

Hoshizaki America, Inc.

Self-Contained Flaker

Model
F-330BAH(-C)



“A Superior Degree
of Reliability”

www.hoshizaki.com

INSTRUCTION MANUAL



Issued: 5-4-2007
Revised: 1-15-2013

WARNING

Only qualified service technicians should install and service the appliance. To obtain the name and phone number of your local Hoshizaki Certified Service Representative, visit www.hoshizaki.com. No installation or service should be undertaken until the technician has thoroughly read this Instruction Manual. Likewise, the owner/manager should not proceed to operate the appliance until the installer has instructed them on its proper operation. Failure to install, operate, and maintain the appliance in accordance with this manual will adversely affect safety, performance, component life, and warranty coverage and may result in costly water damage. Proper installation is the responsibility of the installer. Product failure or property damage due to improper installation is not covered under warranty.

Hoshizaki provides this manual primarily to assist qualified service technicians in the installation, maintenance, and service of the appliance.

Should the reader have any questions or concerns which have not been satisfactorily addressed, please call, send an e-mail message, or write to the Hoshizaki Technical Support Department for assistance.

Phone: 1-800-233-1940; (770) 487-2331

Fax: 1-800-843-1056; (770) 487-3360

E-mail: techsupport@hoshizaki.com

HOSHIZAKI AMERICA, INC.

618 Highway 74 South

Peachtree City, GA 30269

Attn: Hoshizaki Technical Support Department

NOTE: To expedite assistance, all correspondence/communication **MUST** include the following information:

- Model Number _____
- Serial Number _____
- Complete and detailed explanation of the problem.

IMPORTANT

This manual should be read carefully before the appliance is installed and operated. Read the warnings and guidelines contained in this manual carefully as they provide essential information for the continued safe use and maintenance of the appliance. Retain this manual for any further reference that may be necessary.

CONTENTS

I. Specifications.....	4
A. Nameplate Rating	4
B. Dimensions/Connections	5
II. Installation and Operating Instructions	6
A. Checks Before Installation.....	6
B. How to Remove Panels	6
C. Location	7
D. Setup.....	7
E. Electrical Connection	7
F. Water Supply and Drain Connections	7
G. Final Checklist	9
H. Startup	10
III. Cleaning and Maintenance	11
A. Cleaning and Sanitizing Instructions	11
1. Cleaning Solution	11
2. Cleaning Procedure	11
3. Sanitizing Solution	13
4. Sanitizing Procedure - Initial	13
5. Sanitizing Procedure - Final	13
B. Maintenance	15
C. Preparing the Icemaker for Long Storage	16
IV. Disposal	17

I. Specifications

A. Nameplate Rating

1. F-330BAH, F-330BAH-C

HOSHIZAKI ICE MAKER	
MODEL NUMBER	F-330BAH
SERIAL NUMBER	
AC SUPPLY VOLTAGE	115/60/1
AMPERES	6.7 AMPS
DESIGN PRESSURE	HI-470PSI LO-230PSI
REFRIGERANT	404A 7.1 OZ.

**MOTOR-COMPRESSOR THERMALLY PROTECTED,
NOT INTENDED FOR OUTDOOR USE!**

Hoshizaki America, Inc.
Peachtree City, GA
www.hoshizaki.com

**For certification marks, see the nameplate
on the rear panel.**

Note: Only the "MODEL NUMBER" is replaced for F-330BAH-C.

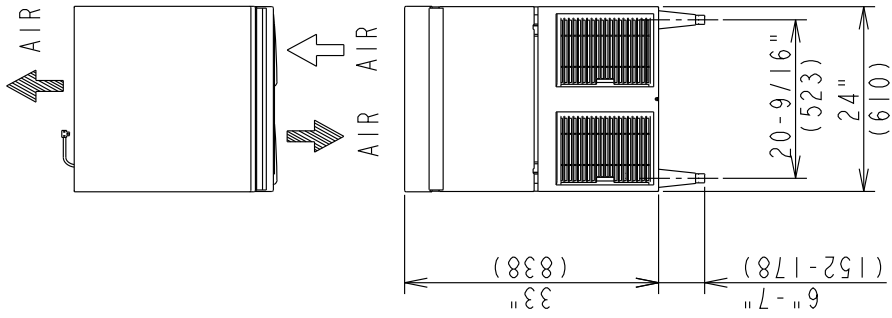
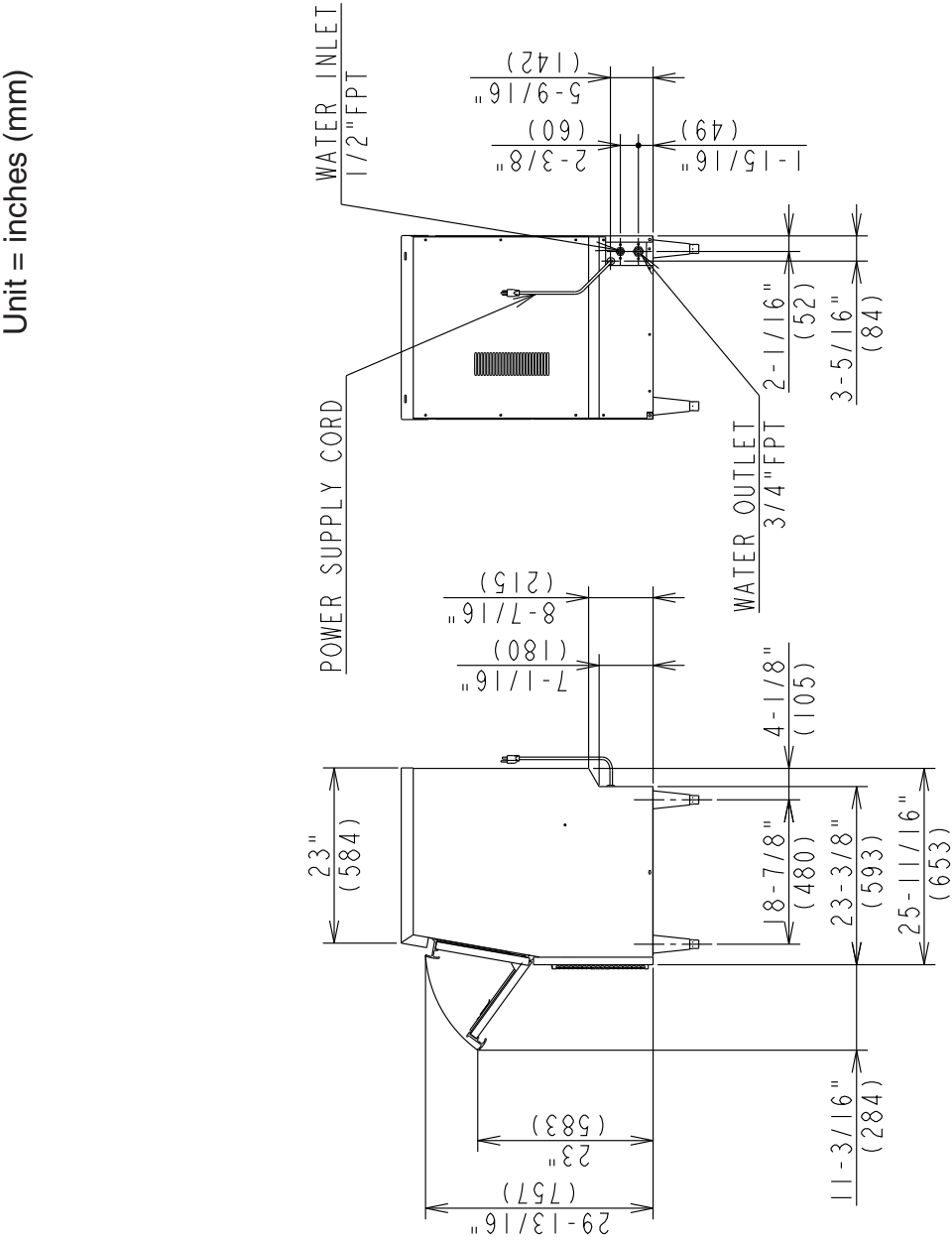
See the nameplate for electrical and refrigeration specifications. This nameplate is located on the rear panel.

We reserve the right to make changes in specifications and design without prior notice.

B. Dimensions/Connections

1. F-330BAH, F-330BAH-C

Unit = inches (mm)



II. Installation and Operating Instructions

A. Checks Before Installation

IMPORTANT

1. Install in accordance with all applicable national, state, and local regulations.
2. Remove shipping carton, tape, and packing. If any are left in the icemaker, it will not work properly.
3. Ensure all components, fasteners, and thumbscrews are securely in place after installation.

- Remove the top panel and front panel to prevent damage when installing the icemaker.
- Remove the package containing the accessories.
- Remove the protective plastic film from the panels. If the icemaker is exposed to the sun or to heat, remove the film after the icemaker cools.
- Check that the refrigerant lines do not rub or touch lines or other surfaces, and that the fan blade turns freely.
- Check that the compressor is snug on all mounting pads.
- See the nameplate on the rear panel, and check that your voltage supplied corresponds with the voltage specified on the nameplate.

B. How to Remove Panels

See Fig. 1

- Front Panel: Remove the screw. Lift up and towards you.
- Top Panel: Open the door. Remove the screws. Lift up at the front slightly, push rearward, and lift off.

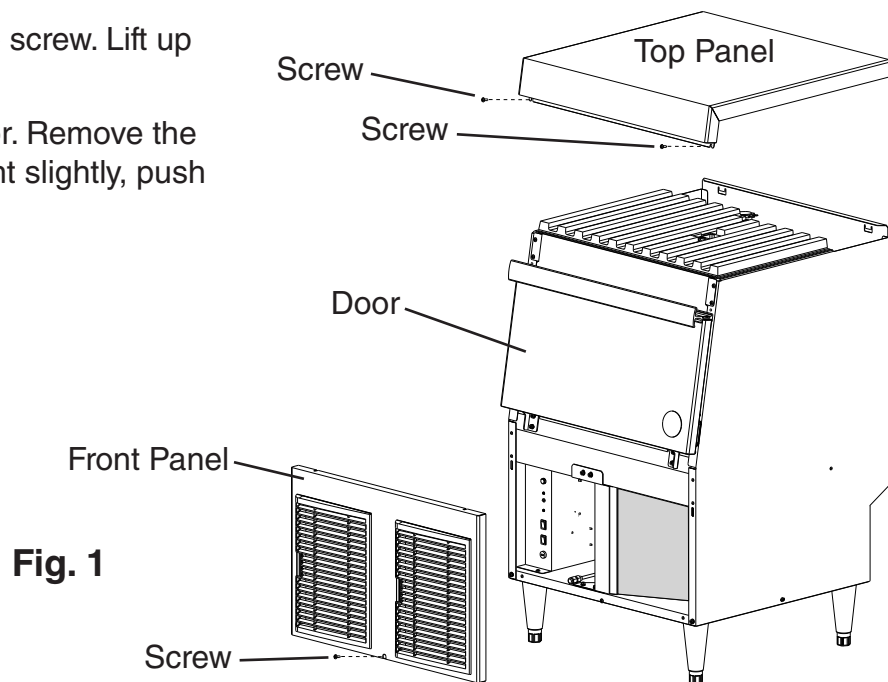


Fig. 1

C. Location

CAUTION

This icemaker is not intended for outdoor use. Normal operating ambient temperature should be within +45°F to +100°F (+7°C to +38°C); Normal operating water temperature should be within +45°F to +90°F (+7°C to +32°C). Operation of the icemaker, for extended periods, outside of these normal temperature ranges may affect icemaker performance.

For best operating results:

- Icemaker should not be located next to ovens, grills or other high heat producing equipment.
- Location should provide a firm and level foundation for the equipment.
- Allow 24" (61 cm) clearance at top to allow for removal of the auger and for ease of maintenance and/or service should they be required.

D. Setup

- 1) Attach the four adjustable legs provided to the bottom of the icemaker.
- 2) Position the icemaker in the selected permanent location.
- 3) Level the icemaker from side-to-side and front-to-rear by adjusting the legs.

E. Electrical Connection

WARNING

The GREEN ground wire in the factory-installed power cord is connected to a screw on the bracket where the cord enters the machine. If it becomes necessary to remove or replace the power cord, be sure to connect the power cord's ground wire to this screw upon reattachment.

- Electrical connections must be installed in accordance with applicable national, state and local regulations.
- The unit requires an independent power supply. See the nameplate for proper voltage and breaker/fuse size.
- Usually an electrical permit and services of a licensed electrician are required.

F. Water Supply and Drain Connections

- This icemaker must be installed in accordance with applicable national, state, and local regulations.
- A plumbing permit and services of a licensed plumber may be required in some areas.
- External filters, strainers, or softeners may be required depending on water quality. Contact your local Hoshizaki Certified Service Representative for recommendations.
- Water supply pressure should be a minimum of 10 PSIG and a maximum of 113 PSIG. If the pressure exceeds 113 PSIG, the use of a pressure reducing valve is required.

- Water supply inlet is 1/2" female pipe thread (FPT).
- A minimum of 1/4" nominal ID copper water tubing or equivalent is required for the icemaker water supply line. An icemaker water supply line shut-off valve and drain valve must be installed. Be sure there is sufficient extra water supply line for the unit to be pulled out for service.
- Icemaker drain outlet is 3/4" FPT. A minimum of 3/4" nominal ID hard pipe or equivalent is required for the icemaker drain line. Be sure there is sufficient extra drain line for the unit to be pulled out for service.
- Drain line must have 1/4" fall per foot (2 cm per 1 m) on horizontal runs to get good flow. A vented tee connection is also required for proper flow.
- Drain line should not be piped directly to the sewer system. An air gap of a minimum of 2 vertical inches (5 cm) should be between the end of the drain pipe from the unit and the floor drain.

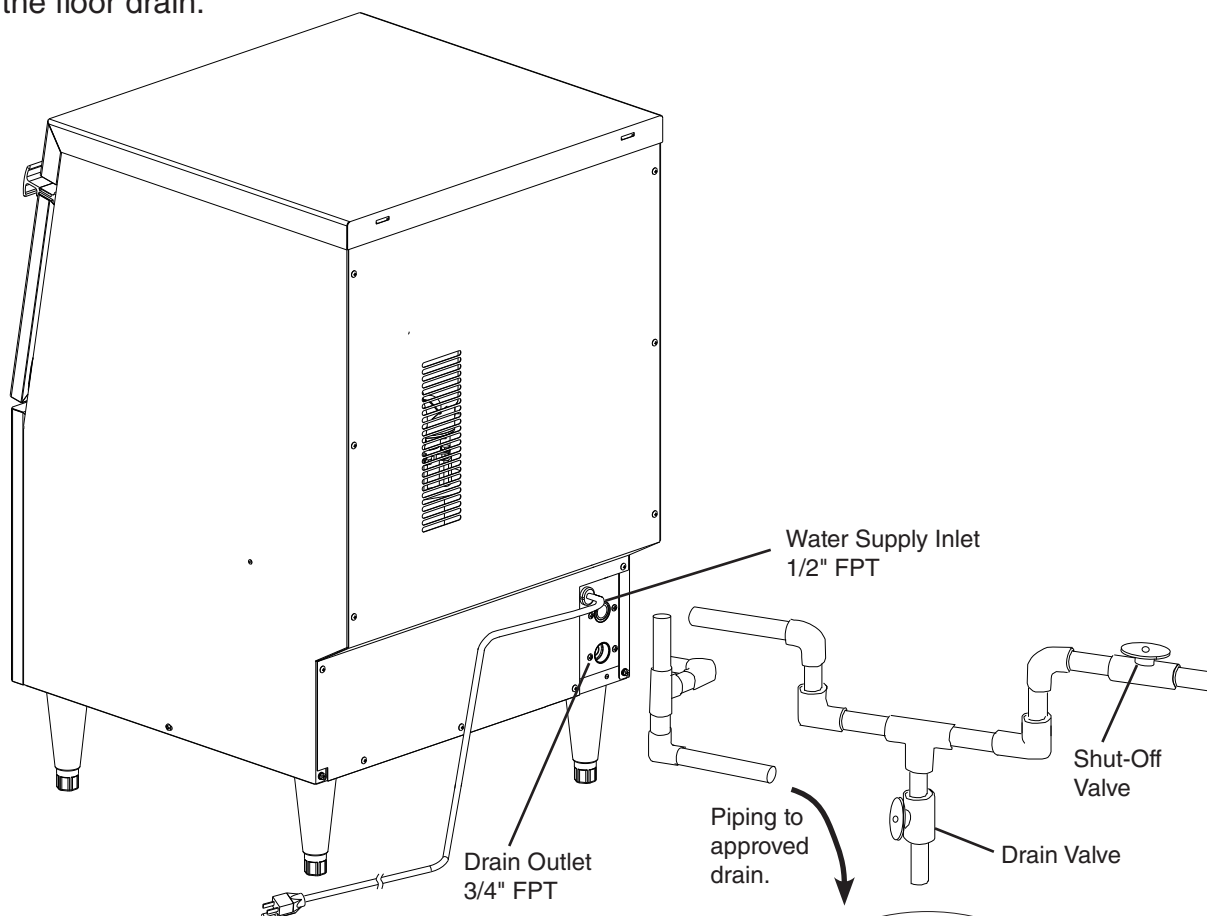


Fig. 2

G. Final Checklist

- 1) Is the icemaker level?
- 2) Is the icemaker in a site where the ambient temperature is within +45°F to +100°F (+7°C to +38°C) and the water temperature within +45°F to +90°F (+7°C to +32°C) all year around?
- 3) Is there at least 24" (61 cm) clearance at top for maintenance or service?
- 4) Have the shipping carton and all tape and packing been removed from the icemaker?
- 5) Are all components, fasteners, and thumbscrews securely in place?
- 6) Have all electrical and piping connections been made?
- 7) Has the power supply voltage been checked or tested against the nameplate rating? And has a proper ground been installed to the icemaker?
- 8) Are the water supply line shut-off valve and drain valve installed? Has the water supply pressure been checked to ensure a minimum of 10 PSIG and a maximum of 113 PSIG?
Note: The icemaker may stop running when the water supply is OFF, or if the pressure is below 10 PSIG. When the proper water pressure is reached, the icemaker will automatically start running again.
- 9) Are the compressor hold-down bolts snug? Have the refrigerant lines been checked to make sure they do not rub or touch other lines or surfaces?
- 10) Has the bin control switch been checked for correct operation? Move the actuator located on the inside of the bin top panel. The compressor should stop within 90 seconds, and the gear motor within 150 seconds.
- 11) Has the end user been given the instruction manual, and instructed on how to operate the icemaker and the importance of the recommended periodic maintenance?
- 12) Has the end user been given the name and telephone number of an authorized service agent?
- 13) Has the warranty tag been filled out and forwarded to the factory for warranty registration?

H. Startup

CAUTION

1. All parts are factory-adjusted. Improper adjustments may result in failure.
2. If the unit is turned off, wait for at least 3 minutes before restarting the icemaker to prevent damage to the compressor.

- 1) Clean the storage bin.
- 2) Open the water supply line shut-off valve.
- 3) Make sure the power switch on the control box is in the "OFF" position. Plug the unit into the electrical outlet.
- 4) Move the control switch to the "ICE" position and move the power switch to the "ON" position to start the automatic icemaking process.
- 5) Replace the panels in their correct positions.

III. Cleaning and Maintenance

A. Cleaning and Sanitizing Instructions

IMPORTANT

Ensure all components, fasteners, and thumbscrews are securely in place after any maintenance or cleaning is done to the equipment.

WARNING

1. Hoshizaki recommends cleaning this unit at least twice a year. More frequent cleaning, however, may be required in some existing water conditions.
2. To prevent injury to individuals and damage to the icemaker, do not use ammonia type cleaners.
3. Carefully follow any instructions provided with the bottles of cleaning and sanitizing solution.
4. Always wear liquid-proof gloves to prevent the cleaning and sanitizing solutions from coming into contact with skin.
5. Never run the icemaker when the reservoir is empty.
6. After cleaning, do not use ice made from the cleaning and sanitizing solutions. Be careful not to leave any solution in the storage bin.

1. Cleaning Solution

Dilute 4.8 fl. oz. (142 ml) of Hoshizaki "Scale Away" with 0.8 gallons (3 l) of warm water. This is a minimum amount. Make more solution if necessary.

IMPORTANT

For safety and maximum effectiveness, use the solution immediately after dilution.

2. Cleaning Procedure

- 1) Close the water supply line shut-off valve.
- 2) Remove the panels. Move the power switch to the "OFF" position and unplug the unit from the electrical outlet.
- 3) Remove all ice from the storage bin.
- 4) Plug the unit back in. Move the control switch to the "DRAIN" position and move the power switch to the "ON" position to drain out the water from the icemaker.
- 5) After the water has drained, move the power switch to the "OFF" position. Unplug the unit.

- 6) Lift up the top insulation and unsnap the bin control assembly. Lift the assembly up through the insulation and set it aside. See Fig. 3.
- 7) Remove the top insulation.

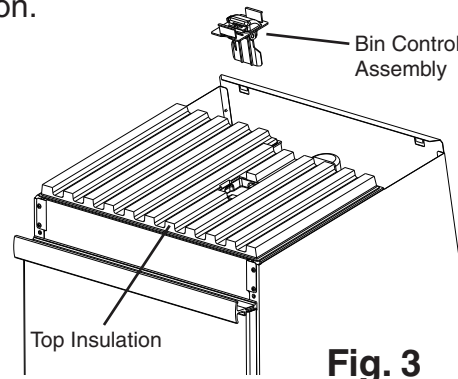


Fig. 3

- 8) Remove the thumbscrews attaching spout (B) to the bin, then remove spout (B). See Fig. 4.
- 9) Remove the thumbscrews attaching spout (A) to the evaporator assembly, then remove spout (A).

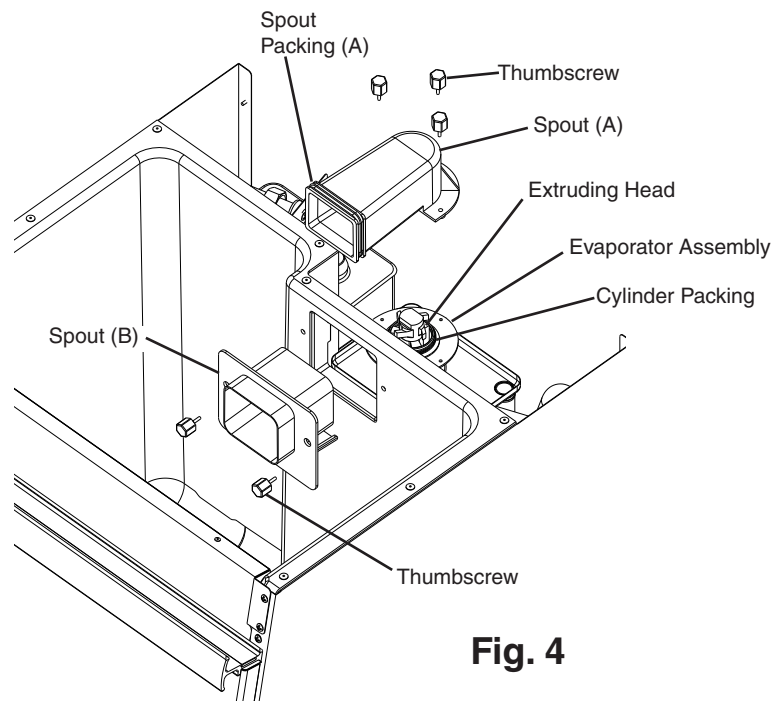


Fig. 4

- 10) Pour the cleaning solution over the extruding head until the evaporator assembly and the reservoir are full and the solution starts to overflow into the drain pan.
 Note: If there is excess scale on the extruding head, fill the evaporator assembly and reservoir as described above, then use a clamp on the reservoir hose between the reservoir and evaporator assembly to block flow. Pour additional cleaning fluid over the extruding head until the evaporator assembly is completely full.
- 11) Allow the icemaker to sit for about 10 minutes before operation. If you placed a clamp on the reservoir hose in step 10, remove it before operation.
- 12) Replace all parts in their correct positions.

- 13) Plug the unit back in. Move the control switch to the "ICE" position and move the power switch to the "ON" position. Replace the panels in their correct positions and allow the unit to make ice using the solution until it stops automatically.

Note: This unit is designed to start operating when the water reservoir is full.

- 14) Remove the front panel.

- 15) Move the control switch to the "DRAIN" position to drain the remainder of the solution.

- 16) After the solution has drained, move the control switch to the "ICE" position.

- 17) Replace the front panel in its correct position.

- 18) Open the water supply line shut-off valve to supply water to the reservoir.

- 19) When the gear motor starts, remove the front panel and move the control switch to the "DRAIN" position to drain out the water from the icemaker.

- 20) After the water has drained, move the power switch to the "OFF" position and unplug the unit.

Note: If you do not sanitize the icemaker, leave the unit plugged in with the power switch in the "ON" position and go to step 18 in "5. Sanitizing Procedure - Final."

3. Sanitizing Solution

Dilute 2.5 fl. oz. (74 ml or 5 tbs) of a 5.25% sodium hypochlorite solution (chlorine bleach) with 5 gallons (19 l) of warm water.

IMPORTANT

For safety and maximum effectiveness, use the solution immediately after dilution.

4. Sanitizing Procedure - Initial

- 1) Close the water supply line shut-off valve.
- 2) Remove the top panel. Remove the bin control assembly from the top insulation and set it aside. Remove the top insulation.
- 3) Remove the thumbscrews attaching spout (B) to the bin, then remove spout (B).
- 4) Remove the thumbscrews attaching spout (A) to the evaporator assembly, then remove spout (A). Remove spout packing (A) and the cylinder packing. See Fig. 4.
- 5) Pour the sanitizing solution over the extruding head until the evaporator assembly and the reservoir are filled and the solution starts to overflow into the drain pan.
- 6) Lift up slightly on the clip securing the bin control switch to the paddle assembly and slide the switch out. See Fig. 5.
- 7) Soak the spouts, packings and paddle assembly in the sanitizing solution for 10 minutes then wipe them down.
- 8) Rinse the parts thoroughly, then replace all parts in their correct positions.
- 9) Plug the unit back in. Move the control switch to the "ICE" position and move the power switch to the "ON" position. Replace the panels in their correct positions and allow the unit to make ice using the solution until it stops automatically.

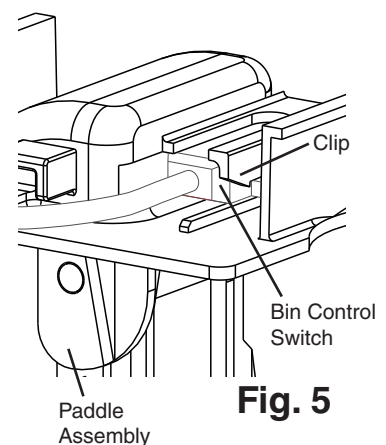


Fig. 5

5. Sanitizing Procedure - Final

- 1) Remove the front panel.
- 2) Move the control switch to the "DRAIN" position to drain the remainder of the solution.
- 3) After the solution has drained, move the power switch to the "OFF" position and unplug the unit.
- 4) Remove the top panel.
- 5) Remove the bin control assembly from the top insulation and set it aside. Remove the top insulation.
- 6) Remove the thumbscrews attaching spout (B) to the bin, then remove spout (B).
- 7) Remove the thumbscrews attaching spout (A) to the evaporator assembly, then remove spout (A).
- 8) Pour the sanitizing solution over the extruding head until the evaporator assembly and the reservoir are filled and the solution starts to overflow into the drain pan.
- 9) Allow the icemaker to sit for about 10 minutes before operation.
- 10) Replace all parts in their correct positions.
- 11) Plug the unit back in. Move the control switch to the "ICE" position and move the power switch to the "ON" position. Replace the panels in their correct positions and allow the unit to make ice using the solution until it stops automatically.
- 12) Remove the front panel.
- 13) Move the control switch to the "DRAIN" position to drain the remainder of the solution.
- 14) After the solution has drained, move the control switch to the "ICE" position.
- 15) Replace the front panel in its correct position.
- 16) Open the water supply line shut-off valve to supply water to the reservoir.
- 17) When the gear motor starts, remove the front panel and move the control switch to the "DRAIN" position to drain out the water from the icemaker.
- 18) After the water has drained, move the control switch to the "ICE" position and allow the icemaker to run. Replace the front panel in its correct position.
- 19) After 30 minutes, remove the front panel and move the power switch to the "OFF" position. Unplug the unit.
- 20) Pour warm water into the storage bin to melt all ice, then clean the bin liner with the solution.
- 21) Rinse out any solution from the storage bin.
- 22) Plug the unit back in. Move the power switch to the "ON" position to start the automatic icemaking process.
- 23) Replace the front panel in its correct position.

B. Maintenance

IMPORTANT

1. This icemaker must be maintained individually, referring to the instruction manual and labels provided with the icemaker.
2. To achieve optimum icemaker performance, the following parts need periodic inspection and maintenance:

Extruding Head and Upper Bearing
Housing and Lower Bearing
Evaporator Cylinder
Auger
Gear Motor
Mechanical Seal

These parts should be inspected at least once a year or every 10,000 hours of operation. Their service life, however, depends on water quality and environment. More frequent inspection and maintenance are recommended in bad or severe water conditions.

Replacement of the following consumable parts is recommended if wear exceeds factory recommendations:

Upper Bearing
Lower Bearing
Mechanical Seal

Consult with your local distributor about inspection and maintenance service. To obtain the name and phone number of your local distributor, call Hoshizaki Technical Support at 1-800-233-1940 in the USA.

1. Stainless Steel Exterior

To prevent corrosion, wipe the exterior occasionally with a clean and soft cloth. Use a damp cloth containing a neutral cleaner to wipe off oil or dirt build up.

2. Storage Bin and Scoop

- Wash your hands before removing ice. Use the plastic scoop provided (bin accessory).
- The storage bin is for ice use only. Do not store anything else in the bin.
- Keep the scoop clean. Clean using a neutral cleaner and rinse thoroughly.
- Clean the bin liner using a neutral cleaner. Rinse thoroughly after cleaning.

3. Air Filters

Plastic mesh air filters remove dirt or dust from the air, and keep the condenser from getting clogged. As the filters get clogged, the icemaker's performance will be reduced. Check the filters at least twice a month. When clogged, use warm water and a neutral cleaner to wash the filters.

4. Condenser

Check the condenser once a year, and clean if required by using a brush or vacuum cleaner. More frequent cleaning may be required depending on the location of the icemaker.

C. Preparing the Icemaker for Long Storage

CAUTION

When the icemaker is not used for two or three days under normal conditions, it is sufficient to only move the power switch to the "OFF" position. When storing the icemaker for extended time or in sub-freezing temperatures, turn the water off and drain out all water from the water lines and remove the ice from the bin. The bin should be cleaned and dried. Drain the icemaker water hoses using air or carbon dioxide to prevent damage at sub-freezing temperatures.

- 1) Run the icemaker with the potable water supply line shut-off valve closed. Allow the unit to make ice until it stops automatically.
- 2) Open the potable water supply line drain valve and blow the line out using compressed air or carbon dioxide.
- 3) Remove the front panel and move the control switch to the "DRAIN" position to drain out the remaining water from the icemaker.
- 4) After the water has drained, move the power switch to the "OFF" position and unplug the unit.
- 5) Replace the front panel in its correct position.
- 6) Close the potable water supply line drain valve.
- 7) Remove all ice from the storage bin and clean the bin.

IV. Disposal

The icemaker contains refrigerant and must be disposed of in accordance with applicable national, state, and local codes and regulations. Refrigerant must be recovered by properly certified service personnel.

HOSHIZAKI AMERICA, INC.

618 Hwy. 74 S., Peachtree City, GA 30269 USA | TEL (770) 487-2331 | FAX (770) 487-3360 | www.hoshizaki.com | 1A2757-010