



HOSHIZAKI

Parts List

Modular Flaker
Serenity Series

FS-100 IMLH-C



hoshizakiamerica.com

Number: 71233
Issued: 5-23-2005
Revised: 5-17-2017

CONTENTS

| | |
|--|----|
| Auxiliary Codes..... | 3 |
| Note About Ordering Parts | 3 |
| A. Main Assembly & Refrigeration Circuit | 4 |
| B. Icemaking Unit..... | 7 |
| C. Water Circuit..... | 9 |
| D. Control Box Assembly..... | 11 |
| E. Accessories & Labels | 13 |

Auxiliary Codes

FS-1001MLH-C

| | |
|-----|----------------|
| P-0 | July 2004 |
| Q-0 | July 2005 |
| S-0 | February 2007 |
| T-0 | April 2008 |
| T-1 | October 2008 |
| U-0 | January 2009 |
| U-1 | December 2009 |
| V-0 | January 2010 |
| V-1 | February 2010 |
| V-2 | October 2010 |
| V-3 | November 2010 |
| A-0 | January 2011 |
| B-0 | January 2012 |
| B-1 | November 2012 |
| C-0 | January 2013 |
| D-0 | January 2014 |
| D-1 | September 2014 |
| E-0 | April 2015 |
| F-0 | February 2016 |
| F-1 | May 2016 |
| G-0 | February 2017 |

Auxiliary Code Breakdown

The auxiliary code is the first two characters in the serial number. The first character indicates the year. Years progress or regress in alphabetical order. The series runs from "A" through "V" and the letters "I" and "O" are skipped. The second character indicates significant part changes within a year. Base is "0" and this number advances for each change. In cases where there is a letter in parentheses, this designates the month. This is the last character in the serial number. The series runs from "(A)" through "(M)" and the letter "(I)" is skipped. This designation is only included when identifying a parts change within an auxiliary code.

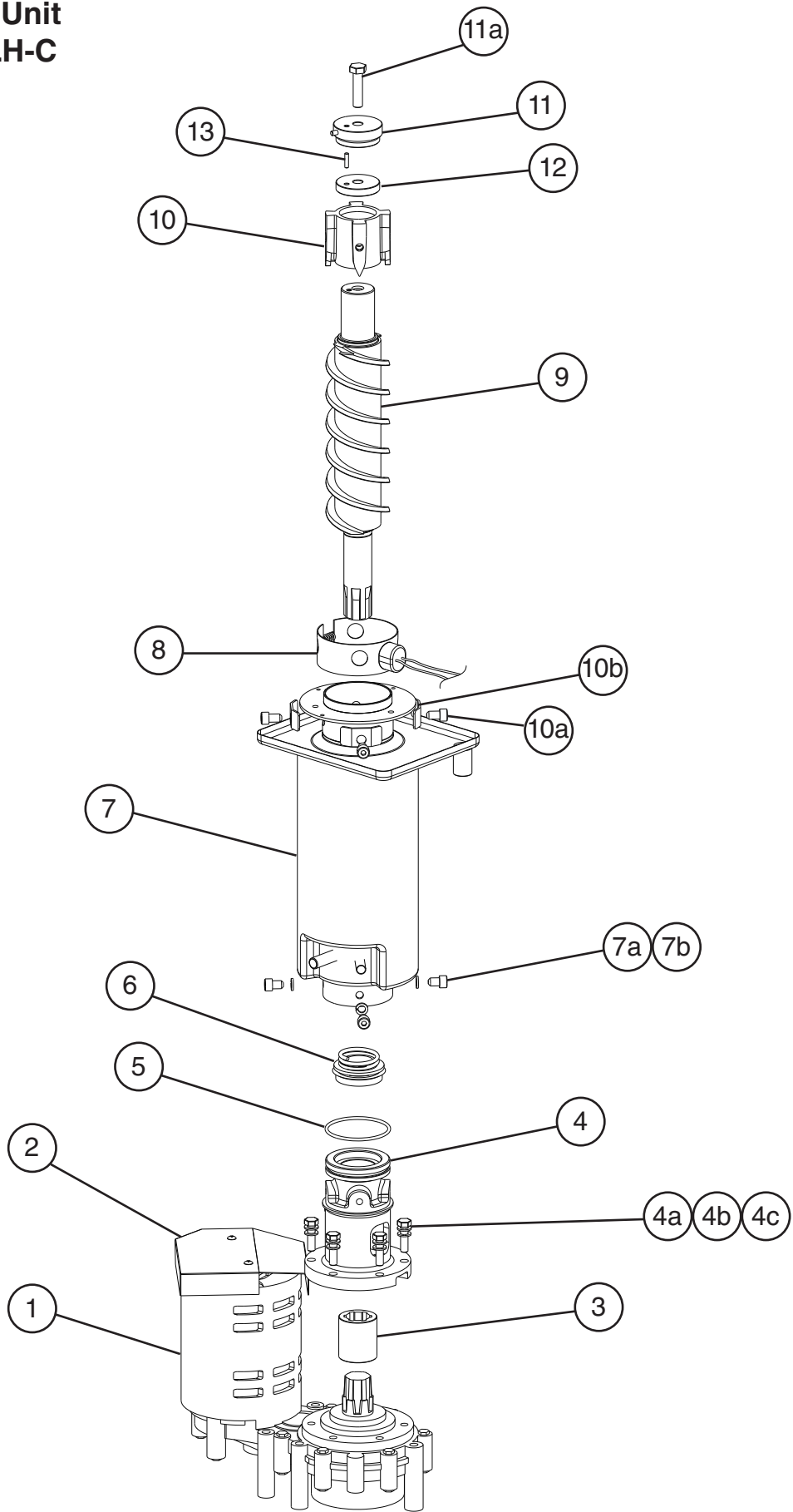
Note About Ordering Parts

Most assemblies cannot be ordered as complete units; parts in the assemblies generally must be ordered separately.

| Title: A. Main Assembly & Refrigeration Circuit Model: FS-1001MLH-C | | | | | | | | | | | |
|---|--|--------------------------|-------------|--------------------|----------------|------------|--|--|--|--|--|
| Index No. | Description | Material or Model Number | Part Number | Required Number | | | | | | | |
| | | | | P-0 (G) to P-0 (L) | P-0 (M) to U-0 | U-1 to G-0 | | | | | |
| Main Assembly | | | | | | | | | | | |
| 1 | Front Panel | | 2A3145-01 | 1 | 1 | 1 | | | | | |
| 2 | Top Panel | | 2A3140-01 | 1 | 1 | 1 | | | | | |
| 3 | Right Side Panel | | 3A3328G01 | 1 | 1 | 1 | | | | | |
| 4 | Left Side Panel | | 3A3329G01 | 1 | 1 | 1 | | | | | |
| 5 | Rear Panel | | 1A2762-01 | 1 | 1 | 1 | | | | | |
| 6 | Control Box Cover | | 4A3675-01 | 1 | 1 | 1 | | | | | |
| 7 | Spout | | 104797-01 | 1 | 1 | 1 | | | | | |
| 7a | Thumbscrew | | 415949G08 | 3 | 3 | 3 | | | | | |
| 8 | O-Ring | | 4A4755-03 | 1 | 1 | 1 | | | | | |
| 9 | Nylon Ring | | 432661-02 | 1 | 1 | 1 | | | | | |
| 10 | Spout-to-Chute Packing | | 321037-01 | 1 | 1 | 1 | | | | | |
| 11 | Upper Strap | | 328703-02 | 1 | 1 | 1 | | | | | |
| 11a | Wing Nut | 6, SS | 7E12-0600 | 2 | 2 | 2 | | | | | |
| 12 | Lower Strap | | 321038G02 | 1 | 1 | 1 | | | | | |
| 13 | Bin Control 1 (infrared sensor) | | 4A3773-01 | 1 | 1 | - | | | | | |
| | | | 4A4469-01 | | | 1 | | | | | |
| 14 | Bin Control 1 Housing (infrared sensor) | | 3A3478-01 | 1 | 1 | 1 | | | | | |
| 14a | Thumbscrew | | 415949G10 | 1 | 1 | 1 | | | | | |
| 15 | Power Cord | | 4A1773-01 | 1 | 1 | 1 | | | | | |
| 16 | Chute | | 2A1919-01 | 1 | 1 | 1 | | | | | |
| 17 | Chute Insulation | | 2A1920-01 | 1 | 1 | 1 | | | | | |
| 18 | Chute Tie | | 436531G01 | 1 | 1 | 1 | | | | | |
| 19 | Chute Packing | | 432877-01 | 1 | 1 | 1 | | | | | |
| 20 | Ring | | 3A1017-01 | 1 | 1 | 1 | | | | | |
| 21 | Chute Baffle A | | 3A0400G01 | 1 | 1 | 1 | | | | | |
| 21a | Wing Nut | 4, SS | 7E12-0400 | 3 | 3 | 3 | | | | | |
| 22 | Chute Baffle B | | 3A0399G01 | 1 | 1 | 1 | | | | | |
| 22a | Wing Nut | 4, SS | 7E12-0400 | 3 | 3 | 3 | | | | | |
| 23 | Actuator | | 436848G01 | 1 | 1 | 1 | | | | | |
| 24 | Shaft | | 436851-01 | 1 | 1 | 1 | | | | | |
| 25 | Snap Pin | | 715S-0005 | 2 | 2 | 2 | | | | | |
| 26 | Plate | | 4A2039-01 | 1 | 1 | 1 | | | | | |
| 26a | Thumbscrew | | 415949G10 | 2 | 2 | 1 | | | | | |
| 27 | Bin Control 2 (proximity switch) | | 4A2033-01 | 1 | 1 | 1 | | | | | |
| 27a | Thumbscrew | | 415949G08 | 2 | 2 | 2 | | | | | |
| 28 | Bin Control 2 Bracket (proximity switch) | | 3A1744G01 | 1 | 1 | 1 | | | | | |

| Title: A. Main Assembly & Refrigeration Circuit Model: FS-1001MLH-C | | | | | | | | | | | | |
|---|--|--------------------------|-------------|--------------------|----------------|------------|--|--|--|--|--|--|
| Index No. | Description | Material or Model Number | Part Number | Required Number | | | | | | | | |
| | | | | P-0 (G) to P-0 (L) | P-0 (M) to U-0 | U-1 to G-0 | | | | | | |
| Refrigeration Circuit | | | | | | | | | | | | |
| 29 | Strainer | | 4A1385-01 | 1 | 1 | 1 | | | | | | |
| 30 | Thermostatic Expansion Valve | | 4A3493-01 | 1 | 1 | 1 | | | | | | |
| 31 | Thermostatic Expansion Valve Cover | | 4A1168-01 | 1 | 1 | 1 | | | | | | |
| 32 | Thermostatic Expansion Valve Bulb Holder | | 3A0112-01 | 1 | 1 | 1 | | | | | | |
| 33 | Liquid Line Valve Body | | 440352-01 | 1 | - | | | | | | | |
| | | | 4A3276-01 | | 1 | 1 | | | | | | |
| 34 | Valve Coil | | 440353-01 | 1 | - | | | | | | | |
| | | | 4A3277-01 | | 1 | 1 | | | | | | |
| 35 | Suction Line Coupling | | 434072-01 | 1 | 1 | 1 | | | | | | |
| 36 | Liquid Line Coupling | | 426554-01 | 1 | 1 | 1 | | | | | | |
| 37 | Drier | | 4A1338-01 | 1 | 1 | 1 | | | | | | |

B. Icemaking Unit
FS-1001MLH-C
P-0 to G-0

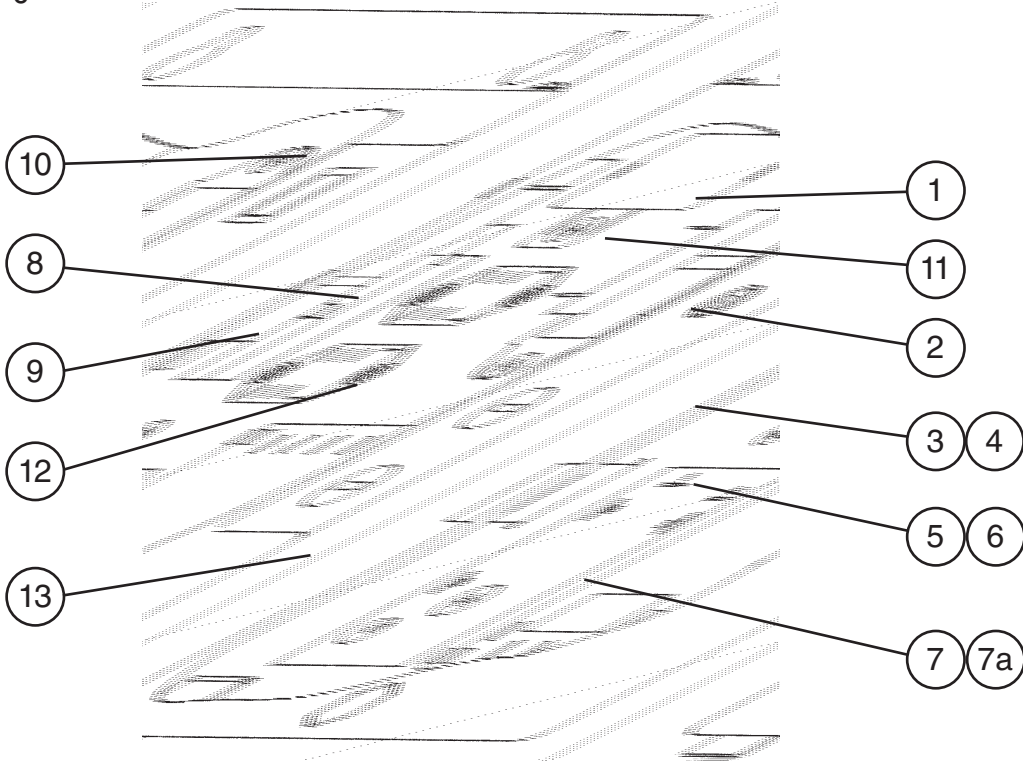


Title: B. Icemaking Unit Model: FS-1001MLH-C

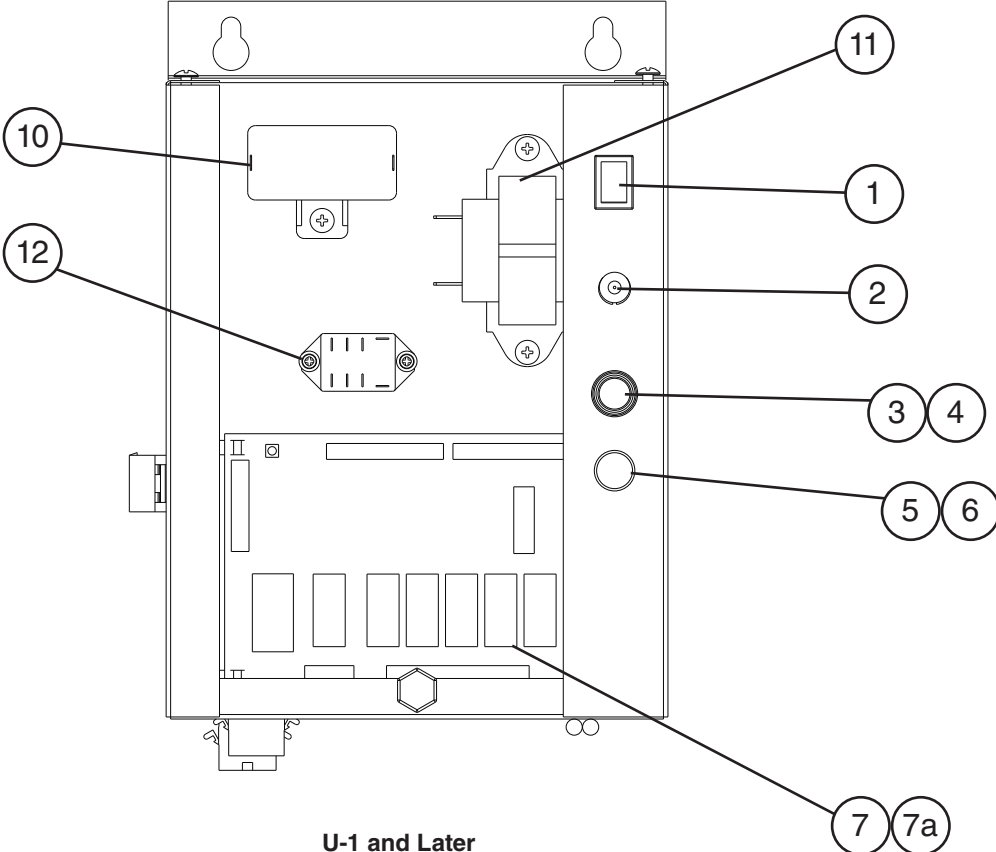
| Index No. | Description | Material or Model Number | Part Number | Required Number | | | | | | | | |
|-----------|-----------------------|--------------------------|-------------|-----------------|----------------|----------------|------------|----------------|----------------|--|--|--|
| | | | | P-0 to T-0 | T-1 to U-0 (D) | U-0 (E) to V-1 | V-1 to V-2 | V-3 to D-0 (D) | D-0 (E) to G-0 | | | |
| 1 | Gear Motor | | 4A2007-01 | 1 | 1 | 1 | 1 | 1 | 1 | | | |
| 2 | Gear Motor Barrier | | 4A3441-01 | 1 | 1 | 1 | 1 | 1 | 1 | | | |
| 3 | Spline Coupling | | 414137-01 | 1 | 1 | 1 | 1 | 1 | 1 | | | |
| 4 | Housing | | 2A1977G01 | 1 | 1 | 1 | 1 | 1 | 1 | | | |
| 4a | Hex Head Bolt | 8x30, SS | 7B02-0830 | 6 | 6 | 6 | 6 | 6 | 6 | | | |
| 4b | Flat Washer | M8, SS | 7W22-0800 | 6 | 6 | 6 | 6 | 6 | 6 | | | |
| 4c | Split Lock Washer | M8, SS | 7L22-0800 | 6 | 6 | 6 | 6 | 6 | 6 | | | |
| 5 | O-Ring | | 7616-G065 | 1 | 1 | - | | | | | | |
| | | | 4A4755-02 | | | 1 | 1 | 1 | 1 | | | |
| 6 | Mechanical Seal | | 432492-01 | 1 | 1 | 1 | 1 | 1 | 1 | | | |
| 7 | Evaporator | | 2A1733G01 | 1 | 1 | 1 | 1 | 1 | 1 | | | |
| 7a | Socket Head Cap Screw | 8x12, SS | 7S12-0812 | 4 | 4 | 4 | 4 | 4 | 4 | | | |
| 7b | Split Lock Washer | M8, SS | 7L22-0800 | 4 | 4 | 4 | 4 | 4 | 4 | | | |
| 8 | Evaporator Heater | | 4A2292-01 | 1 | 1 | 1 | 1 | 1 | 1 | | | |
| 9 | Auger | | 2A2151G03 | 1 | - | | | | | | | |
| | | | 1A1541G02 | | 1 | 1 | - | | | | | |
| | | | 1A2037G02 | | | | 1 | - | | | | |
| | | | 120863G02 | | | | | 1 | 1 | | | |
| 10 | Extruding Head | | 216530G07 | 1 | 1 | 1 | 1 | 1 | 1 | | | |
| 10a | Seal Bolt | M8, SS | P01768-02 | 4 | 4 | 4 | 4 | 4 | 4 | | | |
| 10b | Washer | | 427184-01 | 4 | 4 | 4 | 4 | 4 | 4 | | | |
| 11 | Cutter | | 4A3443G02 | 1 | 1 | 1 | 1 | 1 | - | | | |
| | | | 427183G01 | | | | | | 1 | | | |
| 11a | Hex Head Bolt | 10x40, SS | 7B02-1040 | 1 | 1 | 1 | 1 | 1 | - | | | |
| 12 | Washer | | 4A3418-01 | 1 | 1 | 1 | 1 | 1 | - | | | |
| 13 | Dowel Pin | | 713S-0416 | 1 | 1 | 1 | 1 | 1 | - | | | |

| Title: C. Water Circuit Model: FS-1001MLH-C | | | | | | | | | | | | |
|---|---------------------|--------------------------|-------------|-----------------|--------------------|----------------|------------|---|--|--|--|--|
| Index No. | Description | Material or Model Number | Part Number | Required Number | | | | | | | | |
| | | | | P-0 to Q-0 (J) | Q-0 (K) to S-0 (F) | S-0 (G) to B-0 | B-1 to G-0 | | | | | |
| 1 | Reservoir | | 2A0753-01 | 1 | 1 | 1 | 1 | | | | | |
| 2 | Reservoir Cover | | 214810-01 | 1 | 1 | 1 | 1 | | | | | |
| 3 | Float Switch | | 435490-01 | 1 | 1 | 1 | 1 | | | | | |
| 4 | Reservoir Separator | | 4A1255-01 | 1 | 1 | 1 | 1 | | | | | |
| 5 | Reservoir Inlet | | 4A0869-01 | 1 | 1 | 1 | 1 | | | | | |
| 6 | Water Supply Pipe | | 3A3161G01 | 1 | 1 | 1 | - | | | | | |
| | | | 3A7478G01 | | | | 1 | | | | | |
| 7 | Washer | | 4A0867-01 | 1 | 1 | 1 | 1 | | | | | |
| 8 | Inlet Water Valve | | 4A0865-01 | 1 | 1 | 1 | - | | | | | |
| | | | 4A5309-01 | | | | 1 | | | | | |
| 9 | Silicone Hose | L=575 mm | 7730-1822 | 1 | 1 | 1 | 1 | | | | | |
| 10 | Reservoir Hose | | 4A1165-06 | 1 | 1 | 1 | 1 | | | | | |
| 11 | Vinyl Hose | L=450 mm | 7725-1923 | 1 | 1 | 1 | 1 | | | | | |
| 12 | Drain Fitting | | 4A5527-01 | 1 | 1 | 1 | 1 | | | | | |
| 13 | Vinyl Hose | L=45 mm | 7716-2025 | 1 | 1 | 1 | 1 | | | | | |
| 14 | Vinyl Hose | L=320 mm | 7716-1216 | 1 | - | | | | | | | |
| | Silicone Hose | | 7730I3896 | | 1 | 1 | 1 | | | | | |
| 15 | Drain Valve | | 4A2772-01 | 1 | 1 | 1 | 1 | | | | | |
| 16 | Vinyl Hose | L=65 mm | 7716-0913 | 1 | - | | | | | | | |
| | | L=115 mm | 7716-1216 | | 1 | 1 | - | | | | | |
| | | L=75 mm | 7730I3896 | | | | | 1 | | | | |
| 17 | Elbow | | 4A3671-01 | 1 | 1 | - | | | | | | |
| | | | 4A4316-01 | | | 1 | 1 | | | | | |
| 18 | Reservoir Tube | L=320 mm | 4A3672-01 | 1 | 1 | - | | | | | | |
| | Polyethylene Tube | | 4A4317L01 | | | 1 | 1 | | | | | |
| 19 | Drain Pan Assembly | | 3A3231G01 | 1 | 1 | 1 | 1 | | | | | |
| Clamps | | | | | | | | | | | | |
| | Hose Clamp | 17-21 mm | 4A2017-05 | 1 | 1 | 1 | 1 | | | | | |
| | Hose Clamp | 22-25 mm | 4A2017-09 | 5 | 5 | 5 | 1 | | | | | |
| | Hose Clamp | 14-15 mm | 4A2017-08 | 2 | 2 | 2 | 4 | | | | | |

D. Control Box Assembly
FS-1001MLH-C
 P-0 to G-0



P-0 to U-0



U-1 and Later

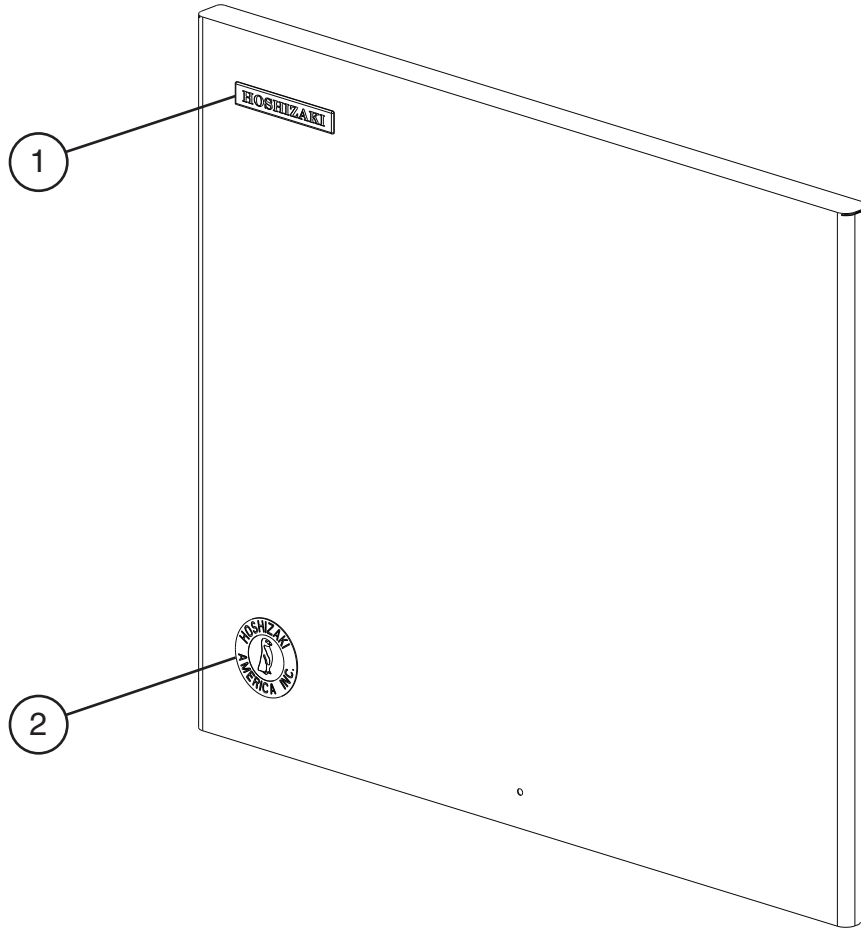
Title: D. Control Box Assembly Model: FS-1001MLH-C

| Index No. | Description | Material or Model Number | Part Number | | | | | | | | | | |
|-----------|---|--------------------------|-------------|----------------|----------------|------------|------------|--|--|--|--|--|--|
| | | | | P-0 to Q-0 (J) | Q-0 (K) to U-0 | U-1 to V-3 | A-0 to G-0 | | | | | | |
| 1 | Rocker Switch (flush) (control) | | 4A0558-01 | 1 | 1 | 1 | 1 | | | | | | |
| 2 | Toggle Switch (power) | | 4A2332-01 | 1 | 1 | 1 | 1 | | | | | | |
| 3 | Fuse Holder | | 4A0892-01 | 1 | 1 | 1 | - | | | | | | |
| | | | 4A5443-01 | | | | 1 | | | | | | |
| 4 | Control Board Fuse | AGC-1A, 250VAC | 4A0893-01 | 1 | 1 | 1 | 1 | | | | | | |
| 5 | Fuse Holder | | 4A3449-02 | 1 | 1 | 1 | 1 | | | | | | |
| 6 | Gear Motor Fuse | GMD-3A, 250VAC Slow Blow | 4A0893-06 | 1 | 1 | 1 | 1 | | | | | | |
| 7 | Control Board | | 437305-01 | 1 | 1 | - | | | | | | | |
| | F-C Control Board | | 2A8054-01 | | | 1 | 1 | | | | | | |
| 7a | Control Board Support | | 4A0336-03 | 4 | 4 | 4 | 4 | | | | | | |
| 8 | Water Control Relay | | 406132-03 | 1 | 1 | - | | | | | | | |
| 9 | Drain Timer | | 4A2157-01 | 1 | 1 | - | | | | | | | |
| 10 | Gear Motor Capacitor | 24MFD, 250VAC | 4A2273-01 | 1 | 1 | 1 | 1 | | | | | | |
| 11 | Control Transformer | | 4A0557-01 | 1 | 1 | 1 | 1 | | | | | | |
| 12 | Compressor Control Relay/ Gear Motor Protect Relay | | 406132-07 | 1 | 1 | - | | | | | | | |
| | | | 418271-03 | | | 1 | 1 | | | | | | |
| 13 | Time Delay Relay | | 4A3761-01 | 1 | - | | | | | | | | |
| | | | 4A3940-01 | | 1 | - | | | | | | | |

E. Accessories & Labels

FS-1001MLH-C

P-0 to G-0



| Title: E. Accessories & Labels Model: FS-1001MLH-C | | | | | | | | | | | |
|--|------------------------|--------------------------|-------------|-----------------|--|--|--|--|--|--|--|
| Index No. | Description | Material or Model Number | Part Number | Required Number | | | | | | | |
| | | | | P-0 to G-0 | | | | | | | |
| 1 | Hoshizaki Emblem Label | | 4A0560-01 | 1 | | | | | | | |
| 2 | Penguin Label | | 4A0526-01 | 1 | | | | | | | |
| 3 | Universal Brace | | 4A0363-01 | 2 | | | | | | | |
| 3a | Hex Bolt | | 7B02-0512 | 2 | | | | | | | |