

Hoshizaki America, Inc.

Modular Flaker Serenity Series

Model
FS-1022MLH-C



“A Superior Degree
of Reliability”

www.hoshizaki.com

PARTS LIST



Number: 71320
Issued: 3-16-2011
Revised: 10-9-2014

CONTENTS

Auxiliary Codes.....	3
Note About Ordering Parts	3
A. Main Assembly & Refrigeration Circuit	4
B. Icemaking Unit	7
C. Water Circuit.....	10
D. Control Box Assembly.....	12
E. Accessories & Labels	13

Auxiliary Codes

FS-1022MLH-C	A-0	February 2011
	B-1	November 2012
	C-0	April 2013
	D-0	June 2014
	D-1	September 2014

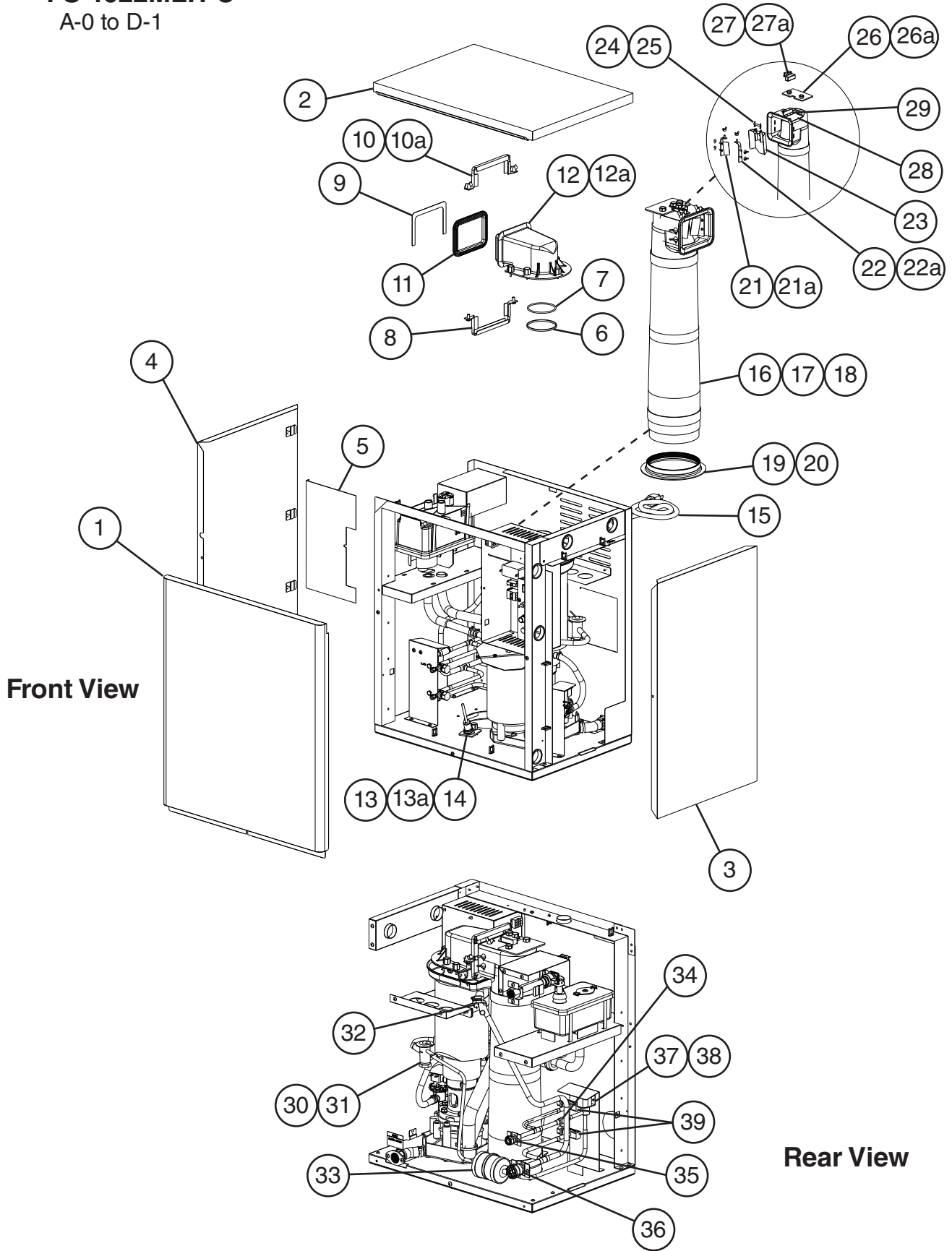
Auxiliary Code Breakdown

The auxiliary code is the first two characters in the serial number. The first character indicates the year. Years progress or regress in alphabetical order. The series runs from "A" through "V" and the letters "I" and "O" are skipped. The second character indicates significant part changes within a year. Base is "0" and this number advances for each change. In cases where there is a letter in parentheses, this designates the month. This is the last character in the serial number. The series runs from "(A)" through "(M)" and the letter "(I)" is skipped. This designation is only included when identifying a parts change within an auxiliary code.

Note About Ordering Parts

Most assemblies cannot be ordered as complete units; parts in the assemblies generally must be ordered separately.

A. Main Assembly & Refrigeration Circuit
FS-1022MLH-C
 A-0 to D-1



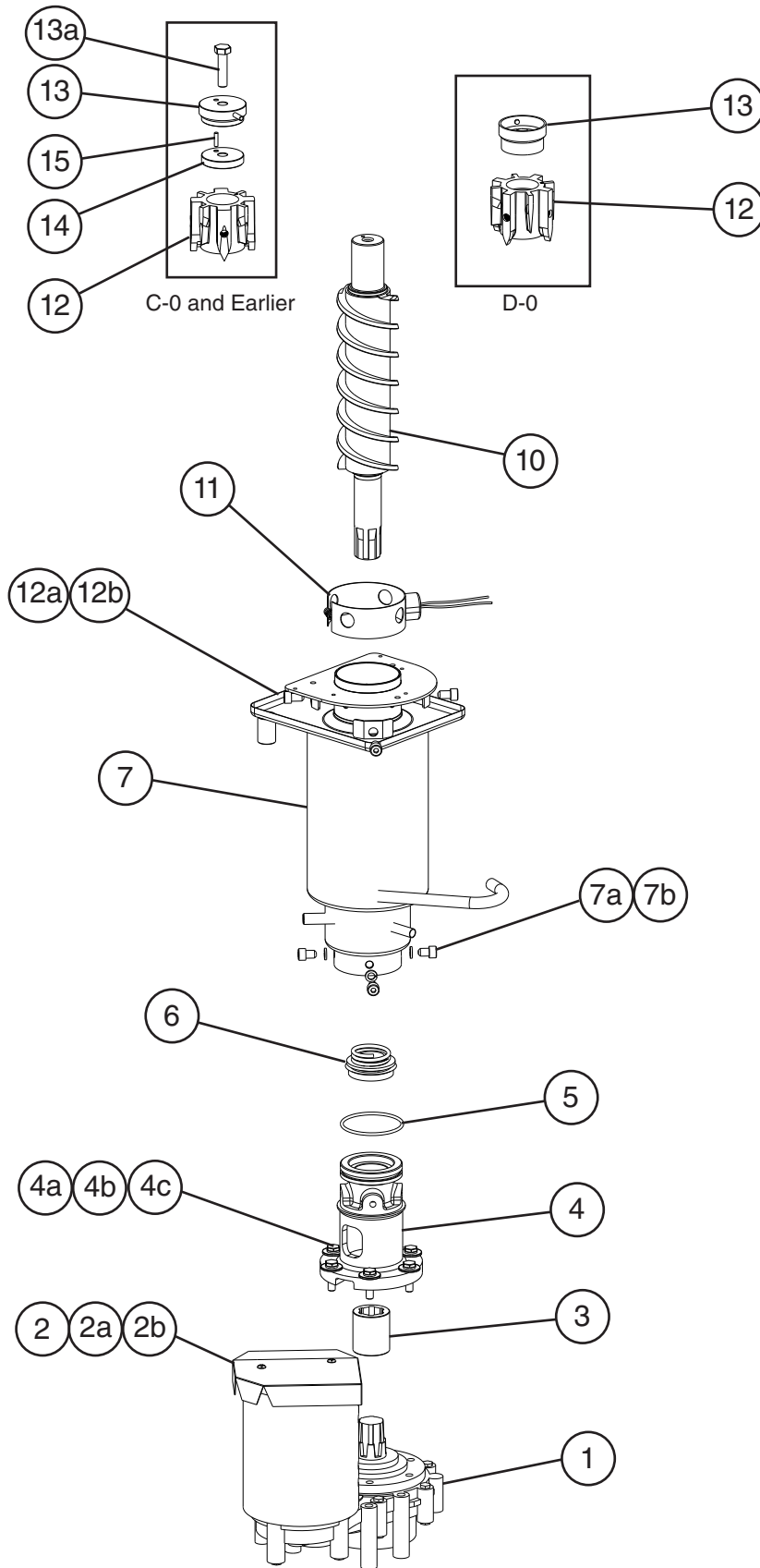
Title: A. Main Assembly & Refrigeration Circuit Model: FS-1022MLH-C												
Index No.	Description	Material or Model Number	Part Number	Required Number								
				A-0 to D-1								
Main Assembly												
1	Front Panel		2A6327-01	1								
2	Top Panel		2A6326-01	1								
3	Right Side Panel		2A6324G01	1								
4	Left Side Panel		2A6325G01	1								
5	Control Box Cover		3A0411-01	1								
6	Nylon Ring		432661-02	1								
7	O-Ring		4A4755-03	1								
8	Lower Spout Strap		321038G02	1								
9	Chute Bracket		4A1712-01	1								
10	Upper Spout Strap		328703-02	1								
10a	Wing Nut		7E12-0600	2								
11	Spout Packing		321037-01	1								
12	Spout		104797-01	1								
12a	Thumbscrew		415949G11	5								
13	Bin Control 1 Housing (infrared sensor)		3A3478-01	1								
13a	Thumbscrew		415949G10	1								
14	Bin Control 1 (infrared sensor)		4A4469-01	1								
15	Power Cord		4A1773-01	1								
16	Chute		2A1919-01	1								
17	Chute Insulation		2A1920-01	1								
18	Tie		436531G01	3								
19	Chute Packing		432877-01	1								
20	Ring		3A1017-01	1								
21	Chute Baffle A		3A0400G01	1								
21a	Wing Nut		7E12-0400	3								
22	Chute Baffle B		3A0399G01	1								
22a	Wing Nut		7E12-0400	3								
23	Actuator		436848G01	1								
24	Shaft		436851-01	1								
25	Snap Pin		715S-0005	2								
26	Plate		4A2039-01	1								
26a	Thumbscrew		415949G10	2								
27	Bin Control 2 (proximity switch)		4A2033-01	1								
27a	Thumbscrew		415949G08	2								
28	Bin Control 2 Bracket (proximity switch)		3A1744G01	1								
29	Ground Screw	4x8, SS	7C23-0408	1								

Title: A. Main Assembly & Refrigeration Circuit Model: FS-1022MLH-C												
Index No.	Description	Material or Model Number	Part Number	Required Number								
				A-0 to D-1								
Refrigeration Circuit												
30	Thermostatic Expansion Valve		4A3493-01	1								
31	Thermostatic Expansion Valve Cover		4A1168-01	1								
32	Thermostatic Expansion Valve Bulb Holder		3A0112-01	1								
33	Drier		4A1338-01	1								
34	Strainer		4A1385-01	1								
35	Suction Line Coupling		426554-01	1								
36	Liquid Line Coupling		434072-01	1								
37	Liquid Line Valve Body		4A3276-01	1								
38	Valve Coil		4A3277-01	1								
39	Service Valve		4A3420-01	2								

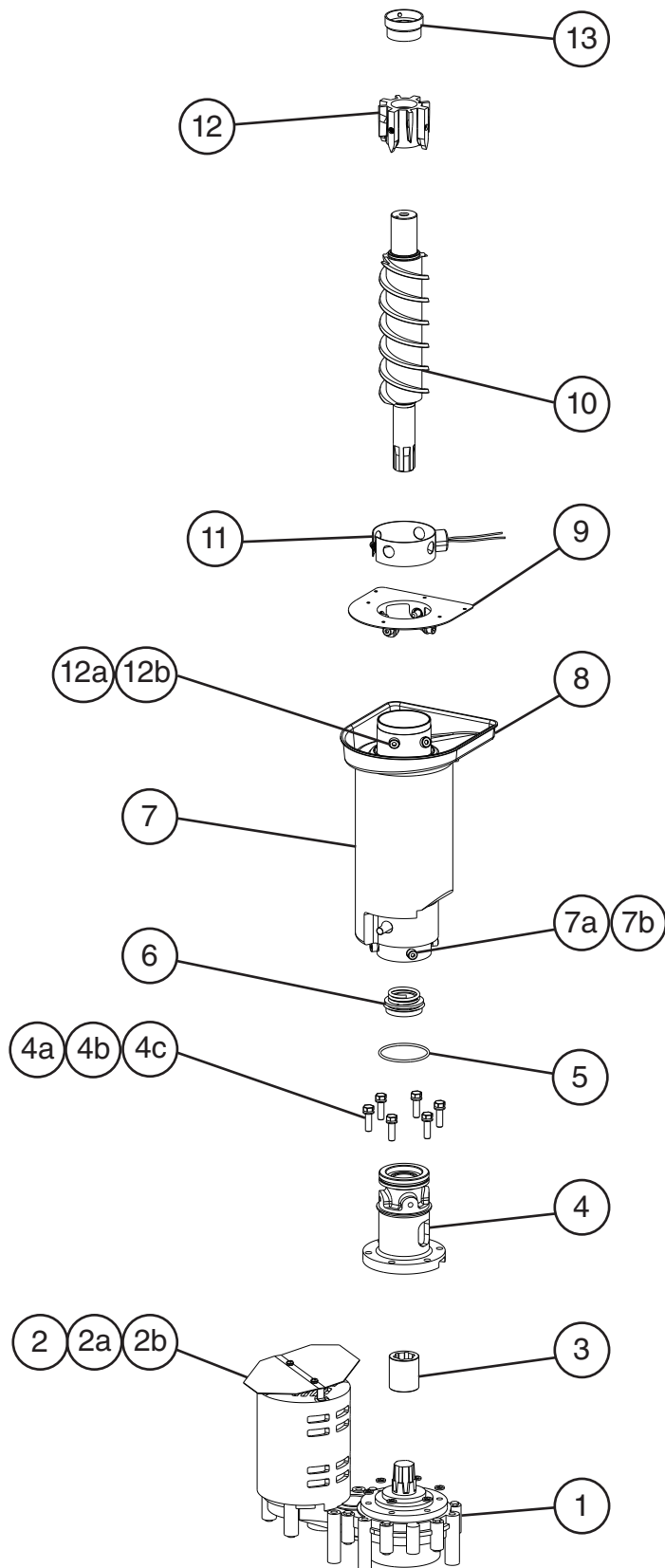
B. Icemaking Unit FS-1022MLH-C

1/2

A-0 to D-0



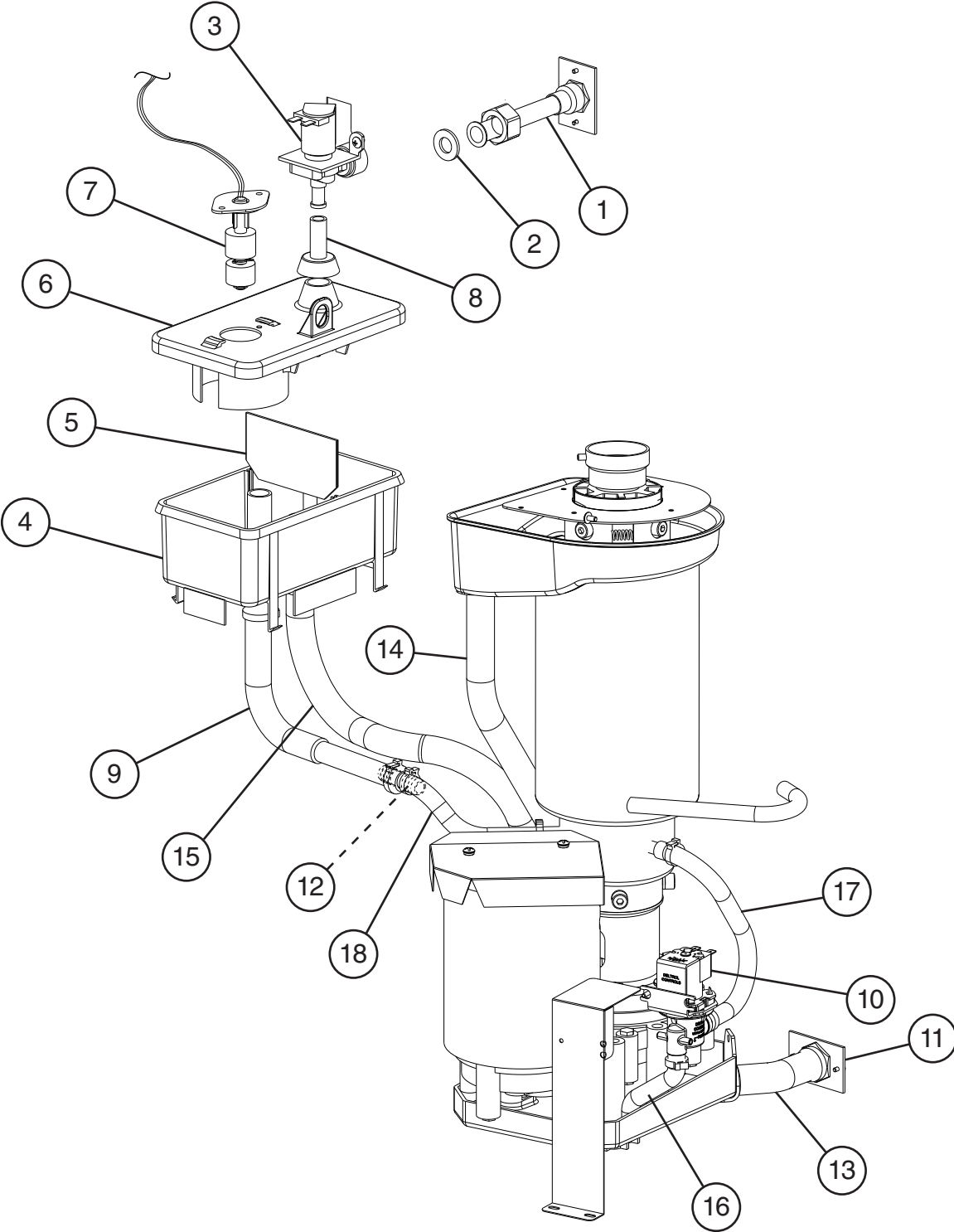
B. Icemaking Unit
FS-1022MLH-C
2/2
D-1



Title: B. Icemaking Unit Model: FS-1022MLH-C

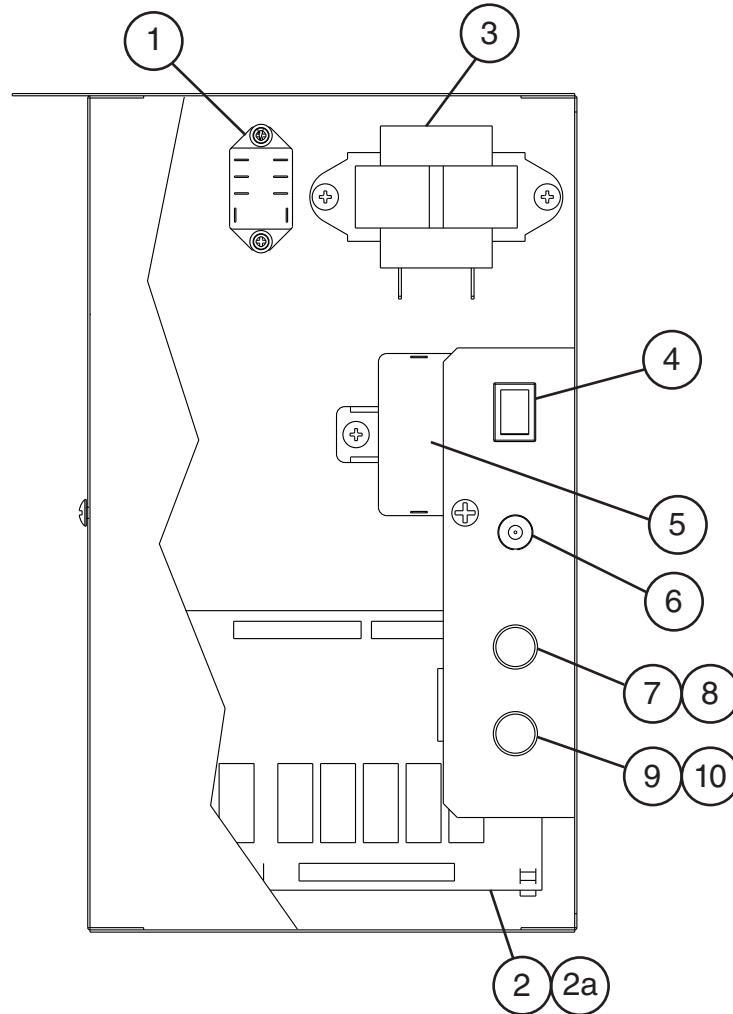
Index No.	Description	Material or Model Number	Part Number	Required Number								
				A-0 to C-0	D-0	D-1						
1	Gear Motor (for mounting hardware, see section "A" items 1 and 2)		4A2007-01	1	1	1						
2	Gear Motor Barrier		4A3441-01	1	1	-						
			4A4029-01			1						
2a	Rubber Washer		4A5268-01	2	2	2						
2b	Truss Head Screw	4x8	7C32-0408	2	2	2						
3	Spline Coupling		414137-01	1	1	1						
4	Housing		2A1977G01	1	1	1						
4a	Hex Head Bolt	8x30	7B02-0830	6	6	6						
4b	Flat Washer	M8	7W22-0800	6	6	6						
4c	Split Lock Washer	M8	7L22-0800	6	6	6						
5	O-Ring		4A4755-02	1	1	1						
6	Mechanical Seal		432492-01	1	1	1						
7	Evaporator (D-1 and later utilize separate drip pan and flange - item 8 and 9)		2A3312G01	1	1	-						
			2A7209G01			1						
7a	Split Lock Washer	M8	7L22-0800	4	4	4						
7b	Socket Head Cap Screw	8x12	7S12-0812	4	4	4						
8	Drip Pan		2A7187-01			1						
9	Flange		352713-01			1						
10	Auger		120863G02	1	1	1						
11	Evaporator Heater		4A2292-01	1	1	1						
12	Extruding Head		216530G04	1	1	-						
			3A2176G01			1						
12a	Seal Bolt	M8	P01768-01	4	4	4						
12b	Washer		427184-01	4	4	-						
13	Cutter		4A3443G02	1	-							
			427183G01		1	1						
13a	Hex Head Bolt	10x40	7B02-1040	1	-							
14	Washer		4A3418-01	1	-							
15	Dowel Pin	4x16	713S-0416	1	-							

C. Water Circuit
FS-1022MLH-C
A-0 to D-1



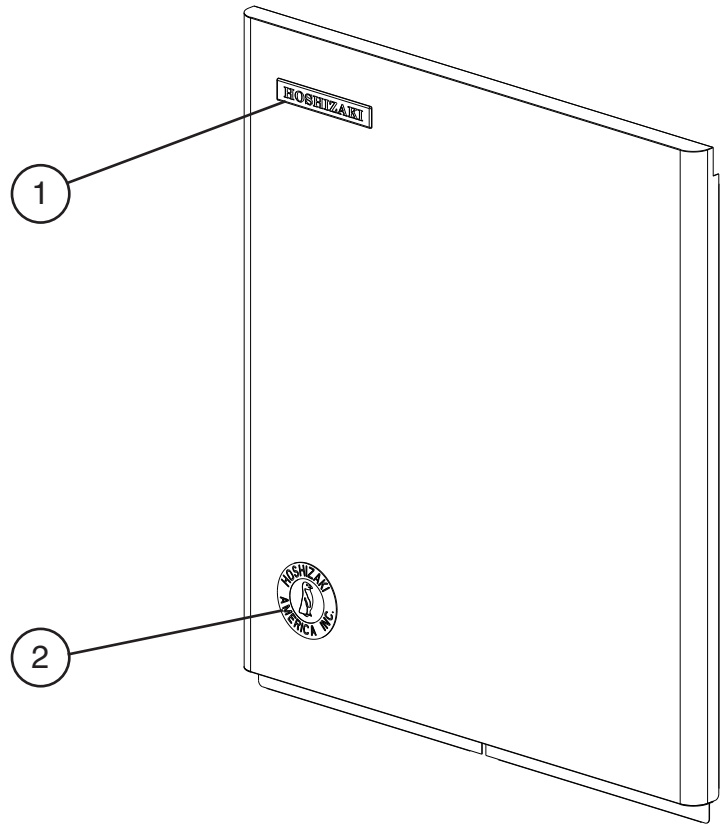
Title: C. Water Circuit Model: FS-1022MLH-C											
Index No.	Description	Material or Model Number	Part Number	Required Number							
				A-0	B-1 to D-1						
Main Assembly											
1	Water Supply Pipe		4A4026G01	1	-						
			4A4026G02		1						
2	Washer		4A0867-01	1	-						
	Rubber Gasket		413854-03		1						
3	Inlet Water Valve		4A0865-01	1	-						
			4A5309-01		1						
4	Reservoir		2A0753-01	1	1						
5	Reservoir Separator		4A1255-01	1	1						
6	Reservoir Cover		214810-01	1	1						
7	Float Switch		435490-01	1	1						
8	Reservoir Inlet		4A0869-01	1	1						
9	Reservoir Hose		4A1165-05	1	1						
10	Drain Valve		4A2772-01	1	1						
11	Drain Fitting		4A0776G01	1	-						
			4A5527-01		1						
12	Barb Coupling		4A5269-01	1	1						
13	Vinyl Hose	L=65 mm	7716-2025	1	1						
14	Vinyl Hose	L=460 mm	7725-1923	1	-						
		L=450 mm	7725-1923		1						
15	Vinyl Hose	L=510 mm	7725-1923	1	1						
16	Silicone Hose	L=110 mm	7730I3896	1	1						
17	Silicone Hose	L=200 mm	7730I3896	1	1						
186	Silicone Hose	L=155 mm	7730I3896	1	1						
Hose Clamps											
	Hose Clamp	17-21 mm	4A2017-05	3	1						
	Hose Clamp	19-22 mm	4A2017-06	1	1						
	Hose Clamp	14-15 mm	4A2017-08	4	6						

D. Control Box Assembly
FS-1022MLH-C
 A-0 to D-1



Title: D. Control Box Assembly Model: FS-1022MLH-C					Required Number								
Index No.	Description	Material or Model Number	Part Number	A-0 to D-1									
1	Gear Motor Protect Relay (compressor control relay)		418271-03	1									
2	"F-A" Control Board		2A4296-01	1									
2a	Control Board Support		4A0336-03	4									
3	Control Transformer		4A0557-01	1									
4	Control Switch		4A0558-01	1									
5	Gear Motor Capacitor	24MFD, 250VAC	4A2273-01	1									
6	Power Switch		4A2332-01	1									
7	Fuse Holder		4A5443-01	1									
8	Control Board Fuse	AGC-1A, 250VAC	4A0893-01	1									
9	Fuse Holder		4A3449-02	1									
10	Gear Motor Fuse	GMD-3A, 250VAC Slow Blow	4A0893-06	1									

E. Accessories & Labels
FS-1022MLH-C
 A-0 to D-1



Title: E. Accessories & Labels Model: FS-1022MLH-C											
Index No.	Description	Material or Model Number	Part Number	A-0 to D-1	Required Number						
1	Emblem		4A0560-01	1							
2	Penguin Label		4A0526-01	1							
3	Universal Bracket		4A3668-01	2							
3a	Hex Bolt		7B02-0512	4							
3b	Self-Drilling Bolt		7P111234	4							