

# Hoshizaki America, Inc.

Crescent Cuber

Model  
KM-101BAH



“A Superior Degree  
of Reliability”

[www.hoshizaki.com](http://www.hoshizaki.com)

## PARTS LIST



Number: M007-3039  
Issued: 7-16-2007  
Revised: 9-14-2015

## Auxiliary Codes

|                  |     |                |
|------------------|-----|----------------|
| <b>KM-101BAH</b> | S-1 | July 2007      |
|                  | S-2 | September 2007 |
|                  | S-3 | December 2007  |
|                  | T-0 | January 2008   |
|                  | T-1 | May 2008       |
|                  | U-0 | January 2009   |
|                  | U-1 | February 2009  |
|                  | V-0 | January 2010   |
|                  | V-1 | June 2010      |
|                  | A-0 | January 2011   |
|                  | B-0 | January 2012   |
|                  | C-0 | January 2013   |
|                  | D-0 | January 2014   |
|                  | E-0 | January 2015   |
|                  | E-1 | September 2015 |

## Auxiliary Code Breakdown

The auxiliary code is the first two characters in the serial number. The first character indicates the year. Years progress or regress in alphabetical order. The series runs from "A" through "V" and the letters "I" and "O" are skipped. The second character indicates significant part changes within a year. Base is "0" and this number advances for each change. In cases where there is a letter in parentheses, this designates the month. This is the last character in the serial number. The series runs from "(A)" through "(M)" and the letter "(I)" is skipped. This designation is only included when identifying a parts change within an auxiliary code.

## Note About Ordering Parts

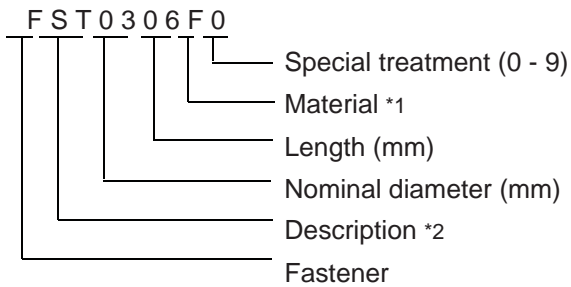
Most assemblies cannot be ordered as complete units; parts in the assemblies generally must be ordered separately.

## MARKS LOCATED UNDER THE AUXILIARY CODE

- = Part deleted.
- x = Part deleted and replaced by "o" part.
- o = New part in place of "x" part.

## FASTENER PART NUMBER

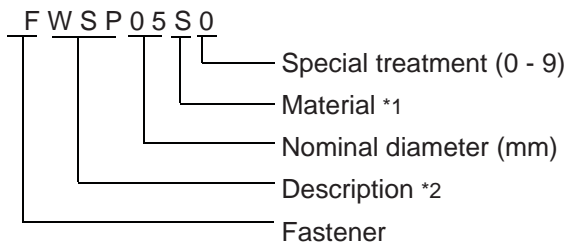
### SCREWS



\*1

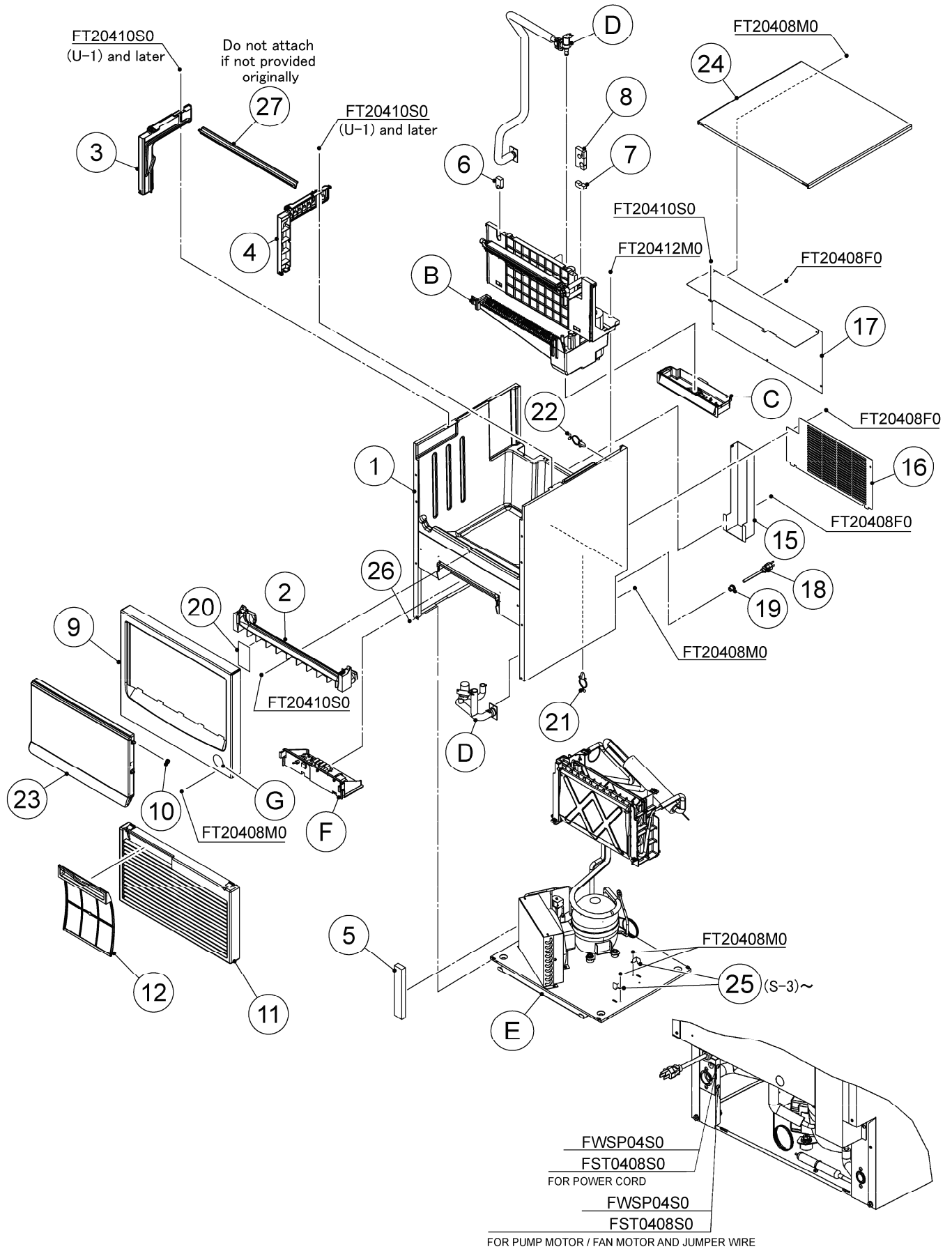
- F: Steel
- S: Austenitic stainless steel
- M: Martensitic stainless steel
- B: Copper alloy
- P: Polycarbonate
- N: Polyamide
- V: PVC
- A: ABS
- X: Polyacetal
- L: Aluminum

### NUTS & WASHERS



\*2

- First letter
- S: Machine screw
- T: Tapping screw
- M: Wood screw
- B: Bolt
- W: Washer
- N: Nut



HA

| MODEL: <b>KM-101BAH</b> |                           | TITLE: <b>A. ICE CUBER ASSY</b> |             |              |                |     |         |   |
|-------------------------|---------------------------|---------------------------------|-------------|--------------|----------------|-----|---------|---|
| INDEX NO.               | DESCRIPTION               | MATERIAL OR MODEL NUMBER        | PART NUMBER | REQ'D NUMBER |                |     |         |   |
|                         |                           |                                 |             | S-1,S-2      | S-3,T-CT-1,U-0 | V-0 | V-1,E-0 |   |
| B                       | ICE MAKING MECHANISM ASSY |                                 | 118492A01   | 1            | 1              | 1   | 1       | 1 |
| C                       | MECHANICAL BIN SWITCH     |                                 | 369013A01   | 1            | 1              | -   | -       | - |
|                         |                           |                                 | 371151A01   | -            | -              | 1   | 1       | 1 |
| D                       | WATER CIRCUIT ASSY        |                                 | 253739A01   | 1            | -              | -   | -       | - |
|                         |                           |                                 | 253739A02   | -            | 1              | 1   | 1       | 1 |
| E                       | REFRIGERATION CIRCUIT     |                                 | 118495A01   | 1            | 1              | 1   | 1       | 1 |
| F                       | CONTROL BOX ASSY          |                                 | 252005A06   | 1            | 1              | 1   | 1       | 1 |
| G                       | LABEL LOCATION            |                                 | 254313S01   | 1            | 1              | 1   | 1       | 1 |
| K                       | ACCESSORIES               |                                 |             | 1            | 1              | 1   | 1       | 1 |
| M                       | OPTIONAL PARTS            | before serial number D06139L    |             | 1            | 1              | 1   | 1       | 1 |
|                         |                           | serial number D06139L and later |             | -            | -              | -   | -       | - |
|                         |                           |                                 |             |              |                |     |         |   |
| 1                       | BODY ASSY                 |                                 | 118008G01   | 1            | 1              | 1   | -       | - |
|                         |                           |                                 | 119362G01   | -            | -              | -   | 1       | 1 |
| 2                       | FRONT FRAME               |                                 | 250745-01   | 1            | 1              | 1   | 1       | 1 |
| 3                       | RAIL (L)                  |                                 | 117628-01   | 1            | 1              | 1   | -       | - |
|                         |                           |                                 | 119369P01   | -            | -              | -   | 1       | 1 |
| 4                       | RAIL (R)                  |                                 | 117629-01   | 1            | 1              | 1   | -       | - |
|                         |                           |                                 | 119370P01   | -            | -              | -   | 1       | 1 |
| 5                       | AIR GUARD                 |                                 | 470302-02   | 1            | 1              | 1   | 1       | 1 |
| 6                       | GROMMET-PIPE (C)          | SANTOPRENE                      | 470311-01   | 1            | 1              | 1   | 1       | 1 |
| 7                       | GROMMET-PIPE (B)          | SANTOPRENE                      | 470310-01   | 1            | 1              | 1   | 1       | 1 |
| 8                       | GROMMET-PIPE (A)          | SANTOPRENE                      | 470309-01   | 1            | 1              | 1   | 1       | 1 |
| 9                       | FRONT PANEL               | before serial number D06139L    | 369014G01   | 1            | 1              | 1   | 1       | 1 |
|                         |                           | serial number D06139L and later | 380575G01   | -            | -              | -   | -       | 1 |
| 10                      | COLLAR                    |                                 | 481481P02   | 4            | 4              | 4   | 4       | 4 |
| 11                      | LOUVER                    |                                 | 117635-01   | 1            | 1              | 1   | 1       | 1 |
| 12                      | AIR FILTER                |                                 | 250727G01   | 1            | 1              | 1   | 1       | 1 |
| 15                      | COVER - PIPE              |                                 | 368305-01   | 1            | 1              | 1   | 1       | 1 |
| 16                      | REAR COVER                |                                 | 368312-01   | 1            | 1              | 1   | 1       | 1 |
| 17                      | REAR PANEL                |                                 | 370654M01   | 1            | 1              | 1   | 1       | 1 |
| 18                      | POWER SUPPLY CORD         | KP-30B SJT#16AWG                | P00004-01   | 1            | 1              | 1   | 1       | 1 |

HA

| MODEL: <b>KM-101BAH</b> |                               | TITLE: <b>A. ICE CUBER ASSY</b>                |             |              |         |         |         |         |
|-------------------------|-------------------------------|--|-------------|--------------|---------|---------|---------|---------|
| INDEX NO.               | DESCRIPTION                   | MATERIAL OR MODEL NUMBER                       | PART NUMBER | REQ'D NUMBER |         |         |         |         |
|                         |                               |  |             | S-1,S-2      | S-3,T-1 | U-1,U-2 | V-1,V-2 | W-1,E-0 |
| 19                      | BUSHING                       | SR-7K-2  | 420472-02   | 1            | 1       | 1       | 1       | 1       |
| 20                      | SEAL - OVERFLOW               |  | 4Y4321P01   | 1            | 1       | 1       | 1       | 1       |
| 21                      | CLAMP                         |  | 427902-02   | 4            | 4       | 4       | 4       | 4       |
| 22                      | TWIST HOLDER                  |  | P00424-01   | 1            | 1       | 1       | 1       | 1       |
| 23                      | DOOR                          | Replace together with 4 pieces of No.10 COLLAR | 369051G01   | 1            | 1       | 1       | 1       | 1       |
| 24                      | TOP PANEL                     | before serial number D06139L                   | 369005A07   | 1            | 1       | 1       | 1       | 1       |
|                         |                               | serial number D06139L and later                | 380577A07   | -            | -       | -       | -       | 1       |
| 25                      | GUIDE - DRAIN                 |  | 4Y0191-01   |              | 2       | 2       | 2       | 2       |
| 26                      | HEX. TAPPING SCREW W - FLANGE |  | P01572-01   | 4            | 4       | 4       | 4       | 4       |

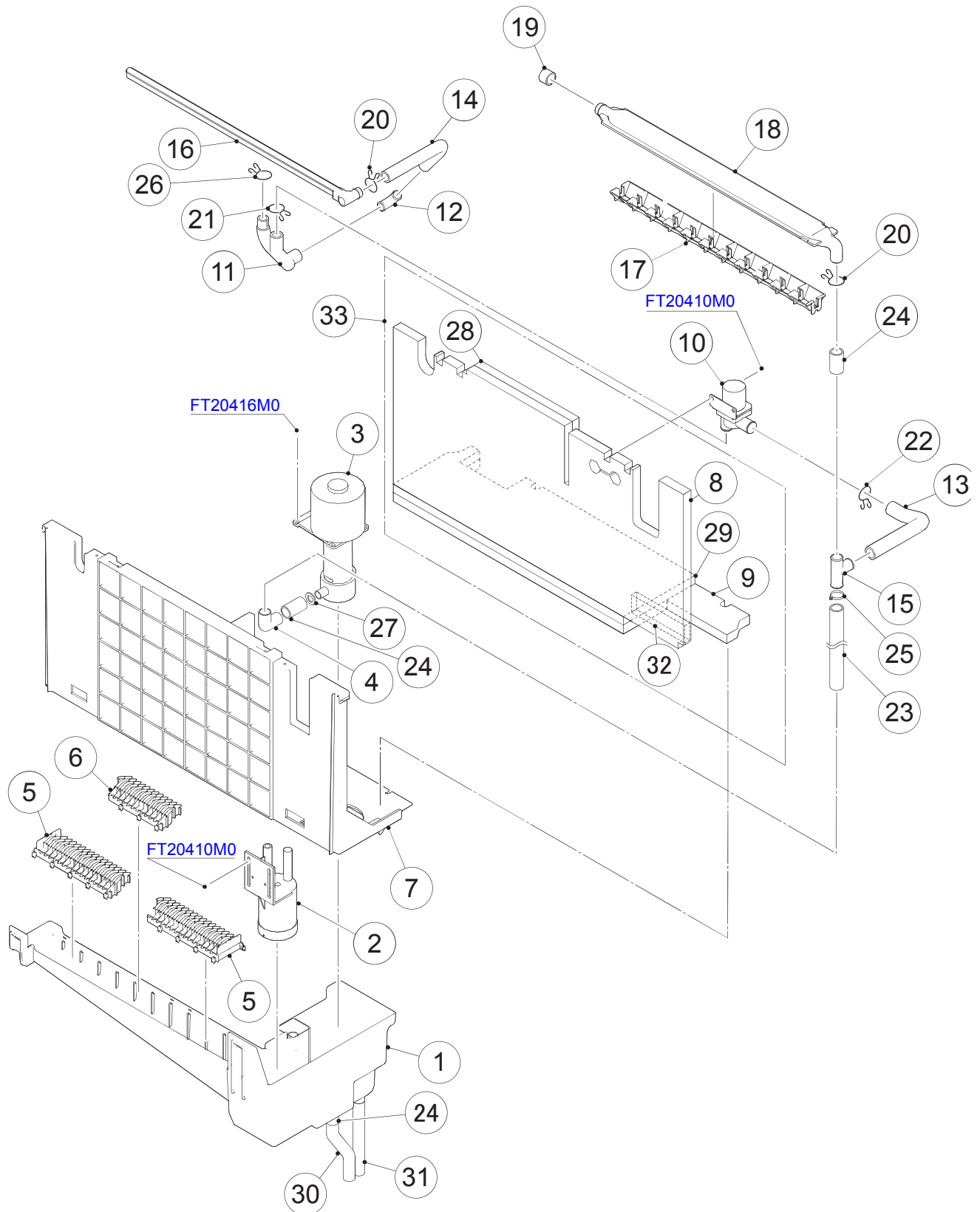
HA

| MODEL: <b>KM-101BAH</b> |                           | TITLE: <b>A. ICE CUBER ASSY</b> |             |              |  |  |  |  |
|-------------------------|---------------------------|---------------------------------|-------------|--------------|--|--|--|--|
| INDEX NO.               | DESCRIPTION               | MATERIAL OR MODEL NUMBER        | PART NUMBER | REQ'D NUMBER |  |  |  |  |
|                         |                           |                                 |             | E-1          |  |  |  |  |
| B                       | ICE MAKING MECHANISM ASSY |                                 | 118492A01   | 1            |  |  |  |  |
| C                       | MECHANICAL BIN SWITCH     |                                 | 369013A01   | -            |  |  |  |  |
|                         |                           |                                 | 371151A01   | 1            |  |  |  |  |
| D                       | WATER CIRCUIT ASSY        |                                 | 253739A01   | -            |  |  |  |  |
|                         |                           |                                 | 253739A02   | 1            |  |  |  |  |
| E                       | REFRIGERATION CIRCUIT     |                                 | 118495A01   | 1            |  |  |  |  |
| F                       | CONTROL BOX ASSY          |                                 | 252005A06   | 1            |  |  |  |  |
| G                       | LABEL LOCATION            |                                 | 254313S01   | 1            |  |  |  |  |
| K                       | ACCESSORIES               |                                 |             | 1            |  |  |  |  |
| M                       | OPTIONAL PARTS            | before serial number D06139L    |             | -            |  |  |  |  |
|                         |                           | serial number D06139L and later |             | -            |  |  |  |  |
|                         |                           |                                 |             |              |  |  |  |  |
| 1                       | BODY ASSY                 |                                 | 118008G01   | -            |  |  |  |  |
|                         |                           |                                 | 119362G01   | 1            |  |  |  |  |
| 2                       | FRONT FRAME               |                                 | 250745-01   | 1            |  |  |  |  |
| 3                       | RAIL (L)                  |                                 | 117628-01   | -            |  |  |  |  |
|                         |                           |                                 | 119369P01   | 1            |  |  |  |  |
| 4                       | RAIL (R)                  |                                 | 117629-01   | -            |  |  |  |  |
|                         |                           |                                 | 119370P01   | 1            |  |  |  |  |
| 5                       | AIR GUARD                 |                                 | 470302-02   | 1            |  |  |  |  |
| 6                       | GROMMET-PIPE (C)          | SANTOPRENE                      | 470311-01   | 1            |  |  |  |  |
| 7                       | GROMMET-PIPE (B)          | SANTOPRENE                      | 470310-01   | 1            |  |  |  |  |
| 8                       | GROMMET-PIPE (A)          | SANTOPRENE                      | 470309-01   | 1            |  |  |  |  |
| 9                       | FRONT PANEL               | before serial number D06139L    | 369014G01   | -            |  |  |  |  |
|                         |                           | serial number D06139L and later | 380575G01   | 1            |  |  |  |  |
| 10                      | COLLAR                    |                                 | 481481P02   | 4            |  |  |  |  |
| 11                      | LOUVER                    |                                 | 117635-01   | 1            |  |  |  |  |
| 12                      | AIR FILTER                |                                 | 250727G01   | 1            |  |  |  |  |
| 15                      | COVER - PIPE              |                                 | 368305-01   | 1            |  |  |  |  |
| 16                      | REAR COVER                |                                 | 368312-01   | 1            |  |  |  |  |
| 17                      | REAR PANEL                |                                 | 370654M01   | 1            |  |  |  |  |
| 18                      | POWER SUPPLY CORD         | KP-30B SJT#16AWG                | P00004-01   | 1            |  |  |  |  |

HA

| MODEL: <b>KM-101BAH</b> |                               | TITLE: <b>A. ICE CUBER ASSY</b>          |             |              |  |  |  |  |
|-------------------------|-------------------------------|--|-------------|--------------|--|--|--|--|
| INDEX NO.               | DESCRIPTION                   | MATERIAL OR MODEL NUMBER                 | PART NUMBER | REQ'D NUMBER |  |  |  |  |
|                         |                               |  |             | E-1          |  |  |  |  |
| 19                      | BUSHING                       | SR-7K-2                                  | 420472-02   | 1            |  |  |  |  |
| 20                      | SEAL - OVERFLOW               |  | 4Y4321P01   | 1            |  |  |  |  |
| 21                      | CLAMP                         |  | 427902-02   | 4            |  |  |  |  |
| 22                      | TWIST HOLDER                  |  | P00424-01   | 1            |  |  |  |  |
| 23                      | DOOR                          |  | 369051G01   | 1            |  |  |  |  |
| 24                      | TOP PANEL                     | before serial number D06139L             | 369005A07   | -            |  |  |  |  |
|                         |                               | serial number D06139L and later          | 380577A07   | 1            |  |  |  |  |
| 25                      | GUIDE - DRAIN                 |  | 4Y0191-01   | 2            |  |  |  |  |
| 26                      | HEX. TAPPING SCREW W - FLANGE |  | P01572-01   | 4            |  |  |  |  |
| 27                      | BRACE - RAIL                  | Do not attach if not provided originally | 481548M02   | 1            |  |  |  |  |





HA

| MODEL: <b>KM-101BAH</b> |                            | TITLE: <b>B. ICE MAKING MECHANISM ASSY</b> |             |              |         |         |         |         |
|-------------------------|----------------------------|--|-------------|--------------|---------|---------|---------|---------|
| INDEX NO.               | DESCRIPTION                | MATERIAL OR MODEL NUMBER                   | PART NUMBER | REQ'D NUMBER |         |         |         |         |
|                         |                            |  |             | S-1,S-2      | S-3,T-1 | U-1,U-2 | V-1,V-2 | V-1,E-0 |
| 1                       | WATER TANK                 |  | 117638-01   | 1            | 1       | 1       | 1       | 1       |
| 2                       | FLOAT SWITCH               |  | 4A3624-04   | 1            | 1       | 1       | 1       | 1       |
| 3                       | PUMP MOTOR                 | PV-0511BHZ1                                | P00468-01   | 1            | 1       | 1       | 1       | 1       |
| 4                       | ELBOW                      |  | 417703-01   | 1            | 1       | 1       | 1       | 1       |
| 5                       | CUBE GUIDE (A)             |  | 250742-01   | 2            | 2       | 2       | 2       | 2       |
| 6                       | CUBE GUIDE (B)             |  | 250741-01   | 1            | 1       | 1       | 1       | 1       |
| 7                       | BRACKET - ICE MAKING       |  | 117631-01   | 1            | 1       | 1       | 1       | 1       |
| 8                       | INSULATION - MECHANISM (A) | Only available as No.33.                   | 368345-01   | -            | -       | -       | -       | -       |
| 9                       | INSULATION - MECHANISM (B) | Only available as No.33.                   | 368344-01   | -            | -       | -       | -       | -       |
| 10                      | SOLENOID VALVE             | DSVP12N-2NSX-120A-L3SR                     | 4A3722-01   | 1            | 1       | 1       | -       | -       |
|                         |                            | FDC-90-02-115                              | P00018-02   | -            | -       | -       | 1       | 1       |
| 11                      | WATER SUPPLY PIPE (A)      |  | 470306-01   | 1            | 1       | 1       | 1       | 1       |
| 12                      | ELBOW                      |  | 470303-01   | 1            | 1       | 1       | 1       | 1       |
| 13                      | BYPASS HOSE                |  | 470308-01   | 1            | 1       | 1       | 1       | -       |
|                         |                            |  | 374229R01   | -            | -       | -       | -       | 1       |
| 14                      | WATER SUPPLY PIPE(B)       |  | 470307-01   | 1            | 1       | 1       | 1       | -       |
|                         | WATER SUPPLY HOSE (B)      |  | 374228R01   | -            | -       | -       | -       | 1       |
| 15                      | TEE                        |  | 470312-01   | 1            | 1       | 1       | 1       | 1       |
| 16                      | WATER SUPPLY TUBE          |  | 250743-01   | 1            | 1       | 1       | 1       | 1       |
| 17                      | SPRAY GUIDE                |  | 252052P01   | 1            | 1       | 1       | 1       | -       |
|                         |                            |  | 258313P03   | -            | -       | -       | -       | 1       |
| 18                      | SPRAY TUBE                 |  | 250746-01   | 1            | 1       | 1       | 1       | 1       |
| 19                      | SPRAY TUBE CAP             |  | 3A2645-01   | 1            | 1       | 1       | 1       | 1       |
|                         | ※Use either of the right   |  | 370777R01   | 1            | 1       | 1       | 1       | 1       |
| 20                      | HOSE CLAMP                 | 16.5mm SUS                                 | 427443-04   | 2            | 2       | 2       | 2       | 2       |
|                         | ※Use either of the right   |  | P02909-04   | 2            | 2       | 2       | 2       | 2       |
| 21                      | HOSE CLAMP                 | 18mm SUS                                   | 427443-05   | 1            | 1       | 1       | 1       | 1       |
|                         | ※Use either of the right   |  | P02909-05   | 1            | 1       | 1       | 1       | 1       |

HA

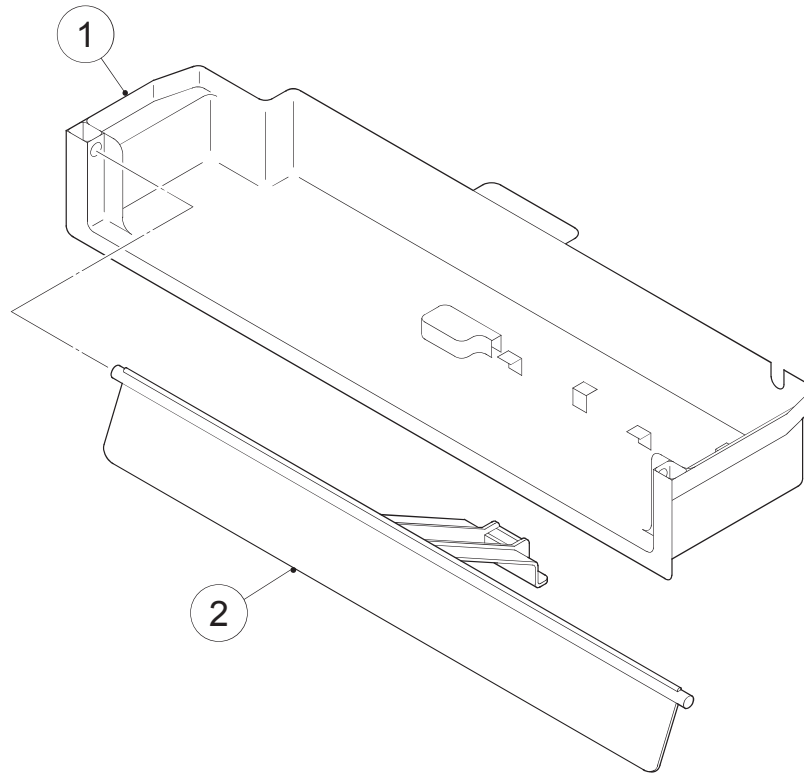
| MODEL: <b>KM-101BAH</b> |  | TITLE: <b>B. ICE MAKING MECHANISM ASSY</b> |             |              |         |         |         |         |
|-------------------------|--|--|-------------|--------------|---------|---------|---------|---------|
| INDEX NO.               | DESCRIPTION                            | MATERIAL OR MODEL NUMBER                   | PART NUMBER | REQ'D NUMBER |         |         |         |         |
|                         |  |  |             | S-1,S-2      | S-3,T-0 | T-1,U-0 | U-1,V-0 | V-1,E-0 |
| 22                      | HOSE CLAMP<br>※Use either of the right | 20mm SUS                                   | 427443-06   | 1            | 1       | 1       | 1       | 1       |
|                         |  |  | P02909-06   | 1            | 1       | 1       | 1       | 1       |
| 23                      | SILICONE HOSE                          | L=300 14 DIA x 18 DIA                      | H11418300   | 1            | 1       | 1       | 1       | -       |
|                         |  | L=280 14 DIA x 18 DIA (CLEAR)              | H11418280   | -            | -       | -       | -       | 1       |
| 24                      | SILICONE HOSE                          | L=30 14 DIA x 18 DIA (CLEAR)               | H11418030   | 3            | 3       | 3       | 3       | 3       |
| 25                      | CABLE TIE                              | CV-100                                     | 7920-0002   | 8            | 8       | 8       | 8       | 8       |
| 26                      | HOSE CLAMP<br>※Use either of the right | 13.5mm SUS                                 | 427443-07   | 1            | 1       | 1       | 1       | 1       |
|                         |  |  | P02909-07   | 1            | 1       | 1       | 1       | 1       |
| 27                      | ORIFICE                                |  | 4Y4194P02   | 1            | 1       | 1       | 1       | 1       |
| 28                      | INSULATION/MECHANISM (C)               | Only available as No.33.                   | 3Y2432Z01   | -            | -       | -       | -       | -       |
| 29                      | INSULATION/MECHANISM (D)               | Only available as No.33.                   | 3Y2433Z01   | -            | -       | -       | -       | -       |
| 30                      | PIPE/OVERFLOW                          |  | 369038P02   | 1            | 1       | 1       | 1       | 1       |
| 31                      | SILICONE HOSE                          | L=150 14 DIA x 18 DIA (CLEAR)              | H11418150   | 1            | 1       | 1       | 1       | 1       |
| 32                      | INSULATION - PUMP                      | Only available as No.33.                   | 472395Z01   | -            | -       | -       | -       | -       |
| 33                      | INSULATION - MECHANISM                 |  | 256826P01   | -            | -       | -       | 1       | 1       |

HA

| MODEL: <b>KM-101BAH</b> |                            | TITLE: <b>B. ICE MAKING MECHANISM ASSY</b> |             |              |  |  |  |  |
|-------------------------|----------------------------|--|-------------|--------------|--|--|--|--|
| INDEX NO.               | DESCRIPTION                | MATERIAL OR MODEL NUMBER                   | PART NUMBER | REQ'D NUMBER |  |  |  |  |
|                         |                            |  |             | E-1          |  |  |  |  |
| 1                       | WATER TANK                 |  | 117638-01   | 1            |  |  |  |  |
| 2                       | FLOAT SWITCH               |  | 4A3624-04   | 1            |  |  |  |  |
| 3                       | PUMP MOTOR                 | PV-0511BHZ1                                | P00468-01   | 1            |  |  |  |  |
| 4                       | ELBOW                      |  | 417703-01   | 1            |  |  |  |  |
| 5                       | CUBE GUIDE (A)             |  | 250742-01   | 2            |  |  |  |  |
| 6                       | CUBE GUIDE (B)             |  | 250741-01   | 1            |  |  |  |  |
| 7                       | BRACKET - ICE MAKING       |  | 117631-01   | 1            |  |  |  |  |
| 8                       | INSULATION - MECHANISM (A) | Only available as No.33.                   | 368345-01   | -            |  |  |  |  |
| 9                       | INSULATION - MECHANISM (B) | Only available as No.33.                   | 368344-01   | -            |  |  |  |  |
| 10                      | SOLENOID VALVE             | DSVP12N-2NSX-120A-L3SR                     | 4A3722-01   | -            |  |  |  |  |
|                         |                            | FDC-90-02-115                              | P00018-02   | 1            |  |  |  |  |
| 11                      | WATER SUPPLY PIPE (A)      |  | 470306-01   | 1            |  |  |  |  |
| 12                      | ELBOW                      |  | 470303-01   | 1            |  |  |  |  |
| 13                      | BYPASS HOSE                |  | 470308-01   | -            |  |  |  |  |
|                         |                            |  | 374229R01   | 1            |  |  |  |  |
| 14                      | WATER SUPPLY PIPE(B)       |  | 470307-01   | -            |  |  |  |  |
|                         | WATER SUPPLY HOSE (B)      |  | 374228R01   | 1            |  |  |  |  |
| 15                      | TEE                        |  | 470312-01   | 1            |  |  |  |  |
| 16                      | WATER SUPPLY TUBE          |  | 250743-01   | 1            |  |  |  |  |
| 17                      | SPRAY GUIDE                |  | 252052P01   | -            |  |  |  |  |
|                         |                            |  | 258313P03   | 1            |  |  |  |  |
| 18                      | SPRAY TUBE                 |  | 250746-01   | 1            |  |  |  |  |
| 19                      | SPRAY TUBE CAP             |  | 3A2645-01   | 1            |  |  |  |  |
|                         | ※Use either of the right   |  | 370777R01   | 1            |  |  |  |  |
| 20                      | HOSE CLAMP                 | 16.5mm SUS                                 | 427443-04   | 2            |  |  |  |  |
|                         | ※Use either of the right   |  | P02909-04   | 2            |  |  |  |  |
| 21                      | HOSE CLAMP                 | 18mm SUS                                   | 427443-05   | 1            |  |  |  |  |
|                         | ※Use either of the right   |  | P02909-05   | 1            |  |  |  |  |

HA

| MODEL: <b>KM-101BAH</b> |  | TITLE: <b>B. ICE MAKING MECHANISM ASSY</b> |             |              |  |  |  |  |
|-------------------------|--|--|-------------|--------------|--|--|--|--|
| INDEX NO.               | DESCRIPTION                            | MATERIAL OR MODEL NUMBER                   | PART NUMBER | REQ'D NUMBER |  |  |  |  |
|                         |  |  |             | E-1          |  |  |  |  |
| 22                      | HOSE CLAMP<br>※Use either of the right | 20mm SUS                                   | 427443-06   | 1            |  |  |  |  |
|                         |  |  | P02909-06   | 1            |  |  |  |  |
| 23                      | SILICONE HOSE                          | L=300 14 DIA x 18 DIA                      | H11418300   | -            |  |  |  |  |
|                         |  | L=280 14 DIA x 18 DIA (CLEAR)              | H11418280   | 1            |  |  |  |  |
| 24                      | SILICONE HOSE                          | L=30 14 DIA x 18 DIA (CLEAR)               | H11418030   | 3            |  |  |  |  |
| 25                      | CABLE TIE                              | CV-100                                     | 7920-0002   | 8            |  |  |  |  |
| 26                      | HOSE CLAMP<br>※Use either of the right | 13.5mm SUS                                 | 427443-07   | 1            |  |  |  |  |
|                         |  |  | P02909-07   | 1            |  |  |  |  |
| 27                      | ORIFICE                                |  | 4Y4194P02   | 1            |  |  |  |  |
| 28                      | INSULATION/MECHANISM (C)               | Only available as No.33.                   | 3Y2432Z01   | -            |  |  |  |  |
| 29                      | INSULATION/MECHANISM (D)               | Only available as No.33.                   | 3Y2433Z01   | -            |  |  |  |  |
| 30                      | PIPE/OVERFLOW                          |  | 369038P02   | 1            |  |  |  |  |
| 31                      | SILICONE HOSE                          | L=150 14 DIA x 18 DIA (CLEAR)              | H11418150   | 1            |  |  |  |  |
| 32                      | INSULATION - PUMP                      | Only available as No.33.                   | 472395Z01   | -            |  |  |  |  |
| 33                      | INSULATION - MECHANISM                 |  | 256826P01   | 1            |  |  |  |  |



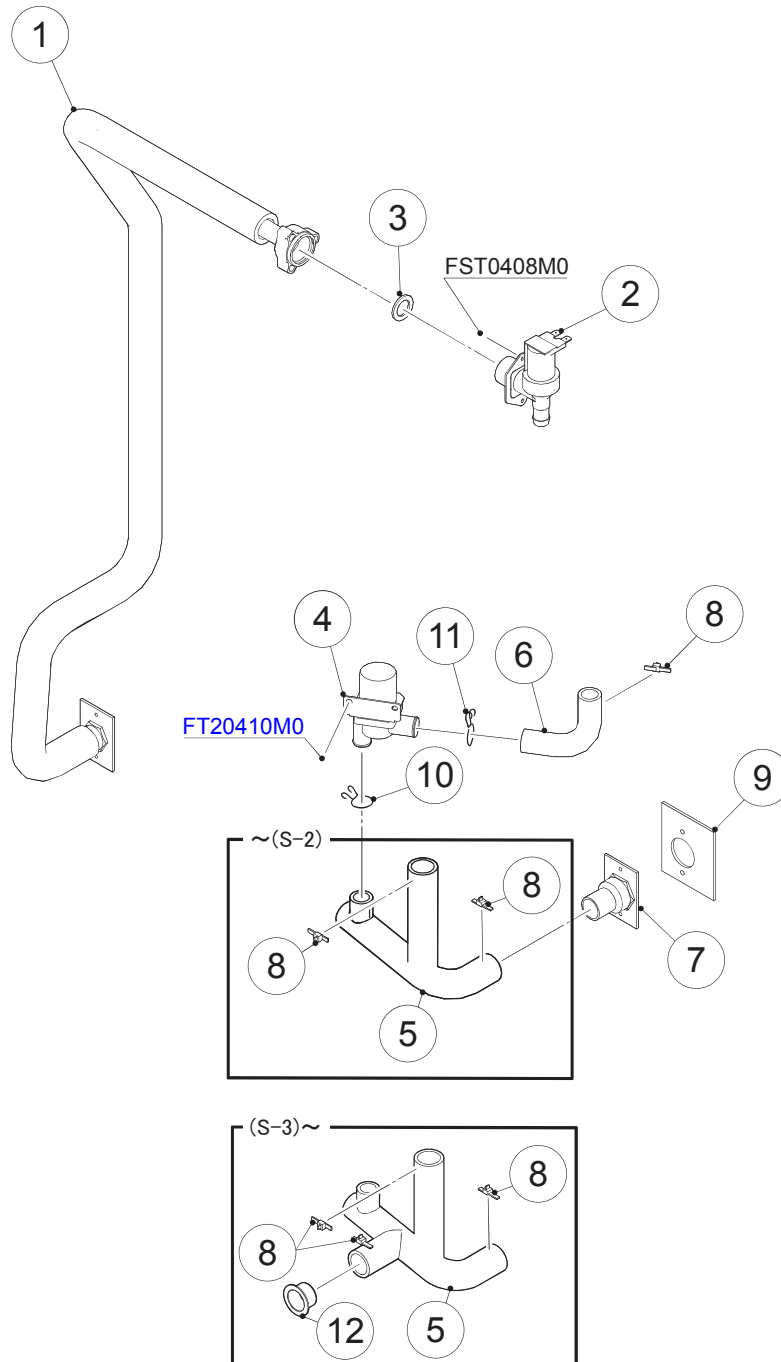
HA

| MODEL: <b>KM-101BAH</b> |                        | TITLE: <b>C. MECHANICAL BIN SWITCH</b> |             |              |         |         |         |         |
|-------------------------|------------------------|--|-------------|--------------|---------|---------|---------|---------|
| INDEX NO.               | DESCRIPTION            | MATERIAL OR MODEL NUMBER               | PART NUMBER | REQ'D NUMBER |         |         |         |         |
|                         |                        |  |             | S-1,S-2      | S-3,T-0 | T-1,U-0 | U-1,V-0 | V-1,E-0 |
| 1                       | MECHANICAL SWITCH CASE |  | 369019G01   | 1            | 1       | -       | -       | -       |
|                         |                        |  | 371153G01   | -            | -       | 1       | 1       | 1       |
| 2                       | DETECTOR               |  | 369020G01   | 1            | 1       | -       | -       | -       |
|                         |                        |  | 371152G01   | -            | -       | 1       | 1       | 1       |

HA

| MODEL: <b>KM-101BAH</b> |                        | TITLE: <b>C. MECHANICAL BIN SWITCH</b> |             |              |  |  |  |  |
|-------------------------|------------------------|--|-------------|--------------|--|--|--|--|
| INDEX NO.               | DESCRIPTION            | MATERIAL OR MODEL NUMBER               | PART NUMBER | REQ'D NUMBER |  |  |  |  |
|                         |                        |  |             | E-1          |  |  |  |  |
| 1                       | MECHANICAL SWITCH CASE |  | 369019G01   | -            |  |  |  |  |
|                         |                        |  | 371153G01   | 1            |  |  |  |  |
| 2                       | DETECTOR               |  | 369020G01   | -            |  |  |  |  |
|                         |                        |  | 371152G01   | 1            |  |  |  |  |



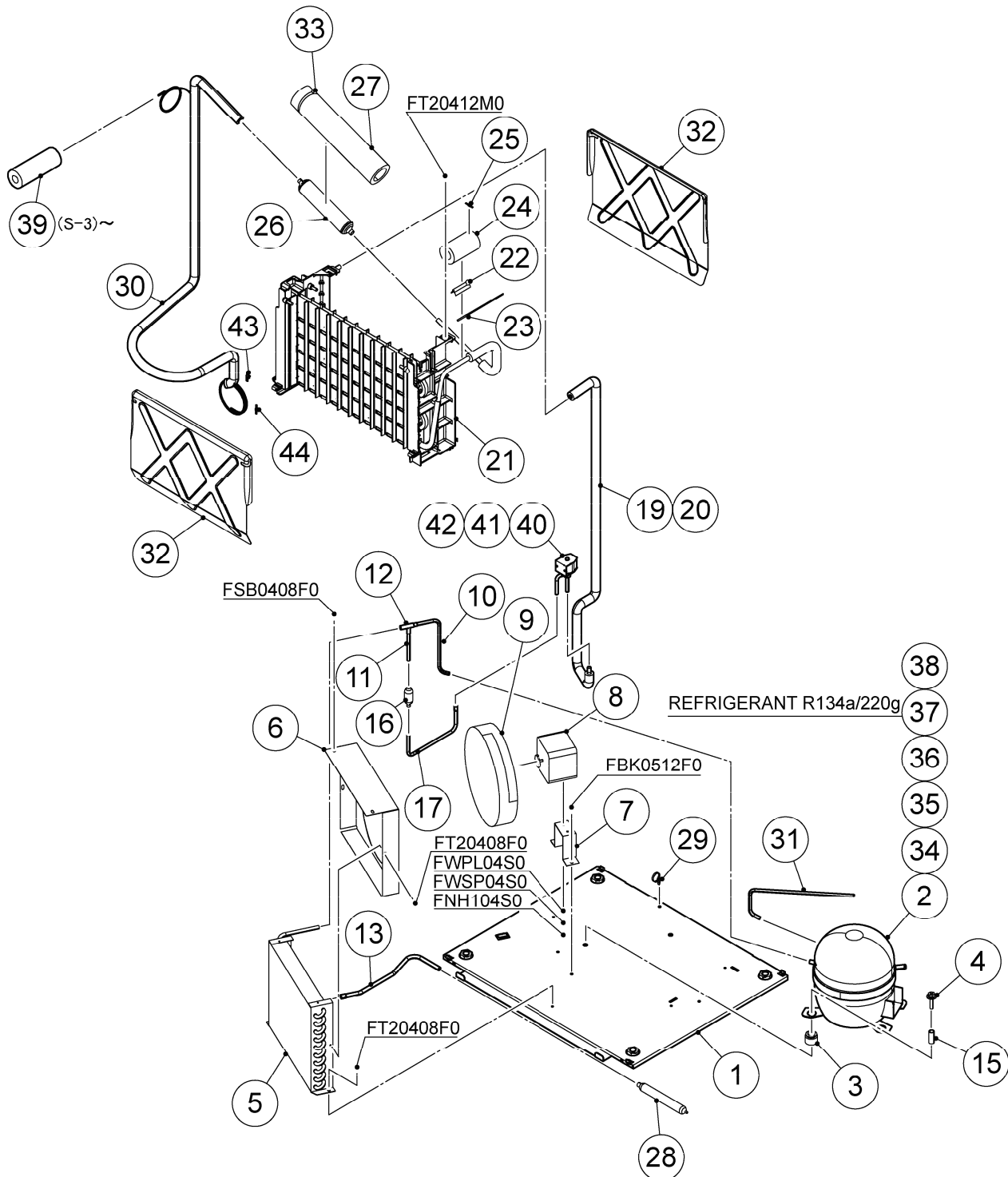


HA

| MODEL: <b>KM-101BAH</b> |  | TITLE: <b>D. WATER CIRCUIT ASSY</b> |             |              |         |         |         |     |
|-------------------------|--|-------------------------------------|-------------|--------------|---------|---------|---------|-----|
| INDEX NO.               | DESCRIPTION                            | MATERIAL OR MODEL NUMBER            | PART NUMBER | REQ'D NUMBER |         |         |         |     |
|                         |  |                                     |             | S-1,S-2      | S-3,T-1 | U-1,U-2 | V-1,V-2 | E-0 |
| 1                       | WATER SUPPLY PIPE                      |                                     | 369034G01   | 1            | 1       | 1       | 1       | 1   |
| 2                       | WATER VALVE                            | V19, 1.2L/min                       | P00464-01   | 1            | 1       | 1       | 1       | 1   |
| 3                       | RUBBER GASKET                          |                                     | 413854-03   | 1            | 1       | 1       | 1       | 1   |
| 4                       | SOLENOID VALVE                         | DSVP12N-2NSX-120A-L3SR              | 4A3722-01   | 1            | 1       | 1       | -       | -   |
|                         |  | FDC-90-02-115                       | P00018-02   | -            | -       | -       | 1       | 1   |
| 5                       | DRAIN HOSE                             | EPDM OR SANTOPRENE                  | 470305-01   | 1            | x1      | -       | -       | -   |
|                         |  | SANTOPRENE                          | 370704R01   | -            | o1      | 1       | 1       | 1   |
| 6                       | HOSE - VALVE                           | SANTOPRENE                          | 470304-01   | 1            | 1       | 1       | 1       | 1   |
| 7                       | DRAIN FITTING                          |                                     | 472726G01   | 1            | 1       | 1       | 1       | 1   |
| 8                       | CABLE TIE                              | CV-150                              | 7920-0003   | 3            | 4       | 4       | 4       | 4   |
| 9                       | INSULATION/DRAIN                       |                                     | 4Y4319Z01   | 1            | 1       | 1       | 1       | 1   |
| 10                      | HOSE CLAMP<br>※Use either of the right | 18mm SUS                            | 427443-05   | 1            | 1       | 1       | 1       | 1   |
|                         |  |                                     | P02909-05   | 1            | 1       | 1       | 1       | 1   |
| 11                      | HOSE CLAMP<br>※Use either of the right | 20mm SUS                            | 427443-06   | 1            | 1       | 1       | 1       | 1   |
|                         |  |                                     | P02909-06   | 1            | 1       | 1       | 1       | 1   |
| 12                      | CAP                                    |                                     | 472250P01   | -            | 1       | 1       | 1       | 1   |

HA

| MODEL: <b>KM-101BAH</b> |  | TITLE: <b>D. WATER CIRCUIT ASSY</b> |             |              |  |  |  |  |  |
|-------------------------|--|-------------------------------------|-------------|--------------|--|--|--|--|--|
| INDEX NO.               | DESCRIPTION                            | MATERIAL OR MODEL NUMBER            | PART NUMBER | REQ'D NUMBER |  |  |  |  |  |
|                         |  |                                     |             | E-1          |  |  |  |  |  |
| 1                       | WATER SUPPLY PIPE                      |                                     | 369034G01   | 1            |  |  |  |  |  |
| 2                       | WATER VALVE                            | V19, 1.2L/min                       | P00464-01   | 1            |  |  |  |  |  |
| 3                       | RUBBER GASKET                          |                                     | 413854-03   | 1            |  |  |  |  |  |
| 4                       | SOLENOID VALVE                         | DSVP12N-2NSX-120A-L3SR              | 4A3722-01   | -            |  |  |  |  |  |
|                         |  | FDC-90-02-115                       | P00018-02   | 1            |  |  |  |  |  |
| 5                       | DRAIN HOSE                             | EPDM OR SANTOPRENE                  | 470305-01   | -            |  |  |  |  |  |
|                         |  | SANTOPRENE                          | 370704R01   | 1            |  |  |  |  |  |
| 6                       | HOSE - VALVE                           | SANTOPRENE                          | 470304-01   | 1            |  |  |  |  |  |
| 7                       | DRAIN FITTING                          |                                     | 472726G01   | 1            |  |  |  |  |  |
| 8                       | CABLE TIE                              | CV-150                              | 7920-0003   | 4            |  |  |  |  |  |
| 9                       | INSULATION/DRAIN                       |                                     | 4Y4319Z01   | 1            |  |  |  |  |  |
| 10                      | HOSE CLAMP<br>※Use either of the right | 18mm SUS                            | 427443-05   | 1            |  |  |  |  |  |
|                         |  |                                     | P02909-05   | 1            |  |  |  |  |  |
| 11                      | HOSE CLAMP<br>※Use either of the right | 20mm SUS                            | 427443-06   | 1            |  |  |  |  |  |
|                         |  |                                     | P02909-06   | 1            |  |  |  |  |  |
| 12                      | CAP                                    |                                     | 472250P01   | 1            |  |  |  |  |  |



HA

| MODEL: <b>KM-101BAH</b> |                         |                                    |             |              | TITLE: <b>E. REFRIGERATION CIRCUIT</b> |     |     |     |     |
|-------------------------|-------------------------|------------------------------------|-------------|--------------|--|-----|-----|-----|-----|
| INDEX NO.               | DESCRIPTION             | MATERIAL OR MODEL NUMBER           | PART NUMBER | REQ'D NUMBER |  |     |     |     |     |
|                         |                         |                                    |             | S-1          | S-2                                    | S-3 | T-1 | U-1 | V-1 |
| 1                       | BASE                    |                                    | 370283G01   | 1            | 1                                      | 1   | 1   | 1   |     |
| 2                       | COMPRESSOR              | QA91K22CAU6-E0GS                   | P00024-01   | 1            | 1                                      | 1   | 1   | 1   |     |
| 3                       | RUBBER GROMMET          | 01-245970                          | 463983-01   | 4            | 4                                      | 4   | 4   | 4   |     |
| 4                       | BOLT                    | 8x35                               | 436206-03   | 2            | 2                                      | 2   | 2   | 2   |     |
| 5                       | CONDENSER               |                                    | P00028-01   | 1            | 1                                      | 1   | 1   | 1   |     |
| 6                       | SHROUD                  |                                    | 368318-01   | 1            | 1                                      | 1   | 1   | 1   |     |
| 7                       | BRACKET - FM            |                                    | 470291-01   | 1            | 1                                      | 1   | 1   | 1   |     |
| 8                       | FAN MOTOR               | M4Q045-CA27-04                     | P00466-01   | 1            | 1                                      | 1   | 1   | 1   |     |
| 9                       | FAN BLADE               | 200 DIA (22°)                      | P00006-01   | 1            | 1                                      | 1   | 1   | 1   |     |
| 10                      | COPPER TUBE - H-1       | COPPER TUBE (H)<br>370320G01       | 370311M01   | 1            | 1                                      | 1   | 1   | 1   |     |
| 11                      | COPPER TUBE - H-2       | COPPER TUBE (H)<br>370320G01       | 470300-01   | 1            | 1                                      | 1   | 1   | 1   |     |
| 12                      | TEE                     | COPPER TUBE (H)<br>370320G01       | 420041-03   | 1            | 1                                      | 1   | 1   | 1   |     |
| 13                      | COPPER TUBE - H-4       |                                    | 471937M01   | 1            | 1                                      | 1   | 1   | 1   |     |
| 15                      | GROMMET SLEEVE          | 01-245960                          | 463984-01   | 2            | 2                                      | 2   | 2   | 2   |     |
| 16                      | STRAINER                |                                    | P00008-01   | 1            | 1                                      | 1   | 1   | 1   |     |
| 17                      | COPPER TUBE - H-3       |                                    | 471936M01   | 1            | 1                                      | 1   | 1   | 1   |     |
| 19                      | COPPER TUBE - HOT GAS   | COPPER TUBE - HOT GAS<br>370443G01 | 370443M01   | 1            | 1                                      | 1   | 1   | 1   |     |
| 20                      | INSULATION TUBE         | COPPER TUBE - HOT GAS<br>370443G01 | H71020H10   | 1            | 1                                      | 1   | 1   | 1   |     |
| 21                      | EVAPORATOR ASSY         |                                    | 253985G01   | 1            | 1                                      | 1   | 1   | -   |     |
|                         |                         |                                    | 258402G01   | -            | -                                      | -   | -   | 1   |     |
| 22                      | THERMISTOR HOLDER       |                                    | 436455-01   | 1            | 1                                      | 1   | 1   | 1   |     |
| 23                      | THERMISTOR              | NBFC-36-H60-1                      | P00027-01   | 1            | 1                                      | 1   | 1   | 1   |     |
| 24                      | INSULATION - THERMISTOR |                                    | 471010Z01   | 1            | 1                                      | 1   | 1   | 1   |     |
| 25                      | CABLE TIE               | CV-100                             | 7920-0002   | 3            | 3                                      | 3   | 3   | 3   |     |

HA

| MODEL: <b>KM-101BAH</b> |                          | TITLE: <b>E. REFRIGERATION CIRCUIT</b> |             |              |         |         |         |     |
|-------------------------|--------------------------|--|-------------|--------------|---------|---------|---------|-----|
| INDEX NO.               | DESCRIPTION              | MATERIAL OR MODEL NUMBER               | PART NUMBER | REQ'D NUMBER |         |         |         |     |
|                         |                          |  |             | S-1,S-2      | S-3,T-1 | U-1,U-2 | V-1,V-2 | E-0 |
| 26                      | ACCUMULATOR              |  | P00010-02   | 1            | 1       | 1       | 1       | 1   |
| 27                      | ACCUMULATOR COVER        |  | 369039Z02   | 1            | 1       | 1       | 1       | 1   |
| 28                      | DRIER                    |  | P00007-01   | 1            | 1       | 1       | 1       | 1   |
| 29                      | PUSH MOUNT TIE           | T30RSF                                 | 436156-01   | 1            | 1       | 1       | 1       | 1   |
| 30                      | HEAT EXCHANGER           |  | 370322G01   | 1            | 1       | 1       | 1       | 1   |
| 31                      | COPPER TUBE - PROCESS(A) |  | 471008M01   | 1            | 1       | 1       | 1       | 1   |
| 32                      | SEPARATOR                |  | 250749-01   | 2            | 2       | 2       | 2       | 2   |
| 33                      | CABLE TIE                | CV-200                                 | 7920-0010   | 2            | 2       | 2       | 2       | 2   |
| 34                      | STARTING RELAY           | MM5-D2CH                               | P00359-01   | 1            | 1       | 1       | 1       | 1   |
| 35                      | MOTOR PROTECTOR          | MSP24ALZ-9011                          | P00360-01   | 1            | 1       | 1       | 1       | 1   |
| 36                      | PROTECTOR COVER          | 01-242281                              | P00355-01   | 1            | 1       | 1       | 1       | 1   |
| 37                      | CLAMP                    | 01-236384                              | 438846-01   | 1            | 1       | 1       | 1       | 1   |
| 38                      | CLIP                     | 01-246801                              | 438847-01   | 1            | 1       | 1       | 1       | 1   |
| 39                      | INSULATION TUBE          |  | H71323070   |              | 1       | 1       | 1       | 1   |
| 40                      | VALVE BODY               | AMS - B24BH DU - 1                     | 4A3275-01   | 1            | 1       | 1       | 1       | 1   |
| 41                      | COIL - VALVE             |  | 4A3277-01   | 1            | 1       | 1       | 1       | 1   |
| 42                      | BOLT                     |  | 4A3277F01   | 1            | 1       | 1       | 1       | 1   |
| 43                      | CABLE TIE                | CV-150                                 | 7920-0003   | 1            | 1       | 1       | 1       | 1   |
| 44                      | CABLE TIE                | CV-70                                  | 7920-0001   | 1            | 1       | 1       | 1       | 1   |

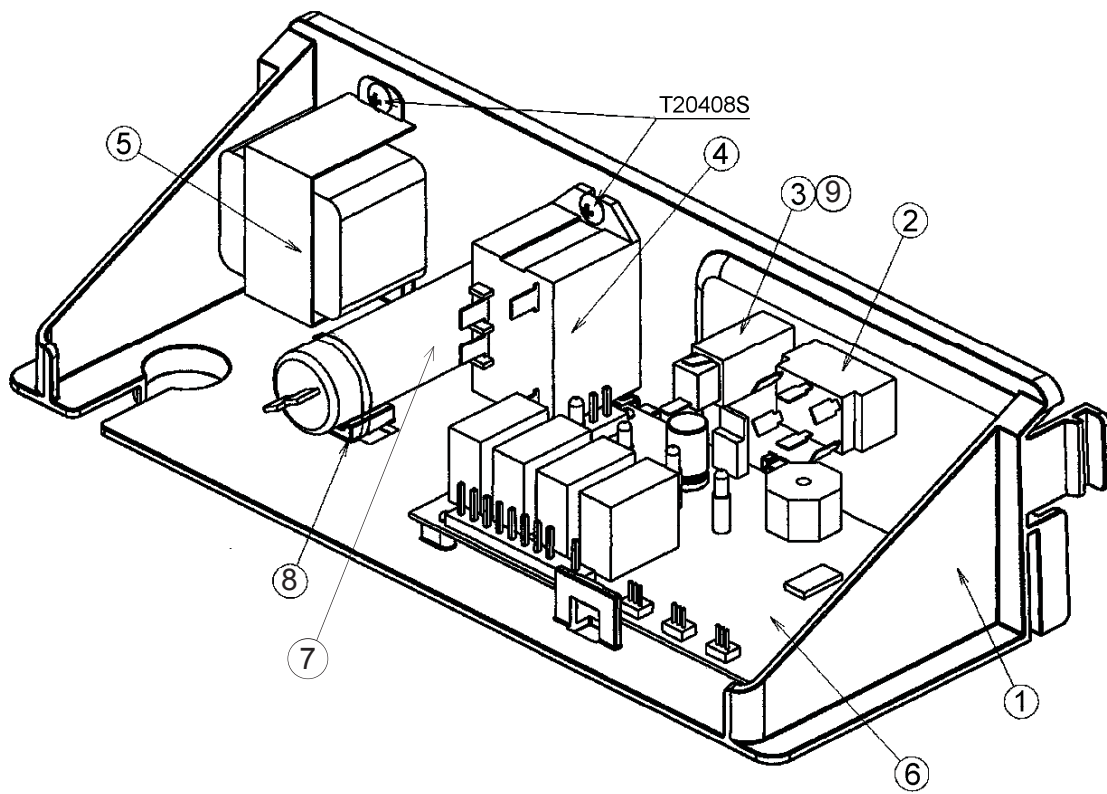
HA

| MODEL: <b>KM-101BAH</b> |                         | TITLE: <b>E. REFRIGERATION CIRCUIT</b> |             |              |  |  |  |  |
|-------------------------|-------------------------|--|-------------|--------------|--|--|--|--|
| INDEX NO.               | DESCRIPTION             | MATERIAL OR MODEL NUMBER               | PART NUMBER | REQ'D NUMBER |  |  |  |  |
|                         |                         |  |             | E-1          |  |  |  |  |
| 1                       | BASE                    |  | 370283G01   | 1            |  |  |  |  |
| 2                       | COMPRESSOR              | QA91K22CAU6-E0GS                       | P00024-01   | 1            |  |  |  |  |
| 3                       | RUBBER GROMMET          | 01-245970                              | 463983-01   | 4            |  |  |  |  |
| 4                       | BOLT                    | 8x35                                   | 436206-03   | 2            |  |  |  |  |
| 5                       | CONDENSER               |  | P00028-01   | 1            |  |  |  |  |
| 6                       | SHROUD                  |  | 368318-01   | 1            |  |  |  |  |
| 7                       | BRACKET - FM            |  | 470291-01   | 1            |  |  |  |  |
| 8                       | FAN MOTOR               | M4Q045-CA27-04                         | P00466-01   | 1            |  |  |  |  |
| 9                       | FAN BLADE               | 200 DIA (22°)                          | P00006-01   | 1            |  |  |  |  |
| 10                      | COPPER TUBE - H-1       | COPPER TUBE (H)<br>370320G01           | 370311M01   | 1            |  |  |  |  |
| 11                      | COPPER TUBE - H-2       | COPPER TUBE (H)<br>370320G01           | 470300-01   | 1            |  |  |  |  |
| 12                      | TEE                     | COPPER TUBE (H)<br>370320G01           | 420041-03   | 1            |  |  |  |  |
| 13                      | COPPER TUBE - H-4       |  | 471937M01   | 1            |  |  |  |  |
| 15                      | GROMMET SLEEVE          | 01-245960                              | 463984-01   | 2            |  |  |  |  |
| 16                      | STRAINER                |  | P00008-01   | 1            |  |  |  |  |
| 17                      | COPPER TUBE - H-3       |  | 471936M01   | 1            |  |  |  |  |
| 19                      | COPPER TUBE - HOT GAS   | COPPER TUBE - HOT GAS<br>370443G01     | 370443M01   | 1            |  |  |  |  |
| 20                      | INSULATION TUBE         | COPPER TUBE - HOT GAS<br>370443G01     | H71020H10   | 1            |  |  |  |  |
| 21                      | EVAPORATOR ASSY         |  | 253985G01   | -            |  |  |  |  |
|                         |                         |  | 258402G01   | 1            |  |  |  |  |
| 22                      | THERMISTOR HOLDER       |  | 436455-01   | 1            |  |  |  |  |
| 23                      | THERMISTOR              | NBFC-36-H60-1                          | P00027-01   | 1            |  |  |  |  |
| 24                      | INSULATION - THERMISTOR |  | 471010Z01   | 1            |  |  |  |  |
| 25                      | CABLE TIE               | CV-100                                 | 7920-0002   | 3            |  |  |  |  |

HA

| MODEL: <b>KM-101BAH</b> |                          | TITLE: <b>E. REFRIGERATION CIRCUIT</b> |             |              |  |  |  |  |
|-------------------------|--------------------------|--|-------------|--------------|--|--|--|--|
| INDEX NO.               | DESCRIPTION              | MATERIAL OR MODEL NUMBER               | PART NUMBER | REQ'D NUMBER |  |  |  |  |
|                         |                          |  |             | E-1          |  |  |  |  |
| 26                      | ACCUMULATOR              |  | P00010-02   | 1            |  |  |  |  |
| 27                      | ACCUMULATOR COVER        |  | 369039Z02   | 1            |  |  |  |  |
| 28                      | DRIER                    |  | P00007-01   | 1            |  |  |  |  |
| 29                      | PUSH MOUNT TIE           | T30RSF                                 | 436156-01   | 1            |  |  |  |  |
| 30                      | HEAT EXCHANGER           |  | 370322G01   | 1            |  |  |  |  |
| 31                      | COPPER TUBE - PROCESS(A) |  | 471008M01   | 1            |  |  |  |  |
| 32                      | SEPARATOR                |  | 250749-01   | 2            |  |  |  |  |
| 33                      | CABLE TIE                | CV-200                                 | 7920-0010   | 2            |  |  |  |  |
| 34                      | STARTING RELAY           | MM5-D2CH                               | P00359-01   | 1            |  |  |  |  |
| 35                      | MOTOR PROTECTOR          | MSP24ALZ-9011                          | P00360-01   | 1            |  |  |  |  |
| 36                      | PROTECTOR COVER          | 01-242281                              | P00355-01   | 1            |  |  |  |  |
| 37                      | CLAMP                    | 01-236384                              | 438846-01   | 1            |  |  |  |  |
| 38                      | CLIP                     | 01-246801                              | 438847-01   | 1            |  |  |  |  |
| 39                      | INSULATION TUBE          |  | H71323070   | 1            |  |  |  |  |
| 40                      | VALVE BODY               | AMS - B24BH DU - 1                     | 4A3275-01   | 1            |  |  |  |  |
| 41                      | COIL - VALVE             |  | 4A3277-01   | 1            |  |  |  |  |
| 42                      | BOLT                     |  | 4A3277F01   | 1            |  |  |  |  |
| 43                      | CABLE TIE                | CV-150                                 | 7920-0003   | 1            |  |  |  |  |
| 44                      | CABLE TIE                | CV-70                                  | 7920-0001   | 1            |  |  |  |  |



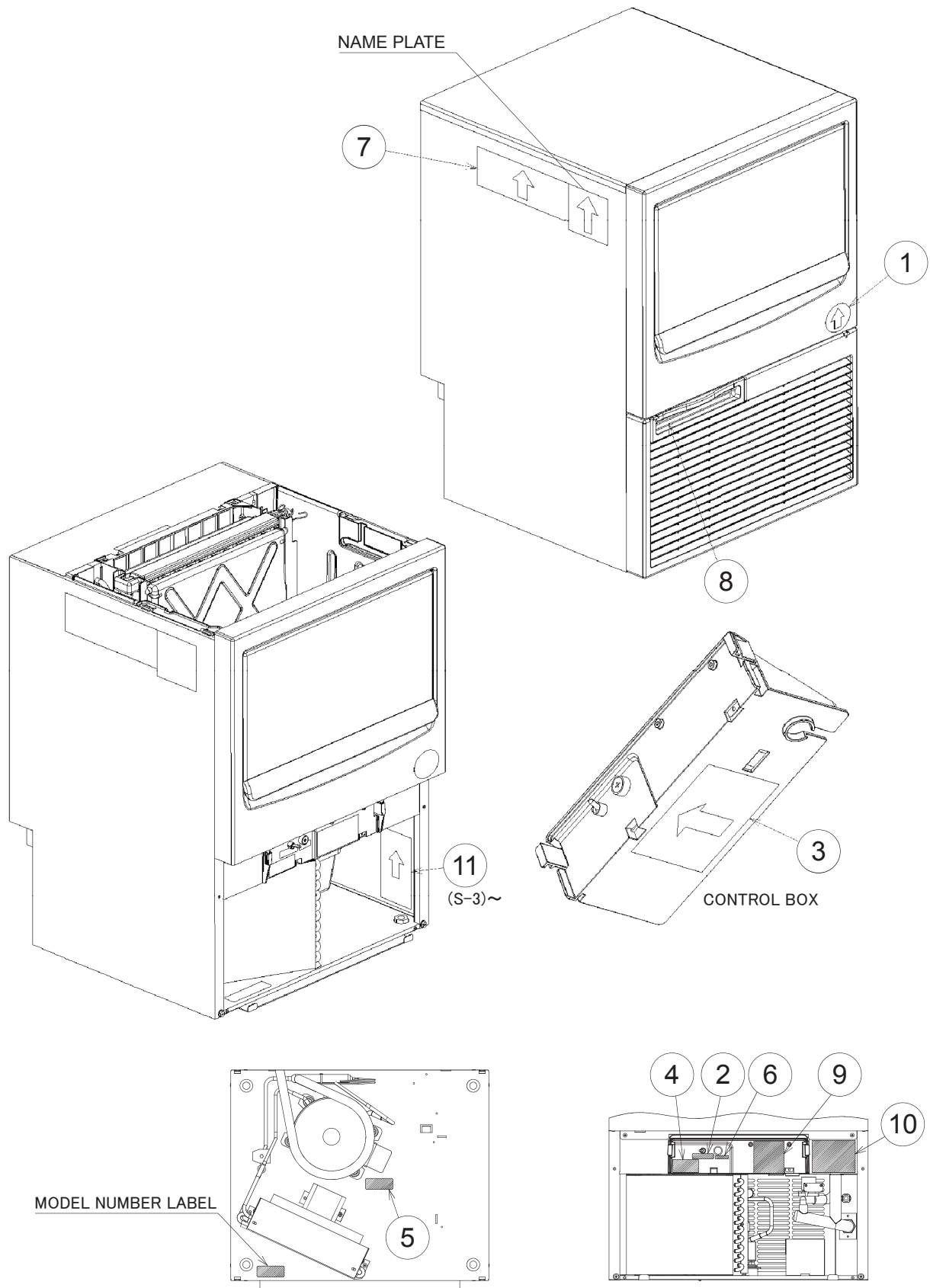


HA

| MODEL: <b>KM-101BAH</b> |                  | TITLE: <b>F. CONTROL BOX ASSY</b> |                           |              |         |         |         |         |
|-------------------------|------------------|-----------------------------------|---------------------------|--------------|---------|---------|---------|---------|
| INDEX NO.               | DESCRIPTION      | MATERIAL OR MODEL NUMBER          | PART NUMBER               | REQ'D NUMBER |         |         |         |         |
|                         |                  |                                   |                           | S-1,S-2      | S-3,T-1 | U-1,U-2 | V-1,V-2 | W-1,E-0 |
| 1                       | CONTROL BOX      |                                   | <a href="#">117624-01</a> | 1            | 1       | 1       | 1       | 1       |
| 2                       | TOGGLE SWITCH    | KND-203                           | <a href="#">P00033-01</a> | 1            | 1       | 1       | 1       | 1       |
| 3                       | FUSE HOLDER      | BF115                             | <a href="#">P00014-01</a> | 1            | 1       | 1       | 1       | 1       |
| 4                       | POWER RELAY      | G7L-1A-TUB                        | <a href="#">449000-01</a> | 1            | 1       | 1       | 1       | 1       |
| 5                       | TRANSFORMER      |                                   | <a href="#">3A4395-01</a> | 1            | 1       | 1       | 1       | 1       |
| 6                       | CONTROLLER BOARD | HKM2006V003                       | <a href="#">P01771-02</a> | 1            | 1       | 1       | 1       | 1       |
| 7                       | START CAPACITOR  | 100µF 160V                        | 4Y1175-01                 | 1            | 1       | 1       | 1       | 1       |
| 8                       | CABLE TIE        | CV-200                            | <a href="#">7920-0010</a> | 1            | 1       | 1       | 1       | 1       |
| 9                       | FUSE             | 125/250V 5A                       | <a href="#">420468-02</a> | 1            | 1       | 1       | 1       | 1       |

HA

| MODEL: <b>KM-101BAH</b> |                  | TITLE: <b>F. CONTROL BOX ASSY</b> |                           |              |  |  |  |  |
|-------------------------|------------------|-----------------------------------|---------------------------|--------------|--|--|--|--|
| INDEX NO.               | DESCRIPTION      | MATERIAL OR MODEL NUMBER          | PART NUMBER               | REQ'D NUMBER |  |  |  |  |
|                         |                  |                                   |                           | E-1          |  |  |  |  |
| 1                       | CONTROL BOX      |                                   | <a href="#">117624-01</a> | 1            |  |  |  |  |
| 2                       | TOGGLE SWITCH    | KND-203                           | <a href="#">P00033-01</a> | 1            |  |  |  |  |
| 3                       | FUSE HOLDER      | BF115                             | <a href="#">P00014-01</a> | 1            |  |  |  |  |
| 4                       | POWER RELAY      | G7L-1A-TUB                        | <a href="#">449000-01</a> | 1            |  |  |  |  |
| 5                       | TRANSFORMER      |                                   | <a href="#">3A4395-01</a> | 1            |  |  |  |  |
| 6                       | CONTROLLER BOARD | HKM2006V003                       | <a href="#">P01771-02</a> | 1            |  |  |  |  |
| 7                       | START CAPACITOR  | 100µF 160V                        | <a href="#">4Y1175-01</a> | 1            |  |  |  |  |
| 8                       | CABLE TIE        | CV-200                            | <a href="#">7920-0010</a> | 1            |  |  |  |  |
| 9                       | FUSE             | 125/250V 5A                       | <a href="#">420468-02</a> | 1            |  |  |  |  |

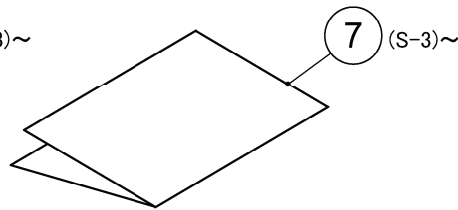
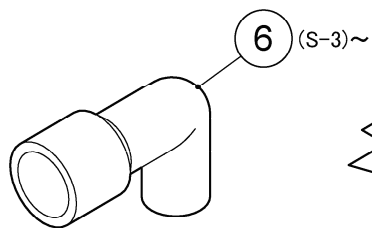
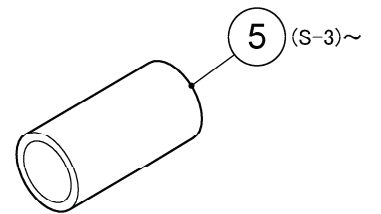
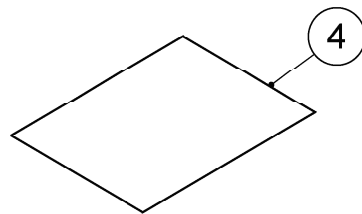
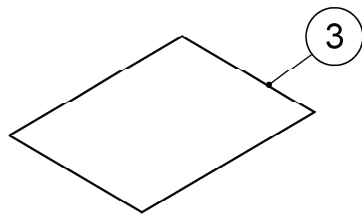
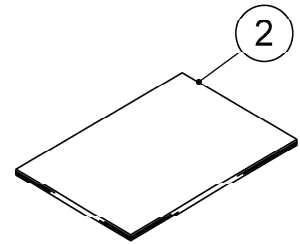
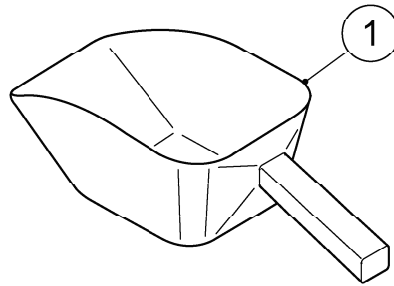
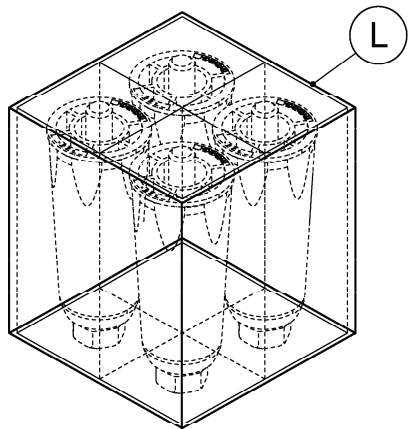


HA

| MODEL: <b>KM-101BAH</b> |                         | TITLE: <b>G. LABEL LOCATION</b> |             |              |         |         |         |         |
|-------------------------|-------------------------|---------------------------------|-------------|--------------|---------|---------|---------|---------|
| INDEX NO.               | DESCRIPTION             | MATERIAL OR MODEL NUMBER        | PART NUMBER | REQ'D NUMBER |         |         |         |         |
|                         |                         |                                 |             | S-1,S-2      | S-3,T-1 | U-1,U-2 | V-1,V-2 | W-1,E-0 |
| 1                       | LOGO LABEL - PENGUIN    |                                 | 471487L01   | 1            | 1       | 1       | 1       | 1       |
| 2                       | CONTROL LABEL - FUSE    |                                 | 476009L01   | 1            | 1       | 1       | 1       | 1       |
| 3                       | WIRING LABEL            |                                 | 370656L01   | 1            | 1       | 1       | 1       | 1       |
| 4                       | CAUTION LABEL           |                                 | 464507-01   | 1            | 1       | 1       | 1       | 1       |
| 5                       | LABEL - R134a           |                                 | 444463-01   | 1            | 1       | 1       | 1       | 1       |
| 6                       | -                       |                                 | -           | -            |         |         |         |         |
| 7                       | MAINTENANCE LABEL       |                                 | 369056L01   | 1            | 1       | 1       | 1       | 1       |
| 8                       | LABEL - AIR FILTER      |                                 | 426177-01   | 1            | 1       | 1       | 1       | 1       |
| 9                       | CAUTION LABEL - SERVICE |                                 | 370640L01   | 1            | 1       | 1       | 1       | 1       |
| 10                      | LABEL - ALARM           |                                 | 370310L01   | 1            | 1       | 1       | 1       | 1       |
| 11                      | LABEL /CONTROL BOARD    |                                 | 370605L02   |              | 1       | 1       | 1       | 1       |

HA

| MODEL: <b>KM-101BAH</b> |                         | TITLE: <b>G. LABEL LOCATION</b> |             |              |  |  |  |  |
|-------------------------|-------------------------|---------------------------------|-------------|--------------|--|--|--|--|
| INDEX NO.               | DESCRIPTION             | MATERIAL OR MODEL NUMBER        | PART NUMBER | REQ'D NUMBER |  |  |  |  |
|                         |                         |                                 |             | E-1          |  |  |  |  |
| 1                       | LOGO LABEL - PENGUIN    |                                 | 471487L01   | 1            |  |  |  |  |
| 2                       | CONTROL LABEL - FUSE    |                                 | 476009L01   | 1            |  |  |  |  |
| 3                       | WIRING LABEL            |                                 | 370656L01   | 1            |  |  |  |  |
| 4                       | CAUTION LABEL           |                                 | 464507-01   | 1            |  |  |  |  |
| 5                       | LABEL - R134a           |                                 | 444463-01   | 1            |  |  |  |  |
| 6                       | -                       |                                 | -           |              |  |  |  |  |
| 7                       | MAINTENANCE LABEL       |                                 | 369056L01   | 1            |  |  |  |  |
| 8                       | LABEL - AIR FILTER      |                                 | 426177-01   | 1            |  |  |  |  |
| 9                       | CAUTION LABEL - SERVICE |                                 | 370640L01   | 1            |  |  |  |  |
| 10                      | LABEL - ALARM           |                                 | 370310L01   | 1            |  |  |  |  |
| 11                      | LABEL /CONTROL BOARD    |                                 | 370605L02   | 1            |  |  |  |  |



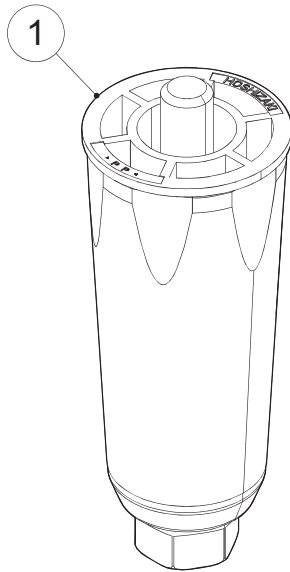
HA

| MODEL: <b>KM-101BAH</b> |                                 | TITLE: <b>K. ACCESSORIES</b> |             |              |         |         |         |     |
|-------------------------|---------------------------------|------------------------------|-------------|--------------|---------|---------|---------|-----|
| INDEX NO.               | DESCRIPTION                     | MATERIAL OR MODEL NUMBER     | PART NUMBER | REQ'D NUMBER |         |         |         |     |
|                         |                                 |                              |             | S-1,S-2      | S-3,T-1 | U-1,U-2 | V-1,V-2 | E-0 |
| L                       | LEG SET - UNC                   |                              | 472736A01   | 1            | 1       | 1       | 1       | 1   |
|                         |                                 |                              |             |              |         |         |         |     |
| 1                       | SCOOP                           |                              | 1H4123P02   | 1            | 1       | 1       | 1       | 1   |
| 2                       | INSTRUCTION MANUAL              |                              | L1M006105   | 1            | 1       | 1       | 1       | 1   |
| 3                       | WARRANTY CERTIFICATE            |                              | 2A4016-01   | 1            | 1       | 1       | 1       | 1   |
| 4                       | REGISTRATION CARD               |                              | 2A2894-01   | 1            | 1       | 1       | 1       | 1   |
| 5                       | JOINT PIPE                      |                              | 472483P01   | -            | 1       | 1       | 1       | 1   |
| 6                       | INLET HOSE                      |                              | 472482R01   | -            | 1       | 1       | 1       | 1   |
| 7                       | INSTALLATION SHEET - DRAIN PUMP |                              | 255307L01   | -            | 1       | 1       | 1       | 1   |



HA

| MODEL: <b>KM-101BAH</b> |                                 | TITLE: <b>K. ACCESSORIES</b> |             |              |  |  |  |  |
|-------------------------|---------------------------------|------------------------------|-------------|--------------|--|--|--|--|
| INDEX NO.               | DESCRIPTION                     | MATERIAL OR MODEL NUMBER     | PART NUMBER | REQ'D NUMBER |  |  |  |  |
|                         |                                 |                              |             | E-1          |  |  |  |  |
| L                       | LEG SET - UNC                   |                              | 472736A01   | 1            |  |  |  |  |
|                         |                                 |                              |             |              |  |  |  |  |
| 1                       | SCOOP                           |                              | 1H4123P02   | 1            |  |  |  |  |
| 2                       | INSTRUCTION MANUAL              |                              | L1M006105   | 1            |  |  |  |  |
| 3                       | WARRANTY CERTIFICATE            |                              | 2A4016-01   | 1            |  |  |  |  |
| 4                       | REGISTRATION CARD               |                              | 2A2894-01   | 1            |  |  |  |  |
| 5                       | JOINT PIPE                      |                              | 472483P01   | 1            |  |  |  |  |
| 6                       | INLET HOSE                      |                              | 472482R01   | 1            |  |  |  |  |
| 7                       | INSTALLATION SHEET - DRAIN PUMP |                              | 255307L01   | 1            |  |  |  |  |



HA

| MODEL: <b>KM-101BAH</b> |             | TITLE: <b>L. LEG SET - UNC</b> |             |              |         |         |         |         |
|-------------------------|-------------|--------------------------------|-------------|--------------|---------|---------|---------|---------|
| INDEX NO.               | DESCRIPTION | MATERIAL OR MODEL NUMBER       | PART NUMBER | REQ'D NUMBER |         |         |         |         |
|                         |             |                                |             | S-1,S-2      | S-3,T-0 | T-1,U-0 | U-1,V-0 | V-1,E-0 |
| 1                       | LEG - UNC   |                                | 371053G01   | 4            | 4       | 4       | 4       | 4       |

HA

| MODEL: <b>KM-101BAH</b> |             | TITLE: <b>L. LEG SET - UNC</b> |             |              |  |  |  |  |
|-------------------------|-------------|--------------------------------|-------------|--------------|--|--|--|--|
| INDEX NO.               | DESCRIPTION | MATERIAL OR MODEL NUMBER       | PART NUMBER | REQ'D NUMBER |  |  |  |  |
|                         |             |                                |             | E-1          |  |  |  |  |
| 1                       | LEG - UNC   |                                | 371053G01   | 4            |  |  |  |  |