

ISSUED: OCT. 1, 1995



**HOSHIZAKI
MODULAR CRESCENT CUBER**

MODEL

KM-280MAE

KM-280MWE

INSTRUCTION MANUAL

FOREWORD

IMPORTANT

Only qualified service technicians should attempt to install, service or maintain this icemaker. No such installation, service or maintenance should be undertaken until the technician has thoroughly read this Instruction Manual. Likewise, the owner/manager should not proceed to operate the icemaker until the installer has instructed them on its proper operation.

HOSHIZAKI provides this manual primarily to assist qualified service technicians in the installation, maintenance and service of the icemaker.

Should the reader have any questions or concerns which have not been satisfactorily addressed, please call or write to the HOSHIZAKI Care Department for assistance.

HOSHIZAKI AMERICA, INC.
618 Highway 74 South
Peachtree City, GA 30269

Attn: HOSHIZAKI Care Department

Phone: 1-800-233-1940 Technical Service
(770) 487-2331
Fax: (770) 487-3360

NOTE: To expedite assistance, all correspondence/communication **MUST** include the following information:

- Model Number
- Serial Number
- Complete and detailed explanation of the problem

- Please review this manual. It should be read carefully before the icemaker is installed and operated. Only qualified service technicians should install, service and maintain the icemaker. This manual should be made available to the technician prior to installation, maintenance or service.
- Keep this manual with the dispenser for later reference.

CONTENTS

	PAGE
I. SPECIFICATIONS	1
1. NAMEPLATE RATING	1
[a] KM-280MAE (Air-cooled)	1
[b] KM-280MWE (Water-cooled)	2
2. DIMENSIONS/CONNECTIONS	3
[a] KM-280MAE	3
[b] KM-280MWE	4
II. INSTALLATION AND OPERATING INSTRUCTIONS	5
1. CHECKS BEFORE INSTALLATION	5
2. HOW TO REMOVE PANELS	5
3. LOCATION	6
4. SET UP	6
5. ELECTRICAL CONNECTION	7
6. WATER SUPPLY AND DRAIN CONNECTIONS	8
7. FINAL CHECK LIST	10
8. START UP	11
9. PREPARING THE ICEMAKER FOR LONG STORAGE	12
III. MAINTENANCE AND CLEANING INSTRUCTIONS	14
1. CLEANING INSTRUCTIONS	14
[a] CLEANING PROCEDURE	14
[b] SANITIZING PROCEDURE	17
2. MAINTENANCE	18

I. SPECIFICATIONS

1. NAMEPLATE RATING

[a] KM-280MAE (Air-cooled)

HOSHIZAKI ICE MAKER			
MODEL NUMBER	KM-280MAE		
SERIAL NUMBER			
AC SUPPLY VOLTAGE	115-120/60/1		
COMPRESSOR	115V	9.5RLA	51LRA
PUMP	120V	0.5FLA	10W
FAN	120V	0.7FLA	50W
OTHER	115-120V	0.2A	
MAXIMUM FUSE SIZE	20 AMPS		
MAX. HACR BREAKER (USA ONLY)	20 AMPS		
MAX. CIRC. BREAKER (CANADA ONLY)	20 AMPS		
MINIMUM CIRCUIT AMPACITY	20 AMPS		
DESIGN PRESSURE	HI-427PSI LO-210PSI		
REFRIGERANT	22	11 OZ.	
MOTOR-COMPRESSOR THERMALLY PROTECTED			
NOT INTENDED FOR OUTDOOR USE			

HOSHIZAKI AMERICA, INC.
Peachtree City, GA

LISTED ICE MAKER WITHOUT STORAGE MEANS 9462

UL NSF COMPONENT





See the Nameplate for electrical and refrigeration specifications. This Nameplate is located on the upper right hand side of the Rear Panel. Since this Nameplate is located on the Rear Panel of the icemaker, it cannot be read when the back of the icemaker is against a wall or against another piece of kitchen equipment. Therefore, the necessary electrical and refrigeration information is also on the rating label, which can be seen easily by removing only the Front Panel of the icemaker.

We reserve the right to make changes in specifications and design without prior notice.

[b] KM-280MWE (Water-cooled)

HOSHIZAKI ICE MAKER			
MODEL NUMBER	KM-280MWE		
SERIAL NUMBER			
AC SUPPLY VOLTAGE	115-120/60/1		
COMPRESSOR	120V	8.2RLA	51LRA
PUMP	120V	0.5FLA	10W
FAN	---	---	---
OTHER	115-120V	0.2A	
MAXIMUM FUSE SIZE	20 AMPS		
MAX. HACR BREAKER (USA ONLY)	20 AMPS		
MAX. CIRC. BREAKER (CANADA ONLY)	20 AMPS		
MINIMUM CIRCUIT AMPACITY	20 AMPS		
DESIGN PRESSURE	HI-395PSI LO-210PSI		
REFRIGERANT	22	11 OZ.	
MOTOR-COMPRESSOR THERMALLY PROTECTED			
NOT INTENDED FOR OUTDOOR USE			

HOSHIZAKI AMERICA, INC.
Peachtree City, GA

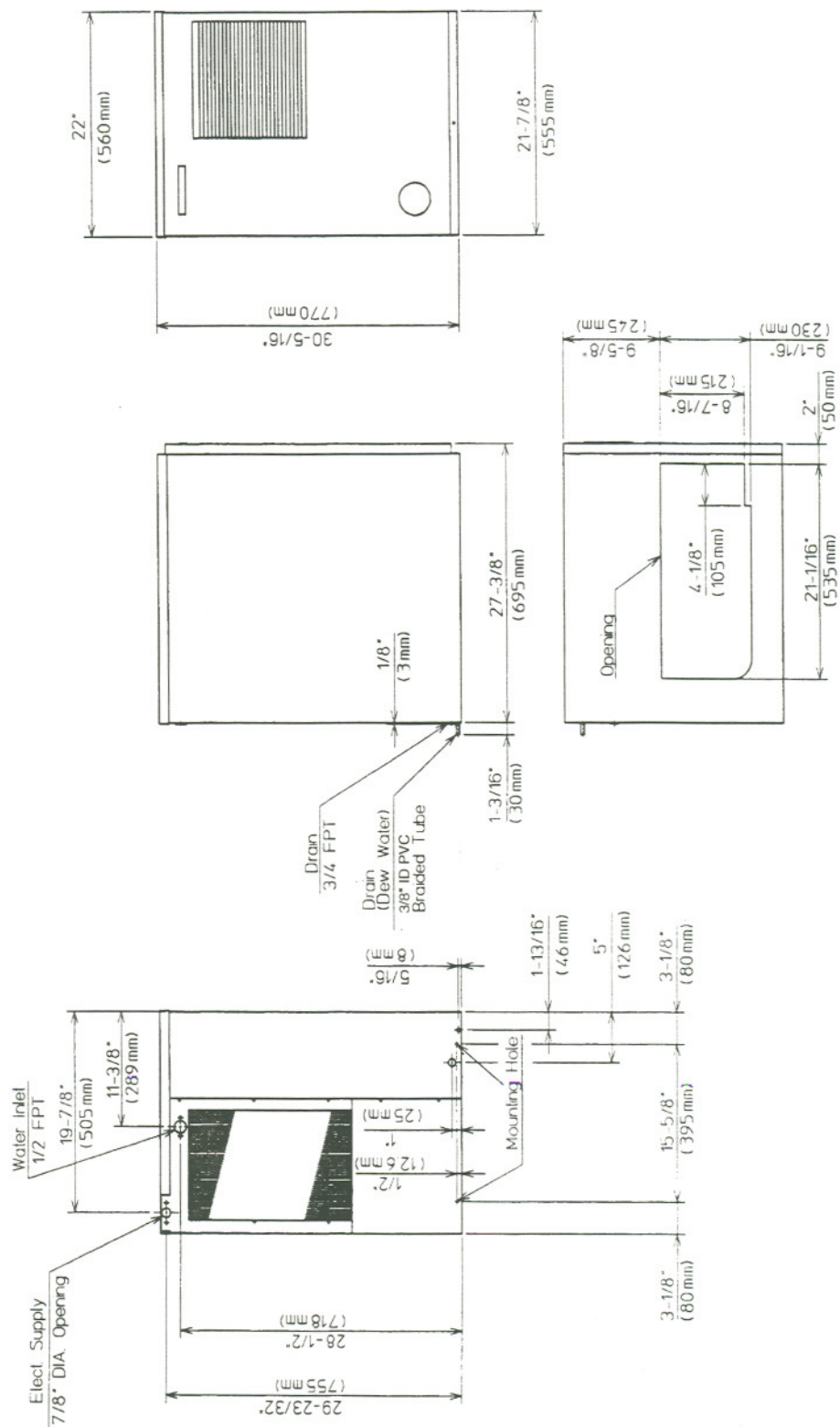
 LISTED ICE MAKER WITHOUT STORAGE MEANS 946Z		
		COMPONENT
		

See the Nameplate for electrical and refrigeration specifications. This Nameplate is located on the upper right hand side of the Rear Panel. Since this Nameplate is located on the Rear Panel of the icemaker, it cannot be read when the back of the icemaker is against a wall or against another piece of kitchen equipment. Therefore, the necessary electrical and refrigeration information is also on the rating label, which can be seen easily by removing only the Front Panel of the icemaker.

We reserve the right to make changes in specifications and design without prior notice.

2. DIMENSIONS/CONNECTIONS

[a] KM-280MAE



II. INSTALLATION AND OPERATING INSTRUCTIONS

IMPORTANT

Only qualified service technicians should attempt to install, service or maintain the icemaker. No such installation, service or maintenance should be undertaken until the technician has thoroughly read this Instruction Manual.

1. CHECKS BEFORE INSTALLATION

IMPORTANT

Remove shipping carton, tape(s) and packing. If packing material is left in the icemaker, it will not work properly.

- 1) Remove the panels to prevent damage when installing the icemaker. See "2. HOW TO REMOVE PANELS."
- 2) Remove the package containing the accessories.
- 3) Remove the protective plastic film from the panels. If the icemaker is exposed to the sun or to heat, remove the film after the icemaker cools.
- 4) Check that the refrigerant lines do not rub or touch lines or other surfaces, and that the fan blade turns freely.
- 5) Check that the Compressor is snug on all mounting pads.
- 6) See the Nameplate on the Rear Panel, and check that your voltage supplied corresponds with the voltage specified on the Nameplate.
- 7) This icemaker needs a storage bin. The recommended storage bin is HOSHIZAKI ICE STORAGE BIN, Model B-300 series.

2. HOW TO REMOVE PANELS - See Fig. 1

- a) Front Panel..... Remove the screw.
Lift up and pull toward you.
- b) Top Panel Lift up slightly its front, push away, and then lift off.
- c) Side Panel (R) Remove the screw.
Pull slightly toward you, and lift off.
- d) Insulation Panel... Lift up slightly, and pull toward you.
- e) Base Cover Lift up slightly, and pull toward you.

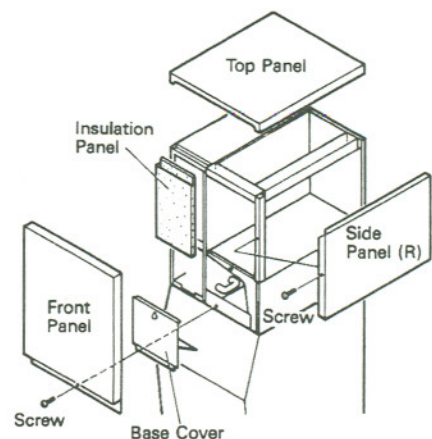


Fig. 1

3. LOCATION

IMPORTANT

This icemaker is not intended for outdoor use. Normal operating ambient temperature should be within +45°F to +100°F; Normal operating water temperature should be within +45°F to +90°F. Operation of the icemaker, for extended periods, outside of these normal temperature ranges may affect production capacity.

For best operating results:

- Icemaker should not be located next to ovens, grills or other high heat producing equipment.
- Location should provide a firm and level foundation for the equipment.
- Allow 6" clearance at rear, sides and top for proper air circulation and ease of maintenance and/or service should they be required.

4. SET UP

- 1) Unpack the Storage Bin, and attach the four adjustable legs provided (bin accessory) to the bottom of the Storage Bin.
- 2) Position the Storage Bin in the selected permanent position.
- 3) Place the icemaker on the top of the Storage Bin.
- 4) Secure the icemaker to the Storage Bin, by using the two mounting bracket and the four bolts provided. See Fig. 2
- 5) Level the icemaker/Storage Bin in both the left-to-right and front-to-rear directions. Adjust the Ice Bin Legs to make the icemaker level.
- 6) Replace the panels in their correct positions.

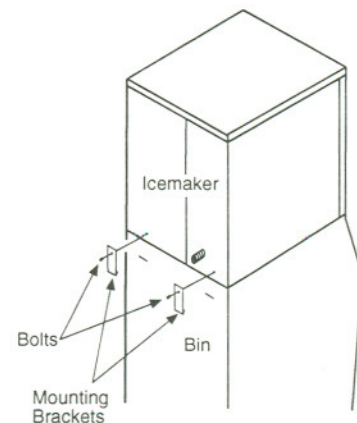


Fig. 2

5. ELECTRICAL CONNECTION

WARNING

1. Electrical connection must be made in accordance with the instructions on a "WARNING" tag, provided with the pigtail leads in the Junction Box.
2. This icemaker requires a ground that meets the national and local electrical code requirements. To prevent possible electrical shock to individuals or extensive damage to the equipment, install a proper ground wire to the icemaker.

- The white lead must be connected to the neutral conductor of the power source. Miswiring results in severe damage to the icemaker. See Fig. 3.
- This icemaker must have a separate power supply or receptacle of proper capacity. See the Nameplate.
- The opening for the power supply connection is 7/8" DIA to fit a 1/2" trade size conduit.
- Usually an electrical permit and services of a licensed electrician are required.

WARNING

ELECTRICAL CONNECTION

The white lead must be connected to the neutral conductor of the power source.
Miswiring results in severe damage to the icemaker.
(See Fig. below.)

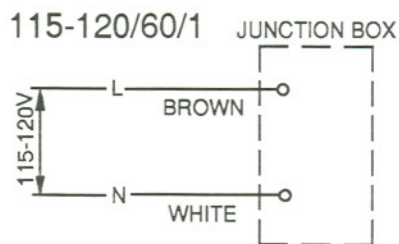


Fig. 3

6. WATER SUPPLY AND DRAIN CONNECTIONS - See Fig. 4

IMPORTANT

To prevent damage to the pump assembly, do not operate the icemaker when the water supply is OFF, or if the pressure is below 10 PSIG. Do not run the icemaker until the proper water pressure is reached.

- Water supply inlet is 1/2" female pipe thread (FPT).

Note: On water-cooled model, two water supply inlets are provided. One is for the ice making water inlet, and the other is for the cooling water inlet.

- A water supply line shut-off valve and drain valve should be installed. A minimum of 3/8" OD copper tubing is recommended for the water supply lines.

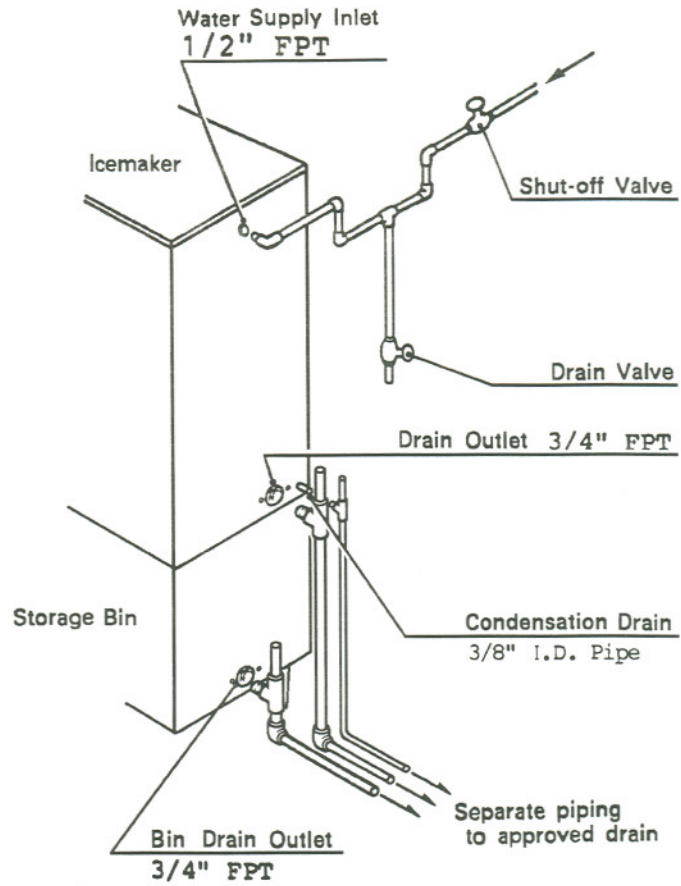
Note: An optional strainer should be installed next to the water supply inlet in the water supply line: HOSHIZAKI recommended optional strainer Part Code 311166A01.

- Water supply pressure should be a minimum of 10 PSIG and a maximum of 113 PSIG. If the pressure exceeds 113 PSIG, the use of a pressure reducing valve is required.
- Drain outlet for icemaker dump is 3/4" FPT. The drain for condensation is a 3/8" ID pipe. The icemaker drain and the condenser drain piping connections must be made separately from the bin drain.

Note: On water-cooled model, a 1/2" FPT is provided for the condenser drain outlet.

- The drains must have 1/4" fall per foot on horizontal runs to get a good flow.
- The drains should not be piped directly to the sewer system. An air gap of a minimum of 2 vertical inches should be between the end of the drain pipe from the icemaker or the ice bin and the floor drain.
- This icemaker should be installed in accordance with applicable national, state and local regulations.
- A plumbing permit and services of a licensed plumber may be required in some areas.
- In some areas, a back flow preventer may be required in the cooling water circuit.

KM-280MAE



KM-280MWE

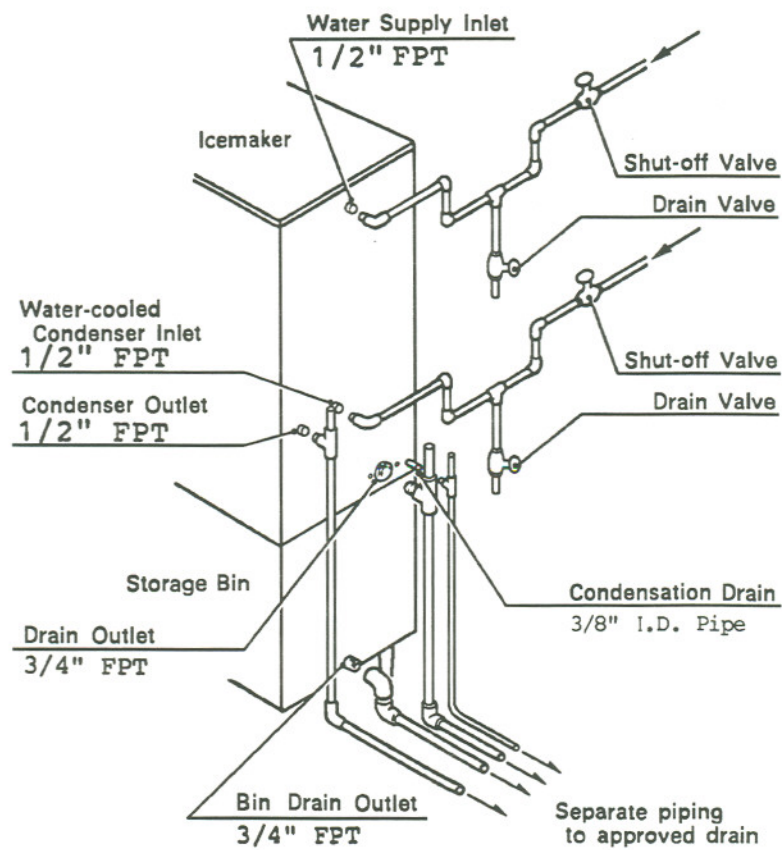


Fig. 4

AIAA10A9510

7. FINAL CHECK LIST

- 1) Is the icemaker level?
- 2) Is the icemaker in a site where the ambient temperature is within +45°F to +100°F and the water temperature within +45°F to +90°F all year around?
- 3) Is there at least 6" clearance at sides, rear and top of the icemaker for maintenance or service?
- 4) Have all shipping carton, tapes and packing been removed from the icemaker? Is the cube guide in its correct position?
- 5) Have all electrical and piping connections been made?
- 6) Has the power supply voltage been checked or tested against the nameplate rating? And has a proper ground been installed in the icemaker?
- 7) Are the Water Supply Line Shut-off Valve and Drain Valve installed? Has the water supply pressure been checked to ensure a minimum of 10 PSIG and a maximum of 113 PSIG?

Note: The icemaker may stop running when the water supply is OFF, or if the pressure is below 10 PSIG. When the proper water pressure is reached, the icemaker automatically starts running again.

- 8) Have the compressor hold-down bolts and refrigerant lines been checked against vibration and possible failure?
- 9) Has the Bin Control Switch been checked for correct operation? When the icemaker is running, hold an ice cube in contact with the Bulb. The icemaker should stop within 10 seconds.
- 10) Has the end user been given the instruction manual, and instructed on how to operate the icemaker and the importance of the recommended periodic maintenance?
- 11) Has the end user been given the name and telephone number of an authorized service agent?
- 12) Has the warranty tag been filled out and forwarded to the factory for warranty registration?

8. START UP

IMPORTANT

1. All parts are factory-adjusted. Improper adjustments may result in failure.
2. If the unit is turned off, wait for at least 3 minutes before restarting the icemaker to prevent damage to the Compressor.
3. Do not operate the unit in the "WASH" position without water in the Water Tank. This will cause damage to the Water Pump seal.

- 1) Open the Water Supply Line Shut-off Valve. See Fig. 4.
- 2) Remove the Front Panel by removing the screw at the bottom of the panel, swinging the panel out and lifting it up. See Fig. 5.

- 3) Move the Control Switch, on the Control Box, to the "ICE" position.

- 4) Replace the Front Panel in its correct position.

- 5) Turn on the power supply, and allow the Water Tank to fill with water and the icemaker to operate for a total of 10 minutes.

- 6) Turn off the power supply, and remove the Front Panel and the Base Cover. See Fig. 6

- 7) Remove the end of the Pump Tubing toward the back of the machine, and drain the Water Tank. See Fig. 7.

- 8) Replace the Pump Tubing in its correct position.

- 9) Clean the Storage Bin.

- 10) Replace the Base Cover and the Front Panel in their correct positions.

- 11) Turn on the power supply, and start the automatic icemaking process.

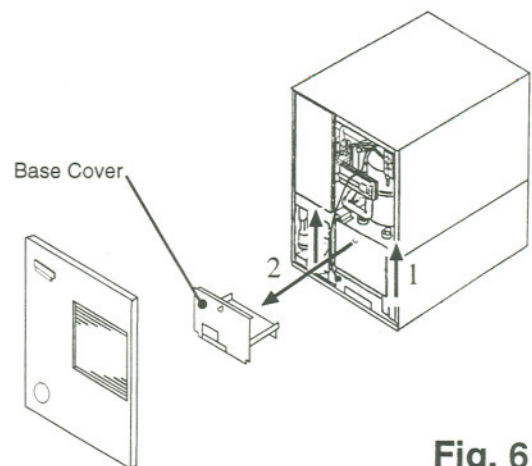
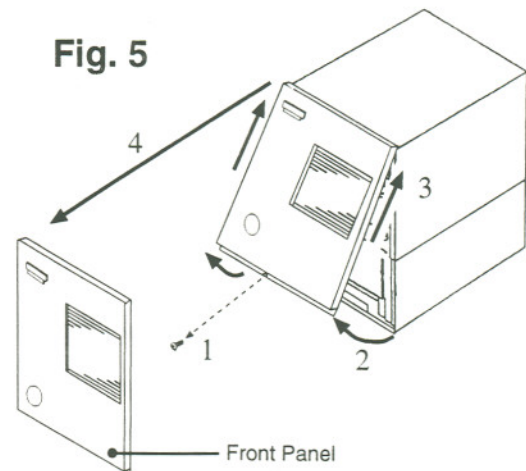
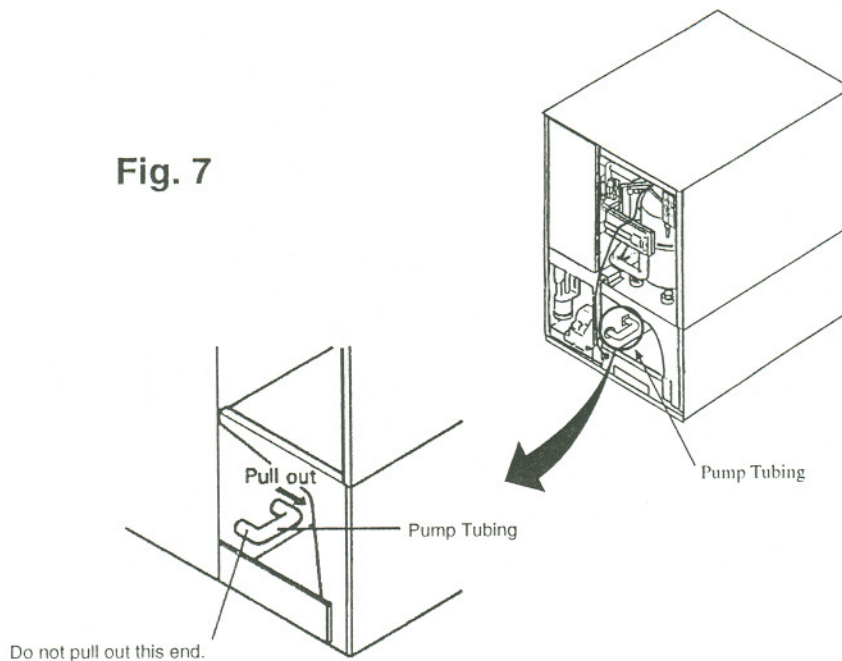


Fig. 7



9. PREPARING THE ICEMAKER FOR LONG STORAGE

IMPORTANT

When shutting off the icemaker for an extended time, drain out all water from the water line and remove the ice from the Storage Bin. The Storage Bin should be cleaned and dried. Drain the icemaker to prevent damage to the water supply line at sub-freezing temperatures, using air or carbon dioxide. Shut off the icemaker until the proper ambient temperature is resumed.

- When the icemaker is not used for two or three days, it is sufficient to only move the Control Switch to the "OFF" position, unless the icemaker will be at sub-freezing temperatures.

[1] On water-cooled model only, first remove the water from the water-cooled condenser:

- 1) Remove the Front Panel. See Fig. 5.
- 2) Move the Control Switch, on the Control Box, to the "OFF" position.
- 3) Wait 3 minutes.
- 4) Move the Control Switch to the "ICE" position.
- 5) Allow 5 minutes for the icemaker to fill with water and the Water Pump to start operating.
- 6) Close the Water-cooled Condenser Water Supply Line Shut-off Valve. See Fig. 4.

- 7) Open the Drain Valve for the water-cooled condenser water supply line. See Fig. 4.
- 8) Allow the line to drain by gravity.
- 9) Attach compressed air or carbon dioxide supply to the Condenser Water Line Drain Valve.
- 10) Quickly blow the water-cooled condenser out using compressed air or carbon dioxide until water stops coming out.

[2] Remove the water from the potable water supply line:

- 1) Remove the Front Panel. (Already removed on water-cooled model.)
- 2) Move the Control Switch, on the Control Box, to the "OFF" position.
- 3) Wait 3 minutes.
- 4) Close the Potable Water Supply Line Shut-off Valve and open the Potable Water Supply Line Drain Valve. See Fig. 4.
- 5) Allow the line to drain by gravity.
- 6) Attach compressed air or carbon dioxide supply to the Potable Water Line Drain Valve.
- 7) Move the Control Switch to the "ICE" position.
- 8) Blow the potable water line out using compressed air or carbon dioxide.

[3] Drain the Potable Water Tank:

- 1) Turn off the power supply.
- 2) Move the Control Switch, on the Control Box, to the "OFF" position.
- 3) Remove the Base Cover. See Fig. 6.
- 4) Remove the back end of the Pump Tubing, and drain the Water Tank. See Fig. 7.
- 5) Replace the Pump Tubing and the Base Cover in their correct positions.
- 6) Remove all ice from the Storage Bin, and clean the Storage Bin.
- 7) Replace the Front Panel in its correct position.

III. MAINTENANCE AND CLEANING INSTRUCTIONS

1. CLEANING INSTRUCTIONS

CAUTION

1. HOSHIZAKI recommends cleaning this unit at least once a year. More frequent cleaning, however, may be required in some existing water conditions.
2. To prevent injury to individuals and damage to the icemaker, do not use ammonia type cleaners.
3. Always wear liquid-proof gloves for safe handling of the cleaning and sanitizing solution. This will prevent irritation in case the solution comes into contact with the skin.

[a] CLEANING PROCEDURE

- 1) Dilute approximately 16 fl. oz. of recommended cleaner ("LIME-A-WAY," Economics Laboratory, Inc.) with 3 gal. of water.
- 2) Remove all ice from the Evaporator and the Storage Bin.

Note: To remove cubes on the Evaporator, turn off the power supply and turn it on after 3 minutes. The defrost cycle starts and the cubes will be removed from the Evaporator.

- 3) Turn off the power supply.
- 4) Remove the Front Panel and the Base Cover. See Figs. 5 and 6. Then remove the Insulation Panel by lifting it up slightly and pulling it toward you. See Fig. 8.
- 5) Remove the back end of the Pump Tubing. Drain the Water Tank. Replace the Pump Tubing in its correct position. See Fig. 7.
- 6) Pour the cleaning solution into the Water Tank. See Fig. 9.

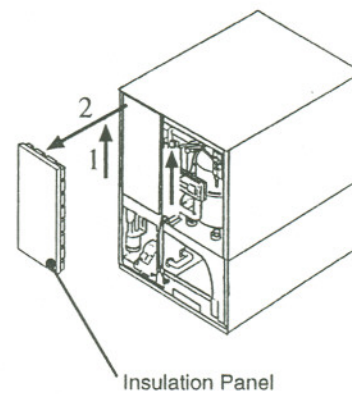


Fig. 8

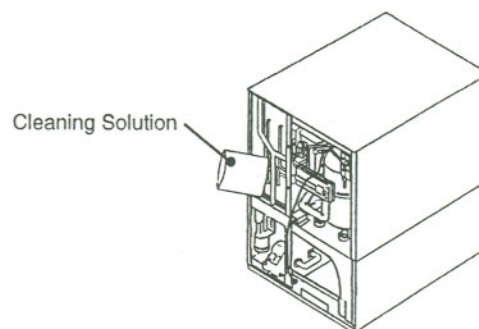


Fig. 9

- 7) Fully open the Cleaning Valve on the left side wall of the machine compartment.
See Fig. 10.

IMPORTANT

1. The Cleaning Valve is used to provide access to the inside of the Evaporator during the cleaning and sanitizing operation. It should be closed for all icemaking operation. The Compressor will not operate unless this valve is completely closed.
2. To open the Cleaning Valve, the Valve Handle should be parallel to the valve body. To close the valve, the Valve Handle should be at a right angle to the valve body.

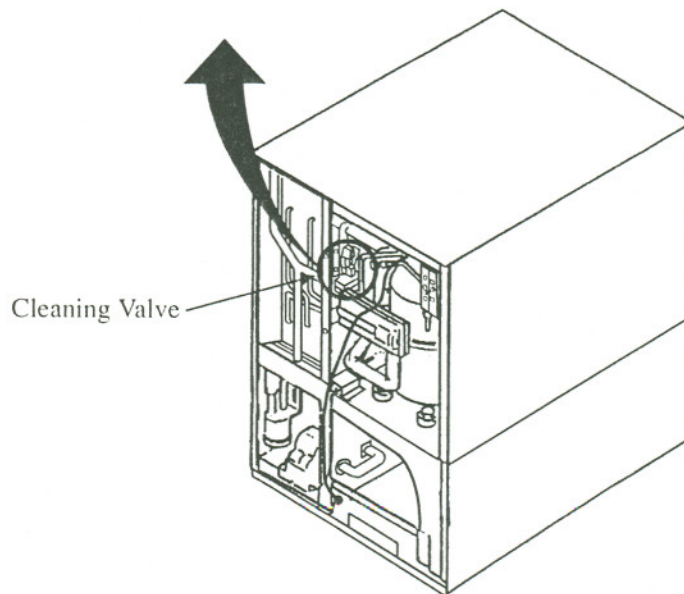
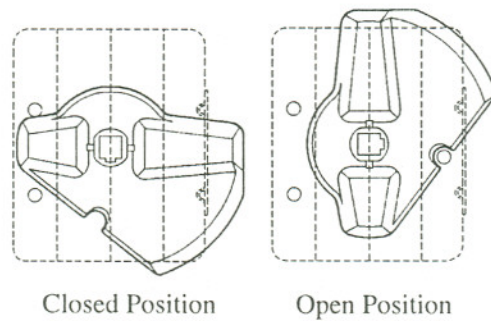


Fig. 10

- 8) Move the Control Switch, on the Control Box, to the "WASH" position
- 9) Replace the Insulation Panel and the Front Panel in their correct positions.
- 10) Turn on the power supply, and start the washing process.
- 11) Turn off the power supply after 30 minutes.
- 12) Remove the Front Panel.
- 13) Remove the back end of the Pump Tubing. Drain the Water Tank. Replace the Pump Tubing in its correct position.
- 14) Move the Control Switch to the "ICE" position.
- 15) Close the Cleaning Valve. See Fig 10.
- 16) Replace the Front Panel in its correct position.
- 17) Turn on the power supply to fill the Water Tank with water.
- 18) Turn off the power supply after 3 minutes.
- 19) Remove the Front Panel, and fully open the Cleaning Valve.
- 20) Move the Control Switch to the "WASH" position.
- 21) Replace the Front Panel in its correct position.
- 22) Turn on the power supply to rinse off the cleaning solution.
- 23) Turn off the power supply after 5 minutes.
- 24) Remove the Front Panel.
- 25) Remove one end of the Pump Tubing. Drain the Water Tank. Replace the Pump Tubing in its correct position.
- 26) Repeat the above steps 14) through 25) three more times to rinse thoroughly.

Note: If you do not sanitize the icemaker, go to Step 10) in "[b] SANITIZING PROCEDURE."

[b] SANITIZING PROCEDURE - Following Cleaning Procedure

- 1) Dilute approximately 1.5 fl. oz. of a 5.25 % Sodium Hypochlorite solution with 3 gal. of water.
- 2) Remove the Insulation Panel.
- 3) Pour the sanitizing solution into the Water Tank. See Fig. 9.
- 4) Replace the Insulation Panel and the Front Panel in their correct positions.

Note: Make sure that the Control Switch is in the "WASH" position and the Cleaning Valve is open.

- 5) Turn on the power supply, and start the sanitizing process.
- 6) Turn off the power supply after 15 minutes.
- 7) Remove the Front Panel.
- 8) Remove one end of the Pump Tubing. Drain the Water Tank. Replace the Pump Tubing in its correct position.
- 9) Repeat the above steps 14) through 25) in "[a] CLEANING PROCEDURE" two times to rinse thoroughly.
- 10) Close the Cleaning Valve.
- 11) Move the Control Switch to the "ICE" position.
- 12) Replace the Front Panel and the Base Cover in their correct positions.
- 13) Clean the Storage Bin with water.
- 14) Turn on the power supply, and start the automatic icemaking process.

2. MAINTENANCE

IMPORTANT

This icemaker must be maintained individually, referring to the instruction manual and labels provided with the machine.

1) Stainless Steel Exterior

To prevent corrosion, wipe the exterior occasionally with a clean and soft cloth. Use a damp cloth containing a neutral cleaner to wipe off oil or dirt build up.

2) Storage Bin and Scoop

- Wash your hands before removing ice. Use the plastic scoop provided (Accessory).
- The Storage Bin is for ice use only. Do not store anything else in the bin.
- Keep the scoop clean. Clean it by using a neutral cleaner and rinse thoroughly.
- Clean the bin liner by using a neutral cleaner. Rinse thoroughly after cleaning.

3) Air Filter (Air-cooled model only)

A plastic mesh air filter removes dirt or dust from the air, and keeps the Condenser from getting clogged. As the filter gets clogged, the icemaker's performance will be reduced. Check the filter at least twice a month. When clogged, use warm water and a neutral cleaner to wash the filter.

4) Condenser (Except water-cooled model)

Check the Condenser once a year, and clean if required by using a brush or vacuum cleaner. More frequent cleaning may be required depending on the location of the icemaker.

HOSHIZAKI

HOSHIZAKI AMERICA, INC.

618 HIGHWAY 74 SOUTH
PEACHTREE CITY, GA 30269
U.S.A.
PHONE: 770-487-2331

91AIAA10A