

# Hoshizaki America, Inc.

## Stackable Crescent Cuber

### Models

KM-130ISAH/3, SWH/3, SRH/3



“A Superior Degree  
of Reliability”

[www.hoshizaki.com](http://www.hoshizaki.com)

## PARTS LIST



Number: 71290  
Issued: 11-25-2008  
Revised: 9-29-2015

**CONTENTS**

- Auxiliary Codes..... 3
- Note About Ordering Parts ..... 4
- A. Main Assembly & Refrigeration Circuit ..... 5
  - KM-1301SAH/3..... 5
  - KM-1301SWH/3..... 8
  - KM-1301SRH/3..... 11
- B. Water Circuit ..... 14
- C. Control Box Assembly ..... 17
- D. Accessories & Labels ..... 19

## Auxiliary Codes

### **KM-1301SAH**

T-0 October 2008  
U-0 January 2009  
U-1 September 2009  
V-0 January 2010  
V-1 June 2010  
V-2 July 2010  
A-0 January 2011  
A-1 November 2011  
B-0 January 2012  
C-0 January 2013  
D-1 January 2014  
E-0 January 2015  
E-1 August 2015

### **KM-1301SWH**

T-0 September 2008  
U-0 March 2009  
U-1 September 2009  
V-0 January 2010  
V-1 June 2010  
V-2 July 2010  
A-0 January 2011  
A-1 November 2011  
B-0 January 2012  
C-0 February 2013  
C-1 March 2013  
D-1 November 2014  
E-0 February 2015  
E-1 August 2015

### **KM-1301SRH**

T-0 October 2008  
U-0 January 2009  
U-1 September 2009  
V-0 January 2010  
V-1 June 2010  
V-2 July 2010  
A-0 January 2011  
A-1 October 2011  
B-0 January 2012  
C-0 January 2013  
D-1 June 2014  
E-0 January 2015  
E-1 August 2015

### **KM-1301SAH3**

T-0 October 2008  
U-0 February 2009  
U-1 November 2009  
V-0 February 2010  
V-1 June 2010  
V-2 July 2010  
A-0 January 2011  
A-1 November 2011  
B-0 January 2012  
C-0 January 2013  
D-0 January 2014  
E-0 January 2015  
E-1 August 2015

### **KM-1301SWH3**

T-0 September 2008  
U-0 April 2009  
U-1 November 2009  
V-0 March 2010  
V-2 June 2010  
A-0 February 2011  
D-0 April 2014  
E-0 January 2015  
E-1 August 2015

### **KM-1301SRH3**

T-0 October 2008  
U-0 January 2009  
U-1 September 2009  
V-0 January 2010  
V-1 June 2010  
V-2 July 2010  
A-0 January 2011  
A-1 November 2011  
B-0 January 2012  
C-0 January 2013  
D-0 October 2014  
E-0 January 2015  
E-1 August 2015

## **Auxiliary Code Breakdown**

The auxiliary code is the first two characters in the serial number. The first character indicates the year. Years progress or regress in alphabetical order. The series runs from "A" through "V" and the letters "I" and "O" are skipped. The second character indicates significant part changes within a year. Base is "0" and this number advances for each change. In cases where there is a letter in parentheses, this designates the month. This is the last character in the serial number. The series runs from "(A)" through "(M)" and the letter "(I)" is skipped. This designation is only included when identifying a parts change within an auxiliary code.

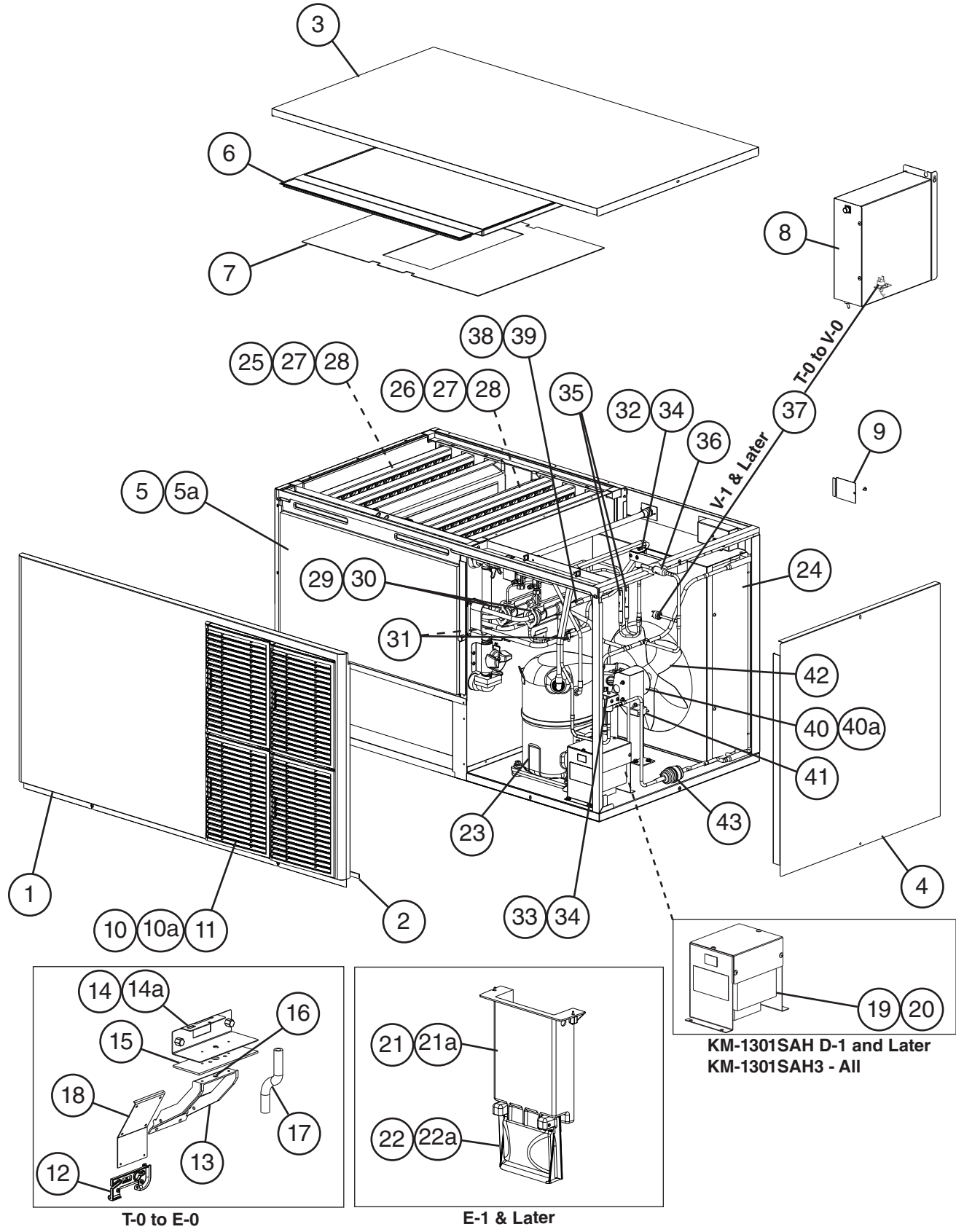
## **Note About Ordering Parts**

Most assemblies cannot be ordered as complete units; parts in the assemblies generally must be ordered separately.

# A. Main Assembly & Refrigeration Circuit

## KM-1301SAH/3

T-0 to E-1



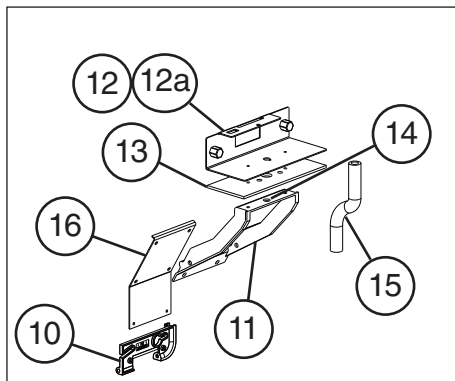
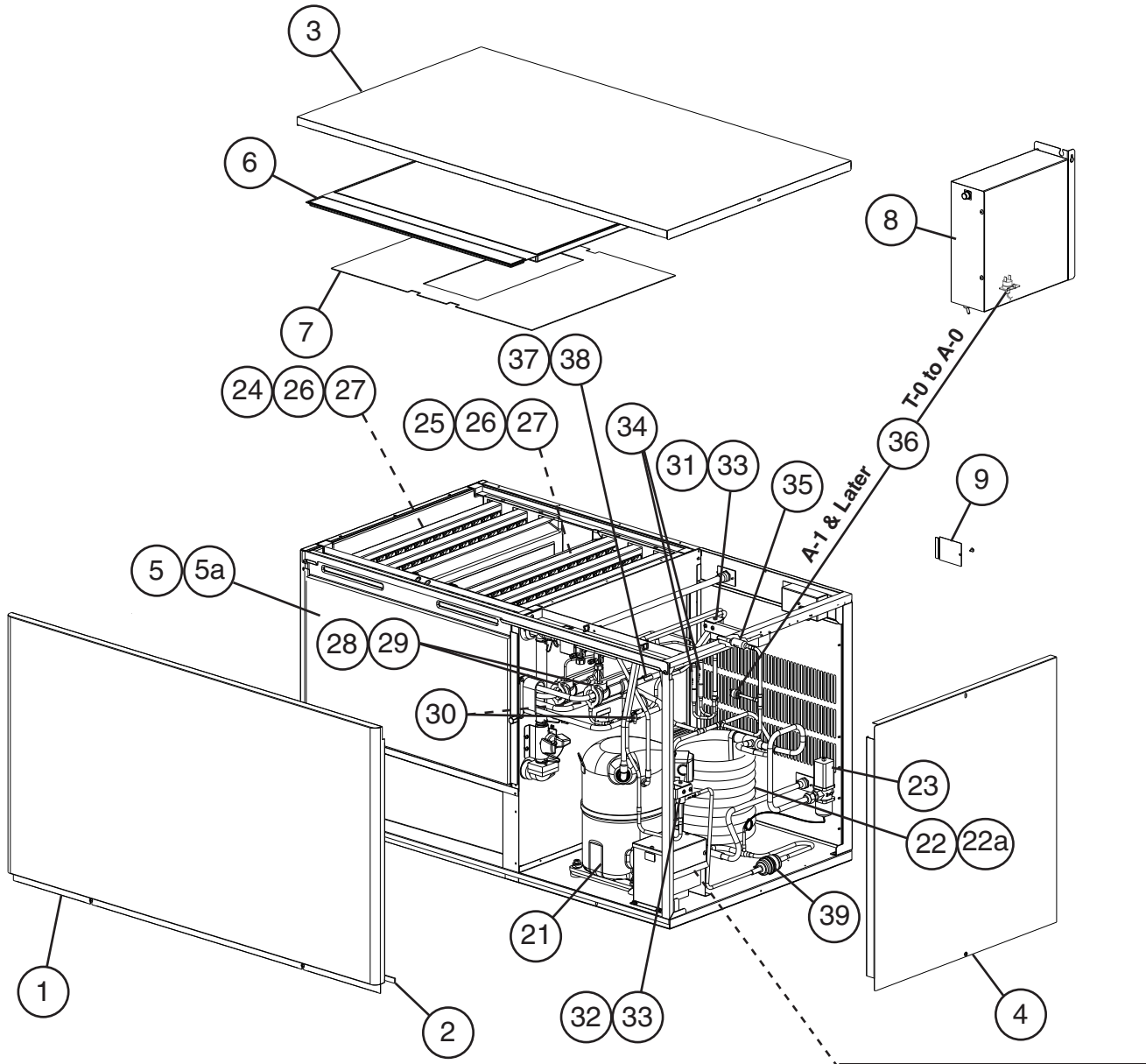
Title: A. Ice Cuber Assembly & Refrigeration Circuit Model: KM-1301SAH/3												
Index No.	Description	Material or Model Number	Part Number	Required Number								
				T-0 to V-0	V-1 to A-0	A-1 to D-0	D-1 to E-0	E-1				
<b>Main Assembly</b>												
1	Front Panel		2A2224-02	1	1	1	1	1				
2	Gasket	L=1219 mm	4A0808L02	1	1	1	1	1				
3	Top Panel		2A2255-01	1	1	1	1	1				
4	Right Side Panel		2A2226G01	1	1	1	1	1				
5	Front Insulation		324215G01	1	1	1	1	1				
5a	Thumbscrew		415949G12	1	1	1	1	1				
6	Top Insulation		324216G01	1	1	1	1	1				
7	Spacer		324321-01	1	1	1	1	1				
8	Control Box Cover		3A2386-01	1	1	1	1	1				
9	Junction Box Cover		433410-01	1	1	1	1	1				
10	Louver		1A0548-01	4	4	4	4	4				
10a	Push Retainer		4A2414-01	12	12	12	12	12				
11	Air Filter		2A2063G01	4	4	4	4	4				
12	Bin Control Bulb Holder		3A3903-01	1	1	1	1	-				
13	Bin Control Bulb Holder C		216340G01	1	1	1	1	-				
14	Bin Control Bulb Holder D		328742-01	1	1	1	1	-				
14a	Thumbscrew		415949G12	2	2	2	2	-				
15	Spacer		439727-01	1	1	1	1	-				
16	Capillary Ring		425307-01	1	1	1	1	-				
17	Silicone Hose	L=285 mm	773013812	1	1	1	1	-				
18	Bin Control Extension Bracket		3A0408-01	1	1	1	1	-				
19	Main Transformer	KM-1301SAH	4A5695-01				1	1				
		KM-1301SAH3		1	1	1	1	1				
20	Voltage Tap Switch	KM-1301SAH	4A1477-01				1	1				
		KM-1301SAH3		1	1	1	1	1				
21	Mounting Bracket		3A5726-01					1				
21a	Thumbscrew		415949G12					2				
22	Mechanical Bin Control		2A4393G01					1				
22a	Thumbscrew		415949G12					2				
<b>Refrigeration Circuit</b>												
23	Compressor	KM-1301SAH	4A1412-01	1	1	-						
			4A1412-03			1	1	1				
		KM-1301SAH3	4A1484-01	1	1	-						
			4A1484-03			1	1	1				
24	Condenser		213621-01	1	1	1	1	1				
25	Left Evaporator Bank (includes 3 of item 25)		2A0414G02	1	1	1	1	1				
26	Right Evaporator Bank (includes 3 of item 25)		2A0415G02	1	1	1	1	1				
27	Evaporator Plate		103444G01	6	6	6	6	6				
28	Separator Hook		324152-01	8	8	8	8	8				
29	Thermostatic Expansion Valve		4A1482-01	2	2	2	2	2				
30	Thermostatic Expansion Valve Cover		3A0944-01	2	2	2	2	2				
31	Thermostatic Expansion Valve Bulb Holder		3A0107-01	2	2	2	2	2				

Title: A. Ice Cuber Assembly & Refrigeration Circuit Model: KM-1301SAH/3													
Index No.	Description	Material or Model Number	Part Number	Required Number									
				T-0 to V-0	V-1 to A-0	A-1 to D-0	D-1 to E-0	E-1					
32	Hot Gas Valve Body		4A3978-01	1	1	1	1	1					
33	Liquid Line Valve Body		4A3276-01	1	1	1	1	1					
34	Valve Coil		4A3277-01	2	2	2	2	2					
35	Check Valve		4A1373-01	2	2	2	2	2					
36	Strainer		441569-02	1	1	1	1	1					
37	High-Pressure Switch		433441-07	1	-								
			463180-04		1	1	1	1					
38	Thermistor	L=1050 mm	429006-03	1	1	1	1	1					
39	Thermistor Holder		427430-01	1	1	1	1	1					
40	Fan Motor		4A3158-01	1	1	1	1	1					
40a	Self-Locking Nut		7N2110832	4	4	4	4	4					
41	Fan Motor Capacitor	5.0MFD, 250VAC	443192-02	1	1	1	1	1					
42	Fan Blade		4A0197-01	1	1	1	1	1					
43	Drier		4A2666-01	1	1	1	1	1					

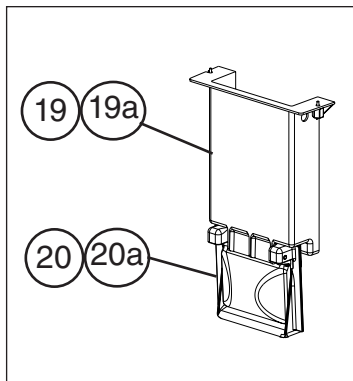
# A. Main Assembly & Refrigeration Circuit

## KM-1301SWH/3

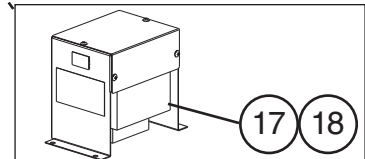
T-0 to E-1



T-0 to E-0



E-1 & Later



KM-1301SWH D-1 and Later  
KM-1301SWH3 - All



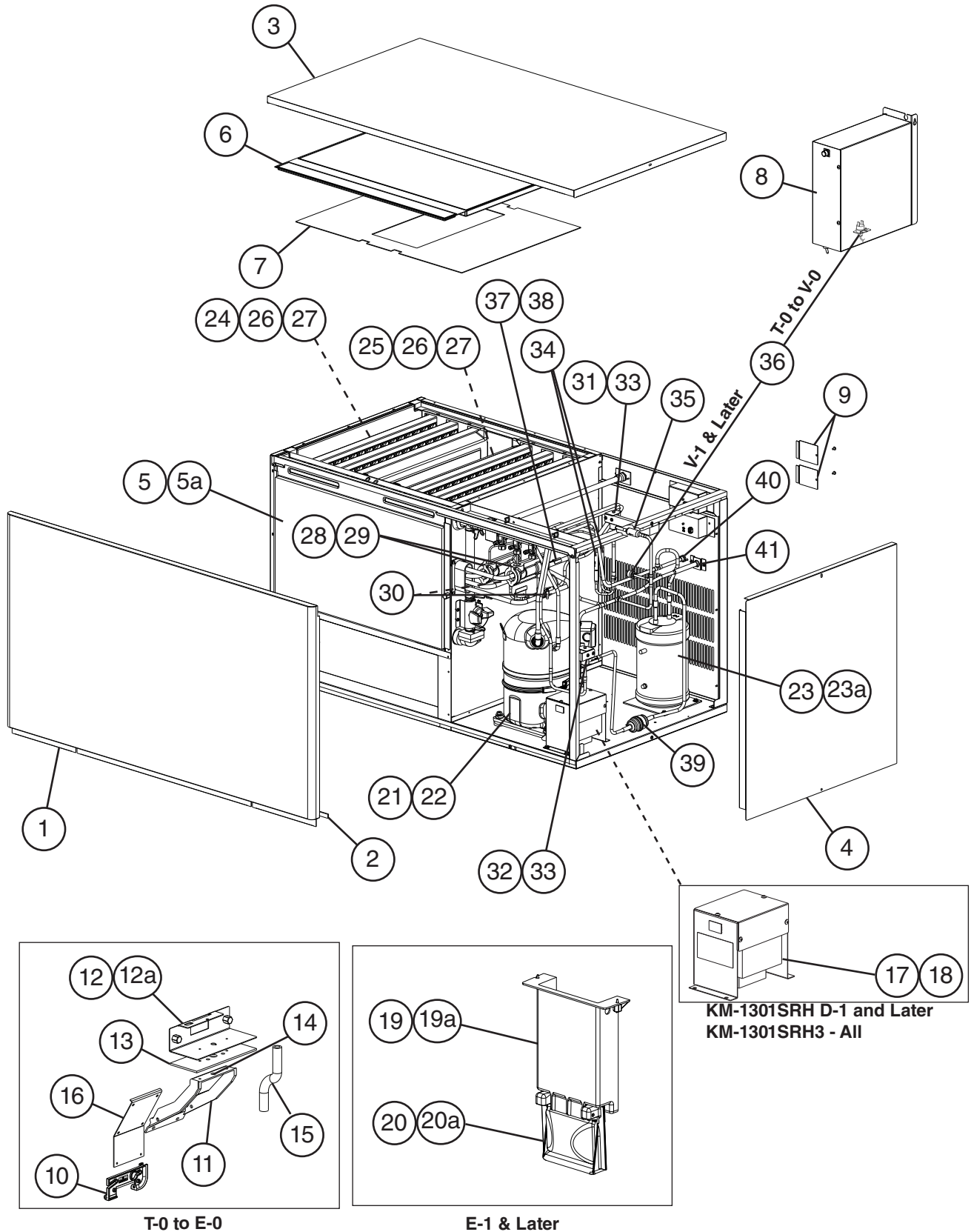
Title: A. Main Assembly & Refrigeration Circuit Model: KM-1301SWH/3												
Index No.	Description	Material or Model Number	Part Number	Required Number								
				T-0 to A-0	A-1 to B-0	C-0 to D-0	D-1 to E-0	E-1				
<b>Main Assembly</b>												
1	Front Panel		2A2224-01	1	1	1	1	1				
2	Gasket	L=1219 mm	4A0808L02	1	1	1	1	1				
3	Top Panel		2A2255-01	1	1	1	1	1				
4	Right Side Panel		2A2226G01	1	1	1	1	1				
5	Front Insulation		324215G01	1	1	1	1	1				
5a	Thumbscrew		415949G12	1	1	1	1	1				
6	Top Insulation		324216G01	1	1	1	1	1				
7	Spacer		324321-01	1	1	1	1	1				
8	Control Box Cover		3A2386-01	1	1	1	1	1				
9	Junction Box Cover		433410-01	1	1	1	1	1				
10	Bin Control Bulb Holder		3A3903-01	1	1	1	1	-				
11	Bin Control Bulb Holder C		216340G01	1	1	1	1	-				
12	Bin Control Bulb Holder D		328742-01	1	1	1	1	-				
12a	Thumbscrew		415949G12	2	2	2	2	-				
13	Spacer		439727-01	1	1	1	1	-				
14	Capillary Ring		425307-01	1	1	1	1	-				
15	Silicone Hose	L=285 mm	7730I3812	1	1	1	1	-				
16	Bin Control Extension Bracket		3A0408-01	1	1	1	1	-				
17	Main Transformer	KM-1301SWH	4A5695-01				1	1				
		KM-1301SWH3		1	1	1	1	1				
18	Voltage Tap Switch	KM-1301SWH	4A1477-01				1	1				
		KM-1301SWH3		1	1	1	1	1				
19	Mounting Bracket		3A5726-01					1				
19a	Thumbscrew		415949G12					2				
20	Mechanical Bin Control		2A4393G01					1				
20a	Thumbscrew		415949G12					2				
<b>Refrigeration Circuit</b>												
21	Compressor	KM-1301SWH	4A4134-01	1	-							
			4A4134-03		1	1	1	1				
		KM-1301SWH3	4A4135-01	1	-							
			4A4135-03		1	1	1	1				
22	Condenser	HS-0163	2A2359G04	1	1	-						
		HS-5100	3A7236-01			1	1	1				
22a	Hex Head Bolt w/Washer (LF)	5x12	7B0130512	2	2	2	2	2				
23	Water Regulating Valve		4A0911-07	1	1	1	1	1				
24	Left Evaporator Bank (includes 3 of item 24)	HS-0208	2A0414G02	1	1	1	1	1				
25	Right Evaporator Bank (includes 3 of item 24)	HS-0209	2A0415G02	1	1	1	1	1				
26	Evaporator Plate		103444G01	6	6	6	6	6				
27	Separator Hook		324152-01	8	8	8	8	8				
28	Thermostatic Expansion Valve		4A1482-01	2	2	2	2	2				
29	Thermostatic Expansion Valve Cover		3A0944-01	2	2	2	2	2				

Title: A. Main Assembly & Refrigeration Circuit Model: KM-1301SWH/3												
Index No.	Description	Material or Model Number	Part Number	Required Number								
				T-0 to A-0	A-1 to B-0	C-0 to D-0	D-1 to E-0	E-1				
30	Thermostatic Expansion Valve Bulb Holder		<a href="#">3A0107-01</a>	2	2	2	2	2				
31	Hot Gas Valve Body		<a href="#">4A3978-01</a>	1	1	1	1	1				
32	Liquid Line Valve Body		<a href="#">4A3276-01</a>	1	1	1	1	1				
33	Valve Coil		<a href="#">4A3277-01</a>	2	2	2	2	2				
34	Check Valve		<a href="#">4A1373-01</a>	2	2	2	2	2				
35	Strainer		<a href="#">441569-02</a>	1	1	1	1	1				
36	High-Pressure Switch		<a href="#">433441-05</a>	1	-							
			<a href="#">463180-05</a>		1	1	1	1				
37	Thermistor	L=1050 mm	<a href="#">429006-03</a>	1	1	1	1	1				
38	Thermistor Holder		<a href="#">427430-01</a>	1	1	1	1	1				
39	Drier		<a href="#">4A2666-01</a>	1	1	1	1	1				

# A. Ice Cuber Assembly & Refrigeration Circuit

## KM-1301SRH/3

T-0 to E-1



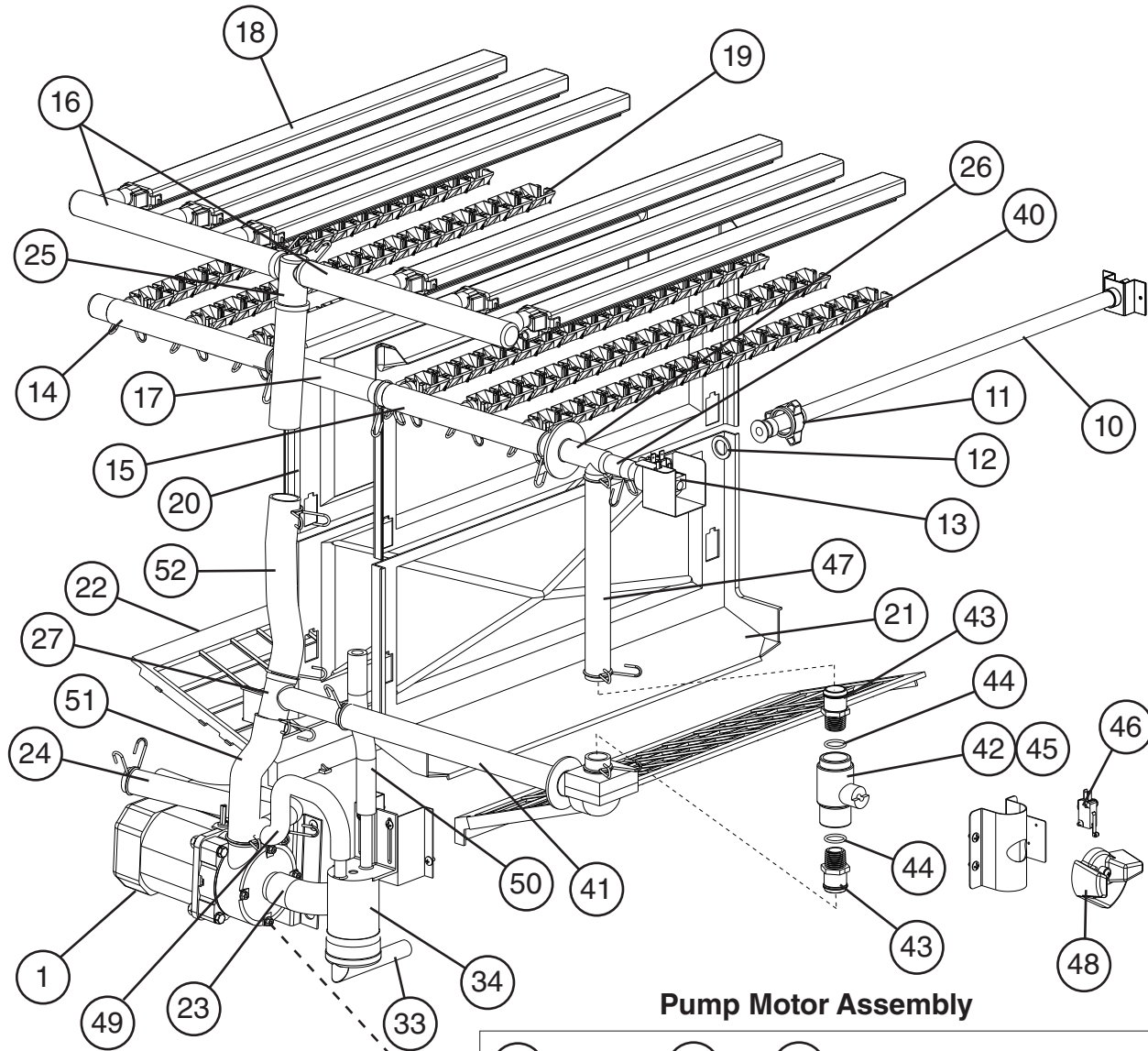
Title: A. Main Assembly & Refrigeration Circuit Model: KM-1301SRH/3														
Index No.	Description	Material or Model Number	Part Number	Required Number										
				T-0 to V-0	V-1 to A-0	A-1 to D-0	D-1 to E-0	E-1						
<b>Main Assembly</b>														
1	Front Panel		2A2224-01	1	1	1	1	1						
2	Gasket	L=1219 mm	4A0808L02	1	1	1	1	1						
3	Top Panel		2A2255-01	1	1	1	1	1						
4	Right Side Panel		2A2226G01	1	1	1	1	1						
5	Front Insulation		324215G01	1	1	1	1	1						
5a	Thumbscrew		415949G12	1	1	1	1	1						
6	Top Insulation		324216G01	1	1	1	1	1						
7	Spacer		324321-01	1	1	1	1	1						
8	Control Box Cover		3A2386-01	1	1	1	1	1						
9	Junction Box Cover		433410-01	2	2	2	2	2						
10	Bin Control Bulb Holder		3A3903-01	1	1	1	1	-						
11	Bin Control Bulb Holder C		216340G01	1	1	1	1	-						
12	Bin Control Bulb Holder D		328742-01	1	1	1	1	-						
12a	Thumbscrew		415949G12	2	2	2	2	-						
13	Spacer		439727-01	1	1	1	1	-						
14	Capillary Ring		425307-01	1	1	1	1	-						
15	Silicone Hose	L=285 mm	773013812	1	1	1	1	-						
16	Bin Control Extension Bracket		3A0408-01	1	1	1	1	-						
17	Main Transformer	KM-1301SRH	4A5695-01				1	1						
		KM-1301SRH3		1	1	1	1	1						
18	Voltage Tap Switch	KM-1301SRH	4A1477-01				1	1						
		KM-1301SRH3		1	1	1	1	1						
19	Mounting Bracket		3A5726-01					1						
19a	Thumbscrew		415949G12					2						
20	Mechanical Bin Control		2A4393G01					1						
20a	Thumbscrew		415949G12					2						
<b>Refrigeration Circuit</b>														
21	Compressor (A-1 and later utilize external crankcase heater - item 20)	KM-1301SRH	4A4134-02	1	1	-								
			4A4134-03			1	1	1						
		KM-1301SRH3	4A4135-02	1	1	-								
			4A4135-03			1	1	1						
22	Crankcase Heater		4A5397-02			1	1	1						
23	Receiver		437652-01	1	1	1	1	1						
23a	Hex Head Bolt w/Washer (LF)	5x10, SS	7B0230510	3	3	3	3	3						
24	Left Evaporator Bank (includes 3 of item 24)		2A0414G02	1	1	1	1	1						
25	Right Evaporator Bank (includes 3 of item 24)		2A0415G02	1	1	1	1	1						
26	Evaporator Plate		103444G01	6	6	6	6	6						
27	Separator Hook		324152-01	8	8	8	8	8						
28	Thermostatic Expansion Valve		4A1482-01	2	2	2	2	2						
29	Thermostatic Expansion Valve Cover		3A0944-01	2	2	2	2	2						
30	Thermostatic Expansion Valve Bulb Holder		3A0107-01	2	2	2	2	2						
31	Hot Gas Valve Body		4A3978-01	1	1	1	1	1						

Title: A. Main Assembly & Refrigeration Circuit Model: KM-1301SRH/3												
Index No.	Description	Material or Model Number	Part Number	Required Number								
				T-0 to V-0	V-1 to A-0	A-1 to D-0	D-1 to E-0	E-1				
32	Liquid Line Valve Body		4A3276-01	1	1	1	1	1				
33	Valve Coil		4A3277-01	2	2	2	2	2				
34	Check Valve		4A1373-01	2	2	2	2	2				
35	Strainer		441569-02	1	1	1	1	1				
36	High-Pressure Switch		433441-07	1	-							
			463180-04		1	1	1	1				
37	Thermistor	L=1050 mm	429006-03	1	1	1	1	1				
38	Thermistor Holder		427430-01	1	1	1	1	1				
39	Drier		4A2666-01	1	1	1	1	1				
40	Liquid Line Coupling		433751G01	1	1	1	1	1				
41	Discharge Line Coupling	KM-1301SRH	434136G01	1	1	1	-					
			434136G04				1	1				
		KM-1301SRH3		1	1	1	1	1				

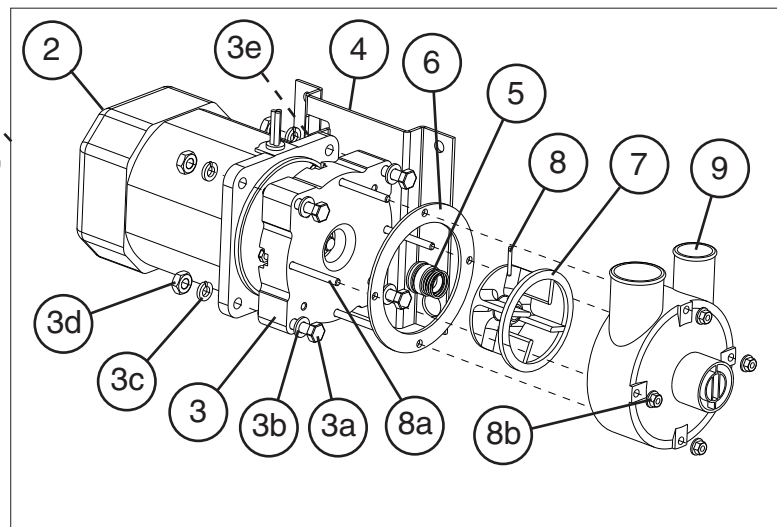
## B. Water Circuit

KM-1301SAH/3, KM-1301SWH/3, KM-1301SRH/3

T-0 to E-1



**Pump Motor Assembly**



Title: B. Water Circuit Model: KM-1301SAH/3, KM-1301SWH/3, KM-1301SRH/3											
Index No.	Description	Material or Model Number	Part Number	Required Number							
				T-0 to A-0	A-1 B-0	C-0 to E-1					
1	Pump Motor Assembly		215692A03	1	1	1					
2	Pump Motor		2U0106-01	1	1	1					
3	Pump Flange		215662-01	1	1	1					
3a	Hex Head Bolt	6x40, SS	7B02-0640	4	4	4					
3b	Flat Washer		7W22-0600	4	4	4					
3c	Split Lock Washer		7L22-0600	4	4	4					
3d	Nut		7N12-0600	4	4	4					
3e	Tooth Washer		7R22-0600	2	2	2					
4	Pump Motor Bracket		323904-01	1	1	1					
5	Mechanical Seal		4A3820-01	1	1	1					
6	Packing		428547-01	1	1	1					
7	Impeller		436584-01	1	1	1					
8	Pin		4A0648-01	1	1	1					
9	Pump Housing		213687-01	1	1	1					
9a	Hex Head Bolt	4x55, SS	7B02-0455	4	4	4					
9b	Flange Nut		7J02-0400	4	4	4					
10	Water Supply Pipe		4A5216G04	1	1	1					
11	Water Supply Pipe Fitting Nut		468616-01	1	1	1					
12	Rubber Gasket		413854-03	1	1	1					
13	Inlet Water Valve		4A5251-02	1	1	1					
14	Distributor Hose A		325738-01	1	1	1					
15	Distributor Hose B		325738-02	1	1	1					
16	Distributor Hose C		323985-01	2	2	2					
17	Joint Pipe		439297-01	1	1	1					
18	Spray Tube		437049G01	6	6	6					
19	Spray Guide		208586-01	18	18	18					
20	Separator A		213622-01	2	2	2					
21	Separator B		2A0100-01	2	2	2					
22	Cube Guide		214243-01	2	2	2					
23	Hose A		435091-01	1	1	1					
24	Hose B		436599-01	1	1	1					
25	Distributor		438276G01	1	1	1					
26	Distributor B		439239-01	1	1	1					
27	Distributor C		439238-01	1	1	1					
28	Drain Valve Housing		323613-01	1	1	1					
29	Spring		322110-01	1	1	1					
30	Valve Seat		433705-01	1	1	1					
31	Overflow Cap		323978-01	1	1	1					
32	Overflow Joint		323923-02	1	1	-					
33	Float Switch Connector		426799-04	1	1	1					
34	Float Switch		4A3624-01	1	1	1					
35	O-Ring		7611-P018	1	1	-					
36	O-Ring		7611-G035	1	1	1					
37	Drain Hose		324757-01	1	1	1					
38	Drain Plug		309246-01	1	1	1					
39	O-Ring		7611-P015	1	1	1					
40	Joint Hose		439296-01	1	1	1					

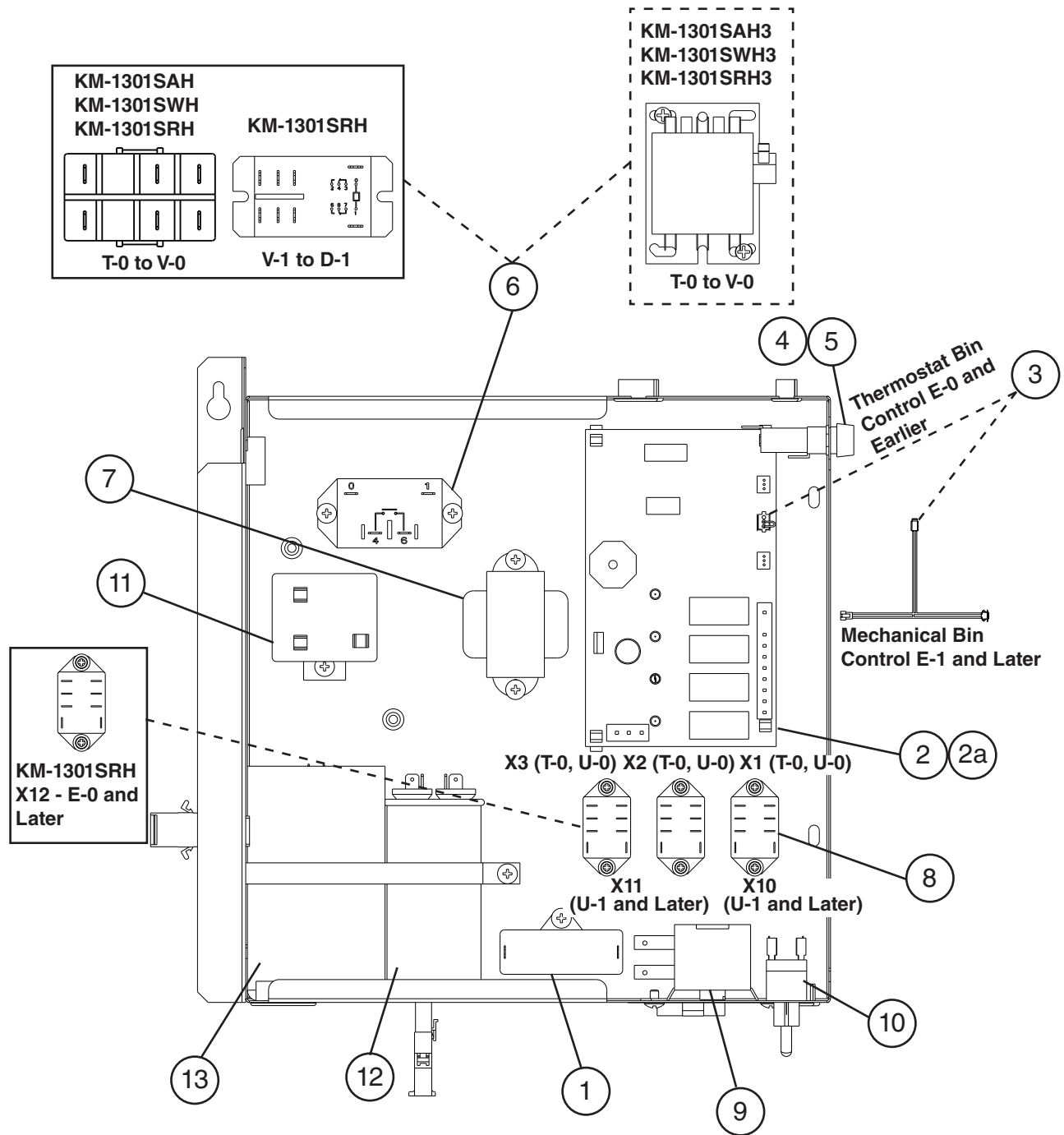
Title: B. Water Circuit Model: KM-1301SAH/3, KM-1301SWH/3, KM-1301SRH/3											
Index No.	Description	Material or Model Number	Part Number	Required Number							
				T-0 to A-0	A-1 B-0	C-0 to E-1					
41	Bypass Hose		<a href="#">439237-02</a>	1	1	1					
42	Ball Valve Assembly (includes items 42 through 44)	<a href="#">S-0761</a>	442137A01	1	1	1					
43	Male Adaptor		<a href="#">325826-01</a>	2	2	2					
44	O-Ring		<a href="#">7611-P018</a>	2	Replaced with thread sealant tape.						
45	Ball Valve		<a href="#">439293-01</a>	1	1	1					
46	Microswitch		<a href="#">4A2546-01</a>	1	1	1					
47	Joint Hose		<a href="#">439309-02</a>	1	1	1					
48	Handle		<a href="#">215383-01</a>	1	1	1					
49	Silicone Hose	L=390 mm	<a href="#">773013896</a>	1	1	1					
50	Silicone Hose	L=140 mm	<a href="#">773013812</a>	1	1	1					
51	Vinyl Hose	L=170 mm	<a href="#">7716-2732</a>	1	1	1					
52	Vinyl Hose	L=230 mm	<a href="#">7716-2732</a>	1	1	1					
Hose Clamps											
	Hose Clamp	25 mm	<a href="#">427443-03</a>	11	11	11					
	Hose Clamp	17 mm	<a href="#">427443-04</a>	1	1	1					
	Hose Clamp	14 mm	<a href="#">427443-07</a>	6	6	6					
	Hose Clamp	32 mm	<a href="#">427443-09</a>	4	4	4					



## C. Control Box Assembly

### KM-1301SAH/3, KM-1301SWH/3, KM-1301SRH/3

T-0 to E-1



X1 (T-0, U-0) or X10 (U-1 and later) - Pump Direction Relay  
 X2 (T-0, U-0) or X11 (U-1 and later) - Control Relay for X1 (T-0, U-0) or X10 (U-1 and later) Pump Direction Relay  
 X3 - Harvest Pump Timer Relay (Auxiliary Code T-0, U-0)  
 X3 - Crankcase Heater Relay KM-1301SRH (Auxiliary Code E-0 and later)

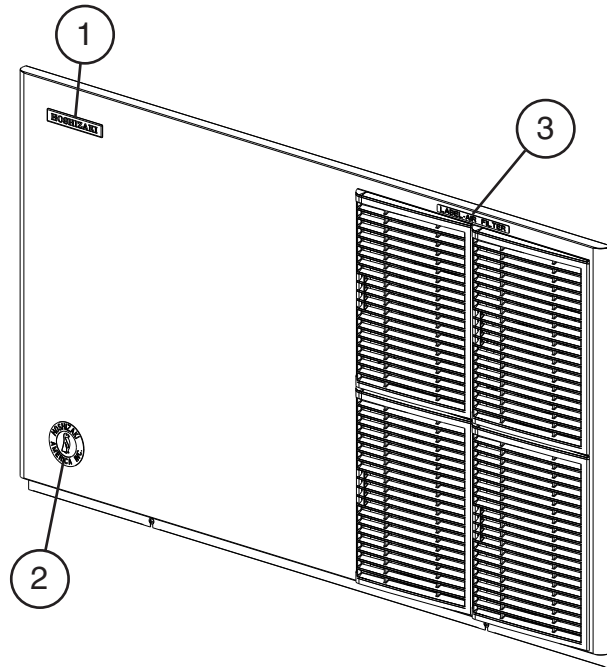
Title: C. Control Box Assembly Model: KM-1301SAH/3, KM-1301SWH/3, KM-1301SRH/3												
Index No.	Description	Material or Model Number	Part Number	Required Number								
				T-0 to V-0	V-1 to D-0	D-1	E-0 E-1					
1	Pump Motor Capacitor	10MFD, 250VAC	443192-01	1	1	1	1					
2	"G" Control Board		2A3792-01	1	1	1	1					
2a	Control Board Support		4A0336-03	4	4	4	4					
3	K4 Jumper		4A4883G01	1	1	-						
	Wire Harness		4A5197G01			1	1					
4	Fuse	AGC-10A, 250VAC	4A0893-07	2	2	2	2					
5	Fuse Holder		4A5443-01	1	1	1	1					
6	Magnetic Contactor	<b>KM-1301SAH</b>	428393-01	1	-							
	Compressor Relay	<b>KM-1301SWH</b>	4A3140-01		1	1	1					
	Magnetic Contactor	<b>KM-1301SRH</b>	428393-01	1	-							
	Compressor Relay		4A5096-01		1	1	-					
				4A3140-01				1				
	Magnetic Contactor	<b>KM-1301SAH3</b> <b>KM1301SWH3</b> <b>KM-1301SRH3</b>	4A0794-02	4A0794-01	1	1	1	1				
7	Control Transformer		3A0172-01	1	1	1	1					
8	Harvest Pump Timer and Crankcase Heater Relays (X1, X2, and X3 - T-0 and U-0) (X10 and X11 - U-1 and later) (X12 - E-0 and later)		406132-07	3	2	2	3					
9	Bin Control Thermostat		4A2879-02	1	1	1	1					
10	Control Switch		443119-01	1	1	1	1					
11	Start Relay	<b>KM-1301SAH</b>	4A1107-09	1	1	1	1					
		<b>KM-1301SWH</b>	4A1107-13	1	1	1	1					
		<b>KM-1301SRH</b>										
12	Run Capacitor	<b>KM-1301SAH</b>	3A2005-05	1	1	1	1					
		<b>KM-1301SWH</b> <b>KM-1301SRH</b>	3A2005-03	1	1	1	1					
13	Start Capacitor	<b>KM-1301SAH</b>	3A0076-01	1	1	1	1					
		<b>KM-1301SWH</b> <b>KM-1301SRH</b>	3A0076-11	1	1	1	1					

Note: Fan Capacitor for KM-1301SAH – See the Refrigeration Circuit in this manual.

## D. Accessories & Labels

### KM-1301SAH/3, KM-1301SWH/3, KM-1301SRH/3

T-0 to E-1



Title: D. Accessories & Labels Model: KM-1301SAH/3, KM-1301SWH/3, KM-1301SRH/3										
Index No.	Description	Material or Model Number	Part Number	Required Number						
				T-0 to D-0 (H)	D-0 (J) to E-1					
1	Hoshizaki Emblem Label		4A0560-01	1	1					
2	Penguin Label		4A0526-01	1	1					
3	Air Filter Label	<b>KM-1301SAH/3</b>	426177-01	1	-					
4	Universal Brace		4A0363-01	2	2					
4a	Hex Bolt	5x12, SS	7B02-0512	4	4					