

Hoshizaki America, Inc.

Stackable Crescent Cuber

Models

KM-1400SWH/3-M



“A Superior Degree
of Reliability”

www.hoshizaki.com

PARTS LIST



Number: 71332
Issued: 7-7-2011

CONTENTS

| | |
|---|----|
| Auxiliary Codes..... | 3 |
| Note About Ordering Parts | 3 |
| A. Ice Cuber Assembly & Refrigeration Circuit | 4 |
| B. Water Circuit | 7 |
| C. Control Box Assembly | 10 |
| D. Label Location | 11 |
| E. Accessories & Packaging | 13 |

Auxiliary Codes

| | | |
|----------------------|-----|---------------|
| KM-1400SWH-M | V-0 | June 2010 |
| | A-0 | April 2011 |
| KM-1400SWH3-M | V-0 | June 2010 |
| | A-0 | February 2011 |

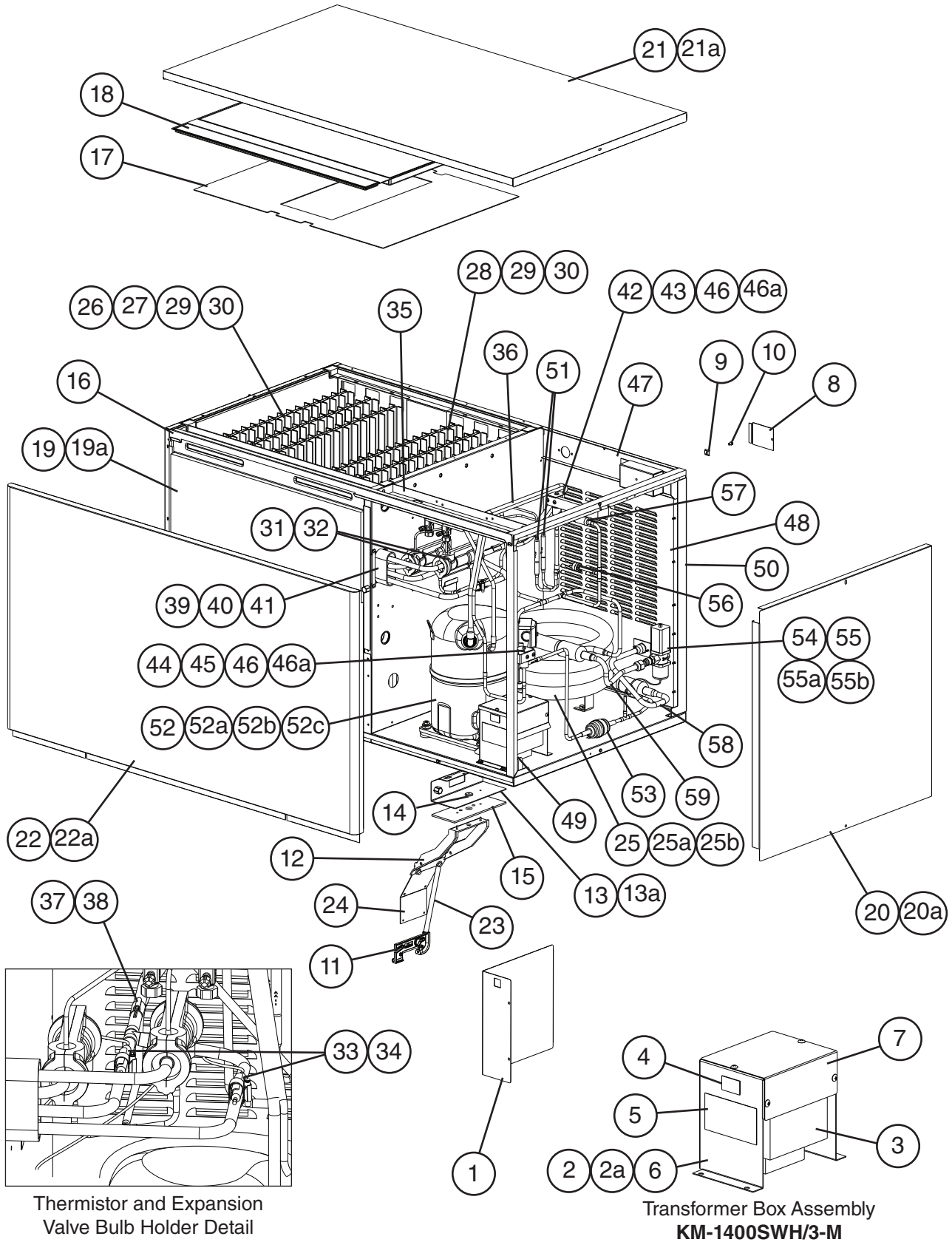
Auxiliary Code Breakdown

The auxiliary code is the first two characters in the serial number. The first character indicates the year. Years progress or regress in alphabetical order. The series runs from "A" through "V" and the letters "I" and "O" are skipped. The second character indicates significant part changes within a year. Base is "0" and this number advances for each change. In cases where there is a letter in parentheses, this designates the month. This is the last character in the serial number. The series runs from "(A)" through "(M)" and the letter "(I)" is skipped. This designation is only included when identifying a parts change within an auxiliary code.

Note About Ordering Parts

Most assemblies cannot be ordered as complete units; parts in the assemblies generally must be ordered separately.

A. Ice Cuber Assembly & Refrigeration Circuit
KM-1400SWH/3-M
 V-0, A-0



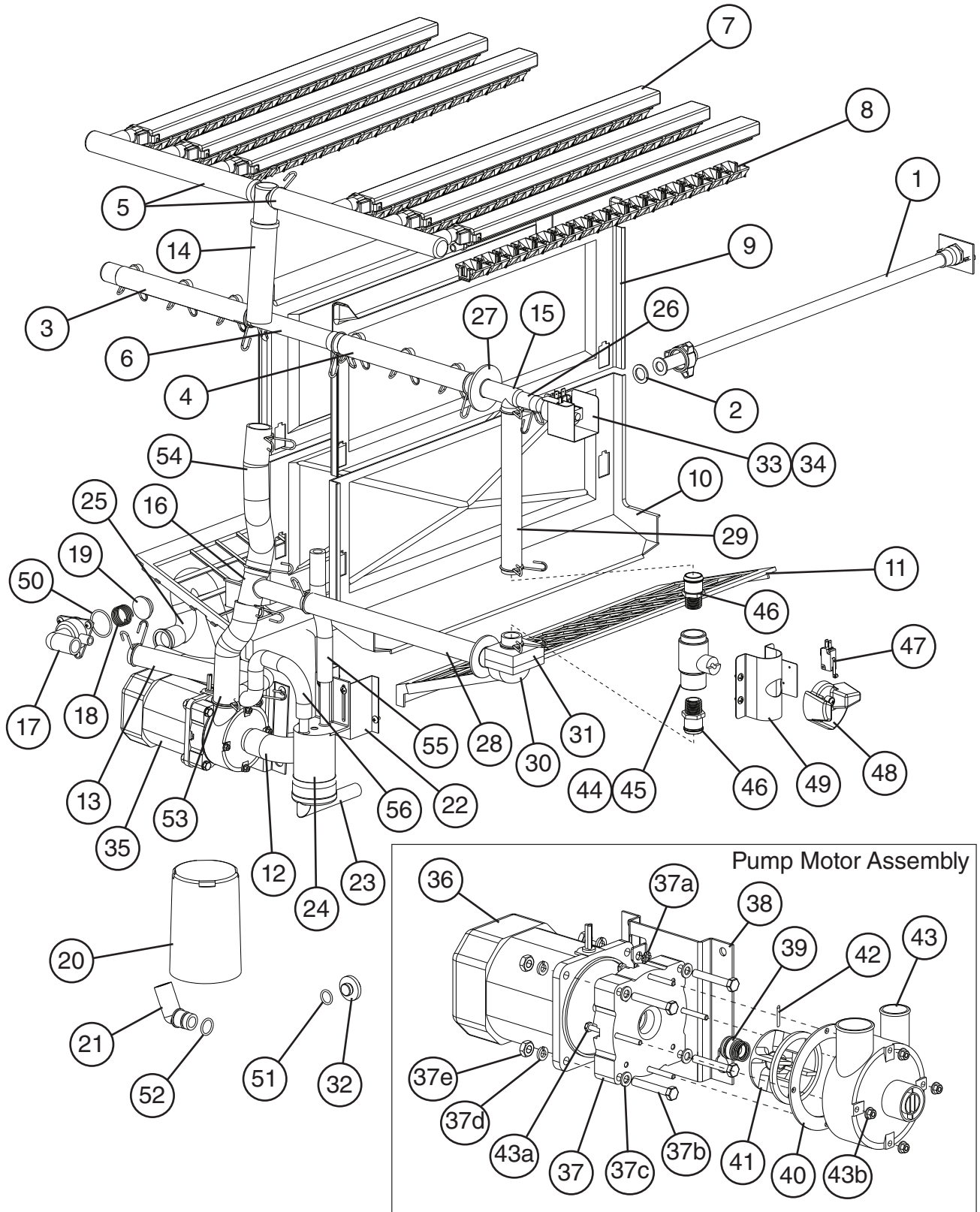
Thermistor and Expansion
 Valve Bulb Holder Detail

Transformer Box Assembly
KM-1400SWH/3-M

| Title: A. Ice Cuber Assembly & Refrigeration Circuit Model: KM-1400SWH/3-M | | | | | | | | | | | | | | |
|--|---|--------------------------|-------------|-----------------|--|--|--|--|--|--|--|--|--|--|
| Index No. | Description | Material or Model Number | Part Number | Required Number | | | | | | | | | | |
| | | | | V-0 A-0 | | | | | | | | | | |
| Ice Cuber Assembly | | KM-1400SWH-M | 1A2068A01 | 1 | | | | | | | | | | |
| Order Assembly Parts Individually | | KM-1400SWH3-M | 1A1756A02 | 1 | | | | | | | | | | |
| 1 | Control Box Cover | | 3A4065-01 | 1 | | | | | | | | | | |
| 2 | Transformer Box Assembly (includes items 3 through 7) | | 3A1102A02 | 1 | | | | | | | | | | |
| 2a | Hex Head Bolt w/Washer | 5x10, SS | 7B0230510 | 4 | | | | | | | | | | |
| 3 | Transformer | | 4A0817-01 | 1 | | | | | | | | | | |
| 4 | Voltage Tap Switch | | 4A1477-01 | 1 | | | | | | | | | | |
| 5 | Voltage Tap Switch Label | | 439423-01 | 1 | | | | | | | | | | |
| 6 | Transformer Box | | 3A1101-02 | 1 | | | | | | | | | | |
| 7 | Transformer Box Cover | | 4A4304-01 | 1 | | | | | | | | | | |
| 8 | Junction Box Cover | | 433410-05 | 1 | | | | | | | | | | |
| 9 | Square Washer | | 433537-02 | 1 | | | | | | | | | | |
| 10 | Ground Screw | | 433304-02 | 1 | | | | | | | | | | |
| 11 | Bulb Holder | | 3A3903-01 | 1 | | | | | | | | | | |
| 12 | Bulb Holder C | | 216340G01 | 1 | | | | | | | | | | |
| 13 | Bulb Holder D | | 328742-02 | 1 | | | | | | | | | | |
| 13a | Thumbscrew | | 415949G12 | 2 | | | | | | | | | | |
| 14 | Capillary Ring | | 425307-01 | 1 | | | | | | | | | | |
| 15 | Spacer | | 439727-01 | 1 | | | | | | | | | | |
| 16 | Front Panel Bracket | | 323903-01 | 1 | | | | | | | | | | |
| 17 | Spacer | | 324321-01 | 1 | | | | | | | | | | |
| 18 | Top Insulation | | 324216G01 | 1 | | | | | | | | | | |
| 19 | Front Insulation | | 324215G01 | 1 | | | | | | | | | | |
| 19a | Thumbscrew | | 415949G12 | 1 | | | | | | | | | | |
| 20 | Right Side Panel | | 2A2226G01 | 1 | | | | | | | | | | |
| 20a | Hex Head Bolt | 4x8, SS | 7B02-0408 | 1 | | | | | | | | | | |
| 21 | Top Panel | | 2A2255-01 | 1 | | | | | | | | | | |
| 21a | Hex Head Bolt | 4x8, SS | 7B02-0408 | 2 | | | | | | | | | | |
| 22 | Front Panel | | 2A2224-01 | 1 | | | | | | | | | | |
| 22a | Hex Head Bolt | 4x16, SS | 7B02-0416 | 2 | | | | | | | | | | |
| 23 | Silicone Hose | L= 285 | 7730I3812 | 1 | | | | | | | | | | |
| 24 | Thermostat Extension Bracket | | 3A0408-01 | 1 | | | | | | | | | | |
| Refrigeration Circuit | | KM-1400SWH-M | 1A1755A01 | 1 | | | | | | | | | | |
| Order Assembly Parts Individually | | KM-1400SWH3-M | 1A1755A02 | 1 | | | | | | | | | | |
| 25 | Condenser | | 3A5259-01 | 1 | | | | | | | | | | |
| 25a | Hex Head Bolt | 5x14, SS | 7B02-0514 | 3 | | | | | | | | | | |
| 25b | Washer | SS | 4A0198-01 | 3 | | | | | | | | | | |
| 26 | Evaporator (includes items 27 through 30) | | 104696G03 | 1 | | | | | | | | | | |
| 27 | Evaporator Left Bank (includes 3 of item 29) | HS-0208 | 2A0414G02 | 1 | | | | | | | | | | |
| 28 | Evaporator Right Bank (includes 3 of item 29) | HS-0209 | 2A0415G02 | 1 | | | | | | | | | | |
| 29 | Evaporator Plate | | 103444G01 | 6 | | | | | | | | | | |
| 30 | Hook | | 324152-01 | 8 | | | | | | | | | | |

| Title: A. Ice Cuber Assembly & Refrigeration Circuit Model: KM-1400SWH/3-M | | | | | | | | | | | | |
|--|-------------------------------------|--------------------------|---------------------------|-----------------|-----|--|--|--|--|--|--|--|
| Index No. | Description | Material or Model Number | Part Number | Required Number | | | | | | | | |
| | | | | V-0 | A-0 | | | | | | | |
| 31 | Expansion Valve | | 4A1482-01 | 2 | | | | | | | | |
| 32 | Expansion Valve Cover | | 3A0944-01 | 2 | | | | | | | | |
| 33 | Expansion Valve Bulb Holder | | 3A0107-01 | 2 | | | | | | | | |
| 34 | Clamp | | 443461-02 | 2 | | | | | | | | |
| 35 | Front Frame | | 3A4635-02 | 1 | | | | | | | | |
| 36 | Heat Exchanger | | 2A4816G01 | 1 | | | | | | | | |
| 37 | Thermistor | | 429006-03 | 1 | | | | | | | | |
| 38 | Thermistor Holder | | 427430-01 | 1 | | | | | | | | |
| 39 | Insulation Holder | | 3A0979-01 | 1 | | | | | | | | |
| 40 | Insulated Rubber Tube | | 323975G01 | 1 | | | | | | | | |
| 41 | Insulation | | 436671-01 | 1 | | | | | | | | |
| 42 | Hot Gas Valve Bracket | | 442162-02 | 1 | | | | | | | | |
| 43 | Hot Gas Valve Body | | 4A3978-01 | 1 | | | | | | | | |
| 44 | Liquid Line Valve Bracket | | 4A1406-02 | 1 | | | | | | | | |
| 45 | Liquid Line Valve Body | | 4A3276-01 | 1 | | | | | | | | |
| 46 | Valve Coil (includes 1 of item 46a) | | 4A3277-01 | 2 | | | | | | | | |
| 46a | Bolt | | 4A3277F01 | 2 | | | | | | | | |
| 47 | Rear Frame | | 439285G05 | 1 | | | | | | | | |
| 48 | Rear Panel | | 2A3856-01 | 1 | | | | | | | | |
| 49 | Side Frame A | | 219472G02 | 1 | | | | | | | | |
| 50 | Side Frame B | | 3A3027-02 | 1 | | | | | | | | |
| 51 | Check Valve | | 4A1373-01 | 2 | | | | | | | | |
| 52 | Compressor | KM-1400SWH-M | 4A4134-01 | 1 | | | | | | | | |
| | | KM-1400SWH3-M | 4A4135-01 | 1 | | | | | | | | |
| 52a | Spacer | | 434921-01 | 4 | | | | | | | | |
| 52b | Grommet | | 434922-01 | 4 | | | | | | | | |
| 52c | Bolt | 8x45 | 437889-01 | 4 | | | | | | | | |
| 53 | Drier | | 4A2666-01 | 1 | | | | | | | | |
| 54 | Male Connector | | 4A1087-01 | 1 | | | | | | | | |
| 55 | Water Regulator | | 4A0911-07 | 1 | | | | | | | | |
| 55a | Washer | SS | 4A4786-01 | 2 | | | | | | | | |
| 55b | Hex Head Bolt | 4x8, SS | 7B02-0408 | 2 | | | | | | | | |
| 56 | High-Pressure Switch | | 463180-05 | 1 | | | | | | | | |
| 57 | Strainer | | 441569-02 | 1 | | | | | | | | |
| 58 | Copper Tube A | | 3A5263G01 | 1 | | | | | | | | |
| 59 | Copper Tube B | | 3A5264G01 | 1 | | | | | | | | |

B. Water Circuit
KM-1400SWH/3-M
 V-0, A-0



Title: **B. Water Circuit** Model: **KM-1400SWH/3-M**

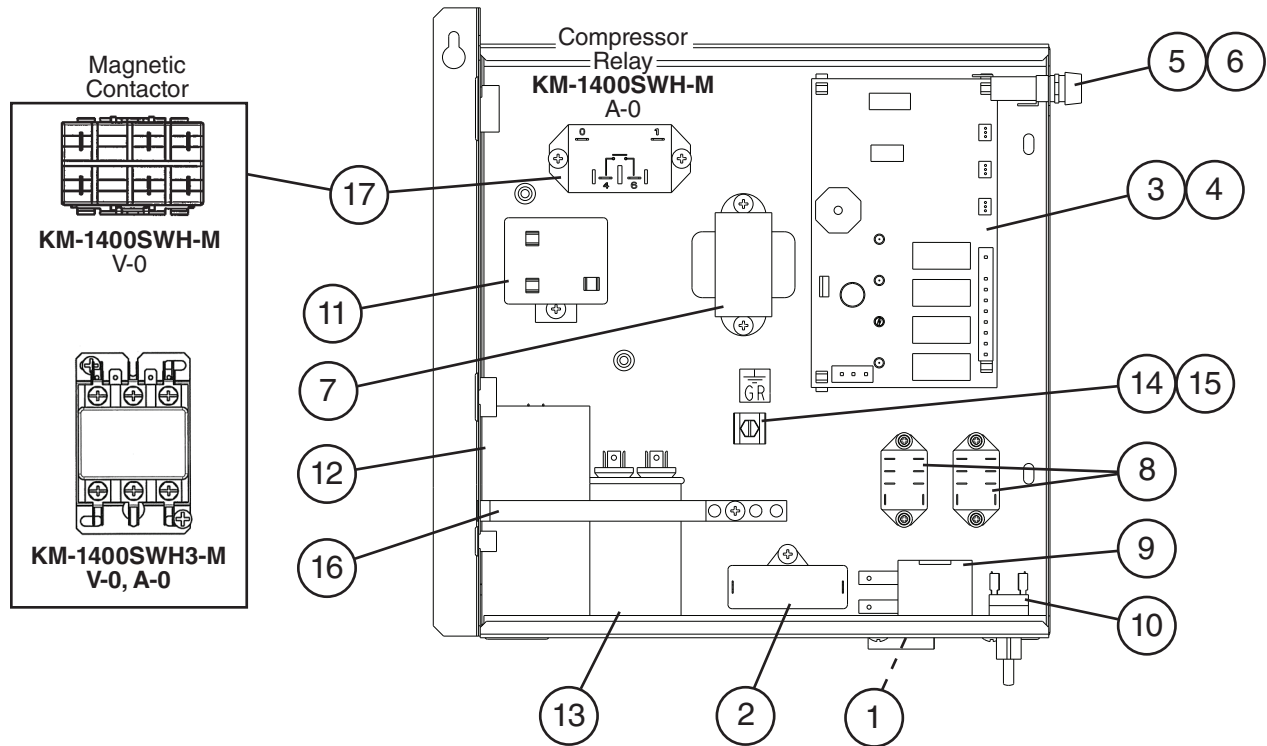
| Index No. | Description | Material or Model Number | Part Number | Required Number | | | | | | | | | | |
|--|--|--------------------------|-------------|-----------------|-----|--|--|--|--|--|--|--|--|--|
| | | | | V-0 | A-0 | | | | | | | | | |
| Water Circuit | | | 1A1424A03 | 1 | | | | | | | | | | |
| Order Assembly Parts Individually | | | | | | | | | | | | | | |
| 1 | Water Supply Pipe | | 4A0768G01 | 1 | | | | | | | | | | |
| 2 | Rubber Gasket | | 413854-03 | 1 | | | | | | | | | | |
| 3 | Distributor Hose A | | 325738-01 | 1 | | | | | | | | | | |
| 4 | Distributor Hose B | | 325738-02 | 1 | | | | | | | | | | |
| 5 | Distributor Hose C | | 323985-01 | 2 | | | | | | | | | | |
| 6 | Joint Pipe | | 439297-01 | 1 | | | | | | | | | | |
| 7 | Spray Tube | | 437049G01 | 6 | | | | | | | | | | |
| 8 | Spray Guide | | 208586-01 | 18 | | | | | | | | | | |
| 9 | Separator A | | 213622-01 | 2 | | | | | | | | | | |
| 10 | Separator B | | 2A0100-01 | 2 | | | | | | | | | | |
| 11 | Cube Guide | | 214243-01 | 2 | | | | | | | | | | |
| 12 | Hose A | | 435091-01 | 1 | | | | | | | | | | |
| 13 | Hose B | | 436599-01 | 1 | | | | | | | | | | |
| 14 | Distributor | | 438276G01 | 1 | | | | | | | | | | |
| 15 | Distributor B | | 439239-01 | 1 | | | | | | | | | | |
| 16 | Distributor C | | 439238-01 | 1 | | | | | | | | | | |
| 17 | Drain Valve Housing | | 323613-01 | 1 | | | | | | | | | | |
| 18 | Spring | | 322110-01 | 1 | | | | | | | | | | |
| 19 | Valve Seat | | 433705-01 | 1 | | | | | | | | | | |
| 20 | Overflow Cap | | 323978-01 | 1 | | | | | | | | | | |
| 21 | Overflow Joint | | 323923-02 | 1 | | | | | | | | | | |
| 22 | Float Switch Bracket | | 3A0449-01 | 1 | | | | | | | | | | |
| 23 | Float Switch Connector | | 426799-04 | 1 | | | | | | | | | | |
| 24 | Float Switch | | 4A3624-01 | 1 | | | | | | | | | | |
| 25 | Drain Hose | | 324757-01 | 1 | | | | | | | | | | |
| 26 | Joint Hose | | 439296-01 | 1 | | | | | | | | | | |
| 27 | Flange | | 439267-02 | 1 | | | | | | | | | | |
| 28 | Bypass Hose | | 439237-02 | 1 | | | | | | | | | | |
| 29 | Joint Hose | | 439309-02 | 1 | | | | | | | | | | |
| 30 | Corner Insulation A | | 439376-01 | 1 | | | | | | | | | | |
| 31 | Corner Insulation B | | 439392-01 | 1 | | | | | | | | | | |
| 32 | Drain Plug | | 309246-01 | 1 | | | | | | | | | | |
| 33 | Inlet Water Valve | | 4A5251-02 | 1 | | | | | | | | | | |
| 34 | Water Valve Bracket | | 3A2685-02 | 1 | | | | | | | | | | |
| 35 | Pump Motor Assembly (includes items 36 through 43b) | S-0730 | 215692A03 | 1 | | | | | | | | | | |
| 36 | Pump Motor | | 2U0106-01 | 1 | | | | | | | | | | |
| 37 | Pump Flange | | 215662-01 | 1 | | | | | | | | | | |
| 37a | Tooth Washer | M6, SS | 7R22-0600 | 2 | | | | | | | | | | |
| 37b | Hex Head Bolt | 6x40, SS | 7B02-0640 | 4 | | | | | | | | | | |
| 37c | Flat Washer | M6, SS | 7W22-0600 | 4 | | | | | | | | | | |
| 37d | Split Lock Washer | M6, SS | 7L22-0600 | 4 | | | | | | | | | | |
| 37e | Hex Nut | M6, SS | 7N12-0600 | 4 | | | | | | | | | | |
| 38 | Pump Motor Bracket | | 323904-01 | 1 | | | | | | | | | | |
| 39 | Mechanical Seal | | 4A3820-01 | 1 | | | | | | | | | | |
| 40 | Packing | | 428547-01 | 1 | | | | | | | | | | |

| Title: B. Water Circuit Model: KM-1400SWH/3-M | | | | | | | | | | | | |
|---|--|--------------------------|-------------|-----------------|-----|--|--|--|--|--|--|--|
| Index No. | Description | Material or Model Number | Part Number | Required Number | | | | | | | | |
| | | | | V-0 | A-0 | | | | | | | |
| 41 | Impeller | | 436584-01 | 1 | | | | | | | | |
| 42 | Pin | | 4A0648-01 | 1 | | | | | | | | |
| 43 | Pump Housing | | 213687-01 | 1 | | | | | | | | |
| 43a | Hex Head Bolt | 4x55, SS | 7B02-0455 | 4 | | | | | | | | |
| 43b | Hex Flange Nut | M4, SS | 7J02-0400 | 4 | | | | | | | | |
| 44 | Ball Valve Assembly (includes items 45 and 46) | S-0761 | 442137A01 | 1 | | | | | | | | |
| 45 | Ball Valve | | 439293-01 | 1 | | | | | | | | |
| 46 | Male Adaptor | | 325826-01 | 2 | | | | | | | | |
| 47 | Microswitch | | 4A2546-01 | 1 | | | | | | | | |
| 48 | Handle | | 215383-01 | 1 | | | | | | | | |
| 49 | Valve Holder | | 3A1178-02 | 1 | | | | | | | | |
| 50 | "O" Ring | | 7611-G035 | 1 | | | | | | | | |
| 51 | "O" Ring | | 7611-P015 | 1 | | | | | | | | |
| 52 | "O" Ring | | 7611-P018 | 1 | | | | | | | | |
| 53 | Vinyl Hose | L= 170 | 7716-2732 | 1 | | | | | | | | |
| 54 | Vinyl Hose | L= 230 | 7716-2732 | 1 | | | | | | | | |
| 55 | Silicone Hose | L= 140 | 7730I3812 | 1 | | | | | | | | |
| 56 | Silicone Hose | L= 390 | 7730I3896 | 1 | | | | | | | | |
| Hose Clamps | | | | | | | | | | | | |
| | Hose Clamp | 25mm, SS | 427443-03 | 11 | | | | | | | | |
| | Hose Clamp | 16.5mm, SS | 427443-04 | 1 | | | | | | | | |
| | Hose Clamp | 13.5mm, SS | 427443-07 | 6 | | | | | | | | |
| | Hose Clamp | 32mm, SS | 427443-09 | 4 | | | | | | | | |

C. Control Box Assembly

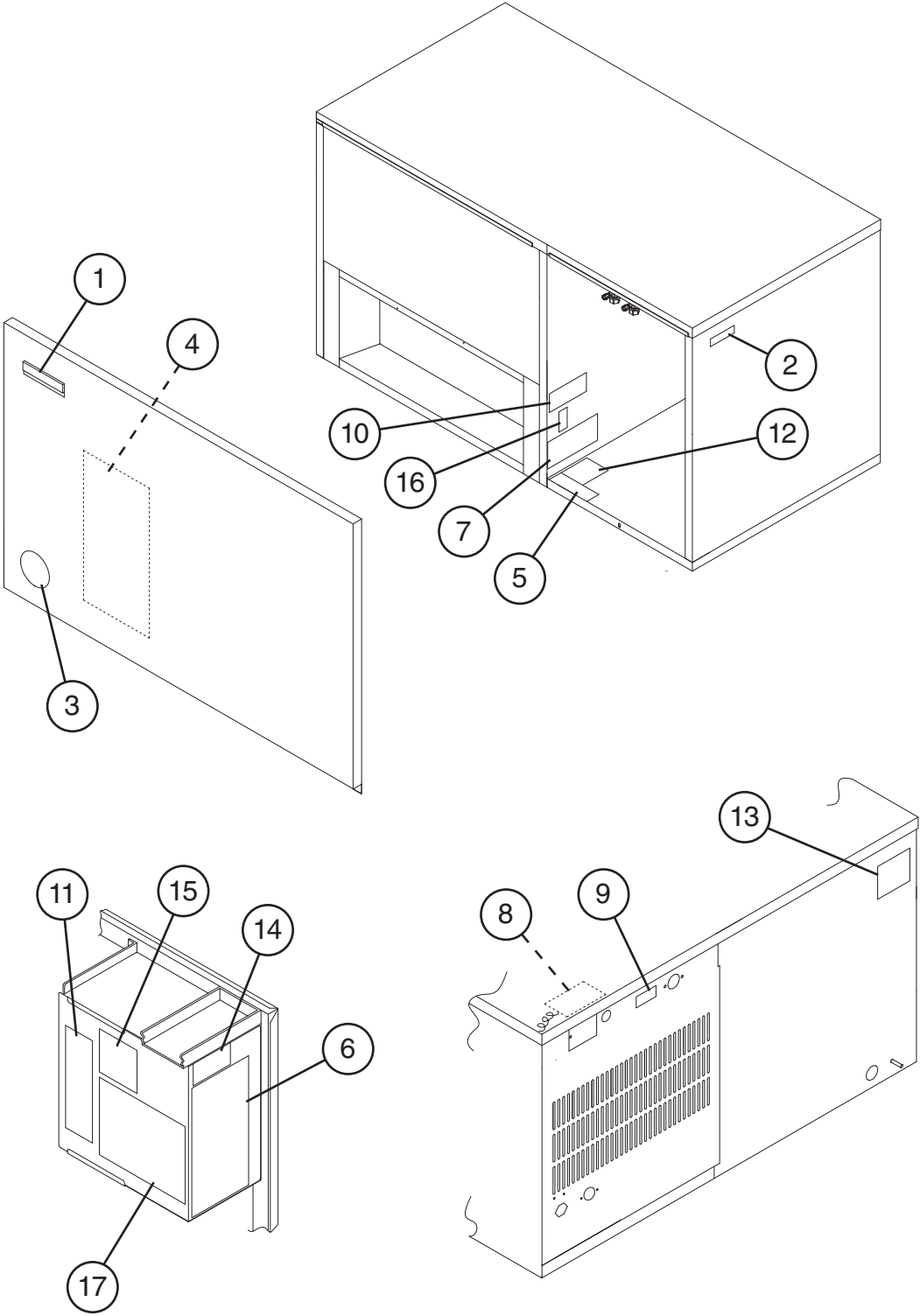
KM-1400SWH/3-M

V-0, A-0



| Title: C. Control Box Assembly Model: KM-1400SWH/3-M | | | | | | | | | | | |
|--|---------------------------|---------------------------------------|-------------|-----------------|-----|--|--|--|--|--|--|
| Index No. | Description | Material or Model Number | Part Number | Required Number | | | | | | | |
| | | | | V-0 | A-0 | | | | | | |
| Control Box Assembly | | KM-1400SWH-M | 2A5173A01 | 1 | - | | | | | | |
| Order Assembly Parts Individually | | | 2A5173A02 | | 1 | | | | | | |
| | | KM-1400SWH3-M | 2A5174A01 | 1 | 1 | | | | | | |
| 1 | Control Label | | 4A1758-01 | 1 | 1 | | | | | | |
| 2 | Pump Motor Capacitor | 10MFD, 250VAC | 443192-01 | 1 | 1 | | | | | | |
| 3 | "G" Control Board | | 2A3792-01 | 1 | 1 | | | | | | |
| 4 | Board Support | | 4A0336-03 | 4 | 4 | | | | | | |
| 5 | Fuse | | 4A0893-07 | 1 | 1 | | | | | | |
| 6 | Fuse Holder | | 4A3449-01 | 1 | 1 | | | | | | |
| 7 | Control Transformer | | 3A0172-01 | 1 | 1 | | | | | | |
| 8 | Harvest Pump Timer Relays | | 406132-07 | 2 | 2 | | | | | | |
| 9 | Thermostat | | 4A2879-02 | 1 | 1 | | | | | | |
| 10 | Power Switch | | 443119-01 | 1 | 1 | | | | | | |
| 11 | Start Relay | KM-1400SWH-M | 4A1107-13 | 1 | 1 | | | | | | |
| 12 | Start Capacitor | KM-1400SWH-M 145-174MFD, 220VAC | 3A0076-11 | 1 | 1 | | | | | | |
| 13 | Run Capacitor | KM-1400SWH-M 30MFD, 370VAC | 3A2005-03 | 1 | 1 | | | | | | |
| 14 | Ground Screw | | 433304-02 | 1 | 1 | | | | | | |
| 15 | Square Washer | | 433537-02 | 1 | 1 | | | | | | |
| 16 | Strap | KM-1400SWH-M | 4A2262-07 | 1 | 1 | | | | | | |
| 17 | Magnetic Contactor | KM-1400SWH-M | 428393-01 | 1 | - | | | | | | |
| | Compressor Relay | | 4A3140-01 | | 1 | | | | | | |
| | Magnetic Contactor | KM-1400SWH3-M | 4A0794-02 | 1 | 1 | | | | | | |

D. Label Location
KM-1400SWH/3-M
V-0, A-0



| Title: D. Label Location Model: KM-1400SWH/3-M | | | | | | | | | | | | |
|--|------------------------------------|--------------------------|-------------|-----------------|-----|--|--|--|--|--|--|--|
| Index No. | Description | Material or Model Number | Part Number | Required Number | | | | | | | | |
| | | | | V-0 | A-0 | | | | | | | |
| Label Location Order Assembly Parts Individually | | KM-1400SWH-M | 2A3882A01 | 1 | - | | | | | | | |
| | | | 2A3882A03 | | 1 | | | | | | | |
| | | KM-1400SWH3-M | 2A3882A02 | 1 | 1 | | | | | | | |
| 1 | Emblem | | 4A0560-01 | 1 | 1 | | | | | | | |
| 2 | Vessel Label | | 4A4006-01 | 1 | 1 | | | | | | | |
| 3 | Penguin Label | | 4A0526-01 | 1 | 1 | | | | | | | |
| 4 | Maintenance Label | | 2A5032-01 | 1 | 1 | | | | | | | |
| 5 | Warning Label K | | 4A4736-01 | 1 | 1 | | | | | | | |
| 6 | Manual Label | | 4A4839-01 | 1 | 1 | | | | | | | |
| 7 | Bin Control Manual Label | | 3A4841-01 | 1 | 1 | | | | | | | |
| 8 | Warning Tag: Electrical Connection | KM-1400SWH-M | 4A4741-01 | 1 | 1 | | | | | | | |
| | | KM-1400SWH3-M | 4A4807-01 | 1 | 1 | | | | | | | |
| 9 | Instruction Label | | 444575-01 | 1 | 1 | | | | | | | |
| 10 | Valve Operation Label | | 4A4828-01 | 1 | 1 | | | | | | | |
| 11 | Control Board Label | | 3A4799-01 | 1 | 1 | | | | | | | |
| 12 | Rating Label | KM-1400SWH-M | 1A1591-07 | 1 | 1 | | | | | | | |
| | | KM-1400SWH3-M | 1A1591-08 | 1 | 1 | | | | | | | |
| 13 | Nameplate | KM-1400SWH-M | 1A1590-08 | 1 | 1 | | | | | | | |
| | | KM-1400SWH3-M | 1A1590-09 | 1 | 1 | | | | | | | |
| 14 | Fuse Label | | 4A4829-01 | 1 | 1 | | | | | | | |
| 15 | Alarm Label | | 4A4737-01 | 1 | 1 | | | | | | | |
| 16 | Process Valve Label | | 4A3943-01 | 1 | 1 | | | | | | | |
| 17 | Wiring Label | KM-1400SWH-M | 3A5604-01 | 1 | - | | | | | | | |
| | | | 3A6180-01 | | 1 | | | | | | | |
| | | KM-1400SWH3-M | 3A5605-01 | 1 | 1 | | | | | | | |

E. Accessories & Packaging
KM-1400SWH/3-M
 V-0, A-0

| Title: E. Accessories & Packaging Model: KM-1400SWH/3-M | | | | | | | | | | | | |
|---|--------------------|--------------------------|---------------------------|-----------------|-----|--|--|--|--|--|--|--|
| Index No. | Description | Material or Model Number | Part Number | Required Number | | | | | | | | |
| | | | | V-0 | A-0 | | | | | | | |
| 1 | Universal Brace | | 4A0363-02 | 2 | | | | | | | | |
| 1a | Hex Head Bolt | 5x12, SS | 7B02-0512 | 4 | | | | | | | | |
| 2 | Instruction Manual | | 91A7DH10A | 1 | | | | | | | | |
| | Packaging | | 2A0876A11 | | | | | | | | | |