



HOSHIZAKI

Parts List

Modular Crescent Cuber

Models

KM-515MAJ, MWJ, MRJ



hoshizakiamerica.com

Number: 71390
Issued: 10-23-2017
Revised: 11-17-2017

CONTENTS

Auxiliary Codes.....	3
Note About Ordering Parts	3
A. Main Assembly & Refrigeration Circuit	4
KM-515MAJ	4
KM-515MWJ.....	6
KM-515MRJ	8
B. Water Circuit	10
C. Control Box Assembly	13
D. Accessories & Labels	15

Auxiliary Codes

KM-515MAJ

G-1 October 2017

KM-515MWJ

G-1 October 2017

KM-515MRJ

G-1 October 2017

Auxiliary Code Breakdown

The auxiliary code is the first two characters in the serial number. The first character indicates the year. Years progress or regress in alphabetical order. The series runs from "A" through "V" and the letters "I" and "O" are skipped. The second character indicates significant part changes within a year. Base is "0" and this number advances for each change. In cases where there is a letter in parentheses, this designates the month. This is the last character in the serial number. The series runs from "(A)" through "(M)" and the letter "(I)" is skipped. This designation is only included when identifying a parts change within an auxiliary code.

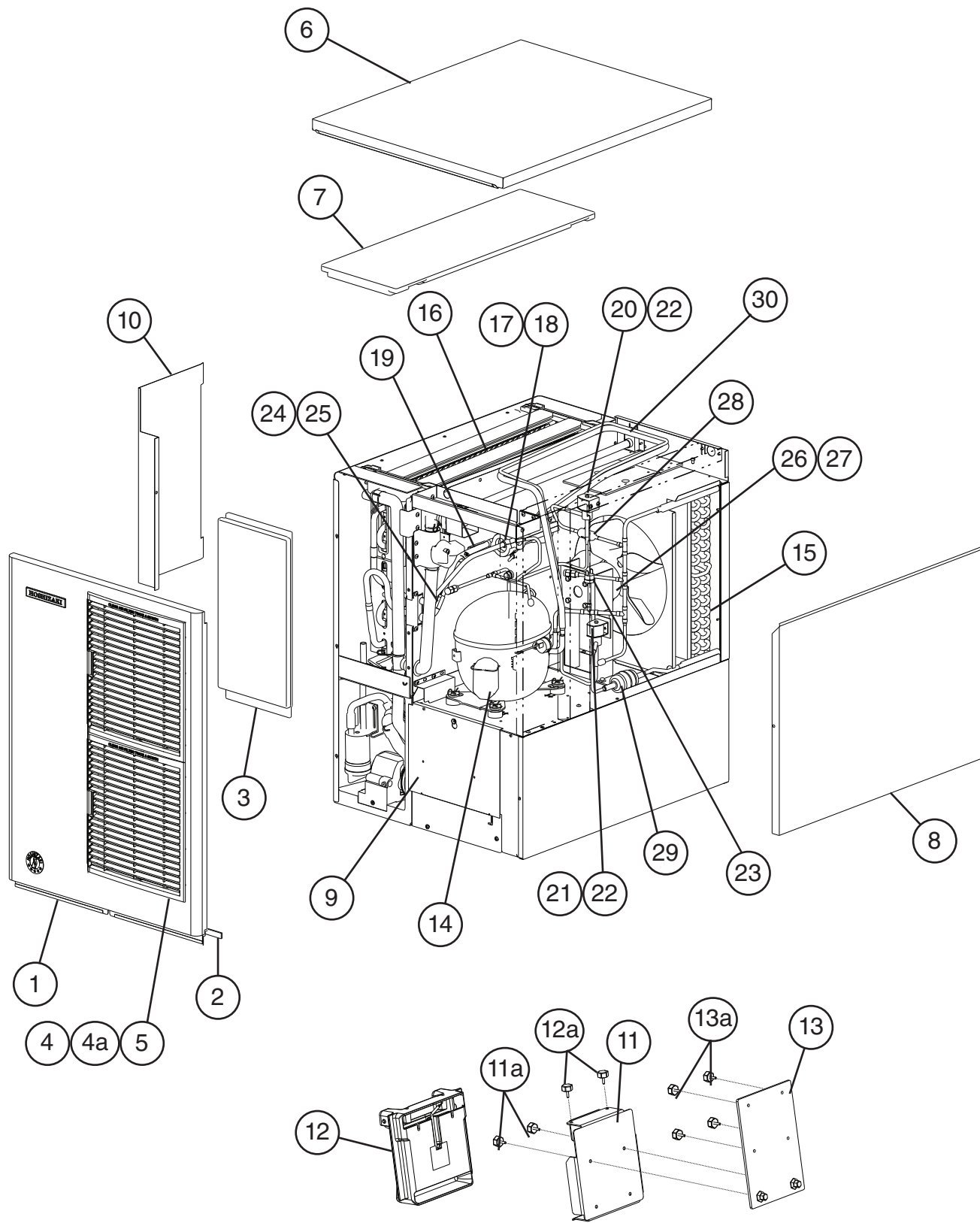
Note About Ordering Parts

Most assemblies cannot be ordered as complete units; parts in the assemblies generally must be ordered separately.

A. Main Assembly & Refrigeration Circuit

KM-515MAJ

G-1

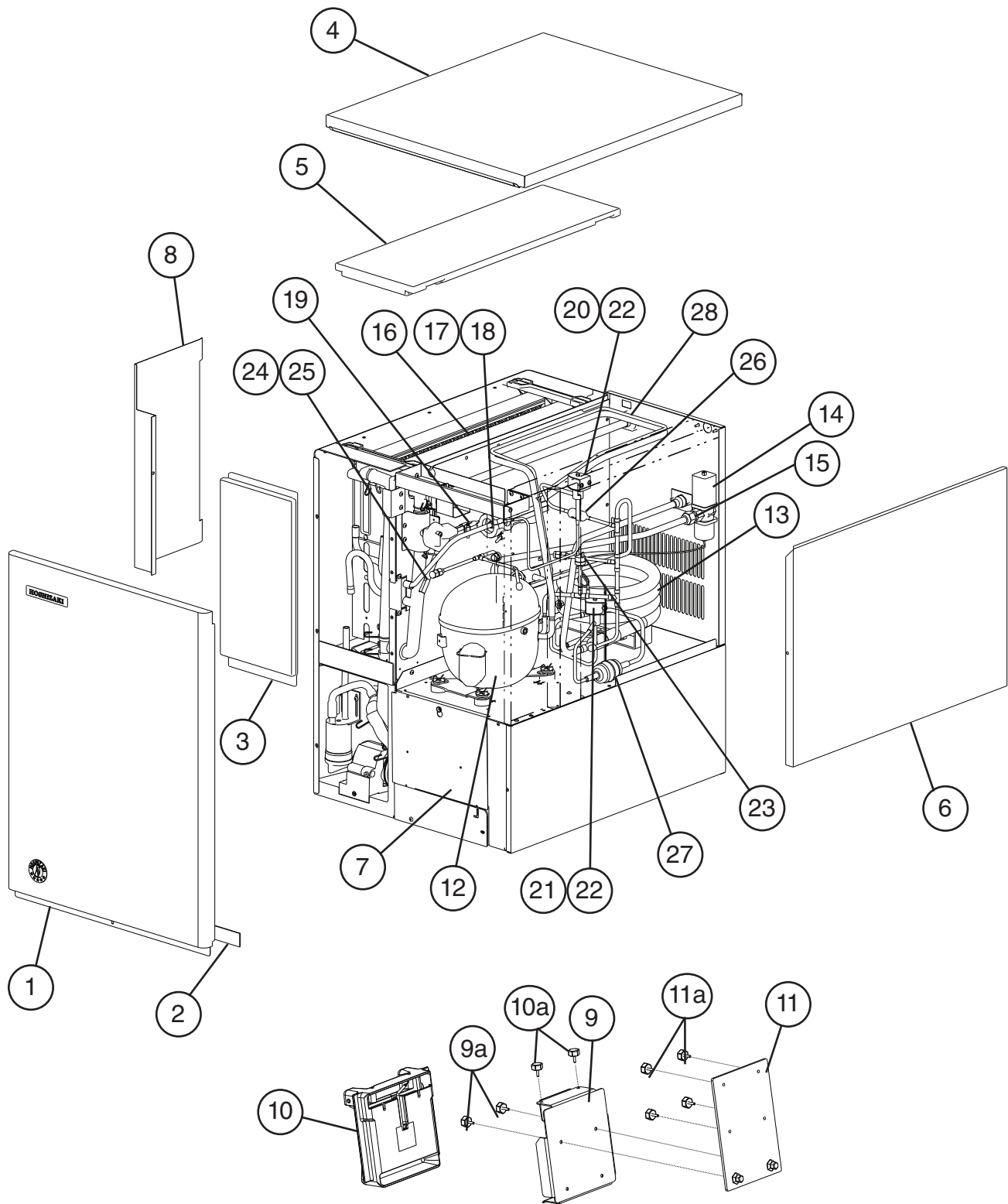


Title: A. Main Assembly & Refrigeration Circuit Model: KM-515MAJ												
Index No.	Description	Material or Model Number	Part Number	Required Number								
				G-1								
Main Assembly												
1	Front Panel		2A3767G01	1								
2	Gasket	L=554 mm	4A0808L02	1								
3	Front Insulation		215731G01	1								
4	Louver		1A0547-01	2								
4a	Push Retainer		4A2414-01	6								
5	Air Filter		2A2062G01	2								
6	Top Panel		3A3878A01	1								
7	Top Insulation		215730G01	1								
8	Right Side Panel		2A2117G01	1								
9	Base Cover		321525G01	1								
10	Control Box Cover		3A2476-01	1								
11	Mechanical Bin Control Switch Mount		3A6040-01	1								
11a	Thumbscrew		415949G10	2								
12	Mechanical Bin Control		2A4393G02	1								
12a	Thumbscrew		415949G10	2								
13	Mechanical Bin Control Extension Bracket		4A5046G01	1								
13a	Thumbscrew		415949G10	4								
Refrigeration Circuit												
14	Compressor		4A4479-01	1								
15	Condenser		2A3756-01	1								
16	Evaporator		1A4051G01	1								
17	Thermostatic Expansion Valve		4A4008-01	1								
18	Thermostatic Expansion Valve Cover		3A0944-01	1								
19	Thermostatic Expansion Valve Bulb Holder		3A0107-01	1								
20	Hot Gas Valve Body		4A3978-01	1								
21	Liquid Line Valve Body		4A3276-01	1								
22	Valve Coil		4A3277-01	2								
23	High-Pressure Switch		463180-04	1								
24	Thermistor		429006-03	1								
25	Thermistor Holder		427430-01	1								
26	Fan Motor		4A3158-01	1								
27	Fan Blade		4A3959-01	1								
28	Strainer		441569-01	1								
29	Drier		4A1113-01	1								
30	Heat Exchanger		2A4382G01	1								

A. Main Assembly & Refrigeration Circuit

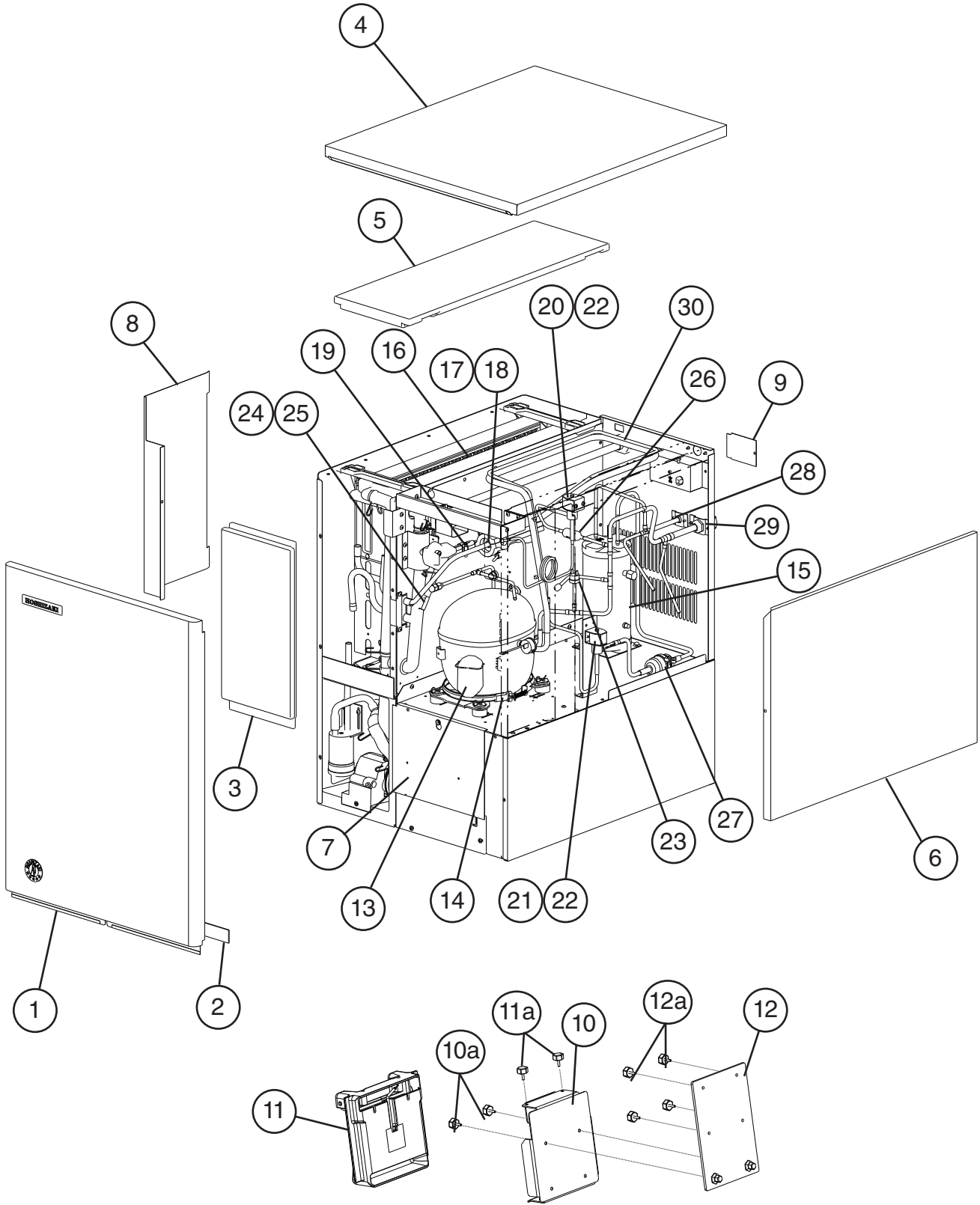
KM-515MWJ

G-1



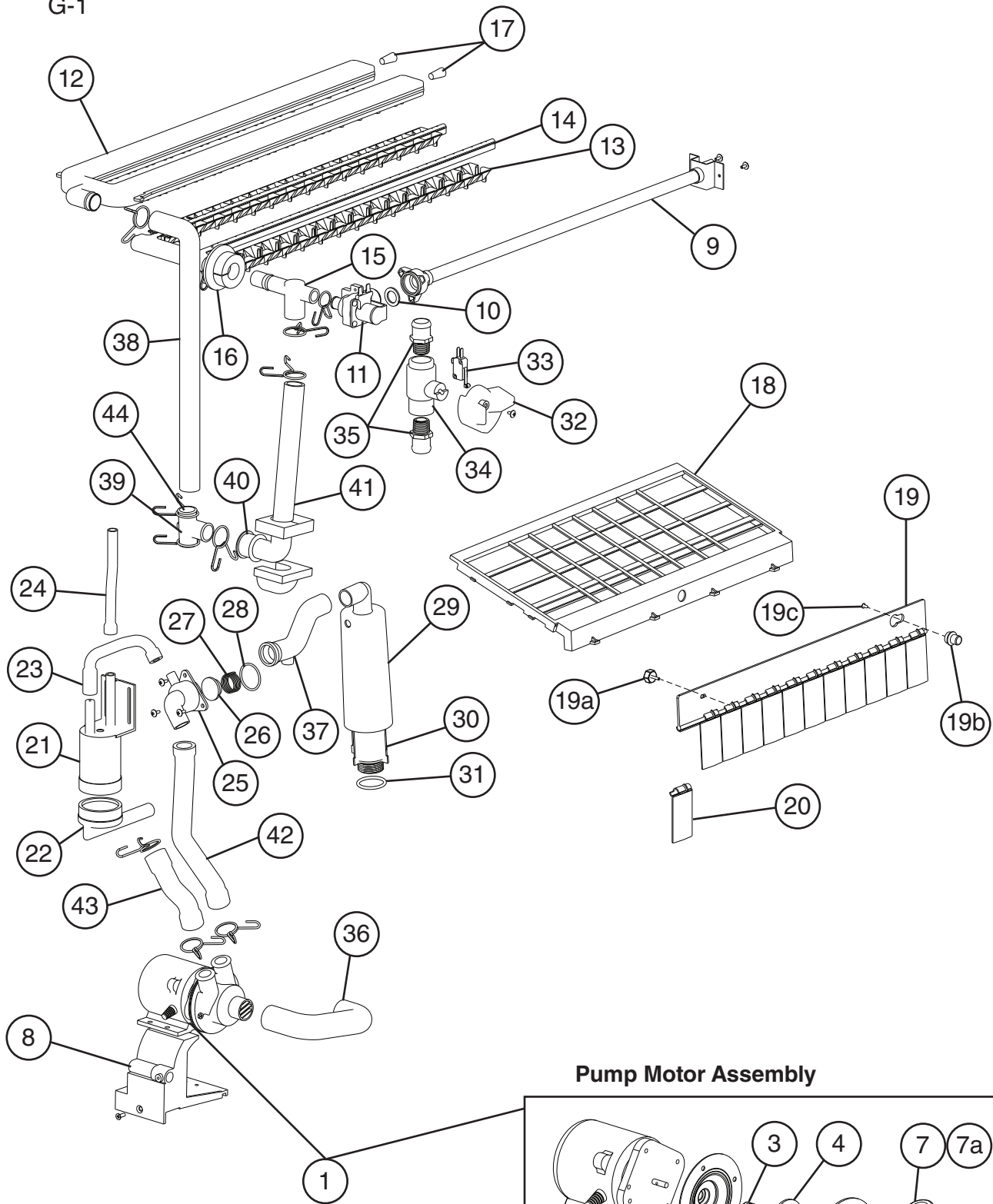
Title: A. Main Assembly & Refrigeration Circuit Model: KM-515MWJ												
Index No.	Description	Material or Model Number	Part Number	Required Number								
				G-1								
Main Assembly												
1	Front Panel		2A2150G01	1								
2	Gasket	L=554 mm	4A0808L02	1								
3	Front Insulation		215731G01	1								
4	Top Panel		3A3878A01	1								
5	Top Insulation		215730G01	1								
6	Right Side Panel		2A2117G01	1								
7	Base Cover		321525G01	1								
8	Control Box Cover		3A2476-01	1								
9	Mechanical Bin Control Switch Mount		3A6040-01	1								
9a	Thumbscrew		415949G10	2								
10	Mechanical Bin Control		2A4393G02	1								
10a	Thumbscrew		415949G10	2								
11	Mechanical Bin Control Extension Bracket		4A5046G01	1								
11a	Thumbscrew		415949G10	4								
Refrigeration Circuit												
12	Compressor		4A4479-01	1								
13	Condenser		3A7321-01	1								
14	Water Regulating Valve		4A0911-06	1								
15	Male Connector		4A1087-01	1								
16	Evaporator		1A4051G01	1								
17	Thermostatic Expansion Valve		4A4008-01	1								
18	Thermostatic Expansion Valve Cover		3A0944-01	1								
19	Thermostatic Expansion Valve Bulb Holder		3A0107-01	1								
20	Hot Gas Valve Body		4A3978-01	1								
21	Liquid Line Valve Body		4A3276-01	1								
22	Valve Coil		4A3277-01	2								
23	High-Pressure Switch		463180-05	1								
24	Thermistor		429006-03	1								
25	Thermistor Holder		427430-01	1								
26	Strainer		441569-01	1								
27	Drier		4A1113-01	1								
28	Heat Exchanger		2A4382G01	1								

A. Main Assembly & Refrigeration Circuit
KM-515MRJ
G-1

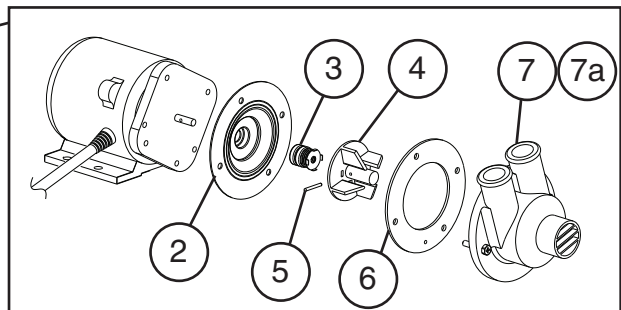


Title: A. Main Assembly & Refrigeration Circuit Model: KM-515MRJ												
Index No.	Description	Material or Model Number	Part Number	Required Number								
				G-1								
Ice Cuber Assembly												
1	Front Panel		2A2150G01	1								
2	Gasket	L=554 mm	4A0808L02	1								
3	Front Insulation		215731G01	1								
4	Top Panel		3A3878A01	1								
5	Top Insulation		215730G01	1								
6	Right Side Panel		2A2117G01	1								
7	Base Cover		321525G01	1								
8	Control Box Cover		3A2476-01	1								
9	Junction Box Cover		433410-01	1								
10	Mechanical Bin Control Switch Mount		3A6040-01	1								
10a	Thumbscrew		415949G10	2								
11	Mechanical Bin Control		2A4393G02	1								
11a	Thumbscrew		415949G10	2								
12	Mechanical Bin Control Extension Bracket		4A5046G01	1								
12a	Thumbscrew		415949G10	4								
Refrigeration Circuit												
13	Compressor		4A4479-01	1								
14	Crankcase Heater		4A5091-01	1								
15	Receiver Tank		437596-01	1								
16	Evaporator		1A4051G01	1								
17	Thermostatic Expansion Valve		4A1414-01	1								
18	Thermostatic Expansion Valve Cover		3A0944-01	1								
19	Thermostatic Expansion Valve Bulb Holder		3A0107-01	1								
20	Hot Gas Valve Body		4A3978-01	1								
21	Liquid Line Valve Body		4A3276-01	1								
22	Valve Coil		4A3277-01	2								
23	High-Pressure Switch		463180-04	1								
24	Thermistor		429006-03	1								
25	Thermistor Holder		427430-01	1								
26	Strainer		441569-01	1								
27	Drier		4A1113-01	1								
28	Liquid Line Coupling		426554-01	1								
29	Discharge Line Coupling		434072-01	1								
30	Heat Exchanger		2A4382G01	1								

B. Water Circuit
KM-515M_J
 G-1



Pump Motor Assembly

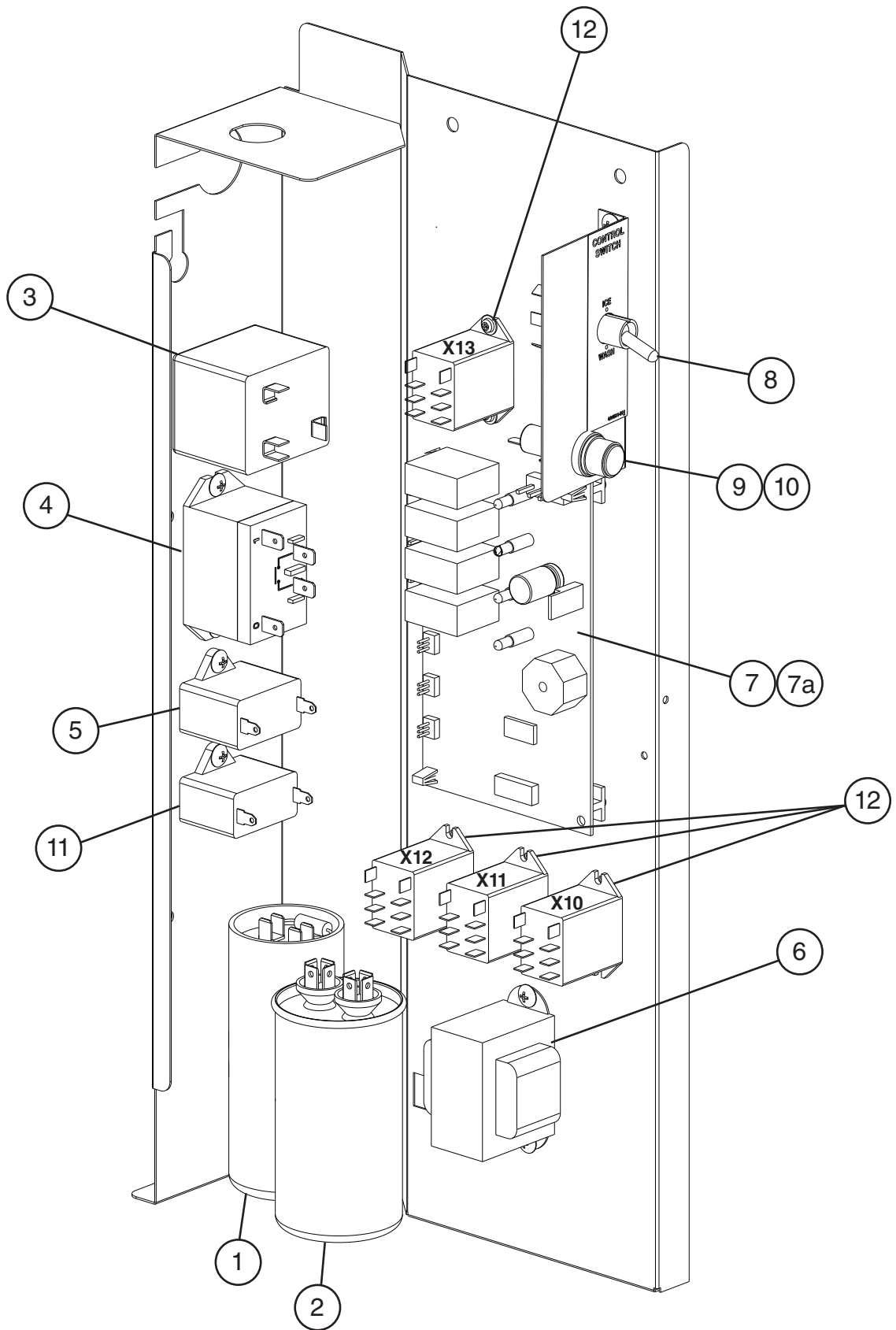


Title: B. Water Circuit Model: KM-515M_J

Index No.	Description	Material or Model Number	Part Number	Required Number																
				G-1																
1	Pump Motor Assembly (includes pump motor and items 2 through 7a)	PA0613	3A2638A03	1																
2	Pump Flange		3A2988-01	1																
3	Mechanical Seal		465627-01	1																
4	Impeller		433522-01	1																
5	Pin		4A0648-01	1																
6	Pump Gasket		4A2974-01	1																
7	Pump Housing		211409-01	1																
7a	Screw	4x20	4A3871-01	4																
8	Pump Motor Bracket		211408-01	1																
9	Water Supply Pipe		4A5216G04	1																
10	Rubber Gasket		413854-03	1																
11	Inlet Water Valve		3U0111-03	1																
12	Spray Tube		1A0260-02	1																
13	Spray Guide		2A4282-02	2																
14	Water Supply Tube		2A0079-01	1																
15	Distributor (Tee)		4A0177-01	1																
16	Flange		439267-01	1																
17	Spray Tube Plug		4A0176-01	2																
18	Cube Guide		212088-01	1																
19	Splash Curtain		3A9602-01	1																
19a	Thumbscrew		415949G10	1																
19b	Collar		435269-01	1																
19c	Screw	4x12	7C22-0412	1																
20	Separator		4X7933-01	12																
21	Float Switch		4A3624-01	1																
22	Float Switch Connector		426799-01	1																
23	Silicone Hose	L=140 mm	773013896	1																
24	Silicone Hose (vent)	L=140 mm	773013812	1																
25	Drain Valve Housing		321001-01	1																
26	Drain Valve Seat		433705-01	1																
27	Drain Valve Spring		322110-01	1																
28	Drain Valve O-Ring		7611-G035	1																
29	Overflow Cap		321002-01	1																
30	Overflow Pipe		430722-11	1																
31	Overflow Pipe O-Ring		4A1234-01	1																
32	Cleaning Valve Handle		215383-01	1																
33	Cleaning Valve Microswitch		4A2546-01	1																
34	Cleaning Valve Ball Valve		439293-01	1																
35	Cleaning Valve Male Adaptor		325826-01	2																
36	Suction Hose		433466-01	1																
37	Drain Hose		433468-01	1																
38	Rubber Hose C		4A1551-03	1																
39	Distributor (Tee)		432426-01	1																
40	Rubber Ring		439236-01	1																
41	Rubber Hose D		4A1551-04	1																
42	Vinyl Hose	L=250 mm	7716-2025	1																
43	Vinyl Hose (drain)	L=110 mm	7716-2025	1																
44	Reducing Pipe		4A5767-01	1																

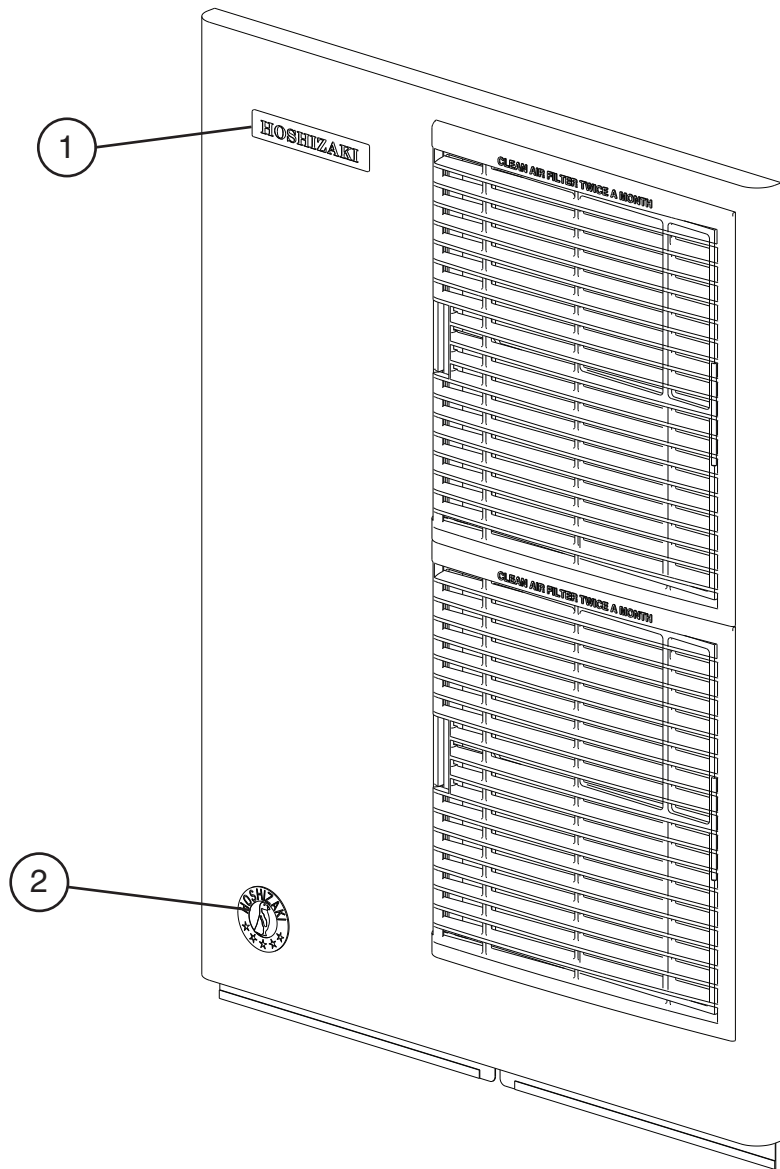
Title: B. Water Circuit Model: KM-515M_J												
Index No.	Description	Material or Model Number	Part Number	Required Number								
				G-1								
Hose Clamps												
	Hose Clamp	25 mm	427443-03	8								
	Hose Clamp	26 - 30 mm	4A2017-02	1								
	Hose Clamp	17 - 21.5 mm	4A2017-05	1								

C. Control Box Assembly KM-515M_J G-1



Title: C. Control Box Assembly Model: KM-515M_J												
Index No.	Description	Material or Model Number	Part Number	Required Number								
				G-1								
1	Start Capacitor	243-292MFD, 165VAC	3A0076-20	1								
2	Run Capacitor	35MFD, 440VAC	3A2005-12	1								
3	Start Relay		4A1107-11	1								
4	Compressor Relay		4A3140-01	1								
5	Pump Motor Capacitor	5.5MFD, 250VAC	443192-03	1								
6	Control Transformer		3A0172-01	1								
7	Control Board		2A7664-02	1								
7a	Control Board Support		4A0336-03	4								
8	Toggle Switch (control)		443119-01	1								
9	Fuse Holder		4A5443-01	1								
10	Fuse	AGC-10A, 250VAC	4A0893-07	1								
11	Fan Motor Capacitor	KM-515MAJ 5MFD, 250VAC	443192-02	1								
12	Relay (X10 - Pump Direction Relay X11 - X10 Control Relay X12 - Slush Control Relay)	All Models	406132-07	3								
	Relay (X13 - Crankcase Heater Relay)	KM-515MRJ		1								

D. Accessories & Labels
KM-515M_J
 G-1



Title: D. Accessories & Labels Model: KM-515M_J											
Index No.	Description	Material or Model Number	Part Number	Required Number							
				G-1							
1	Hoshizaki Emblem Label		4A0560-01	1							
2	Penguin Label		475552L02	1							
3	Universal Brace		4A0363-01	2							
3a	Hex Head Bolt	5x12, SS	7B02-0512	2							