



HOSHIZAKI

Parts List

Modular Crescent Cuber

Models

KMD-850MAH, MWH, MRH



hoshizakiamerica.com

Number: 71284
Issued: 8/27/2008
Revised: 10-4-2017

CONTENTS

Auxiliary Codes.....	3
Note About Ordering Parts	4
A. Main Assembly & Refrigeration Circuit	5
KMD-850MAH	5
KMD-850MWH	8
KMD-850MRH.....	10
B. Water Circuit	13
C. Control Box Assembly	16
D. Accessories & Labels	18

Auxiliary Codes

KMD-850MAH

T-0 March 2008
U-1 April 2009
U-2 July 2009
V-0 January 2010
V-1 July 2010
A-0 January 2011
B-0 January 2012
C-0 January 2013
C-1 August 2013
C-2 December 2013
D-1 January 2014
D-2 July 2014
E-0 January 2015
F-0 January 2016
G-0 January 2017
G-1 April 2017

KMD-850MWH

T-0 March 2008
U-1 May 2009
U-2 October 2009
V-0 January 2010
V-1 July 2010
A-0 February 2011
B-0 April 2012
C-0 January 2013
C-1 March 2013
C-2 November 2013
D-1 January 2014
E-0 January 2015
F-0 February 2016
G-1 April 2017

KMD-850MRH

T-0 March 2008
U-2 September 2009
V-0 January 2010
V-1 July 2010
A-0 February 2011
A-1 October 2011
B-0 January 2012
C-0 January 2013
C-1 August 2013
C-2 December 2013
D-0 January 2014
D-1 February 2014
D-2 November 2014
E-0 January 2015
F-0 January 2016
G-1 April 2017

Auxiliary Code Breakdown

The auxiliary code is the first two characters in the serial number. The first character indicates the year. Years progress or regress in alphabetical order. The series runs from "A" through "V" and the letters "I" and "O" are skipped. The second character indicates significant part changes within a year. Base is "0" and this number advances for each change. In cases where there is a letter in parentheses, this designates the month. This is the last character in the serial number. The series runs from "(A)" through "(M)" and the letter "(I)" is skipped. This designation is only included when identifying a parts change within an auxiliary code.

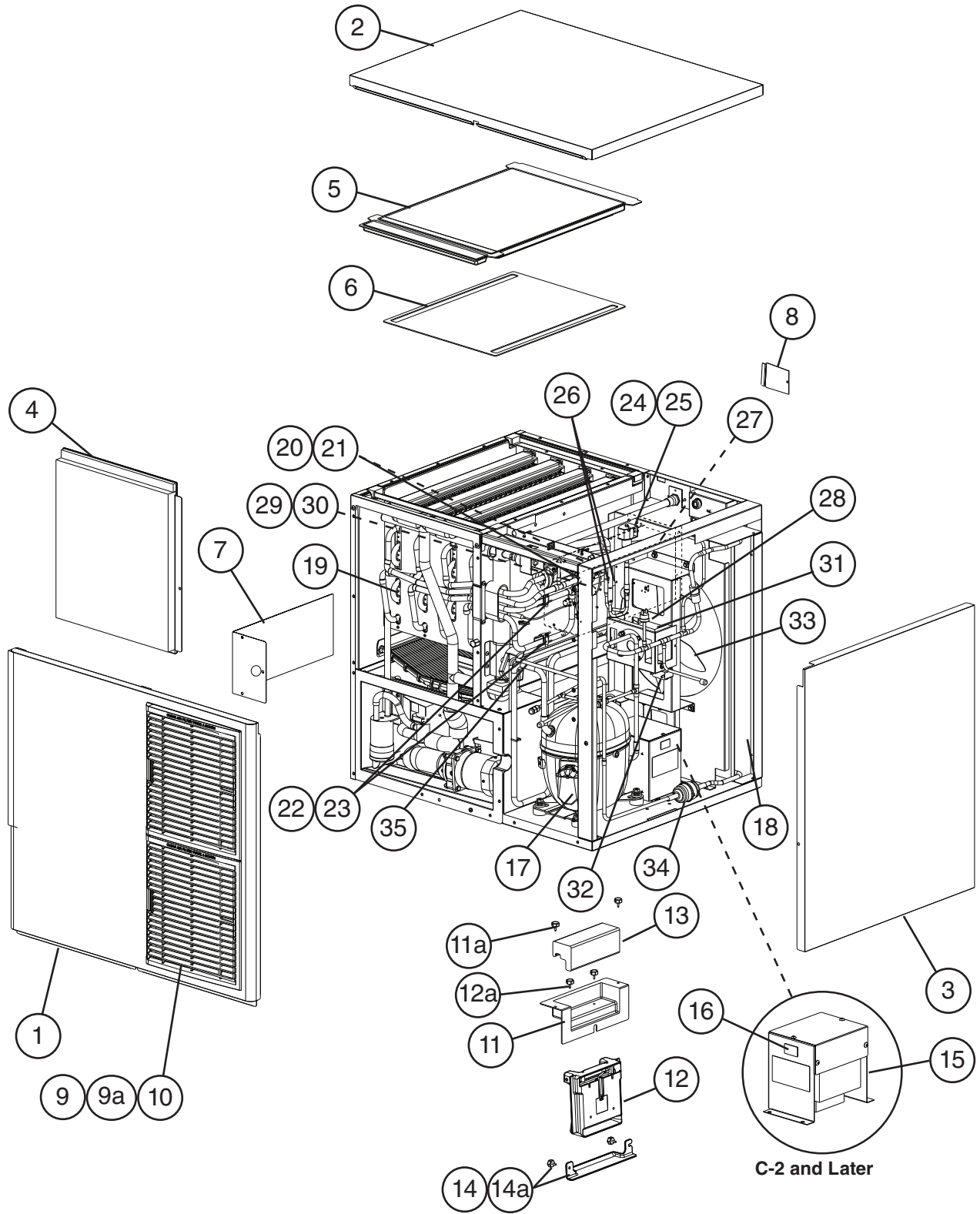
Note About Ordering Parts

Most assemblies cannot be ordered as complete units; parts in the assemblies generally must be ordered separately.

A. Main Assembly & Refrigeration Circuit

KMD-850MAH

T-0 to G-1

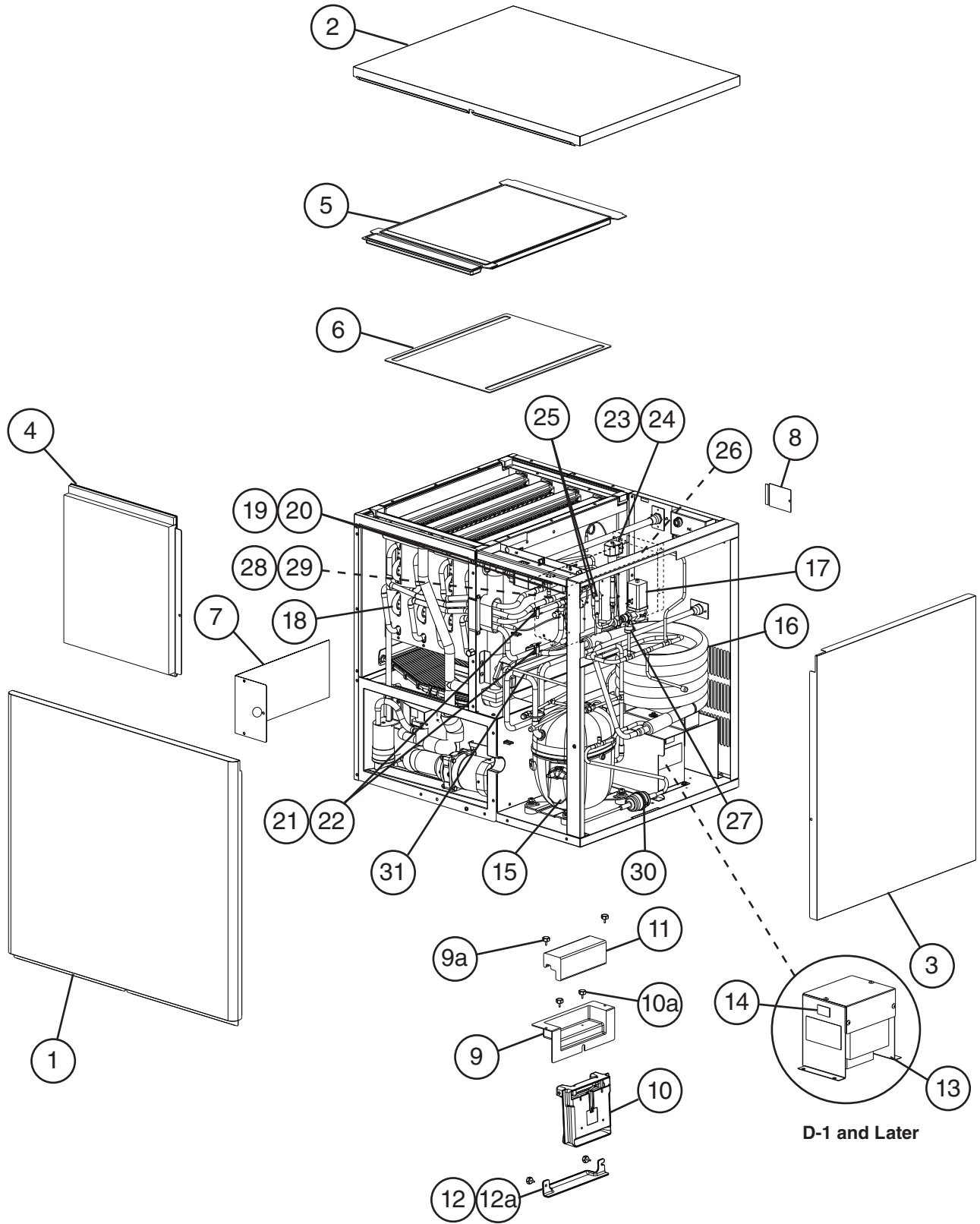


Title: A. Main Assembly & Refrigeration Circuit Model: KMD-850MAH												
Index No.	Description	Material or Model Number	Part Number	Required Number								
				T-0	U-1 to C-0	U-2 to C-0	C-1	C-2 to E-0 (D)	E-0 to G-1			
Main Assembly												
1	Front Panel		2A2958G01	1	1	1	1	1	1			
2	Top Panel		2A2955G01	1	1	1	1	1	1			
3	Right Side Panel		2A2800G01	1	1	1	1	1	1			
4	Front Insulation		3A2933G01	1	1	1	1	1	1			
5	Top Insulation		3A2934G01	1	1	1	1	1	1			
6	Top Cover		3A2922-01	1	1	1	1	1	1			
7	Control Box Cover		3A2371-01	1	1	1	1	1	1			
8	Junction Box Cover		433410-01	1	1	1	1	1	1			
9	Louver		1A0547-01	2	2	2	2	2	2			
9a	Push Retainer		4A2414-01	6	6	6	6	6	6			
10	Air Filter		2A2062G01	2	2	2	2	2	2			
11	Switch Cover		3A2642-01	1	1	1	2	2	2			
11a	Thumbscrew		415949G10	2	2	2	2	2	2			
12	Bin Control		464574-01	1	-							
			2A4393G01		1	1	1	1	1			
12a	Thumbscrew		415949G10	2	2	2	2	2	2			
13	Insulation-Switch		4A3068-01	1	1	1	1	1	1			
14	Switch Guide		3A2643-01	1	1	1	1	1	1			
14a	Thumbscrew		415949G10	2	2	2	2	2	2			
15	Main Transformer		4A0817-01					1	1			
16	Voltage Tap Switch		4A1477-01					1	1			
Refrigeration Circuit												
17	Compressor		4A4066-01	1	1	1	-					
			3A6900-02				1	1	1			
18	Condenser		1A0802-01	1	1	1	1	1	1			
19	Evaporator		2A2781G02	1	1	1	1	1	1			
20	Thermostatic Expansion Valve		4A4008-01	2	2	2	2	2	2			
21	Thermostatic Expansion Valve Cover		3A0944-01	2	2	2	2	2	2			
22	Thermostatic Expansion Valve Holder		3A0107-01	2	2	2	2	2	2			
23	Clamp		443461-02	2	2	2	2	2	2			
24	Hot Gas Valve Body		4A3978-01	1	1	1	1	1	1			
25	Valve Coil		4A3277-01	1	1	1	1	1	1			
26	Check Valve		4A1373-01	2	2	2	2	2	2			
27	Strainer		441569-02	1	1	1	1	1	1			
28	High-Pressure Switch		433441-07	1	1	-						
			463180-04			1	1	1	1			
29	Thermistor		429006-03	1	1	1	1	1	1			
30	Thermistor Holder		427430-01	1	1	1	1	1	1			
31	Fan Motor		4A3158-01	1	1	1	1	1	1			
32	Fan Capacitor	5MFD, 250VAC	443192-02	1	1	1	1	1	1			
33	Fan Blade		4A4144-01	1	1	1	1	1	-			
			4A0197-01						1			
34	Drier		4A2666-01	1	1	1	1	1	1			
35	Heat Exchanger		2A4094G01	1	1	1	-					
			3A7845G01				1	1	1			

A. Main Assembly & Refrigeration Circuit

KMD-850MWH

T-0 to G-1

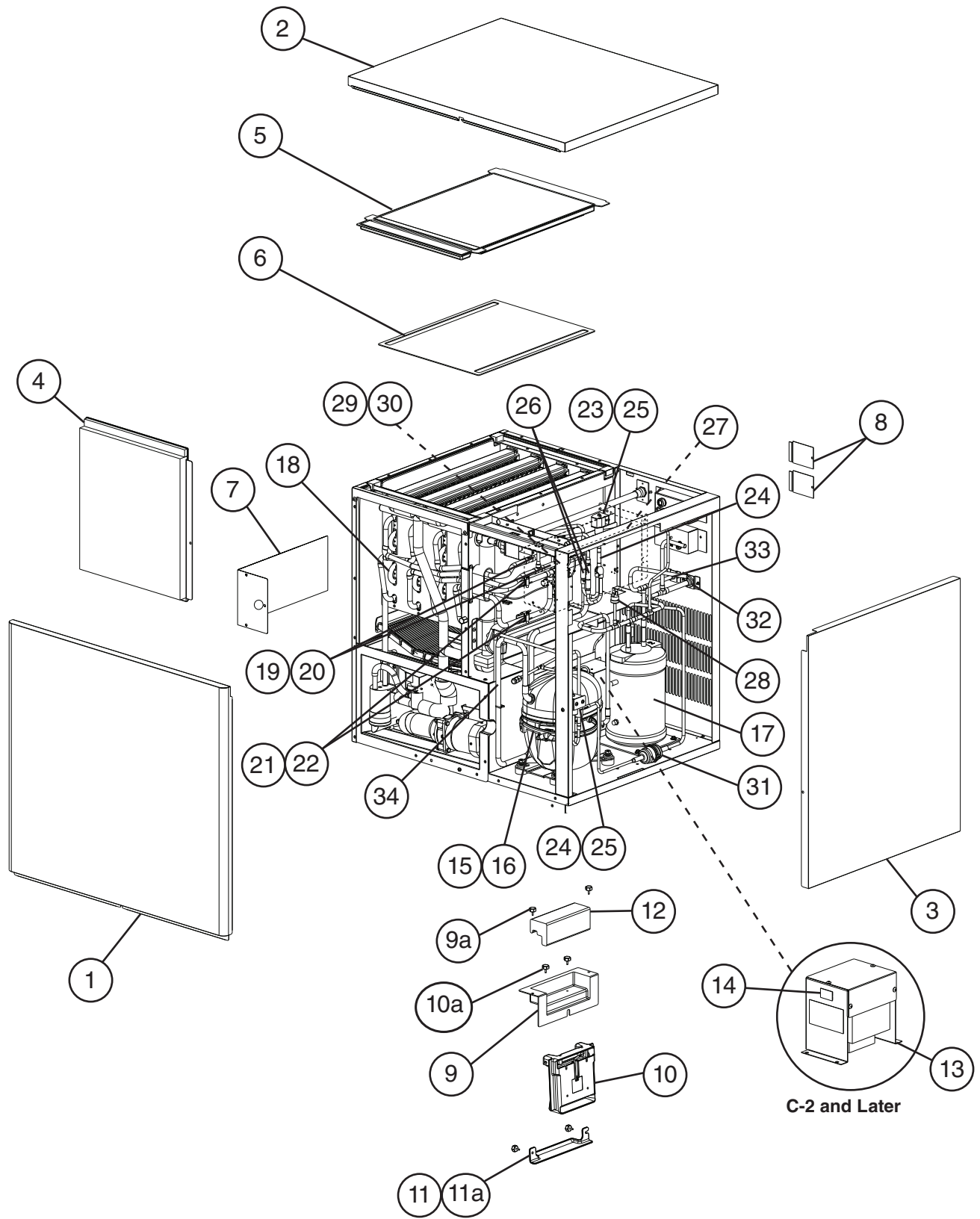


Title: A. Main Assembly & Refrigeration Circuit Model: KMD-850MWH												
Index No.	Description	Material or Model Number	Part Number	Required Number								
				T-0	U-1	U-2 to C-0	C-1	C-2	D-1 to G-1			
Main Assembly												
1	Front Panel		2A2956G01	1	1	1	1	1	1			
2	Top Panel		2A2959-01	1	1	1	1	1	1			
3	Right Side Panel		2A2800G01	1	1	1	1	1	1			
4	Front Insulation		3A2933G01	1	1	1	1	1	1			
5	Top Insulation		3A2934G01	1	1	1	1	1	1			
6	Top Cover		3A2922-01	1	1	1	1	1	1			
7	Control Box Cover		3A2371-01	1	1	1	1	1	1			
8	Junction Box Cover		433410-01	1	1	1	1	1	1			
9	Switch Cover		3A2642-01	1	1	1	1	1	1			
9a	Thumbscrew		415949G10	2	2	2	2	2	2			
10	Bin Control		464574-01	1	-							
			2A4393G01		1	1	1	1	1			
10a	Thumbscrew		415949G10	2	2	2	2	2	2			
11	Insulation-Switch		4A3068-01	1	1	1	1	1	1			
12	Switch Guide		3A2643-01	1	1	1	1	1	1			
12a	Thumbscrew		415949G10	2	2	2	1	1	1			
13	Main Transformer		4A0817-01							1		
14	Voltage Tap Switch		4A1477-01							1		
Refrigeration Circuit												
15	Compressor		4A4066-01	1	1	1	1	-				
			3A6900-02					1	1			
16	Condenser		2A2359G03	1	1	1	-					
			3A7323-01				1	1	1			
17	Water Regulator		4A0911-07	1	1	1	1	1	1			
18	Evaporator		2A2781G02	1	1	1	1	1	1			
19	Thermostatic Expansion Valve		4A4008-01	2	2	2	2	2	2			
20	Thermostatic Expansion Valve Cover		3A0944-01	2	2	2	2	2	2			
21	Thermostatic Expansion Valve Holder		3A0107-01	2	2	2	2	2	2			
22	Clamp		443461-02	2	2	2	2	2	2			
23	Hot Gas Valve Body		4A3978-01	1	1	1	1	1	1			
24	Valve Coil		4A3277-01	1	1	1	1	1	1			
25	Check Valve		4A1373-01	2	2	2	2	2	2			
26	Strainer		441569-02	1	1	1	1	1	1			
27	High-Pressure Switch		433441-05	1	1	-						
			463180-05			1	1	1	1			
28	Thermistor		429006-03	1	1	1	1	1	1			
29	Thermistor Holder		427430-01	1	1	1	1	1	1			
30	Drier		4A2666-01	1	1	1	1	1	1			
31	Heat Exchanger		2A4094G01	1	1	1	1	-				
			3A7820G01					1	1			

A. Main Assembly & Refrigeration Circuit

KMD-850MRH

T-0 to G-1

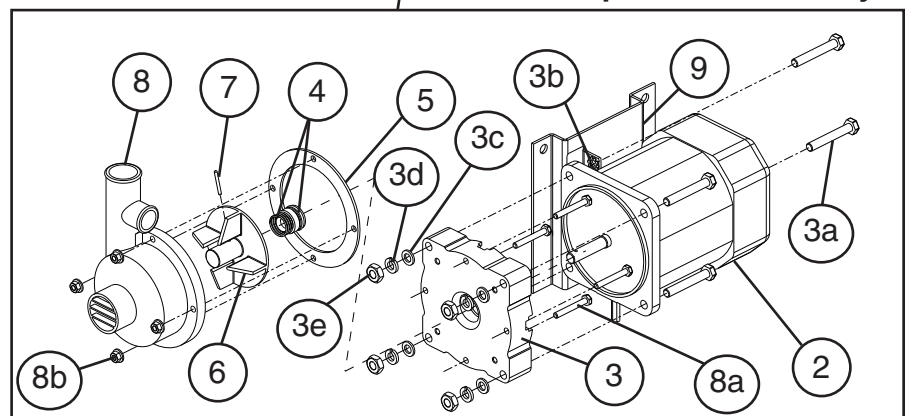
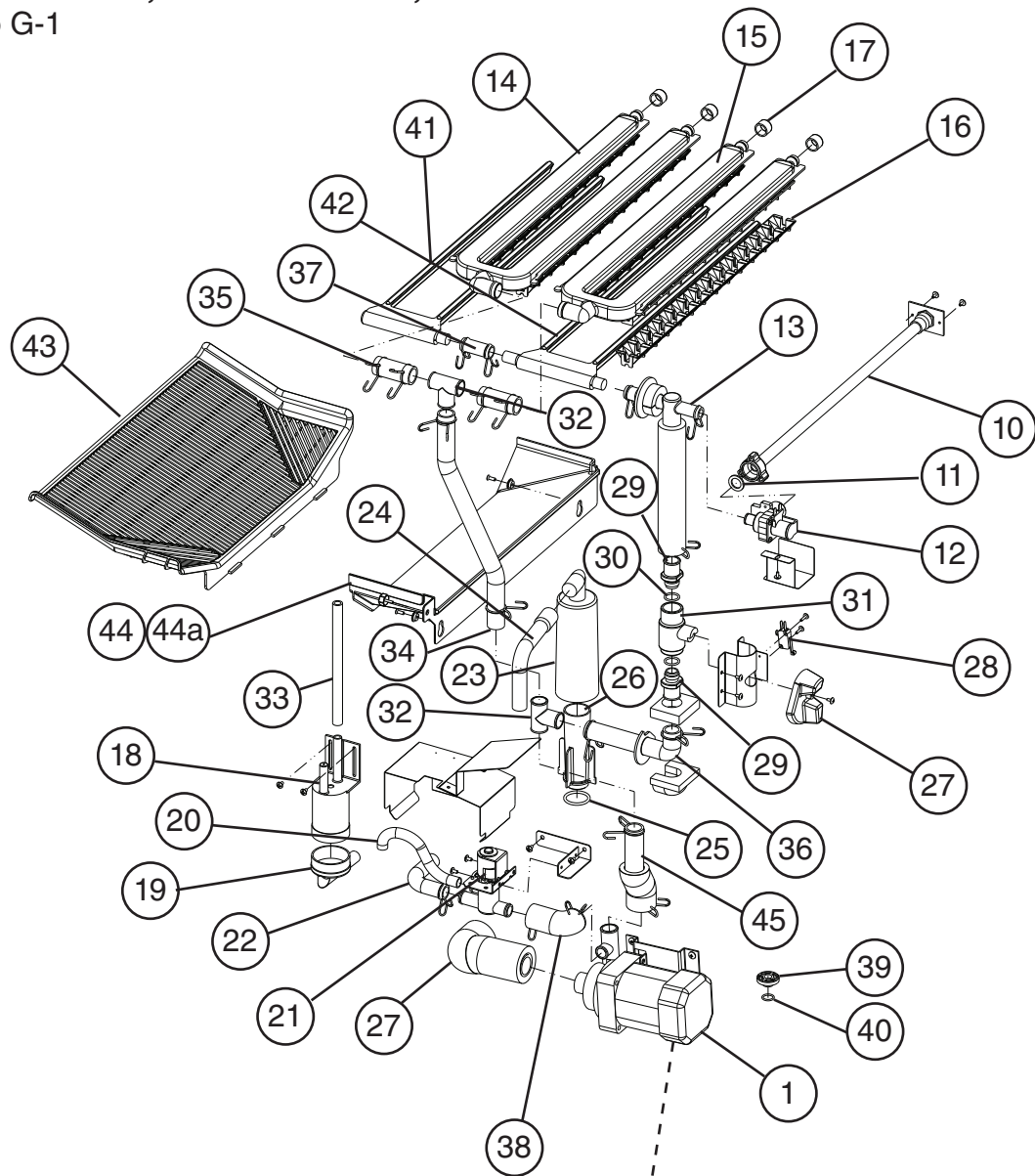


Title: A. Main Assembly & Refrigeration Circuit Model: KMD-850MRH													
Index No.	Description	Material or Model Number	Part Number	Required Number									
				T-0	U-1	U-2 to C-0	C-1	C-2 to G-1					
Main Assembly													
1	Front Panel		2A2956G01	1	1	1	1	1					
2	Top Panel		2A2959G01	1	1	1	1	1					
3	Right Side Panel		2A2800G01	1	1	1	1	1					
4	Front Insulation		3A2933G01	1	1	1	1	1					
5	Top Insulation		3A2934G01	1	1	1	1	1					
6	Top Cover		3A2922-01	1	1	1	1	1					
7	Control Box Cover		3A2371-01	1	1	1	1	1					
8	Junction Box Cover		433410-01	2	2	2	2	2					
9	Switch Cover		3A2642-01	1	1	1	1	1					
9a	Thumbscrew		415949G10	2	2	2	2	2					
10	Bin Control		464574-01	1	-								
			2A4393G01		1	1	1	1					
10a	Thumbscrew		415949G10	2	2	2	2	2					
11	Switch Guide		3A2643-01	1	1	1	1	1					
11a	Thumbscrew		415949G10	2	2	2	2	2					
12	Insulation-Switch		4A3068-01	1	1	1	1	1					
13	Main Transformer		4A0817-01									1	
14	Voltage Tap Switch		4A1477-01									1	
Refrigeration Circuit													
15	Compressor		4A4066-01	1	1	1	-						
			3A6900-02				1	1					
16	Crankcase Heater		434924-01	1	1	-							
			4A5091-01			1	1	1					
17	Receiver Tank		437652-01	1	1	1	1	1					
18	Evaporator		2A2781G02	1	1	1	1	1					
19	Thermostatic Expansion Valve		4A4008-01	2	2	2	2	2					
20	Thermostatic Expansion Valve Cover		3A0944-01	2	2	2	2	2					
21	Thermostatic Expansion Valve Holder		3A0107-01	2	2	2	2	2					
22	Clamp		443461-02	2	2	2	2	2					
23	Hot Gas Valve Body		4A3978-01	1	1	1	1	1					
24	Liquid Line Valve Body		4A3276-01	1	1	1	1	1					
25	Valve Coil		4A3277-01	2	2	2	2	2					
26	Check Valve		4A2054-01	2	2	2	2	2					
27	Strainer		441569-02	1	1	1	1	1					
28	High-Pressure Switch		433441-07	1	1	-							
			463180-04			1	1	1					
29	Thermistor		429006-03	1	1	1	1	1					
30	Thermistor Holder		427430-01	1	1	1	1	1					
31	Drier		4A2666-01	1	1	1	1	1					
32	Discharge Line Coupling		434136G01	1	1	1	1	1					
33	Liquid Line Coupling		433751G01	1	1	1	1	1					
34	Heat Exchanger		2A4094G01	1	1	1	-						
			3A7845G01				1	1					

B. Water Circuit

KMD-850MAH, KMD-850MWH, KMD-850MRH

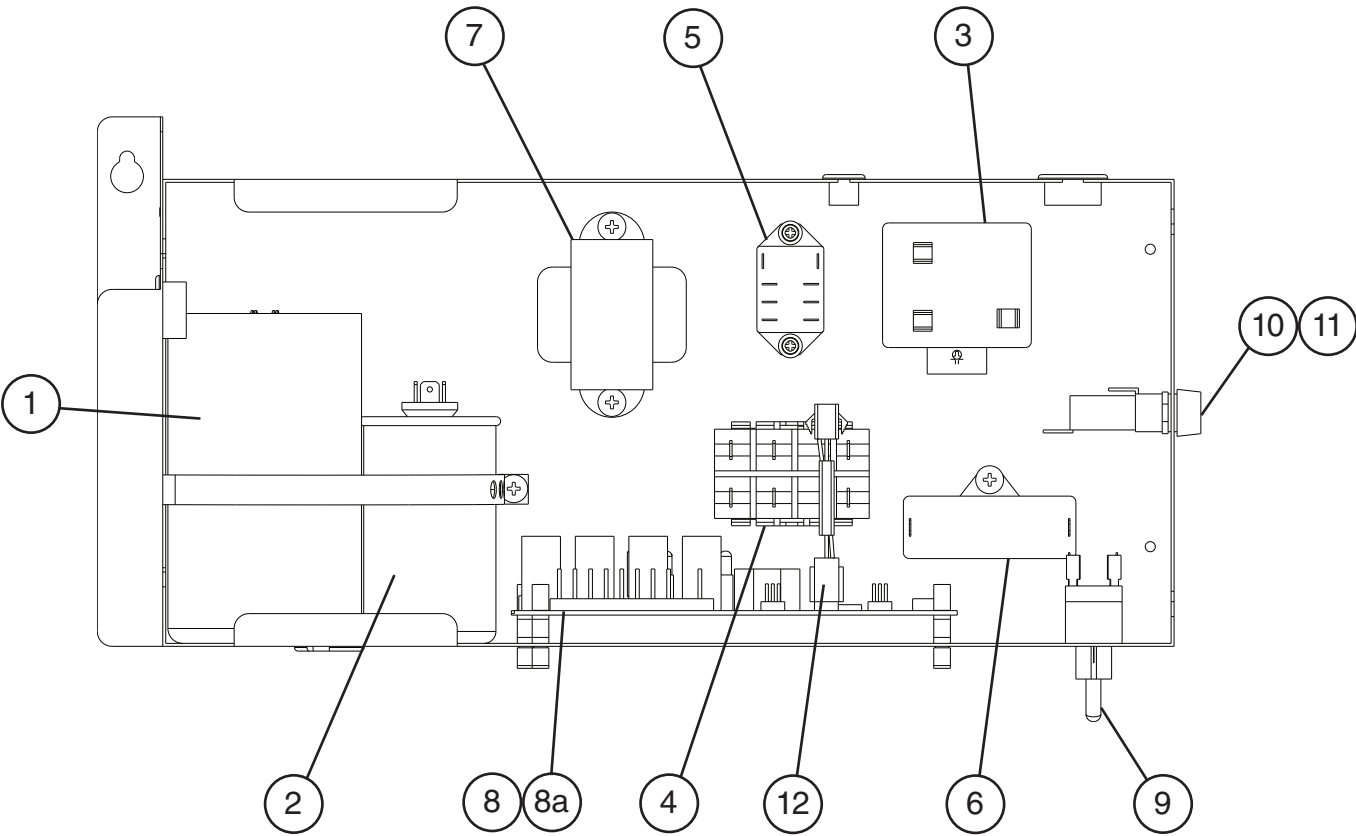
T-0 to G-1



Title: B. Water Circuit Model: KMD-850MAH, KMD-850MWH, KMD-850MRH											
Index No.	Description	Material or Model Number	Part Number	Required Number							
				T-0 to V-1	A-0 to D-1	D-2 to F-0	G-1				
1	Pump Motor Assembly (includes items 1 through 9)		2A2848A01	1	1	1	1				
2	Pump Motor		2U0106-01	1	1	1	-				
			3A7682-01				1				
3	Pump Flange		215662-01	1	1	1	1				
3a	Hex Bolt		7B02-0640	4	4	4	4				
3b	Tooth Washer		7R22-0600	2	2	2	2				
3c	Flat Washer		7W22-0600	4	4	4	4				
3d	Split Lock Washer		7L22-0600	4	4	4	4				
3e	Hex Nut		7N12-0600	4	4	4	4				
4	Mechanical Seal		4A3820-01	1	1	1	1				
5	Packing		428547-01	1	1	1	1				
6	Impeller		428548-01	1	1	1	1				
7	Pin		4A0648-01	1	1	1	1				
8	Pump Housing		2A2762-01	1	1	1	1				
8a	Hex Bolt	4x30, SS	7B02-0430	4	4	4	4				
8b	Hex Flange Nut		7J02-0400	4	4	4	4				
9	Pump Motor Bracket		323904-01	1	1	1	1				
10	Water Supply Pipe		4A0768G08	1	1	1	1				
11	Rubber Gasket		413854-03	1	1	1	1				
12	Inlet Water Valve	KMD-850MAH	3U0111-02	1	1	-	-				
			4A5251-04			1	1				
		KMD-850MWH KMD-850MRH	3U0111-02	1	1	1	1				
13	Water Valve Hose		3A2648-01	1	1	1	1				
14	Left Spray Tube		2A2369-01	1	1	1	1				
15	Right Spray Tube		2A2369-02	1	1	1	1				
16	Spray Guide		2A4282-03	4	4	4	4				
17	Spray Tube Plug		3A2645-01	4	4	4	4				
18	Float Switch		4A3624-01	1	1	1	1				
19	Float Switch Connector		426799-03	1	1	1	1				
20	Float Switch Hose		3A2647-01	1	1	1	1				
21	Drain Valve		4A5447-01	1	1	1	1				
22	Drain Hose		4A3002-01	1	1	1	1				
23	Overflow Cap		321002-01	1	1	1	1				
24	Overflow Drain Hose		4A3003-01	1	1	1	1				
25	Over Flow O-Ring		4A1234-01	1	1	1	1				
26	Overflow Pipe		430722-10	1	1	1	1				
27	Suction Hose		4A3001-01	1	1	1	1				
28	Microswitch		4A2546-01	1	1	1	1				
29	Male Adapter		325826-01	2	2	2	2				
30	O-Ring		7611-P018	2	Replaced with Thread Sealant Type						
31	Ball Valve		439293-01	1	1	1	1				
32	Distributor (Tee)		432426-01	2	2	2	2				
33	Silicone Hose	L=200 mm	7730I3896	1	1	1	1				
34	Vinyl Hose	L=358 mm	7716-2025	1	1	1	1				
35	Vinyl Hose	L=63 mm	7716-2025	2	2	2	2				

Title: B. Water Circuit Model: KMD-850MAH, KMD-850MWH, KMD-850MRH											
Index No.	Description	Material or Model Number	Part Number	Required Number							
				T-0 to V-1	A-0 to D-1	D-2 to F-0	G-1				
36	Bypass Hose		439237-03	1	1	1	1				
37	Vinyl Hose	L=47 mm	7716-1519	1	1	1	1				
38	Pump Motor Drain Hose		4A3044-01	1	1	1	1				
39	Drain Plug		309246-01	1	1	1	1				
40	Drain O-Ring		7611-P015	1	1	1	1				
41	Left Water Supply Tube		2A2370-02	1	1	1	1				
42	Right Water Supply Tube		2A2370-01	1	1	1	1				
43	Cube Guide A		1A0842-01	1	1	1	1				
44	Cube Guide B		1A0781-01	1	1	1	1				
44a	Thumbscrew		415949G10	1	1	1	1				
45	Discharge Hose		3A2646-01	1	1	1	1				
Hose Clamps											
	Hose Clamp	25 mm	427443-03	9	9	9	9				
	Hose Clamp	18 mm	427443-05	2	2	2	2				
	Hose Clamp	20 mm	427443-06	3	3	3	3				
	Hose Clamp	27 mm	427443-08	1	1	1	1				
	Hose Clamp	20-30 mm	4A2017-02	1	1	1	1				
	Hose Clamp	15-17 mm	4A2017-07	1	1	1	1				

C. Control Box Assembly
KMD-850MAH, KMD-850MWH, KMD-850MRH
T-0 to G-1

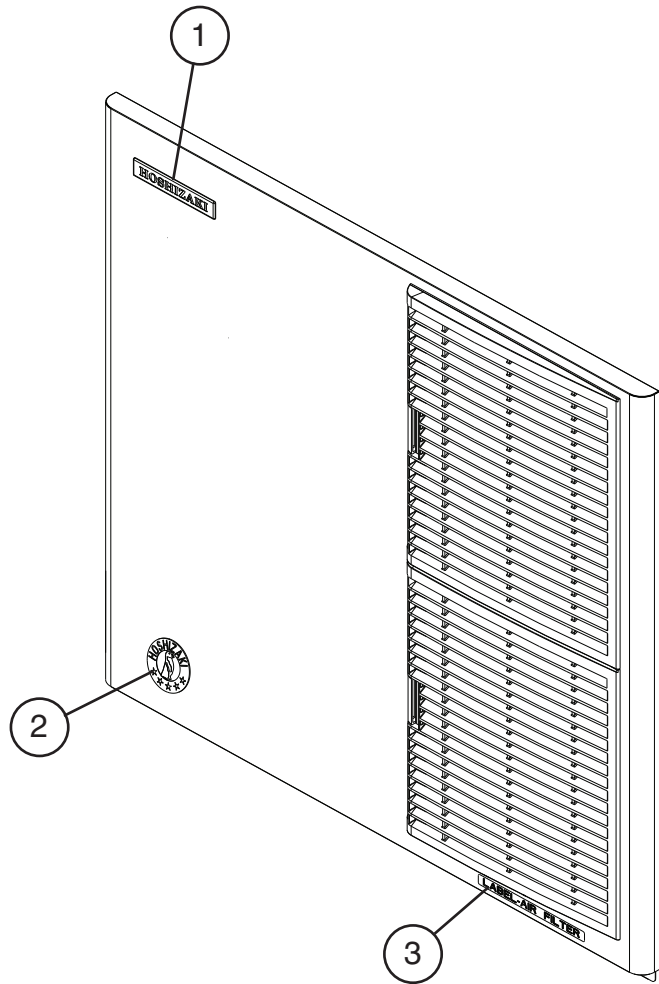


Title: C. Control Box Assembly Model: KMD-850MAH, KMD-850MWH, KMD-850MRH											
Index No.	Description	Material or Model Number	Part Number	Required Number							
				T-0 to C-0	C-1	C-2 to G-1					
1	Start Capacitor	KMD-850MAH KMD-850MRH 145-174MFD, 250VAC	3A0076-01	1	-						
		KMD-850MAH KMD-850MRH 108-130MFD, 330VAC	3A0076-22		1	1					
		KMD-850MWH 145-174MFD, 250VAC	3A0076-01	1	1	-					
		KMD-850MWH 108-130MFD, 330VAC	3A0076-22				1				
2	Run Capacitor	KMD-850MAH KMD-850MRH 30MFD, 370VAC	3A2005-03	1	-						
		KMD-850MAH KMD-850MRH 30MFD, 440VAC	3A2005-14		1	1					
		KMD-850MWH 30MFD, 370VAC	3A2005-03	1	1	-					
		KMD-850MWH 30MFD, 440VAC	3A2005-14				1				
3	Start Relay	KMD-850MAH KMD-850MRH 3ARR3CT10S5	4A1107-09	1	-						
		KMD-850MAH KMD-850MRH 3ARR3KC6V5	4A1107-07		1	1					
		KMD-850MWH 3ARR3CT10S5	4A1107-09	1	1	-					
		KMD-850MWH 3ARR3KC6V5	4A1107-07				1				
4	Compressor Relay	KMD-850MAH KMD-850MWH	4A3140-01	1	1	1					
		KMD-850MRH	4A5096-01	1	1	1					
5	Service Relay	120VAC	406132-07	1	1	1					
6	Pump Capacitor	10MFD, 250VAC	443192-01	1	1	1					
7	Control Transformer		3A0172-01	1	1	1					
8	Control Board		2A3792-01	1	1	1					
8a	Control Board Support		4A0336-03	4	4	4					
9	Toggle Switch		443119-01	1	1	1					
10	Fuse Holder		4A5443-01	1	1	1					
11	Fuse	AGC-10A, 250VAC	4A0893-07	1	1	1					
12	Wire Harness		4A2200G04	1	1	1					

D. Accessories & Labels

KMD-850MAH, KMD-850MWH, KMD-850MRH

T-0 to G-1



Title: D. Accessories & Labels		Model: KMD-850MAH, KMD-850MWH, KMD-850MRH		Required Number							
Index No.	Description	Material or Model Number	Part Number	T-0 to D-1	D-2 to G-1						
				1	Emblem		4A0560-01	1	1		
2	Penguin Label		4A0526-01	1	1						
3	Air Filter Label		426177-01	1	-						
4	Universal Brace		4A0363-01	2	2						
4a	Hex Bolt	5x12, SS	7B02-0512	2	2						