



# HOSHIZAKI

## Parts List

Low-Profile Modular Crescent Cuber

Models

KML-500MAJ

KML-500MWJ



[hoshizakiamerica.com](http://hoshizakiamerica.com)

Number: 71378  
Issued: 2-8-2017  
Revised: 9-12-2018

## CONTENTS

Auxiliary Codes.....	3
Note About Ordering Parts .....	3
A. Main Assembly & Refrigeration Circuit .....	4
KML-500MAJ.....	4
KML-500MWJ.....	6
B. Water Circuit.....	8
C. Control Box Assembly .....	10
D. Accessories & Labels .....	12

## **Auxiliary Codes**

### **KML-500MAJ**

F-0 October 2016  
G-0 February 2017  
G-1 September 2017  
H-0 January 2018

### **KML-500MWJ**

F-0 October 2016  
G-0 February 2017  
G-1 September 2017  
H-0 January 2018

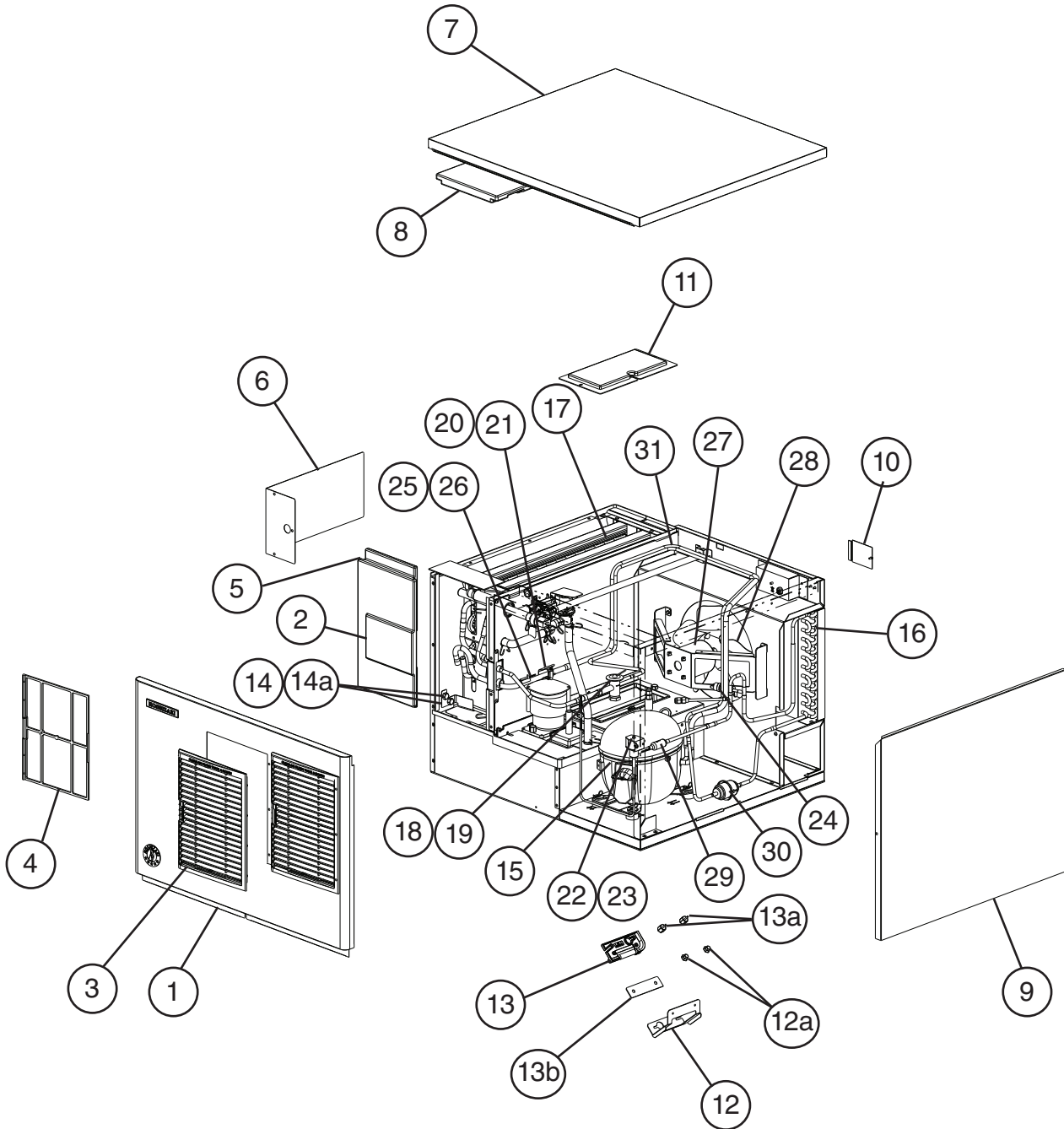
## **Auxiliary Code Breakdown**

The auxiliary code is the first two characters in the serial number. The first character indicates the year. Years progress or regress in alphabetical order. The series runs from "A" through "V" and the letters "I" and "O" are skipped. The second character indicates significant part changes within a year. Base is "0" and this number advances for each change. In cases where there is a letter in parentheses, this designates the month. This is the last character in the serial number. The series runs from "(A)" through "(M)" and the letter "(I)" is skipped. This designation is only included when identifying a parts change within an auxiliary code.

## **Note About Ordering Parts**

Most assemblies cannot be ordered as complete units; parts in the assemblies generally must be ordered separately.

**A. Main Assembly & Refrigeration Circuit**  
**KML-500MAJ**  
 F-0 to H-0

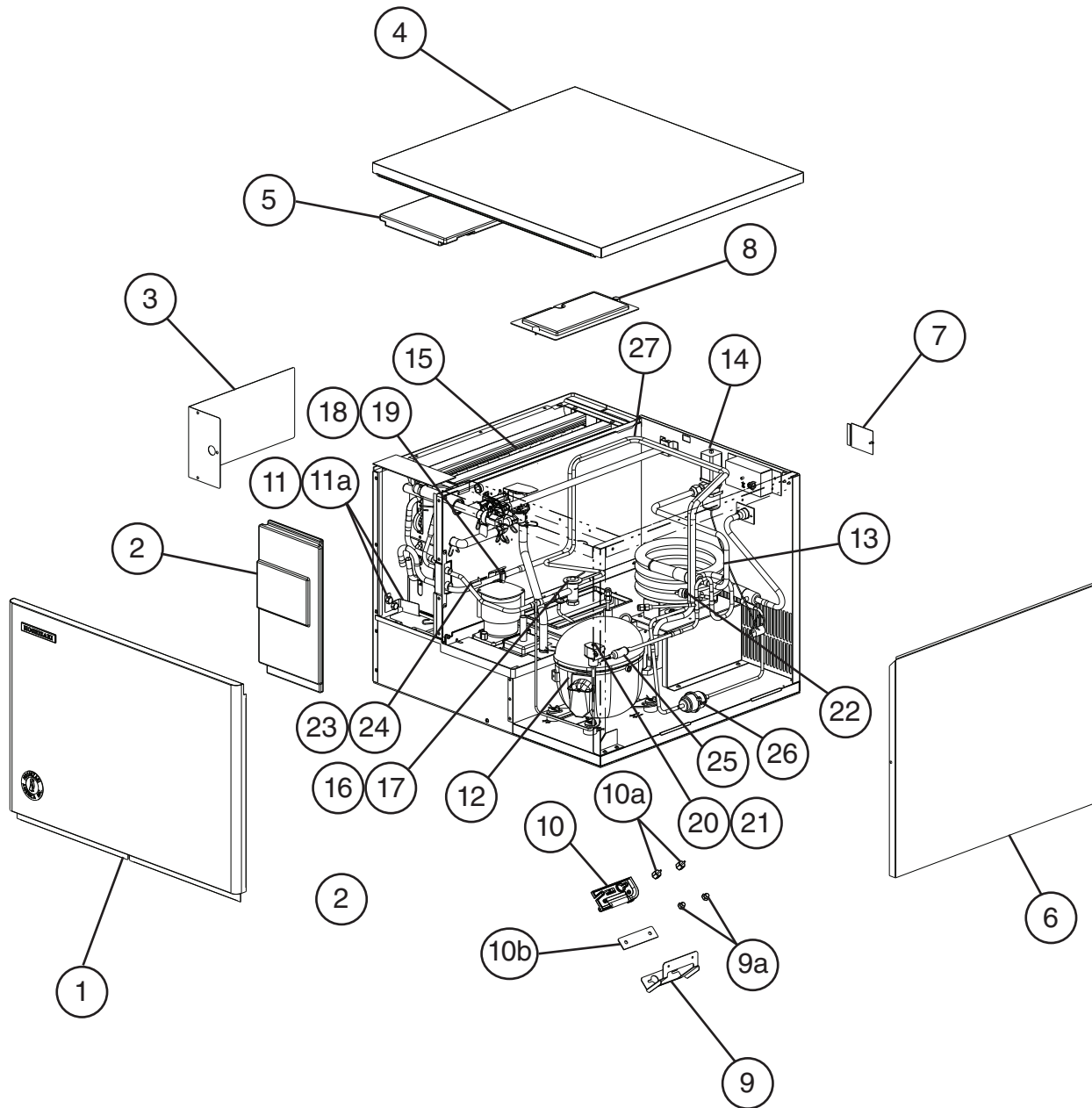


Title: A. Main Assembly & Refrigeration Circuit Model: KML-500MAJ												
Index No.	Description	Material or Model Number	Part Number	F-0 to H-0	Required Number							
<b>Main Assembly</b>												
1	Front Panel		3A1859A01	1								
2	Gasket	L=375 mm	4A0808L02	1								
3	Louver		1A0548-01	2								
4	Air Filter		2A2063G01	2								
5	Front Insulation		2A0664G01	1								
6	Control Box Cover		3A9007-01	1								
7	Top Panel		3A1862A01	1								
8	Top Insulation		215730G01	1								
9	Right Side Panel		2A2111G01	1								
10	Junction Box Cover		433410-01	1								
11	Bin Control Cover		3A0664G01	1								
12	Bin Control Extension Bracket		4A4358-01	1								
12a	Nut		438220-01	2								
13	Bin Control Bulb Holder		3A3903-01	1								
13a	Thumbscrew		415949G10	2								
13b	NSF Plate		4A4401G01	1								
14	Cube Guide Bracket		2A8838-01	1								
14a	Thumbscrew		415949608	2								
<b>Refrigeration Circuit</b>												
15	Compressor		4A4479-01	1								
16	Condenser		2A0640-01	1								
17	Evaporator		2A8120G01	1								
18	Thermostatic Expansion Valve		4A3493-01	1								
19	Thermostatic Expansion Valve Cover		4A1168-01	1								
20	Thermostatic Expansion Valve Bulb Holder		3A0112-01	1								
21	Clamp		443461-02	1								
22	Hot Gas Valve Body		4A3978-01	1								
23	Valve Coil		4A3277-01	1								
24	High-Pressure Switch		463180-04	1								
25	Thermistor		429006-03	1								
26	Thermistor Holder		427430-01	1								
27	Fan Motor		4A3158-01	1								
28	Fan Blade		4A4014-01	1								
29	Strainer		441569-02	1								
30	Drier		4A1113-01	1								
31	Heat Exchanger		2A8140G01	1								

# A. Main Assembly & Refrigeration Circuit

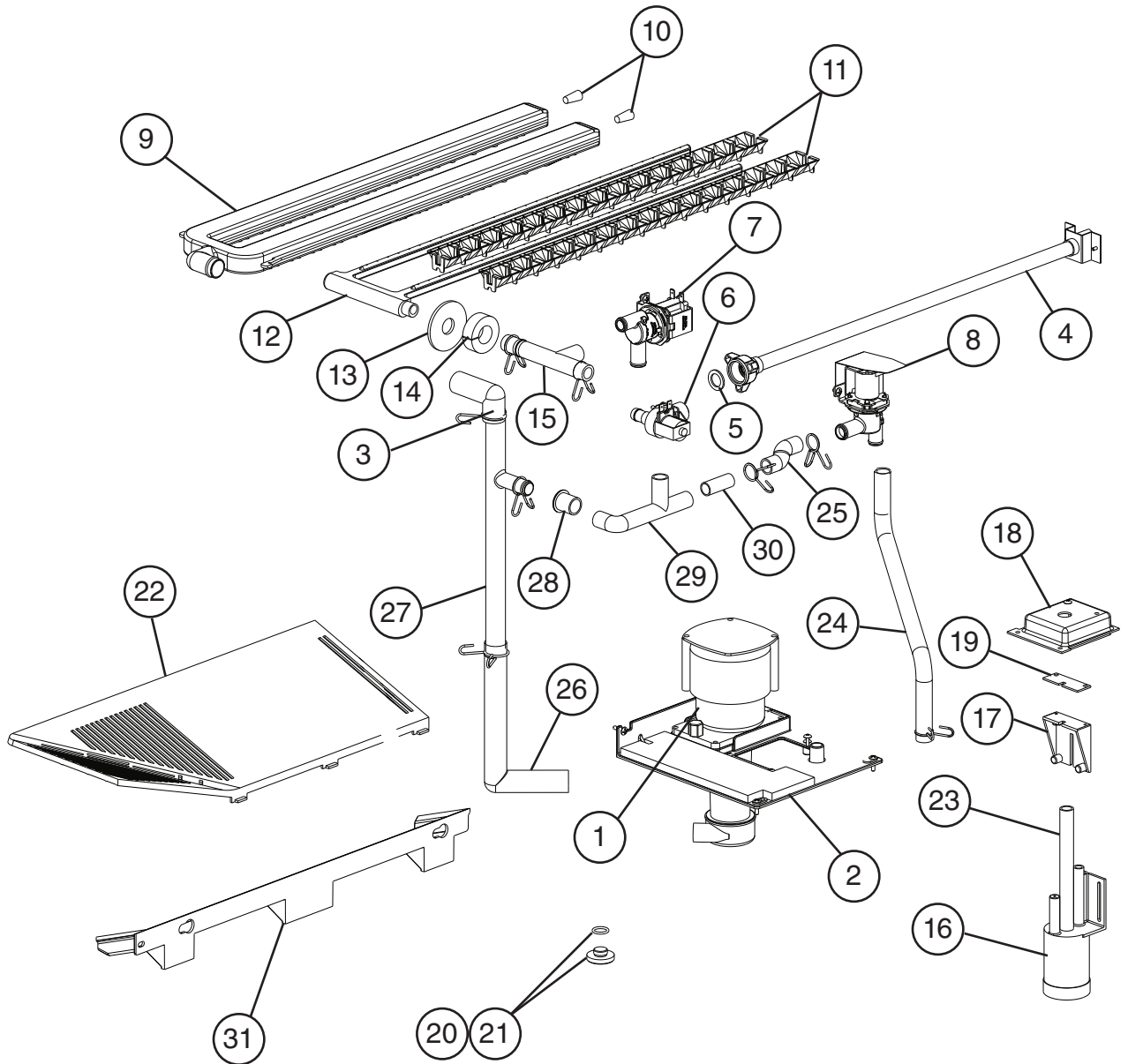
## KML-500MWJ

F-0 to H-0



Title: A. Main Assembly & Refrigeration Circuit Model: KML-500MWJ													
Index No.	Description	Material or Model Number	Part Number	Required Number									
				F-0 to H-0									
<b>Main Assembly</b>													
1	Front Panel		3A1859A02	1									
2	Front Insulation		2A0664G01	1									
3	Control Box Cover		3A9007-01	1									
4	Top Panel		3A1862A01	1									
5	Top Insulation		215730G01	1									
6	Right Side Panel		2A2111G01	1									
7	Junction Box Cover		433410-01	1									
8	Bin Control Cover		3A0664G01	1									
9	Bin Control Extension Bracket		4A4358-01	1									
9a	Nut		438220-01	2									
10	Bin Control Bulb Holder		3A3903-01	1									
10a	Thumbscrew		415949G11	2									
10b	NSF Plate		4A4401G01	1									
11	Cube Guide Bracket		2A8838-01	1									
11a	Thumbscrew		415949608	2									
<b>Refrigeration Circuit</b>													
12	Compressor		4A4376-01	1									
13	Condenser		3A7321-01	1									
14	Water Regulating Valve		4A0911-06	1									
15	Evaporator		2A8120G01	1									
16	Thermostatic Expansion Valve		4A3493-01	1									
17	Thermostatic Expansion Valve Cover		4A1168-01	1									
18	Thermostatic Expansion Valve Bulb Holder		3A0112-01	1									
19	Clamp		443461-02	1									
20	Hot Gas Valve Body		4A3978-01	1									
21	Valve Coil		4A3277-01	1									
22	High-Pressure Switch		463180-05	1									
23	Thermistor		429006-03	1									
24	Thermistor Holder		427430-01	1									
25	Strainer		441569-02	1									
26	Drier		4A1113-01	1									
27	Heat Exchanger		2A8140G01	1									

**B. Water Circuit**  
**KML-500M\_J**  
F-0 to H-0

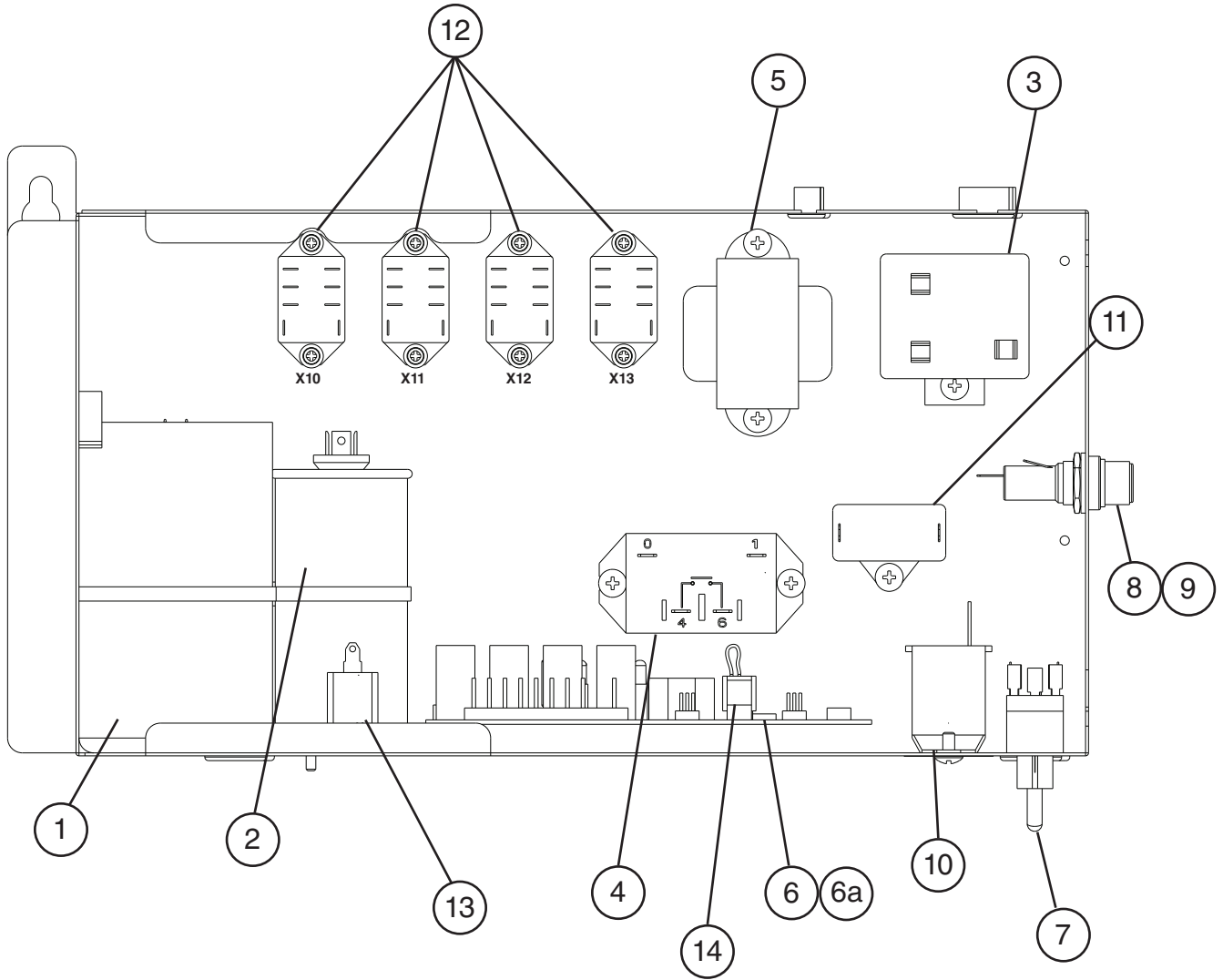




**Title: B. Water Circuit Model: KML-500M\_J**

Index No.	Description	Material or Model Number	Part Number	F-0 to H-0	Required Number								
1	Pump Motor		4A4259-01	1									
2	Pump Motor Bracket		2A4920G01	1									
3	Elbow		4A0393-01	1									
4	Water Supply Pipe		4A0768G04	1									
5	Rubber Gasket		413854-03	1									
6	Inlet Water Valve		4A5251-06	1									
7	Cleaning Valve		4A5745-01	1									
8	Drain Valve		4A5745-03	1									
9	Spray Tube		1A0260-02	1									
10	Plug		4A0176-01	2									
11	Spray Guide		2A4282-02	1									
12	Water Supply Tube		2A0079-01	1									
13	Flange		439267-01	1									
14	Insulation E		4A0392-01	1									
15	Water Supply Tee		4A1006-01	1									
16	Float Switch		4A3624-01	1									
17	Float Switch Bracket		327757-01	1									
18	Float Switch Cover		3A0665-01	1									
19	Float Switch Spacer		4A5888-01	1									
20	Drain Plug		309246-01	1									
21	O-Ring		7611-P015	1									
22	Cube Guide		2A0660-01	1									
23	Vinyl Hose	L=150 mm	7716-1216	1									
24	Vinyl Hose	L=385 mm	7716-1519	1									
25	Vinyl Hose	L=55 mm	7716-1519	1									
26	Hose B		325867-01	1									
27	Connecting Pipe		3A1335-01	1									
28	Rubber Ring		4A1004-01	1									
29	Bypass Hose		4A1005-01	1									
30	Joint Pipe		439329-01	1									
31	Cube Guide B		3A9028-01	1									
	Hose Clamp	25 mm	427443-03	4									
	Hose Clamp	18 mm	427443-05	7									
	Hose Clamp	19 mm	4A2017-05	1									
	Hose Clamp	20 mm	427443-06	1									

**C. Control Box Assembly**  
**KML-500M\_J**  
F-0 to H-0

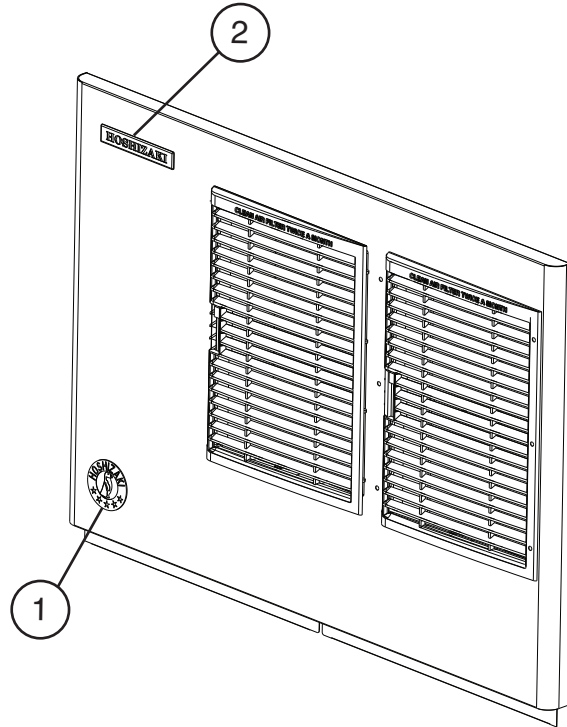


Title: C. Control Box Assembly Model: KML-500M_J											
Index No.	Description	Material or Model Number	Part Number	Required Number							
				F-0 to H-0							
1	Start Capacitor	243-292MFD, 165VAC	3A0076-20	1							
2	Run Capacitor	35MFD, 440VAC	3A2005-12	1							
3	Start Relay		4A1107-11	1							
4	Compressor Relay		4A3140-01	1							
5	Control Transformer		3A0172-01	1							
6	Control Board		2A7664-04	1							
6a	Control Board Support		4A0336-03	4							
7	Control Switch		443119-01	1							
8	Fuse Holder		4A5443-01	1							
9	Fuse	AGC-10A, 250VAC	4A0893-07	1							
10	Bin Control Thermostat		4A2879-01	1							
11	Fan Motor Capacitor	<b>KML-500MAJ</b> 5.0MFD, 250VAC	443192-02	1							
12	Relay X10 - Control Relay X11 - Inlet Water Valve Relay X12 - Anti-Slush Relay X13 - Service Relay		406132-07	4							
13	Pump Motor Capacitor	2.5MFD, 250VAC	4A2128-05	1							
14	K-4 Jumper		4A4883G01	1							

## D. Accessories & Labels

### KML-500M\_J

F-0 to H-0



Title: D. Accessories & Labels    Model: KML-500M_J					Required Number								
Index No.	Description	Material or Model Number	Part Number	F-0 to H-0									
1	Hoshizaki Emblem		4A0560-01	1									
2	Penguin Label		47552L02	1									
3	Universal Brace	GS	4A0363-01	2									
3a	Hex Head Bolt	5×12, SS	7B02-0512	2									