



# HOSHIZAKI

## Parts List

Low-Profile Modular Crescent Cuber  
Models

KML-600MAH

KML-600MWH

KML-600MRH



[hoshizakiamerica.com](http://hoshizakiamerica.com)

Number: 71190  
Issued: 8-20-2001  
Revised: 9-5-2017

## CONTENTS

Auxiliary Codes.....	3
Note About Ordering Parts .....	3
A. Main Assembly & Refrigeration Circuit .....	4
KML-600MAH.....	4
KML-600MWH.....	6
KML-600MRH.....	8
B. Water Circuit .....	10
C. Control Box Assembly .....	12
D. Accessories & Labels .....	15

## Auxiliary Codes

### KML-600MAH

L-0 June 2001  
L-1 August 2001  
M-0 January 2002  
M-1 March 2002  
M-2 August 2002  
N-0 December 2002  
N-1 March 2003  
P-0 December 2003  
P-1 June 2004  
Q-0 December 2004  
R-0 December 2005  
S-1 January 2007

### KML-600MRH

L-0 June 2001  
L-1 August 2001  
M-0 December 2001  
M-1 March 2002  
M-2 June 2002  
N-0 February 2003  
N-1 March 2003  
P-0 December 2003  
Q-0 December 2004  
R-0 December 2005  
S-0 January 2007  
S-1 March 2007

### KML-600MWH

L-0 April 2001  
L-1 October 2001  
M-0 March 2002  
M-1 May 2002  
M-2 June 2002  
N-0 January 2003  
N-1 March 2003  
P-0 December 2003  
Q-0 December 2004  
R-0 December 2005  
S-1 January 2007

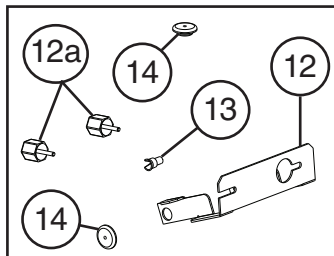
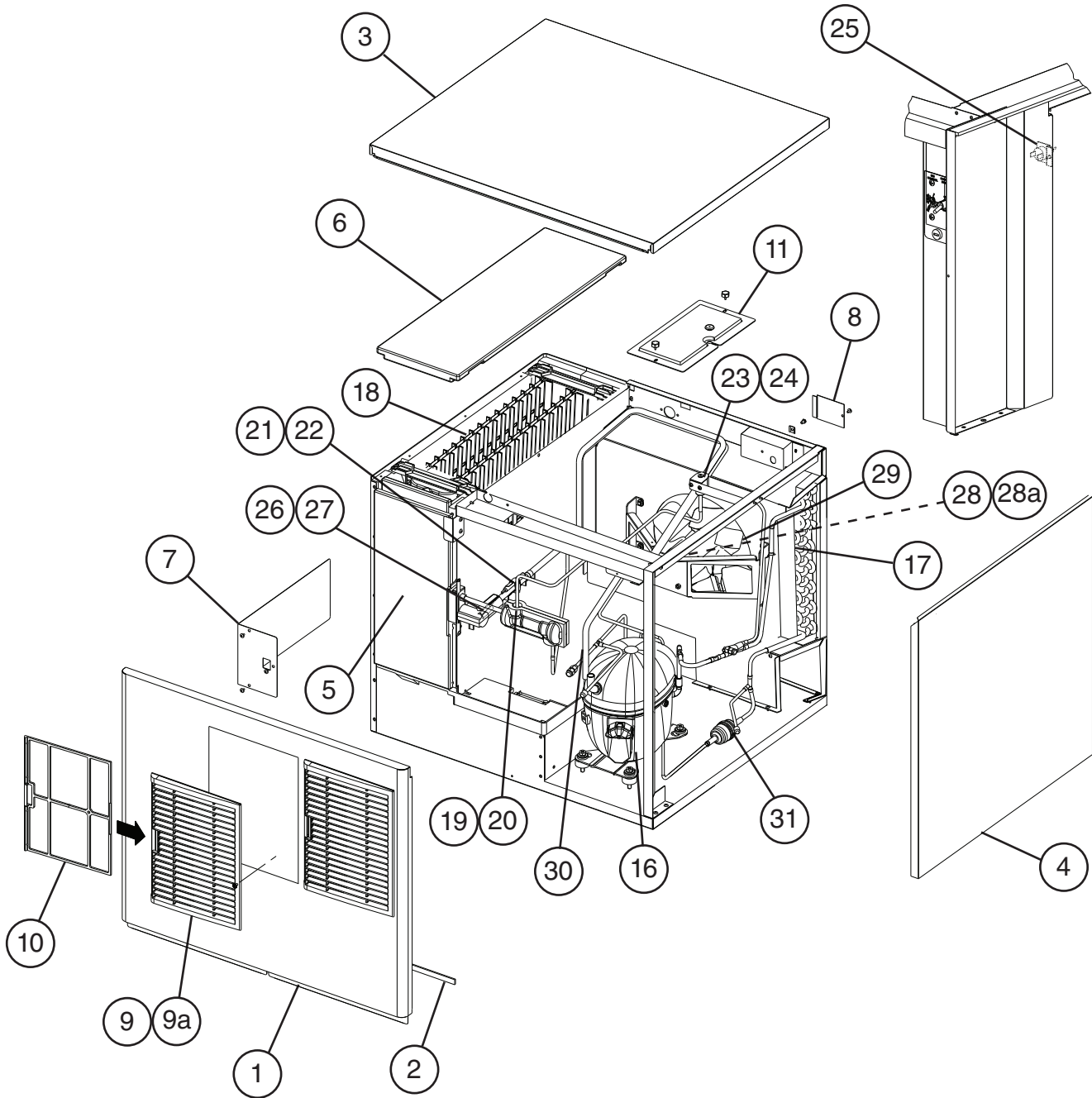
## Auxiliary Code Breakdown

The auxiliary code is the first two characters in the serial number. The first character indicates the year. Years progress or regress in alphabetical order. The series runs from "A" through "V" and the letters "I" and "O" are skipped. The second character indicates significant part changes within a year. Base is "0" and this number advances for each change. In cases where there is a letter in parentheses, this designates the month. This is the last character in the serial number. The series runs from "(A)" through "(M)" and the letter "(I)" is skipped. This designation is only included when identifying a parts change within an auxiliary code.

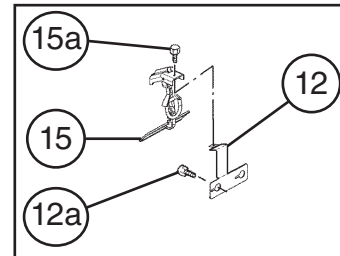
## Note About Ordering Parts

Most assemblies cannot be ordered as complete units; parts in the assemblies generally must be ordered separately.

**A. Main Assembly & Refrigeration Circuit**  
**KML-600MAH**  
 L-0 to S-1



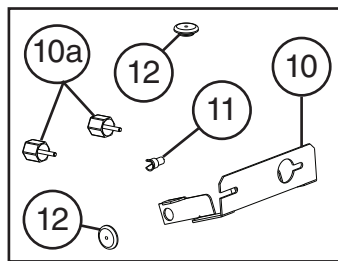
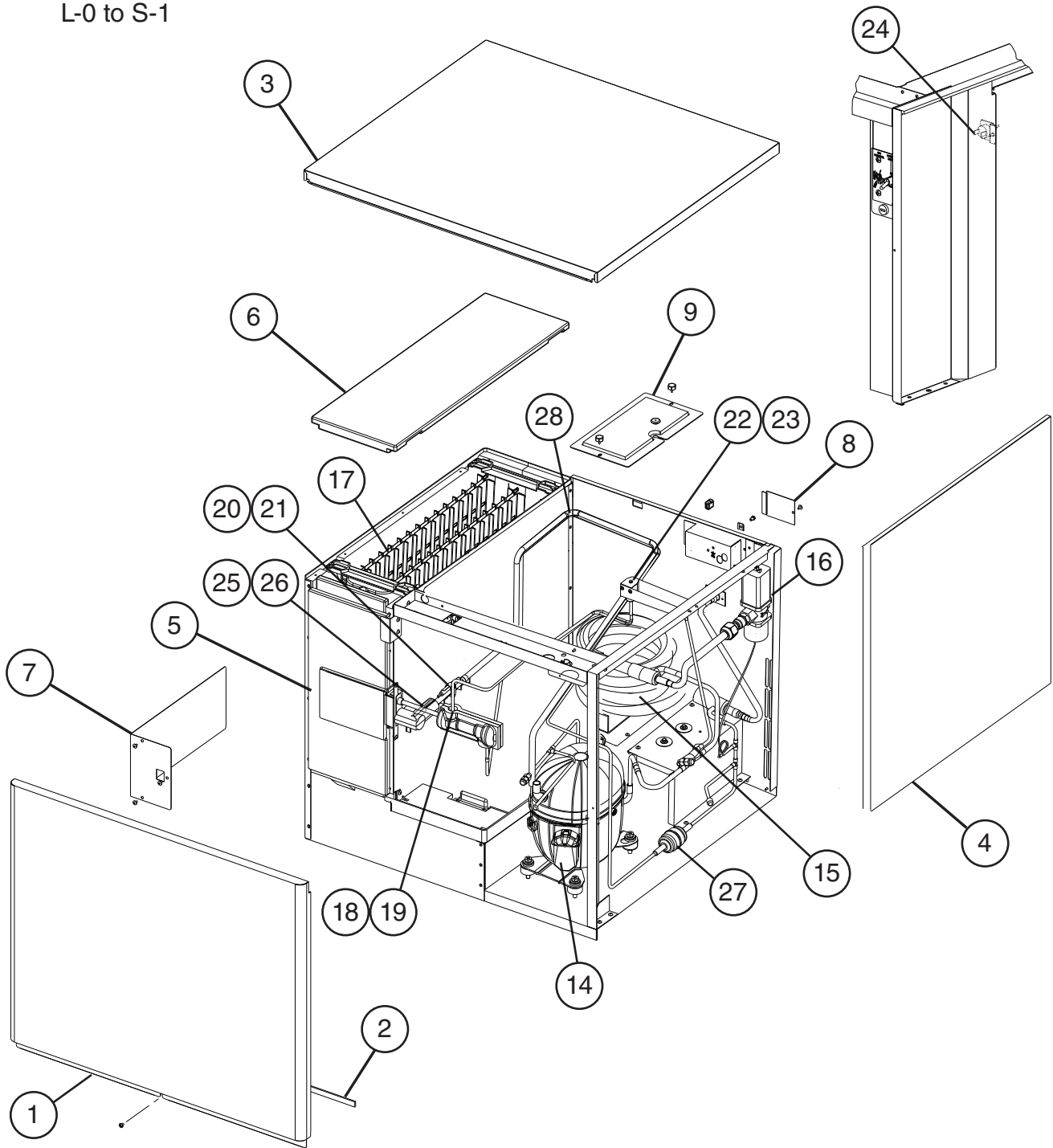
L-0, M-2 and Later



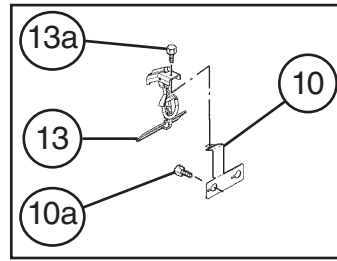
L-1 to M-1

Title: A. Main Assembly & Refrigeration Circuit Model: KML-600MAH											
Index No.	Description	Material or Model Number	Part Number	Required Number							
				L-0	L-1 to M-1	M-2 to S-1					
<b>Main Assembly</b>											
1	Front Panel		3A1860A01	1	1	1					
2	Gasket	L=762 mm	4A0808L02	1	1	1					
3	Top Panel		3A1862A01	1	1	1					
4	Right Side Panel		2A2114G01	1	1	1					
5	Front Insulation		2A0664G02	1	1	1					
6	Top Insulation		215730G01	1	1	1					
7	Control Box Cover		3A2371-01	1	1	1					
8	Junction Box Cover		433410-01	1	1	1					
9	Louver		1A0548-01	2	2	2					
9a	Push Retainer		4A2414-01	6	6	6					
10	Air Filter		2A2063G01	2	2	2					
11	Bin Control Cover		3A0664G01	1	1	1					
12	Bin Control Thermostat Bulb Holder/Extension Bracket		4A1722-01	1	-	1					
	Mechanical Bin Switch Bracket (L)		3A1433-01		1	-					
12a	Thumbscrew		415949G03	2	-	2					
			415949G09		2	-					
13	Thermostat Spacer		443545-01	1	-	1					
14	Capillary Ring		425307-01	2	1	1					
15	Mechanical Bin Switch		4A2340-01		1	-					
15a	Thumbscrew		4H3270G02		1	-					
<b>Refrigeration Circuit</b>											
16	Compressor		SA0142	1	1	1					
17	Condenser		1A0261-01	1	1	1					
18	Evaporator		104167G01	1	1	1					
19	Thermostatic Expansion Valve		4A1482-01	1	1	1					
20	Thermostatic Expansion Valve Cover		3A0944-01	1	1	1					
21	Thermostatic Expansion Valve Bulb Holder		3A0107-01	1	1	1					
22	Clamp		443461-02	1	1	1					
23	Hot Gas Valve Body		4A0352-01	1	1	1					
24	Valve Coil		4A0353-01	1	1	1					
25	High-Pressure Switch		433441-07	1	1	1					
26	Thermistor		429006-03	1	1	1					
27	Thermistor Holder		427430-01	1	1	1					
28	Fan Motor		FM116A	1	1	1					
28a	Self-Locking Nut		7N2110832	1	1	1					
29	Fan Blade		444898-01	1	1	1					
			1A0256G01	1	1	-					
30	Heat Exchanger		1A0256G02			1					
			4A2666-01	1	1	1					
31	Drier		4A2666-01	1	1	1					

**A. Main Assembly & Refrigeration Circuit**  
**KML-600MWH**  
 L-0 to S-1



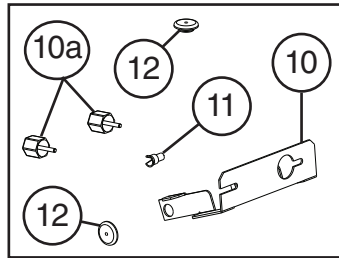
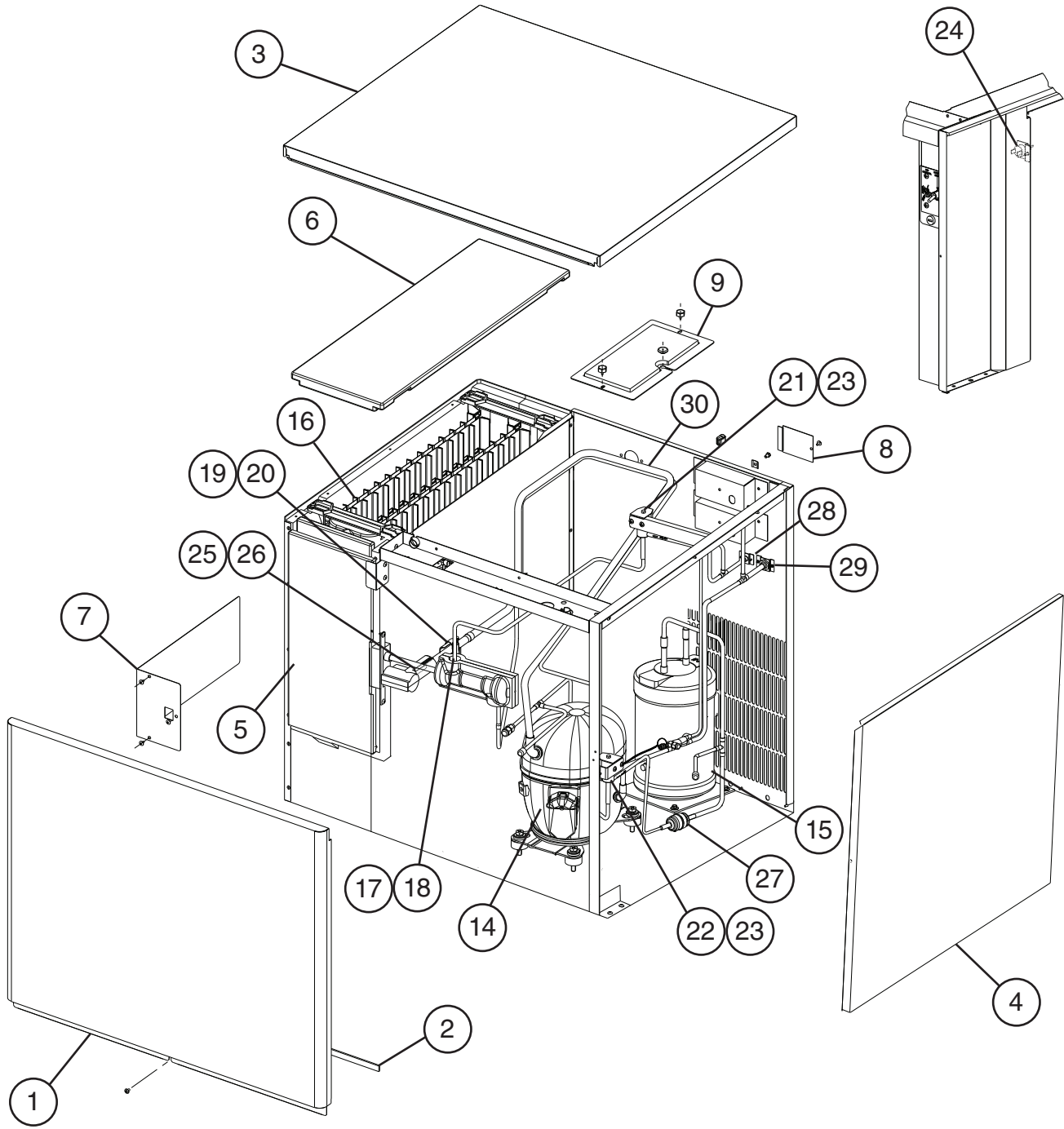
L-0, M-2 and Later



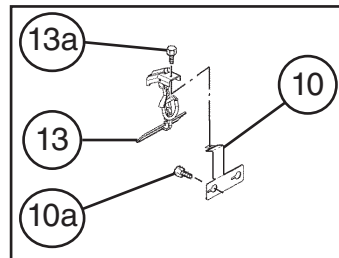
L-1 to M-1

Title: A. Main Assembly & Refrigeration Circuit Model: KML-600MWH												
Index No.	Description	Material or Model Number	Part Number	Required Number								
				L-0	L-1 to M-0	M-1	M-2 to S-1					
<b>Main Assembly</b>												
1	Front Panel		3A1862A02	1	1	1	1					
2	Gasket	L=762 mm	4A0808L02	1	1	1	1					
3	Top Panel		3A1862A01	1	1	1	1					
4	Right Side Panel		2A2114G01	1	1	1	1					
5	Front Insulation		2A0664G02	1	1	1	1					
6	Top Insulation		215730G01	1	1	1	1					
7	Control Box Cover		3A2371-01	1	1	1	1					
8	Junction Box Cover		433410-01	1	1	1	1					
9	Bin Control Cover		3A0664G01	1	1	1	1					
10	Bin Control Thermostat Bulb Holder/Extension Bracket		4A1722-01	1	-		1					
	Mechanical Bin Switch Bracket (L)		3A1433-01		1	1	-					
10a	Thumbscrew		415949G9	2	2	1	-					
			415949G11				2					
11	Thermostatic Spacer		443545-01	1	-		1					
12	Bin Control Bulb Holder		3A3903-01		1	1	1					
13	Mechanical Bin Switch		4A2340-01		1	1	-					
13a	Thumbscrew		4H3270G02		1	1	-					
<b>Refrigeration Circuit</b>												
14	Compressor		SA0142	1	1	1	1					
15	Condenser	HS-0172	2A2359G03	1	1	1	1					
16	Water Regulating Valve		4A0911-03	1	1	1	-					
			4A0911-06				1					
17	Evaporator		106492G01	1	1	1	1					
18	Thermostatic Expansion Valve		4A1482-01	1	1	1	1					
19	Thermostatic Expansion Valve Cover		3A0944-01	1	1	1	1					
20	Thermostatic Expansion Valve Bulb Holder		3A0107-01	1	1	1	1					
21	Clamp		443461-02	1	1	1	1					
22	Hot Gas Valve Body		440352-01	1	1	1	1					
23	Valve Coil		440353-01	1	1	1	1					
24	High-Pressure Switch		433441-05	1	1	1	1					
25	Thermistor		429006-03	1	1	1	1					
26	Thermistor Holder		427430-01	1	1	1	1					
27	Drier		4A2666-01	1	1	1	1					
28	Heat Exchanger		1A0256G02	1	1	1	1					

**A. Main Assembly & Refrigeration Circuit**  
**KML-600MRH**  
 L-0 to S-1



L-0, M-2 and Later

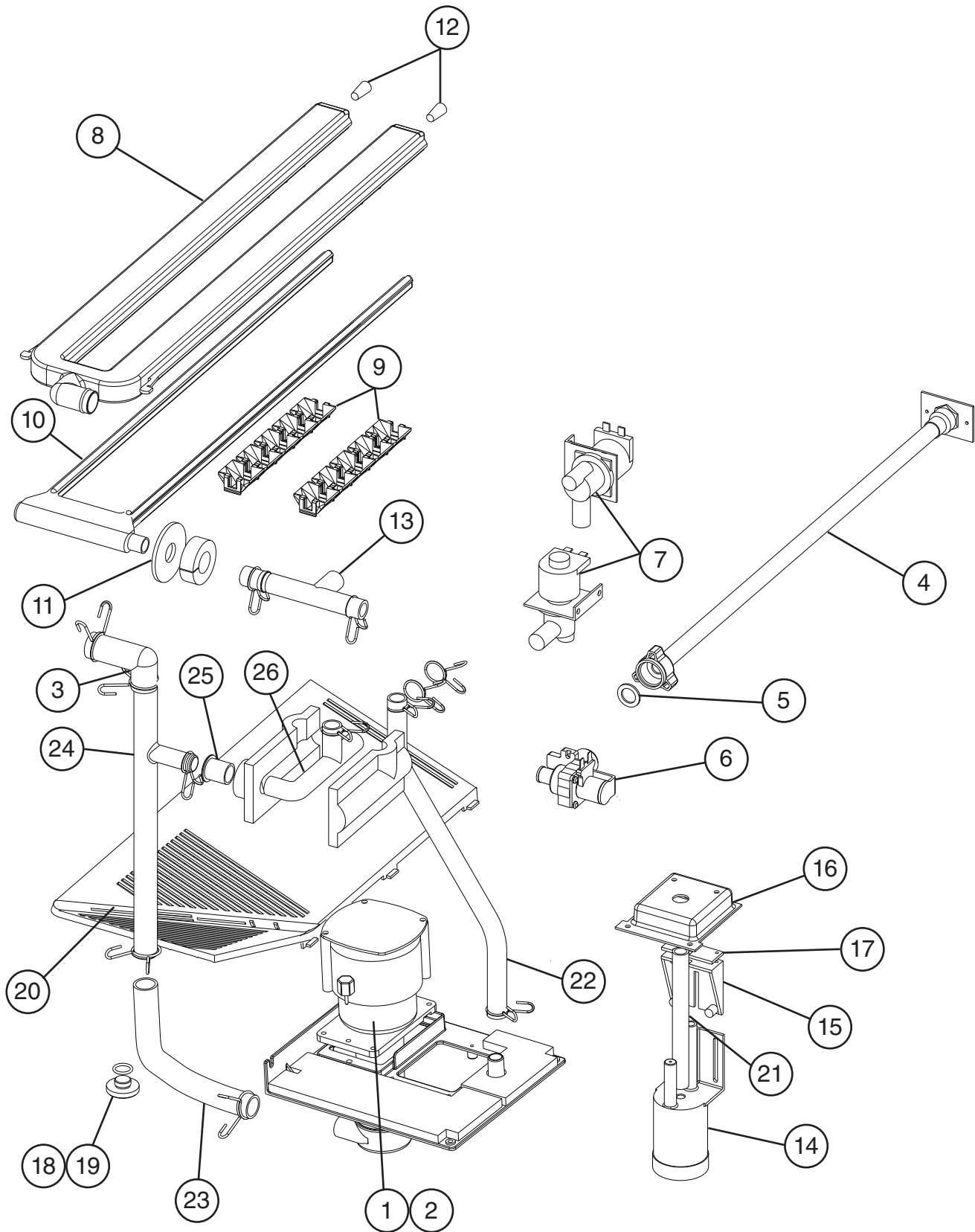


L-1 to M-1



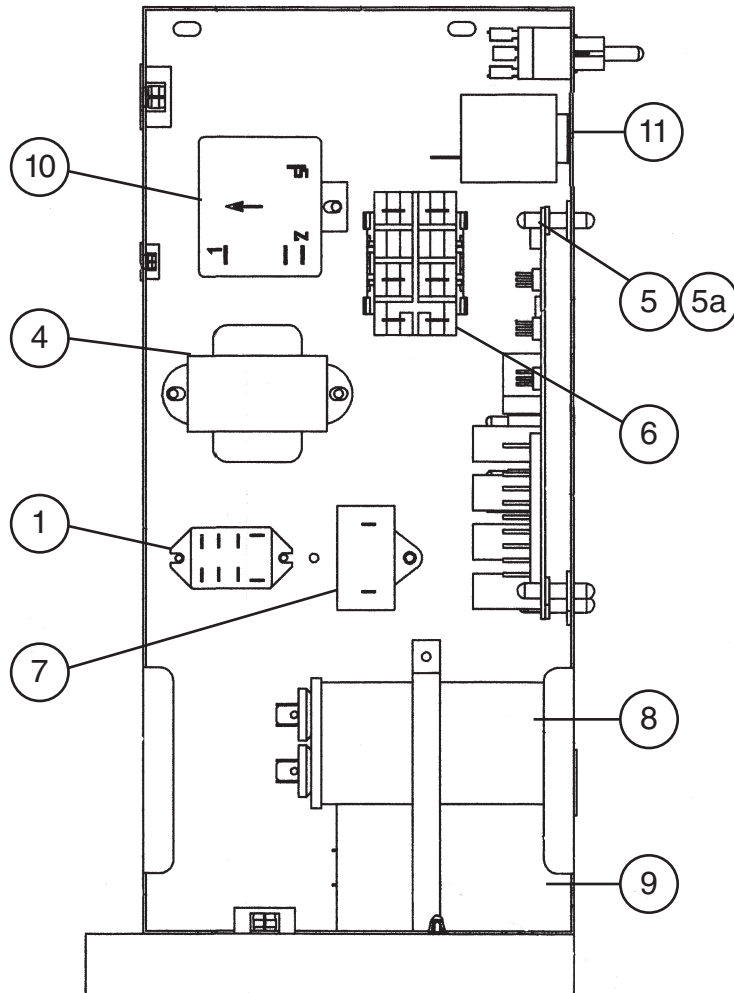
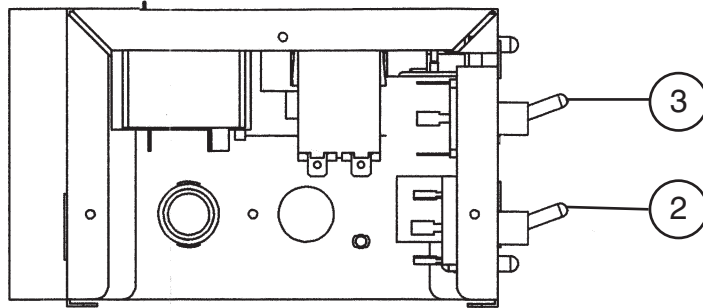
Title: A. Main Assembly & Refrigeration Circuit Model: KML-600MRH												
Index No.	Description	Material or Model Number	Part Number	Required Number								
				L-0	L-1 to M-1	M-2 to S-1						
<b>Main Assembly</b>												
1	Front Panel		3A1860A02	1	1	1						
2	Gasket	L=762 mm	4A0808L02	1	1	1						
3	Top Panel		3A1862A01	1	1	1						
4	Right Side Panel		2A2114G01	1	1	1						
5	Front Insulation		2A0664G02	1	1	1						
6	Top Insulation		215730G01	1	1	1						
7	Control Box Cover		3A2371-01	1	1	1						
8	Junction Box Cover		433410-01	2	2	2						
9	Bin Control Cover		3A0664G01	1	1	1						
10	Bin Control Thermostat Bulb Holder/Extension Bracket		4A1722-01	1	-	1						
	Mechanical Bin Switch Bracket (L)		3A1433-01		1	-						
10a	Thumbscrew		415949G9	2	2	-						
			415949G11			2						
11	Thermostatic Spacer		443545-01	1	-	1						
12	Bin Control Bulb Holder		3A3903-01	1	-	1						
12a	Thumbscrew		415949G11	2	2	2						
13	Mechanical Bin Switch		4A2340-01		1	-						
13a	Thumbscrew		4H3270G02		1	-						
<b>Refrigeration Circuit</b>												
14	Compressor		SA0142	1	1	1						
15	Receiver		437652-01	1	1	1						
16	Evaporator		106492G01	1	1	1						
17	Thermostatic Expansion Valve		4A1482-01	1	1	1						
18	Thermostatic Expansion Valve Cover		3A0944-01	1	1	1						
19	Thermostatic Expansion Valve Bulb Holder		3A0107-01	1	1	1						
20	Clamp		443461-02	1	1	1						
21	Hot Gas Valve Body		440352-01	1	1	1						
22	Liquid Line Valve Body		440352-01	1	1	1						
23	Valve Coil		440353-01	2	2	2						
24	High-Pressure Switch		433441-07	1	1	1						
25	Thermistor		429006-03	1	1	1						
26	Thermistor Holder		427430-01	1	1	1						
27	Drier		4A2666-01	1	1	1						
28	Liquid Line Coupling		433751G01	1	1	1						
29	Discharge Line Coupling		434136G01	1	1	1						
30	Heat Exchanger		1A0257G01	1	1	1						

**B. Water Circuit**  
**KML-600M\_H**  
 L-0 to S-1



Title: B. Water Circuit Model: KML-600M_H												
Index No.	Description	Material or Model Number	Part Number	L-0 to S-1	Required Number							
1	Pump Motor		2A0749-01	1								
2	Wellnut		4A1070-01	1								
3	Elbow		4A0393-01	1								
4	Water Supply Pipe		4A0768G04	1								
5	Rubber Gasket		413854-03	1								
6	Inlet Water Valve		3U0111-03	1								
7	Solenoid (Drain Valve and Cleaning Valve)		439322-01	2								
8	Spray Tube		1A0260-02	1								
9	Spray Guide		208586-01	6								
10	Water Supply Tube		2A0079-01	1								
11	Flange		439267-01	1								
12	Plug		4A0176-01	2								
13	Water Supply Tee		4A1006-01	1								
14	Float Switch		4A0886-01	1								
15	Float Switch Bracket		327757-01	1								
16	Float Switch Cover		3A0665-01	1								
17	Float Switch Spacer		4A0650-01	1								
18	Drain Plug		309246-01	1								
19	O-Ring		7611-P015	1								
20	Cube Guide		2A0660-01	1								
21	Vinyl Hose	L=150 mm	7716-1216	1								
22	Vinyl Hose	L=370 mm	7716-1519	1								
23	Pump Hose		4A1007-01	1								
24	Connecting Pipe		3A1335-02	1								
25	Rubber Ring		4A1004-01	1								
26	Bypass Hose		4A1005-01	1								
	Hose Clamp	25 mm	427443-03	3								
	Hose Clamp	18 mm	427443-05	5								
	Hose Clamp	27 mm	427443-08	1								
	Hose Clamp	20 mm	427443-06	3								

**C. Control Box Assembly**  
**KML-600M\_H**  
**1/2**  
L-0, M-2 to S-1

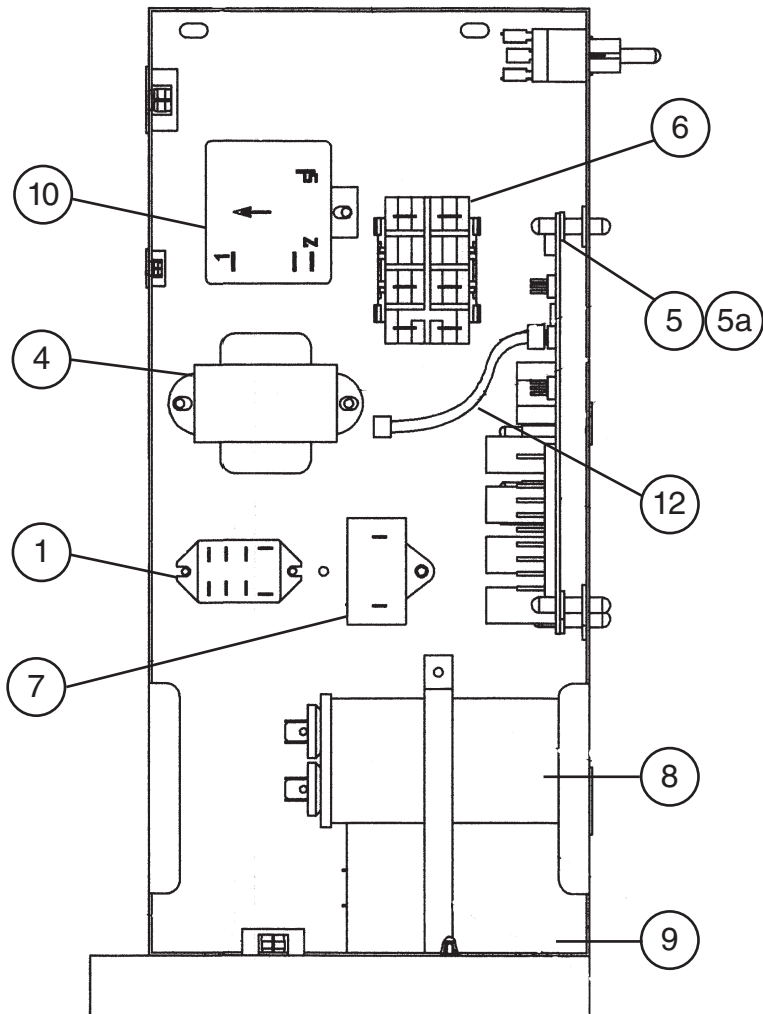
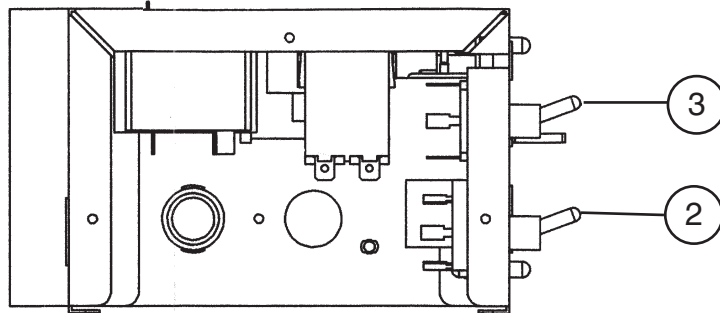


# C. Control Box Assembly

KML-600M\_H

2/2

L-1 to M-1



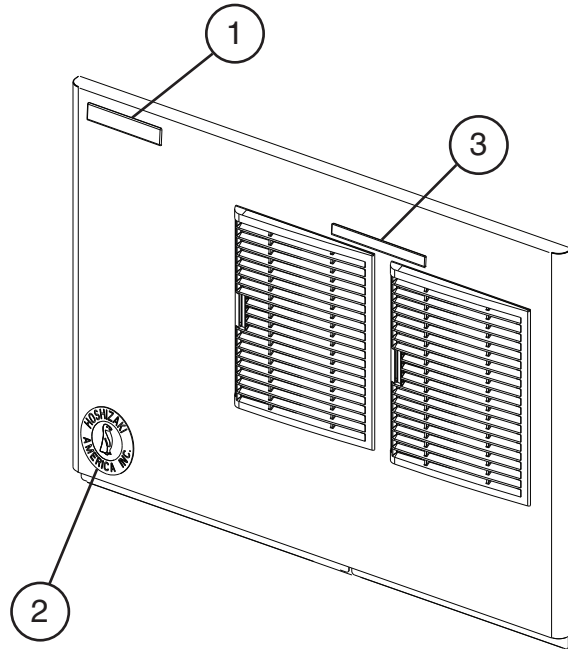
**Title: C. Control Box Assembly    Model: KML-600M\_H**

Index No.	Description	Material or Model Number	Part Number	Required Number									
				L-0	L-1 to M-1	M-2 to S-1							
1	Relay	<b>KML-600MAH</b> 120VAC	<a href="#">406132-07</a>	1	1	1							
2	Control Switch		<a href="#">443119-01</a>	1	1	1							
3	Service Switch		<a href="#">4A0985-01</a>	1	1	1							
4	Control Transformer		<a href="#">3A0172-01</a>	1	1	1							
5	Control Board		<a href="#">2A1410-01</a>	1	1	1							
5a	Control Board Support		<a href="#">4A0336-03</a>	4	4	4							
6	Magnetic Contactor		<a href="#">428393-01</a>	1	1	1							
7	Fan Motor Capacitor	<b>KML-600MAH</b> 5MFD, 250VAC	<a href="#">443192-02</a>	1	1	1							
8	Run Capacitor	30MFD, 370VAC	<a href="#">4A1631-02</a>	1	-								
			<a href="#">3A2005-03</a>		1	1							
9	Starting Capacitor	145-174MFD, 22VAC	<a href="#">3A0076-11</a>	1	1	1							
10	Start Relay		<a href="#">4A1107-13</a>	1	1	1							
11	Bin Control Thermostat		<a href="#">4A0824-01</a>	1	-	1							
12	Resistor Wire Harness		<a href="#">4A2200G02</a>		1	-							

## D. Accessories & Labels

### KML-600M\_H

L-0 to S-1



Title: D. Accessories & Labels    Model: KML-600M_H											
Index No.	Description	Material or Model Number	Part Number	L-0 to S-1	Required Number						
1	Hoshizaki Emblem		<a href="#">4A0560-01</a>	1							
2	Penguin Label		<a href="#">4A0526-01</a>	1							
3	Air Filter	<b>KML-600MAH</b>	<a href="#">426177-01</a>	1							
4	Universal Brace		<a href="#">4A0363-01</a>	2							
4a	Hex Head Bolt	5x12, SS	<a href="#">7B02-0512</a>	2							