

# Hoshizaki America, Inc.

## Low-Profile Modular Crescent Cuber

### Models

KML-35 IMAH

KML-35 IMWH



“A Superior Degree  
of Reliability”

[www.hoshizaki.com](http://www.hoshizaki.com)

## PARTS LIST



Number: 71267  
Issued: 5-9-2008  
Revised: 10-13-2014

## CONTENTS

Auxiliary Codes.....	3
Note About Ordering Parts .....	3
A. Ice Cuber Assembly and Refrigeration Circuit.....	4
KML-351MAH.....	4
KML-351MWH.....	7
B. Water Circuit.....	10
C. Control Box Assembly .....	12
D. Accessories & Labels .....	14

## Auxiliary Codes

<b>KML-351MAH</b>	S-0	March 2007
	T-1	June 2008
	U-0	January 2009
	U-1	July 2009
	U-2	September 2009
	V-0	January 2010
	V-1	April 2010
	A-0	February 2011
	A-1	September 2011
	B-0	January 2012
	C-0	January 2013
D-0	January 2014	

<b>KML-351MWH</b>	S-0	March 2007
	T-0	April 2008
	U-0	January 2009
	U-1	July 2009
	V-0	January 2010
	V-1	April 2010
	A-0	January 2011
	A-1	September 2011
	B-0	January 2012
	C-0	January 2013
	C-1	April 2013
	C-2	June 2013
	D-0	January 2014

## Auxiliary Code Breakdown

The auxiliary code is the first two characters in the serial number. The first character indicates the year. Years progress or regress in alphabetical order. The series runs from "A" through "V" and the letters "I" and "O" are skipped. The second character indicates significant part changes within a year. Base is "0" and this number advances for each change. In cases where there is a letter in parentheses, this designates the month. This is the last character in the serial number. The series runs from "(A)" through "(M)" and the letter "(I)" is skipped. This designation is only included when identifying a parts change within an auxiliary code.

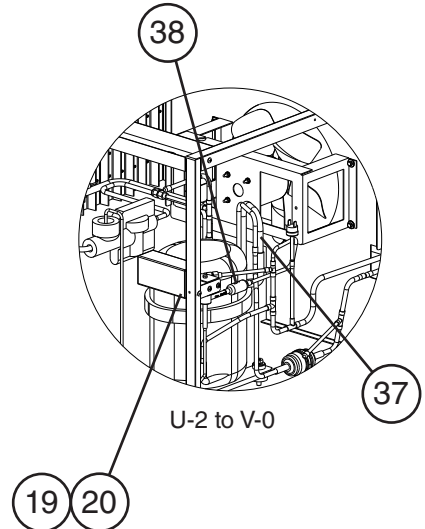
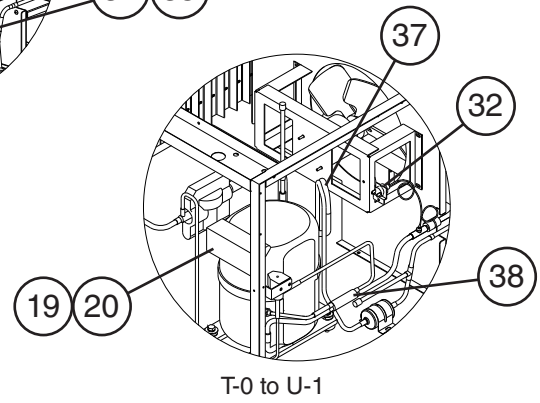
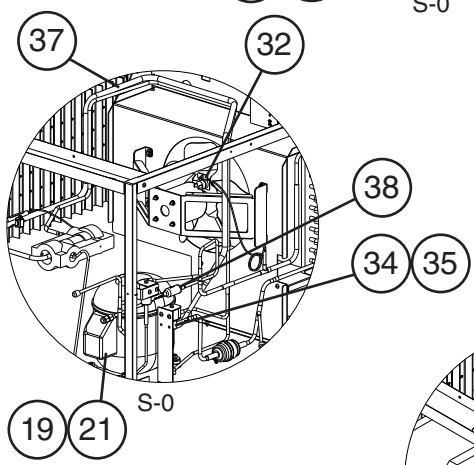
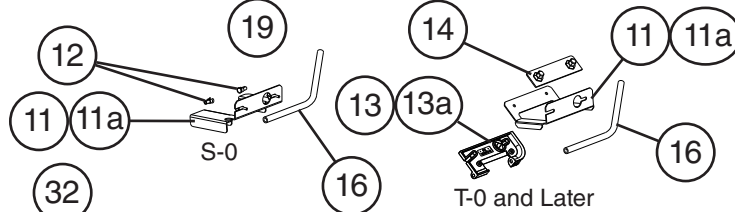
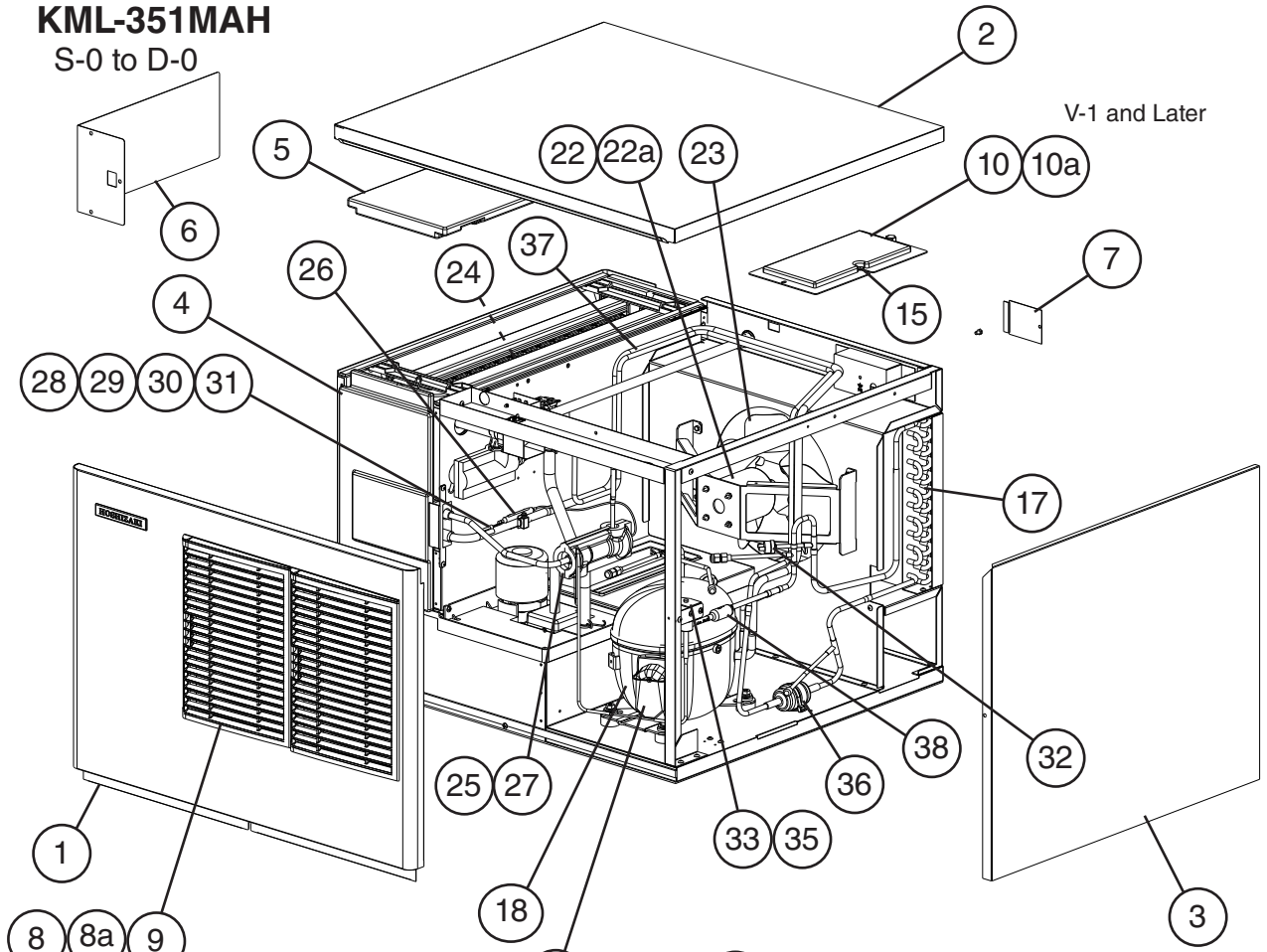
## Note About Ordering Parts

Most assemblies cannot be ordered as complete units; parts in the assemblies generally must be ordered separately.

# A. Ice Cuber Assembly and Refrigeration Circuit

## KML-351MAH

S-0 to D-0



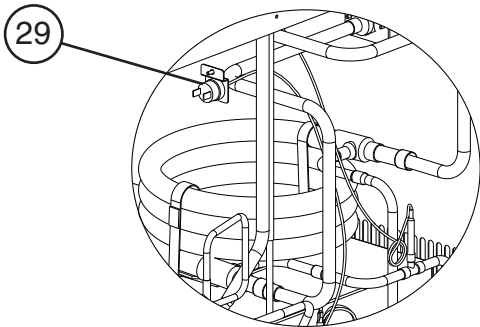
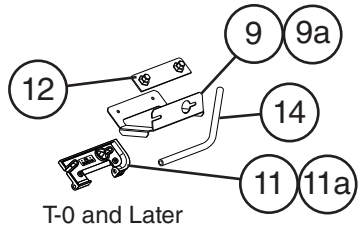
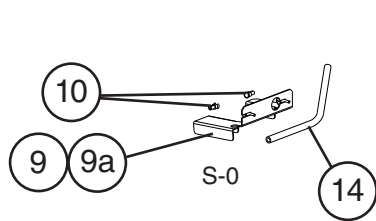
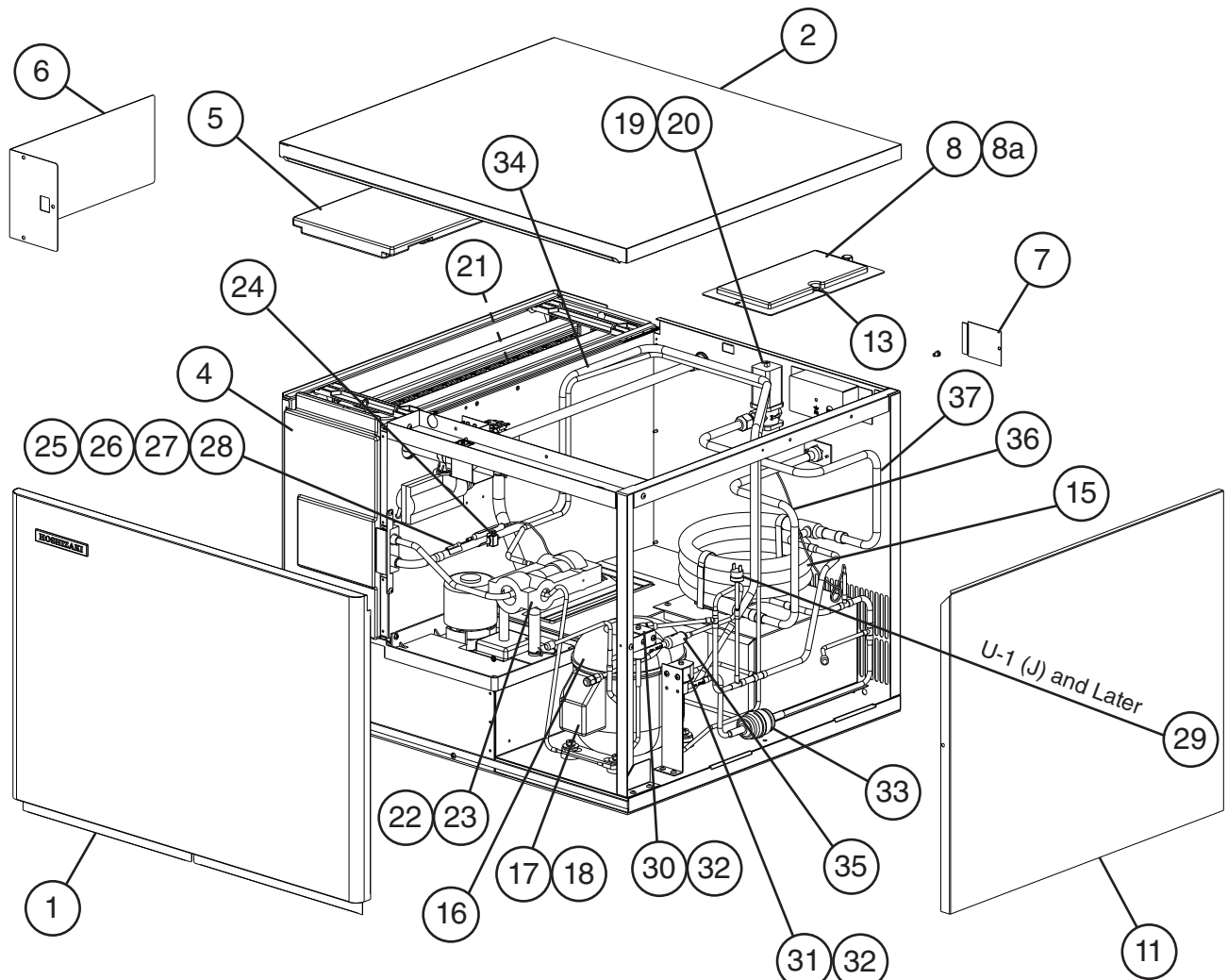
Title: A. Main Assembly and Refrigeration Circuit Model: KML-351MAH													
Index No.	Description	Material or Model Number	Part Number	Required Number									
				S-0	T-1 to U-0	U-1	U-2 to V-0	V-1 to D-0					
<b>Main Assembly</b>													
1	Front Panel		3A1859A01	1	1	1	1	1					
2	Top Panel		3A1862A01	1	1	1	1	1					
3	Right Side Panel		2A2111G01	1	1	1	1	1					
4	Front Insulation		2A0664G01	1	1	1	1	-					
			2A4540A01					1					
5	Top Insulation		215730G01	1	1	1	1	1					
6	Control Box Cover		3A2371-01	1	1	1	1	1					
7	Junction Box Cover		433410-01	1	1	1	1	1					
8	Louver		1A0548-01	2	2	2	2	2					
8a	Push Retainer		4A2414-01	6	6	6	6	6					
9	Air Filter		2A2063G01	2	2	2	2	2					
10	Bin Control Cover		3A0664G01	1	1	1	1	1					
10a	Thumbscrew		415949G08	2	2	2	2	2					
11	Bin Control Thermostat Extension Bracket		4A3436-01	1	-								
			4A4358-01		1	1	1	1					
11a	Thumbscrew		415949G10	2	2	2	2	2					
12	Spacer		443545-01	2	-								
13	Bin Control Bulb Holder		3A3903-01		1	1	1	1					
13a	Thumbscrew		415949G11		2	2	2	2					
14	NSF Plate		4A4401G01		1	1	1	1					
15	Capillary Ring		425307-01	1	1	1	1	1					
16	Silicone Hose	L=310 mm	7730I3812	1	1	1	1	1					
<b>Refrigeration Circuit</b>													
17	Condenser		2A0779-01	1	1	1	1	-					
			2A0640-01					1					
18	Compressor		4A2456-01	1	-								
			4A2300-01		1	1	1	-					
			4A5090-01					1					
19	Protector		4A2499-01	1	-								
			4A1805-01		1	1	1	-					
			4A5120-01					1					
20	Protector Holder		437339-01		1	1	1	-					
21	Wire Kit		4A2990-01	1	-								
22	Fan Motor		4A3158-01	1	1	1	1	1					
22a	Self Locking Nut		7N21I0832	4	4	4	4	4					
23	Fan Blade		4A4014-01	1	-								
			444898-01		1	1	1	-					
			4A4014-01					1					
24	Evaporator Assembly		2A0717G01	1	1	1	1	1					
25	Thermostatic Expansion Valve		4A1684-01	1	-								
			4A1838-02		1	1	1	-					
			452870-01					1					

Title: A. Main Assembly and Refrigeration Circuit Model: KML-351MAH												
Index No.	Description	Material or Model Number	Part Number	Required Number								
				S-0	T-1 to U-0	U-1	U-2 to V-0	V-1 to D-0				
26	Thermostatic Expansion Valve Bulb Holder		3A0107-01	1	-							
			3A0112-01		1	1	1	-				
			3A0107-01					1				
27	Thermostatic Expansion Valve Cover		3A0944-01	1	-							
			4A1168-01		1	1	1	-				
			3A0944-01					1				
28	Thermistor		429006-03	1	1	1	1	1				
29	Thermistor Holder		427430-01	1	1	1	1	1				
30	Thermistor Insulation A		439368-01	1	1	1	1	1				
31	Thermistor Insulation B		439368-02	1	1	1	1	1				
32	High-Pressure Switch		433441-07	1	1	1	-					
			463180-04				1	1				
33	Hot Gas Valve Body		4A3978-01	1	1	1	1	1				
34	Liquid Line Valve Body		4a3276-01	1	-							
35	Valve Coil		4A3277-01	2	1	1	1	1				
36	Drier		4A2666-01	1	1	1	1	1				
37	Heat Exchanger		2A3912G01	1	-							
			2A1498G02		1	-						
			2A5340G01			1	1	-				
			2A4894G01					1				
38	Strainer		441569-02	1	-							
			4A0397-01		1	1	-					
			441569-02				1	1				

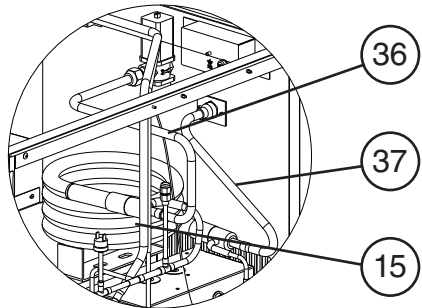
# A. Main Assembly and Refrigeration Circuit

## KML-351MWH

S-0 to D-0



High-Pressure Switch Detail  
S-0 to U-1(H)



Condenser Detail  
C-2 and Later

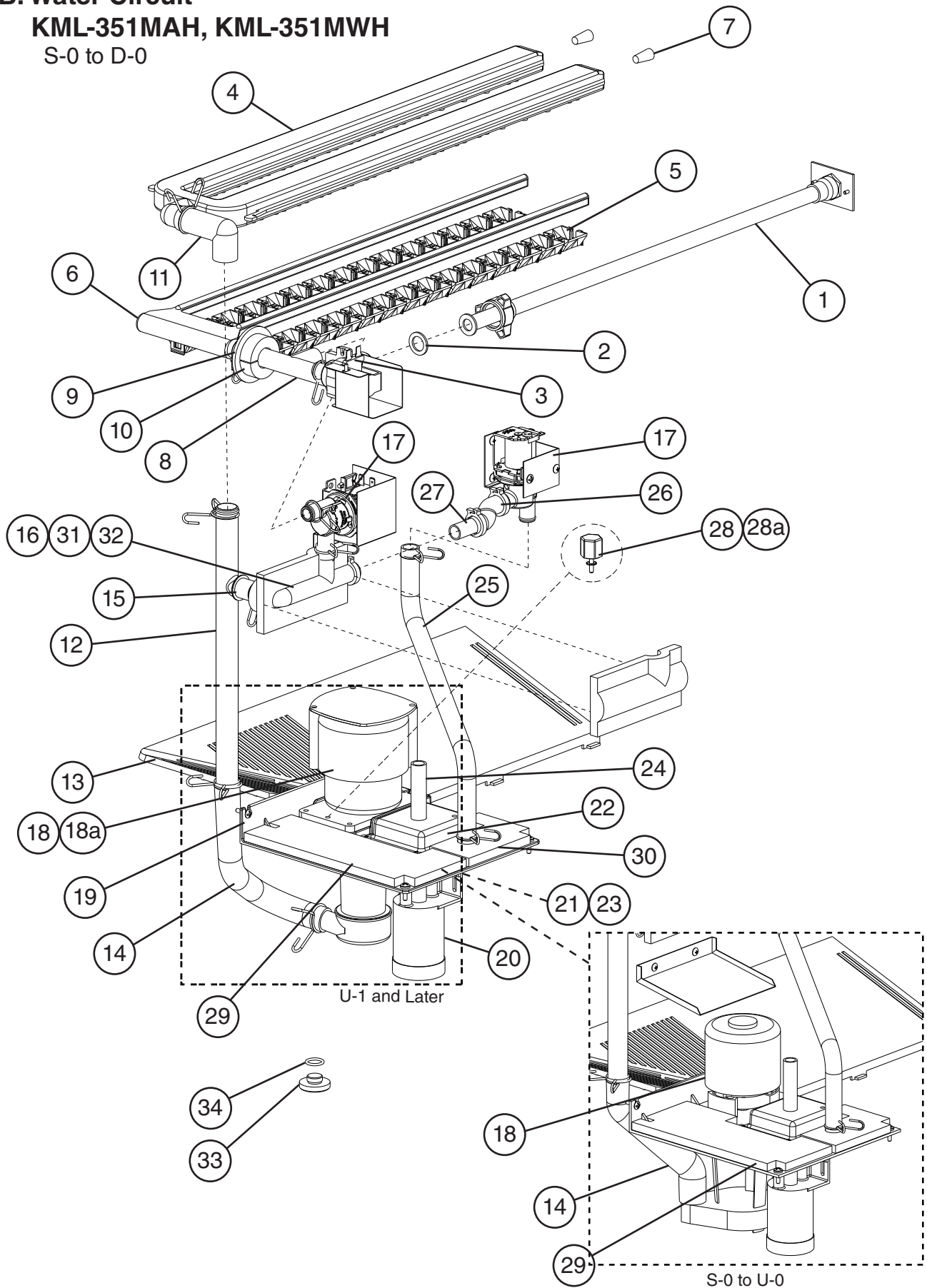
Title: A. Ice Cuber Assembly and Refrigeration Circuit Model: KML-351MWH												
Index No.	Description	Material or Model Number	Part Number	Required Number								
				S-0	T-0 to U-0	U-1 (G-H)	U-1 (J) to V-0	V-1 to C-1	C-2 to D-0			
<b>Main Assembly</b>												
1	Front Panel		3A1859A02	1	1	1	1	1	1			
2	Top Panel		3A1862A01	1	1	1	1	1	1			
3	Right Side Panel		2A2111G01	1	1	1	1	1	1			
4	Front Insulation		2A0664G01	1	1	1	1	1	1			
5	Top Insulation		215730G01	1	1	1	1	1	1			
6	Control Box Cover		3A2371-01	1	1	1	1	1	1			
7	Junction Box Cover		433410-01	1	1	1	1	1	1			
8	Bin Control Cover		3A0664G01	1	1	1	1	1	1			
8a	Thumbscrew		415949G08	2	2	2	2	2	2			
9	Bin Control Thermostat Extension Bracket		4A3436-01	1	-							
			4A4358-01		1	1	1	1	1			
9a	Thumbscrew		415949G10	2	2	2	2	2	2			
10	Spacer		443545-01	2	-							
11	Bin Control Bulb Holder		3A3903-01		1	1	1	1	1			
11a	Thumbscrew		415949G11		2	2	2	2	2			
12	NSF Plate		4A4401G01		1	1	1	1	1			
13	Capillary Ring		425307-01	1	1	1	1	1	1			
14	Silicone Hose	L=310 mm	7730I3812	1	1	1	1	1	1			
<b>Refrigeration Circuit</b>												
15	Condenser	HS-0160	2A2359G01	1	1	1	1	1	-			
			3A7321-01						1			
16	Compressor		4A2456-01	1	1	1	1	1	1			
17	Protector		4A2499-01	1	1	1	1	1	1			
18	Wire Kit		4A2990-01	1	1	1	1	1	1			
19	Water Regulating Valve		4A0911-06	1	1	1	1	1	1			
20	Male Connector		4A1087-01	1	1	1	1	1	1			
21	Evaporator		2A0717G01	1	1	1	1	1	1			
22	Thermostatic Expansion Valve		4A1684-01	1	1	1	1	1	1			
23	Thermostatic Expansion Valve Bulb Holder		3A0107-01	1	1	1	1	1	1			
24	Thermostatic Expansion Valve Cover		3A0944-01	1	1	1	1	1	1			
25	Thermistor		429006-03	1	1	1	1	1	1			
26	Thermistor Holder		427430-01	1	1	1	1	1	1			
27	Thermistor Insulation A		439368-01	1	1	1	1	1	1			
28	Thermistor Insulation B		439368-02	1	1	1	1	1	1			



**Title: A. Ice Cuber Assembly and Refrigeration Circuit Model: KML-351MWH**

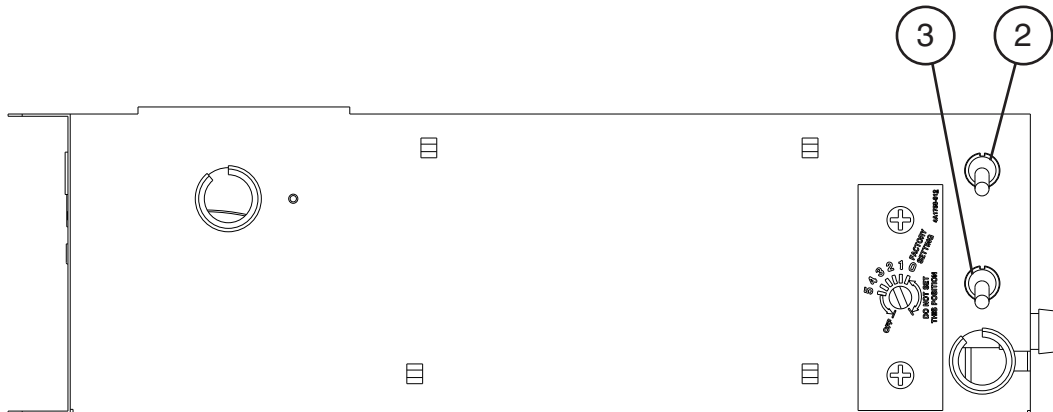
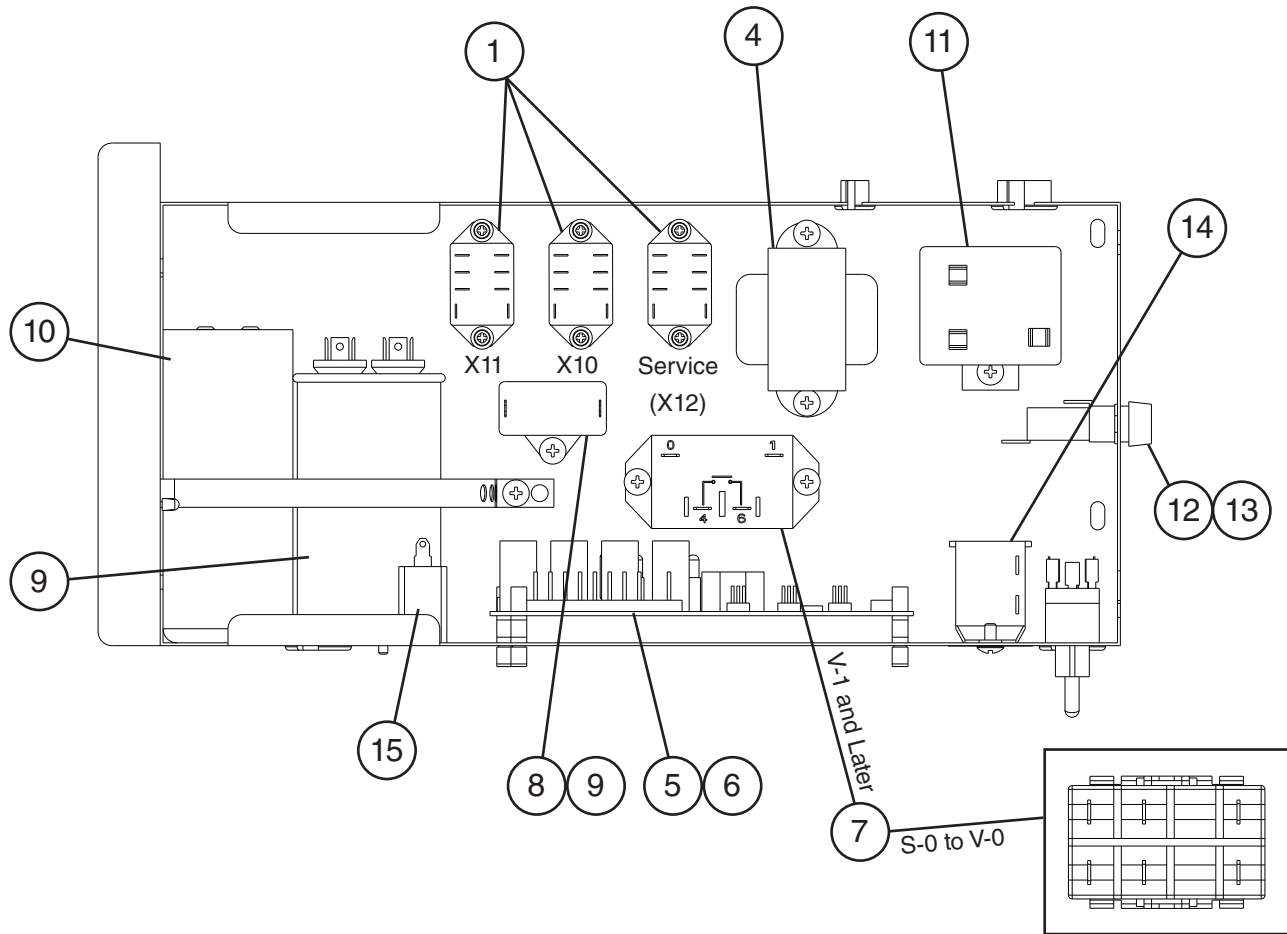
Index No.	Description	Material or Model Number	Part Number	Required Number									
				S-0	T-0 to U-0	U-1 (G-H)	U-1 (J) to V-0	V-1 to C-1	C-2 to D-0				
29	High-Pressure Switch		433441-05	1	1	1	-						
			463180-05				1	1	1				
30	Hot Gas Valve Body		4A3978-01	1	1	1	1	1	1				
31	Liquid Line Valve Body		4A3276-01	1	1	1	1	1	1				
32	Valve Coil		4A3277-01	2	2	2	2	2	2				
33	Drier		4A2666-01	1	1	1	1	1	1				
34	Heat Exchanger		2A3912G01	1	1	1	-						
			2A5334G01				1	1	1				
35	Strainer		441569-02	1	1	1	1	1	1				
36	Copper Tube A		3A2174G01	1	1	1	1	1	1				
37	Copper Tube B		3A2149G01	1	1	1	1	1	1				

**B. Water Circuit**  
**KML-351MAH, KML-351MWH**  
 S-0 to D-0



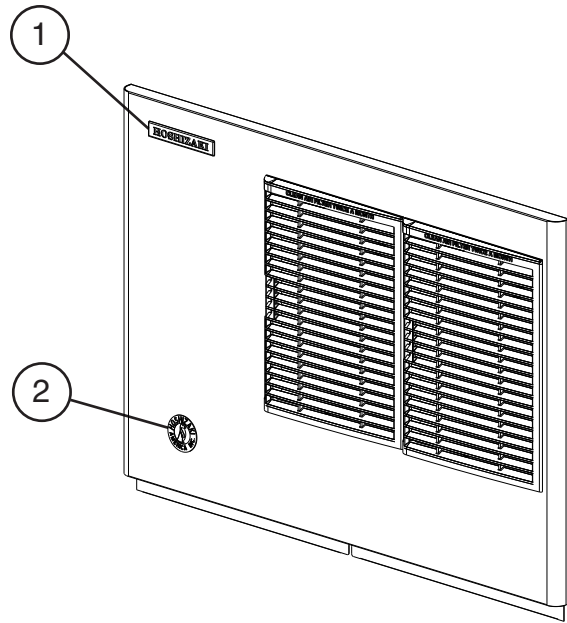
Title: B. Water Circuit Model: KML-351MAH, KML-351MWH												
Index No.	Description	Material or Model Number	Part Number	Required Number								
				S-0	T-0 to U-0	U-1 to V-0	V-1 to D-0					
1	Water Supply Pipe		4A0768G04	1	1	1	1					
2	Rubber Gasket		413854-03	1	1	1	1					
3	Inlet Water Valve	KML-351MAH	3U0150-01	1	-							
			3U0111-04		1	1	1					
		KML-351MWH	3U0150-01	1	1	1	1					
4	Spray Tube		1A0260-02	1	1	1	1					
5	Spray Guide		208586-01	6	6	6	6					
6	Water Supply Tube		2A0079-01	1	1	1	1					
7	Plug		4A0176-01	2	2	2	2					
8	Water Supply Tee		4A1006-01	1	1	1	1					
9	Flange		439267-01	1	1	1	1					
10	Insulation E		4A0392-01	1	1	1	1					
11	Elbow		4A0393-01	1	1	1	1					
12	Connecting Pipe		3A1335-01	1	1	1	1					
13	Cube		2A0660-01	1	1	1	1					
14	Pump Hose		4A1007-01	1	1	-						
	Hose B		325867-01			1	1					
15	Rubber Ring		4A1004-01	1	1	1	1					
16	Bypass Hose		4A1005-01	1	1	1	1					
17	Drain Valve/Wash Valve		4A3722-01	2	2	2	2					
18	Pump Motor		2A2861-01	1	1	-						
			4A4259-01			1	1					
18a	Thumbscrew		415949G11			1	1					
19	Pump Motor Bracket		2A4920G01			1	1					
20	Float Switch		4A3624-01	1	1	1	1					
21	Float Switch Bracket		327757-01	1	1	1	1					
22	Float Switch Cover		3A0665-01	1	1	1	1					
23	Float Switch Spacer	KML-351MAH	4A0650-01				1					
24	Vinyl Hose	L=150 mm	7716-1216	1	1	1	1					
25	Vinyl Hose	L=325 mm	7716-1519	1	1	1	1					
26	Vinyl Hose	L=65 mm	7716-1519	1	1	1	1					
27	Joint Pipe		439329-01	1	1	1	1					
28	Tooth Washer (Pump Ground)		7R21-0400	1	1	1	1					
28a	Thumbscrew (Pump Ground)	4x8, SS	415949G11	1	1	1	1					
29	Pump Motor Bracket Insulation A		4A1052-01	1	1	-						
			4A4783-01			1	1					
30	Pump Motor Bracket Insulation B		4A1053-01	1	1	1	1					
31	Bypass Hose Insulation A1		4A1259-01	1	1	1	1					
32	Bypass Hose Insulation A2		4A1260-01	1	1	1	1					
33	Drain Plug		309246-01	1	1	1	1					
34	O-Ring		7611-P015	1	1	1	1					
<b>Hose Clamps</b>												
	Hose Clamp	25 mm, SS	427443-03	3	3	4	4					
	Hose Clamp	18 mm, SS	427443-05	8	8	8	8					
	Hose Clamp	20 mm, SS	427443-06	2	2	2	2					
	Hose Clamp	27 mm, SS	427443-08	1	1	-						

**C. Control Box Assembly**  
**KML-351MAH, KML-351MWH**  
 S-0 to D-0



Title: C. Control Box Assembly Model: KML-351MAH, KML-351MWH													
Index No.	Description	Material or Model Number	Part Number	Required Number									
				S-0	T-0 to U-0	U-1 to V-0	V-1 to C-0	C-1 to D-0					
1	Relay (Service (X12), X10, and X11)	KML-351MAH	406132-07	1	1	1	3	3					
		KML-351MWH	406132-07	1	1	1	1	1					
2	Control Switch		443119-01	1	1	1	1	1					
3	Service Switch		4A0985-01	1	1	1	1	1					
4	Control Transformer		3A0172-01	1	1	1	1	1					
5	Control Board	KML-351MAH	2A1410-01	1	1	1	-						
			2A3792-01				1	1					
		KML-351MWH	2A1410-01	1	1	1	1	-					
			2A3792-01						1				
6	Control Board Support		4A0336-03	4	4	4	4	4					
7	Magnetic Contactor		428393-01	1	1	1	-						
	Compressor Relay		4A3140-01				1	1					
8	Fan Motor Capacitor	KML-351MAH 5MFD, 250VAC	443192-02	1	1	1	1	1					
9	Run Capacitor	KML-351MAH	3A2005-01	1	-								
			3A2005-08		1	1	-						
		KML-351MWH	3A2005-12					1	1				
			3A2005-01	1	1	1	1	1					
10	Start Capacitor	KML-351MAH	3A1414-01	1	-								
			3A0076-10		1	1	-						
		KML-351MWH	3A0076-20					1	1				
			3A1414-01	1	1	1	1	1					
11	Start Relay	KML-351MAH	4A1107-14	1	-								
			4A1107-11		1	1	-						
			4A1107-18					1	1				
		KML-351MWH	4A1107-14	1	1	1	1	1					
12	Fuse Holder		4A3449-01	1	1	1	1	1					
13	Fuse	AGC-10A, 250VAC	4A0893-07	1	1	1	1	1					
14	Bin Control Thermostat		4A2879-01	1	1	1	1	1					
15	Pump Motor Capacitor	2.5MFD, 250VAC	4A2128-05			1	1	1					

**D. Accessories & Labels**  
**KML-351MAH, KML-351MWH**  
 S-0 to D-0



Title: D. Accessories & Labels Model: KML-351MAH, KML-351MWH												
Index No.	Description	Material or Model Number	Part Number	Required Number								
				S-0 to D-0								
1	Hoshizaki Emblem Label		4A0560-01	1								
2	Penguin Label		4A0526-01	1								
3	Universal Brace		4A0363-01	2								
3a	Hex Head Bolt	5x12, SS	7B02-0512	2								