

# Hoshizaki America, Inc.

## Modular Crescent Cuber Serenity Series

Model  
KMS-1401MLJ



“A Superior Degree  
of Reliability”

[www.hoshizaki.com](http://www.hoshizaki.com)

## PARTS LIST



Number: 71342  
Issued: 8-19-2011  
Revised: 8-1-2012

## CONTENTS

Auxiliary Codes.....	3
Note About Ordering Parts .....	3
A. Ice Cuber Assembly and Refrigeration Circuit.....	4
B. Water Circuit .....	7
C. Control Box Assembly .....	10
D. Label Location .....	11
E. Accessories & Packaging .....	12

## Auxiliary Codes

<b>KMS-1401MLJ</b>	A-0	October 2011
	B-0	January 2012

### Auxiliary Code Breakdown

The auxiliary code is the first two characters in the serial number. The first character indicates the year. Years progress or regress in alphabetical order. The series runs from "A" through "V" and the letters "I" and "O" are skipped. The second character indicates significant part changes within a year. Base is "0" and this number advances for each change. In cases where there is a letter in parentheses, this designates the month. This is the last character in the serial number. The series runs from "(A)" through "(M)" and the letter "(I)" is skipped. This designation is only included when identifying a parts change within an auxiliary code.

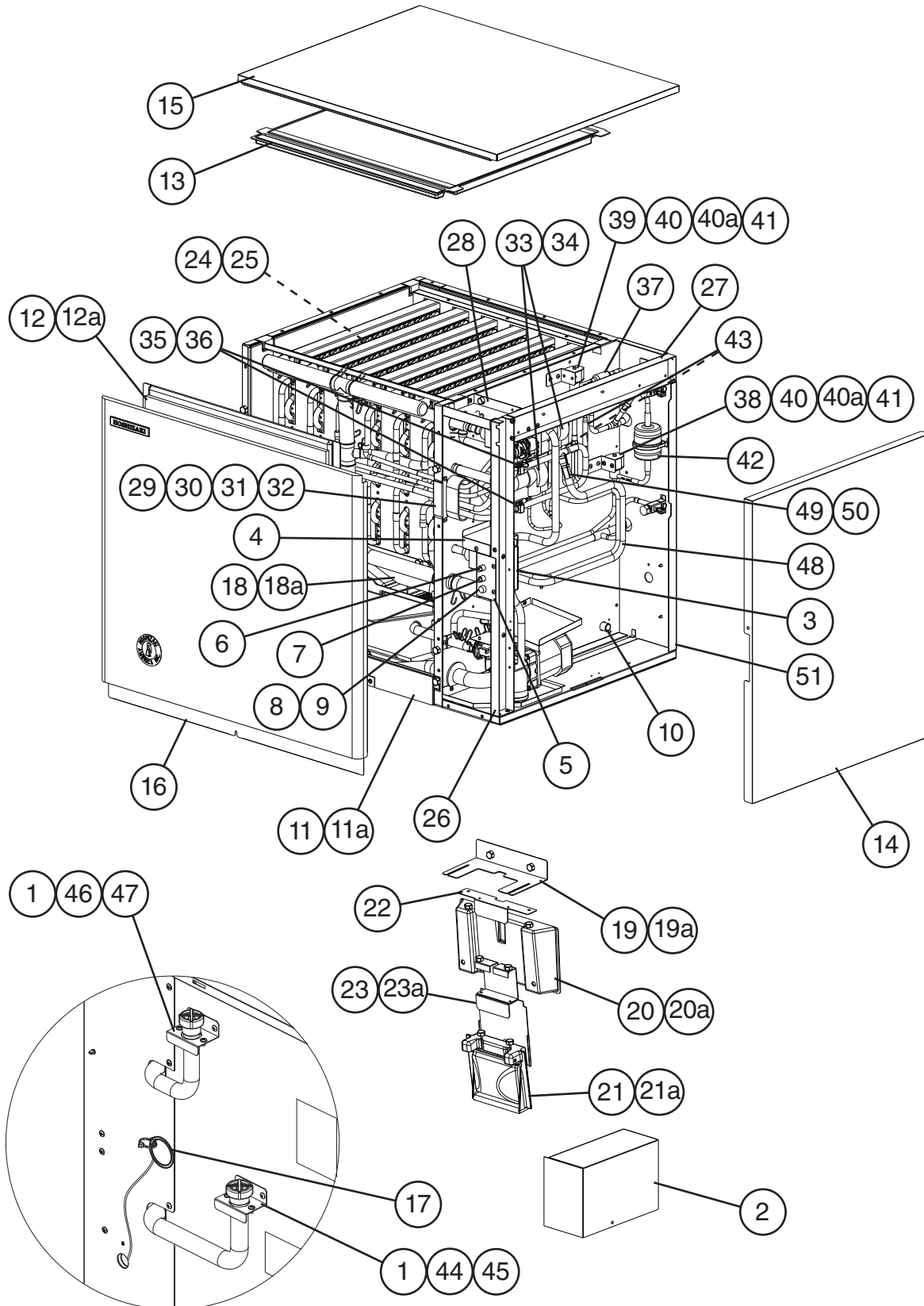
### Note About Ordering Parts

Most assemblies cannot be ordered as complete units; parts in the assemblies generally must be ordered separately.

# A. Ice Cuber Assembly and Refrigeration Circuit

## KMS-1401MLJ

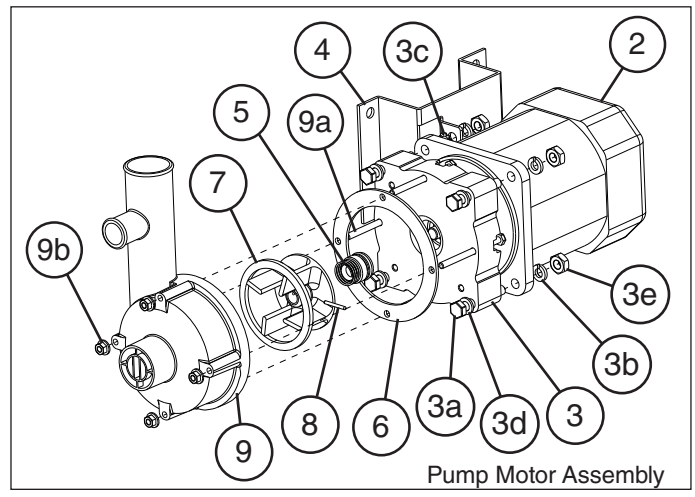
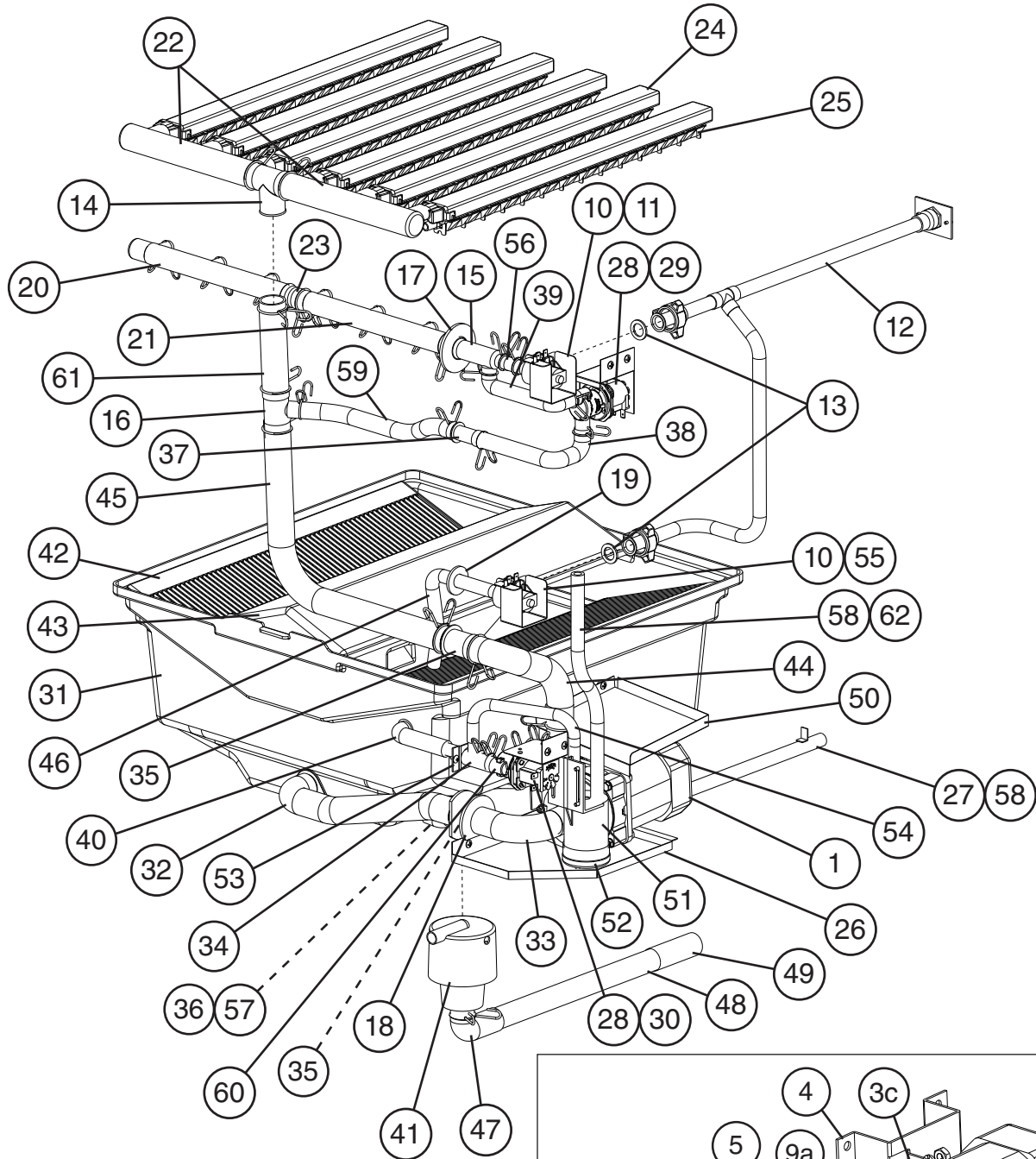
A-0, B-0



Title: <b>A. Ice Cuber Assembly and Refrigeration Circuit</b> Model: <b>KMS-1401MLJ</b>												
Index No.	Description	Material or Model Number	Part Number	Required Number								
				A-0	B-0							
<b>Ice Cuber Assembly Order Assembly Parts Individually</b>			1A2292A01	1								
1	Coupling Bracket		4A3891-02	2								
2	Control Box Cover		3A3248-01	1								
3	Switch Box Bracket		3A3304-01	1								
4	Switch Box Cover		4A3623-01	1								
5	Switch Box		3A3277-01	1								
6	Control Switch		443119-01	1								
7	Service Switch		4A0985-01	1								
8	Fuse Holder		4A3449-01	1								
9	Fuse		4A0893-07	1								
10	Evaporator Case Pipe B		4A3525-01	1								
11	Lower Front Frame		4A3542G01	1								
11a	Thumbscrew		415949G10	2								
12	Front Insulation		3A3250G01	1								
12a	Thumbscrew		415949G10	4								
13	Top Insulation		3A3251G01	1								
14	Right Side Panel		2A3225G01	1								
15	Top Panel		2A3226-01	1								
16	Front Panel		2A3236-01	1								
17	Wire Harness (KMS-SRK)		469256G01	1								
18	Splash Curtain		3A6842-01	1								
18a	Thumbscrew		415949G08	2								
19	Bin Control Bracket		4A4678-01	1								
19a	Thumbscrew		415949G08	2								
20	Bin Control Mount		3A3278G01	1								
20a	Thumbscrew		415949G08	2								
21	Bin Control		2A4393G01	1								
21a	Thumbscrew		415949G08	2								
22	Bin Control Cover		4A3580-01	1								
23	Bin Control Extension Bracket		4A4296G01	1								
23a	Thumbscrew		415949G08	2								
<b>Refrigeration Circuit Order Assembly Parts Individually</b>			1A2302A01	1								
24	Evaporator (includes item 25)		2A6657G01	1								
25	Evaporator Plate	HS-0214	1A1514G01	6								
26	Side Frame A		2A5022-01	1								
27	Side Frame B		3A3256-01	1								
28	Upper Front Frame		3A3257-01	1								
29	Insulation Holder		3A0979-01	1								
30	Rubber Tube		323974-01	1								
31	Insulation		436671-02	1								
32	Insulation		436597-01	1								
33	Thermostatic Expansion Valve		4A1482-01	2								
34	Thermostatic Expansion Valve Cover		3A0944-01	2								

Title: <b>A. Ice Cuber Assembly and Refrigeration Circuit</b> Model: <b>KMS-1401MLJ</b>												
Index No.	Description	Material or Model Number	Part Number	Required Number								
				A-0	B-0							
35	Thermostatic Expansion Valve Bulb Holder		3A0107-01	2								
36	Clamp		443461-02	2								
37	Strainer		441569-02	1								
38	Liquid Line Valve Body		4A3276-01	1								
39	Hot Gas Valve Body		4A3978-01	1								
40	Valve Coil (includes item 40a)		4A3277-01	2								
40a	Bolt		4A3277F01	2								
41	Bracket		4A3890-01	2								
42	Drier		4A2663-01	1								
43	Check Valve		4A1373-01	2								
44	Suction Line Coupling		4A3826-01	1								
45	Suction Line Tube Holder		438245-02	1								
46	Liquid Line Coupling		434072-01	1								
47	Liquid Line Tube Holder		438245-01	1								
48	Heat Exchanger		3A3263G01	1								
49	Thermistor		429006-05	1								
50	Thermistor Holder		438247-01	1								
51	Rear Panel		2A5016-01	1								

**B. Water Circuit**  
**KMS-1401MLJ**  
 A-0, B-0



Title: **B. Water Circuit** Model: **KMS-1401MLJ**

Index No.	Description	Material or Model Number	Part Number	Required Number																		
				A-0	B-0																	
<b>Water Circuit</b>			1A2290A01	1																		
<b>Order Assembly Parts Individually</b>																						
1	Pump Motor Assembly (includes items 2 through 9b)	HS-0183	2A3237A01	1																		
2	Pump Motor		2U0106-01	1																		
3	Pump Flange		215662-01	1																		
3a	Hex Head Bolt	6x40, SS	7B02-0640	4																		
3b	Split Lock Washer	M6, SS	7L22-0600	4																		
3c	Tooth Washer	M6, SS	7R22-0600	2																		
3d	Flat Washer	M6, SS	7W22-0600	4																		
3e	Hex Nut	M6, SS	7N12-0600	4																		
4	Pump Motor Bracket		3A3252-01	1																		
5	Mechanical Seal		4A3820-01	1																		
6	Packing		428547-01	1																		
7	Impeller		436584-01	1																		
8	Pin		4A0648-01	1																		
9	Pump Housing		2A3214-01	1																		
9a	Hex Head Bolt	4x55, SS	7B02-0455	4																		
9b	Hex Flange Nut	M4, SS	7J02-0400	4																		
10	Water Valve Bracket		3A5725-01	2																		
11	Inlet Water Valve		4A5251-04	1																		
12	Water Supply Pipe		3A5118G01	1																		
13	Rubber Gasket		413854-03	2																		
14	Distributor A		4A3528-01	1																		
15	Distributor B		3A3239-01	1																		
16	Distributor C		4A3530-01	1																		
17	Flange		439267-02	1																		
18	Flange		439267-03	2																		
19	Flange		4A3573-01	1																		
20	Distributor Hose A		325738-01	1																		
21	Distributor Hose B		325738-02	1																		
22	Distributor Hose C		325739-02	2																		
23	Joint Pipe		439297-02	1																		
24	Spray Tube		437049G04	6																		
25	Spray Guide		2A4282-03	6																		
26	Pump Drain		3A5841G01	1																		
27	Drain Pipe		4A3568G01	1																		
28	Water Valve (drain and wash)		4A3722-05	2																		
29	Drain Valve Bracket A		4A3569-01	1																		
30	Drain Valve Bracket B		4A3570-01	1																		
31	Tank		1A2291G01	1																		
32	Suction Hose A		3A3234-01	1																		
33	Suction Hose B		4A3534-01	1																		
34	Evaporator Case Pipe A		4A3524-01	1																		
35	Evaporator Case Pipe C		4A3526-01	2																		
36	Evaporator Case Pipe D		4A3527-01	1																		
37	Evaporator Case Pipe E		4A3765-01	1																		
38	Upper Inlet Hose		3A3496-01	1																		
39	Outlet Hose		3A3497-01	1																		

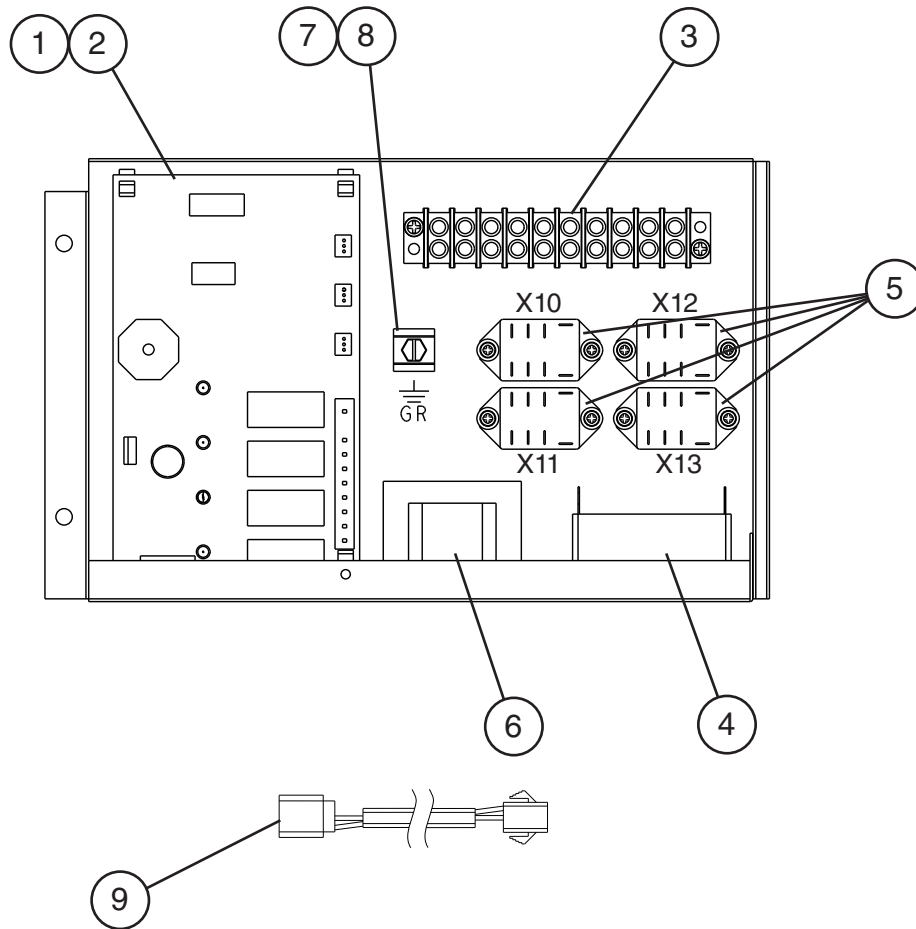


Title: <b>B. Water Circuit</b> Model: <b>KMS-1401MLJ</b>												
Index No.	Description	Material or Model Number	Part Number	Required Number								
				A-0	B-0							
40	Overflow Drain Hose		<a href="#">4A3536-01</a>	1								
41	Overflow Cap		<a href="#">2A3215-01</a>	1								
42	Cube Guide		<a href="#">1A0966-01</a>	2								
43	Tank Separator		<a href="#">2A3220-01</a>	1								
44	Discharge Hose A		<a href="#">4A3532-01</a>	1								
45	Discharge Hose B		<a href="#">4A3533-01</a>	1								
46	Lower Inlet Hose		<a href="#">4A3535-01</a>	1								
47	Drain Hose A		<a href="#">4A3537-01</a>	1								
48	PVC Pipe		<a href="#">433509-03</a>	1								
49	Drain Hose B		<a href="#">434808-01</a>	1								
50	Pump Motor Cover		4A3586-01	1								
51	Float Switch		<a href="#">4A3624-01</a>	1								
52	Float Switch Connector		<a href="#">3A4169-01</a>	1								
53	Pipe Stopper		4A3767-01	1								
54	Float Switch Hose		<a href="#">4A4851-01</a>	1								
55	Water Valve		<a href="#">4A5251-05</a>	1								
56	Vinyl Hose	L=40	<a href="#">7716-1216</a>	1								
57	Vinyl Hose	L=80	<a href="#">7716-1216</a>	1								
58	Vinyl Hose	L=50	<a href="#">7716-1519</a>	2								
59	Vinyl Hose	L=320	<a href="#">7716-1519</a>	1								
60	Vinyl Hose	L=45	<a href="#">7716-1519</a>	1								
61	Vinyl Hose	L=124	<a href="#">7716-2732</a>	1								
62	Silicone Hose	L=320	<a href="#">7730I3812</a>	1								
<b>Hose Clamps</b>												
	Hose Clamp	25mm, SS	<a href="#">427443-03</a>	3								
	Hose Clamp	16.5mm, SS	<a href="#">427443-04</a>	1								
	Hose Clamp	18mm, SS	<a href="#">427443-05</a>	7								
	Hose Clamp	20mm, SS	<a href="#">427443-06</a>	4								
	Hose Clamp	13.5mm, SS	<a href="#">427443-07</a>	6								
	Hose Clamp	27mm, SS	<a href="#">427443-08</a>	1								
	Hose Clamp	32mm, SS	<a href="#">427443-09</a>	8								

# C. Control Box Assembly

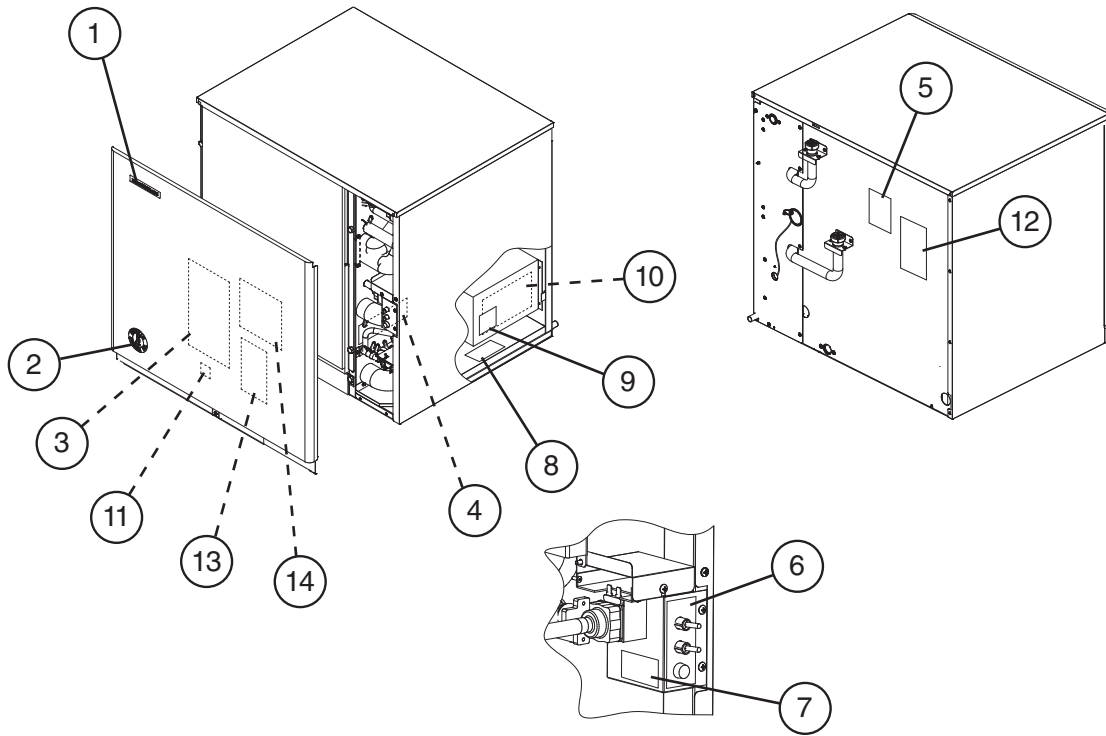
## KMS-1401MLJ

A-0, B-0



Title: C. Control Box Assembly		Model: KMS-1401MLJ		Required Number														
Index No.	Description	Material or Model Number	Part Number	A-0														
				B-0														
<b>Control Box Assembly</b>			3A3247A01	1														
<b>Order Assembly Parts Individually</b>																		
1	"G" Control Board		2A3792-01	1														
2	Control Board Support		4A0336-03	4														
3	Terminal Block		4A4201-01	1														
4	Pump Motor Capacitor	10MFD, 250VAC	443192-01	1														
5	X10, X11, X12, X13 Relay		406132-07	4														
6	Control Transformer		3A0172-01	1														
7	Ground Screw		433304-02	1														
8	Square Washer		433537-02	1														
9	Wire Harness		4A2200G04	1														

**D. Label Location**  
**KMS-1401MLJ**  
 A-0, B-0



Title: D. Label Location		Model: KMS-1401MLJ		Required Number										
Index No.	Description	Material or Model Number	Part Number	A-0										
				B-0										
<b>Label Location</b>			2A4558A04	1										
<b>Order Assembly Parts Individually</b>														
1	Emblem		4A0560-01	1										
2	Penguin Label		4A0526-01	1										
3	Maintenance Label		2A3296-01	1										
4	Warning Label K		4A4736-01	1										
5	Instruction Label		444575-01	1										
6	Manual Label		3A3331-01	1										
7	Fuse Label		4A2817-01	1										
8	Caution Label		4A4209-01	1										
9	Alarm Label		4A3517-01	1										
10	Control Board Label		3A4784-01	1										
11	Caution		4A5356-01	1										
12	Nameplate		3A6835-01	1										
13	Rating Label		3A6836-01	1										
14	Wiring Label		3A6637-01	1										

## E. Accessories & Packaging

### KMS-1401MLJ

A-0, B-0

Title: E. Accessories & Packaging Model: KMS-1401MLJ												
Index No.	Description	Material or Model Number	Part Number	Required Number								
				A-0	B-0							
1	Instruction Manual		91A1YH10A	1								
2	Universal Brace		4A0363-01	2								
2a	Hex Head Bolt	5x12, SS	7B02-0512	2								
3	Sealant	RTV-748	8601-0111	1								
	Packaging		2A5858A02									