

# Hoshizaki America, Inc.

## Professional Series Refrigerated Kitchen Equipment

Models  
PTR2SSE-FSFS  
PTR2SSE-HSHS



“A Superior Degree  
of Reliability”

[www.hoshizaki.com](http://www.hoshizaki.com)

## PARTS LIST



Number: 71337  
Issued: 7-25-2011  
Revised: 2-5-2016

## CONTENTS

Auxiliary Codes.....	3
Note About Ordering Parts .....	3
A. Main Assembly .....	4
B. Refrigeration Circuit.....	6
C. Control Box Assembly .....	8
D. Door-Right Hinged .....	9
Full Solid: PTR2SSE-FSFS .....	9
Half Solid: PTR2SSE-HSHS .....	11
E. Door-Left Hinged .....	13
Full Solid: PTR2SSE-FSFS .....	13
Half Solid: PTR2SSE-HSHS .....	15
F. Accessories & Labels.....	17

## **Auxiliary Codes**

### **PTR2SSE-FSFS**

A-5 June 2011  
B-5 April 2012  
C-5 March 2013

### **PTR2SSE-HSHS**

C-5 June 2013  
D-5 June 2014

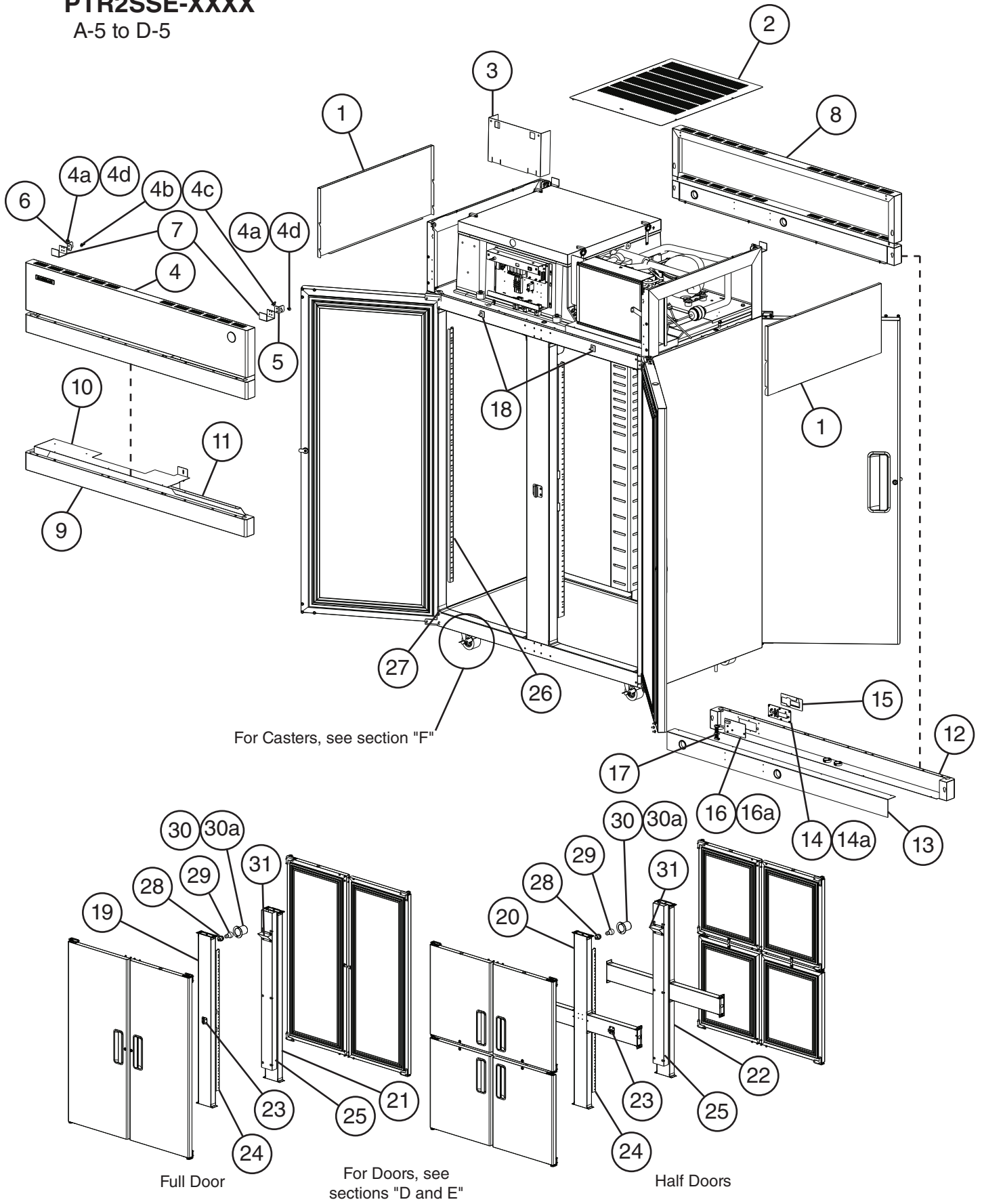
## **Auxiliary Code Breakdown**

The auxiliary code is the first two characters in the serial number. The first character indicates the year. Years progress or regress in alphabetical order. The series runs from "A" through "V" and the letters "I" and "O" are skipped. The second character indicates significant part changes within a year. Base is "5" and this number advances for each change. In cases where there is a letter in parentheses, this designates the month. This is the last character in the serial number. The series runs from "(A)" through "(M)" and the letter "(I)" is skipped. This designation is only included when identifying a parts change within an auxiliary code.

## **Note About Ordering Parts**

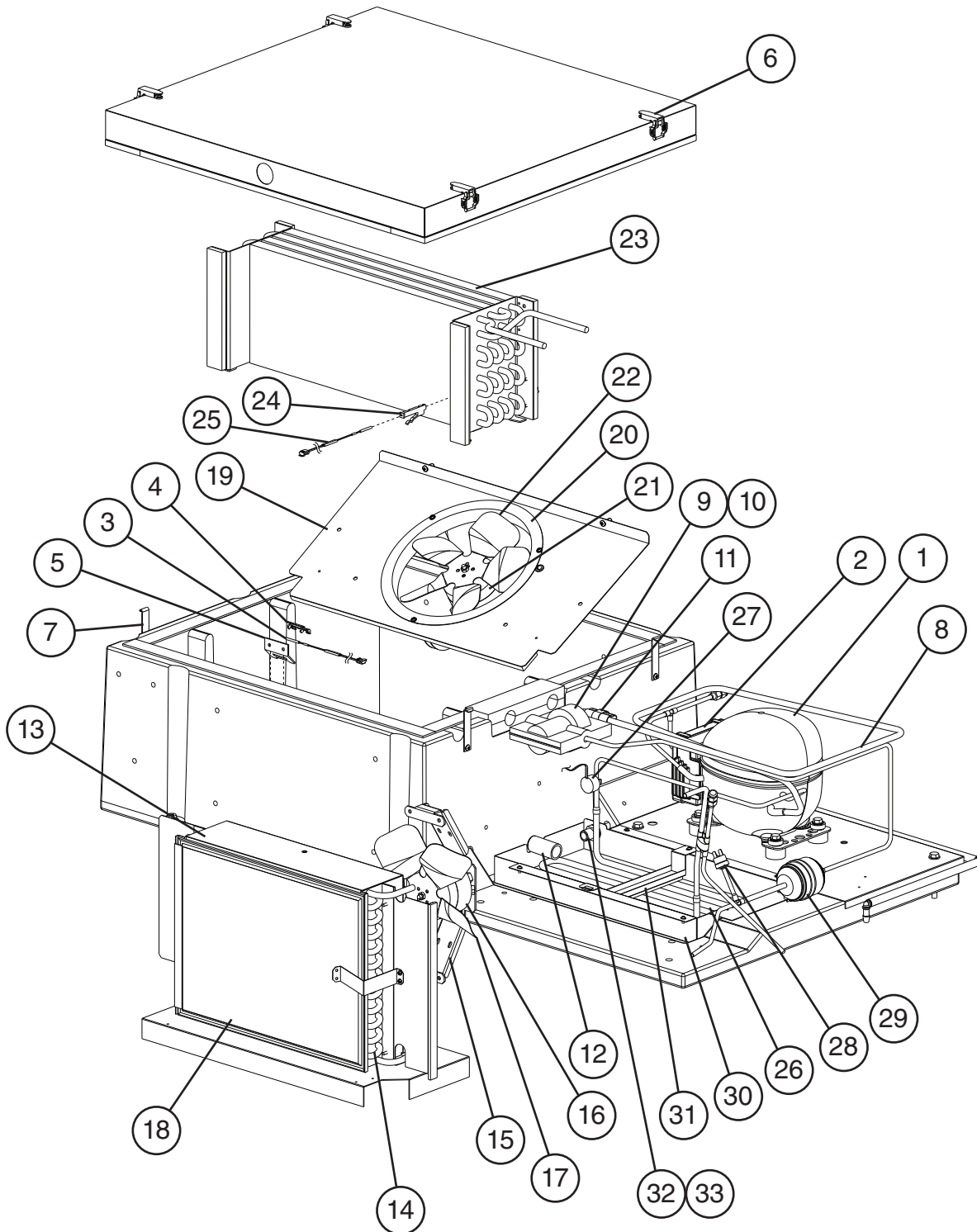
Most assemblies cannot be ordered as complete units; parts in the assemblies generally must be ordered separately.

**A. Main Assembly**  
**PTR2SSE-XXXX**  
 A-5 to D-5



Title: A. Main Assembly Model: PTR2SSE-XXXX												
Index No.	Description	Material or Model Number	Part Number	A-5 to D-5	Required Number							
1	Side Panel		2A1800-01	2								
2	Top Cover		2A4056-01	1								
3	Control Box Cover		2A1031-01	1								
4	Front Hinged Panel		1A0624-08	1								
4a	Clevis Pin		8907-0102	2								
4b	Cotter Pin		8907-0103	2								
4c	Flat Washer		4A0665-03	2								
4d	Hinge Spacer		4A2473-01	2								
5	Front Panel Right Hinge		4A2154-01	1								
6	Front Panel Left Hinge		4A2153-01	1								
7	Hinge Channel		4A2170-01	2								
8	Rear Stationary Panel		1A0624-09	1								
9	Front Control Panel		1A0835-06	1								
10	Cover Wires		2A2038-01	1								
11	Cover Board		3A1046-01	1								
12	Rear Control Panel		1A0835-01	1								
13	Cover Wires		3A4217-01	1								
14	Display Board		2A0883-01	1								
14a	Palnut		4A1398-01	6								
15	Display Label		3A5788-01	1								
16	Display Board Mount		3A0823-01	1								
16a	Nylon Screw		4A1397-01	4								
17	Ribbon Cable		4A1106-03	1								
18	Door Switch	Full Door	3A1826-01	4								
		Half Door		8								
19	Front Vertical Mullion (includes item 24)	Full Door	2A6216G01	1								
20	Front Cross Mullion (includes item 24)	Half Door	2A6203G01	1								
21	Rear Vertical Mullion (includes item 24)	Full Door	2A6217G01	1								
22	Rear Cross Mullion (includes item 24)	Half Door	2A6204G01	1								
23	Strike Plate	Full Door	4A4587-01	2								
		Half Door		4								
24	Mullion Pilaster	Half Door	2A3246-01	2								
25	Pilaster Bracket	Half Door	3A6862G01	2								
26	Pilaster		3A0145-01	4								
27	Corner Cover	Full Door	3A1751-01	16								
		Half Door		32								
28	Incandescent Light Holder		4A2862-01	1								
29	Incandescent Light Bulb		4A2420-01	1								
30	Incandescent Light Shield		4A0465-01	1								
30a	Cheese Head Screw		7C52-0512	2								
31	Air Deflector		4A4286-01	1								

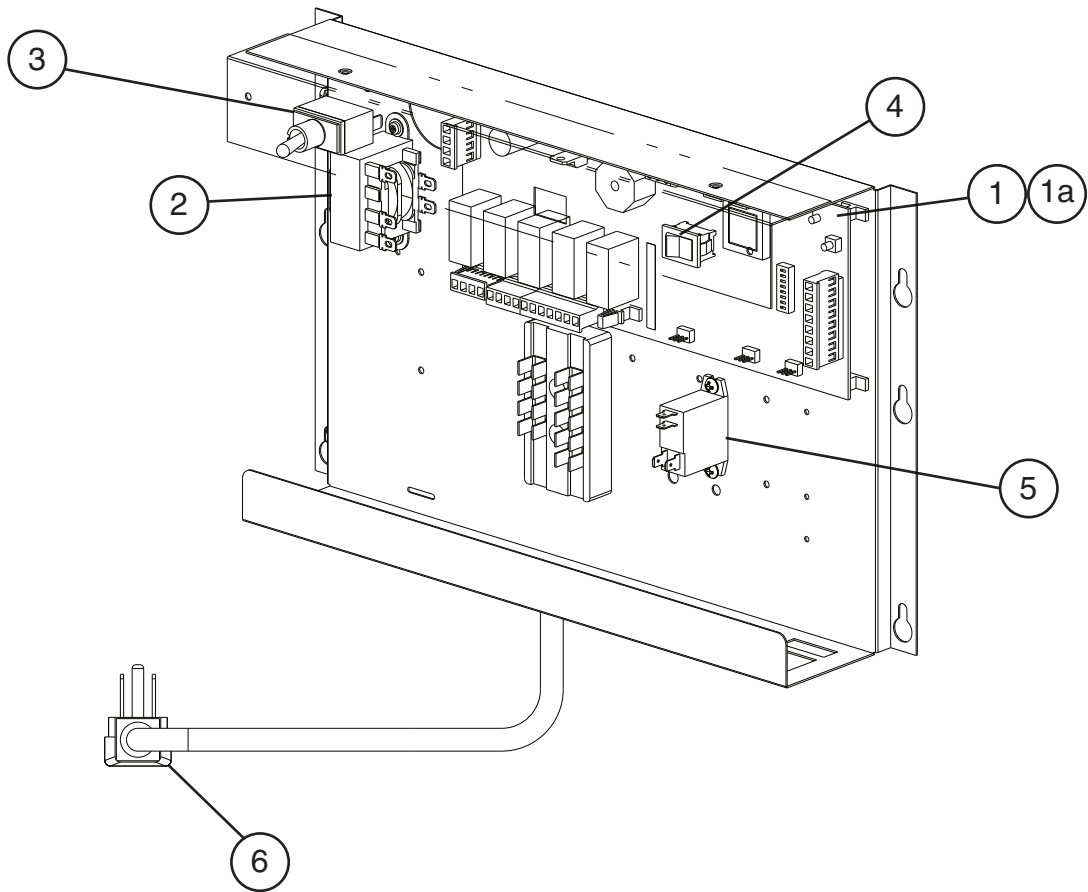
**B. Refrigeration Circuit**  
**PTR2SSE-XXXX**  
A-5 to D-5



**Title: B. Refrigeration Circuit    Model: PTR2SSE-XXXX**

Index No.	Description	Material or Model Number	Part Number	A-5 to D-5	Required Number								
1	Compressor		4A4622-01	1									
2	Electronic Unit		4A4673-01	1									
3	Cabinet Thermistor		4A1429-01	1									
4	Cabinet Thermistor Clip Bracket		433920-01	1									
5	Cabinet Thermistor Bracket		433964-01	1									
6	Draw Latch		4A3988-01	4									
7	Catch Latch		4A3987-01	4									
8	Heat Exchanger		2A4828G01	1									
9	Thermostatic Expansion Valve		4A4599-01	1									
10	Thermostatic Expansion Valve Cover		4A4646-01	1									
11	Thermostatic Expansion Valve Bulb Holder		3A0107-01	1									
12	Evaporator Drain Pipe		3A0143-01	1									
13	Condenser Shroud		2A1686-01	1									
14	Condenser		2A0261-01	1									
15	Condenser Fan Motor Bracket		3A1564-01	1									
16	Condenser Fan Motor		4A4621-01	1									
17	Condenser Fan Blade		3A0608-01	1									
18	Condenser Filter		3A0277-02	1									
19	Evaporator Fan Shroud		3A6861G01	1									
20	Evaporator Fan Motor Bracket		4A0412-01	1									
21	Evaporator Fan Motor		4A4620-01	1									
22	Evaporator Fan Blade		3A0436-01	1									
23	Evaporator		2A1252-01	1									
24	Defrost Thermistor Clip		320418-01	1									
25	Defrost Thermistor		4A1428-01	1									
26	Condensate Coil		2A1856-01	1									
27	Clogged Filter Thermostat		4A0484-01	1									
28	High-Pressure Switch		4A2516-01	1									
29	Drier		4A0924-01	1									
30	Evaporator Drain Pan		2A0200-02	1									
31	Condensate Coil Strap		3A0413-03	1									
32	Overflow Drain Fitting w/Nut		4A2182-01	1									
33	Rubber Gasket		413854-03	1									

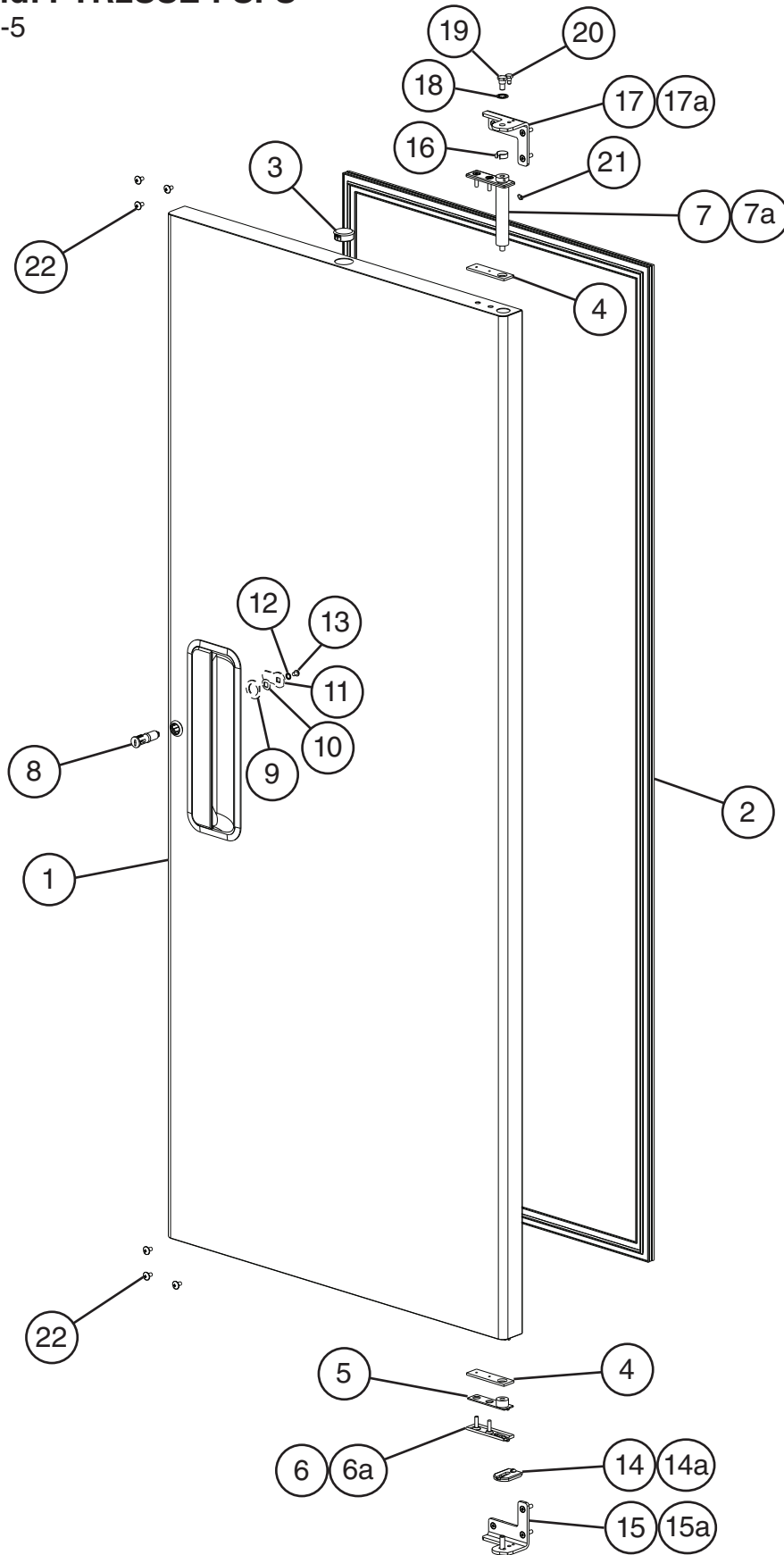
**C. Control Box Assembly**  
**PTR2SSE-XXXX**  
 A-5 to D-5



Title: C. Control Box Assembly    Model: PTR2SSE-XXXX				Required Number						
Index No.	Description	Material or Model Number	Part Number	A-5 to D-5						
1	Control Board		2A2862-24	1						
1a	Control Board Support		4A0336-03	6						
2	Control Transformer		3A1759-01	1						
3	Power Switch		4A0424-01	1						
4	Perimeter Heater Switch		4A0418-01	1						
5	Compressor Relay		4A4329-01	1						
6	Power Supply Cord		4A0520-01	1						

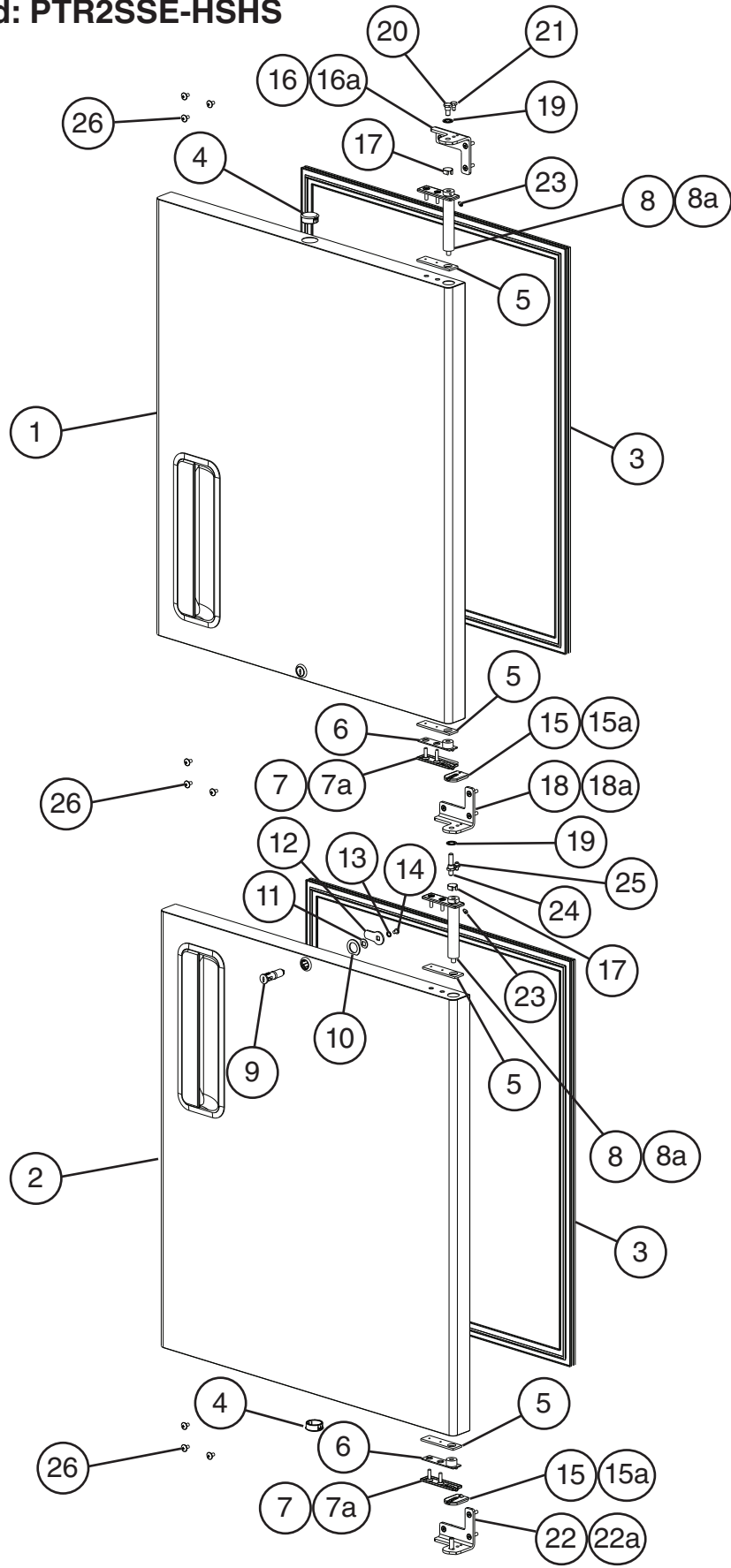


**D. Door-Right Hinged**  
**Full Solid: PTR2SSE-FSFS**  
 A-5 to C-5



Title: D. Door-Right Hinged Model: Full Solid: PTR2SSE-FSFS												
Index No.	Description	Material or Model Number	Part Number	Required Number								
				A-5 to C-5								
1	Right Door Subassembly (includes items 2 through 7a)		2A6545G01	1								
2	Door Gasket		2A5192-07	1								
3	Locking Hole Plug		4A0586-06	1								
4	Foam Pad		4A2257-01	2								
5	Right Hinge Bottom Bushing		4A0439-01	1								
6	Male Right Hinge Bottom Plate		4A0440-01	1								
6a	Countersunk Screw	5x20, SS	7C42-0520	2								
7	Right Hinge Spring Cartridge		4A0438-01	1								
7a	Countersunk Screw	5x20, SS	7C42-0520	2								
8	Door Lock Tumbler (includes Key 4A0460-01)		4A0462-01	1								
9	Door Lock Washer		4A0670-01	1								
10	Door Lock Stop Washer		4A0458-01	1								
11	Door Lock Cam		4A0228-01	1								
12	Door Lock Lock Washer		4A0459-01	1								
13	Door Lock Screw		4A0461-01	1								
14	Female Right Hinge Bottom Plate		4A0441-01	1								
14a	Stop Plate Screw		4A0483-01	1								
15	Lower Right (LR) Door Hinge Bracket		3A1626-01	1								
15a	Countersunk Screw	5x20, SS	7C42-0520	3								
16	Hinge Bushing Cover		4A0445-01	1								
17	Upper Right (UR) Door Hinge Bracket		3A1580-01	1								
17a	Countersunk Screw	5x20, SS	7C42-0520	3								
18	Hinge Lock Washer		4A0553-01	1								
19	Top Hinge Pivot Pin		4A2179-01	1								
20	Hinge Stop Pin		4A2180-01	1								
21	Hinge Tension Screw		4A0446-01	1								
22	Truss Head Screw (filler)	5x10, SS	7C32-0510	6								

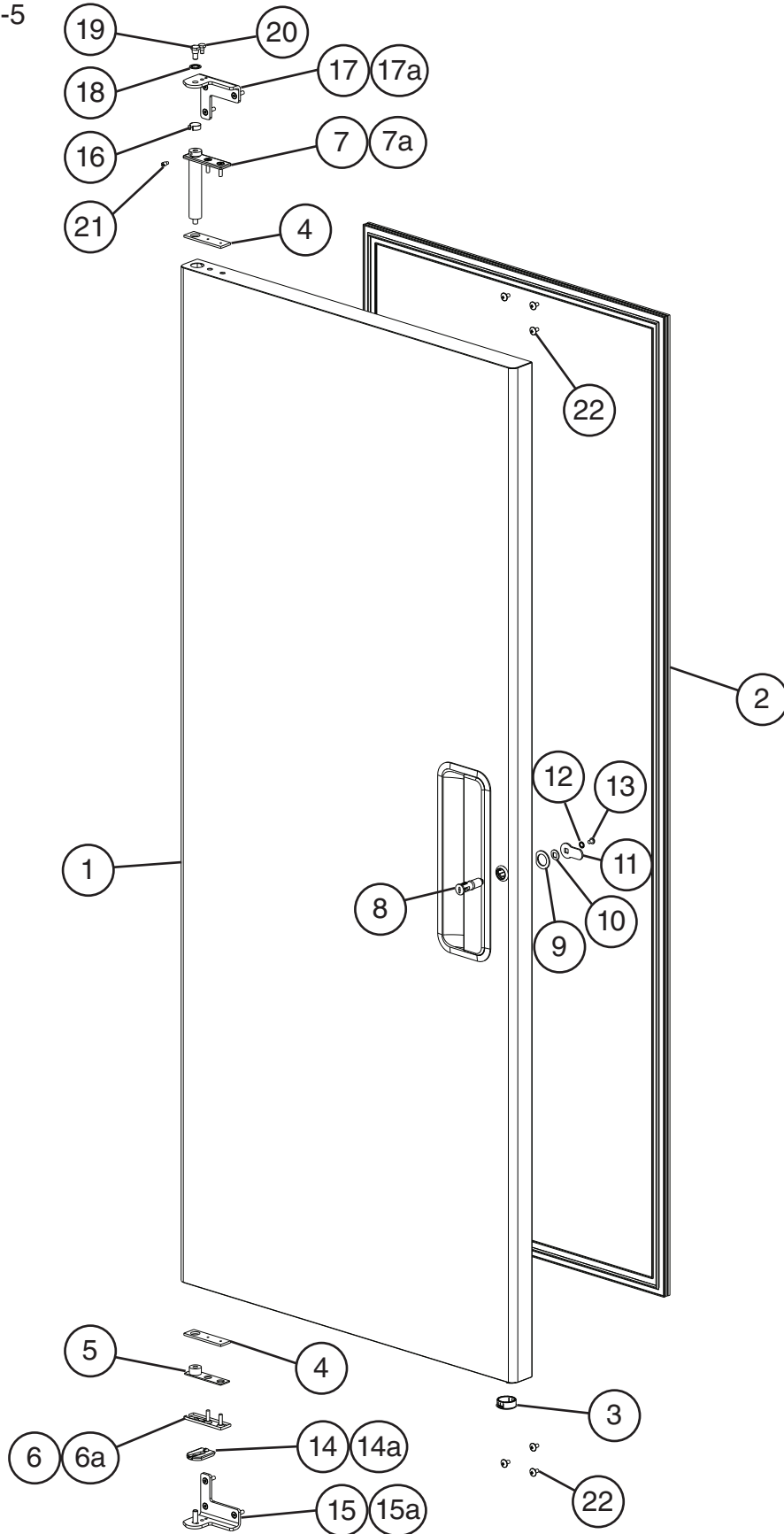
**D. Door-Right Hinged**  
**Half Solid: PTR2SSE-HSHS**  
 C-5, D-5



Title: D. Door-Right Hinged Model: Half Solid: PTR2SSE-HSHS												
Index No.	Description	Material or Model Number	Part Number	Required Number								
				C-5 D-5								
1	Upper Right/Lower Left Door Assembly (includes half the quantity of items 3-8a)		2A6549G01	1								
2	Lower Right/Upper Left Door Assembly (includes half the quantity of items 3-8a)		2A6550G01	1								
3	Door Gasket		2A5192-08	2								
4	Locking Hole Plug		4A0586-06	2								
5	Foam Pad		4A2257-01	4								
6	Right Hinge Bottom Bushing		4A0439-01	2								
7	Male Right Hinge Bottom Plate		4A0440-01	2								
7a	Countersunk Screw	5x20, SS	7C42-0520	4								
8	Right Hinge Spring Cartridge		4A0438-01	2								
8a	Countersunk Screw	5x20, SS	7C42-0520	4								
9	Door Lock Tumbler (includes Key 4A0460-01)		4A0462-01	2								
10	Door Lock Washer		4A0670-01	2								
11	Door Lock Stop Washer		4A0458-01	2								
12	Door Lock Cam		4A0228-01	2								
13	Door Lock Lock Washer		4A0459-01	2								
14	Door Lock Screw		4A0461-01	2								
15	Female Right Hinge Bottom Plate		4A0441-01	2								
15a	Stop Plate Screw		4A0483-01	2								
16	Upper Right (UR) Door Hinge Bracket		3A1580-01	1								
16a	Countersunk Screw	5x20, SS	7C42-0520	3								
17	Hinge Bushing Cover		4A0445-01	2								
18	Upper Left (UL) Door Hinge Bracket		3A1581-01	1								
18a	Countersunk Screw	5x20, SS	7C42-0520	3								
19	Hinge Lock Washer		4A0553-01	2								
20	Top Hinge Pivot Pin		4A2179-01	1								
21	Top Hinge Stop Pin		4A2180-01	1								
22	Lower Right (LR) Door Hinge Bracket		3A1626-01	1								
22a	Countersunk Screw	5x20, SS	7C42-0520	3								
23	Hinge Tension Screw		4A0446-01	2								
24	Bottom Hinge Pivot Pin		4A1735-01	1								
25	Bottom Hinge Stop Pin		4A1734-01	1								
26	Truss Head Screw (filler)	5x10, SS	7C32-0510	9								

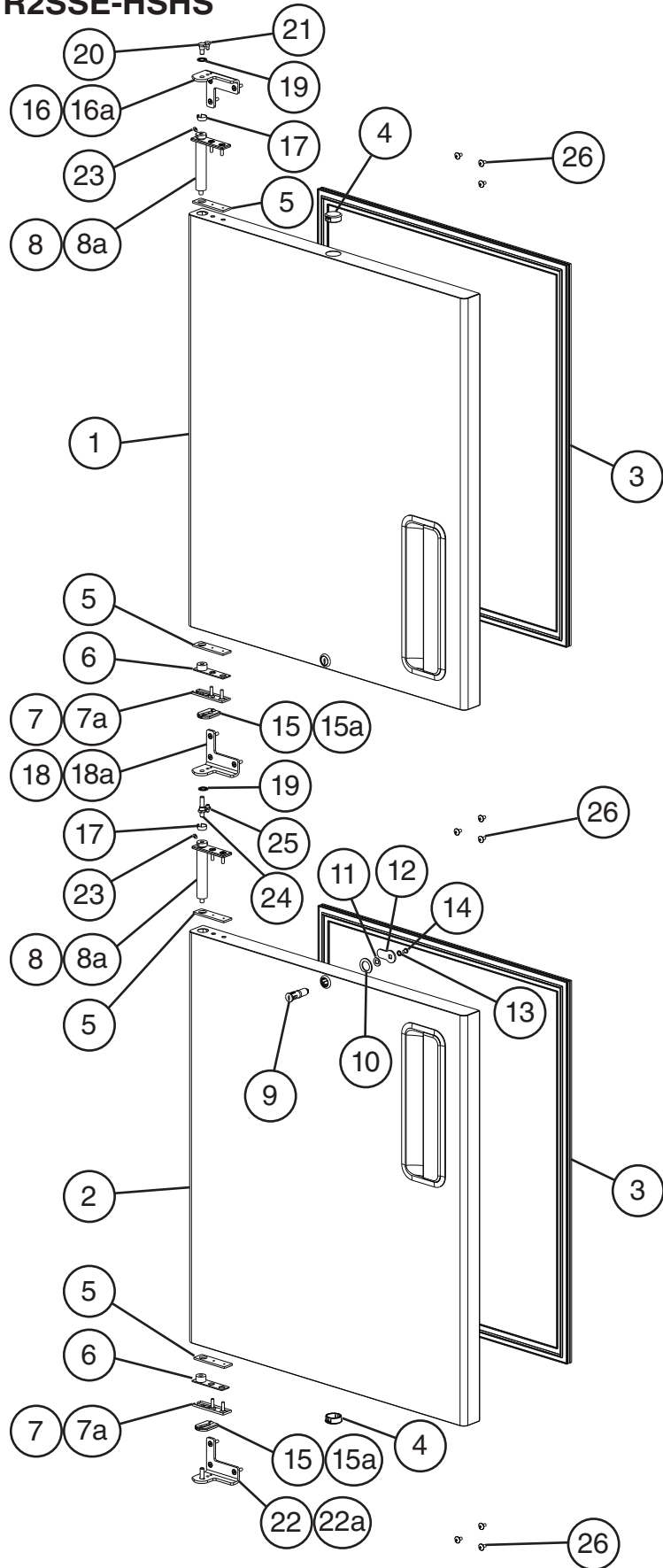
**E. Door-Left Hinged**  
**Full Solid: PTR2SSE-FSFS**

A-5 to C-5



Title: E. Door-Left Hinged Model: Full Solid: PTR2SSE-FSFS												
Index No.	Description	Material or Model Number	Part Number	Required Number								
				A-5 to C-5								
1	Left Door Subassembly (includes items 2 through 7a)		2A6546A01	1								
2	Door Gasket		<a href="#">2A5192-07</a>	1								
3	Locking Hole Plug		4A0586-06	1								
4	Foam Pad		4A2257-01	2								
5	Left Hinge Bottom Bushing		<a href="#">4A0439-02</a>	1								
6	Male Left Hinge Bottom Plate		<a href="#">4A0440-02</a>	1								
6a	Countersunk Screw	5x20, SS	<a href="#">7C42-0520</a>	2								
7	Left Hinge Spring Cartridge		<a href="#">4A0438-02</a>	1								
7a	Countersunk Screw	5x20, SS	<a href="#">7C42-0520</a>	2								
8	Door Lock Tumbler (includes Key <a href="#">4A0460-01</a> )		<a href="#">4A0462-01</a>	1								
9	Door Lock Washer		<a href="#">4A0670-01</a>	1								
10	Door Lock Stop Washer		<a href="#">4A0458-01</a>	1								
11	Door Lock Cam		<a href="#">4A0228-01</a>	1								
12	Door Lock Lock Washer		<a href="#">4A0459-01</a>	1								
13	Door Lock Screw		<a href="#">4A0461-01</a>	1								
14	Female Left Hinge Bottom Plate		<a href="#">4A0441-02</a>	1								
14a	Stop Plate Screw		<a href="#">4A0483-01</a>	1								
15	Lower Left (LL) Door Hinge Bracket		<a href="#">3A1627-01</a>	1								
15a	Countersunk Screw	5x20, SS	<a href="#">7C42-0520</a>	3								
16	Hinge Bushing Cover		<a href="#">4A0445-01</a>	1								
17	Upper Left (UL) Door Hinge Bracket		<a href="#">3A1581-01</a>	1								
17a	Countersunk Screw	5x20, SS	<a href="#">7C42-0520</a>	3								
18	Hinge Lock Washer		<a href="#">4A0553-01</a>	1								
19	Top Hinge Pivot Pin		<a href="#">4A2179-01</a>	1								
20	Hinge Stop Pin		<a href="#">4A2180-01</a>	1								
21	Hinge Tension Screw		<a href="#">4A0446-01</a>	1								
22	Truss Head Screw (filler)	5x10, SS	<a href="#">7C32-0510</a>	6								

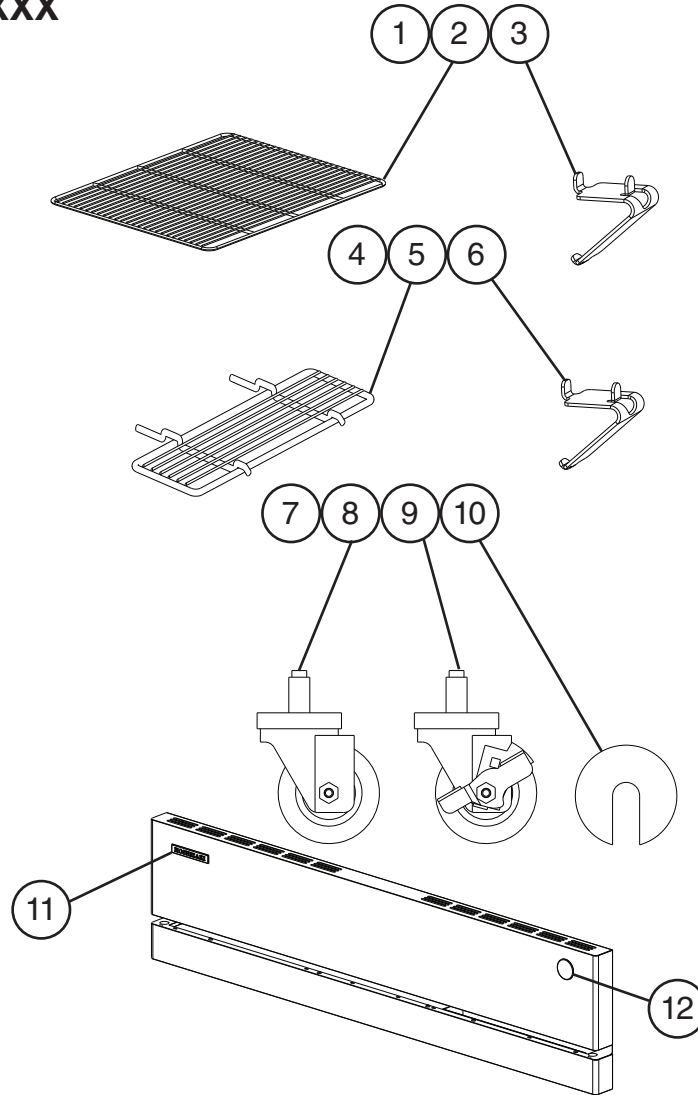
**E. Door-Left Hinged**  
**Half Solid: PTR2SSE-HSHS**  
 C-5, D-5



Title: E. Door-Left Hinged Model: Half Solid: PTR2SSE-HSHS												
Index No.	Description	Material or Model Number	Part Number	Required Number								
				C-5 D-5								
1	Upper Left/Lower Right Half Door Subassembly (includes half the quantity of items 3-8a)		2A6552G01	1								
2	Lower Left/Upper Right Half Door Subassembly (includes half the quantity of items 3-8a)		2A6553G01	1								
3	Door Gasket		2A5192-08	2								
4	Locking Hole Plug		4A0586-06	2								
5	Foam Pad		4A2257-01	4								
6	Left Hinge Bottom Bushing		4A0439-02	2								
7	Male Left Hinge Bottom Plate		4A0440-02	2								
7a	Countersunk Screw	5x20, SS	7C42-0520	4								
8	Left Hinge Spring Cartridge		4A0438-02	2								
8a	Countersunk Screw	5x20, SS	7C42-0520	4								
9	Door Lock Tumbler (includes Key 4A0460-01)		4A0462-01	2								
10	Door Lock Washer		4A0670-01	2								
11	Door Lock Stop Washer		4A0458-01	2								
12	Door Lock Cam		4A0228-01	2								
13	Door Lock Lock Washer		4A0459-01	2								
14	Door Lock Screw		4A0461-01	2								
15	Female Left Hinge Bottom Plate		4A0441-02	2								
15a	Stop Plate Screw		4A0483-01	2								
16	Upper Left (UL) Door Hinge Bracket		3A1581-01	1								
16a	Countersunk Screw	5x20, SS	7C42-0520	9								
17	Hinge Bushing Cover		4A0445-01	2								
18	Upper Right (UR) Door Hinge Bracket		3A1580-01	1								
18a	Countersunk Screw	5x20, SS	7C42-0520	9								
19	Hinge Lock Washer		4A0553-01	2								
20	Top Hinge Pivot Pin		4A2179-01	1								
21	Hinge Stop Pin		4A2180-01	1								
22	Lower Left (LL) Door Hinge Bracket		3A1627-01	1								
22a	Countersunk Screw	5x20, SS	7C42-0520	3								
23	Hinge Tension Screw		4A0446-01	2								
24	Pivot Pin		4A1735-01	1								
25	Stop Pin		4A1734-01	1								
26	Truss Head Screw (filler)	5x10, SS	7C32-0510	9								



**F. Accessories & Labels**  
**PTR2SSE-XXXX**  
 A-5 to D-5



Title: F. Accessories & Labels Model: PTR2SSE-XXXX					Required Number												
Index No.	Description	Material or Model Number	Part Number	A-5 to D-5													
1	Shelf Kit (3 Pack) (includes items 2 and 3)	HS-3508	3A1416A03	2													
2	Shelf		3A1387-01	6													
3	Shelf Clip		428957-01	24													
4	Center Shelf Kit (3 Pack) (includes items 5 and 6)	HS-3510	3A4451A01	1													
5	Center Shelf		2A1579-01	3													
6	Shelf Clip		428957-01	3													
7	Caster Kit (includes two each of items 8 and 9)	HS-3546	4A4712G01	1													
8	Caster		4A1347-01	2													
9	Brake Caster		4A1347-02	2													
10	Caster Shim Kit	HS-3590	4A3659A01	1													
11	Emblem		4A0560-01	2													
12	Penguin Label		456246-02	2													