



HOSHIZAKI

Parts List

Professional Series
Refrigerated Kitchen Equipment

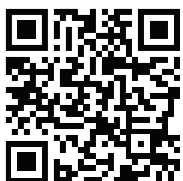
Models

RH1-SSB

RH2-SSB

RH3-SSB

Full Solid, Half Solid (HD)



hoshizakiamerica.com

Number: 71225
Issued: 3-8-1999
Revised: 10-25-2016

CONTENTS

Auxiliary Codes.....	3
Note About Ordering Parts	4
A. Main Assembly	5
RH1-SSB(-HD)	5
RH2-SSB(-HD).....	7
RH3-SSB(-HD).....	10
B. Refrigeration Circuit.....	13
RH1-SSB(-HD)	13
RH2-SSB(-HD).....	16
RH3-SSB(-HD).....	19
C. Control Box Assembly	22
RH1-SSB(-HD)	22
RH2-SSB(-HD).....	23
RH3-SSB(-HD).....	24
D. Door-Right Hinged.....	25
Full Solid: RH_ -SSB	25
Half Solid: RH2-SSB-HD, RH3-SSB-HD	27
E. Door-Left Hinged	29
Full Solid: RH_ -SSB	29
Half Solid: RH_ -SSB-HD	31
F. Accessories & Labels.....	33

Auxiliary Codes

RH1-SSB

H-0 July 1998
J-0 December 1998
J-1 October 1999
L-5 January 2001
M-5 December 2001
M-6 October 2002
N-5 December 2002
N-6 January 2003
N-7 October 2003
P-5 December 2003
Q-5 December 2004
R-5 December 2005
S-5 April 2007
T-5 February 2008
T-6 November 2008
U-5 October 2009
V-5 October 2010
A-5 January 2011
B-5 January 2012
C-5 April 2013
D-5 January 2014
E-5 April 2015

RH2-SSB

H-0 July 1998
J-0 December 1998
J-1 October 1999
L-5 January 2001
M-5 December 2001
M-6 August 2002
N-5 December 2002
N-6 January 2003
P-5 January 2004
Q-5 December 2004
R-5 January 2006
R-6 August 2006
S-5 January 2007
T-5 January 2008
T-6 August 2006
U-5 January 2009

RH1-SSB-HD

H-0 September 1998
J-0 March 1999
J-1 October 1999
M-5 July 2002
M-6 August 2002
N-5 December 2002
N-6 February 2003
P-5 February 2004
Q-5 December 2004
R-5 January 2006
S-5 January 2007
U-5 February 2009

RH2-SSB-HD

H-0 September 1998
J-0 March 1999
J-1 October 1999
M-5 May 2002
N-6 February 2003
P-5 January 2004
Q-5 February 2005
R-5 December 2005
R-6 August 2006
S-5 January 2007
U-5 March 2009

RH3-SSB

H-0 June 1998
J-0 December 1998
J-1 October 1999
L-5 March 2001
M-5 December 2001
M-6 September 2002
N-5 December 2002
N-6 April 2003
P-5 January 2004
Q-5 January 2005
R-5 December 2005
S-5 February 2007
T-6 September 2008
U-5 March 2009

RH3-SSB-HD

J-0 February 1999
J-1 October 1999

Auxiliary Code Breakdown

The auxiliary code is the first two characters in the serial number. The first character indicates the year. Years progress or regress in alphabetical order. The series runs from "A" through "V" and the letters "I" and "O" are skipped. The second character indicates significant part changes within a year. Base is "5" and this number advances for each change.

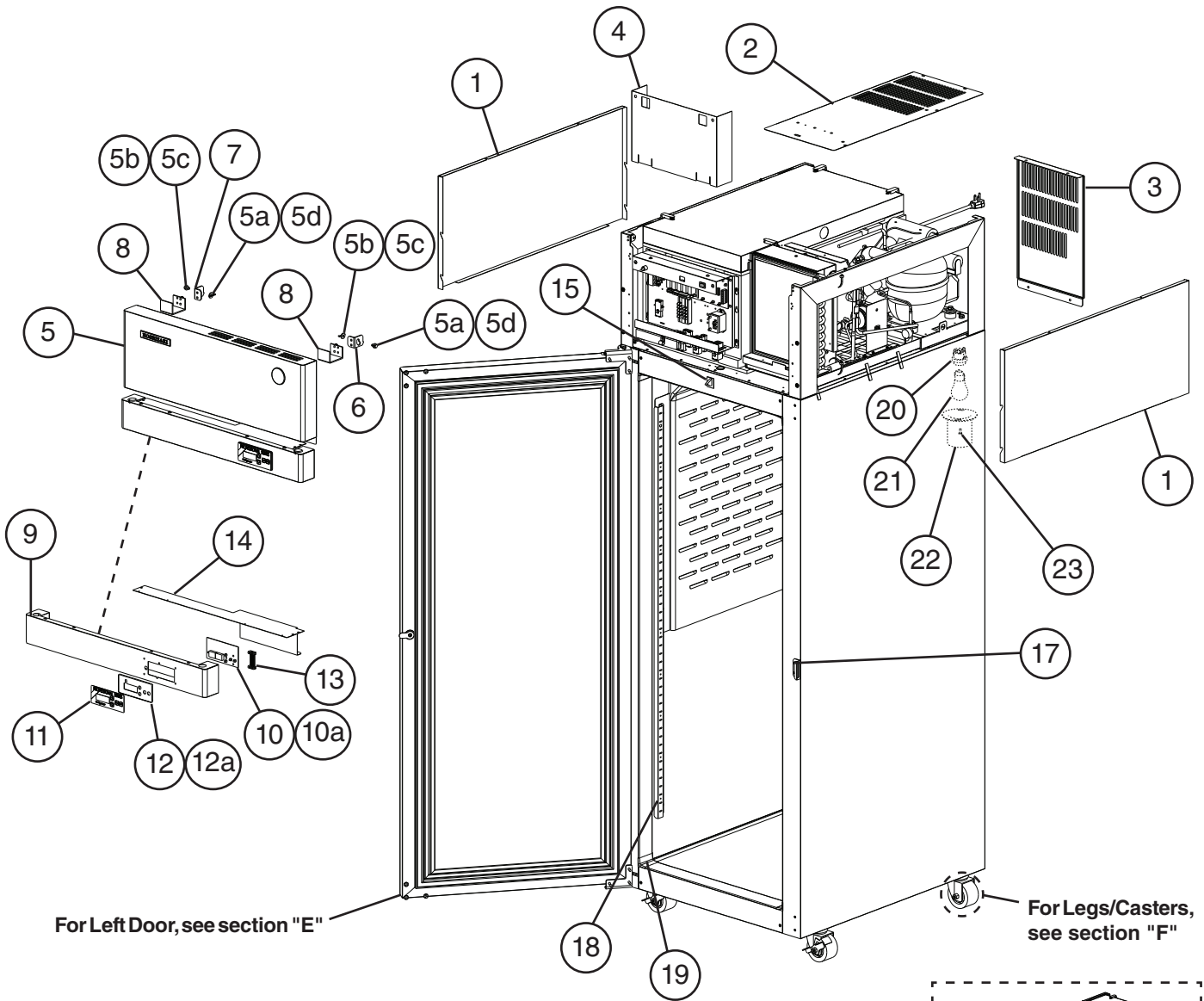
Note About Ordering Parts

Most assemblies cannot be ordered as complete units; parts in the assemblies generally must be ordered separately.

A. Main Assembly

RH1-SSB(-HD)

H-0 to E-5

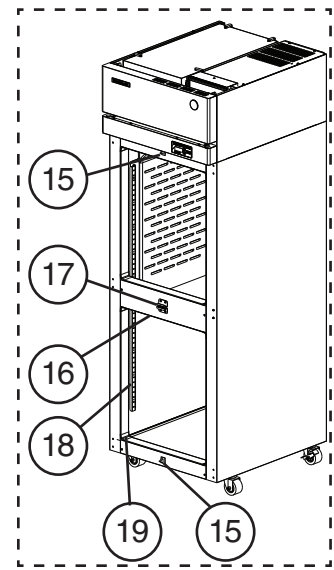
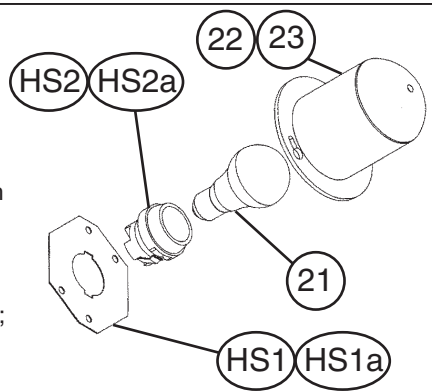


M-5 and Earlier

The santoprene light socket was changed to a porcelain lampholder at M-6. This change is non-interchangeable. If the light socket is not operating on a unit with a santoprene light socket, Hoshizaki recommends replacement with [HS-3554 - Lampholder Conversion Kit](#).

Note:

Parts 21, 22 and 23 are not included in HS-3554; they are shown for reference only.

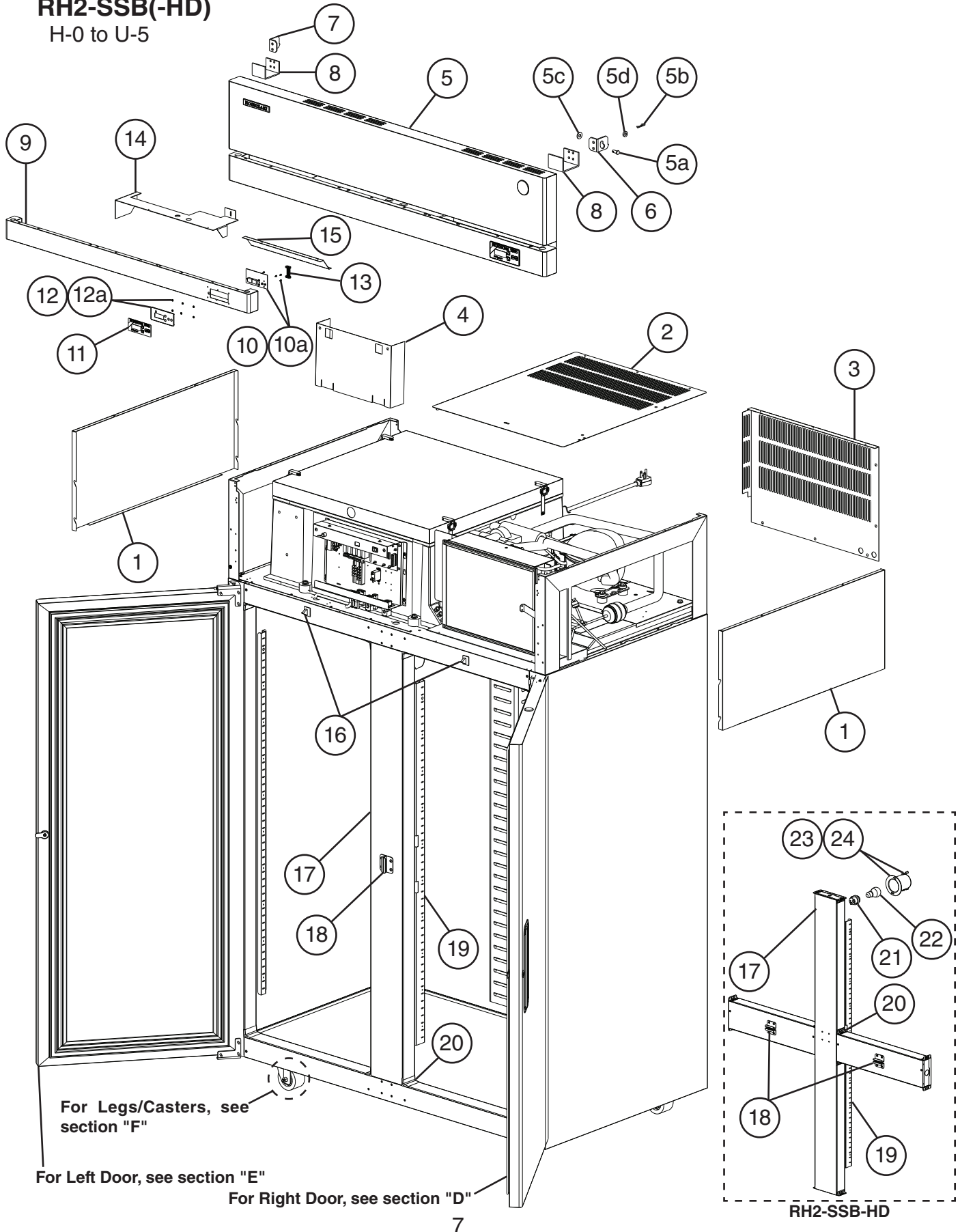


RH1-SSB(-HD)

Title: A. Main Assembly Model: RH1-SSB(-HD)												
Index No.	Description	Material or Model Number	Part Number	Required Number								
				H-0 to K-0	L-5 to N-5	N-6 to T-6	U-5	V-5 to E-5				
1	Side Panel	HS-3524	2A0615-02	2	-							
			2A1800-01		2	2	2	2				
2	Top Cover		2A1305G01	1	1	-						
			3A4504G01			1	1	1				
3	Rear Cover		2A4261-01	1	1	1	1	1				
4	Control Box Cover		2A1031-01	1	1	1	1	1				
5	Front Panel		1A0624-01	1	1	1	1	1				
5a	Clevis Pin		8907-0102		2	2	2	2				
5b	Cotter Pin		8907-0103		2	2	2	2				
5c	Flat Washer		4A0665-03		2	2	2	2				
5d	Hinge Spacer		4A2473-01		2	2	2	2				
6	Front Panel Right Hinge		4A2154-01		1	1	1	1				
7	Front Panel Left Hinge		4A2153-01		1	1	1	1				
8	Hinge Channel		4A2170-01		2	2	2	2				
9	Control Panel		1A0760-01	1	1	1	1	1				
10	Display Board		2A0883-01	1	1	1	1	1				
10a	Palnut		4A1398-01	6	6	6	6	6				
11	Display Label		3A2850-01	1	1	1	1	-				
			3A5788-01					1				
12	Display Board Mount		3A0823-01	1	1	1	1	1				
12a	Nylon Screw		4A1397-01	4	4	4	4	4				
13	Ribbon Cable	L=610 mm	4A1106-01	1	1	1	1	1				
14	Control Panel Cover		2A0133-01	1	1	1	1	1				
15	Door Switch	Full Door	3A1826-01	1	1	1	1	1				
		Half Door		2	2	2	2	-				
16	Horizontal Mullion (includes item 17)	Half Door	2A1313G01	1	1	1	-					
			2A3917G01				1	-				
17	Strike Plate	Full Door	4A4587-01	1	1	1	1	1				
		Half Door		2	2	2	2	-				
18	Pilaster		3A0145-01	4	4	4	4	4				
19	Corner Cover	Full Door	3A1751-01	4	4	4	4	4				
		Half Door		8	8	8	8	-				
20	Lampholder		4A2862-01	M-5 and earlier - see table below		1	1	1				
21	Light Bulb		4A2420-01			1	1	1				
22	Light Shield		4A0465-01			1	1	1				
23	Cheese Head Screw	5x12, SS	7C52-0512			2	2	2				

HS-3554-Lampholder Conversion Kit												
Index No.	Description	Material or Model Number	Part Number	Required Number								
				M-5 and earlier								
HS1	Lampholder Mount Plate	SS	4A2880-01	1								
HS1a	Cheese Head Screw	SS	7C52-0512	2								
HS2	Lampholder		4A2862-01	1								
HS2a	Flag Terminal	DNFR18-250FIBK	8101-18FJ	2								

A. Main Assembly
RH2-SSB(-HD)
 H-0 to U-5



For Legs/Casters, see section "F"

For Left Door, see section "E"

For Right Door, see section "D"

RH2-SSB-HD

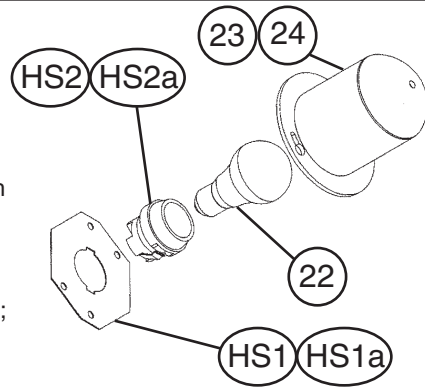
Title: A. Main Assembly Model: RH2-SSB(-HD)													
Index No.	Description	Material or Model Number	Part Number	Required Number									
				H-0 to K-0	L-5 to M-5	M-6 to T-5	T-6 to U-5 (H)	U-5 (J)					
1	Side Panel	HS-3524	2A0615-02	2	-								
			2A1800-01		2	2	2	2					
2	Top Cover		2A1118-02	1	1	1	2	2					
3	Rear Cover		2A1117-01	1	1	1	1	1					
4	Control Box Cover		2A1031-01	1	1	1	1	1					
5	Front Panel		1A0040-01	1	-								
			1A0624-02		1	1	1	1					
5a	Clevis Pin		8907-0102		2	2	2	2					
5b	Cotter Pin		8907-0103		2	2	2	2					
5c	Flat Washer		4A0665-03		2	2	2	2					
5d	Hinge Spacer		4A2473-01		2	2	2	2					
6	Front Panel Right Hinge		4A2154-01		1	1	1	1					
7	Front Panel Left Hinge		4A2153-01		1	1	1	1					
8	Hinge Channel		4A2170-01		2	2	2	2					
9	Control Panel	Solid Door	1A0835-01	1	1	1	1	1					
10	Display Board		2A0883-01	1	1	1	1	1					
10a	Palnut		4A1398-01	6	6	6	6	6					
11	Display Label		3A2850-01	1	1	1	1	-					
			3A5788-01						1				
12	Display Board Mount		3A0823-01	1	1	1	1	1					
12a	Nylon Screw		4A1397-01	4	4	4	4	4					
13	Ribbon Cable	L=610 mm	4A1106-01	1	1	1	1	1					
14	Control Panel Cover		2A0133-01	1	1	1	1	1					
15	Display Board Cover		3A1046-01	1	1	1	1	1					
16	Door Switch	Full Door	3A1826-01	2	2	2	2	2					
		Half Door		4	4	4	4	4					
17	Vertical Mullion (includes item 18)	Full Door	2A1289A01	1	1	1	-						
			2A4211G01				1	1					
	Cross Mullion (includes item 18)	Half Door	2A1350A01	1	1	1	-						
			2A4254G01				1	1					
18	Strike Plate	Full Door	4A4587-01	2	2	2	2	2					
		Half Door		4	4	4	4	4					
19	Pilaster		3A0145-01	2	2	2	2	2					
20	Corner Cover	Full Door	3A1751-01	8	8	8	8	8					
		Half Door		16	16	16	16	16					
21	Lampholder		4A2862-01	M-5 and earlier - see table on next page		1	1	1					
22	Light Bulb		4A2420-01			1	1	1					
23	Light Shield		4A0465-01			1	1	1					
24	Cheese Head Screw	5x12, SS	7C52-0512			2	2	2					

M-5 and Earlier

The santoprene light socket was changed to a porcelain lampholder at M-6. This change is non-interchangeable. If the light socket is not operating on a unit with a santoprene light socket, Hoshizaki recommends replacement with **HS-3554 - Lampholder Conversion Kit..**

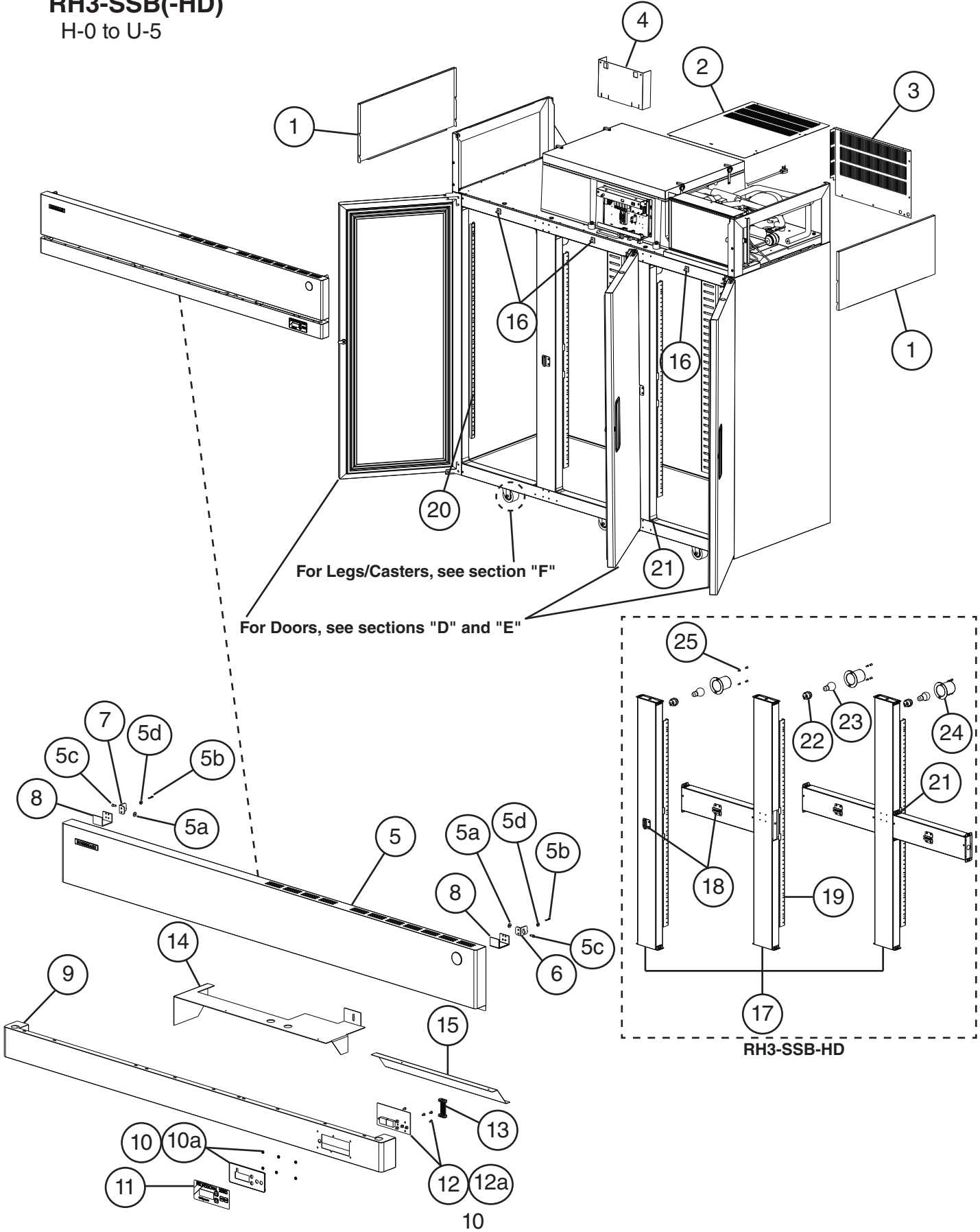
Note:

Parts 22, 23 and 24 are not included in HS-3554; they are shown for reference only.



HS-3554-Lampholder Conversion Kit					
Index No.	Description	Material or Model Number	Part Number	Required Number	
				M-5 and earlier	
HS1	Lampholder Mount Plate	SS	4A2880-01	1	
HS1a	Cheese Head Screw	SS	7C52-0512	2	
HS2	Lampholder		4A2862-01	1	
HS2a	Flag Terminal	DNFR18-250FIBK	8101-18FJ	2	

A. Main Assembly
RH3-SSB(-HD)
 H-0 to U-5



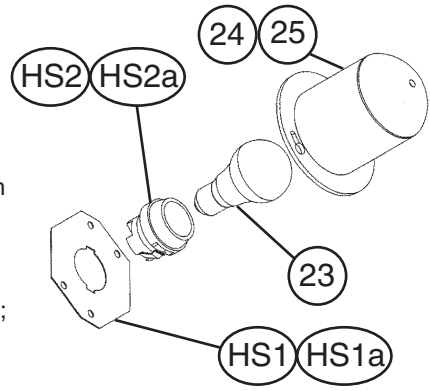
Title: A. Main Assembly Model: RH3-SSB(-HD)												
Index No.	Description	Material or Model Number	Part Number	Required Number								
				H-0 to K-0	L-5 to M-5	M-6 to T-5	T-6 to U-5					
1	Side Panel	HS-3524	2A0615-02	2	-							
			2A1800-01	2	2	2	2					
2	Top Cover		2A1118-02	1	1	1	1					
3	Rear Cover		2A1117-01	1	1	1	1					
4	Control Box Cover		2A1031-01	1	1	1	1					
5	Front Panel		1A0624-03		1	1	1					
5a	Clevis Pin		8907-0102		2	2	2					
5b	Cotter Pin		8907-0103		2	2	2					
5c	Flat Washer		4A0665-03		2	2	2					
5d	Hinge Spacer		4A2473-01		2	2	2					
6	Front Panel Right Hinge		4A2154-01		1	1	1					
7	Front Panel Left Hinge		4A2153-01		1	1	1					
8	Hinge Channel		4A2170-01		2	2	2					
9	Control Panel	Glass Door	1A0836-01	1	1	1	1					
10	Display Board		2A0883-01	1	1	1	1					
10a	Palnut		4A1398-01	6	6	6	6					
11	Display Label		3A2850-01	1	1	1	-					
			3A5788-01				1					
12	Display Board Mount		3A0823-01	1	1	1	1					
12a	Nylon Screw		4A1397-01	4	4	4	4					
13	Ribbon Cable	L=610 mm	4A1106-01	1	1	1	1					
14	Control Panel Cover		3A1066-01	1	1	1	1					
15	Display Board Cover		3A1060-01	1	1	1	1					
16	Door Switch	Full Door	3A1826-01	3	3	3	3					
		Half Door		6	6	6	-					
17	Vertical Mullion (includes item 18)	Full Door	2A1289A01	2	2	2	-					
			2A4211G01				2					
	Tee Mullion (includes item 18)	Half Door	2A1385A01	1	1	1	1					
	Cross Mullion (includes item 18)	Half Door	2A1350A01	1	1	1	1					
18	Strike Plate	Full Door	4A4587-01	4	4	4	4					
		Half Door		6	6	6	-					
19	Mullion Pilaster	Full Door	2A3246-01	2	2	2	2					
		Half Door		4	4	4	-					
20	Pilaster		3A0145-01	8	8	8	8					
21	Corner Bracket	Full Door	4A2655-01	8	8	8	8					
		Half Door		20	20	20	-					
22	Lampholder		4A2862-01	M-5 and earlier - see table on next page		2	2					
23	Light Bulb		4A2420-01			2	2					
24	Light Shield		4A0465-01			2	2					
25	Cheese Head Screw	5x12, SS	7C52-0512			4	4					

M-5 and Earlier

The santoprene light socket was changed to a porcelain lampholder at M-6. This change is non-interchangeable. If the light socket is not operating on a unit with a santoprene light socket, Hoshizaki recommends replacement with **HS-3554 - Lampholder Conversion Kit..**

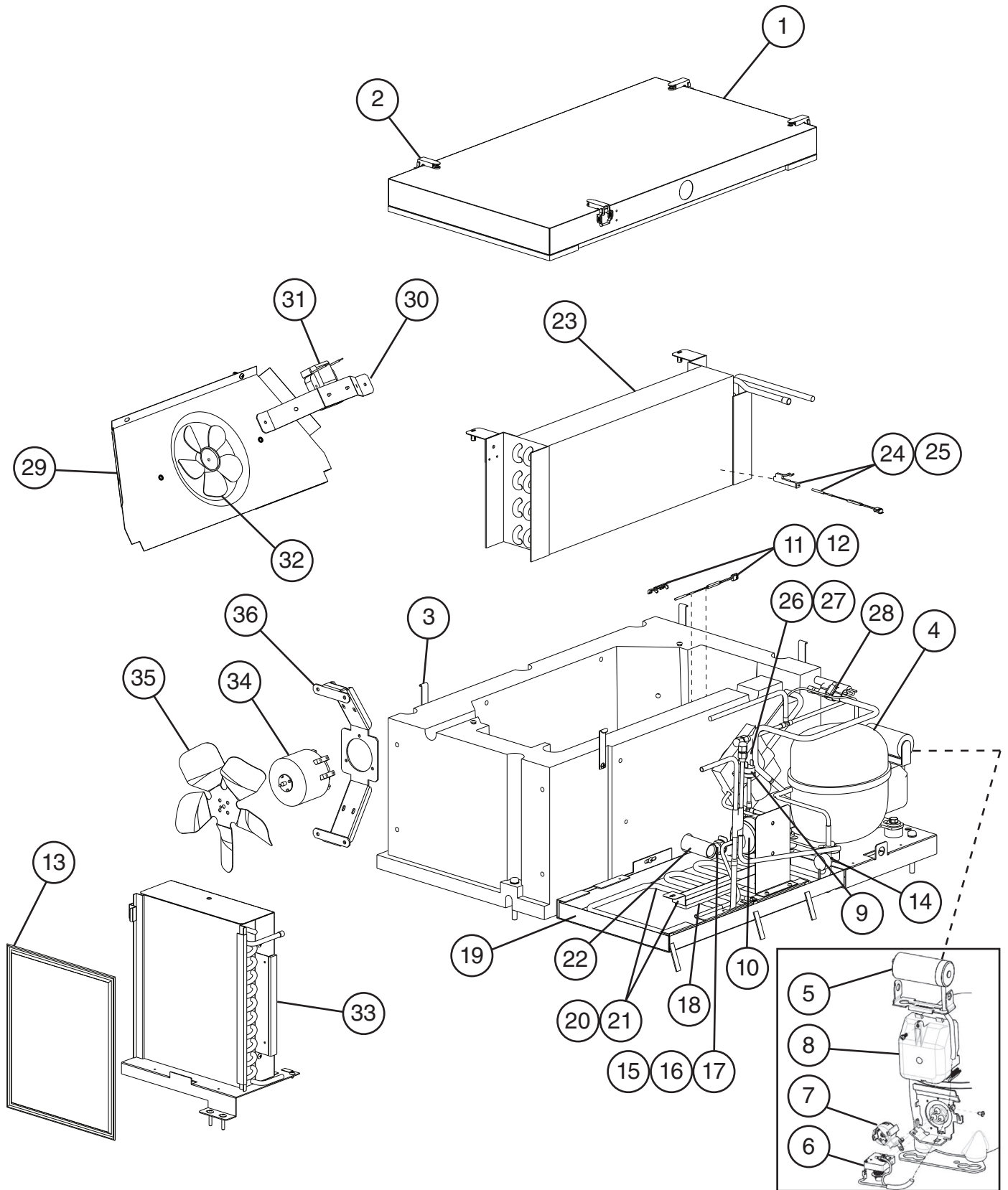
Note:

Parts 23, 24 and 25 are not included in HS-3554; they are shown for reference only.



HS-3554-Lampholder Conversion Kit					
Index No.	Description	Material or Model Number	Part Number	Required Number	
				M-5 and earlier	
HS1	Lampholder Mount Plate	SS	4A2880-01	1	
HS1a	Cheese Head Screw	SS	7C52-0512	2	
HS2	Lampholder		4A2862-01	1	
HS2a	Flag Terminal	DNFR18-250FIBK	8101-18FJ	2	

B. Refrigeration Circuit
RH1-SSB(-HD)
 H-0 to E-5



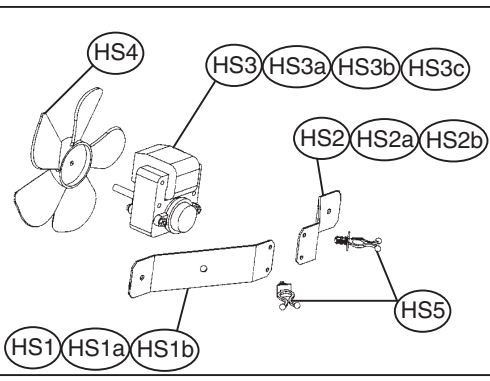
Title: B. Refrigeration Circuit Model: RH1-SSB(-HD)												
Index No.	Description	Material or Model Number	Part Number	Required Number								
				H-0 to J-2	K-0 L-5	M-5	N-6 to Q-5	R-5 to S-5	S-6 to B-5 (A)	B-5 (B) to E-5		
1	Evaporator Case Cover		2A0428G01	1	1	1	-					
			2A2726G01				1	1	1	-		
			2A4376G01								1	
2	Draw Latch		4A1710-01	4	4	4	4	-				
			4A3988-01					4	4	4		
3	Catch Latch		4A3987-01					4	4	4		
4	Compressor		2A1260-01	1	1	1	1	1	-			
			4A2343-01						1	1		
5	Start Capacitor		3A4044-01	1	1	1	1	1	-			
			4A2367-01						1	1		
6	Start Relay		3A4044-12	1	1	1	1	1	-			
			4A2368-01						1	1		
7	External Protector		4A1875-02	1	1	1	1	1	-			
			4A2499-02						1	1		
8	Compressor Cover		3A4044-05	1	1	1	1	1	-			
			4A2618-01						1	1		
9	High-Pressure Switch		3A0335-02	1	1	-						
			4A2516-02			1	1	1	1	1		
10	Drier		4A0924-01	1	1	1	1	1	1	1		
11	Cabinet Thermistor		4A1429-01	1	1	1	1	1	1	1		
12	Cabinet Thermistor Bracket		433920-01	1	1	1	1	1	1	1		
13	Condenser Filter		3A0277-01	1	1	1	1	1	1	1		
14	Clogged Filter Thermostat		4A0484-01	1	1	1	1	1	1	1		
15	Drain Overflow Fitting		4A0664-01	1	-							
			4A2182-01		1	1	1	1	1	1		
16	Drain Overflow Washer		4A0665-01	1	-							
	Rubber Gasket		413854-03		1	1	1	1	1	1		
17	Drain Fitting Nut		4A0666-01	1	-							
18	Condenser Coil Gasket		4A0455-03	1	1	1	1	1	1	1		
19	Evaporator Drain Pan		2A0616-01	1	-							
			2A0616-02		1	1	-					
			2A2760-01				1	1	1	1		
20	Condensate Coil Strap		3A0232-02	1	-							
			3A0232-03		1	1	1	1	1	1		
21	Condensate Coil		3A1644-01	1	1	1	1	1	1	1		
22	Evaporator Drain Pipe		4A0831-01	1	1	1	1	1	1	1		
Evaporator Assembly												
23	Evaporator		2A1262-01	1	1	1	1	1	1	1		
24	Defrost Thermistor		4A1428-01	1	1	1	1	1	1	1		
25	Thermistor Clip		320418-01	1	1	1	1	1	1	1		
26	Thermostatic Expansion Valve		4A1594-01	1	1	1	1	1	1	1		
27	Thermostatic Expansion Valve Cover		4A4646-01	1	1	1	1	1	1	1		
28	Thermostatic Expansion Valve Holder		3A0107-01	1	1	1	1	1	1	1		

Title: B. Refrigeration Circuit Model: RH1-SSB(-HD)											
Index No.	Description	Material or Model Number	Part Number	Required Number							
				J-0 to J-2	K-0 L-5	M-5	N-6 to Q-5	R-5 to S-5	S-6 to B-5 (A)	B-5 (B) to E-5	
Evaporator Fan Shroud Assembly											
29	Evaporator Shroud		2A0846-01 2A6650G01	Note: For auxiliary codes prior to M-6, order HS-3541 and replace parts 29-32.	1	1	1	-			
30	Evaporator Fan Motor Bracket		3A2501-01 3A6849-01		2	2	2	-			
31	Evaporator Fan Motor		4A2563-01 4A4942-01		1	1	1	-			
32	Evaporator Fan Blade		4A2378-01 4A5438-01		1	1	1	-			
								1			
									1		
Condenser Assembly											
33	Condenser		2A0623-01	1	1	1	1	1	1	1	
34	Condenser Fan Motor		4A0815-01	1	1	1	1	1	1	1	
35	Condenser Fan Blade		3A0436-01	1	1	1	1	1	1	1	
36	Condenser Fan Bracket		3A0457-01 3A1564-01	1	1	-					
						1	1	1	1	1	

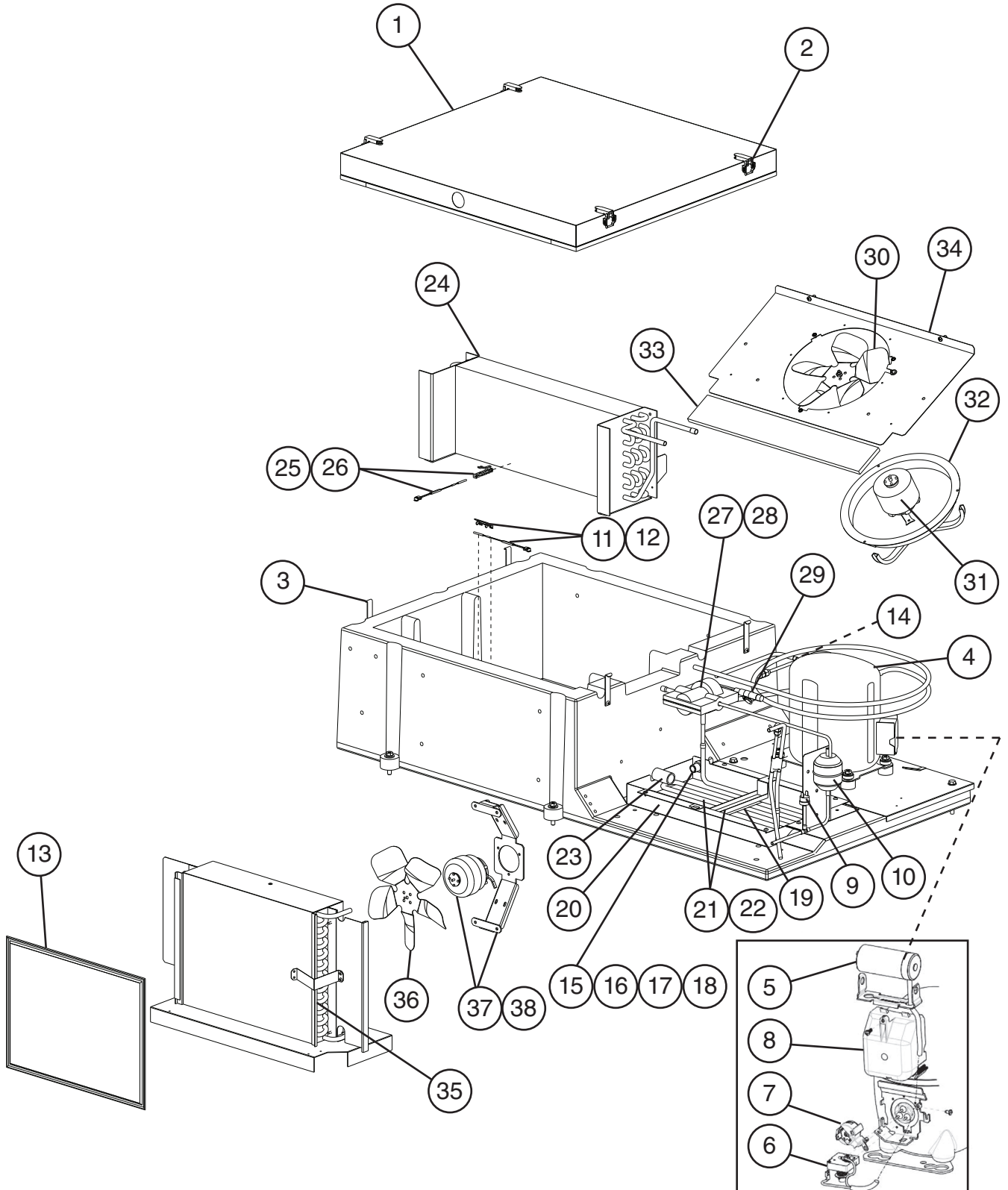
Note for Models Having Serial Number M5____B and Earlier

If your model falls into this time frame and you need to replace parts in the assembly, review the scenarios below and follow the appropriate solution.

- a. Unit's evaporator shroud has only two holes or has four holes but only the lower two holes are threaded.
Solution: Order **HS-3541** that contains a motor (Shinko), brackets, blade, and all fasteners required for mounting to the shroud using the existing threaded holes.
- b. Unit's evaporator shroud has four threaded holes and a Jakel motor.
Solution: Order a new motor (Shinko), brackets, fan blade, and all fasteners listed in the parts list above. Attach the brackets to the upper two holes on the shroud.

HS-3541-Shinko Fan Motor Conversion											
Index No.	Description	Material or Model Number	Part Number	Required Number							
				M5____B and earlier							
HS1	Left Fan Motor Bracket		3A2357-01	1							
HS1a	Truss Head Screw	5x12, SS	7C32-0512	1							
HS1b	Lock Washer		4A0459-01	1							
HS2	Right Fan Motor Bracket		3A2358-01	1							
HS2a	Truss Head Screw	5x12, SS	7C32-0512	1							
HS2b	Lock Washer		4A0459-01	1							
HS3	Evaporator Fan Motor	Shinko	4A2563-01	1							
HS3a	Truss Head Screw	4x40, SS	7C32-0440	4							
HS3b	Split Lock Washer	M4, SS	7L22-0400	4							
HS3c	Hex Nut	M4, SS	7N12-0400	4							
HS4	Evaporator Fan Blade		4A2378-01	4							
HS5	Wire Tie (Twist)		4A1223-01	2							

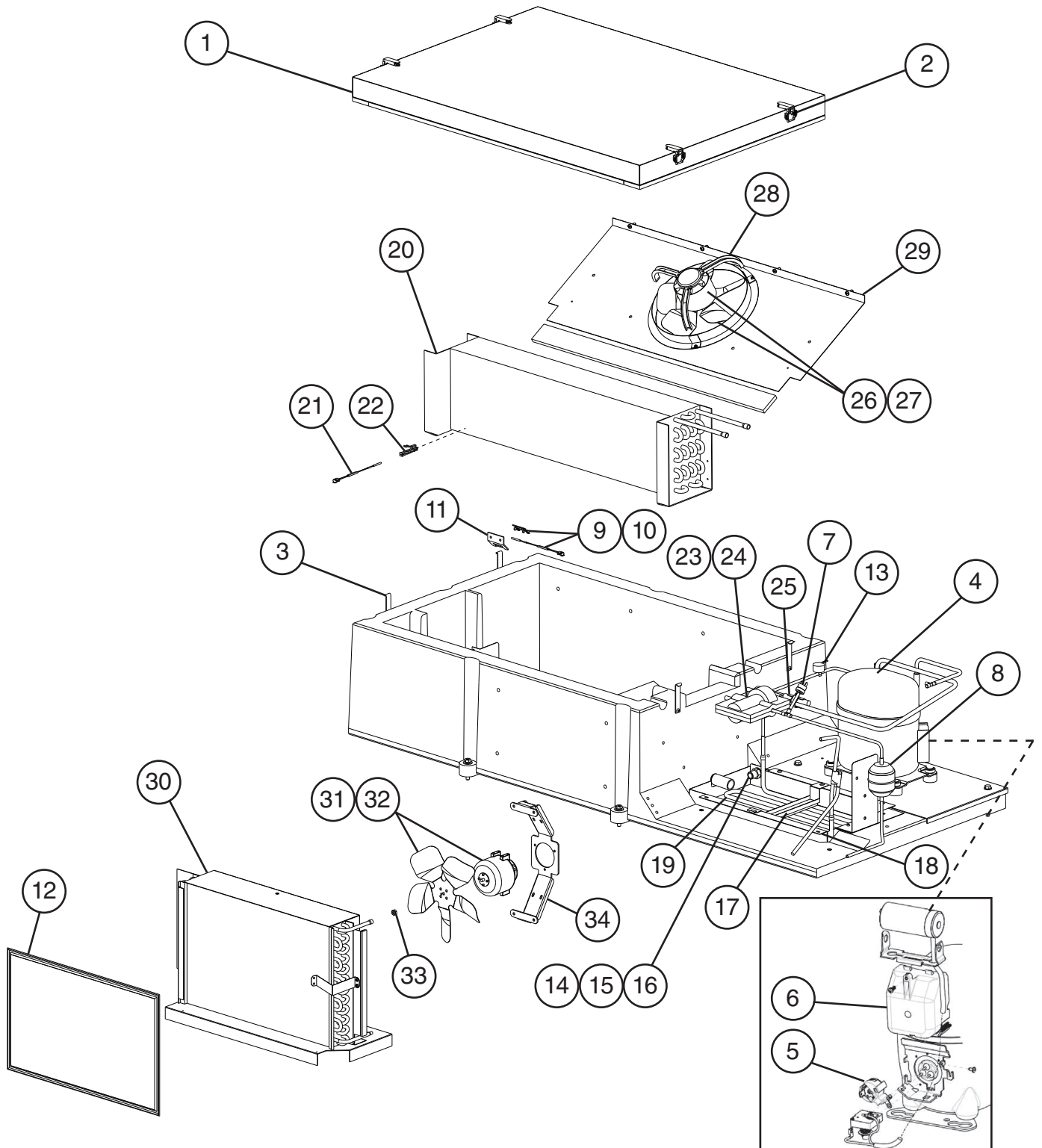
B. Refrigeration Circuit
RH2-SSB(-HD)
H-0 to U-5



Title: B. Refrigeration Circuit Model: RH2-SSB(-HD)												
Index No.	Description	Material or Model Number	Part Number	Required Number								
				J-0 to J-2	K-0 L-5	M-5	N-6 P-6	Q-5	R-5 to S-6	T-5 to U-5		
1	Evaporator Case Cover		2A0245G01	1	1	1	1	1	-			
			2A4736G01						1	1		
2	Draw Latch		4A1710-01	4	4	4	4	4	-			
			4A3988-01						4	4		
3	Catch Latch		4A3987-01						4	4		
4	Compressor		2A1295-01	1	1	1	1	1	1	1		
5	Start Capacitor		3A1142-01	1	1	1	1	1	1	1		
6	Start Relay		4A1709-01	1	1	1	1	1	1	1		
7	External Protector		4A2069-01	1	1	1	1	1	1	1		
8	Compressor Cover		3A4044-06	1	1	1	1	1	1	1		
9	High-Pressure Switch		3A0335-02	1	1	-						
			4A2516-02			1	1	1	1	1		
10	Drier		4A0924-01	1	1	1	1	1	1	1		
11	Cabinet Thermistor		4A1429-01	1	1	1	1	1	1	1		
12	Cabinet Thermistor Bracket		433920-01	1	1	1	1	1	1	1		
13	Condenser Filter		3A0277-02	1	1	1	1	1	1	1		
14	Clogged Filter Thermostat		4A0484-01	1	1	1	1	1	1	1		
15	Drain Overflow Fitting		4A0664-01	1	1	-						
			4A2182-01			1	1	1	1	1		
16	Drain Sealing Washer		4A0665-01	1	1	-						
	Rubber Gasket		413854-03			1	1	1	1	1		
17	Silicone Hose	L=350 mm	7730I3812								1	
18	Tubing Elbow		4A0711-01								1	
19	Condenser Coil Gasket		4A0455-03	1	1	1	1	1	1	1	1	
20	Evaporator Drain Pan		4A0679A02	1	-							
			4A0679A03		1	1	1	1	1	-		
			2A0200-02								1	
21	Condensate Coil Strap		3A0413-01	1	-							
			3A0413-03		1	1	1	1	1	1		
22	Condensate Coil		2A1856-01	1	1	1	1	1	1	1		
23	Evaporator Drain Pipe		3A0143-01	1	1	1	1	1	1	1		
Evaporator Assembly												
24	Evaporator		2A1382-01	1	1	1	1	1	1	1	1	
25	Defrost Thermistor		4A1428-01	1	1	1	1	1	1	1	1	
26	Thermistor Clip		320418-01	1	1	1	1	1	1	1	1	
27	Thermostatic Expansion Valve		4A1711-01	1	1	1	1	1	1	1	1	
28	Thermostatic Expansion Valve Cover		4A4646-01	1	1	1	1	1	1	1	1	
29	Thermostatic Expansion Valve Holder		3A0107-01	1	1	1	1	1	1	1	1	

Title: B. Refrigeration Circuit Model: RH2-SSB(-HD)												
Index No.	Description	Material or Model Number	Part Number	Required Number								
				J-0 to J-2	K-0 L-5	M-5	N-6 P-6	Q-5	R-5 to S-6	T-5 to U-5		
Evaporator Fan Shroud Assembly												
30	Evaporator Fan Blade		3A0436-01	1	1	1	1	1	1	1	1	
31	Evaporator Fan Motor		4A0413-01	1	1	1	1	1	1	1	1	
32	Evaporator Fan Orifice		4A0412-01	1	1	1	1	1	1	1	1	
33	Gasket	L=502 mm	4A0414L01	1	-							
			4A0414L03		1	1	1	1	1	1		
34	Evaporator Fan Shroud		1A0100-01	1	1	1	-					
			1A1274-03				1	1	1	1		
Condenser Assembly												
35	Condenser		2A0261-01	1	1	1	1	1	1	1	1	
36	Condenser Fan Blade		3A0436-01	1	1	1	1	1	1	1	1	
37	Condenser Fan Motor		4A0815-01	1	1	-						
			4A0408-01			1	1	1	1	1		
38	Condenser Fan Bracket		3A0457-01	2	-							
			3A1564-01		1	1	1	1	1	1		

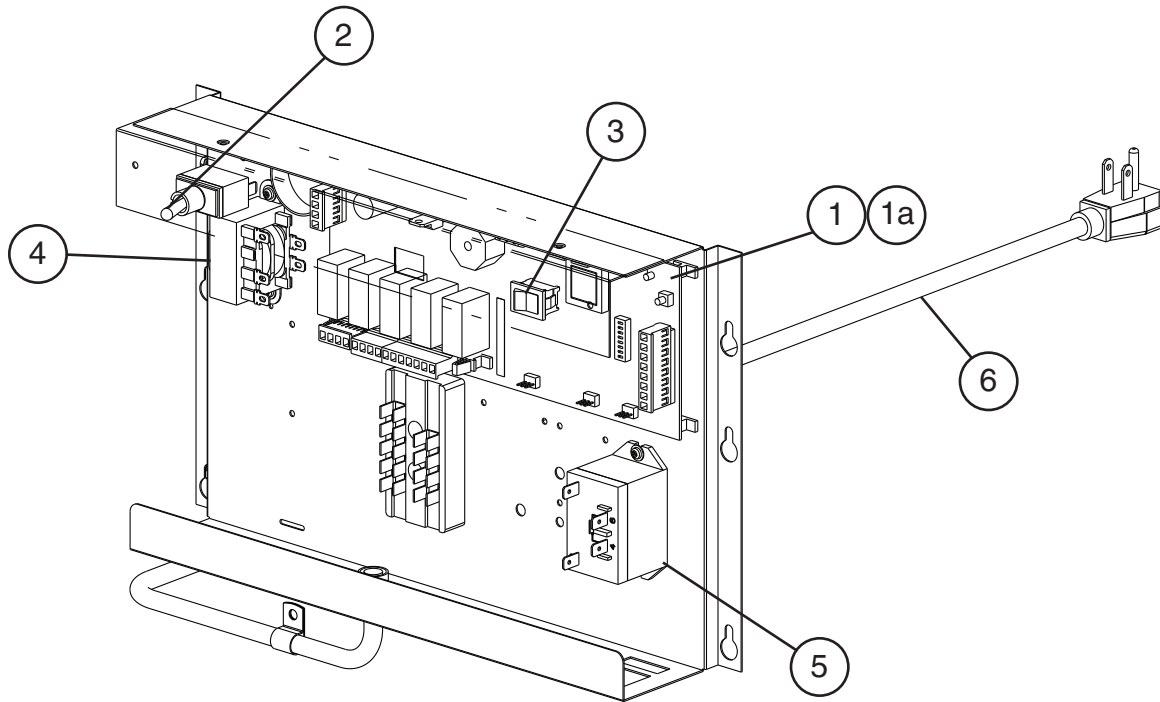
B. Refrigeration Circuit
RH3-SSB(-HD)
H-0 to U-5



Title: B. Refrigeration Circuit Model: RH3-SSB(-HD)												
Index No.	Description	Material or Model Number	Part Number	Required Number								
				H-0	J-0 J-1	K-0 L-5	M-5 to P-5	Q-5 to U-5				
1	Evap Case Cover		2A1086G01	1	1	1	1	1				
2	Draw Latch		4A1710-01		4	4	4	4				
3	Catch Latch		4A3987-01					4				
4	Compressor		4A1111-01	1	1	1	1	-				
			4A1812-01					1				
5	External Protector		4A1860-01					1				
6	Compressor Cover		3A4404-06					1				
7	High-Pressure Switch		3A0335-03	1	1	-						
			3A0335-02			1	-					
			4A2516-02				1	1				
8	Drier		4A0924-01	1	1	1	1	1				
9	Cabinet Thermistor		4A1429-02	1	1	1	1	1				
10	Thermistor Bracket (A)		433964-01	1	1	1	1	1				
11	Thermistor Bracket (B)		433920-01	1	1	1	1	1				
12	Condenser Filter		3A0277-03	1	1	1	1	1				
13	Clogged Filter Thermostat		4A0484-01	1	1	1	1	1				
14	Drain Overflow Fitting		4A0664-01	1	1	-						
			4A2182-01			1	1	1				
15	Drain Sealing Washer		4A0665-01	1	1	-						
	Rubber Gasket		413854-03			1	1	1				
16	Drain Fitting Nut		4A0666-01	1	1	-						
17	Condensate Coil Strap		3A0413-01	1	1	-						
			3A0413-03			1	1	1				
18	Evaporator Drain Pan		2A0200-01	1	1	-						
			2A0200-02			1	1	1				
19	Condensate Coil		2A1856-01				1	1				
Evaporator Assembly												
20	Evaporator		2A1159-01	1	1	1	1	1				
21	Defrost Thermistor		4A1428-02	1	1	1	1	1				
22	Thermistor Clip		320418-01	1	1	1	1	1				
23	Thermostatic Expansion Valve		4A1509-01	1	1	1	1	1				
24	Thermostatic Expansion Valve Cover		4A4646-01	1	1	1	1	1				
25	Thermostatic Expansion Valve Holder		3A0107-01	1	1	1	1	1				

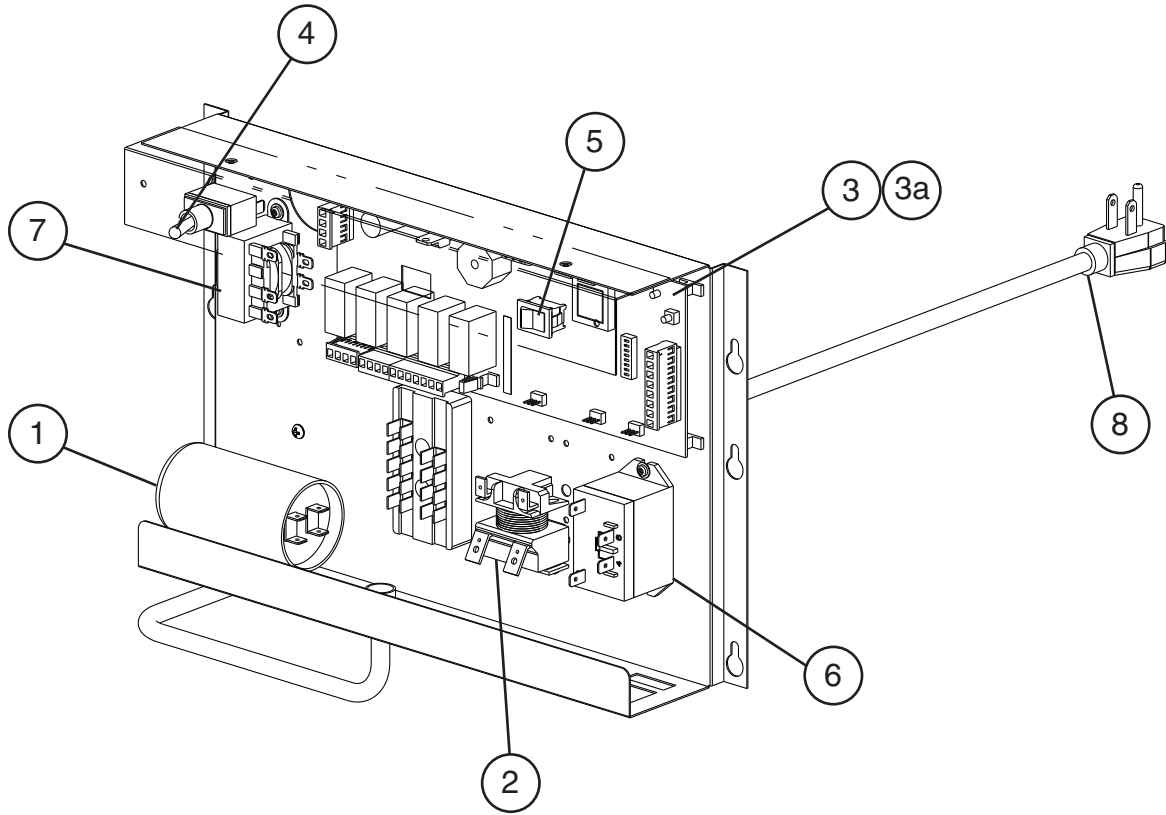
Title: B. Refrigeration Circuit Model: RH3-SSB(-HD)												
Index No.	Description	Material or Model Number	Part Number	Required Number								
				H-0	J-0 J-1	K-0 L-5	M-5 to P-5	Q-5 to U-5				
Evaporator Fan Shroud Assembly												
26	Evaporator Fan Blade		3A0438-01	1	1	1	1	1				
27	Evaporator Fan Motor		4A0413-01	1	1	1	1	1				
28	Evaporator Fan Orifice		4A0412-01	1	1	1	1	1				
29	Evaporator Fan Shroud		1A0248-01	1	1	1	1	1				
Condenser Assembly												
30	Condenser		2A1166-01	1	1	1	1	1				
31	Condenser Fan Motor		4A0815-01	1	1	1	1	1				
32	Condenser Fan Blade		3A0436-01	1	1	1	1	1				
33	Hex Nut		4A1345-01	1	1	1	1	1				
34	Condenser Fan Bracket		3A0457-01	1	1	-						
			3A1564-01			1	1	1				

C. Control Box Assembly
RH1-SSB(-HD)
 H-0 to E-5



Title: C. Control Box Assembly		Model: RH1-SSB(-HD)		Required Number							
Index No.	Description	Material or Model Number	Part Number	H-0 to Q-5	R-5 to B-5 (E)	B-5 (F) to E-5					
				1	Control Board		2A2862-24	1	1	1	
1a	Control Board Support		4A0336-03	6	6	6					
2	Perimeter Heater Switch		4A0424-01	1	1	1					
3	Power Switch		4A0418-01	1	1	1					
4	Control Transformer		3A0172-01	1	-						
			3A1759-01		1	1					
5	Compressor Relay	120VAC	4A1307-01	1	1	-					
			4A3140-01			1					
6	Power Supply Cord		4A0520-01	1	1	1					

C. Control Box Assembly
RH2-SSB(-HD)
 H-0 to U-5

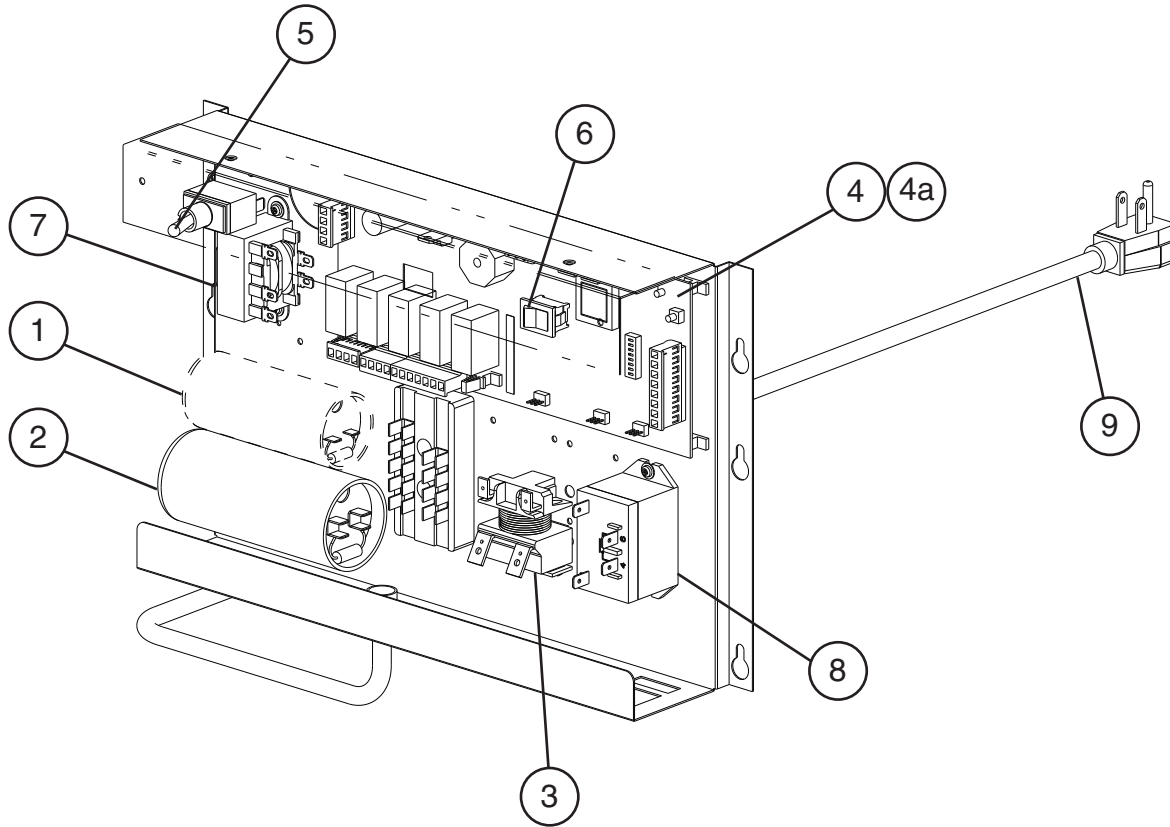


Title: C. Control Box Assembly Model: RH2-SSB(-HD)				Required Number									
Index No.	Description	Material or Model Number	Part Number	H-0 to Q-5	R-5 to U-5								
1	Start Capacitor	161-193 MFD, 165VAC	3A1142-01	1	1								
2	Start Relay		4A1709-01	1	1								
3	Control Board		2A2862-24	1	1								
3a	Control Board Support		4A0336-03	6	6								
4	Perimeter Heater Switch		4A0424-01	1	1								
5	Power Switch		4A0418-01	1	1								
6	Control Transformer		3A0172-01	1	-								
			3A1759-01		1								
7	Compressor Relay		4A1307-01	1	1								
8	Power Supply Cord		4A0520-01	1	1								

C. Control Box Assembly

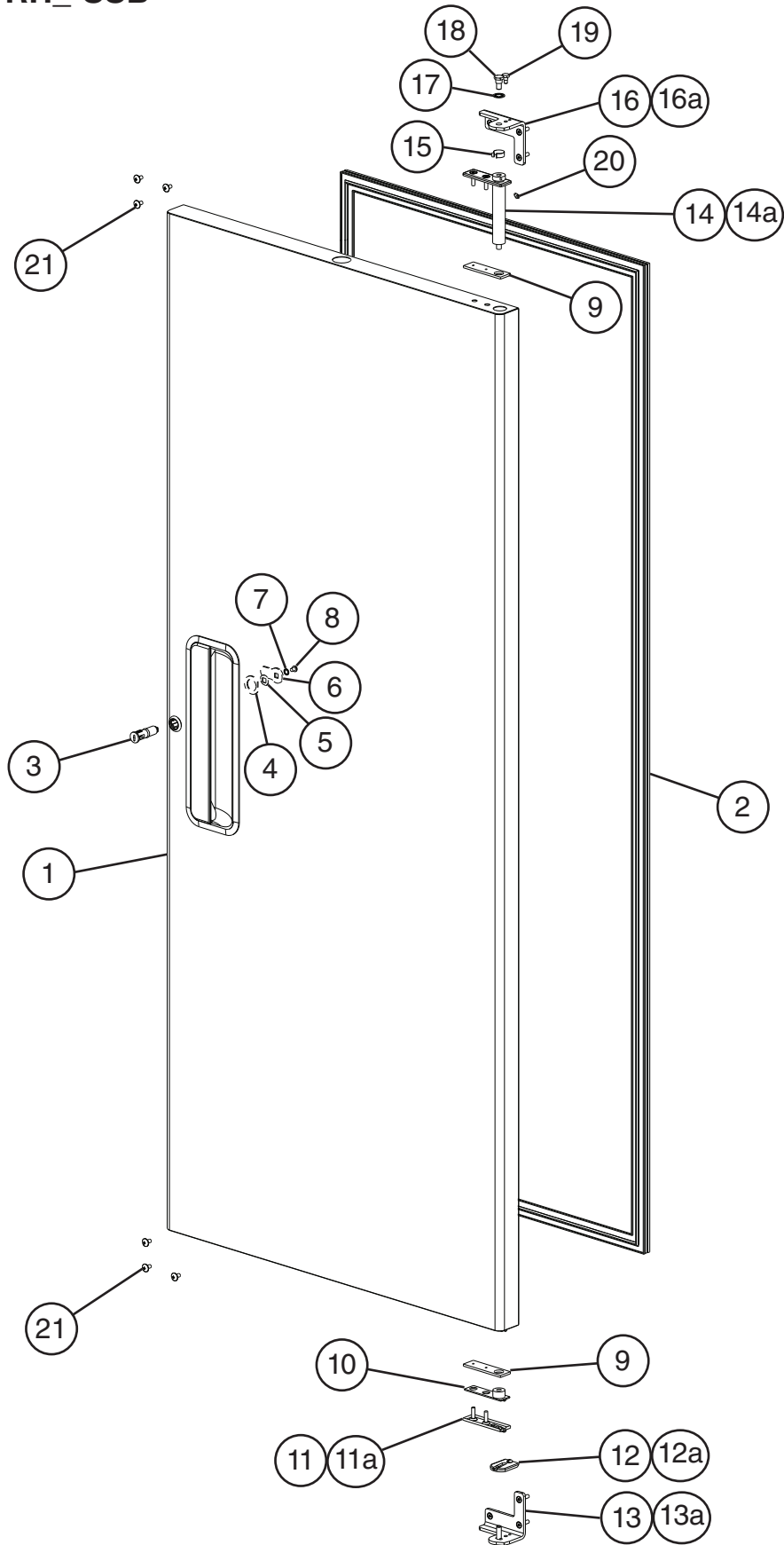
RH3-SSB(-HD)

H-0 to U-5



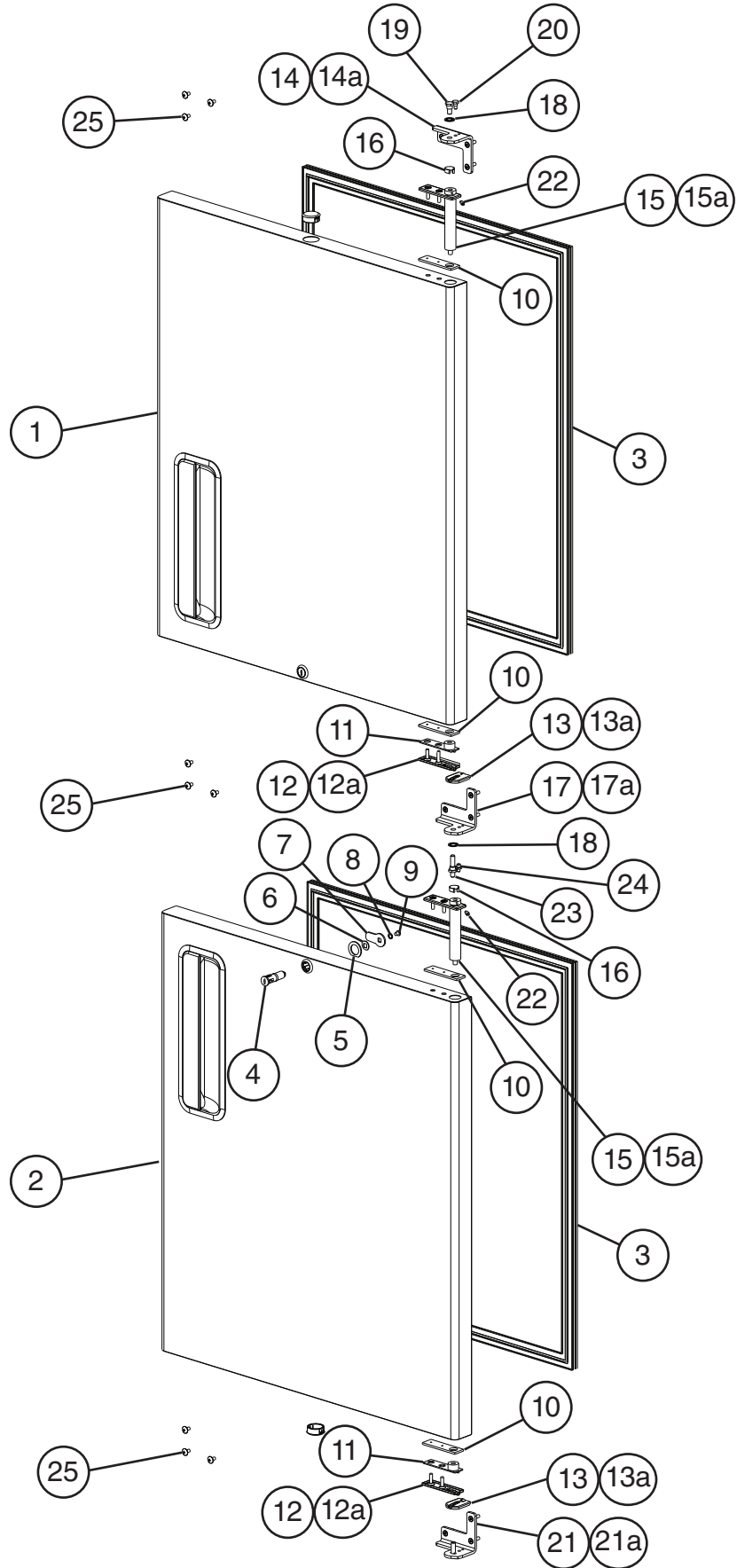
Title: C. Control Box Assembly Model: RH3-SSB(-HD)				Required Number								
Index No.	Description	Material or Model Number	Part Number	H-0 to K-0	L-5	M-5 to U-5						
1	Run Capacitor	15 MFD, 440VAC	439943-07	1	1	-						
2	Start Capacitor	43-52 MFD, 330VAC	3A0076-09	1	1	-						
		378-454 MFD, 125VAC	3A0076-16			1						
3	Start Relay		434172-05	1	-							
			4A1107-12		1	-						
			4A1709-01				1					
4	Control Board		2A2862-21	1	1	1						
4a	Control Board Support		4A0336-03	6	6	6						
5	Power Switch		4A0424-01	1	1	1						
6	Perimeter Heater Switch		4A0418-01	1	1	1						
7	Control Transformer		3A0172-01	1	-							
			3A1759-01		1	1						
8	Compressor Relay	120VAC	4A1307-01	1	1	1						
9	Power Supply Cord		4A0520-01	1	1	1						

D. Door-Right Hinged
Full Solid: RH_-SSB
H-0 to E-5



Title: D. Door-Right Hinged Model: Full Solid: RH_-SSB											
Index No.	Description	Material or Model Number	Part Number	Required Number							
				H-0 to K-0	L-5 to M-6	N-5 to A-5 (H)	A-5 (J) to E-5				
1	Right Solid Door (includes item 2)	HS-3200	1A0318A03	1	1	1	-				
			2A6545G01				1				
2	Door Gasket		3A0273-01	1	1	1	-				
			2A5192-07				1				
3	Door Lock Tumbler (includes Key 4A0460-01)		4A0462-01	1	1	1	1				
4	Door Lock Washer		4A0670-01	1	1	1	1				
5	Door Lock Stop Washer		4A0458-01	1	1	1	1				
6	Door Lock Cam		4A0228-01	1	1	1	1				
7	Door Lock Lock Washer		4A0459-01	1	1	1	1				
8	Door Lock Screw		4A0461-01	1	1	1	1				
9	Foam Pad		4A2257-01	2	2	2	2				
10	Right Hinge Bottom Bushing		4A0439-01	1	1	1	1				
11	Male Right Hinge Bottom Plate		4A0440-01	1	1	1	1				
11a	Countersunk Screw	5x20, SS	7C42-0520	2	2	2	2				
12	Female Right Hinge Bottom Plate		4A0441-01	1	1	1	1				
12a	Stop Plate Screw		4A0483-01	1	1	1	1				
13	Lower Right (LR) Door Hinge Bracket		3A1626-01	1	1	1	1				
13a	Countersunk Screw	5x20, SS	7C42-0520	3	3	3	3				
14	Right Hinge Spring Cartridge		4A0438-01	1	1	1	1				
14a	Countersunk Screw	5x20, SS	7C42-0520	2	2	2	2				
15	Hinge Bushing Cover		4A0445-01	1	1	1	1				
16	Upper Right (UR) Door Hinge Bracket		3A1580-01	1	1	1	1				
16a	Countersunk Screw	5x20, SS	7C42-0520	3	3	3	3				
17	Hinge Lock Washer		4A0553-01	1	1	1	1				
18	Top Hinge Pivot Pin		4A0442-01	1	-						
			4A2179-01		1	1	1				
19	Hinge Stop Pin		4A0444-01	1	-						
			4A2180-01		1	1	1				
20	Hinge Tension Screw		4A0446-01	1	1	1	1				
21	Truss Head Screw (filler)	5x10, SS	7C32-0510	6	6	6	6				

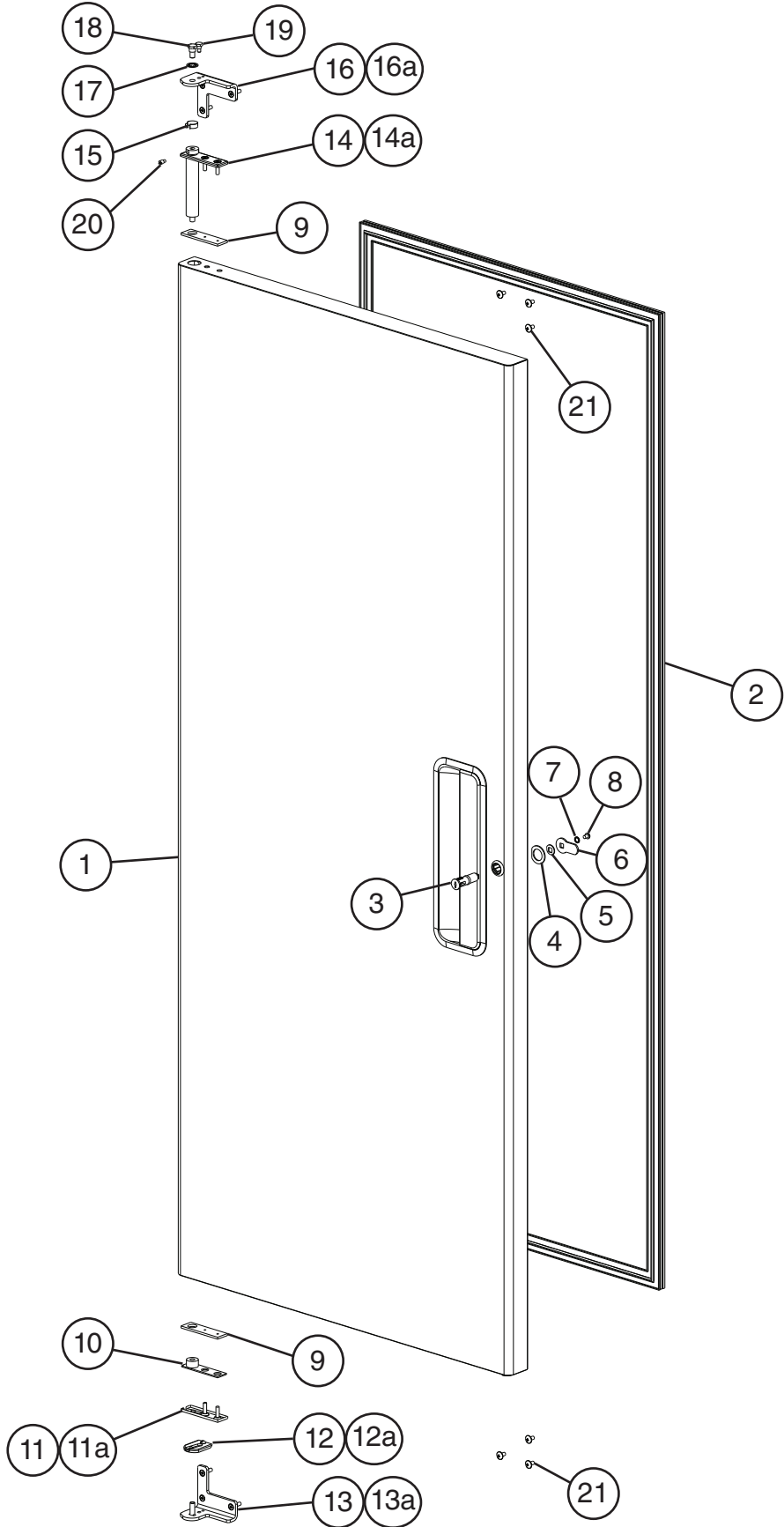
D. Door-Right Hinged
Half Solid: RH2-SSB-HD, RH3-SSB-HD
H-0 to U-5



Title: D. Door-Right Hinged Model: Half Solid: Half Solid: RH2-SSB-HD, RH3-SSB-HD

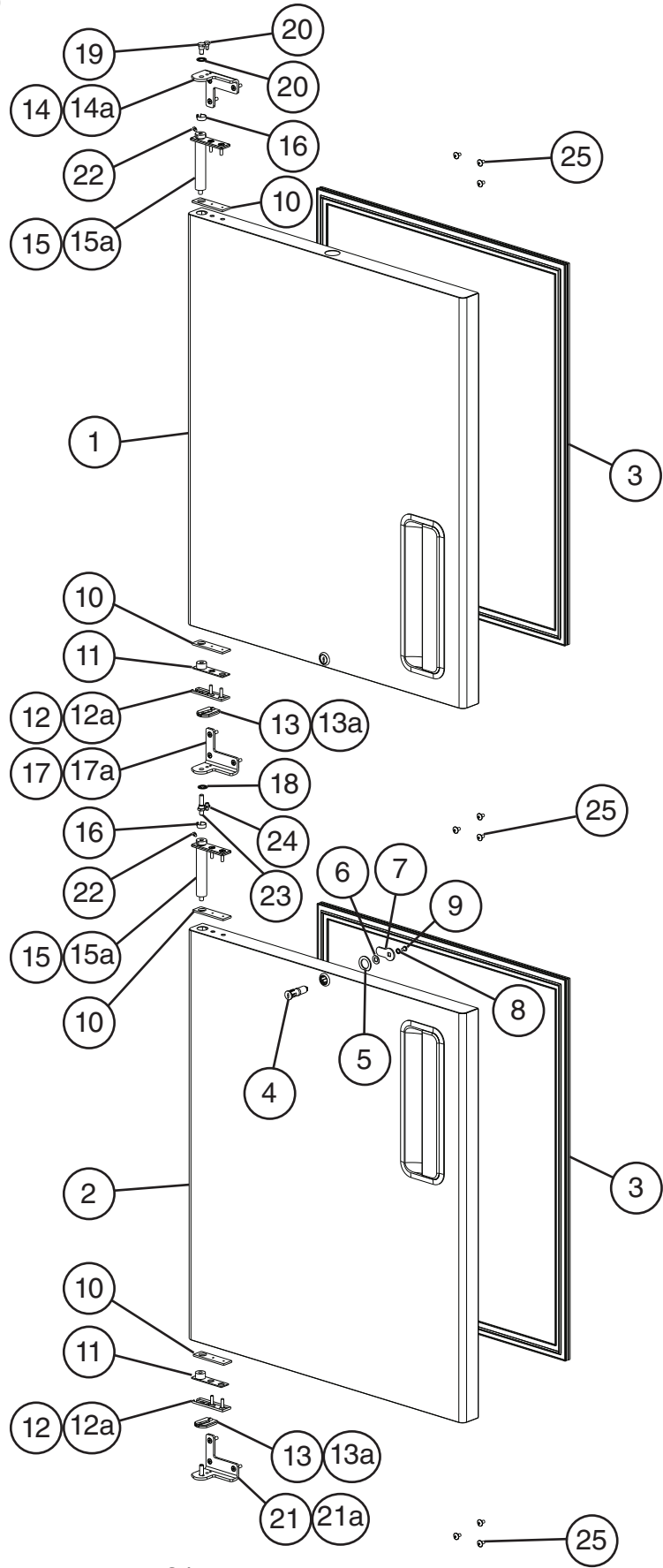
Index No.	Description	Material or Model Number	Part Number	Required Number									
				H-0 to K-0	M-5 to U-5								
1	Upper Right (UR) Solid Half Door	HS-3202	1A0325G01	1	-								
			1A0325G03		1								
2	Lower Right (LR) Solid Half Door	HS-3203	1A0323G01	1	-								
			1A0323G04		1								
3	Door Gasket		3A0273-02	2	2								
4	Door Lock Tumbler (includes Key 4A0460-01)		4A0462-01	2	2								
5	Door Lock Washer		4A0670-01	2	2								
6	Door Lock Stop Washer		4A0458-01	2	2								
7	Door Lock Cam		4A0228-01	2	2								
8	Door Lock Lock Washer		4A0459-01	2	2								
9	Door Lock Screw		4A0461-01	2	2								
10	Foam Pad		4A2257-01	4	4								
11	Right Hinge Bottom Bushing		4A0439-01	2	2								
12	Male Right Hinge Bottom Plate		4A0440-01	2	2								
12a	Countersunk Screw	5x20, SS	7C42-0520	4	4								
13	Female Right Hinge Bottom Plate		4A0441-01	2	-								
			4A2180-01		2								
13a	Stop Plate Screw		4A0483-01	2	2								
14	Upper Right (UR) Door Hinge Bracket		3A1580-01	1	1								
14a	Countersunk Screw	5x20, SS	7C42-0520	3	3								
15	Right Hinge Spring Cartridge		4A0438-01	2	2								
15a	Countersunk Screw	5x20, SS	7C42-0520	4	4								
16	Hinge Bushing Cover		4A0445-01		2								
17	Upper Left (UL) Door Hinge Bracket		3A1581-01	1	1								
17a	Countersunk Screw	5x20, SS	7C42-0520	3	3								
18	Hinge Lock Washer		4A0553-01	2	2								
19	Top Hinge Pivot Pin		4A0442-01	1									
			4A2179-01		1								
20	Top Hinge Stop Pin		4A0444-01	1	-								
			4A2180-01		1								
21	Lower Right (LR) Door Hinge Bracket		3A1626-01	1	1								
21a	Countersunk Screw	5x20, SS	7C42-0520	3	3								
22	Hinge Tension Screw		4A0446-01	2	2								
23	Bottom Hinge Pivot Pin		4A1735-01	1	1								
24	Bottom Hinge Stop Pin		4A1734-01	1	1								
25	Truss Head Screw (filler)	5x10, SS	7C32-0510	9	9								

E. Door-Left Hinged
Full Solid: RH_-SSB
H-0 to E-5



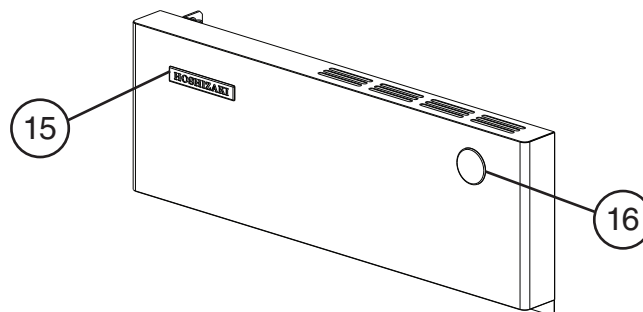
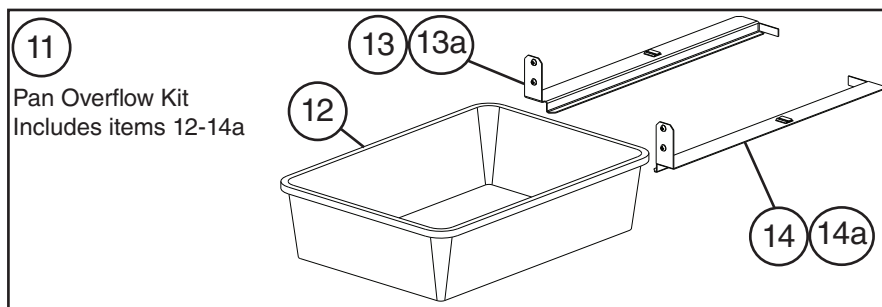
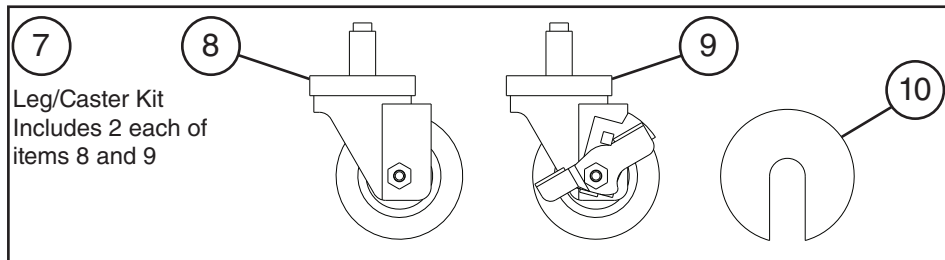
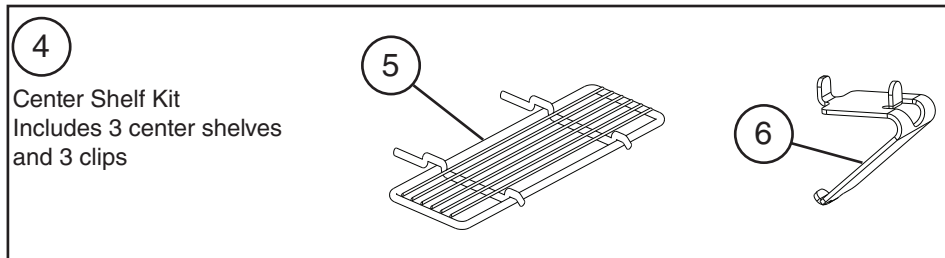
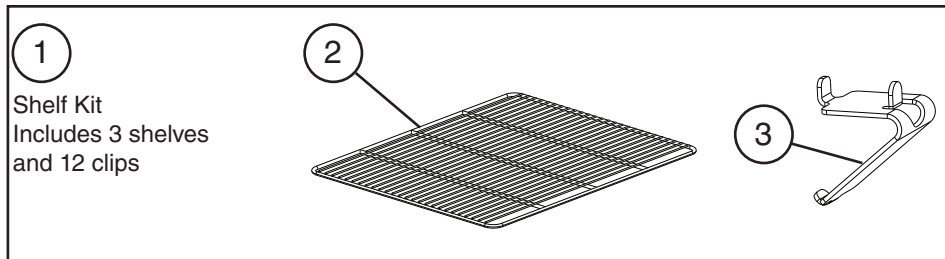
Title: E. Door-Left Hinged Model: Full Solid: RH_-SSB												
Index No.	Description	Material or Model Number	Part Number	Required Number								
				H-0 to K-0	L-5 to M-6	N-5 to A-5 (H)	A-5 (J) to E-5					
1	Left Full Solid Door (includes item 2)	HS-3201	1A0318A04	1	1	1	-					
			2A6547G01				1					
2	Door Gasket		3A0273-01	1	1	1	-					
			2A5192-07				1					
3	Door Lock Tumbler (includes Key 4A0460-01)		4A0462-01	1	1	1	1					
4	Door Lock Washer		4A0670-01	1	1	1	1					
5	Door Lock Stop Washer		4A0458-01	1	1	1	1					
6	Door Lock Cam		4A0228-01	1	1	1	1					
7	Door Lock Lock Washer		4A0459-01	1	1	1	1					
8	Door Lock Screw		4A0461-01	1	1	1	1					
9	Foam Pad		4A2257-01	2	2	2	2					
10	Left Hinge Bottom Bushing		4A0439-02	1	1	1	1					
11	Male Left Hinge Bottom Plate		4A0440-02	1	1	1	1					
11a	Countersunk Screw	5x20, SS	7C42-0520	2	2	2	2					
12	Female Left Hinge Bottom Plate		4A0441-02	1	1	1	1					
12a	Stop Plate Screw		4A0483-01	1	1	1	1					
13	Lower Left (LL) Door Hinge Bracket		3A1627-01	1	1	1	1					
13a	Countersunk Screw	5x20, SS	7C42-0520	3	3	3	3					
14	Left Hinge Spring Cartridge		4A0438-02	1	1	1	1					
14a	Countersunk Screw	5x20, SS	7C42-0520	2	2	2	2					
15	Hinge Bushing Cover		4A0445-01	1	1	1	1					
16	Upper Left (UL) Door Hinge Bracket		3A1581-01	1	1	1	1					
16a	Countersunk Screw	5x20, SS	7C42-0520	3	3	3	3					
17	Hinge Lock Washer		4A0553-01	1	1	1	1					
18	Top Hinge Pivot Pin		4A0442-01	1	-							
			4A2179-01		1	1	1					
19	Hinge Stop Pin		4A0444-01	2	-							
			4A2180-01		2	2	2					
20	Hinge Tension Screw		4A0446-01	1	1	1	1					
21	Truss Head Screw (filler)	5x10, SS	7C32-0510	6	6	6	6					

E. Door-Left Hinged
Half Solid: RH_-SSB-HD
 H-0 to U-5



Title: E. Door-Left Hinged Model: Half Solid: RH_-SSB-HD											
Index No.	Description	Material or Model Number	Part Number	Required Number							
				H-0 to K-0	M-5 to U-5						
1	Upper Left (UL) Solid Half Door	HS-3204	1A0323G02	1	-						
			1A0323G04		1						
2	Lower Left (LL) Solid Half Door	HS-3205	1A0325G02	1	-						
			1A0325G04		1						
3	Door Gasket		3A0273-02	2	2						
4	Door Lock Tumbler (includes Key 4A0460-01)		4A0462-01	2	2						
5	Door Lock Washer		4A0670-01	2	2						
6	Door Lock Stop Washer		4A0458-01	2	2						
7	Door Lock Cam		4A0228-01	2	2						
8	Door Lock Lock Washer		4A0459-01	2	2						
9	Door Lock Screw		4A0461-01	2	2						
10	Foam Pad		4A2257-01	2	4						
11	Left Hinge Bottom Bushing		4A0439-02	2	2						
12	Male Left Hinge Bottom Plate		4A0440-02	2	2						
12a	Countersunk Screw	5x20, SS	7C42-0520	4	4						
13	Female Left Hinge Bottom Plate		4A0441-02	2	2						
13a	Stop Plate Screw		4A0483-01	2	2						
14	Upper Left (UL) Door Hinge Bracket		3A1581-01	1	1						
14a	Countersunk Screw	5x20, SS	7C42-0520	3	3						
15	Left Hinge Spring Cartridge		4A0438-02	2	2						
15a	Countersunk Screw	5x20, SS	7C42-0520	4	4						
16	Hinge Bushing Cover		4A0445-01	2	2						
17	Upper Right (UR) Door Hinge Bracket		3A1580-01	1	1						
17a	Countersunk Screw	5x20, SS	7C42-0520	3	3						
18	Hinge Lock Washer		4A0553-01	2	2						
19	Top Hinge Pivot Pin		4A2179-01	1	1						
20	Hinge Stop Pin		4A2180-01	1	1						
21	Lower Left (LL) Door Hinge Bracket		3A1627-01	1	1						
21a	Countersunk Screw	5x20, SS	7C42-0520	9	9						
22	Hinge Tension Screw		4A0446-01	2	2						
23	Pivot Pin		4A1735-01	1	1						
24	Stop Pin		4A1734-01	1	1						
25	Truss Head Screw (filler)	5x10, SS	7C32-0510	9	9						

F. Accessories & Labels
RH_-SSB(-HD)
 U-5 to E-5



Title: F. Accessories & Labels Model: RH_-SSB-HD										
Index No.	Description	Material or Model Number	Part Number	Required Number						
				H-0 to V-5 (H)	V-5 (J) to A-5 (B)	A-5 (C) to E-5				
1	Shelf Kit (3 Pack) (includes items 2 and 3)	HS-3508	3A1416A03	2	2	2				
2	Shelf		3A1387-01	6	6	6				
3	Shelf Clip		428957-01	24	24	24				
4	Center Shelf Kit (3 Pack) (includes items 5 and 6)	HS-3510	3A4451A01	1	1	1				
5	Center Shelf		2A1579-01	3	3	3				
6	Shelf Clip		428957-01	3	3	3				
7	Leg Kit (4 pack)	HS-3512	4A0930-01	1	1	-				
	Caster Kit (includes items 8 and 9)	HS-3546	4A4712G01			1				
8	Caster		4A1347-01			2				
9	Brake Caster		4A1347-02			2				
10	Caster Shim Kit	HS-3590	4A3659A01			1				
11	Pan Overflow Kit (includes items 12-14a)	HS-3521	3A1666A01	2	-					
12	Overflow Pan		4A3419G01	1	-					
13	Overflow Pan Bracket (A)		4A0878-01	1	-					
13a	T2 Screw	4x8, SS	7P32-0408	2	-					
14	Overflow Pan Bracket (B)		4A0879-01	1	-					
14a	T2 Screw	4x8, SS	7P32-0408	2	-					
15	Emblem		4A0560-01	1	1	1				
16	Penguin Label		456246-02	1	1	1				