

Hoshizaki America, Inc.

Professional Series Refrigerated Kitchen Equipment

Models

RH3-SSG-FG

RH3-SSE-FS

RH3-SSE-HG

RH3-SSE-HS



“A Superior Degree
of Reliability”

www.hoshizaki.com

PARTS LIST



Number: 71330
Issued: 6-24-2011
Revised: 7-2-2015

CONTENTS

Auxiliary Codes.....	3
Note About Ordering Parts	3
A. Main Assembly	4
B. Refrigeration Circuit.....	6
C. Control Box Assembly	8
D. Door-Left.....	9
Full Glass: RH3-SSE-FG	9
Full Solid: RH3-SSE-FS	11
Half Glass: RH3-SSE-HG.....	13
Half Solid: RH3-SSE-HS	15
E. Door-Right	17
Full Glass: RH3-SSE-FG	17
Full Solid: RH3-SSE-FS	19
Half Glass: RH3-SSE-HG.....	21
Half Solid: RH3-SSE-HS	23
F. Accessories & Labels.....	25

Auxiliary Codes

RH3-SSE-FG

V-5 May 2010

A-5 January 2011

RH3-SSE-FS

V-5 May 2010

A-5 March 2011

B-5 July 2012

C-5 April 2013

D-5 July 2014

RH3-SSE-HG

U-5 March 2009

RH3-SSE-HS

U-5 March 2009

A-5 February 2011

C-5 February 2013

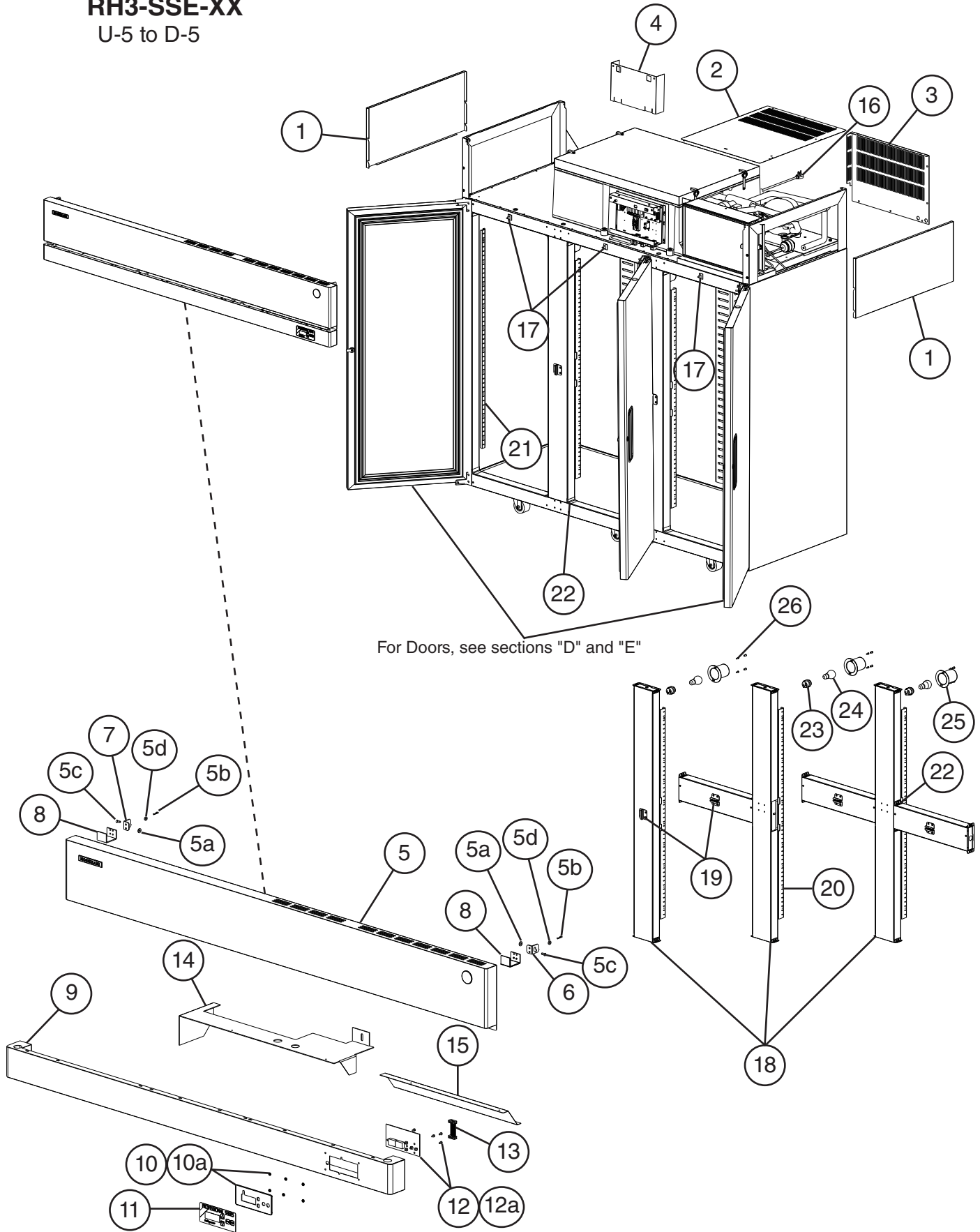
Auxiliary Code Breakdown

The auxiliary code is the first two characters in the serial number. The first character indicates the year. Years progress or regress in alphabetical order. The series runs from "A" through "V" and the letters "I" and "O" are skipped. The second character indicates significant part changes within a year. Base is "5" and this number advances for each change. In cases where there is a letter in parentheses, this designates the month. This is the last character in the serial number. The series runs from "(A)" through "(M)" and the letter "(I)" is skipped. This designation is only included when identifying a parts change within an auxiliary code.

Note About Ordering Parts

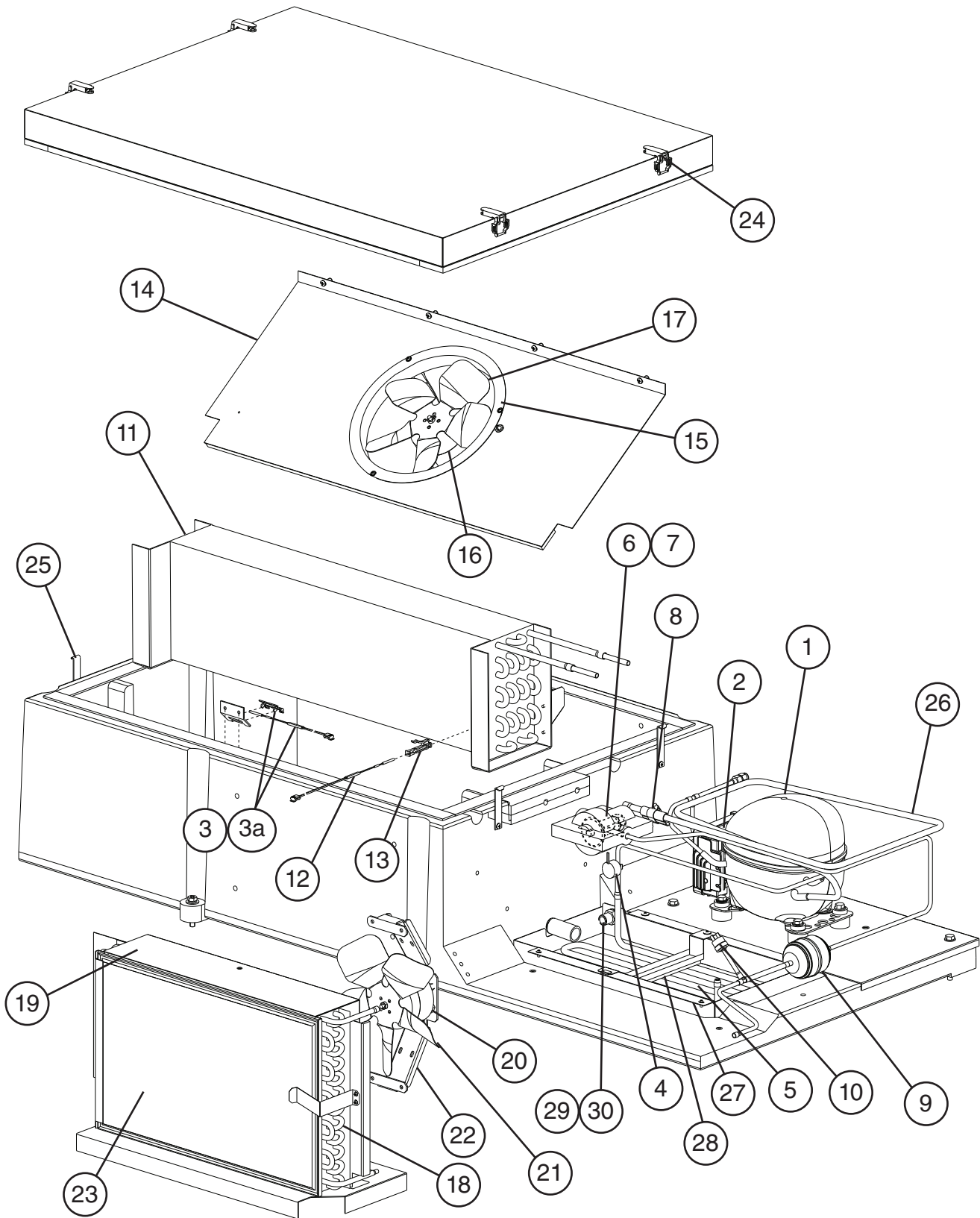
Most assemblies cannot be ordered as complete units; parts in the assemblies generally must be ordered separately.

A. Main Assembly
RH3-SSE-XX
 U-5 to D-5



Title: A. Main Assembly Model: RH3-SSE-XX												
Index No.	Description	Material or Model Number	Part Number	U-5 to D-5	Required Number							
1	Side Panel		2A1800-01	2								
2	Top Cover		2A1118-02	1								
3	Rear Cover		2A1117-01	1								
4	Control Box Cover		2A1031-01	1								
5	Front Panel		1A0624-01	1								
5a	Clevis Pin		8907-0102	2								
5b	Cotter Pin		8907-0103	2								
5c	Flat Washer		4A0665-03	2								
5d	Hinge Spacer		4A2473-01	2								
6	Front Panel Right Hinge		4A2154-01	1								
7	Front Panel Left Hinge		4A2153-01	1								
8	Hinge Channel		4A2170-01	2								
9	Control Panel	Glass Door	1A0835-05	1								
		Solid Door	1A0835-01	1								
10	Display Board		2A0883-01	1								
10a	Palnut		4A1398-01	6								
11	Display Label		3A5788-01	1								
12	Display Board Mount		3A0823-01	1								
12a	Nylon Screw		4A1397-01	4								
13	Ribbon Cable	L=610 mm	4A1106-01	1								
14	Control Panel Cover		2A0133-01	1								
15	Display Board Cover		3A1046-01	1								
16	Power Cord		4A0520-01	1								
17	Door Switch	Full Door	3A1826-01	3								
		Half Door		6								
18	Vertical Mullion (includes items 19)	Full Door	2A4211G01	2								
	Tee Mullion (includes items 19)	Half Door	2A4569G01	1								
	Cross Mullion (includes items 19)	Half Door	2A4254G01	1								
19	Strike Plate	Full Door	4A4587-01	2								
		Half Door		6								
20	Mullion Pilaster	Full Door	2A3246-01	2								
		Half Door		4								
21	Pilaster		3A0145-01	8								
22	Corner Bracket	Full Door	4A2655-01	8								
		Half Door		20								
23	Lampholder		4A2862-01	2								
24	Light Bulb		4A2420-01	2								
25	Light Shield		4A0465-01	2								
26	Cheese Head Screw	5x12, SS	7C52-0512	4								

B. Refrigeration Circuit
RH3-SSE-XX
U-5 to D-5

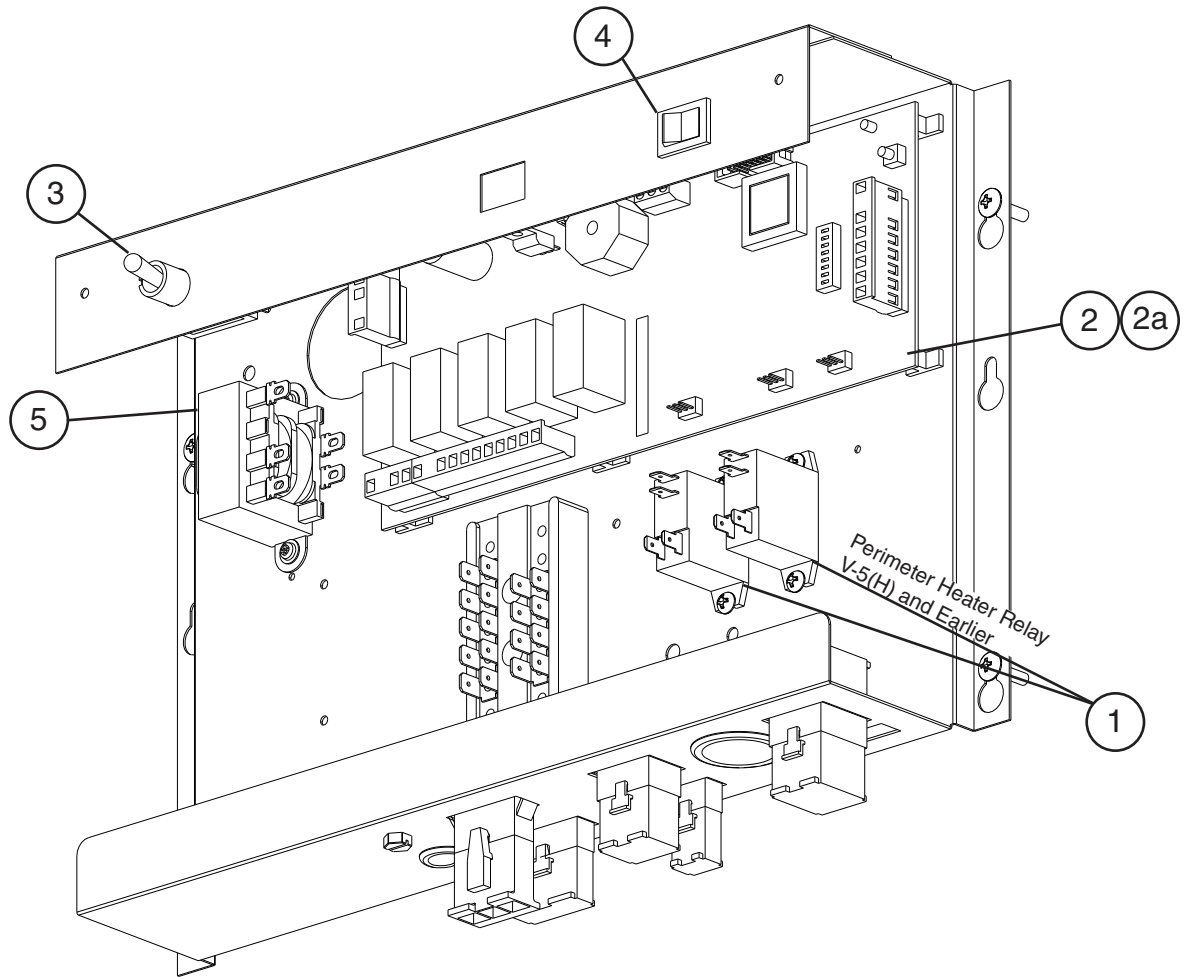


Title: B. Refrigeration Circuit Model: RH3-SSE-XX																				
Index No.	Description	Material or Model Number	Part Number	U-5 to D-5	Required Number															
1	Compressor		4A4622-01	1																
2	Electronic Unit		4A4673-01	1																
3	Cabinet Thermistor		4A1429-02	1																
3a	Cabinet Thermistor Bracket		433920-01	1																
4	Clogged Filter Thermostat		4A0484-01	1																
5	Condensate Coil		2A1856-01	1																
6	Thermostatic Expansion Valve		4A4599-01	1																
7	Thermostatic Expansion Valve Cover		4A4646-01	1																
8	Thermostatic Expansion Valve Bulb Holder		3A0107-01	1																
9	Drier		4A0924-01	1																
10	High-Pressure Switch		4A2516-01	1																
11	Evaporator		2A1159-01	1																
12	Defrost Thermistor		4A1428-02	1																
13	Thermistor Clip		320418-01	1																
14	Evaporator Fan Shroud		1A1782-01	1																
15	Evaporator Fan Orifice		4A0412-01	1																
16	Evaporator Fan Motor		4A4620-01	1																
17	Evaporator Fan Blade		3A0436-01	1																
18	Condenser		2A1166-01	1																
19	Condenser Shroud		2A1715-01	1																
20	Condenser Fan Motor		4A4621-01	1																
21	Condenser Fan Blade		3A0608-01	1																
22	Condenser Fan Bracket		3A1564-01	1																
23	Air Filter		3A0277-03	1																
24	Latch-Draw		4A3988-01	4																
25	Latch-Catch		4A3987-01	4																
26	Heat Exchanger		2A4828G01	1																
27	Evaporator Drain Pan		2A0200-02	1																
28	Condensate Coil Gasket		4A0455-01	1																
29	Overflow Drain Fitting w/Nut		4A2182-01	1																
30	Rubber Gasket		413854-03	1																

C. Control Box Assembly

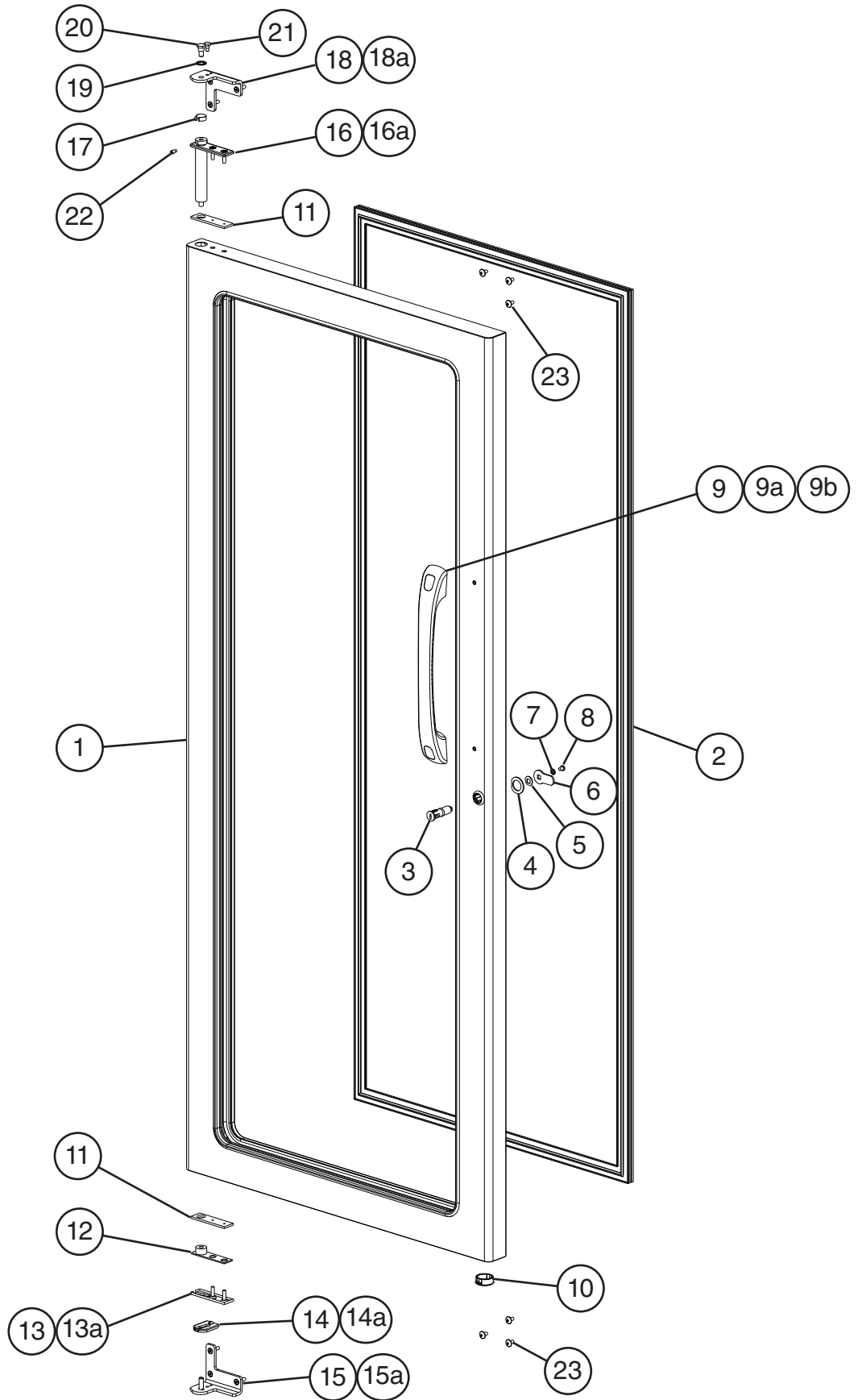
RH3-SSE-XX

U-5 to D-5



Title: C. Control Box Assembly Model: RH3-SSE-XX				Required Number								
Index No.	Description	Material or Model Number	Part Number	U-5 to V-5 (E)	V-5 (F-H)	V-5 (J) to D-5						
				1	Compressor Relay/Perimeter Heater Relay		4A4329-01	2	2	1		
2	Control Board		2A2862-23	1	-							
			2A2862-24		1	1						
2a	Control Board Support		4A0336-03	6	6	6						
3	Power Switch		4A0424-01	1	1	1						
4	Control Switch		4A0418-01	1	1	1						
5	Control Transformer		3A1759-01	1	1	1						

D. Door-Left
Full Glass: RH3-SSE-FG
 U-5 to A-5

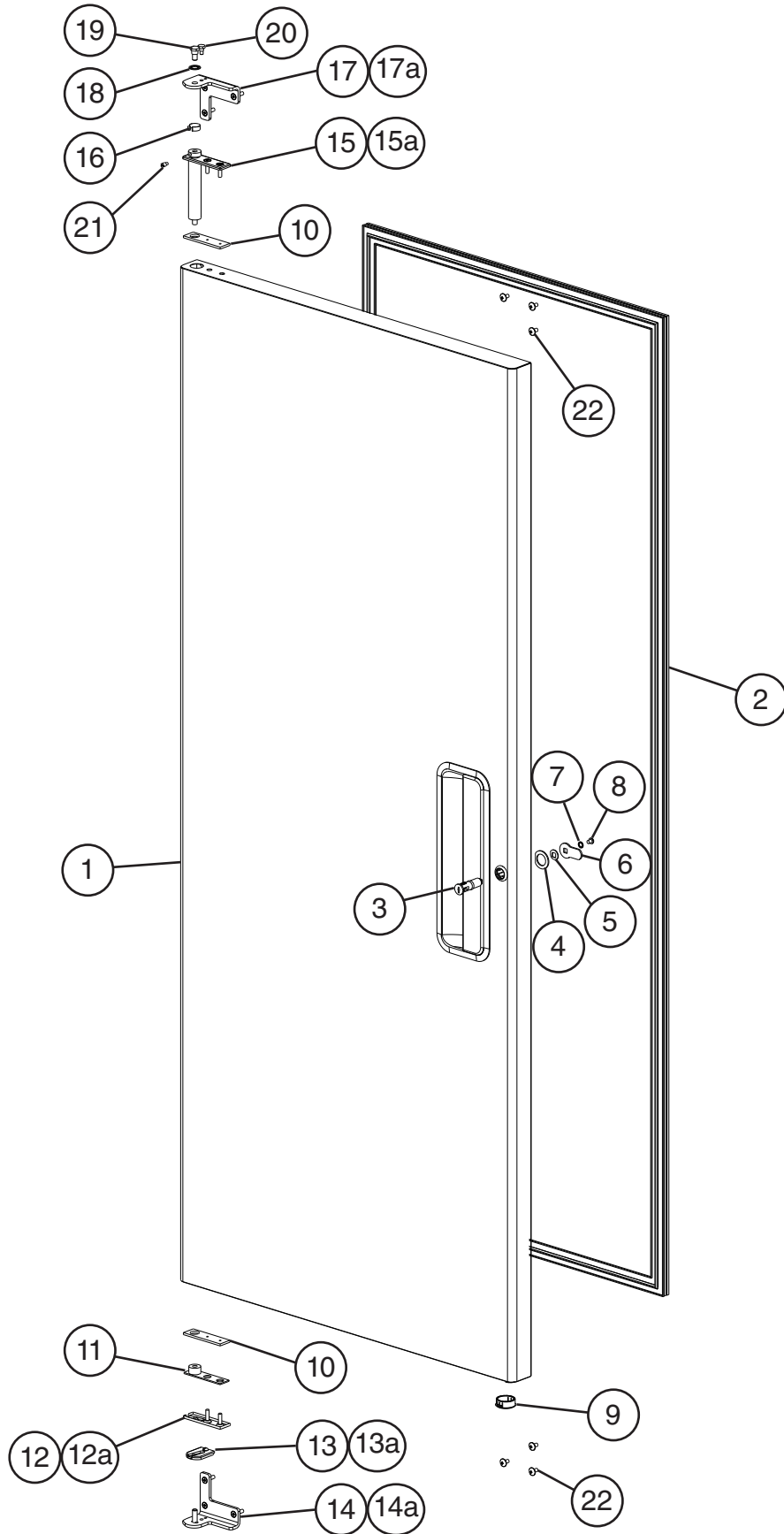


Title: D. Door-Left Model: Full Glass: RH3-SSE-FG												
Index No.	Description	Material or Model Number	Part Number	U-5 to A-5	Required Number							
1	Left Full Glass Door		2A4421G01	1								
2	Door Gasket		3A0273-01	1								
3	Door Lock Tumbler (includes Key 4A0460-01)		4A0462-01	1								
4	Door Lock Washer		4A0670-01	1								
5	Door Lock Stop Washer		4A0458-01	1								
6	Door Lock Cam		4A0228-01	1								
7	Door Lock Lock Washer		4A0459-01	1								
8	Door Lock Screw		4A0461-01	1								
9	Handle		115365-01	1								
9a	Bolt Screw		449879-08	2								
9b	Handle Cap		360643-01	2								
10	Locking Hole Plug		4A0586-06	1								
11	Foam Pad		4A2257-01	2								
12	Left Hinge Bottom Bushing		4A0439-02	1								
13	Male Left Hinge Bottom Plate		4A0440-02	1								
13a	Countersunk Screw	5x20, SS	7C42-0520	2								
14	Female Left Hinge Bottom Plate		4A0441-02	1								
14a	Stop Plate Screw		4A0483-01	1								
15	Lower Left (LL) Door Hinge Bracket		3A1627-01	1								
15a	Countersunk Screw	5x20, SS	7C42-0520	3								
16	Left Hinge Spring Cartridge		4A0438-02	1								
16a	Countersunk Screw	5x20, SS	7C42-0520	2								
17	Hinge Bushing Cover		4A0445-01	1								
18	Upper Left (UL) Door Hinge Bracket		3A1581-01	1								
18a	Countersunk Screw	5x20, SS	7C42-0520	3								
19	Hinge Lock Washer		4A0553-01	1								
20	Top Hinge Pivot Pin		4A2179-01	1								
21	Hinge Stop Pin		4A2180-01	1								
22	Hinge Tension Screw		4A0446-01	1								
23	Truss Head Screw (filler)	5x10, SS	7C32-0510	6								

D. Door-Left

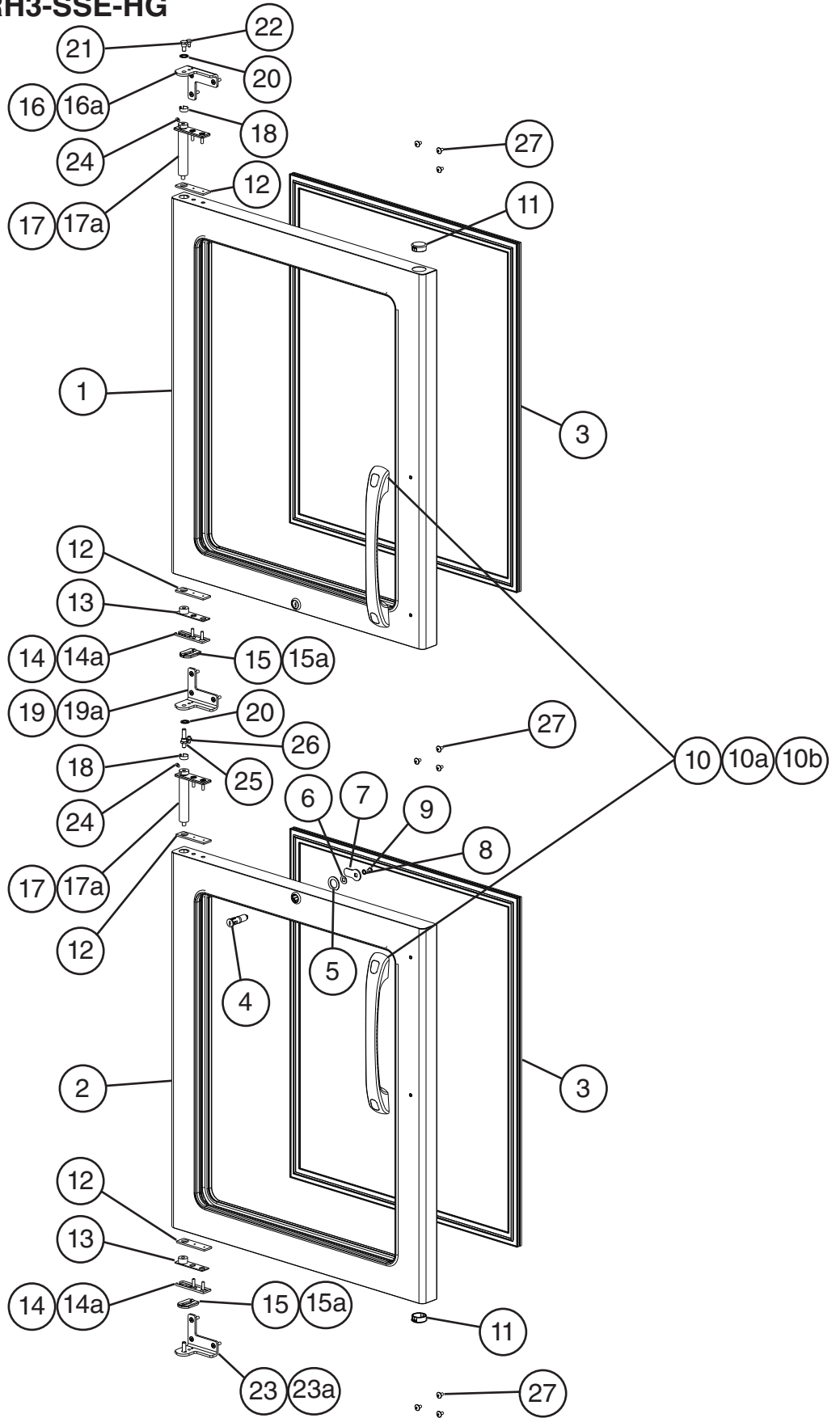
Full Solid: RH3-SSE-FS

V-5 to D-5



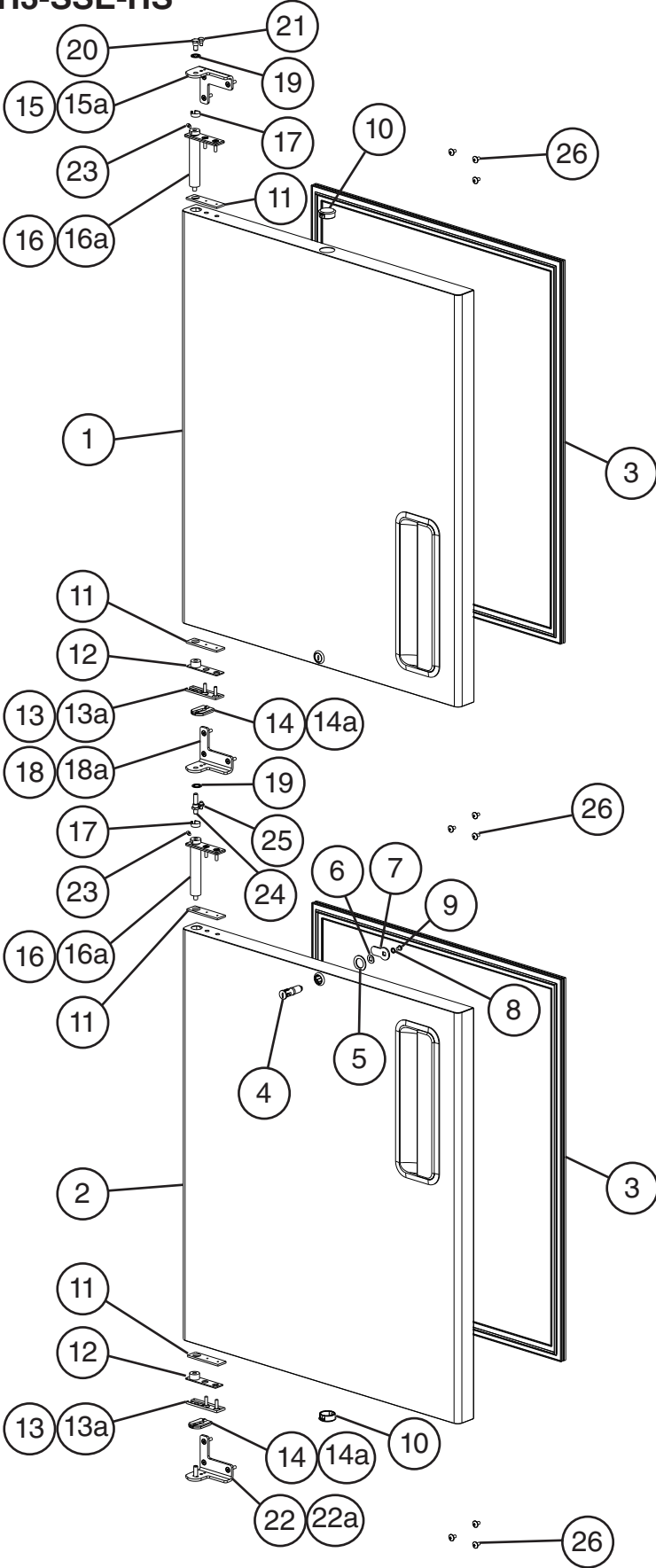
Title: D. Door-Left Model: Full Solid: RH3-SSE-FS											
Index No.	Description	Material or Model Number	Part Number	Required Number							
				U-5 to V-5	A-5 to D-5						
1	Left Full Solid Door		2A3942G01	1	-						
			2A6546A01		1						
2	Door Gasket		3A0273-01	1	-						
			2A5192-07		1						
3	Door Lock Tumbler (includes Key 4A0460-01)		4A0462-01	1	1						
4	Door Lock Washer		4A0670-01	1	1						
5	Door Lock Stop Washer		4A0458-01	1	1						
6	Door Lock Cam		4A0228-01	1	1						
7	Door Lock Lock Washer		4A0459-01	1	1						
8	Door Lock Screw		4A0461-01	1	1						
9	Locking Hole Plug		4A0586-06	1	1						
10	Foam Pad		4A2257-01	2	2						
11	Left Hinge Bottom Bushing		4A0439-02	1	1						
12	Male Left Hinge Bottom Plate		4A0440-02	1	1						
12a	Countersunk Screw	5x20, SS	7C42-0520	2	2						
13	Female Left Hinge Bottom Plate		4A0441-02	1	1						
13a	Stop Plate Screw		4A0483-01	1	1						
14	Lower Left (LL) Door Hinge Bracket		3A1627-01	1	1						
14a	Countersunk Screw	5x20, SS	7C42-0520	3	3						
15	Left Hinge Spring Cartridge		4A0438-02	1	1						
15a	Countersunk Screw	5x20, SS	7C42-0520	2	2						
16	Hinge Bushing Cover		4A0445-01	1	1						
17	Upper Left (UL) Door Hinge Bracket		3A1581-01	1	1						
17a	Countersunk Screw	5x20, SS	7C42-0520	3	3						
18	Hinge Lock Washer		4A0553-01	1	1						
19	Top Hinge Pivot Pin		4A2179-01	1	1						
20	Hinge Stop Pin		4A2180-01	1	1						
21	Hinge Tension Screw		4A0446-01	1	1						
22	Truss Head Screw (filler)	5x10, SS	7C32-0510	6	6						

D. Door-Left
Half Glass: RH3-SSE-HG
 U-5



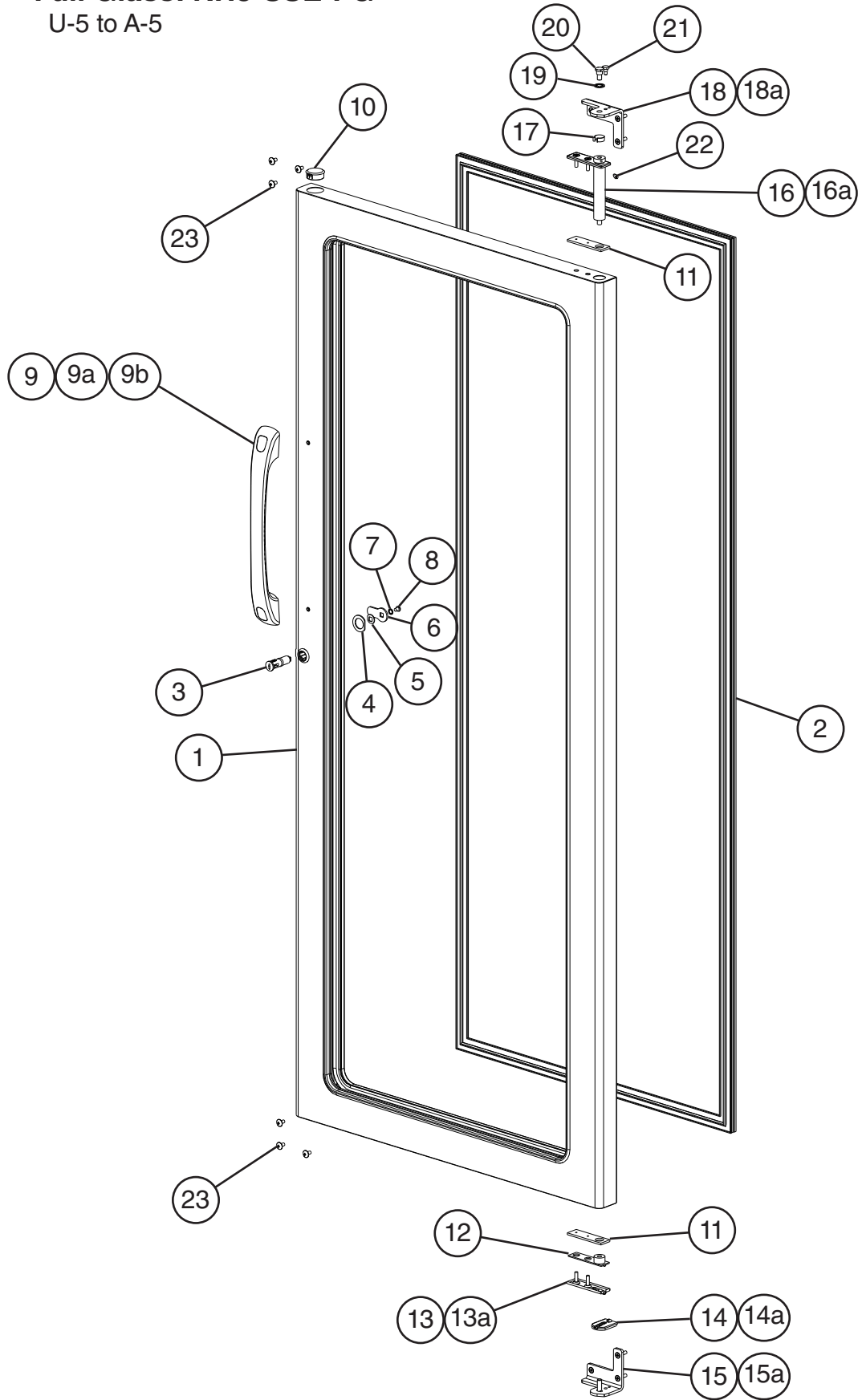
Title: D. Door-Left Model: Half Glass: RH3-SSE-HG												
Index No.	Description	Material or Model Number	Part Number	Required Number								
				U-5								
1	Left Half Glass Door	Upper Left	2A4416G01	1								
2	Left Half Glass Door	Lower Left	2A4417G01	1								
3	Door Gasket		3A0273-02	2								
4	Door Lock Tumbler (includes Key 4A0460-01)		4A0462-01	2								
5	Door Lock Washer		4A0670-01	2								
6	Door Lock Stop Washer		4A0458-01	2								
7	Door Lock Cam		4A0228-01	2								
8	Door Lock Lock Washer		4A0459-01	2								
9	Door Lock Screw		4A0461-01	2								
10	Handle		115365-01	2								
10a	Bolt Screw		449879-08	4								
10b	Handle Cap		360643-01	4								
11	Locking Hole Plug		4A0586-06	2								
12	Foam Pad		4A2257-01	4								
13	Left Hinge Bottom Bushing		4A0439-02	2								
14	Male Left Hinge Bottom Plate		4A0440-02	2								
14a	Countersunk Screw	5x20, SS	7C42-0520	4								
15	Female Left Hinge Bottom Plate		4A0441-02	2								
15a	Stop Plate Screw		4A0483-01	2								
16	Upper Left (UL) Door Hinge Bracket		3A1581-01	1								
16a	Countersunk Screw	5x20, SS	7C42-0520	3								
17	Left Hinge Spring Cartridge		4A0438-02	2								
17a	Countersunk Screw	5x20, SS	7C42-0520	4								
18	Hinge Bushing Cover		4A0445-01	2								
19	Upper Right (UR) Door Hinge Bracket		3A1580-01	1								
19a	Countersunk Screw	5x20, SS	7C42-0520	3								
20	Hinge Lock Washer		4A0553-01	2								
21	Top Hinge Pivot Pin		4A2179-01	1								
22	Hinge Stop Pin		4A2180-01	1								
23	Lower Left (LL) Door Hinge Bracket		3A1627-01	1								
23a	Countersunk Screw	5x20, SS	7C42-0520	3								
24	Hinge Tension Screw		4A0446-01	2								
25	Bottom Hinge Pivot Pin		4A1735-01	1								
26	Bottom Hinge Stop Pin		4A1734-01	1								
27	Truss Head Screw (filler)	5x10, SS	7C32-0510	9								

D. Door-Left
Half Solid: RH3-SSE-HS
 U-5 to C-5



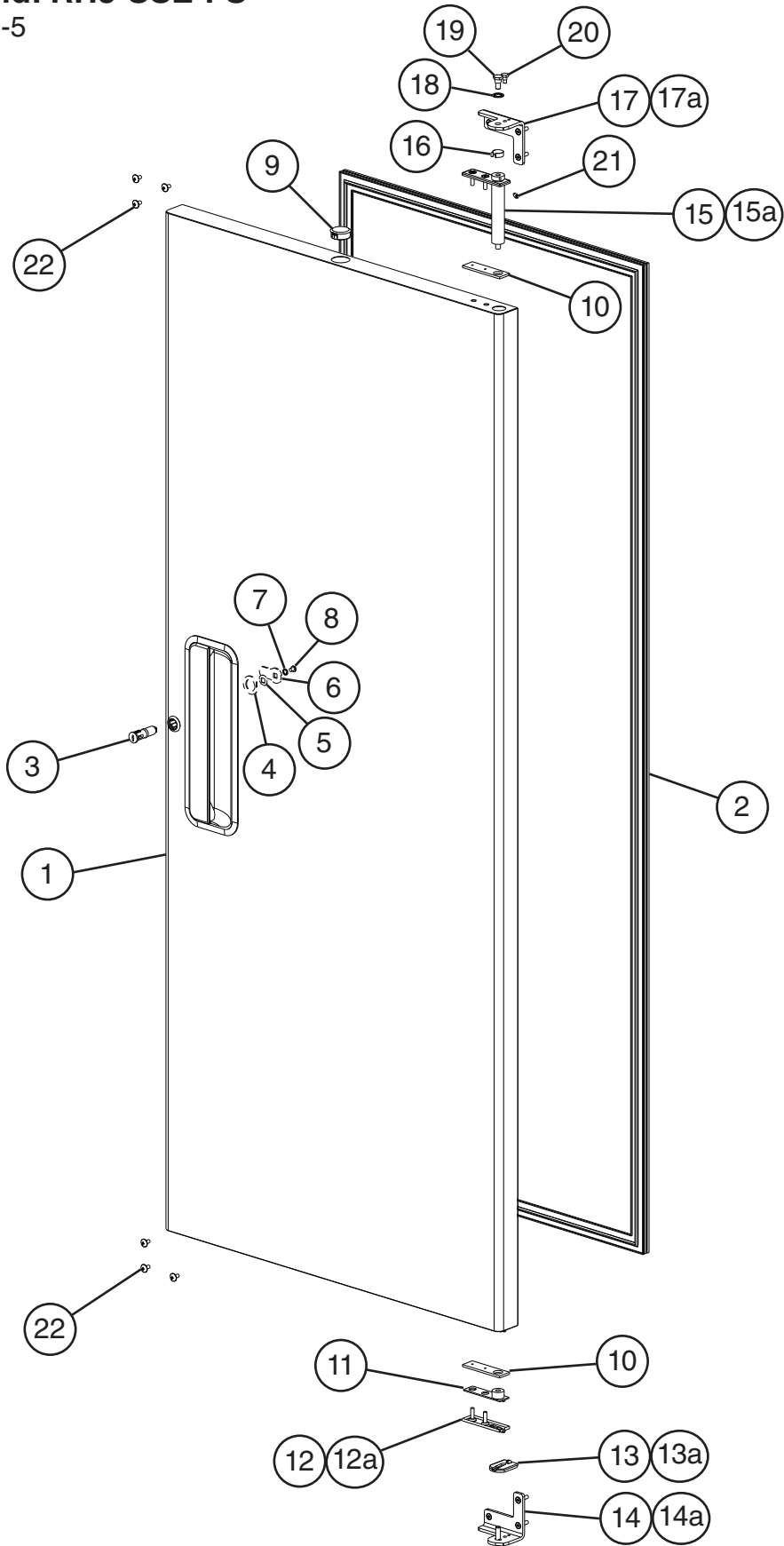
Title: D. Door-Left Model: Half Solid: RH3-SSE-HS												
Index No.	Description	Material or Model Number	Part Number	Required Number								
				U-5 to A-5 (A)	A-5 (B) to C-5							
1	Left Half Solid Door	Upper Left	2A3937G01	1	-							
			2A6552G01		1							
2	Left Half Solid Door	Lower Left	2A3938G01	1	-							
			2A6553G01		1							
3	Door Gasket		3A0273-02	2	-							
			2A5192-08		2							
4	Door Lock Tumbler (includes Key 4A0460-01)		4A0462-01	2	2							
5	Door Lock Washer		4A0670-01	2	2							
6	Door Lock Stop Washer		4A0458-01	2	2							
7	Door Lock Cam		4A0228-01	2	2							
8	Door Lock Lock Washer		4A0459-01	2	2							
9	Door Lock Screw		4A0461-01	2	2							
10	Locking Hole Plug		4A0586-06	2	2							
11	Foam Pad		4A2257-01	4	4							
12	Left Hinge Bottom Bushing		4A0439-02	2	2							
13	Male Left Hinge Bottom Plate		4A0440-02	2	2							
13a	Countersunk Screw	5x20, SS	7C42-0520	4	4							
14	Female Left Hinge Bottom Plate		4A0441-02	2	2							
14a	Stop Plate Screw		4A0483-01	2	2							
15	Upper Left (UL) Door Hinge Bracket		3A1581-01	1	1							
15a	Countersunk Screw	5x20, SS	7C42-0520	9	9							
16	Left Hinge Spring Cartridge		4A0438-02	2	2							
16a	Countersunk Screw	5x20, SS	7C42-0520	4	4							
17	Hinge Bushing Cover		4A0445-01	2	2							
18	Upper Right (UR) Door Hinge Bracket		3A1580-01	1	1							
18a	Countersunk Screw	5x20, SS	7C42-0520	9	9							
19	Hinge Lock Washer		4A0553-01	2	2							
20	Top Hinge Pivot Pin		4A2179-01	1	1							
21	Hinge Stop Pin		4A2180-01	1	1							
22	Lower Left (LL) Door Hinge Bracket		3A1627-01	1	1							
22a	Countersunk Screw	5x20, SS	7C42-0520	9	9							
23	Hinge Tension Screw		4A0446-01	2	2							
24	Pivot Pin		4A1735-01	1	1							
25	Stop Pin		4A1734-01	1	1							
26	Truss Head Screw (filler)	5x10, SS	7C32-0510	9	9							

E. Door-Right
Full Glass: RH3-SSE-FG
U-5 to A-5



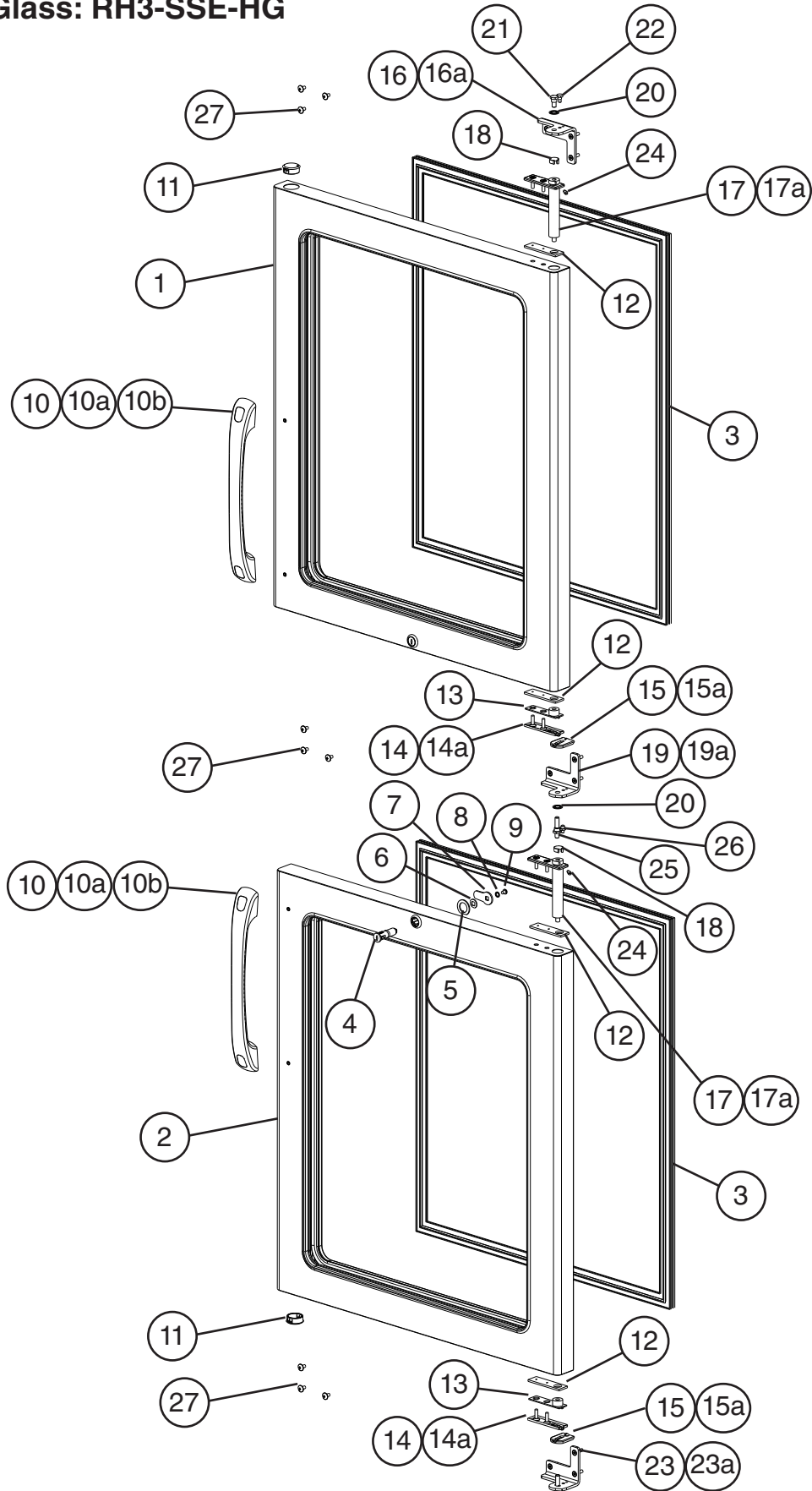
Title: E. Door-Right Model: Full Glass: RH3-SSE-FG												
Index No.	Description	Material or Model Number	Part Number	U-5 to A-5	Required Number							
1	Right Full Glass Door		2A4423G01	1								
2	Door Gasket		3A0273-01	1								
3	Door Lock Tumbler (includes Key 4A0460-01)		4A0462-01	1								
4	Door Lock Washer		4A0670-01	1								
5	Door Lock Stop Washer		4A0458-01	1								
6	Door Lock Cam		4A0228-01	1								
7	Door Lock Lock Washer		4A0459-01	1								
8	Door Lock Screw		4A0461-01	1								
9	Handle		115365-01	1								
9a	Bolt Screw		449879-08	2								
9b	Handle Cap		360643-01	2								
10	Locking Hole Plug		4A0586-06	1								
11	Foam Pad		4A2257-01	2								
12	Right Hinge Bottom Bushing		4A0439-01	1								
13	Male Right Hinge Bottom Plate		4A0440-01	1								
13a	Countersunk Screw	5x20, SS	7C42-0520	2								
14	Female Right Hinge Bottom Plate		4A0441-01	1								
14a	Stop Plate Screw		4A0483-01	1								
15	Lower Right (LR) Door Hinge Bracket		3A1626-01	1								
15a	Countersunk Screw	5x20, SS	7C42-0520	3								
16	Right Hinge Spring Cartridge		4A0438-01	1								
16a	Countersunk Screw	5x20, SS	7C42-0520	2								
17	Hinge Bushing Cover		4A0445-01	1								
18	Upper Right (UR) Door Hinge Bracket		3A1580-01	1								
18a	Countersunk Screw	5x20, SS	7C42-0520	3								
19	Hinge Lock Washer		4A0553-01	1								
20	Top Hinge Pivot Pin		4A2179-01	1								
21	Hinge Stop Pin		4A2180-01	1								
22	Hinge Tension Screw		4A0446-01	1								
23	Truss Head Screw (filler)	5x10, SS	7C32-0510	6								

E. Door-Right
Full Solid: RH3-SSE-FS
 V-5 to D-5



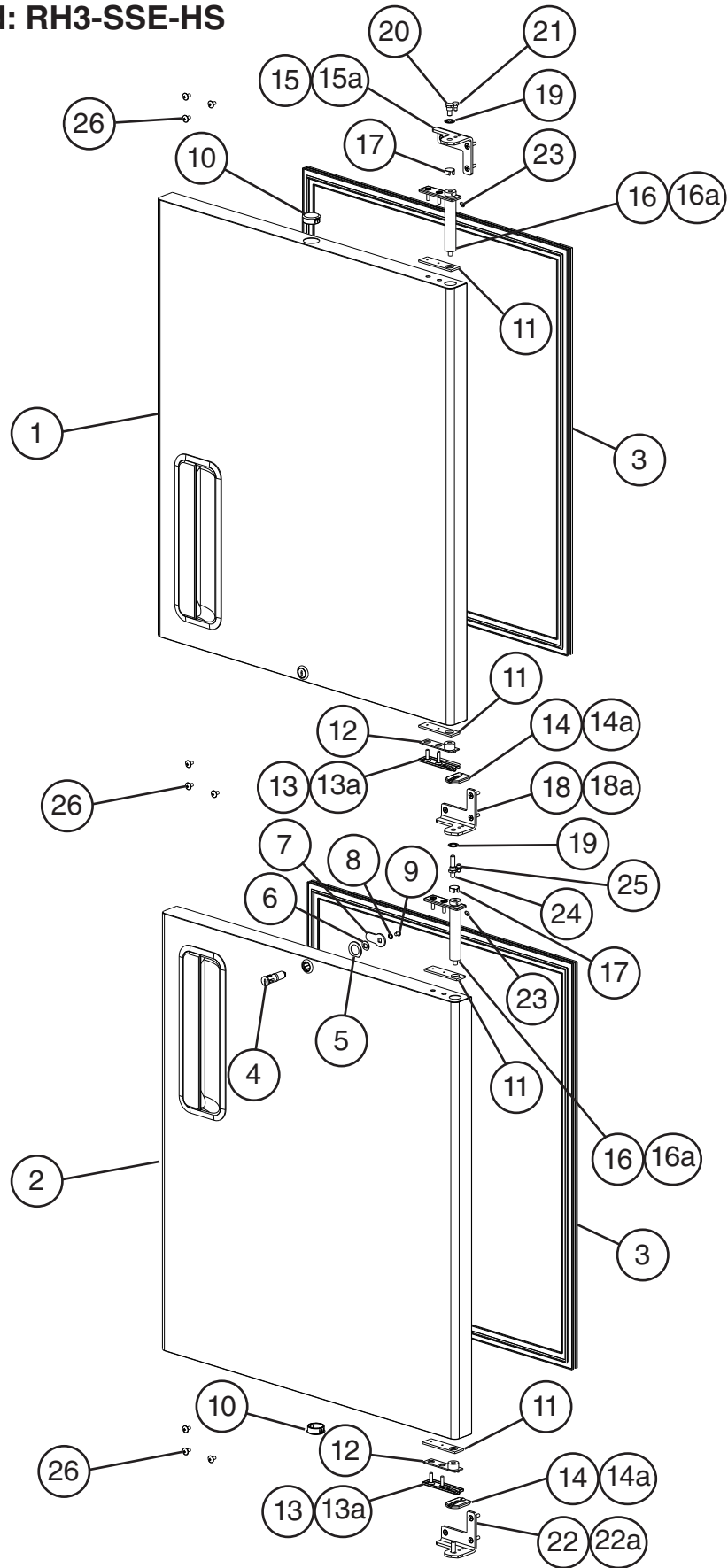
Title: E. Door-Right Model: Full Solid: RH3-SSE-FS										
Index No.	Description	Material or Model Number	Part Number	Required Number						
				V-5	A-5 to D-5					
1	Right Solid Door		2A3940G01	1	-					
			2A6545G01		1					
2	Door Gasket		3A0273-01	1	-					
			2A5192-07		1					
3	Door Lock Tumbler (includes Key 4A0460-01)		4A0462-01	1	1					
4	Door Lock Washer		4A0670-01	1	1					
5	Door Lock Stop Washer		4A0458-01	1	1					
6	Door Lock Cam		4A0228-01	1	1					
7	Door Lock Lock Washer		4A0459-01	1	1					
8	Door Lock Screw		4A0461-01	1	1					
9	Locking Hole Plug		4A0586-06	1	1					
10	Foam Pad		4A2257-01	2	2					
11	Right Hinge Bottom Bushing		4A0439-01	1	1					
12	Male Right Hinge Bottom Plate		4A0440-01	1	1					
12a	Countersunk Screw	5x20, SS	7C42-0520	2	2					
13	Female Right Hinge Bottom Plate		4A0441-01	1	1					
13a	Stop Plate Screw		4A0483-01	1	1					
14	Lower Right (LR) Door Hinge Bracket		3A1626-01	1	1					
14a	Countersunk Screw	5x20, SS	7C42-0520	3	3					
15	Right Hinge Spring Cartridge		4A0438-01	1	1					
15a	Countersunk Screw	5x20, SS	7C42-0520	2	2					
16	Hinge Bushing Cover		4A0445-01	1	1					
17	Upper Right (UR) Door Hinge Bracket		3A1580-01	1	1					
17a	Countersunk Screw	5x20, SS	7C42-0520	3	3					
18	Hinge Lock Washer		4A0553-01	1	1					
19	Top Hinge Pivot Pin		4A2179-01	1	1					
20	Hinge Stop Pin		4A2180-01	1	1					
21	Hinge Tension Screw		4A0446-01	1	1					
22	Truss Head Screw (filler)	5x10, SS	7C32-0510	6	6					

E. Door-Right
Half Glass: RH3-SSE-HG
 U-5



Title: E. Door-Right Model: Half Glass: RH3-SSE-HG												
Index No.	Description	Material or Model Number	Part Number	Required Number								
				U-5								
1	Right Half Glass Door	Upper Right	2A4419G01	1								
2	Right Half Glass Door	Lower Right	2A4420G01	1								
3	Door Gasket		3A0273-02	2								
4	Door Lock Tumbler (includes Key 4A0460-01)		4A0462-01	2								
5	Door Lock Washer		4A0670-01	2								
6	Door Lock Stop Washer		4A0458-01	2								
7	Door Lock Cam		4A0228-01	2								
8	Door Lock Lock Washer		4A0459-01	2								
9	Door Lock Screw		4A0461-01	2								
10	Handle		115365-01	1								
10a	Bolt Screw		449879-08	2								
10b	Handle Cap		360643-01	2								
11	Locking Hole Plug		4A0586-06	2								
12	Foam Pad		4A2257-01	4								
13	Right Hinge Bottom Bushing		4A0439-01	2								
14	Right Male Hinge Bottom Plate		4A0440-01	2								
14a	Countersunk Screw	5x20, SS	7C42-0520	4								
15	Female Right Hinge Bottom Plate		4A0441-01	2								
15a	Stop Plate Screw		4A0483-01	2								
16	Upper Right (UR) Door Hinge Bracket		3A1580-01	1								
16a	Countersunk Screw	5x20, SS	7C42-0520	3								
17	Right Hinge Spring Cartridge		4A0438-01	2								
17a	Countersunk Screw	5x20, SS	7C42-0520	4								
18	Hinge Bushing Cover		4A0445-01	2								
19	Upper Left (UL) Door Hinge Bracket		3A1581-01	1								
19a	Countersunk Screw	5x20, SS	7C42-0520	3								
20	Hinge Lock Washer		4A0553-01	2								
21	Top Hinge Pivot Pin		4A2179-01	1								
22	Top Hinge Stop Pin		4A2180-01	1								
23	Lower Right (LR) Door Hinge Bracket		3A1626-01	1								
23a	Countersunk Screw	5x20, SS	7C42-0520	3								
24	Hinge Tension Screw		4A0446-01	2								
25	Bottom Hinge Pivot Pin		4A1735-01	1								
26	Bottom Hinge Stop Pin		4A1734-01	1								
27	Truss Head Screw (filler)	5x10, SS	7C32-0510	9								

E. Door-Right
Half Solid: RH3-SSE-HS
 U-5 to C-5

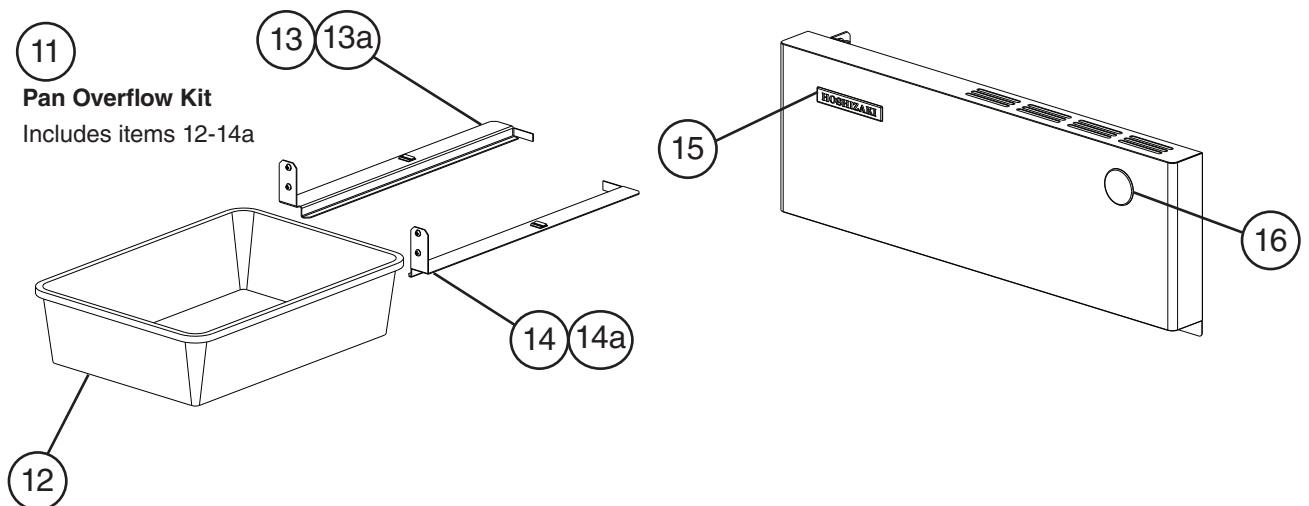
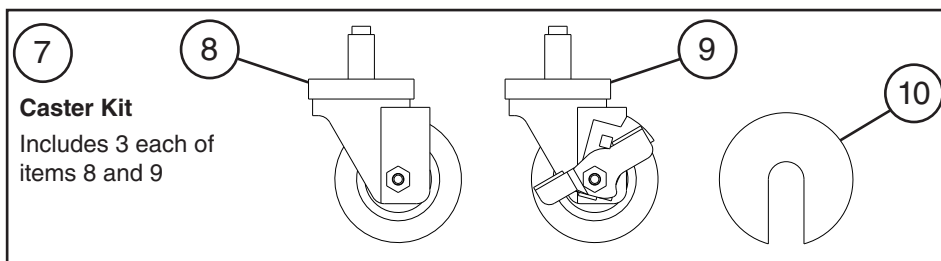
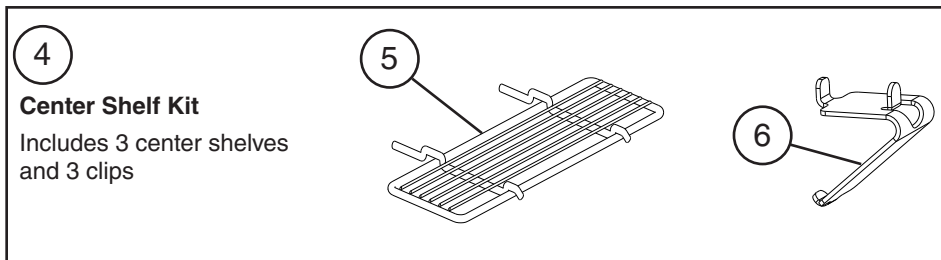
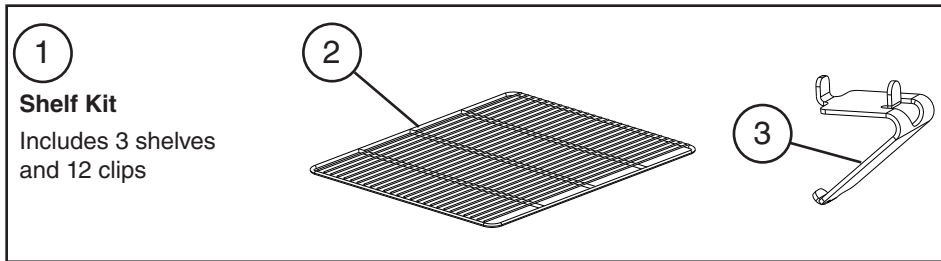


Title: E. Door-Right Model: Half Solid: RH3-SSE-HS											
Index No.	Description	Material or Model Number	Part Number	Required Number							
				U-5 to A-5 (A)	A-5 (B) to C-5						
1	Right Half Solid Door	Upper Right	2A3934G01	1	-						
			2A6549G01		1						
2	Right Half Solid Door	Lower Right	2A3935G01	1	-						
			2A6550G01		1						
3	Door Gasket		3A0273-02	2	-						
			2A5192-08		2						
4	Door Lock Tumbler (includes Key 4A0460-01)		4A0462-01	2	2						
5	Door Lock Washer		4A0670-01	2	2						
6	Door Lock Stop Washer		4A0458-01	2	2						
7	Door Lock Cam		4A0228-01	2	2						
8	Door Lock Lock Washer		4A0459-01	2	2						
9	Door Lock Screw		4A0461-01	2	2						
10	Locking Hole Plug		4A0586-06	2	2						
11	Foam Pad		4A2257-01	4	4						
12	Right Hinge Bottom Bushing		4A0439-01	2	2						
13	Male Right Hinge Bottom Plate		4A0440-01	2	2						
13a	Countersunk Screw	5x20, SS	7C42-0520	4	4						
14	Female Right Hinge Bottom Plate		4A0441-01	2	2						
14a	Stop Plate Screw		4A0483-01	2	2						
15a	Countersunk Screw	5x20, SS	7C42-0520	3	3						
15	Upper Right (UR) Door Hinge Bracket		3A1580-01	1	1						
16	Right Hinge Spring Cartridge		4A0438-01	2	2						
16a	Countersunk Screw	5x20, SS	7C42-0520	4	4						
17	Hinge Bushing Cover		4A0445-01	2	2						
18	Upper Left (UL) Door Hinge Bracket		3A1581-01	1	1						
18a	Countersunk Screw	5x20, SS	7C42-0520	3	3						
19	Hinge Lock Washer		4A0553-01	2	2						
20	Top Hinge Pivot Pin		4A2179-01	1	1						
21	Top Hinge Stop Pin		4A2180-01	1	1						
22	Lower Right (LR) Door Hinge Bracket		3A1626-01	1	1						
22a	Countersunk Screw	5x20, SS	7C42-0520	3	3						
23	Hinge Tension Screw		4A0446-01	2	2						
24	Bottom Hinge Pivot Pin		4A1735-01	1	1						
25	Bottom Hinge Stop Pin		4A1734-01	1	1						
26	Truss Head Screw (filler)	5x10, SS	7C32-0510	9	9						

F. Accessories & Labels

RH3-SSE-XX

U-5 to D-5



Title: F. Accessories & Labels Model: RH3-SSE-XX												
Index No.	Description	Material or Model Number	Part Number	Required Number								
				U-5 to A-5 (H)	A-5 (J) to D-5							
1	Shelf Kit (3 Pack) (includes items 2 and 3)	HS-3508	3A1416A03	2	2							
2	Shelf		3A1387-01	6	6							
3	Shelf Clip		428957-01	24	24							
4	Center Shelf Kit (3 Pack) (includes items 5 and 6)	HS-3510	3A1417A03	1	1							
5	Center Shelf		2A1579-01	3	3							
6	Shelf Clip		428957-01	3	3							
7	Leg Kit (4 pack)	HS-3512	4A0930-01	1	-							
	Caster Kit (includes items 8 and 9)	HS-3547	4A5341G01		1							
8	Caster		4A1347-01		3							
9	Brake Caster		4A1347-02		3							
10	Caster Shim Kit	HS-3590	4A3659A01		1							
11	Pan Overflow Kit (includes items 12-14a)	HS-3521	3A1666A01	1	1							
12	Overflow Pan		4A3419G01	1	1							
13	Overflow Pan Bracket (A)		4A0878-01	1	1							
13a	T2 Screw	4x8, SS	7P32-0408	2	2							
14	Overflow Pan Bracket (B)		4A0879-01	1	1							
14a	T2 Screw	4x8, SS	7P32-0408	2	2							
15	Emblem		4A0560-01	1	1							
16	Penguin Label		456246-02	1	1							