

# Hoshizaki America, Inc.

## Professional Series Refrigerated Kitchen Equipment

Model  
RIR2-SSB



“A Superior Degree  
of Reliability”

[www.hoshizaki.com](http://www.hoshizaki.com)

## PARTS LIST



Number: 71329  
Issued: 6-24-2011

## CONTENTS

Auxiliary Codes.....	3
Note About Ordering Parts .....	3
A. Roll-In Assembly.....	4
B. Refrigeration Circuit.....	6
C. Control Box Assembly .....	9
D. Upper Panel & Control Panel Assemblies .....	10
E. Door-Right Hinged.....	12
F. Door-Left Hinged .....	14
G. Accessories & Packaging.....	16

## **Auxiliary Codes**

**RIR2-SSB**

A-5 July 2011

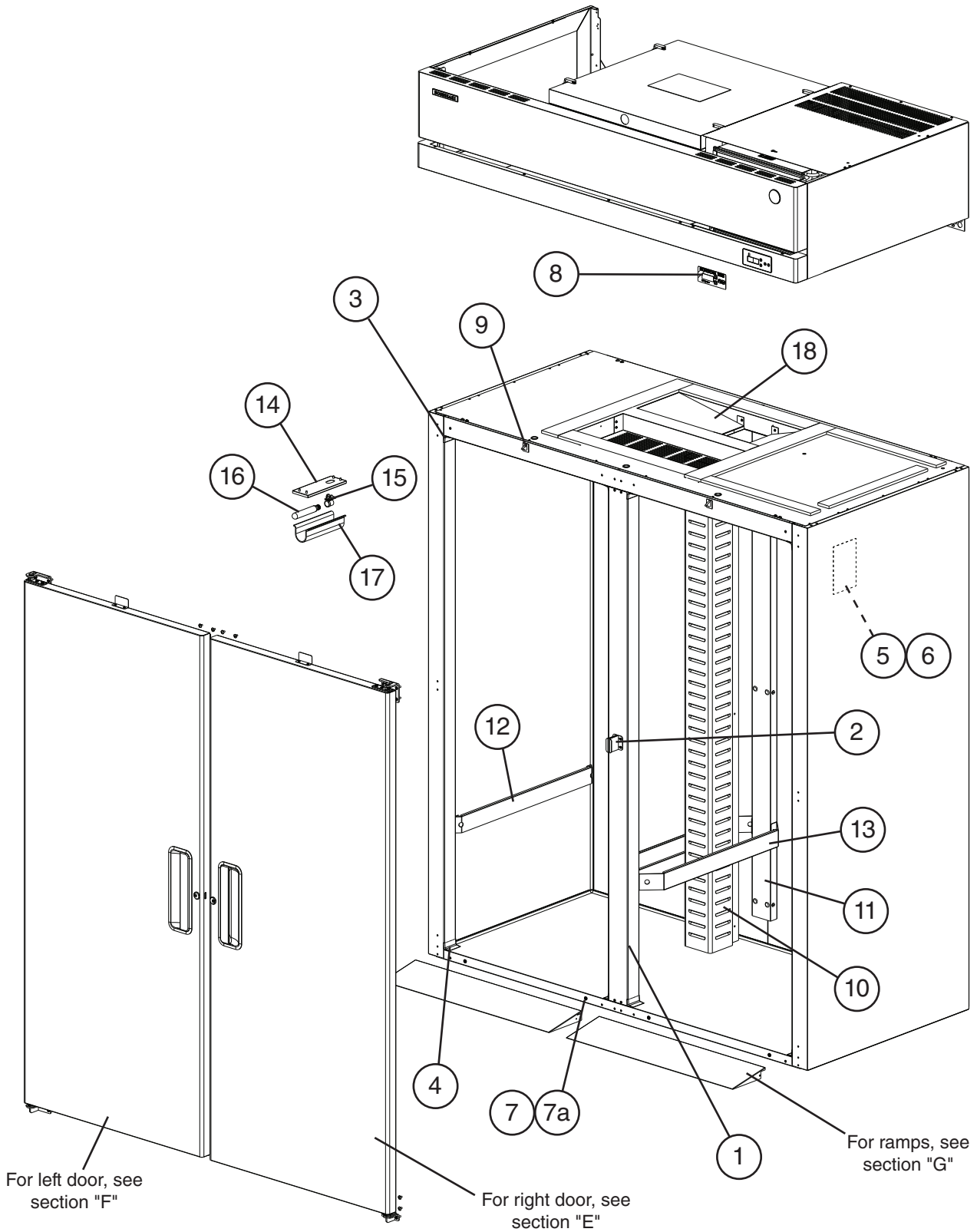
### **Auxiliary Code Breakdown**

The auxiliary code is the first two characters in the serial number. The first character indicates the year. Years progress or regress in alphabetical order. The series runs from "A" through "V" and the letters "I" and "O" are skipped. The second character indicates significant part changes within a year. Base is "5" and this number advances for each change. In cases where there is a letter in parentheses, this designates the month. This is the last character in the serial number. The series runs from "(A)" through "(M)" and the letter "(I)" is skipped. This designation is only included when identifying a parts change within an auxiliary code.

### **Note About Ordering Parts**

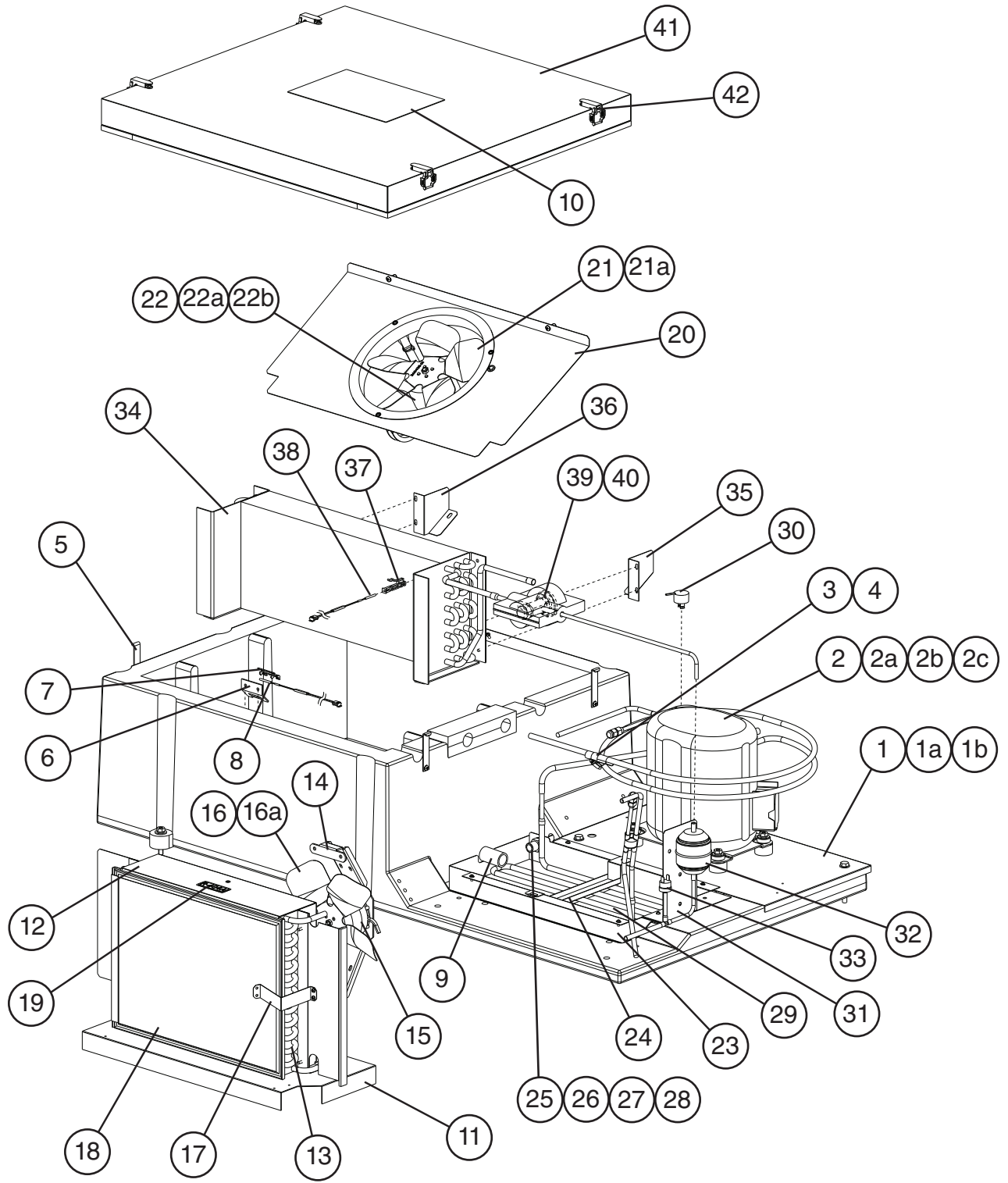
Most assemblies cannot be ordered as complete units; parts in the assemblies generally must be ordered separately.

**A. Roll-In Assembly**  
**RIR2-SSB**  
 A-5



Title: <b>A. Roll-In Assembly</b> Models: <b>RIR2-SSB</b>												
Index No.	Description	Material or Model Number	Part Number	Required Number								
				A-5								
<b>Roll-In Assembly</b>			1A1846A01	1								
<b>Order Assembly Parts Individually</b>												
1	Vertical Mullion (includes item 2)		2A5228G01	1								
2	Strike Plate		4A4590-01	2								
3	Corner Cover (top)		3A1751-01	4								
4	Shaved Corner Cover (bottom)		3A4731G01	4								
5	Nameplate		2A4523-03	1								
6	Nameplate Cover		4A3727-01	1								
7	Taper Collar		4H0171-01	4								
7a	Countersunk Screw	5x20, SS	7C42-0520	4								
8	Display Label		3A5788-01	1								
9	Door Switch		3A1826-01	2								
10	Air Distributor		1A1865-01	1								
11	Air Distributor Bracket		3A6862G01	1								
12	Outer Rack Guide		3A4707-01	2								
13	Center Rack Guide		3A5515-02	2								
14	Light Plate		3A4732-01	2								
15	Light Socket		4A4443-01	2								
16	Light Bulb		4A4444-01	2								
17	Light Cover		3A4733-01	2								
18	Air Baffle		2A5229-21	1								

**B. Refrigeration Circuit**  
**RIR2-SSB**  
A-5



Title: <b>B. Refrigeration Circuit</b> Model: <b>RIR2-SSB</b>												
Index No.	Description	Material or Model Number	Part Number	Required Number								
				A-5								
<b>Refrigeration Circuit Order Assembly Parts Individually</b>			1A1452A01	1								
1	Compressor Base		2A1145G01	1								
1a	Hex Head Bolt	8x70	7B01-0870	2								
1b	Flat Washer	M8	7W21-0800	2								
2	Compressor		2A1295-01	1								
2a	Grommet		434403-01	4								
2b	Spacer		434404-01	4								
2c	Bolt	8x45	437889-01	4								
3	Expansion Valve Bulb Holder		3A0107-01	1								
4	Clamp		443461-01	1								
5	Catch Latch		4A3987-01	4								
6	Cabinet Thermistor Mount Bracket		433964-01	1								
7	Cabinet Thermistor Clip Bracket		433920-01	1								
8	Cabinet Thermistor		4A1429-01	1								
9	Evaporator Drain Pipe		3A0143-01	1								
10	Wiring Label		2A2349-01	1								
11	Condenser Base		2A1217-01	1								
12	Condenser Shroud		3A6861G01	1								
13	Condenser		2A0261-01	1								
14	Condenser Fan Bracket		3A1564-01	1								
15	Condenser Fan Motor (includes mounting screws)		4A0408-01	1								
16	Condenser Fan Blade		3A0436-01	1								
16a	Hex Nut		4A1345-01	1								
17	Condenser Filter Retainer		4A2138-01	1								
18	Condenser Filter		3A0277-02	1								
19	R404A Label		4A0960-01	1								
20	Evaporator Fan Shroud		1A1274-03	1								
21	Evaporator Fan Blade		3A0436-01	1								
21a	Hex Nut		4A1345-01	1								
22	Evaporator Fan Motor Assembly (includes fan motor bracket)		4A0411-01	1								
22a	Lock Washer		4A0459-01	3								
22b	T2 Screw	4x8, SS	7P32-0408	3								
23	Evaporator Drain Pan		2A0200-02	1								
24	Condensate Coil Strap		3A0413-03	1								
25	Overflow Drain Fitting w/Nut		4A2182-01	1								
26	Rubber Gasket		413854-03	1								
27	Silicone Hose	L=350	7730I3812	1								
28	Elbow		4A0711-01	1								
29	Condensate Coil		2A1856-01	1								
30	Clogged Filter Thermostat		4A0484-01	1								
31	Drier Bracket		4A4281-01	1								
32	Drier		4A0924-01	1								
33	High-Pressure Switch		4A2516-02	1								

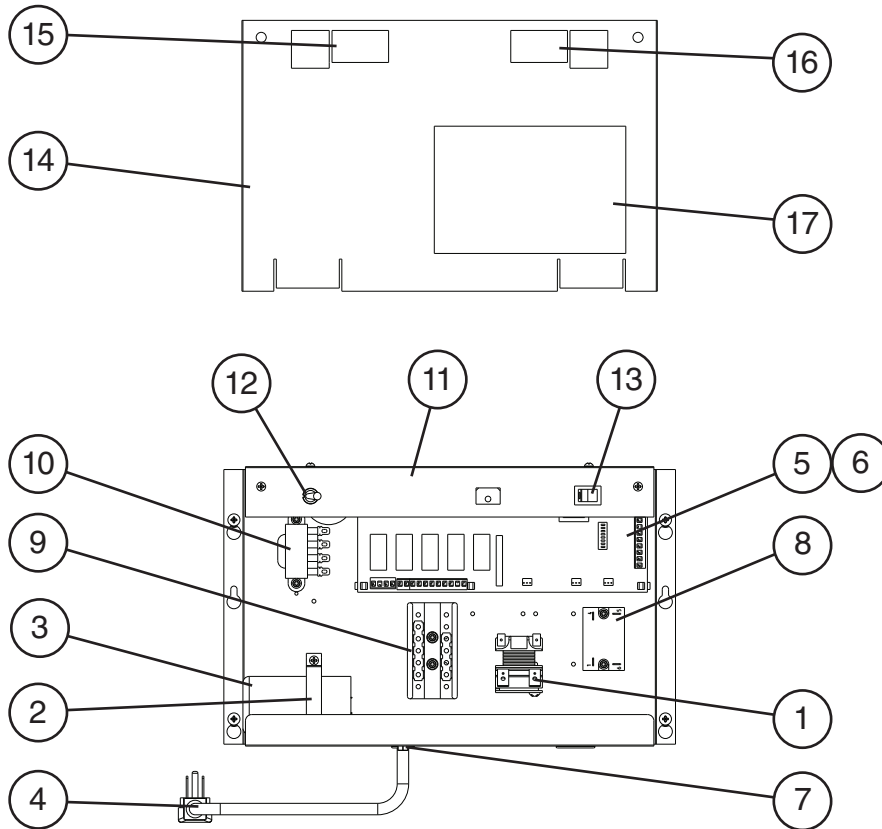
Title: <b>B. Refrigeration Circuit</b> Model: <b>RIR2-SSB</b>												
Index No.	Description	Material or Model Number	Part Number	Required Number								
				A-5								
34	Evaporator		<a href="#">2A1382-01</a>	1								
35	Right Evaporator Shroud Bracket		<a href="#">4A0545-01</a>	1								
36	Left Evaporator Shroud Bracket		<a href="#">4A0548-01</a>	1								
37	Thermistor Clip		<a href="#">320418-01</a>	1								
38	Defrost Thermistor		<a href="#">4A1428-01</a>	1								
39	Expansion Valve		<a href="#">4A1711-01</a>	1								
40	Expansion Valve Cover		<a href="#">4A4646-01</a>	1								
41	Evaporator Case Cover (includes item 42)		2A4326A01	1								
42	Draw Latch		<a href="#">4A3988-01</a>	4								



# C. Control Box Assembly

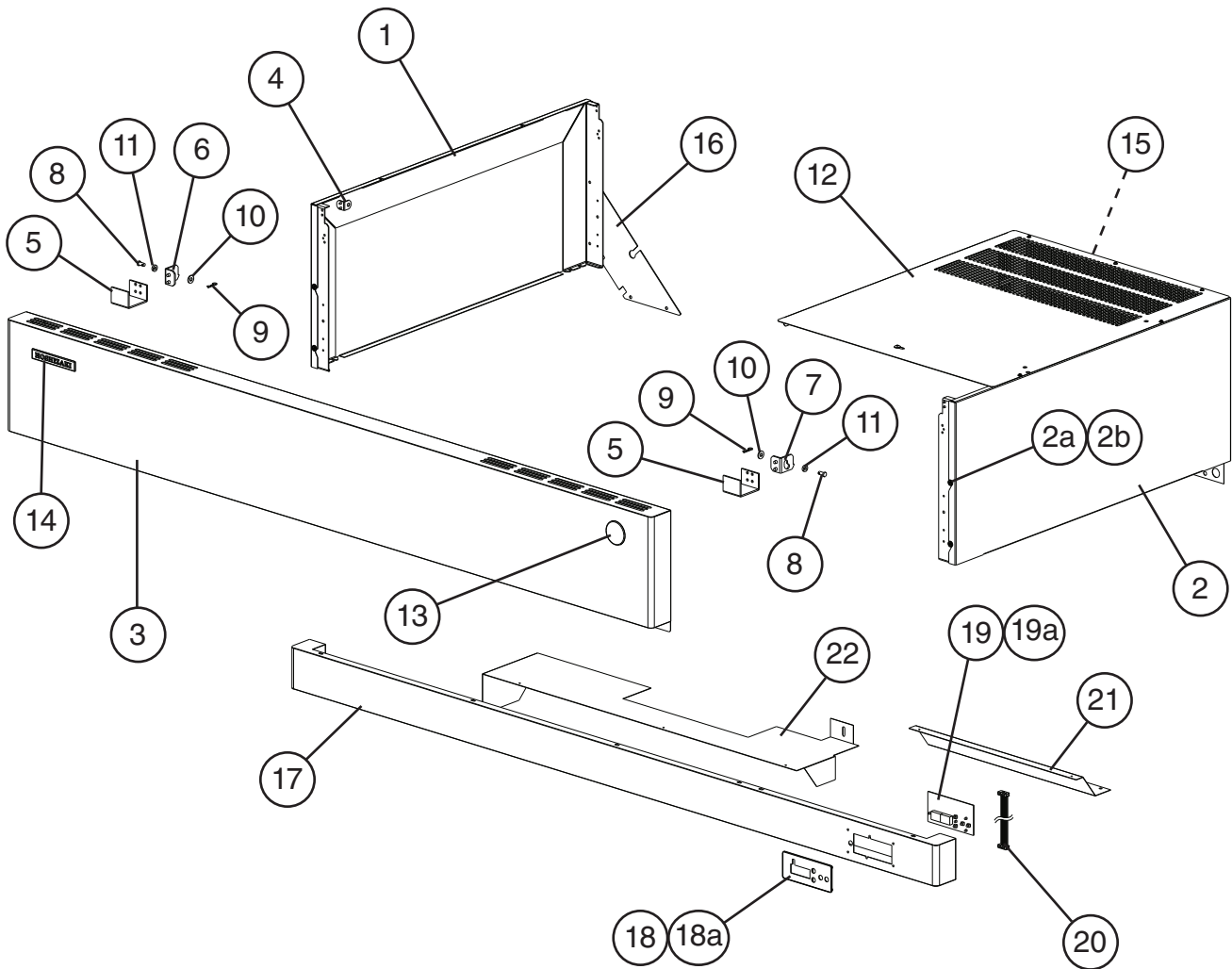
## RIR2-SSB

A-5



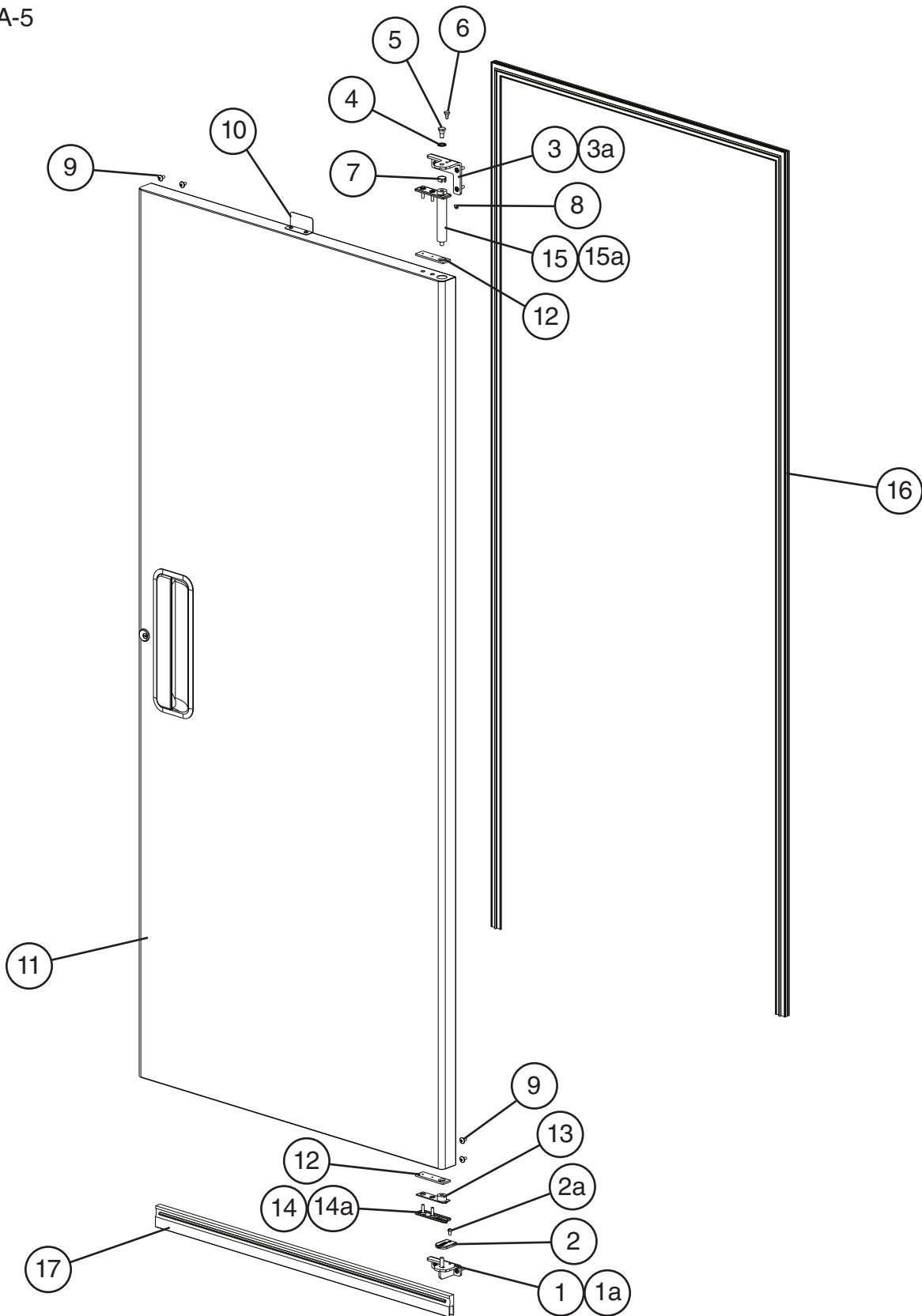
Title: C. Control Box Assembly Model: RIR2-SSB																
Index No.	Description	Material or Model Number	Part Number	Required Number												
				A-5												
<b>Control Box Assembly</b>			2A4391A01	1												
<b>Order Assembly Parts Individually</b>																
1	Start Relay		<a href="#">4A1709-01</a>	1												
2	Strap		<a href="#">434580-01</a>	1												
3	Start Capacitor		<a href="#">3A1142-01</a>	1												
4	Power Cord		<a href="#">4A0520-01</a>	1												
5	Control Board		<a href="#">2A2862-24</a>	1												
6	Board Support		<a href="#">4A0336-03</a>	6												
7	Ground Screw		<a href="#">433304-02</a>	1												
8	Compressor Relay		<a href="#">4A1307-01</a>	1												
9	Terminal Block		<a href="#">4A2619-01</a>	1												
10	Control Transformer		<a href="#">3A1759-01</a>	1												
11	Switch Bracket		<a href="#">2A1032-02</a>	1												
12	Power Switch		<a href="#">4A0424-01</a>	1												
13	Perimeter Heater Switch		<a href="#">4A0418-01</a>	1												
14	Control Box Cover		<a href="#">2A1031-01</a>	1												
15	Power Switch Label		4A2196-01	1												
16	Perimeter Heater Switch Label		4A1039-01	1												
17	Display Information Label		<a href="#">3A1413-01</a>	1												

**D. Upper Panel & Control Panel Assemblies**  
**RIR2-SSB**  
A-5



Title: <b>D. Upper Panel &amp; Control Panel Assemblies</b> Model: <b>RIR2-SSB</b>												
Index No.	Description	Material or Model Number	Part Number	Required Number								
				A-5								
<b>Upper Panel Assembly Order Assembly Parts Individually</b>			2A5231A01	1								
1	Side Top Frame		2A4487-01	2								
2	Side Top Panel		2A4488-01	2								
2a	Taper Collar		<a href="#">4H0171-01</a>	4								
2b	Countersunk Screw	5x20, SS	<a href="#">7C42-0520</a>	4								
3	Front Panel		<a href="#">1A1869-01</a>	1								
4	Hinge Bracket		<a href="#">4A2306-01</a>	2								
5	Hinge Channel		<a href="#">4A2170-01</a>	2								
6	Left Front Panel Hinge		<a href="#">4A2153-01</a>	1								
7	Right Front Panel Hinge		<a href="#">4A2154-01</a>	1								
8	Clevis Pin		<a href="#">8907-0102</a>	2								
9	Cotter Pin		<a href="#">8907-0103</a>	2								
10	Flat Washer		<a href="#">4A0655-03</a>	2								
11	Hinge Spacer		<a href="#">4A2473-01</a>	2								
12	Top Cover		<a href="#">2A1118-02</a>	1								
13	Penguin Label		<a href="#">456246-02</a>	1								
14	Emblem		<a href="#">4A0560-01</a>	1								
15	Rear Cover		<a href="#">2A1117-01</a>	1								
16	Frame Gusset		4A3856-01	1								
<b>Control Panel Assembly Order Assembly Parts Individually</b>			3A5516A01	1								
17	Control Panel		1A1868-01	1								
18	Display Board Mount		<a href="#">3A0823-01</a>	1								
18a	Palnut		<a href="#">4A1398-01</a>	6								
19	Display Board		<a href="#">2A0883-01</a>	1								
19a	Nylon Screw		<a href="#">4A1397-01</a>	4								
20	Ribbon Cable		<a href="#">4A1106-02</a>	1								
21	Display Board Cover		3A5517-01	1								
22	Wire Cover		2A5230-01	1								

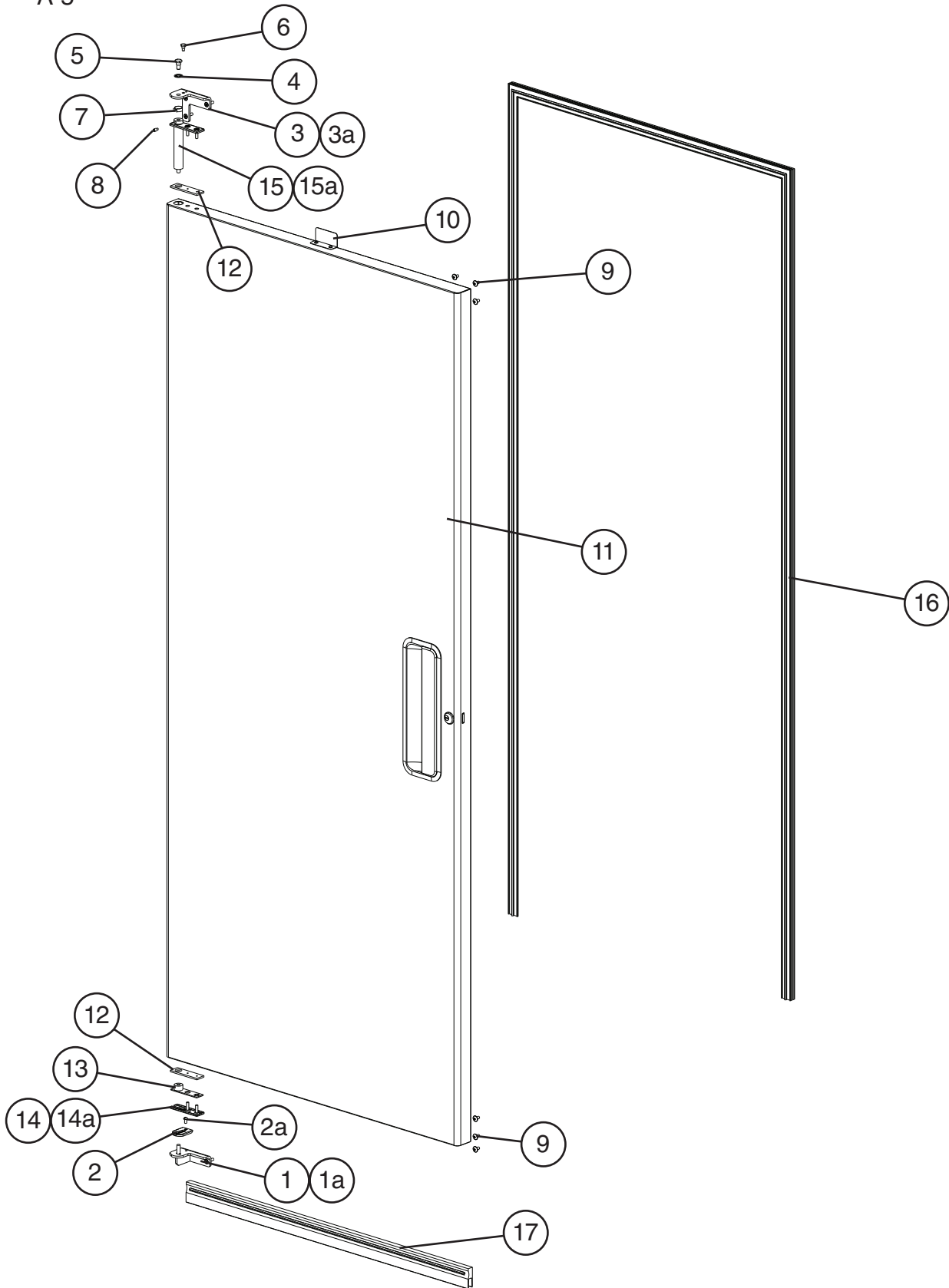
**E. Door-Right Hinged**  
**Full Solid: RIR2-SSB**  
A-5



Title: <b>E. Door-Right Hinged</b> Model: <b>Full Solid: RIR2-SSB</b>												
Index No.	Description	Material or Model Number	Part Number	Required Number								
				A-5								
<b>Door-Right Hinged; Full Solid Order Assembly Parts Individually</b>			2A4759A01	1								
1	Door Hinge Bracket (LR)		3A5132G01	1								
1a	Countersunk Screw	5x20, SS	7C42-0520	2								
2	Female Hinge Bottom Plate (R)		4A0441-01	1								
2a	Stop Plate Screw		4A0483-01	1								
3	Door Hinge Bracket (UR)		3A1580-01	1								
3a	Countersunk Screw	5x20, SS	7C42-0520	3								
4	Hinge Lock Washer		4A0553-01	1								
5	Hinge Pivot Pin		4A2179-01	1								
6	Hinge Stop Pin		4A2180-01	1								
7	Hinge Bushing Cover		4A0445-01	1								
8	Hinge Tension Screw		4A0446-01	1								
9	Truss Head Screw (fill screws)	5x10, SS	7C32-0510	9								
10	Door Switch Bracket		4A4430-01	1								
11	Door Assembly (includes items 12 through 17)		1A1624G01	1								
12	Foam Pad		4A2257-01	2								
13	Hinge Bottom Bushing (R)		4A0439-01	1								
14	Male Hinge Bottom Plate (R)		4A0440-01	1								
14a	Countersunk Screw	5x20, SS	7C42-0520	2								
15	Hinge Spring Cartridge (R)		4A0438-01	1								
15a	Countersunk Screw	5x20, SS	7C42-0520	2								
16	Three-Sided Door Gasket		2A4482-01	1								
17	Sweep Gasket		3A4704-01	1								

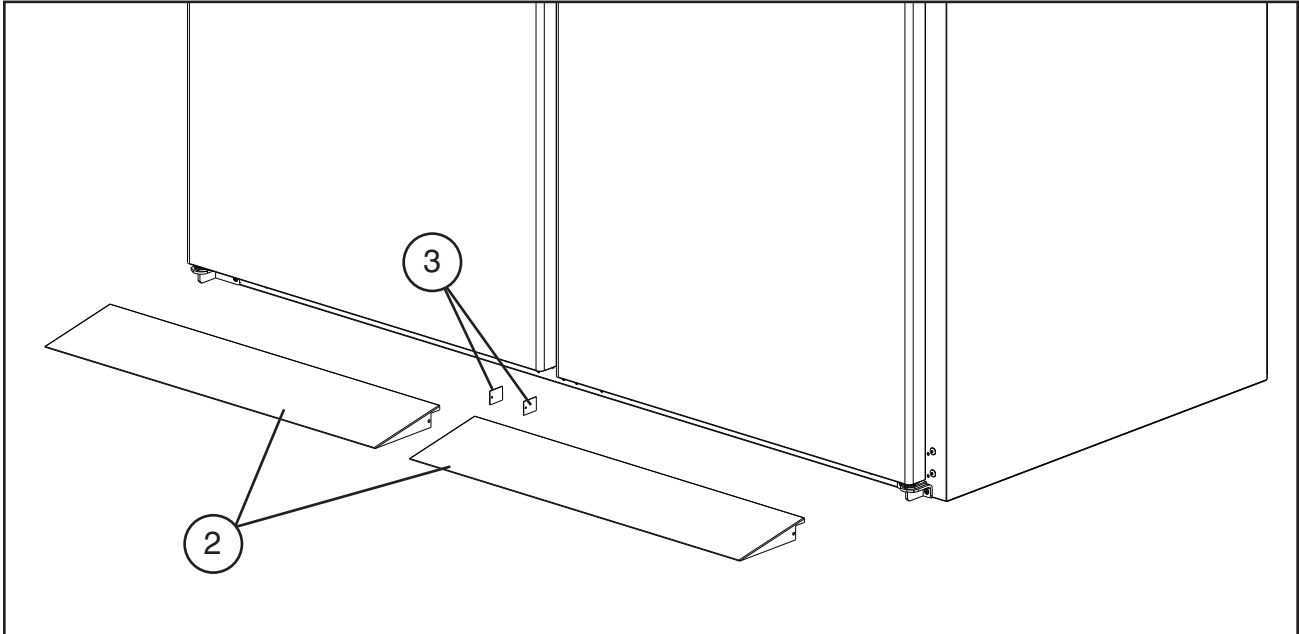
**F. Door-Left Hinged**  
**Full Solid: RIR2-SSB**

A-5



Title: <b>F. Door-Left Hinged</b> Model: <b>Full Solid: RIR2-SSB</b>												
Index No.	Description	Material or Model Number	Part Number	Required Number								
				A-5								
<b>Door-Left Hinged; Full Solid Order Assembly Parts Individually</b>			2A4760A01	1								
1	Door Hinge Bracket (LL)		3A5131G01	1								
1a	Countersunk Screw	5x20, SS	7C42-0520	2								
2	Female Hinge Bottom Plate (L)		4A0441-02	1								
2a	Stop Plate Screw		4A0483-01	1								
3	Door Hinge Bracket (UL)		3A1581-01	1								
3a	Countersunk Screw	5x20, SS	7C42-0520	3								
4	Hinge Lock Washer		4A0553-01	1								
5	Hinge Pivot Pin		4A2179-01	1								
6	Hinge Stop Pin		4A2180-01	1								
7	Hinge Bushing Cover		4A0445-01	1								
8	Hinge Tension Screw		4A0446-01	1								
9	Truss Head Screw (fill screws)	5x10, SS	7C32-0510	9								
10	Door Switch Bracket		4A4430-01	1								
11	Door Assembly (includes items 12 through 17)		1A1626G01	1								
12	Foam Pad		4A2257-01	2								
13	Hinge Bottom Bushing (L)		4A0439-02	1								
14	Male Hinge Bottom Plate (L)		4A0440-02	1								
14a	Countersunk Screw	5x20, SS	7C42-0520	2								
15	Hinge Spring Cartridge (L)		4A0438-02	1								
15a	Countersunk Screw	5x20, SS	7C42-0520	2								
16	Three-Sided Door Gasket		2A4482-01	1								
17	Sweep Gasket		3A4704-01	1								

**G. Accessories & Packaging**  
**RIR2-SSB**  
 A-5



Title: <b>G. Accessories &amp; Packaging</b>		Model: <b>RIR2-SSB</b>		Required Number										
Index No.	Description	Material or Model Number	Part Number	A-5										
1	Instruction Manual		91A3ME10C	1										
2	Ramp		<a href="#">2A4832-01</a>	2										
3	Ramp Filler Bracket		<a href="#">4A4591-01</a>	2										
	Packaging		1A1870A01											