



# HOSHIZAKI

## Parts List

Condensing Unit  
Serenity Series

Models  
SRK-10H



[hoshizakiamerica.com](http://hoshizakiamerica.com)

Number: 71312  
Issued: 12-22-2010  
Revised: 5-4-2016

## CONTENTS

Auxiliary Codes.....	3
Note About Ordering Parts .....	3
A. Main Assembly & Refrigeration Circuit .....	4
B Control Box Assembly .....	6
C. Accessories & Labels .....	7

## **Auxiliary Codes**

### **SRK-10H**

V-0	August 2010
A-0	January 2011
B-0	June 2012
C-0	January 2013
C-1	August 2013
D-0	January 2014
E-0	April 2015
F-0	January 2016

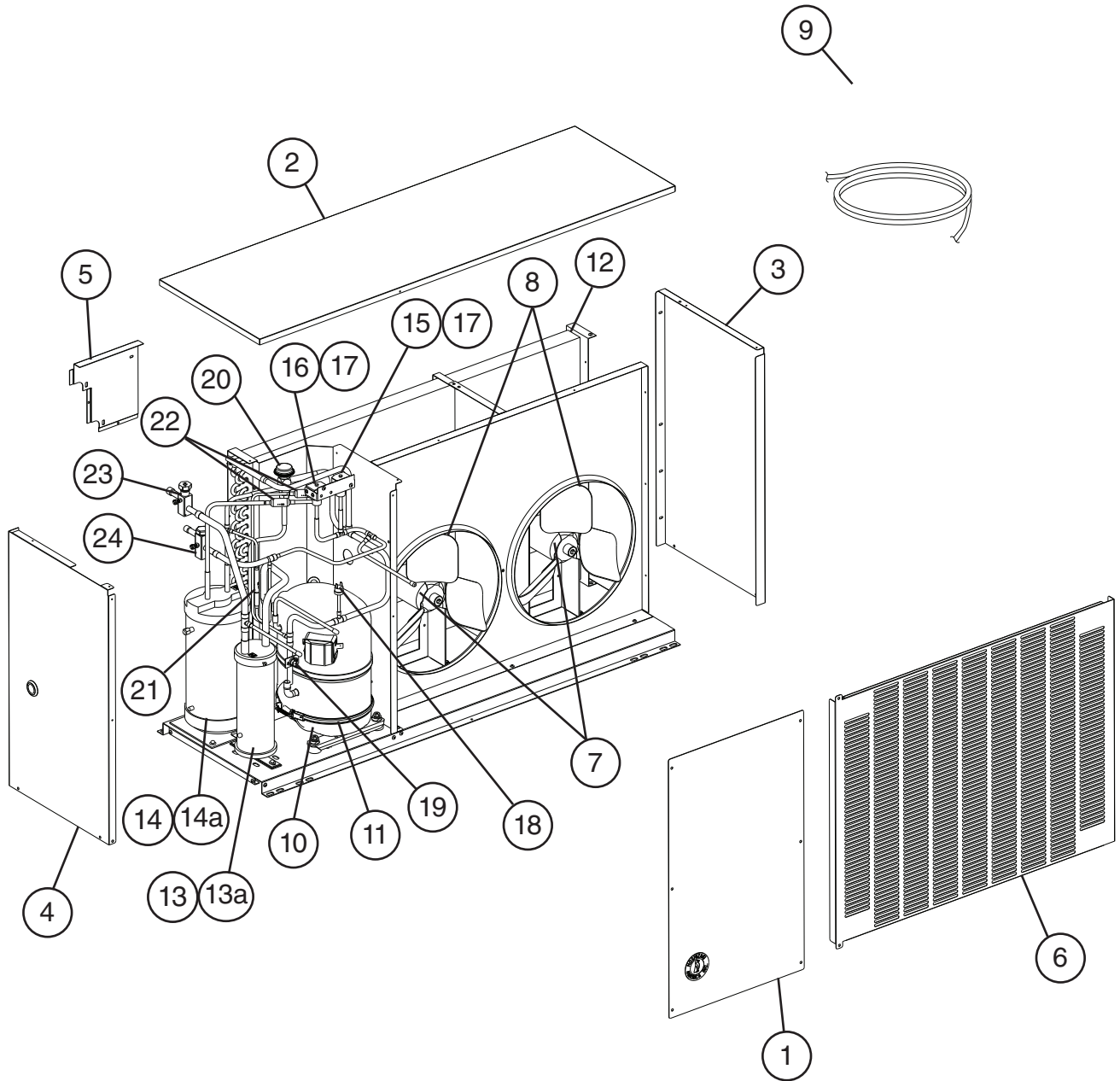
## **Auxiliary Code Breakdown**

The auxiliary code is the first two characters in the serial number. The first character indicates the year. Years progress or regress in alphabetical order. The series runs from "A" through "V" and the letters "I" and "O" are skipped. The second character indicates significant part changes within a year. Base is "0" and this number advances for each change. In cases where there is a letter in parentheses, this designates the month. This is the last character in the serial number. The series runs from "(A)" through "(M)" and the letter "(I)" is skipped. This designation is only included when identifying a parts change within an auxiliary code.

## **Note About Ordering Parts**

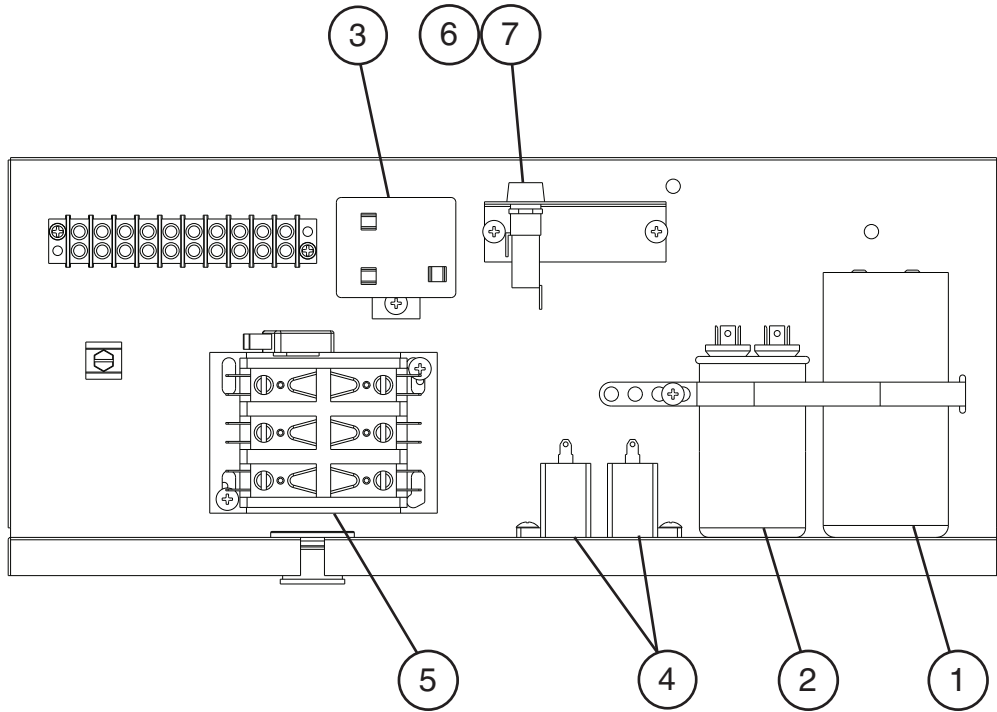
Most assemblies cannot be ordered as complete units; parts in the assemblies generally must be ordered separately.

**A. Main Assembly & Refrigeration Circuit**  
**SRK-10H**  
V-0 to F-0



Title: A.Main Assembly & Refrigeration Circuit Model: SRK-10H											
Index No.	Description	Material or Model Number	Part Number	Required Number							
				V-0 to A-0	B-0 to C-0	C-1 to F-0					
<b>Main Assembly</b>											
1	Front Panel		3A3293-01	1	1	1					
2	Top Panel		2A3242-01	1	1	1					
3	Right Side Panel		3A3291-01	1	1	1					
4	Left Side Panel		2A4981-01	1	1	1					
5	Refrigerant Access Panel		4A4739-01	1	1	1					
6	Louver Panel		2A3241-01	1	1	1					
7	Fan Motor		4A3201-01	2	2	2					
8	Fan Blade		4A3614-01	2	2	2					
9	Wire Kit		4A5657-02			1					
<b>Refrigeration Circuit</b>											
10	Compressor (B-0 and later utilize external crankcase heater - item 11)		4A1539-02	1	-						
			4A1539-03		1	1					
11	Crankcase Heater		4A5397-02		1	1					
12	Condenser		1A0980-01	1	1	1					
13	Accumulator		3A4276-01	1	1	1					
13a	Bolt	5x12	7B0230512	2	2	2					
14	Receiver		438209-01	1	1	1					
14a	Bolt	5x12	7B0230512	2	2	2					
15	Hot Gas Valve Body		4A3978-01	1	1	1					
16	Liquid Line Valve Body		4A3276-01	1	1	1					
17	Valve Coil		4A3277-01	2	2	2					
18	High-Pressure Switch		463180-01	1	1	1					
19	Discharge Line Thermostat		440664-01	1	1	1					
20	Headmaster (C.P. R.)		4A0229-02	1	1	1					
21	Check Valve		4A1373-01	1	1	1					
22	Strainer		441569-02	2	2	2					
23	Suction Line Shutoff Valve		4A3490-01	1	1	1					
24	Liquid Line Shutoff Valve		4A2215-01	1	1	1					

**B Control Box Assembly**  
**SRK-10H**  
 V-0 to F-0

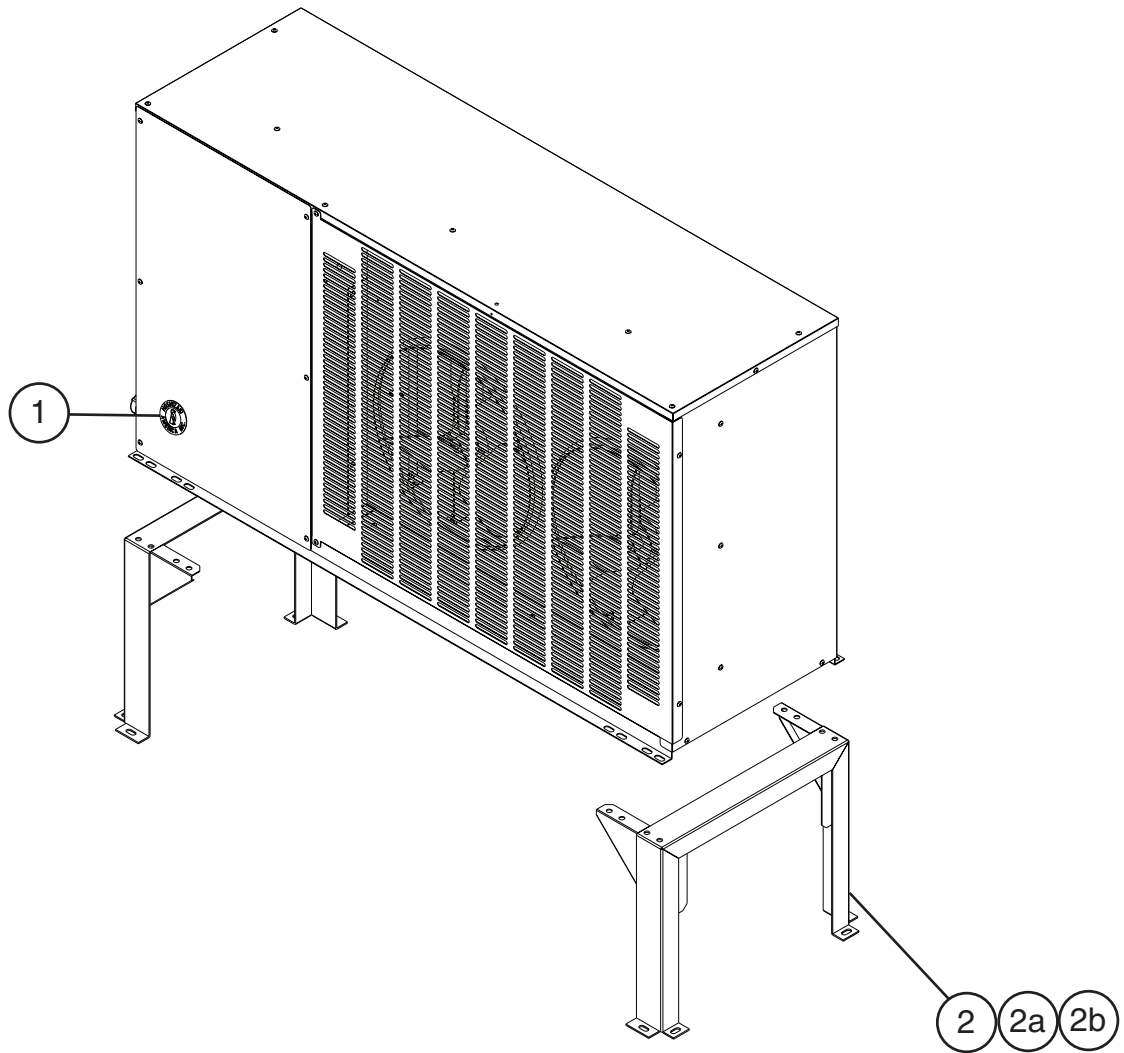


Title: B. Control Box Assembly Model: SRK-10H										
Index No.	Description	Material or Model Number	Part Number	Required Number						
				V-0 to F-0						
1	Start Capacitor	145-174MFD, 220VAC	<a href="#">3A0076-11</a>	1						
2	Run Capacitor	30MFD, 370VAC	<a href="#">3A2005-03</a>	1						
3	Start Relay		<a href="#">4A1107-13</a>	1						
4	Fan Motor Capacitor	10MFD, 250VAC	<a href="#">443192-01</a>	2						
5	Magnetic Contactor		<a href="#">4A0794-01</a>	1						
6	Fuse Holder		<a href="#">4A5443-01</a>	1						
7	Fuse	AGC-10A, 250VAC	<a href="#">4A0893-07</a>	1						

## C. Accessories & Labels

### SRK-10H

V-0 to F-0



Title: C. Accessories & Labels		Model: SRK-10H		Required Number								
Index No.	Description	Material or Model Number	Part Number	V-0 to F-0								
1	Penguin Label HA (R)		4A0526-01	1								
2	Leg		3A3716G01	2								
2a	Hex Bolt Assembly w/Washers	8x16, SS	7B0230816	16								
2b	Hex Nut	M8, SS	7N12-0800	16								