



# HOSHIZAKI

## Parts List

Condensing Unit  
Serenity Series

Models  
SRK-8H/3



[hoshizakiamerica.com](http://hoshizakiamerica.com)

Number: 71325  
Issued: 5-17-2011  
Revised: 6-7-2017

## CONTENTS

Auxiliary Codes.....	3
Note About Ordering Parts .....	3
A. Main Assembly & Refrigeration Circuit .....	4
B. Control Box Assembly.....	6
C. Accessories & Labels .....	7

## Auxiliary Codes

<b>SRK-8H</b>	A-0	March 2011
	A-1	June 2011
	B-0	May 2012
	C-0	April 2013
	C-1	September 2013
	D-0	April 2014
	E-0	January 2015
	F-0	March 2016
G-0	January 2017	
<b>SRK-8H3</b>	A-1	May 2011
	D-0	February 2014

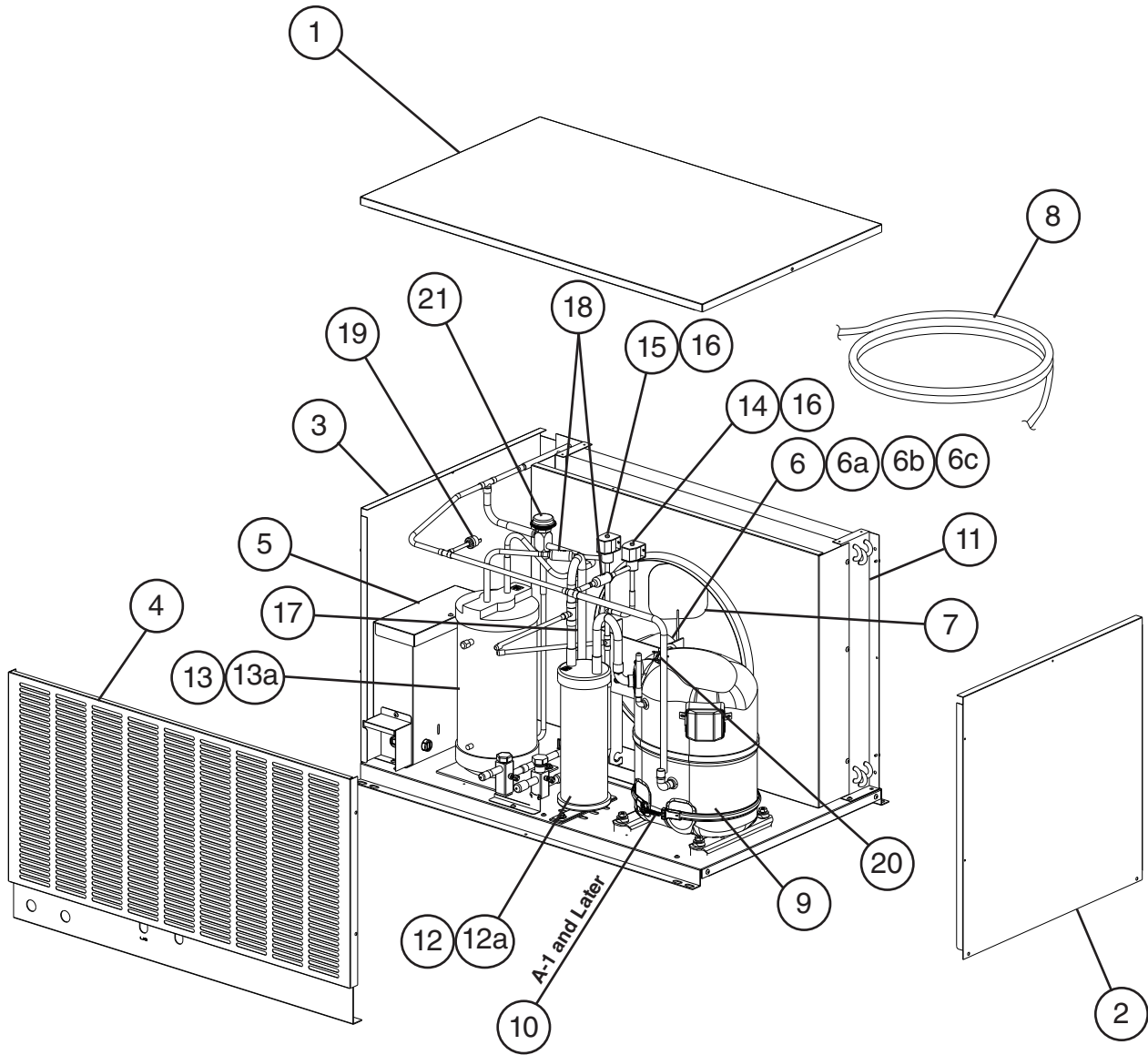
## Auxiliary Code Breakdown

The auxiliary code is the first two characters in the serial number. The first character indicates the year. Years progress or regress in alphabetical order. The series runs from "A" through "V" and the letters "I" and "O" are skipped. The second character indicates significant part changes within a year. Base is "0" and this number advances for each change. In cases where there is a letter in parentheses, this designates the month. This is the last character in the serial number. The series runs from "(A)" through "(M)" and the letter "(I)" is skipped. This designation is only included when identifying a parts change within an auxiliary code.

## Note About Ordering Parts

Most assemblies cannot be ordered as complete units; parts in the assemblies generally must be ordered separately.

**A. Main Assembly & Refrigeration Circuit**  
**SRK-8H/3**  
 A-0 to G-0

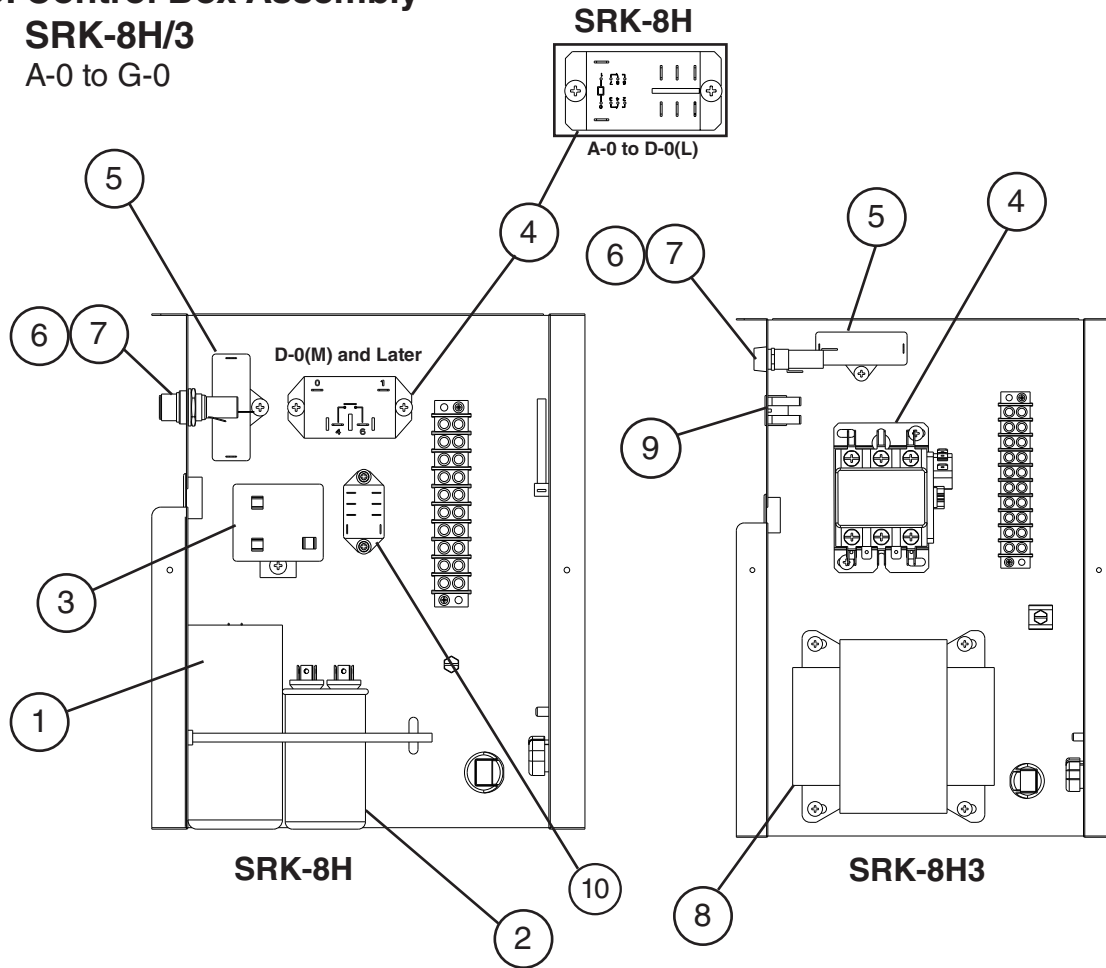


Title: A.Main Assembly & Refrigeration Circuit Model: SRK-8H/3												
Index No.	Description	Material or Model Number	Part Number	Required Number								
				A-0	A-1 to G-0							
<b>Main Assembly</b>												
1	Top Panel		2A6248-01	1	1							
2	Right Side Panel		2A6245-01	1	1							
3	Left Side Panel		2A6246-01	1	1							
4	Louver Panel		2A6247-01	1	1							
5	Control Box Cover	SRK-8H	3A6387-01	1	1							
		SRK-8H3	3A6459-01	1	1							
6	Fan Motor q		4A3201-01	1	1							
6a	Split Lock Washer		7L2110800	4	4							
6b	Flat Washer		7W2110800	4	4							
6c	Hex Nut		7N0110832	4	4							
7	Fan Blade		4A1493-01	1	1							
8	Wire Harness		4A5657-02	1	1							
<b>Refrigeration Circuit</b>												
9	Compressor (A-1 and later utilize external crankcase heater - item 10)	SRK-8H	4A1539-02	1	-							
			4A1539-03		1							
		SRK-8H3	4A5339-01	1	1							
10	Crankcase Heater		4A5397-02		1							
11	Condenser		1A1231-01	1	1							
12	Accumulator		3A4276-01	1	1							
12a	Bolt	5x12	7B0230512	2	2							
13	Receiver		438209-01	1	1							
13a	Bolt	5x12	7B0230512	3	3							
14	Hot Gas Valve Body		4A3978-01	1	1							
15	Liquid Line Valve Body		4A3276-01	1	1							
16	Valve Coil		4A3277-01	2	2							
17	Check Valve		4A1373-01	1	1							
18	Strainer		441569-02	2	2							
19	High-Pressure Switch		463180-01	1	1							
20	Discharge Line Thermostat		440664-01	1	1							
21	Headmaster (Condenser Pressure Regulator C.P.R)		4A0229-02	1	1							

## B. Control Box Assembly

### SRK-8H/3

A-0 to G-0

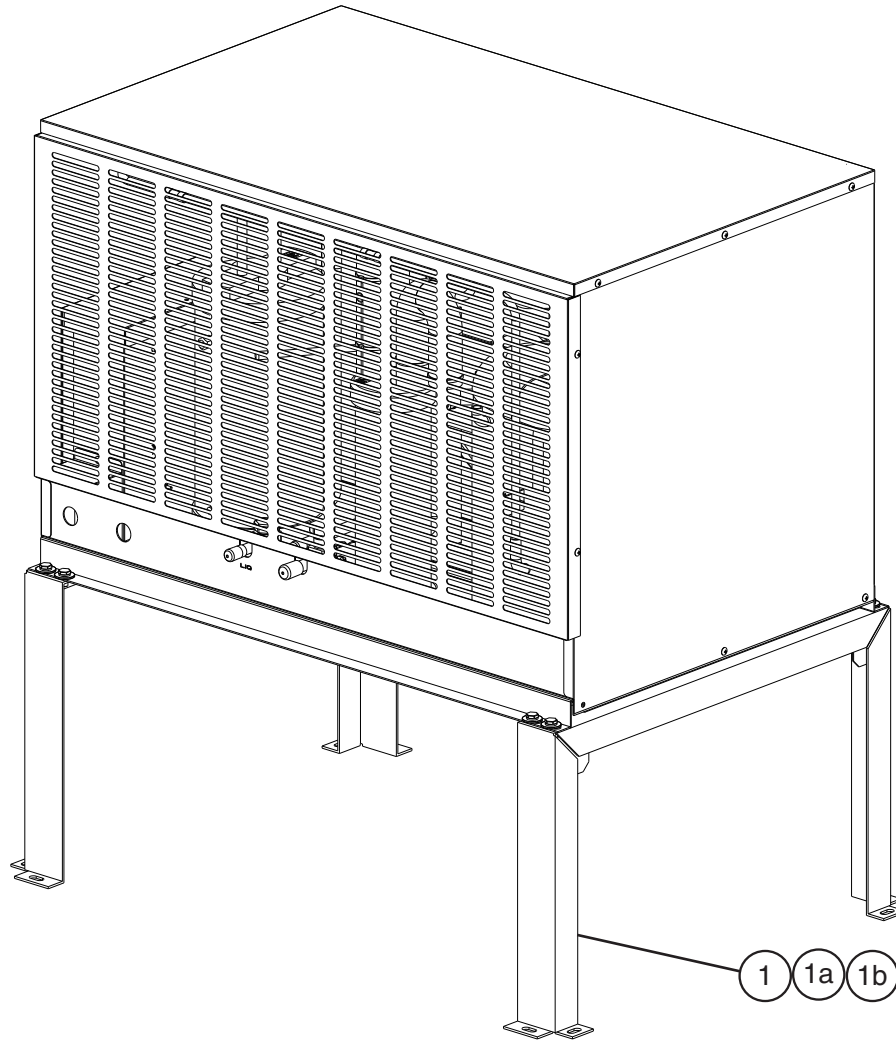


Title: B. Control Box Assembly Model: SRK-8H/3				Required Number								
Index No.	Description	Material or Model Number	Part Number	A-0 to C-0	C-1 to D-0 (L)	D-0 (M) to G-0						
				1	Start Capacitor	<b>SRK-8H</b> 145-174MFD, 220VAC	<a href="#">3A0076-11</a>	1	1	1		
2	Run Capacitor	<b>SRK-8H</b> 30MFD, 370VAC	<a href="#">3A2005-03</a>	1	1	1						
3	Start Relay	<b>SRK-8H</b>	<a href="#">4A1107-13</a>	1	1	1						
4	Compressor Relay	<b>SRK-8H</b>	<a href="#">4A5096-01</a>	1	1	-						
	Magnetic Contactor	<b>SRK8H3</b>	<a href="#">4A0794-01</a>	1	1	1						
5	Fan Motor Capacitor	10MFD, 250VAC	<a href="#">443192-01</a>	1	1	1						
6	Fuse Holder		<a href="#">4A5443-01</a>	1	1	1						
7	Fuse	AGC-10A, 250VAC	<a href="#">4A0893-07</a>	1	1	1						
8	Main Transformer	<b>SRK-8H3</b>	<a href="#">4A0817-01</a>	1	1							
9	Voltage Tap Switch	<b>SRK-8H3</b>	<a href="#">4A1477-01</a>	1	1							
10	Crankcase Heater Relay	<b>SRK-8H</b>	<a href="#">406132-07</a>			1						

## C. Accessories & Labels

### SRK-8H/3

A-0 to G-0



Title: C. Accessories & Labels		Model: SRK-8H/3		Required Number								
Index No.	Description	Material or Model Number	Part Number	A-0 to G-0								
1	Leg		<a href="#">2A3166G01</a>	2								
1a	Hex Head Bolt w/Washer	8x16, SS	<a href="#">7B0230816</a>	8								
1b	Hex Nut	M8, SS	<a href="#">7N12-0800</a>	8								