
NO. 71128

ISSUED: JAN. 8, 1999

REVISED: JULY 30, 2002



**HOSHIZAKI
STACKABLE CRESCENT CUBER**

MODEL

KM-1600SWF

KM-1600SRF

KM-1600SWF3

KM-1600SRF3

(FINAL) PARTS LIST

KM-1600SWF	H-1	JULY 1998
	H-2	OCT. 1998
	J-0	DEC. 1998
	K-0	MARCH 2000
	L-0	DEC. 2000
KM-1600SRF	H-0	MAY 1998
	H-1	SEP. 1998
	H-2	OCT. 1998
	J-1	JAN. 1999
	K-0	DEC. 1999
	L-0	DEC. 2000
KM-1600SWF3	H-1	JULY 1998
	J-1	MARCH 1999
	K-0	MARCH 2000
	L-0	FEB. 2001
KM-1600SRF3	H-0	MAY 1998
	H-1	SEP. 1998
	H-2	OCT. 1998
	J-0	DEC. 1998
	K-0	DEC. 1999
	L-0	MARCH 2001

MATERIAL ABBREVIATIONS

ALUMINUM

AL = Aluminum

COPPER

CU = Copper

PLASTIC

ABS = Acrylonitrile -butadiene - styrene
 AC = Polyacetal
 EVA = Ethylene vinyl acetate
 PA = Polyamide = Nylon
 PC = Polycarbonate
 PE = Polyethylene
 PES = Polyester
 PETP = Polyethylene terephthalate = Tetlon
 PP = Polypropylene
 PS = Polystyrene
 PIFE = Polytetrafluoroethylene = Teflon
 PUR = Polyurethane
 PVC = Polyvinyl chloride

RUBBER

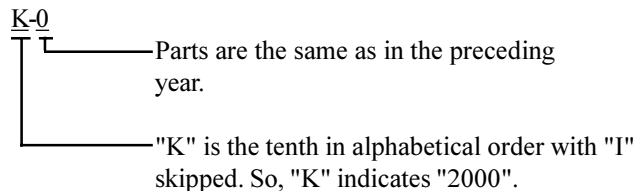
VN = Vinyl Nitrile
 EPDM = EP rubber
 NBR = Nitrile butadiene rubber
 NR = Natural rubber
 NP = Neoprene
 SIR = Silicone rubber
 SYR = Synthetic rubber
 EPH = Epichlorohydrin

STEEL

GS = Galvanized steel
 SS = Stainless steel
 PS = Plated steel
 PAS = Primed steel

AUXILIARY CODE

Ex.1

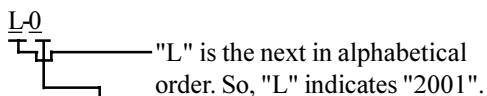


(Note) - = Part deleted.

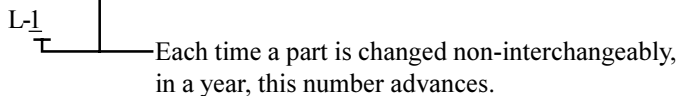
x = Part deleted and replaced by "o" part.

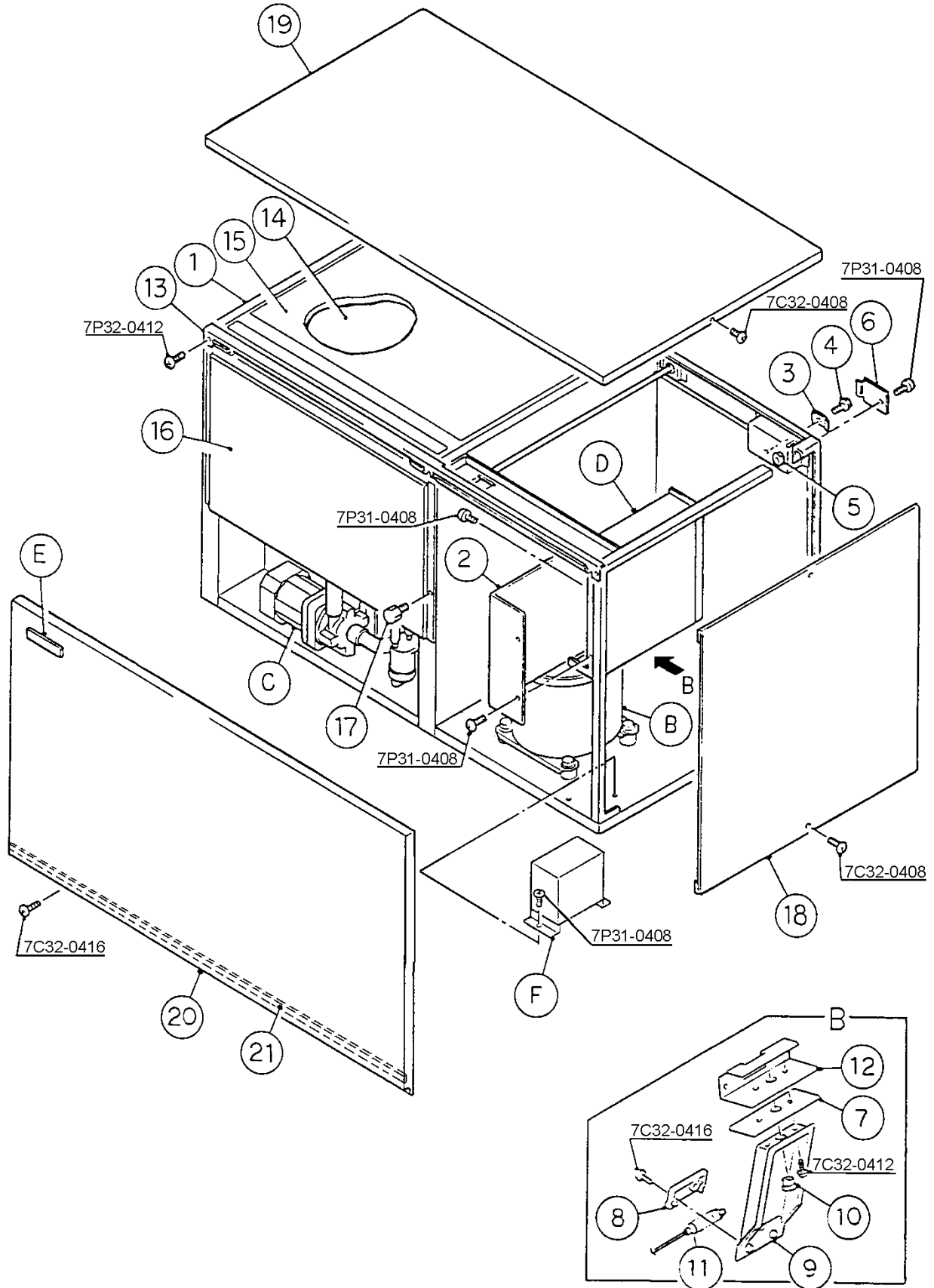
o = New part for "x" in the same auxiliary code.

Ex.2



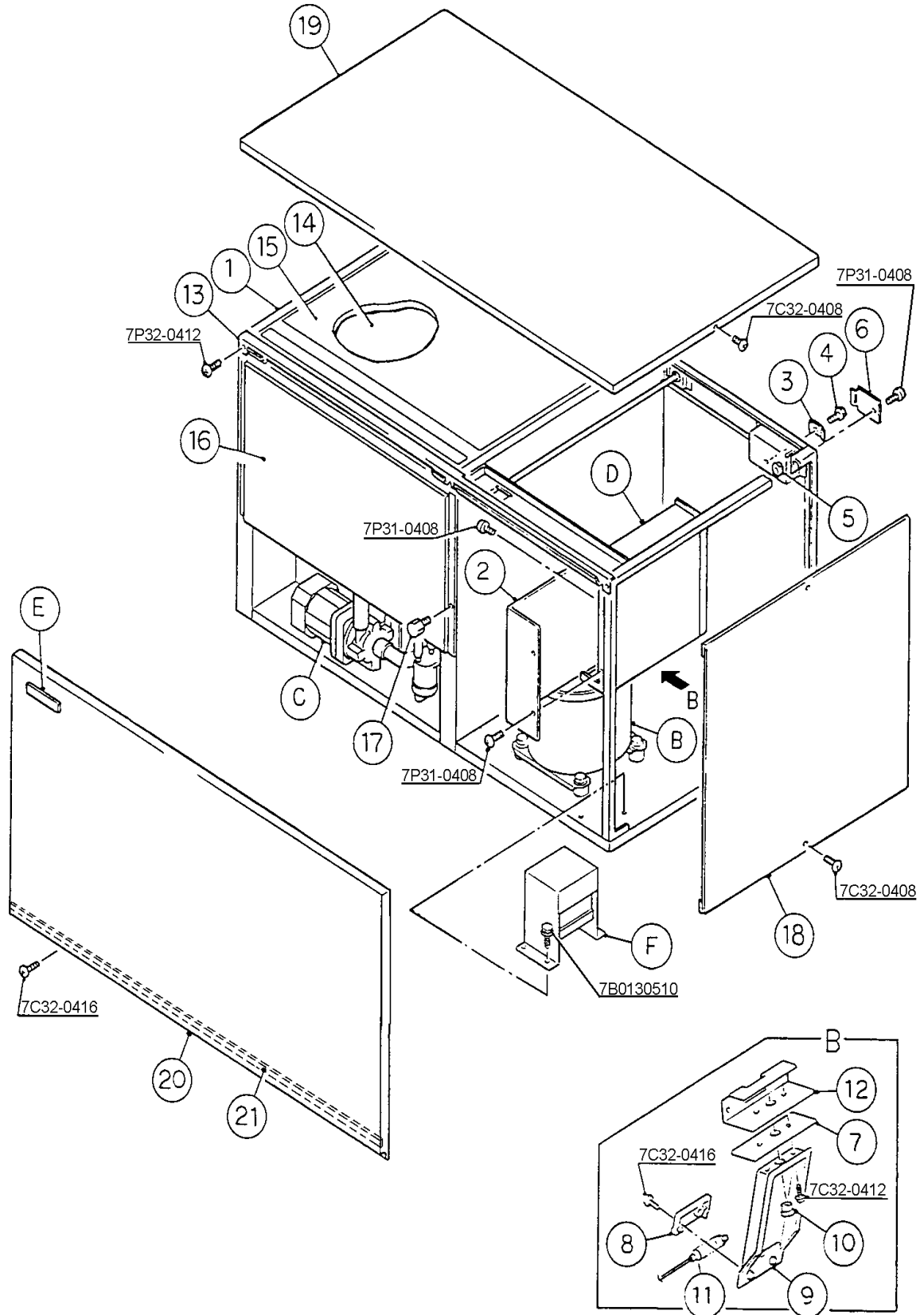
Ex.3





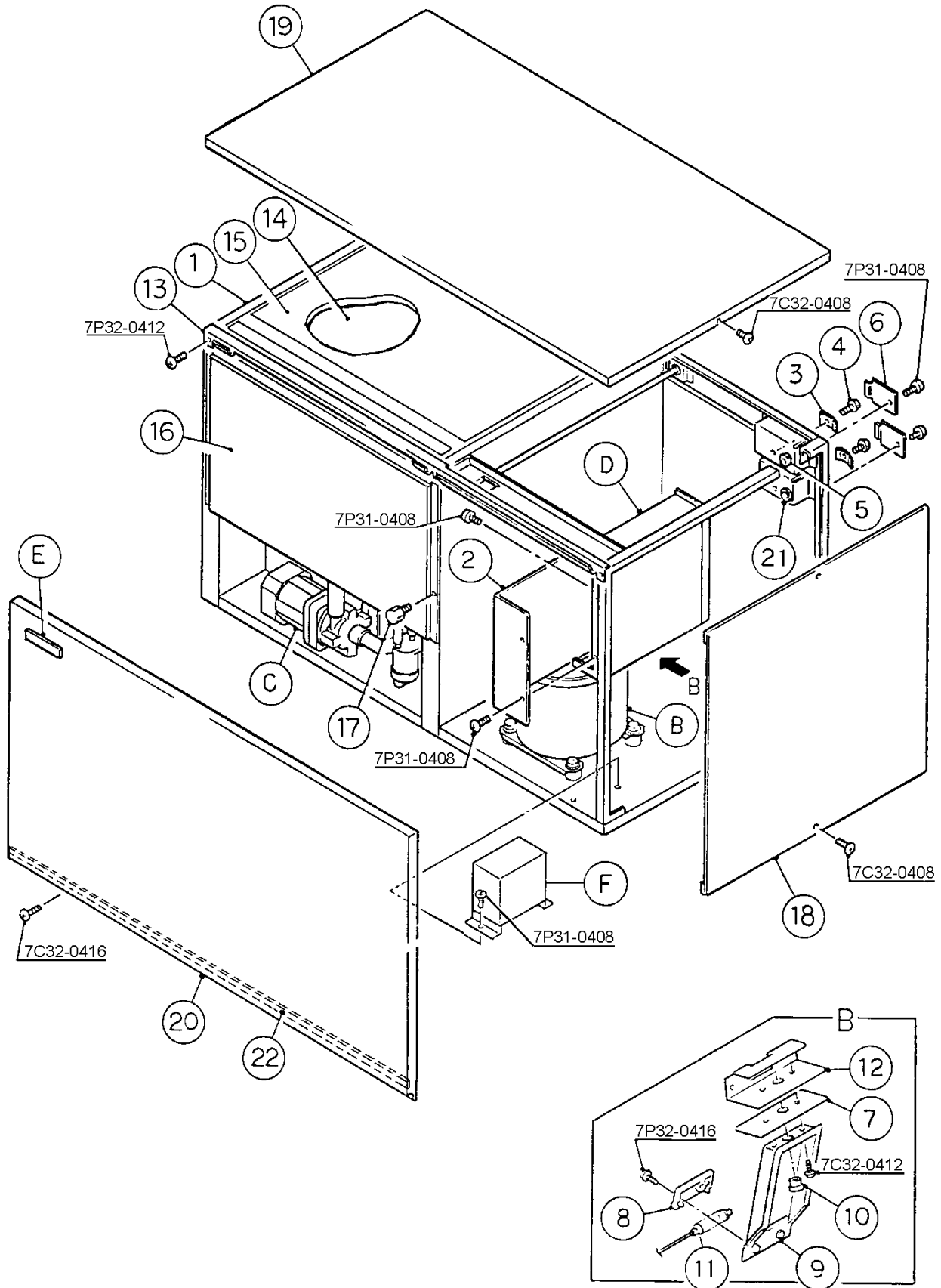
MODEL: KM-1600SWF TITLE: A. ICE CUBER ASSEMBLY								
INDEX NO.	DESCRIPTION	MATERIAL OR MODEL NUMBER	PART NUMBER	REQUIRED NUMBER				
				H-1	H-2	J-0	K-0	L-0
B	REFRIGERATION CIRCUIT	-	1A0294A01	1	1	1	1	1
C	WATER CIRCUIT	-	105109A04	1	1	1	1	1
D	CONTROL BOX ASSEMBLY	-	2A1122A03	1	1	1	1	1
	T2 SCREW	4X8	7P31-0408	3	3	3	3	3
E	LABEL LOCATION	-	2A1275A02	1	1	1	1	1
F	CAPACITOR BOX ASSEMBLY	-	3A1003A01	1	1	1	1	1
	T2 SCREW	4X8	7P31-0408	2	2	2	2	2
1	EVAPORATOR CASE	-	105860G38	1	1	1	1	1
2	CONTROL BOX COVER	GS	3A0174-01	1	1	1	1	1
	T2 SCREW	4X8	7P31-0408	3	3	3	3	3
3	SQUARE WASHER	BRASS	433537-02	1	1	1	1	1
4	SCREW - GROUNDING	BRASS	433304-02	1	1	1	1	1
5	BUSHING	SR-34-2	420472-05	1	1	1	1	1
6	JUNCTION BOX COVER	GS	433410-01	1	1	1	1	1
	T2 SCREW	4X8	7P31-0408	1	1	1	1	1
7	SPACER	ABS	439727-01	1	1	1	1	1
8	BULB HOLDER	PE	328919-01	1	1	1	1	1
	T2 SCREW	4X16, SS	7P32-0416	2	2	2	2	2
9	BULB HOLDER (C)	ABS	216340G01	1	1	1	1	1
	TRUSS HEAD SCREW	4X12, SS	7C32-0412	2	2	2	2	2
10	CAPILLARY RING	-	425307-01	1	1	1	1	1
11	SPACER	PE	443545-01	1	1	1	1	1
12	BULB HOLDER (D)	GS	328742-01	1	1	1	1	1
13	FRONT PANEL - BRACKET	SS	323903-01	1	1	1	1	1
	T2 SCREW	4X12, SS	7P32-0412	3	3	3	3	3
14	SPACER	ABS	324321-01	1	1	1	1	1
15	TOP INSULATION	ABS, PE	324216G01	1	1	1	1	1
16	FRONT INSULATION	ABS, PE	324215G01	1	1	1	1	1
17	THUMBSCREW	ABS, SS	415949G01	1	1	1	1	1

MODEL: KM-1600SWF TITLE: A. ICE CUBER ASSEMBLY								
INDEX NO.	DESCRIPTION	MATERIAL OR MODEL NUMBER	PART NUMBER	REQUIRED NUMBER				
				H-1	H-2	J-0	K-0	L-0
18	SIDE PANEL (R)	SS	213668G01	1	1	1	1	1
19	TOP PANEL (A)	SS	213669-02	1	1	1	1	1
	TRUSS HEAD SCREW	4X8, SS	7C32-0408	3	3	3	3	3
20	FRONT PANEL	SS	325508G01	1	1	1	1	1
	TRUSS HEAD SCREW	4X16, SS	7C32-0416	2	2	2	2	2
21	GASKET	L=1219	4A0808L02					1



MODEL: KM-1600SWF3 TITLE: A. ICE CUBER ASSEMBLY								
INDEX NO.	DESCRIPTION	MATERIAL OR MODEL NUMBER	PART NUMBER	REQUIRED NUMBER				
				H-1	J-1	K-0	L-0	
B	REFRIGERATION CIRCUIT	-	1A0294A02	1	1	1	1	
C	WATER CIRCUIT	-	105109A04	1	1	1	1	
D	CONTROL BOX ASSEMBLY	-	2A1122A03	1	1	1	1	
	T2 SCREW	4X8	7P31-0408	3	3	3	3	
E	LABEL LOCATION	-	2A1275A02	1	1	1	1	
F	TRANSFORMER BOX ASSEMBLY	-	3A1102A01	1	1	1	1	
	HEX HEAD BOLT W/ WASHER (LF)	5X10	7B0130510	4	4	4	4	
1	EVAPORATOR CASE	-	105860G38	1	1	1	1	
2	CONTROL BOX COVER	GS	3A0174-01	1	1	1	1	
	T2 SCREW	4X8	7P31-0408	3	3	3	3	
3	SQUARE WASHER	BRASS	433537-02	1	1	1	1	
4	SCREW - GROUNDING	BRASS	433304-02	1	1	1	1	
5	BUSHING	SR-34-2	420472-05	1	1	1	1	
6	JUNCTION BOX COVER	GS	433410-01	1	1	1	1	
	T2 SCREW	4X8	7P31-0408	1	1	1	1	
7	SPACER	ABS	439727-01	1	1	1	1	
8	BULB HOLDER	PE	328919-01	1	1	1	1	
	T2 SCREW	4X16, SS	7P32-0416	2	2	2	2	
9	BULB HOLDER (C)	ABS	216340G01	1	1	1	1	
	TRUSS HEAD SCREW	4X12, SS	7C32-0412	2	2	2	2	
10	CAPILLARY RING	-	425307-01	1	1	1	1	
11	SPACER	PE	443545-01	1	1	1	1	
12	BULB HOLDER (D)	GS	328742-01	1	1	1	1	
13	FRONT PANEL - BRACKET	SS	323903-01	1	1	1	1	
	T2 SCREW	4X12, SS	7P32-0412	3	3	3	3	
14	SPACER	ABS	324321-01	1	1	1	1	
15	TOP INSULATION	ABS, PE	324216G01	1	1	1	1	
16	FRONT INSULATION	ABS, PE	324215G01	1	1	1	1	
17	THUMBSCREW	ABS, SS	415949G01	1	1	1	1	

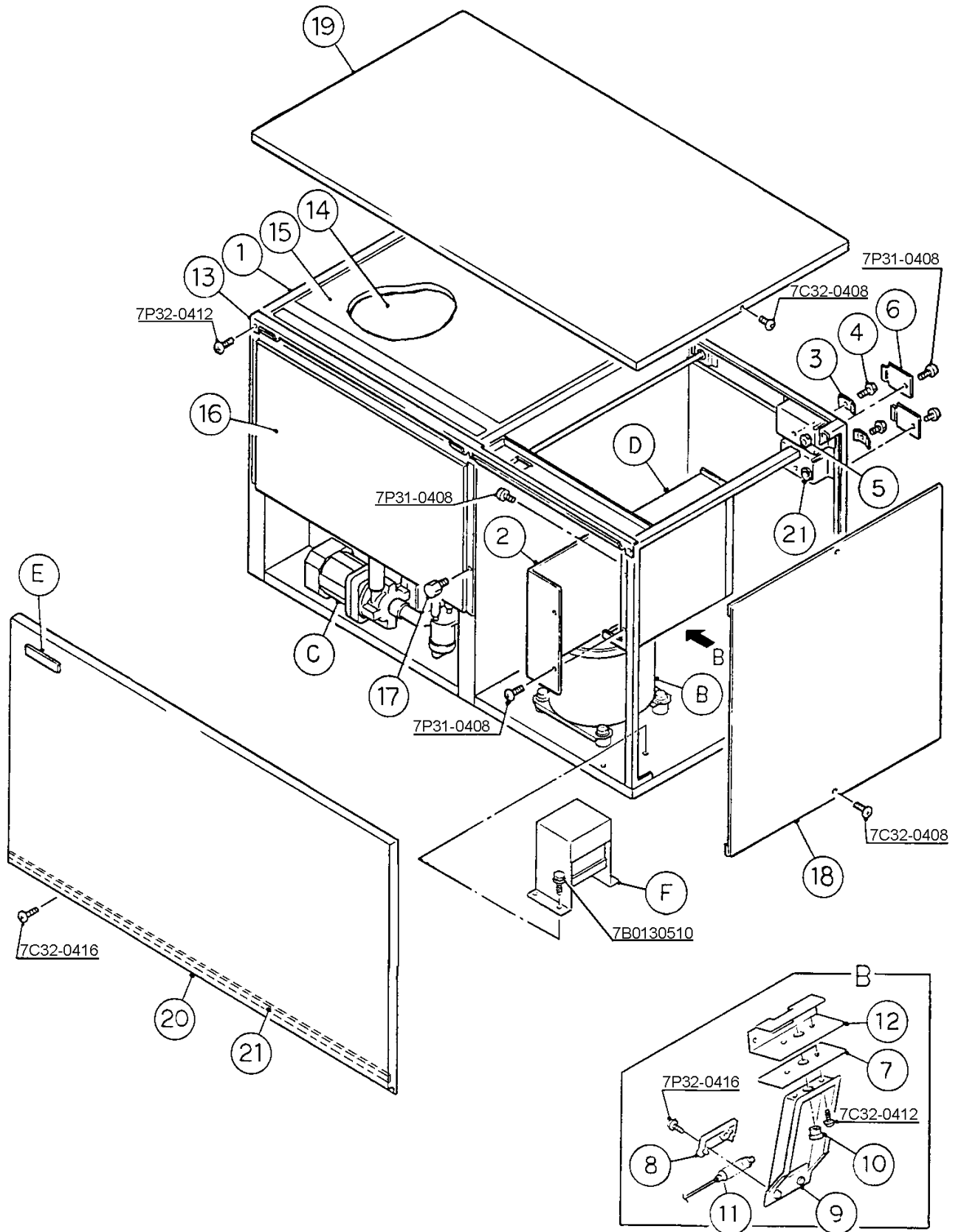
MODEL: KM-1600SWF3 TITLE: A. ICE CUBER ASSEMBLY								
INDEX NO.	DESCRIPTION	MATERIAL OR MODEL NUMBER	PART NUMBER	REQUIRED NUMBER				
				H-1	J-1	K-0	L-0	
18	SIDE PANEL (R)	SS	213668G01	1	1	1	1	
19	TOP PANEL (A)	SS	213669-02	1	1	1	1	
	TRUSS HEAD SCREW	4X8, SS	7C32-0408	3	3	3	3	
20	FRONT PANEL	SS	325508G01	1	1	1	1	
	TRUSS HEAD SCREW	4X16, SS	7C32-0416	2	2	2	2	
21	GASKET	L=1219	4A0808L02				1	



MODEL: KM-1600SRF TITLE: A. ICE CUBER ASSEMBLY								
INDEX NO.	DESCRIPTION	MATERIAL OR MODEL NUMBER	PART NUMBER	REQUIRED NUMBER				
				H-0	H-1	H-2	J-1	K-0 L-0
B	REFRIGERATION CIRCUIT	-	1A0274A01	1	1	1	1	1
C	WATER CIRCUIT	-	105109A04	1	1	1	1	1
D	CONTROL BOX ASSEMBLY	-	2A1122A03	1	1	1	1	1
	T2 SCREW	4X8	7P31-0408	3	3	3	3	3
E	LABEL LOCATION	-	2A1214A01	1	1	1	1	1
F	CAPACITOR BOX ASSEMBLY	-	3A1003A01	1	1	1	1	1
	T2 SCREW	4X8	7P31-0408	2	2	2	2	2
1	EVAPORATOR CASE	-	105860G36	1	1	1	1	1
2	CONTROL BOX COVER	GS	3A0174-01	1	1	1	1	1
	T2 SCREW	4X8	7P31-0408	3	3	3	3	3
3	SQUARE WASHER	BRASS	433537-02	2	2	2	2	2
4	SCREW - GROUNDING	BRASS	433304-02	2	2	2	2	2
5	BUSHING	SR-34-2	420472-05	1	1	1	1	1
6	JUNCTION BOX COVER	GS	433410-01	2	2	2	2	2
	T2 SCREW	4X8	7P31-0408	2	2	2	2	2
7	SPACER	ABS	439727-01	1	1	1	1	1
8	BULB HOLDER	PE	328919-01	1	1	1	1	1
	T2 SCREW	4X16, SS	7P32-0416	2	2	2	2	2
9	BULB HOLDER (C)	ABS	216340G01	1	1	1	1	1
	TRUSS HEAD SCREW	4X12, SS	7C32-0412	2	2	2	2	2
10	CAPILLARY RING	-	425307-01	1	1	1	1	1
11	SPACER	PE	443545-01	1	1	1	1	1
12	BULB HOLDER (D)	GS	328742-01	1	1	1	1	1
13	FRONT PANEL - BRACKET	SS	323903-01	1	1	1	1	1
	T2 SCREW	4X12, SS	7P32-0412	3	3	3	3	3
14	SPACER	ABS	324321-01	1	1	1	1	1
15	TOP INSULATION	ABS, PE	324216G01	1	1	1	1	1
16	FRONT INSULATION	ABS, PE	324215G01	1	1	1	1	1
17	THUMBSCREW	ABS, SS	415949G01	1	1	1	1	1

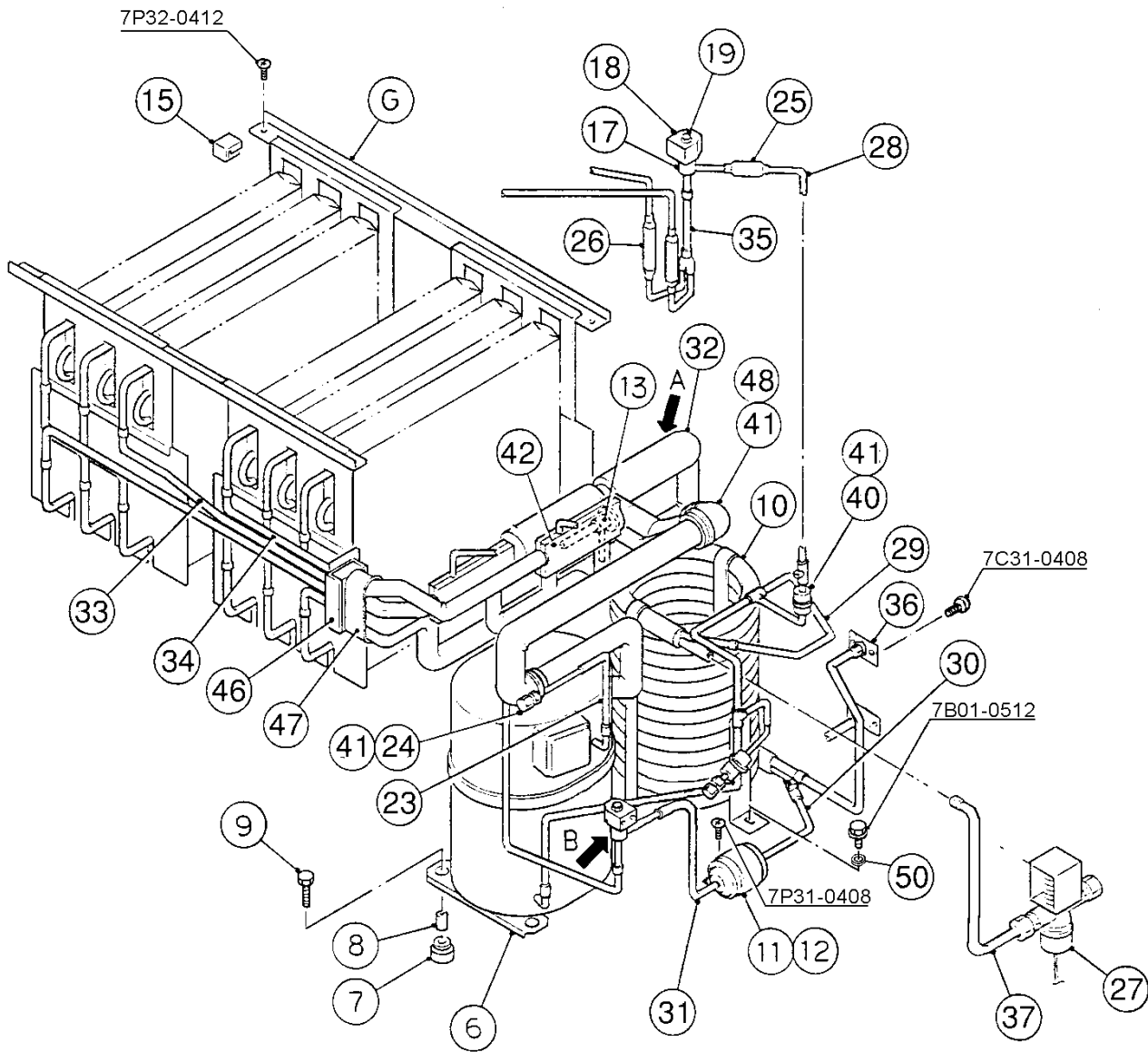
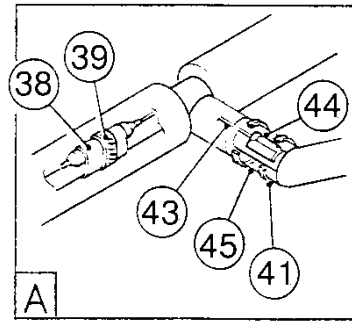
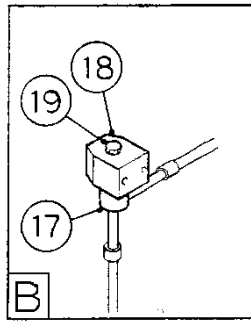
HA

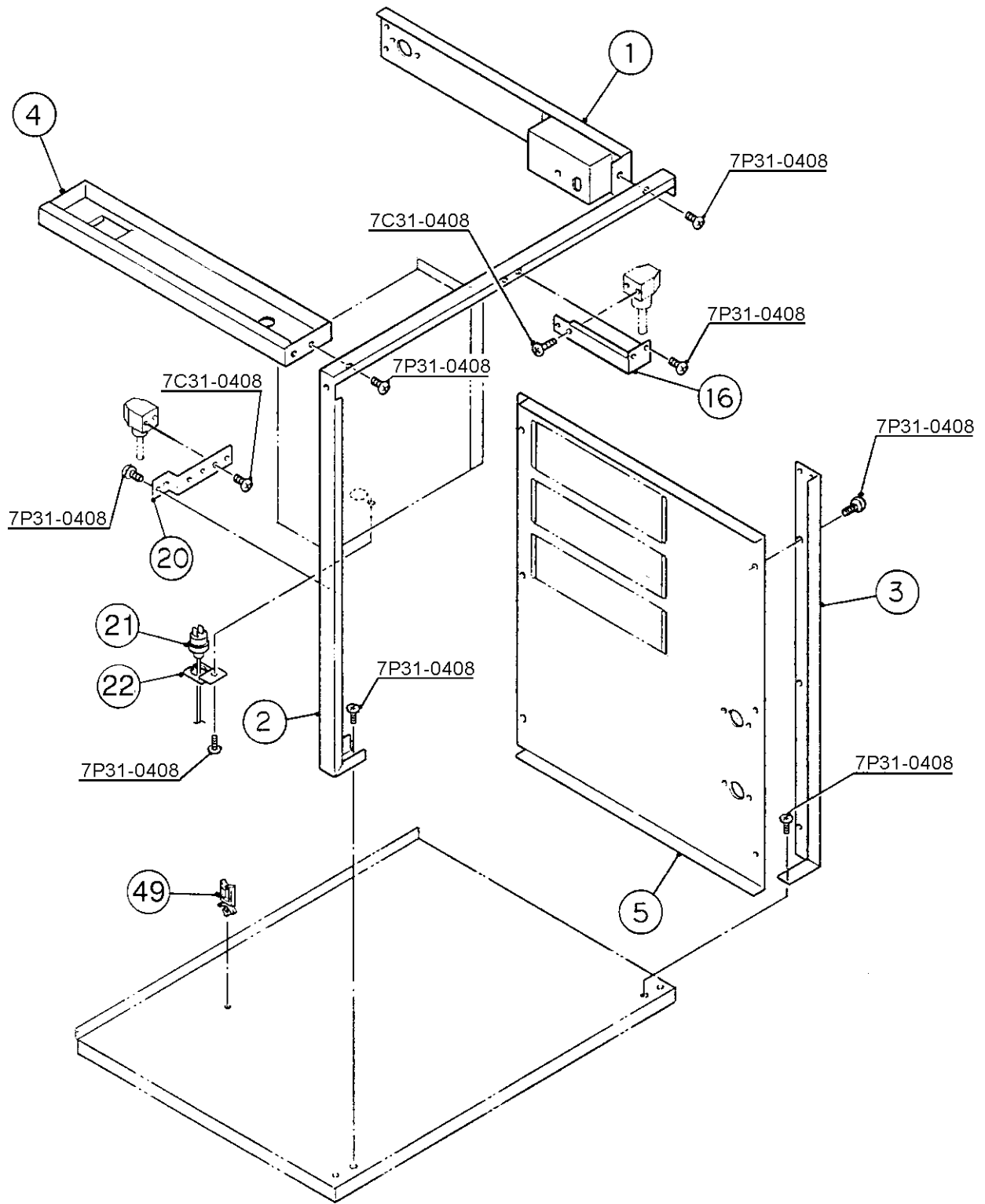
MODEL: KM-1600SRF TITLE: A. ICE CUBER ASSEMBLY								
INDEX NO.	DESCRIPTION	MATERIAL OR MODEL NUMBER	PART NUMBER	REQUIRED NUMBER				
				H-0	H-1	H-2	J-1	K-0 L-0
18	SIDE PANEL (R)	SS	213668G01	1	1	1	1	1
19	TOP PANEL (A)	SS	213669-02	1	1	1	1	1
	TRUSS HEAD SCREW	4X8, SS	7C32-0408	3	3	3	3	3
20	FRONT PANEL	SS	325508G01	1	1	1	1	1
	TRUSS HEAD SCREW	4X16, SS	7C32-0416	2	2	2	2	2
21	BUSHING	SR-34-2	420472-03	1	1	1	1	1
22	GASKET	L=1219	4A0808L02					1



MODEL: KM-1600SRF3 TITLE: A. ICE CUBER ASSEMBLY								
INDEX NO.	DESCRIPTION	MATERIAL OR MODEL NUMBER	PART NUMBER	REQUIRED NUMBER				
				H-0	H-1	H-2	J-0	K-0 L-0
B	REFRIGERATION CIRCUIT	-	1A0274A02	1	1	1	1	1
C	WATER CIRCUIT	-	105109A04	1	1	1	1	1
D	CONTROL BOX ASSEMBLY	-	2A1122A03	1	1	1	1	1
	T2 SCREW	4X8	7P31-0408	3	3	3	3	3
E	LABEL LOCATION	-	2A1214A02	1	1	1	1	1
F	TRANSFORMER BOX ASSEMBLY	-	3A1102A01	1	1	1	1	1
	HEX HEAD BOLT W/ WASHER (LF)	5X10	7B0130510	4	4	4	4	4
1	EVAPORATOR CASE	-	105860G36	1	1	1	1	1
2	CONTROL BOX COVER	GS	3A0174-01	1	1	1	1	1
	T2 SCREW	4X8	7P31-0408	3	3	3	3	3
3	SQUARE WASHER	BRASS	433537-02	2	2	2	2	2
4	SCREW - GROUNDING	BRASS	433304-02	2	2	2	2	2
5	BUSHING	SR-34-2	420472-05	1	1	1	1	1
6	JUNCTION BOX COVER	GS	433410-01	2	2	2	2	2
	T2 SCREW	4X8	7P31-0408	2	2	2	2	2
7	SPACER	ABS	439727-01	1	1	1	1	1
8	BULB HOLDER	PE	328919-01	1	1	1	1	1
	T2 SCREW	4X16, SS	7P32-0416	2	2	2	2	2
9	BULB HOLDER (C)	ABS	216340G01	1	1	1	1	1
	TRUSS HEAD SCREW	4X12, SS	7C32-0412	2	2	2	2	2
10	CAPILLARY RING	-	425307-01	1	1	1	1	1
11	SPACER	PE	443545-01	1	1	1	1	1
12	BULB HOLDER (D)	GS	328742-01	1	1	1	1	1
13	FRONT PANEL - BRACKET	SS	323903-01	1	1	1	1	1
	T2 SCREW	4X12, SS	7P32-0412	3	3	3	3	3
14	SPACER	ABS	324321-01	1	1	1	1	1
15	TOP INSULATION	ABS, PE	324216G01	1	1	1	1	1
16	FRONT INSULATION	ABS, PE	324215G01	1	1	1	1	1

MODEL: KM-1600SRF3 TITLE: A. ICE CUBER ASSEMBLY								
INDEX NO.	DESCRIPTION	MATERIAL OR MODEL NUMBER	PART NUMBER	REQUIRED NUMBER				
				H-0	H-1	H-2	J-0	K-0 L-0
17	THUMBSCREW	ABS, SS	415949G01	1	1	1	1	1
18	SIDE PANEL (R)	SS	213668G01	1	1	1	1	1
19	TOP PANEL (A)	SS	213669-02	1	1	1	1	1
	TRUSS HEAD SCREW	4X8, SS	7C32-0408	3	3	3	3	3
20	FRONT PANEL	SS	325508G01	1	1	1	1	1
	TRUSS HEAD SCREW	4X16, SS	7C32-0416	2	2	2	2	2
21	BUSHING	SR-34-2	420472-03	1	1	1	1	1
22	GASKET	L=1219	4A0808L02					1



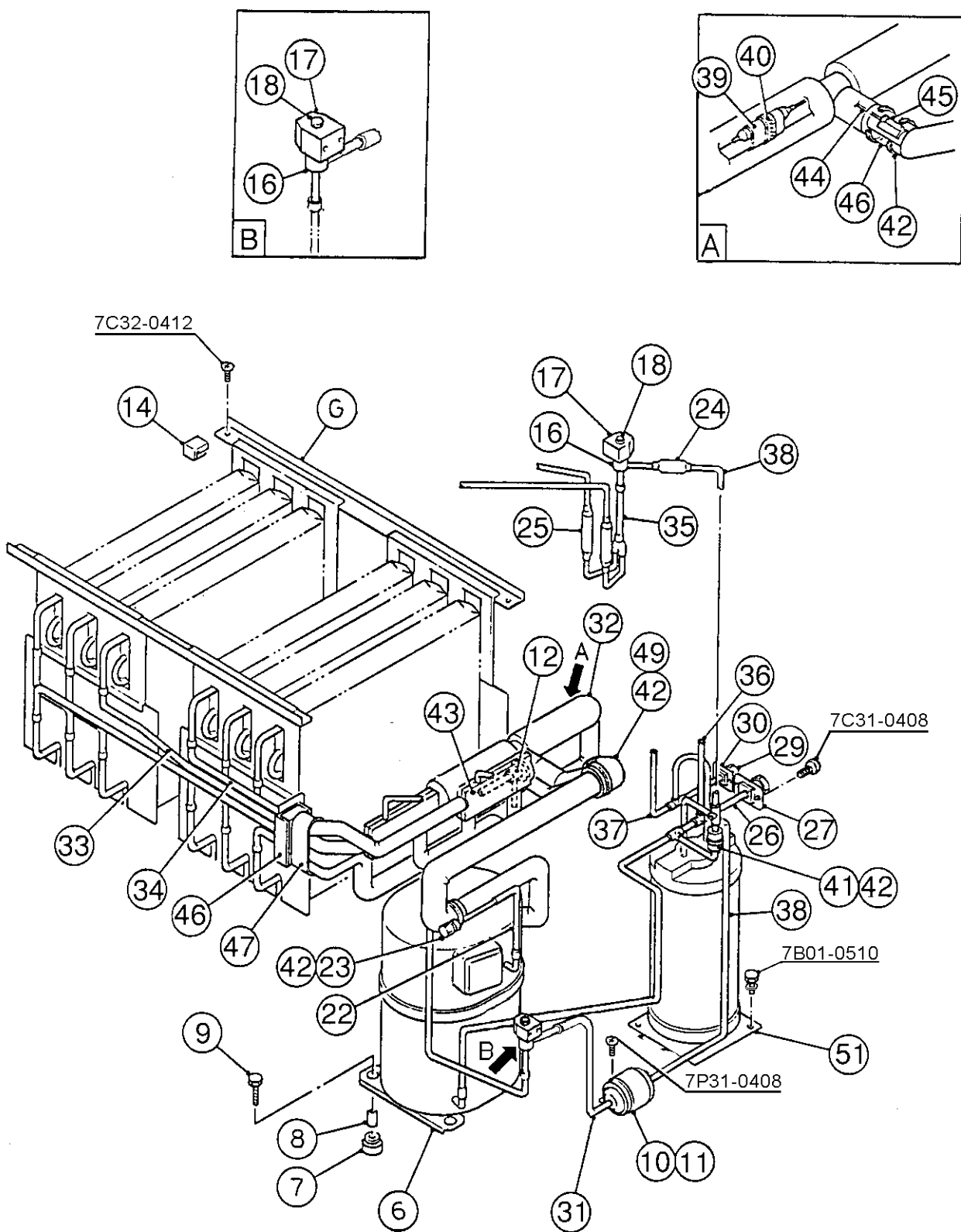


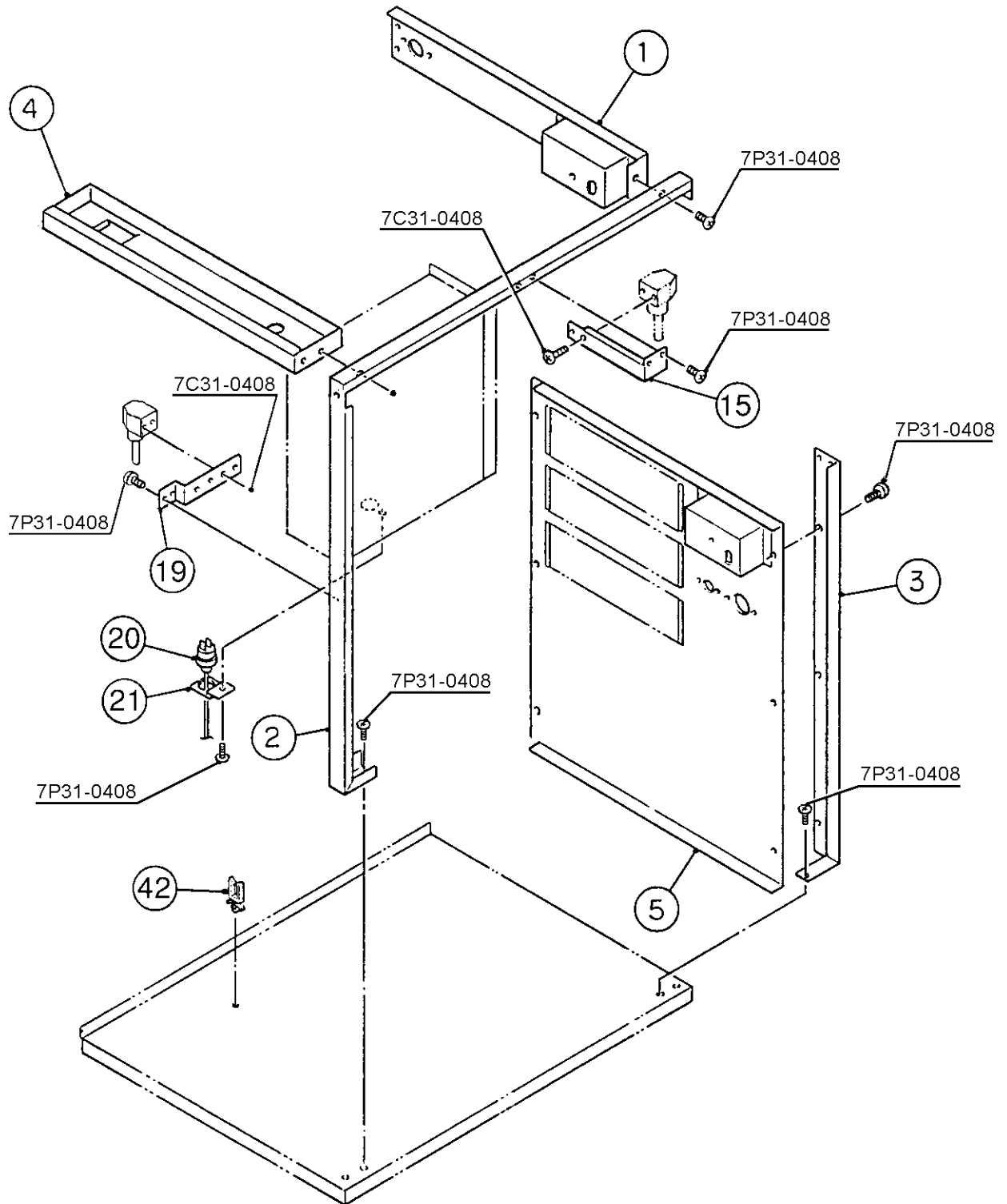
MODEL: KM-1600SWF TITLE: B. REFRIGERATION CIRCUIT								
INDEX NO.	DESCRIPTION	MATERIAL OR MODEL NUMBER	PART NUMBER	REQUIRED NUMBER				
				H-1	H-2	J-0	K-0	L-0
G	EVAPORATOR	-	104696A01	1	1	1	1	1
1	REAR FRAME	G.S	439285G04	1	1	1	1	1
2	SIDE FRAME (A)	G.S	219472G01	1	1	1	1	1
3	SIDE FRAME (B)	G.S	323901G01	1	1	1	1	1
4	FRONT FRAME	G.S	325857-01	1	1	1	1	1
5	REAR PANEL (A)	G.S	2A1254-01	1	1	1	1	1
6	COMPRESSOR	CS20K6E-PFV-237	4A1420-01	1	1	1	1	1
7	GROMMET	027-0167-00	434922-01	4	4	4	4	4
8	SPACER	028-0188-02	434921-01	4	4	4	4	4
9	BOLT	8 x 45	437889-01	4	4	4	4	4
10	CONDENSER - WATER-COOLED	-	219382-01	1	1	1	1	1
11	DRIER	CW-053-S	4A1461-01	1	1	1	1	1
12	DRIER BRACKET	G.S	445251-01	1	1	1	1	1
13	EXPANSION VALVE	HFE-15NHD-2	4A1482-01	2	2	2	2	2
14	TERMINAL GASKET	RUBBER FOAM	4A1420F04	1	1	1	1	1
15	FRAME SEAL	EPDM	323925-01	4	4	4	4	4
16	HOT GAS VALVE BRACKET	G.S	440507-01	1	1	1	1	1
17	VALVE BODY	70	440352-01	2	2	2	2	2
18	COIL - VALVE	ABS-25-1-HD-2	440353-01	2	2	2	2	2
19	BOLT	4 x 6	440353F01	2	2	2	2	2
20	LINE VALVE BRACKET	G.S	4A1406-01	1	1	1	1	1
21	PRESSURE SWITCH	ACB-2UB04	433441-05	1	1	1	1	1
22	PRESSURE SWITCH BRACKET	G.S	434938-01	1	1	1	1	1
23	COPPER TUBE - ACCESS VALVE	COPPER	4A1497G01	1	1	1	1	1
24	ACCESS VALVE	-	457729-01	2	2	2	2	2
25	STRAINER	-	441569-02	1	1	1	1	1
26	CHECK VALVE	-	4A1373-01	2	2	2	2	2

MODEL: KM-1600SWF TITLE: B. REFRIGERATION CIRCUIT								
INDEX NO.	DESCRIPTION	MATERIAL OR MODEL NUMBER	PART NUMBER	REQUIRED NUMBER				
				H-1	H-2	J-0	K-0	L-0
27	WATER REGULATOR	-	4A1417-01	1	1	1	1	1
28	COPPER TUBE (A) - HIGH SIDE	COPPER	2A1229G01	1	1	1	1	1
29	COPPER TUBE (B) - HIGH SIDE	COPPER	3A1085-01	1	1	1	1	1
30	COPPER TUBE (C) - HIGH SIDE	COPPER	4A1469G01	1	1	1	1	1
31	COPPER TUBE (F) - HIGH SIDE	COPPER	3A1050-01	1	1	1	1	1
32	HEAT EXCHANGER	COPPER	1A0291G01	1	1	1	1	1
33	COPPER TUBE (R) - HIGH SIDE	COPPER	2A1243G01	1	1	1	1	1
34	COPPER TUBE (L) - LOW SIDE	COPPER	2A1242G01	1	1	1	1	1
35	COPPER TUBE - HOT GAS	COPPER	3A0212G01	1	1	1	1	1
36	COPPER TUBE (A)	COPPER	3A0997G01	1	1	1	1	1
37	COPPER TUBE (B)	COPPER	4A1470G01	1	1	1	1	1
38	HOLDER / EXPANSION VALVE - 3/8	S.S	3A0107-01	2	2	2	2	2
39	CLAMP	S.S	443461-01	2	2	2	2	2
40	INSULATION TUBE	L=40	7762-1020	3	3	3	3	3
41	CABLE TIE	CV-200	7920-0010	14	14	14	14	14
42	EXPANSION VALVE COVER	PE FOAM	3A0944-01	2	2	2	2	2
43	THERMISTOR	-	429006-03	1	1	1	1	1
44	HOLDER - THERMISTOR	COPPER	438247-01	1	1	1	1	1
45	INSULATION - THERMISTOR	PE FOAM	427441-01	1	1	1	1	1
46	INSULATED RUBBER TUBE	EPDM	323975G01	1	1	1	1	1
47	INSULATION	PE FOAM	436671-01	1	1	1	1	1
48	INSULATION TUBE	L=575	7762-1630	1	1	1	1	1
49	WIRE SADDLE	VWS4238-C	4A0338-02	3	3	3	3	3
50	WASHER	S.S	4A0655-03	3	3	3	3	3

MODEL: KM-1600SWF3 TITLE: B. REFRIGERATION CIRCUIT								
INDEX NO.	DESCRIPTION	MATERIAL OR MODEL NUMBER	PART NUMBER	REQUIRED NUMBER				
				H-1	J-1	K-0	L-0	
G	EVAPORATOR	-	104696A01	1	1	1	1	
1	REAR FRAME	G.S	439285G04	1	1	1	1	
2	SIDE FRAME (A)	G.S	219472G01	1	1	1	1	
3	SIDE FRAME (B)	G.S	323901G01	1	1	1	1	
4	FRONT FRAME	G.S	325857-01	1	1	1	1	
5	REAR PANEL (A)	G.S	2A1254-01	1	1	1	1	
6	COMPRESSOR	CS20K6E-TF5-237	4A1419-01	1	1	1	1	
7	GROMMET	027-0167-00	434922-01	4	4	4	4	
8	SPACER	028-0188-02	434921-01	4	4	4	4	
9	BOLT	8 x 45	437889-01	4	4	4	4	
10	CONDENSER - WATER-COOLED	-	219382-01	1	1	1	1	
11	DRIER	CW-053-S	4A1461-01	1	1	1	1	
12	DRIER BRACKET	G.S	445251-01	1	1	1	1	
13	EXPANSION VALVE	HFE-15NHD-2	4A1482-01	2	2	2	2	
14	TERMINAL GASKET	RUBBER FOAM	4A1419F04	1	1	1	1	
15	FRAME SEAL	EPDM	323925-01	4	4	4	4	
16	HOT GAS VALVE BRACKET	G.S	440507-01	1	1	1	1	
17	VALVE BODY	70	440352-01	2	2	2	2	
18	COIL - VALVE	ABS-25-1-HD-2	440353-01	2	2	2	2	
19	BOLT	4 x 6	440353F01	2	2	2	2	
20	LINE VALVE BRACKET	G.S	4A1406-01	1	1	1	1	
21	PRESSURE SWITCH	ACB-2UB04	433441-05	1	1	1	1	
22	PRESSURE SWITCH BRACKET	G.S	434938-01	1	1	1	1	
23	COPPER TUBE - ACCESS VALVE	COPPER	4A1497G01	1	1	1	1	
24	ACCESS VALVE	-	457729-01	2	2	2	2	
25	STRAINER	-	441569-02	1	1	1	1	
26	CHECK VALVE	-	4A1373-01	2	2	2	2	

MODEL: KM-1600SWF3 TITLE: B. REFRIGERATION CIRCUIT								
INDEX NO.	DESCRIPTION	MATERIAL OR MODEL NUMBER	PART NUMBER	REQUIRED NUMBER				
				H-1	J-1	K-0	L-0	
27	WATER REGULATOR	-	4A1417-01	1	1	1	1	
28	COPPER TUBE (A) - HIGH SIDE	COPPER	2A1229G01	1	1	1	1	
29	COPPER TUBE (B) - HIGH SIDE	COPPER	3A1085-01	1	1	1	1	
30	COPPER TUBE (C) - HIGH SIDE	COPPER	4A1469G01	1	1	1	1	
31	COPPER TUBE (F) - HIGH SIDE	COPPER	3A1050-01	1	1	1	1	
32	HEAT EXCHANGER	COPPER	1A0291G01	1	1	1	1	
33	COPPER TUBE (R) - HIGH SIDE	COPPER	2A1243G01	1	1	1	1	
34	COPPER TUBE (L) - LOW SIDE	COPPER	2A1242G01	1	1	1	1	
35	COPPER TUBE - HOT GAS	COPPER	3A0212G01	1	1	1	1	
36	COPPER TUBE (A)	COPPER	3A0997G01	1	1	1	1	
37	COPPER TUBE (B)	COPPER	4A1470G01	1	1	1	1	
38	HOLDER / EXPANSION VALVE - 3/8	S.S	3A0107-01	2	2	2	2	
39	CLAMP	S.S	443461-01	2	2	2	2	
40	INSULATION TUBE	L=40	7762-1020	3	3	3	3	
41	CABLE TIE	CV-200	7920-0010	14	14	14	14	
42	EXPANSION VALVE COVER	PE FOAM	3A0944-01	2	2	2	2	
43	THERMISTOR	-	429006-03	1	1	1	1	
44	HOLDER - THERMISTOR	COPPER	438247-01	1	1	1	1	
45	INSULATION - THERMISTOR	PE FOAM	427441-01	1	1	1	1	
46	INSULATED RUBBER TUBE	EPDM	323975G01	1	1	1	1	
47	INSULATION	PE FOAM	436671-01	1	1	1	1	
48	INSULATION TUBE	L=575	7762-1630	1	1	1	1	
49	WIRE SADDLE	VWS4238-C	4A0338-02	3	3	3	3	
50	WASHER	S.S	4A0655-03	3	3	3	3	



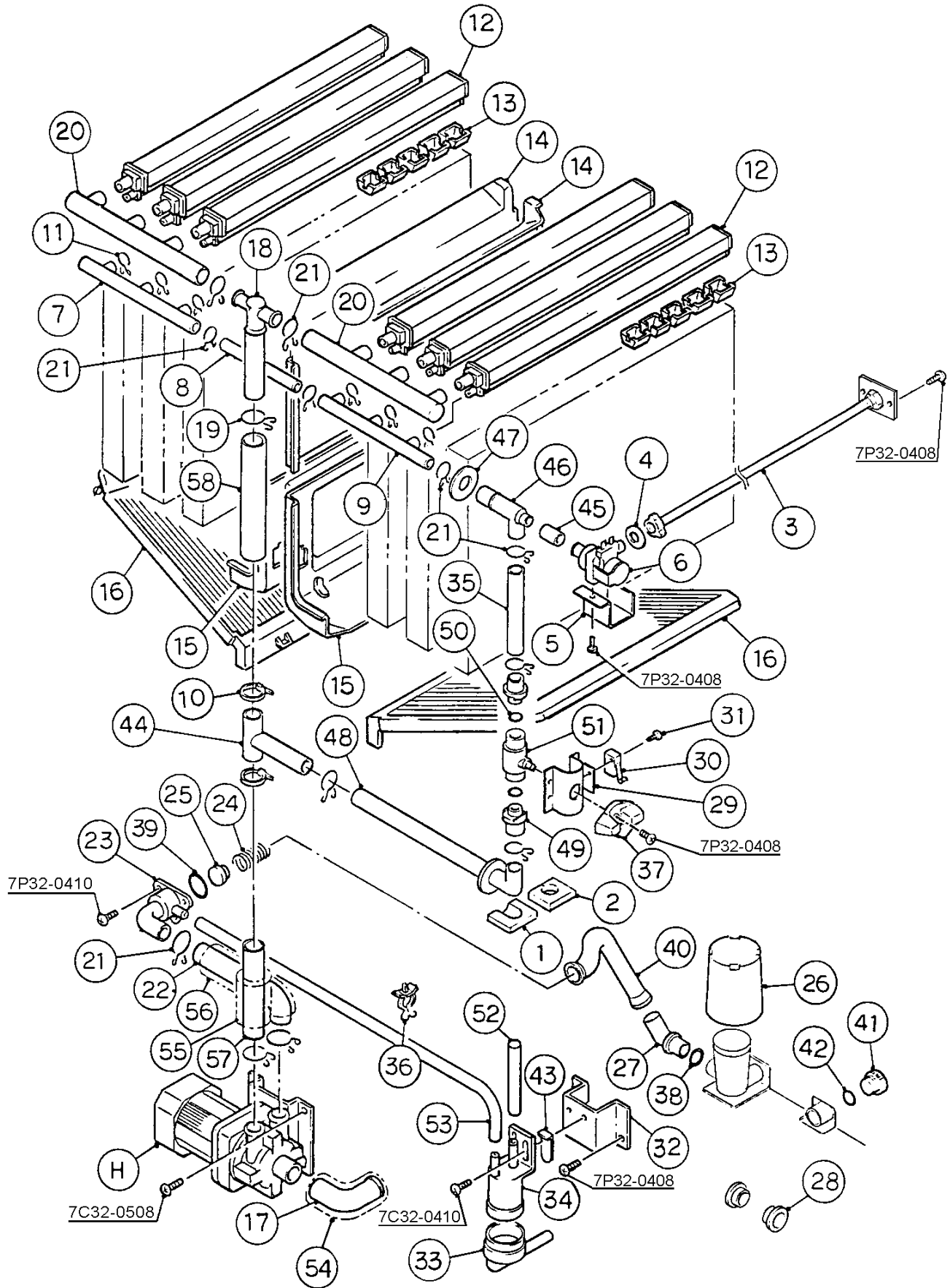


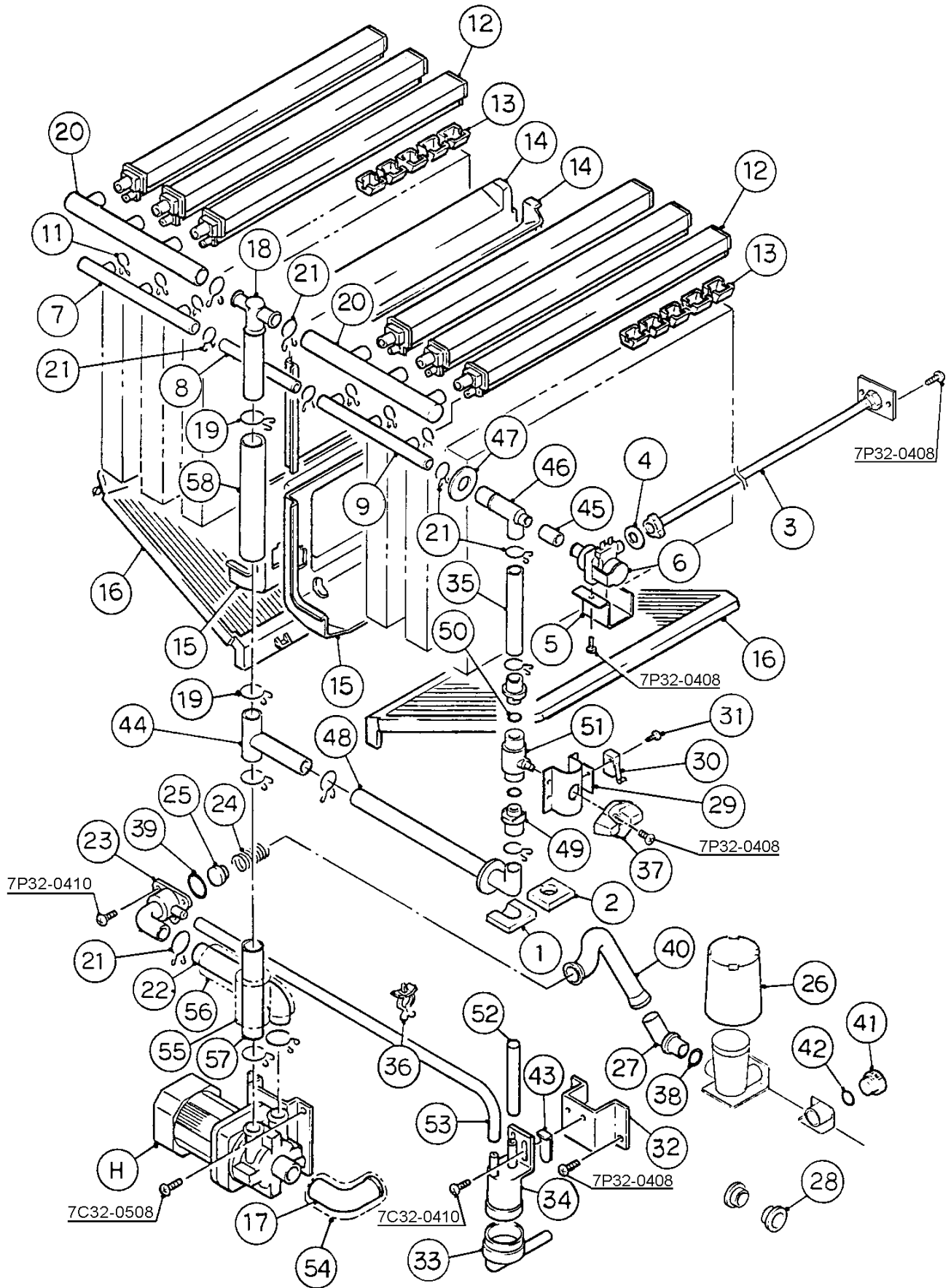
MODEL: KM-1600SRF TITLE: B. REFRIGERATION CIRCUIT								
INDEX NO.	DESCRIPTION	MATERIAL OR MODEL NUMBER	PART NUMBER	REQUIRED NUMBER				
				H-0	H-1	H-2	J-1	K-0 L-0
G	EVAPORATOR	-	104696A01	1	1	1	1	1
1	REAR FRAME	G.S	439285G04	1	1	1	1	1
2	SIDE FRAME (A)	G.S	219472G01	1	1	1	1	1
3	SIDE FRAME (B)	G.S	323901G01	1	1	1	1	1
4	FRONT FRAME	G.S	325857-01	1	1	1	1	1
5	REAR PANEL (A)	G.S	215100G01	1	1	1	1	1
6	COMPRESSOR	CS20K6E-PFV-279	4A1420-02	1	1	1	1	1
7	GROMMET	027-0167-00	434922-01	4	4	4	4	4
8	SPACER	028-0188-02	434921-01	4	4	4	4	4
9	BOLT	8 x 45	437889-01	4	4	4	4	4
10	DRIER	CW-053-S	4A1461-01	1	1	1	1	1
11	DRIER BRACKET	G.S	445251-01	1	1	1	1	1
12	EXPANSION VALVE	HFE-15NHD-2	4A1482-01	2	2	2	2	2
13	TERMINAL GASKET	RUBBER FOAM	4A1420F04	1	1	1	1	1
14	FRAME SEAL	EPDM	323925-01	4	4	4	4	4
15	HOT GAS VALVE BRACKET	G.S	440507-01	1	1	1	1	1
16	VALVE BODY	70	440352-01	2	2	2	2	2
17	COIL - VALVE	ABS-25-1-HD-2	440353-01	2	2	2	2	2
18	BOLT	4 x 6	440353F01	2	2	2	2	2
19	LINE VALVE BRACKET	G.S	4A1406-01	1	1	1	1	1
20	PRESSURE SWITCH	ACB-1UB09	433441-07	1	1	1	1	1
21	PRESSURE SWITCH BRACKET	G.S	434938-01	1	1	1	1	1
22	COPPER TUBE - ACCESS VALVE	COPPER	4A1497G01	1	1	1	1	1
23	ACCESS VALVE	-	457729-01	1	1	1	1	1
24	STRAINER	-	441569-02	1	1	1	1	1
25	CHECK VALVE	SKC30564	4A1373-01	2	2	2	2	2
26	COUPLING	COPPER	434136G01	1	1	1	1	1

MODEL: KM-1600SRF TITLE: B. REFRIGERATION CIRCUIT								
INDEX NO.	DESCRIPTION	MATERIAL OR MODEL NUMBER	PART NUMBER	REQUIRED NUMBER				
				H-0	H-1	H-2	J-1	K-0 L-0
27	TUBE HOLDER - L	G.S	438245-01	1	1	1	1	1
28	COPPER TUBE (A) - HIGH SIDE	COPPER	2A1229G01	1	1	1	1	1
29	COUPLING	COPPER	433751G01	1	1	1	1	1
30	TUBE HOLDER - S	G.S	438246-01	1	1	1	1	1
31	COPPER TUBE (F) - HIGH SIDE	COPPER	3A1050-01	1	1	1	1	1
32	HEAT EXCHANGER	COPPER	1A0291G01	1	1	1	1	1
33	COPPER TUBE (R) - HIGH SIDE	COPPER	2A1243G01	1	1	1	1	1
35	COPPER TUBE - HOT GAS	COPPER	3A0212G01	1	1	1	1	1
36	COPPER TUBE (B) - HIGH SIDE	COPPER	445423G01	1	1	1	1	1
37	COPPER TUBE (D) - HIGH SIDE	COPPER	331185G01	1	1	1	1	1
38	COPPER TUBE (E) - HIGH SIDE	COPPER	3A0992-01	1	1	1	1	1
39	HOLDER / EXPANSION VALVE - 3/8	S.S	3A0107-01	2	2	2	2	2
40	CLAMP	S.S	443461-01	2	2	2	2	2
41	INSULATION TUBE	L=40	7762-1020	2	2	2	2	2
42	CABLE TIE	CV-200	7920-0010	8	8	8	8	8
43	EXPANSION VALVE COVER	PE FOAM	3A0944-01	2	2	2	2	2
44	THERMISTOR	-	429006-03	1	1	1	1	1
45	HOLDER - THERMISTOR	COPPER	438247-01	1	1	1	1	1
46	INSULATION - THERMISTOR	PE FOAM	427441-01	1	1	1	1	1
47	INSULATED RUBBER TUBE	EPDM	323975G01	1	1	1	1	1
48	INSULATION	PE FOAM	436671-01	1	1	1	1	1
49	INSULATION TUBE	L=150	7762-3555	1	1	1	1	1
50	WIRE SADDLE	VWS4238-C	4A0338-02	3	3	3	3	3
51	RECEIVER	RR MN WP450	438209-01	1	1	1	1	1

MODEL: KM-1600SRF3 TITLE: B. REFRIGERATION CIRCUIT								
INDEX NO.	DESCRIPTION	MATERIAL OR MODEL NUMBER	PART NUMBER	REQUIRED NUMBER				
				H-0	H-1	H-2	J-0	K-0 L-0
G	EVAPORATOR	-	104696A01	1	1	1	1	1
1	REAR FRAME	G.S	439285G04	1	1	1	1	1
2	SIDE FRAME (A)	G.S	219472G01	1	1	1	1	1
3	SIDE FRAME (B)	G.S	323901G01	1	1	1	1	1
4	FRONT FRAME	G.S	325857-01	1	1	1	1	1
5	REAR PANEL (A)	G.S	215100G01	1	1	1	1	1
6	COMPRESSOR	C520K6E-TF5- 279	4A1419-02	1	1	1	1	1
7	GROMMET	027-0167-00	434922-01	4	4	4	4	4
8	SPACER	028-0188-02	434921-01	4	4	4	4	4
9	BOLT	8 x 45	437889-01	4	4	4	4	4
10	DRIER	CW-053-S	4A1461-01	1	1	1	1	1
11	DRIER BRACKET	G.S	445251-01	1	1	1	1	1
12	EXPANSION VALVE	HFE-15NHD-2	4A1482-01	2	2	2	2	2
13	TERMINAL GASKET	RUBBER FOAM	4A1419F04	1	1	1	1	1
14	FRAME SEAL	EPDM	323925-01	4	4	4	4	4
15	HOT GAS VALVE BRACKET	G.S	440507-01	1	1	1	1	1
16	VALVE BODY	70	440352-01	2	2	2	2	2
17	COIL - VALVE	ABS-25-1-HD-2	440353-01	2	2	2	2	2
18	BOLT	4 x 6	440353F01	2	2	2	2	2
19	LINE VALVE BRACKET	G.S	4A1406-01	1	1	1	1	1
20	PRESSURE SWITCH	ACB-1UB09	433441-07	1	1	1	1	1
21	PRESSURE SWITCH BRACKET	G.S	434938-01	1	1	1	1	1
22	COPPER TUBE - ACCESS VALVE	COPPER	439761-02	1	1	1	1	1
23	ACCESS VALVE	-	457729-01	1	1	1	1	1
24	STRAINER	-	441569-02	1	1	1	1	1
25	CHECK VALVE	SKC30564	4A1373-01	2	2	2	2	2

MODEL: KM-1600SRF3 TITLE: B. REFRIGERATION CIRCUIT								
INDEX NO.	DESCRIPTION	MATERIAL OR MODEL NUMBER	PART NUMBER	REQUIRED NUMBER				
				H-0	H-1	H-2	J-0	K-0 L-0
26	COUPLING	COPPER	434136G01	1	1	1	1	1
27	TUBE HOLDER - L	G.S	438245-01	1	1	1	1	1
28	COPPER TUBE (A) - HIGH SIDE	COPPER	2A1229G01	1	1	1	1	1
29	COUPLING	COPPER	433751G01	1	1	1	1	1
30	TUBE HOLDER - S	G.S	438246-01	1	1	1	1	1
31	COPPER (F) - HIGH SIDE	COPPER	3A1050G01	1	1	1	1	1
32	HEAT EXCHANGER	COPPER	1A0291G01	1	1	1	1	1
33	COPPER TUBE (R) - HIGH SIDE	COPPER	2A1243G01	1	1	1	1	1
34	COPPER TUBE (L) - LOW SIDE	COPPER	2A1242G01	1	1	1	1	1
35	COPPER TUBE - HOT GAS	COPPER	3A0212G01	1	1	1	1	1
36	COPPER TUBE (B) - HIGH SIDE	COPPER	445423G01	1	1	1	1	1
37	COPPER TUBE (D) - HIGH SIDE	COPPER	3A0992-01	1	1	1	1	1
38	COPPER TUBE (E) - HIGH SIDE	COPPER	332463-01	1	1	1	1	1
39	HOLDER / EXPANSION VALVE - 3/8	S.S	3A0107-01	2	2	2	2	2
40	CLAMP	S.S	443461-01	2	2	2	2	2
41	INSULATION TUBE	L=40	7762-1020	2	2	2	2	2
42	CABLE TIE	CV-200	7920-0010	8	8	8	8	8
43	EXPANSION VALVE COVER	PE FOAM	3A0944-01	2	2	2	2	2
44	THERMISTOR	-	429006-03	1	1	1	1	1
45	HOLDER - THERMISTOR	COPPER	438247-01	1	1	1	1	1
46	INSULATION - THERMISTOR	PE FOAM	427441-01	1	1	1	1	1
47	INSULATED RUBBER TUBE	EPDM	323975G01	1	1	1	1	1
48	INSULATION	PE FOAM	436671-01	1	1	1	1	1
49	INSULATION TUBE	L=150	7762-3555	1	1	1	1	1
50	WIRE SADDLE	VWS4238-C	4A0338-02	3	3	3	3	3
51	RECEIVER	RR MN WP450	438209-01	1	1	1	1	1

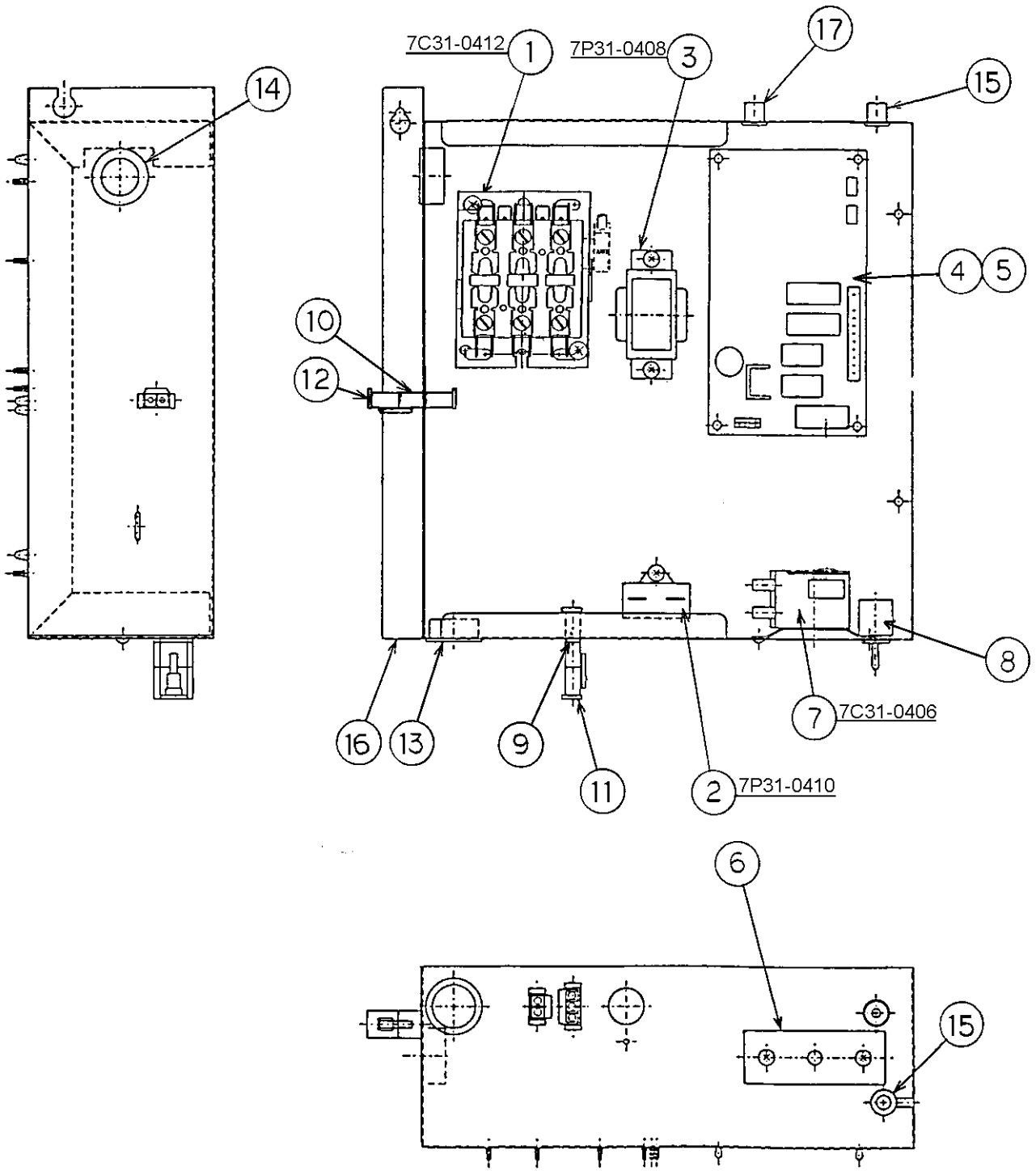




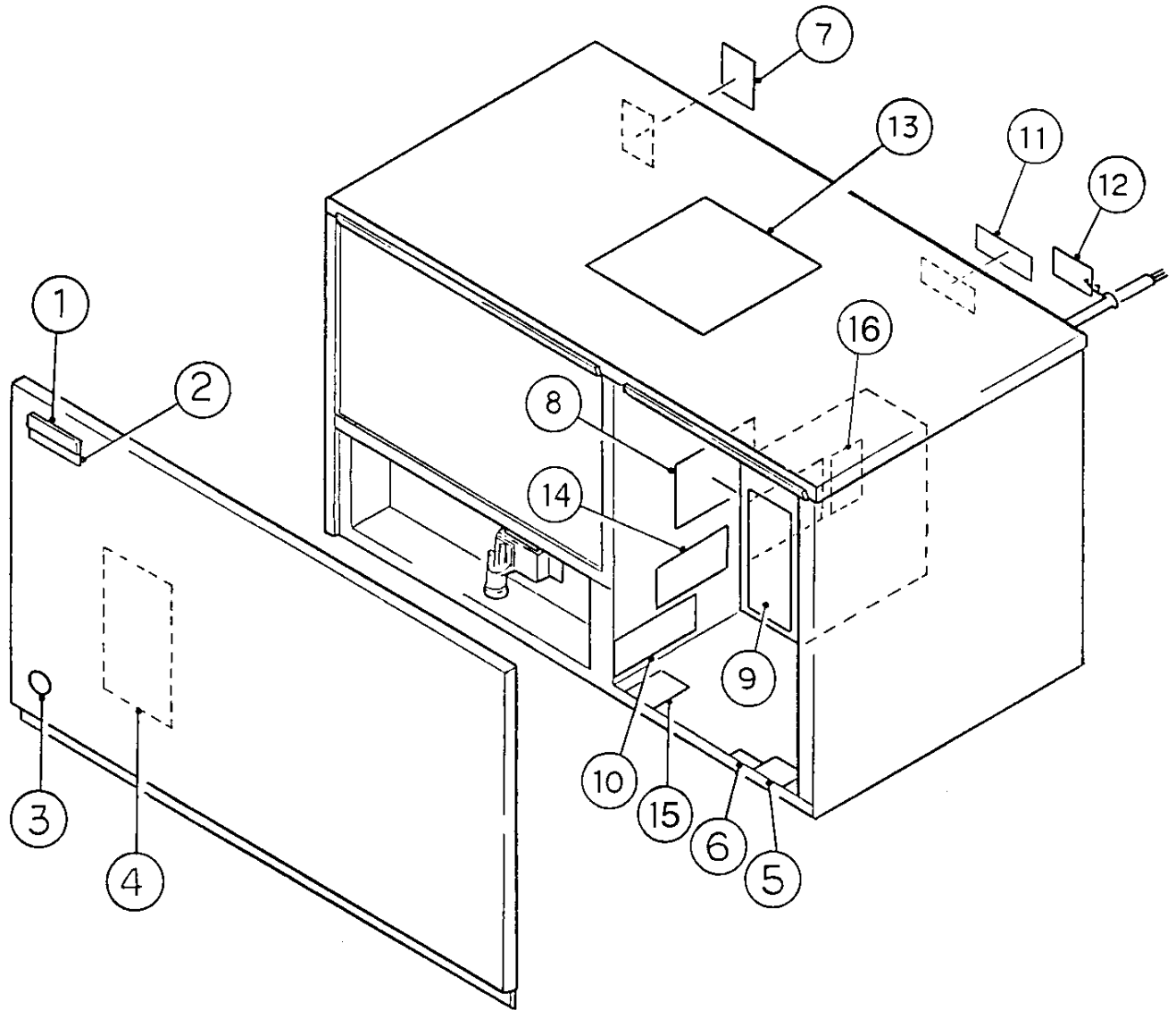
MODEL: KM-1600SWF, SWF3, SRF, SRF3 TITLE: C. WATER CIRCUIT								
INDEX NO.	DESCRIPTION	MATERIAL OR MODEL NUMBER	PART NUMBER	REQUIRED NUMBER				
				H-0 H-1	H-2	J-0 J-1	K-0	L-0
H	PUMP MOTOR ASSEMBLY	(S-0730)	215692A01	1	1	1	1	1
1	CORNER INSULATION (A)	PE FOAM	439376-01	1	1	1	1	1
2	CORNER INSULATION (B)	PE FOAM	439392-01	1	1	1	1	1
3	WATER SUPPLY PIPE	COPPER	4A0768G01	1	1	1	1	1
4	RUBBER GASKET	SI. R	413854-03	1	1	1	1	1
5	WATER VALVE BRACKET	GS	321443-01	1	1	1	1	1
6	WATER VALVE	J248-030	3U0111-01	1	1	1	1	1
7	DISTRIBUTOR HOSE (A)	EPDM	325738-01	1	1	1	1	1
8	JOINT PIPE	ABS	439297-01	1	1	1	1	1
9	DISTRIBUTOR HOSE (B)	EPDM	325738-02	1	1	1	1	1
10	CABLE TIE	CV-200	7920-0010	3	3	3	-	
11	HOSE CLAMP	SS, 13.5 mm.	427443-07	6	6	6	6	6
12	SPRAY TUBE	ABS	437049G01	6	6	6	6	6
13	SPRAY GUIDE (A)	PE	208586-01	18	18	18	18	18
14	SEPARATOR (A)	ABS	213622-01	2	2	2	2	2
15	SEPARATOR (B)	ABS	2A0100-01	2	2	2	2	2
16	CUBE GUIDE	ABS	214243-01	2	2	2	2	2
17	HOSE (A)	EPDM	435091-01	1	1	1	1	1
18	DISTRIBUTOR	ABS	438276G01	1	1	1	1	1
19	HOSE CLAMP	SS, 32 mm.	427443-09	2	2	2	5	5
20	DISTRIBUTOR HOSE (C)	EPDM	323985-01	2	2	2	2	2
21	HOSE CLAMP	SS, 25 mm.	427443-03	11	11	11	11	11
22	HOSE (B)	EPDM	436599-01	1	1	1	1	1
23	VALVE HOUSING - DRAIN	ABS	323613-01	1	1	1	1	1
24	SPRING	SS	322110-01	1	1	1	1	x1
25	VALVE SHEET	EPDM	433705-01	1	1	1	1	1
26	OVERFLOW CAP	PE	323978-01	1	1	1	1	1
27	JOINT - OVERFLOW	ABS	323923-02	1	1	1	1	1
28	BUSHING	SB-1500-21	420470-06	2	2	2	2	2

MODEL: KM-1600SWF, SWF3, SRF, SRF3 TITLE: C. WATER CIRCUIT								
INDEX NO.	DESCRIPTION	MATERIAL OR MODEL NUMBER	PART NUMBER	REQUIRED NUMBER				
				H-0 H-1	H-2	J-0 J-1	K-0	L-0
29	VALVE HOLDER	GS	3A1178-01	1	1	1	1	1
30	MICRO SWITCH	V3L-111-08	4A0365-01	1	1	1	1	1
31	TAPPING SCREW	3 x 14	431415-02	2	2	2	2	2
32	FLOAT SWITCH BRACKET	SS	3A0449-01	1	1	-		
33	CONNECTOR - FLOAT SWITCH	EPDM	3A1325-03	1	1	1	1	1
34	FLOAT SWITCH	163795	4A0886-01	1	1	1	1	1
35	JOINT HOSE	EPDM	439309-02	1	1	1	1	1
36	CLAMP	No. 4253	427902-05	1	1	1	1	1
37	HANDLE	JH1352	215383-01	1	1	1	1	1
38	"O" RING	1AP18	7611-P018	1	1	1	1	1
39	"O" RING	1AG35	7611-G035	1	1	1	1	1
40	DRAIN HOSE	EPDM	324757-01	1	1	1	1	1
41	DRAIN	AC	309246-01	1	1	1	1	1
42	"O" RING	1AP15	7611-P015	1	1	1	1	1
43	FLOAT SWITCH STOP	SS	4A0137-01	1	1	1	1	1
44	DISTRIBUTOR (C)	ABS	439238-01	1	1	1	1	1
45	JOINT HOSE	EPDM	439296-01	1	1	1	1	1
46	DISTRIBUTOR (B)	ABS	439239-01	1	1	1	1	1
47	FLANGE	EPDM	439267-02	1	1	1	1	1
48	BYPASS HOSE	SANTOPREN E	439237-02	1	1	1	1	1
49	MALE ADAPTOR	ABS	325826-01	2	2	2	2	2
50	"O" RING	1AP18	7611-P018	2	2	2	2	2
51	BALL VALVE	PVC	439293-01	1	1	1	1	1
52	SILICONE HOSE	L=140	7730I3812	1	1	1	1	1
53	SILICONE HOSE	L=390	7730I3896	1	1	1	1	1
54	INSULATION HOSE	L=120	7762-3555	1	1	1	1	1
55	INSULATION HOSE	L=80	7962-3555	1	1	1	1	1
56	INSULATION HOSE	L=150	7962-3555	1	1	1	1	1

MODEL: KM-1600SWF, SWF3, SRF, SRF3 TITLE: C. WATER CIRCUIT								
INDEX NO.	DESCRIPTION	MATERIAL OR MODEL NUMBER	PART NUMBER	REQUIRED NUMBER				
				H-0 H-1	H-2	J-0 J-1	K-0	L-0
57	VINYL HOSE	L=170	7716-2732	1	1	1	1	1
58	VINYL HOSE	L=230	7716-2732	1	1	1	1	1

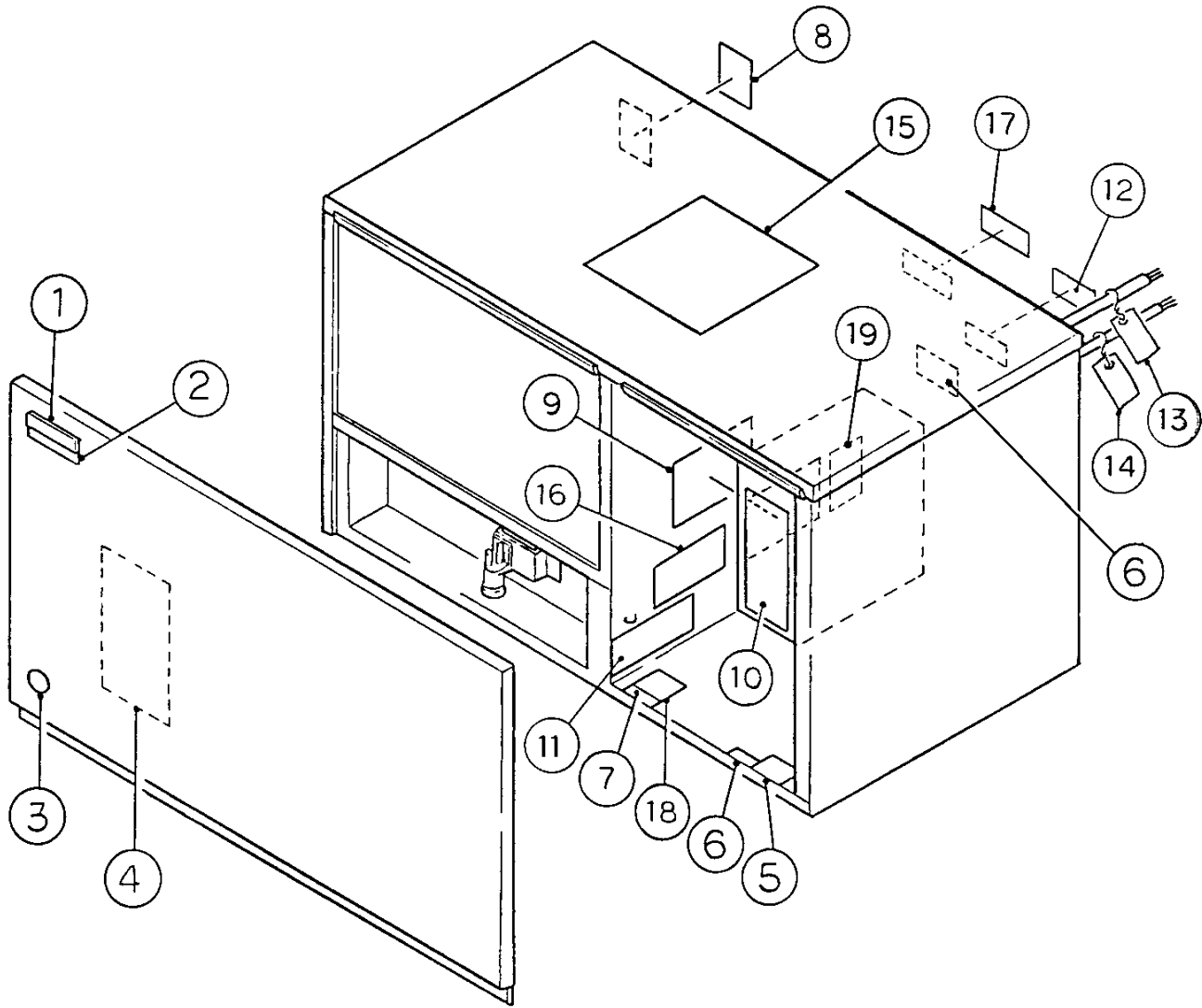


MODEL: KM-1600SWF, SWF3, SRF, SRF3 TITLE: D. CONTROL BOX ASSEMBLY								
INDEX NO.	DESCRIPTION	MATERIAL OR MODEL NUMBER	PART NUMBER	REQUIRED NUMBER				
				H-0 H-1	H-2	J-0 J-1	K-0	L-0
1	MAGNETIC CONTACTOR	A77-309040A-226	4A0794-01	1	1	1	1	-
2	CAPACITOR	250V, 10MFD	443192-01	1	1	1	1	1
3	TRANSFORMER	26D285H	3A0172-01	1	1	1	1	1
4	CONTROLLER BOARD	HOSHIZAKI – 001A	2A1410-01	1	1	1	1	1
5	BOARD SUPPORT	CBLS37-M	4A0336-03	4	4	4	4	4
6	CONTROL LABEL	PES FILM	4A1758-01	1	1	1	1	1
7	THERMOSTAT	A30-3842-00	4A0824-02	1	1	1	1	1
8	TOGGLE SWITCH	7563K6	443119-01	1	1	1	1	1
9	3P PLUG HOUSING	3191-03P	412832-06	1	1	1	1	1
10	2P PLUG HOUSING	3190-02P (RED)	412832-07	1	1	1	1	1
11	3P RECEPTACLE HOUSING	3191-03R1	412831-06	1	1	1	1	1
12	2P RECEPTACLE HOUSING	3191-02R1 (RED)	412831-07	1	1	1	1	1
13	BUSHING	SB-1093-15	420470-03	1	1	1	1	1
14	BUSHING	SB-1093-13	420470-12	1	1	1	1	1
15	BUSHING	OCB-500	428394-02	2	2	2	2	2
16	CONTROL BOX	GS	2A1082G02	1	1	1	1	1
17	BUSHING	OCB-875	428394-04	1	1	1	1	1



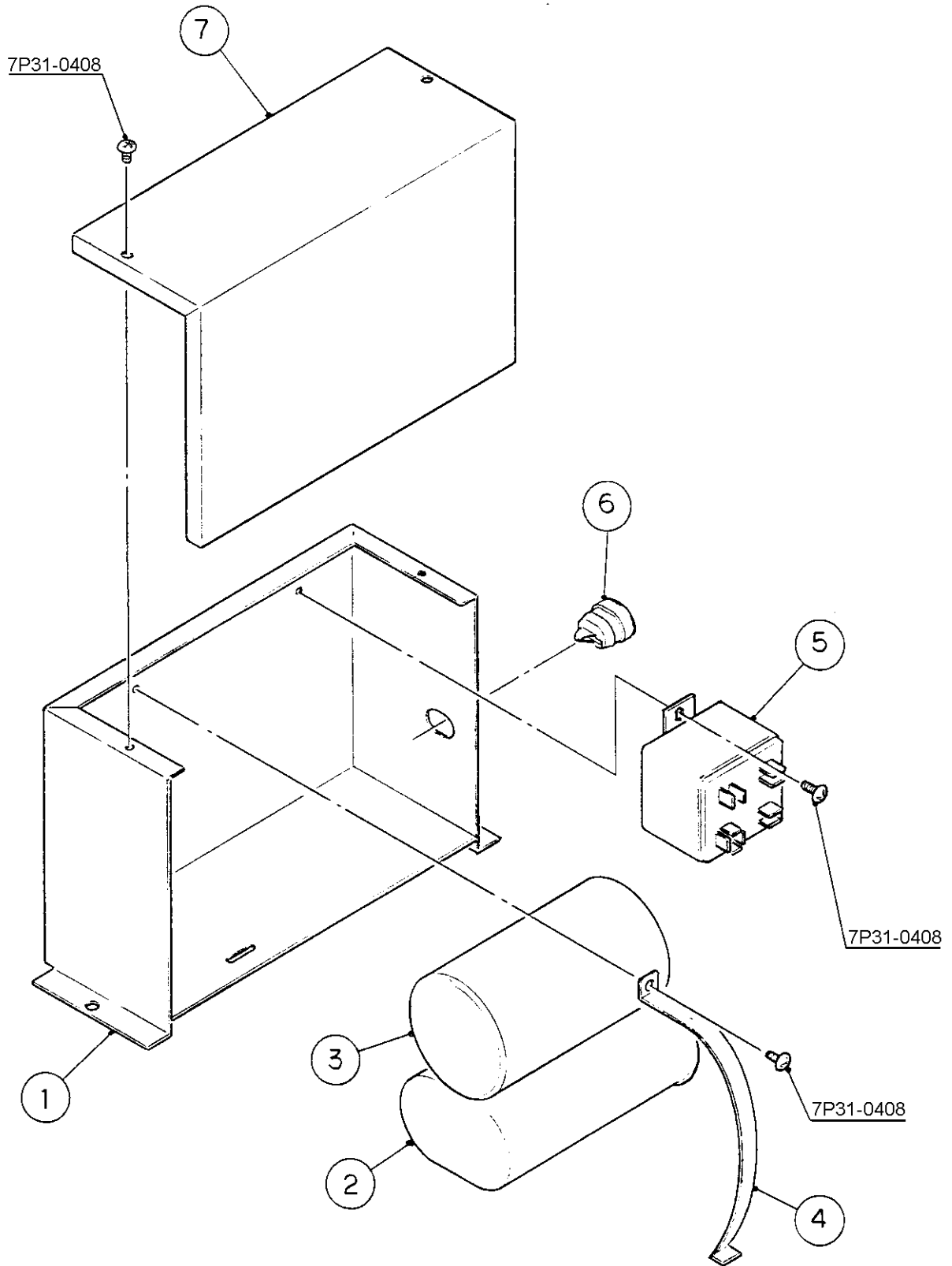
MODEL: KM-1600SWF TITLE: E. LABEL LOCATION								
INDEX NO.	DESCRIPTION	MATERIAL OR MODEL NUMBER	PART NUMBER	REQUIRED NUMBER				
				H-1	H-2	J-0	K-0	L-0
1	EMBLEM	ABS	4A0560-01	1	1	1	1	1
2	MODEL NUMBER LABEL	PETP FILM	4A1233-16	1	1	1	1	1
3	LABEL - PENGUIN (R)	PETP FILM	4A0526-01	1	1	1	1	1
4	MAINTENANCE LABEL	PVC FILM	326275-01	1	1	1	1	1
5	CAUTION LABEL (K)	PVC FILM	439150-01	1	1	1	1	1
6	LABEL - R404A	PES FILM	4A0960-01	1	1	1	1	1
7	NAMEPLATE	PES FILM	4A1657-01	1	1	1	1	1
8	WIRING LABEL	PVC FILM	3A1002-01	1	1	1	1	1
9	MANUAL LABEL	PVC FILM	324476-01	1	1	1	1	1
10	MANUAL LABEL - BIN CONTROL	PVC FILM	324477-01	1	1	1	1	1
11	INSTRUCTION LABEL	PVC FILM	444575-01	1	1	1	1	1
12	TAG - WARNING: ELECTRICAL CONNECTION	PAPER	428430-01	1	1	1	1	1
13	INSTRUCTION SHEET	PAPER	2A1084-01	1	1	1	1	1
14	OPERATION LABEL - VALVE	PVC FILM	439541-01	1	1	1	1	1
15	RATING LABEL	PES FILM	4A1659-01	1	1	1	1	1
16	LABEL – CONTROL BOARD	PVC FILM	3A1272-01	1	1	1	1	1

MODEL: KM-1600SWF3 TITLE: E. LABEL LOCATION								
INDEX NO.	DESCRIPTION	MATERIAL OR MODEL NUMBER	PART NUMBER	REQUIRED NUMBER				
				H-1	J-1	K-0	L-0	
1	EMBLEM	ABS	4A0560-01	1	1	1	1	
2	MODEL NUMBER LABEL	PETP FILM	4A1233-17	1	1	1	1	
3	LABEL - PENGUIN (R)	PETP FILM	4A0526-01	1	1	1	1	
4	MAINTENANCE LABEL	PVC FILM	326275-01	1	1	1	1	
5	CAUTION LABEL (K)	PVC FILM	439150-01	1	1	1	1	
6	LABEL - R404A	PES FILM	4A0960-01	1	1	1	1	
7	NAMEPLATE	PES FILM	4A1658-01	1	1	1	1	
8	WIRING LABEL	PVC FILM	3A0991-01	1	1	1	1	
9	MANUAL LABEL	PVC FILM	324476-01	1	1	1	1	
10	MANUAL LABEL - BIN CONTROL	PVC FILM	324477-01	1	1	1	1	
11	INSTRUCTION LABEL	PVC FILM	444575-01	1	1	1	1	
12	TAG - WARNING: ELECTRICAL CONNECTION	PAPER	438479-01	1	1	1	1	
13	INSTRUCTION SHEET	PAPER	2A1084-01	1	1	1	1	
14	OPERATION LABEL - VALVE	PVC FILM	439541-01	1	1	1	1	
15	RATING LABEL	PES FILM	4A1660-01	1	1	1	1	
16	LABEL – CONTROL BOARD	PVC FILM	3A1272-01	1	1	1	1	

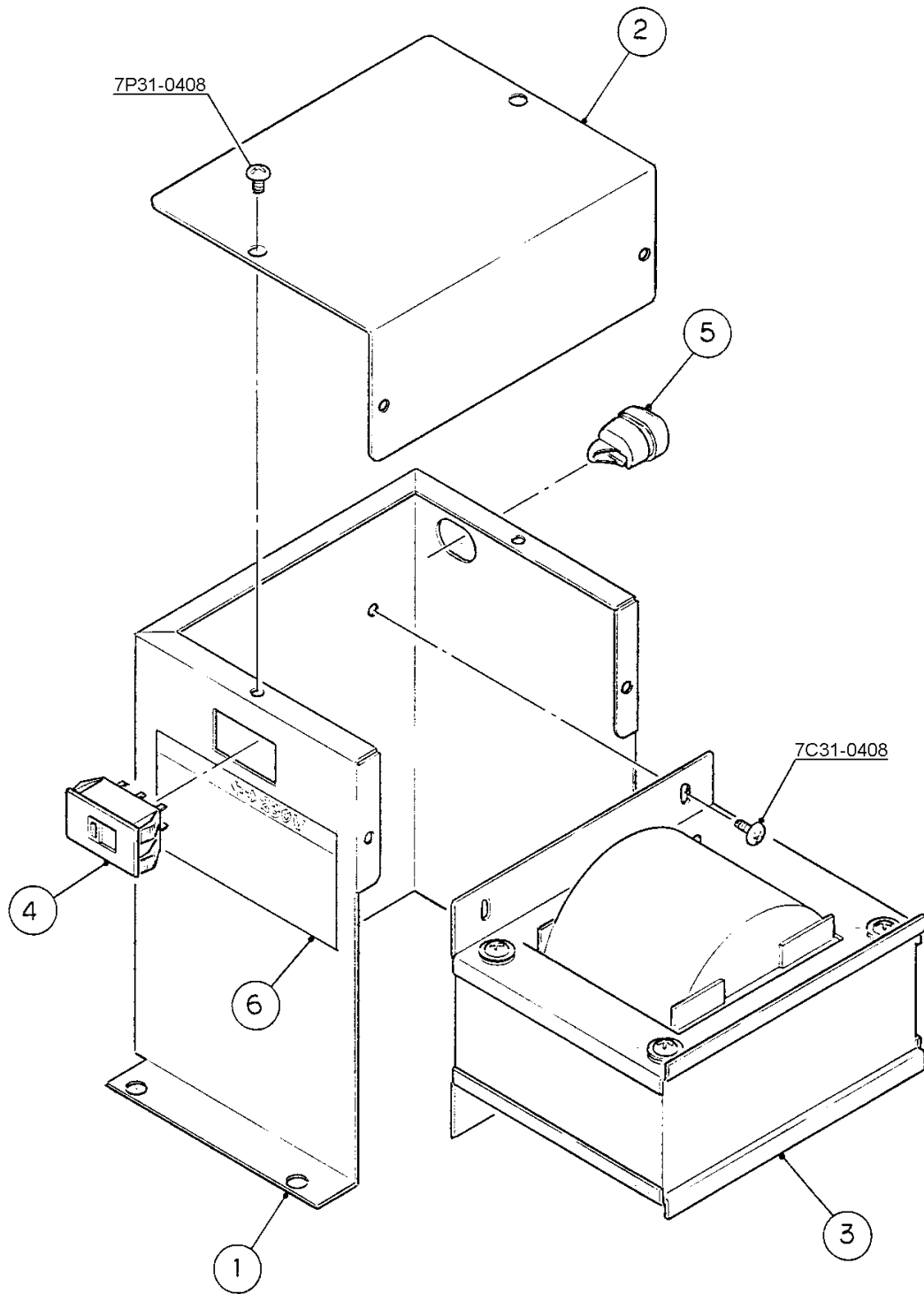


MODEL: KM-1600SRF TITLE: E. LABEL LOCATION								
INDEX NO.	DESCRIPTION	MATERIAL OR MODEL NUMBER	PART NUMBER	REQUIRED NUMBER				
				H-0	H-1	H-2	J-1	K-0 L-0
1	EMBLEM	ABS	4A0560-01	1	1	1	1	1
2	MODEL NUMBER LABEL	PETP FILM	4A1233-14	1	1	1	1	1
3	LABEL - PENGUIN (R)	PETP FILM	4A0526-01	1	1	1	1	1
4	MAINTENANCE LABEL	PVC FILM	326275-01	1	1	1	1	1
5	CAUTION LABEL (K)	PVC FILM	439150-01	1	1	1	1	1
6	LABEL - R404A	PES FILM	4A0960-01	2	2	2	2	2
7	LABEL - CHARGE	PES FILM	4A1399-05	1	1	1	1	1
8	NAMEPLATE	PES FILM	4A1554-01	1	1	1	1	1
9	WIRING LABEL	PVC FILM	3A1002-01	1	1	1	1	1
10	MANUAL LABEL	PVC FILM	324476-01	1	1	1	1	1
11	MANUAL LABEL - BIN CONTROL	PVC FILM	324477-01	1	1	1	1	1
12	CAUTION - REMOTE LABEL	PVC FILM	4A1491-01	1	1	1	1	1
13	TAG - WARNING: ELECTRICAL CONNECTION	PAPER	428430-01	1	1	1	1	1
14	TAG - FAN MOTOR LEADS	PAPER	4A1494-01	1	1	1	1	1
15	INSTRUCTION SHEET	PAPER	2A1084-01	1	1	1	1	1
16	OPERATION LABEL - VALVE	PVC FILM	439541-01	1	1	1	1	1
17	INSTRUCTION LABEL	PVC FILM	444575-01	1	1	1	1	1
18	RATING LABEL	PES FILM	4A1577-01	1	1	1	1	1
19	LABEL – CONTROL BOARD	PVC FILM	3A1272-01	1	1	1	1	1

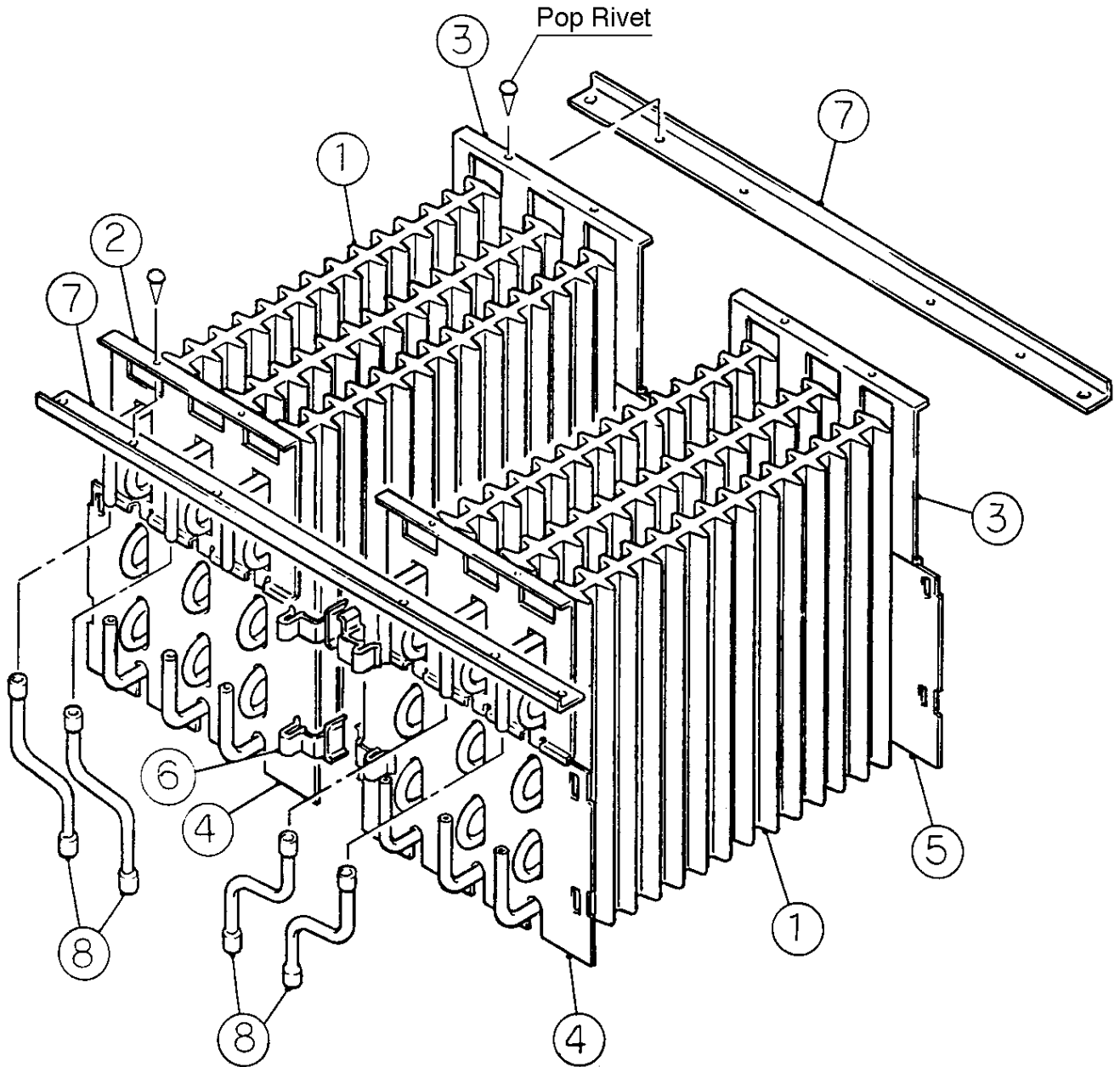
MODEL: KM-1600SRF3 TITLE: E. LABEL LOCATION								
INDEX NO.	DESCRIPTION	MATERIAL OR MODEL NUMBER	PART NUMBER	REQUIRED NUMBER				
				H-0	H-1	H-2	J-0	K-0 L-0
1	EMBLEM	ABS	4A0560-01	1	1	1	1	1
2	MODEL NUMBER LABEL	PETP FILM	4A1233-15	1	1	1	1	1
3	LABEL - PENGUIN (R)	PETP FILM	4A0526-01	1	1	1	1	1
4	MAINTENANCE LABEL	PVC FILM	326275-01	1	1	1	1	1
5	CAUTION LABEL (K)	PVC FILM	439150-01	1	1	1	1	1
6	LABEL - R404A	PES FILM	4A0960-01	2	2	2	2	2
7	LABEL - CHARGE	PES FILM	4A1399-05	1	1	1	1	1
8	NAMEPLATE	PES FILM	4A1554-01	1	1	1	1	1
9	WIRING LABEL	PVC FILM	3A0991-01	1	1	1	1	1
10	MANUAL LABEL	PVC FILM	324476-01	1	1	1	1	1
11	MANUAL LABEL - BIN CONTROL	PVC FILM	324477-01	1	1	1	1	1
12	CAUTION - REMOTE LABEL	PVC FILM	4A1491-01	1	1	1	1	1
13	TAG - WARNING: ELECTRICAL CONNECTION	PAPER	438479-01	1	1	1	1	1
14	TAG - FAN MOTOR LEADS	PAPER	4A1494-01	1	1	1	1	1
15	INSTRUCTION SHEET	PAPER	2A1084-01	1	1	1	1	1
16	OPERATION LABEL - VALVE	PVC FILM	439541-01	1	1	1	1	1
17	INSTRUCTION LABEL	PVC FILM	444575-01	1	1	1	1	1
18	RATING LABEL	PES FILM	4A1578-01	1	1	1	1	1
19	LABEL – CONTROL BOARD	PVC FILM	3A1272-01	1	1	1	1	1



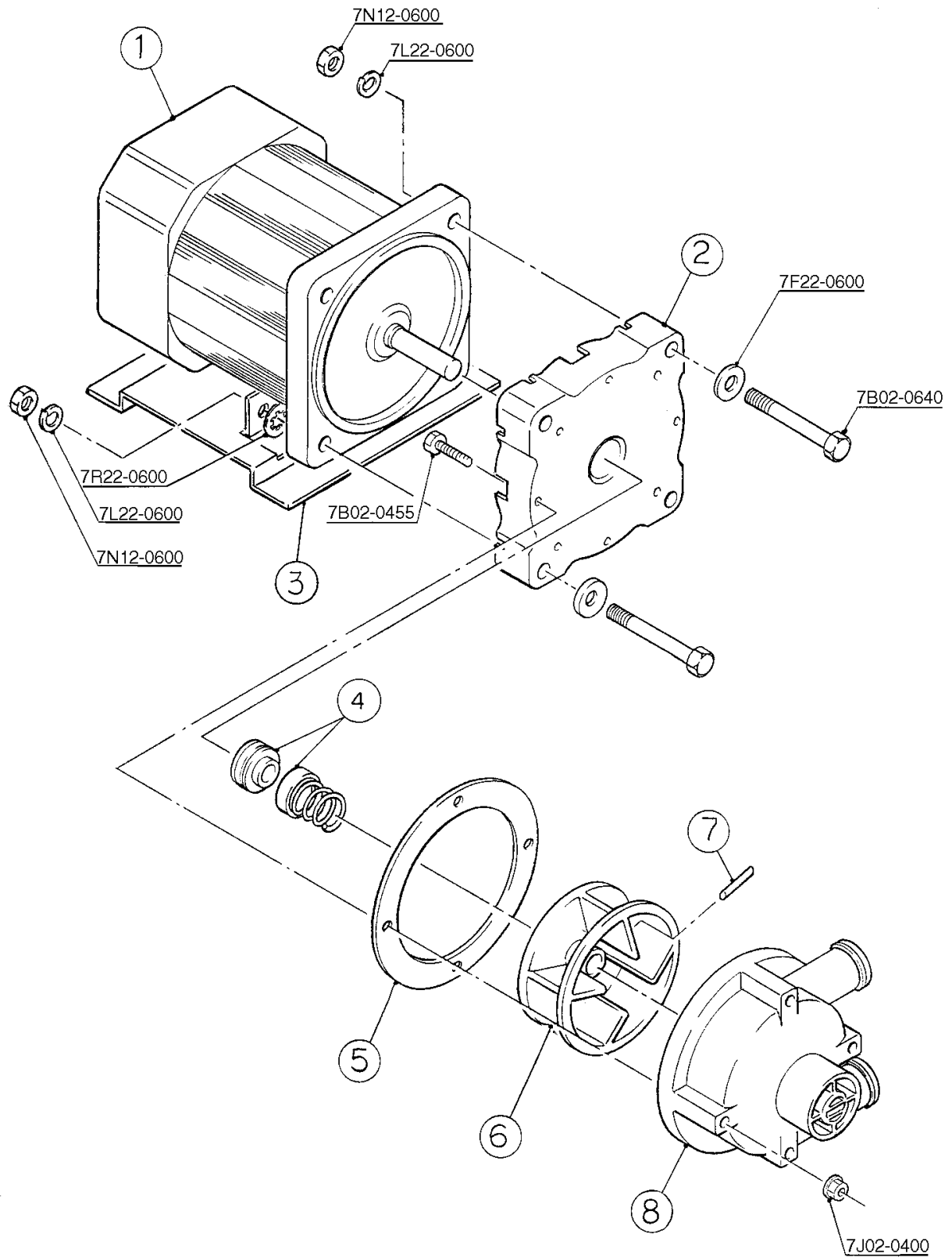
MODEL: KM-1600SWF, SRF TITLE: F. CAPACITOR BOX ASSEMBLY								
INDEX NO.	DESCRIPTION	MATERIAL OR MODEL NUMBER	PART NUMBER	REQUIRED NUMBER				
				H-0	H-1	H-2	J-0 J-1	K-0 L-0
1	CAPACITOR BOX	GS	326124-02	1	1	1	1	1
2	CAPACITOR	40MFD, 370V	439943-09	1	1	1	1	1
3	CAPACITOR - STARTING	189-227MFD, 330V	3A0076-12	1	1	1	1	1
4	STRAP	GS	434580-08	1	1	1	1	1
5	STARTER	3ARR3CT10S	434923-01	1	1	1	1	x1
		5 -	4A1107-09					
6	BUSHING	SR-30-1	420472-05	1	1	1	1	1
7	CAPACITOR BOX COVER	GS	326125-01	1	1	1	1	1



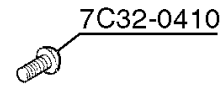
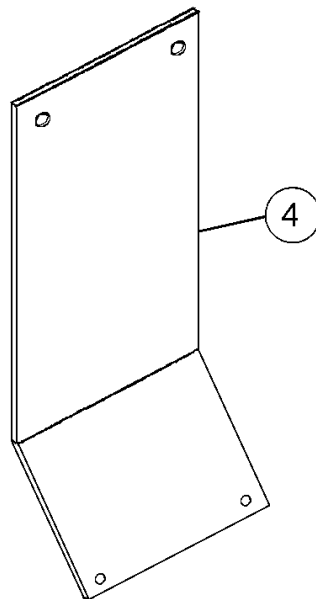
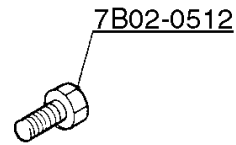
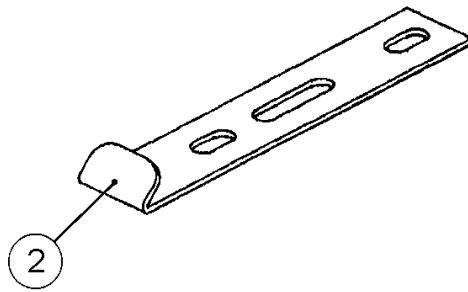
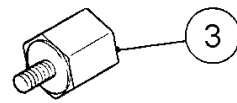
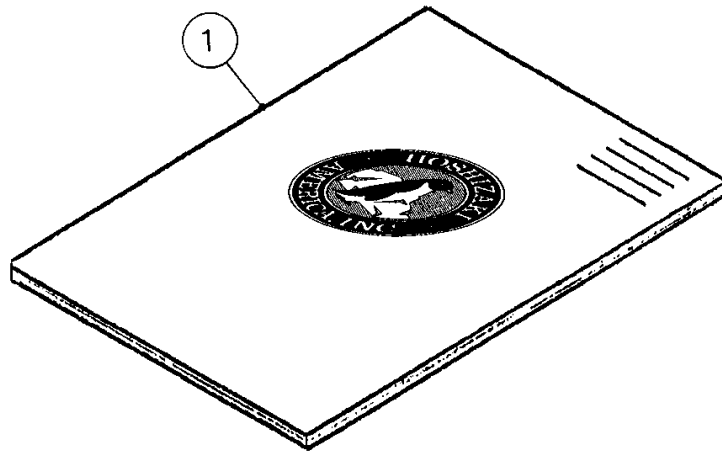
MODEL: KM-1600SWF3, SRF3 TITLE: F. TRANSFORMER BOX ASSEMBLY								
INDEX NO.	DESCRIPTION	MATERIAL OR MODEL NUMBER	PART NUMBER	REQUIRED NUMBER				
				H-0 H-1	H-2	J-0	J-1	K-0 L-0
1	TRANSFORMER BOX	-	3A1101-01	1	1	1	1	1
2	TRANSFORMER BOX COVER	40MFD, 440V	438467-01	1	1	1	1	1
3	TRANSFORMER		3A0817-01	1	1	1	1	1
4	SLIDE SWITCH		4A1477-01	1	1	1	1	1
5	BUSHING	SR-30-1	420472-03	1	1	1	1	1
6	MANUAL LABEL - TAP SWITCH	PVC FILM	439423-01	1	1	1	1	1



MODEL: KM-1600SWF, SWF3, SRF, SRF3 TITLE: G. EVAPORATOR								
INDEX NO.	DESCRIPTION	MATERIAL OR MODEL NUMBER	PART NUMBER	REQUIRED NUMBER				
				H-0 H-1	H-2	J-0 J-1	K-0	L-0
1	EVAPORATOR	(S-0533)	103444G02	6	6	6	6	6
2	EVAPORATOR BRACKET (A)	SS	323690-01	2	2	2	2	2
3	EVAPORATOR BRACKET (B)	SS	323691-01	2	2	2	2	2
4	END PLATE (A)	ABS	323692-01	2	2	2	2	2
5	END PLATE (B)	ABS	323693-01	2	2	2	2	2
6	HOOK	PE	324152-01	8	8	8	8	8
7	EVAPORATOR BRACKET	GS	436582-01	2	2	2	2	2
8	COPPER TUBE	COPPER	434137-01	4	4	4	4	4



MODEL: KM-1600SWF, SWF3, SRF, SRF3 TITLE: H. PUMP MOTOR ASSEMBLY								
INDEX NO.	DESCRIPTION	MATERIAL OR MODEL NUMBER	PART NUMBER	REQUIRED NUMBER				
				H-0 H-1	H-2	J-0 J-1	K-0	L-0
1	PUMP MOTOR	M91A60SP201	2U0106-01	1	1	1	1	1
2	PUMP FLANGE	PC	215662-01	1	1	1	1	1
3	PUMP MOTOR BRACKET	SS	323904-01	1	1	1	1	1
	TOOTH WASHER	SS, M6	7R22-0600	2	1	1	1	1
	HEX HEAD BOLT	SS, 6X40	7B02-0640	4	1	1	1	1
	FLAT WASHER	SS, M6	7W22-0600	4	1	1	1	1
	SPLIT LOCK WASHER	SS, M6	7L22-0600	4	1	1	1	1
	NUT	SS, M6	7N12-0600	4	1	1	1	1
4	MECHANICAL SEAL	H5-PN, 8MM	428545-01	1	1	1	1	1
5	PACKING	EPDM	428547-01	1	1	1	1	1
6	IMPELLER	ABS	436584-01	1	1	1	1	1
7	PIN	SS	414102-01	1	1	1	1	1
8	PUMP HOUSING	ABS	213687-01	1	1	1	1	1
	HEX HEAD BOLT	SS, 4X55	7B02-0455	4	4	4	4	4
	FLANGE NUT	SS, M4	7J02-0400	4	4	4	4	4



MODEL: KM-160SWF, SWF3, SRF, SRF3 TITLE: J. ACCESSORIES								
INDEX NO.	DESCRIPTION	MATERIAL OR MODEL NUMBER	PART NUMBER	REQUIRED NUMBER				
				H-0	H-2	J-0	K-0	L-0
1	INSTRUCTION MANUAL	PAPER	91A1GA10A	1	1	1	1	1
2	UNIVERSAL BRACE	GS	4A0363-01	2	2	2	2	2
3	THUMBSCREW	ABS, SS	415949G01	1	1	1	1	1
4	THERMOSTAT EXTENSION BRACKET	SS	3A0408-01	1	1	1	1	1