



HOSHIZAKI

STACKABLE CRESCENT CUBER

MODELS
KM-1800SAH
KM-1800SAH3
KM-1800SWH
KM-1800SWH3
KM-1800SRH
KM-1800SRH3

PARTS LIST

CONTENTS

Note About Ordering Parts	3
Material Abbreviations	4
A. Ice Cuber Assembly	5
KM-1800SAH	5
KM-1800SAH3	8
KM-1800SWH, KM-1800SWH3	11
KM-1800SRH, KM-1800SRH3	13
B. Refrigeration Circuit	15
KM-1800SAH, KM-1800SAH3	15
KM-1800SWH, KM-1800SWH3	20
KM-1800SRH, KM-1800SRH3	25
C. Water Circuit.....	30
KM-1800SAH, KM-1800SAH3, KM-1800SWH, KM-1800SWH3, KM-1800SRH, KM-1800SRH3	30
D. Control Box Assembly	33
KM-1800SAH, KM-1800SAH3	33
KM-1800SAH, KM-1800SAH3, KM-1800SWH, KM-1800SWH3, KM-1800SRH, KM-1800SRH3	34
E. Label Location	36
KM-1800SAH, KM-1800SAH3	36
KM-1800SWH, KM-1800SWH3	40
KM-1800SRH, KM-1800SRH3	42
F. Capacitor Box Assembly	44
KM-1800SAH, KM-1800SWH, KM-1800SRH	44
F. Transformer Box Assembly.....	46
KM-1800SAH3, KM-1800SWH3, KM-1800SRH3	46
G. Evaporator	48
KM-1800SAH, KM-1800SAH3, KM-1800SWH, KM-1800SWH3, KM-1800SRH, KM-1800SRH3	48
H. Pump Motor Assembly	49
KM-1800SAH, KM-1800SAH3, KM-1800SWH, KM-1800SWH3, KM-1800SRH, KM-1800SRH3	49
J. Accessories & Packaging.....	51
KM-1800SAH, KM-1800SAH3, KM-1800SWH, KM-1800SWH3, KM-1800SRH, KM-1800SRH3	51

KM-1800SAH	L-0	December 2000
	M-0	March 2002
	M-1	May 2002
	N-0	December 2002
	N-1	March 2003
	P-0	December 2003
	P-1	June 2004
	Q-0	December 2004
KM-1800SAH3	L-0	December 2000
	M-1	August 2002
	N-0	February 2003
	N-1	March 2003
	P-0	January 2004
	P-1	June 2004
	Q-0	January 2005
KM-1800SWH	Q-0	June 2005
KM-1800SWH3	Q-0	June 2005
KM-1800SRH	Q-0	April 2005
KM-1800SRH3	Q-0	April 2005

Note About Ordering Parts

Most assemblies cannot be ordered as complete units; parts in the assemblies generally must be ordered separately.

Material Abbreviations

ALUMINUM

AL = Aluminum

COPPER

CU = Copper

PLASTIC

ABS = Acrylonitrile -butadiene - styrene
AC = Polyacetal
EVA = Ethylene vinyl acetate
PA = Polyamide = Nylon
PC = Polycarbonate
PE = Polyethylene
PES = Polyester
PETP = Polyethylene terephthalate = Tetlon
PP = Polypropylene
PS = Polystyrene
PTFE = Polytetrafluoroethylene = Teflon
PUR = Polyurethane
PVC = Polyvinyl chloride

RUBBER

VN = Vinyl Nitrile
EPDM = EP rubber
NBR = Nitrile butadiene rubber
NR = Natural rubber
NP = Neoprene
SI.R = Silicone rubber
SY.R = Synthetic rubber
EPH = Epichlorohydrin

STEEL

GS = Galvanized steel
SS = Stainless steel
PS = Plated steel
PAS = Primed steel

AUXILIARY CODE

K-0

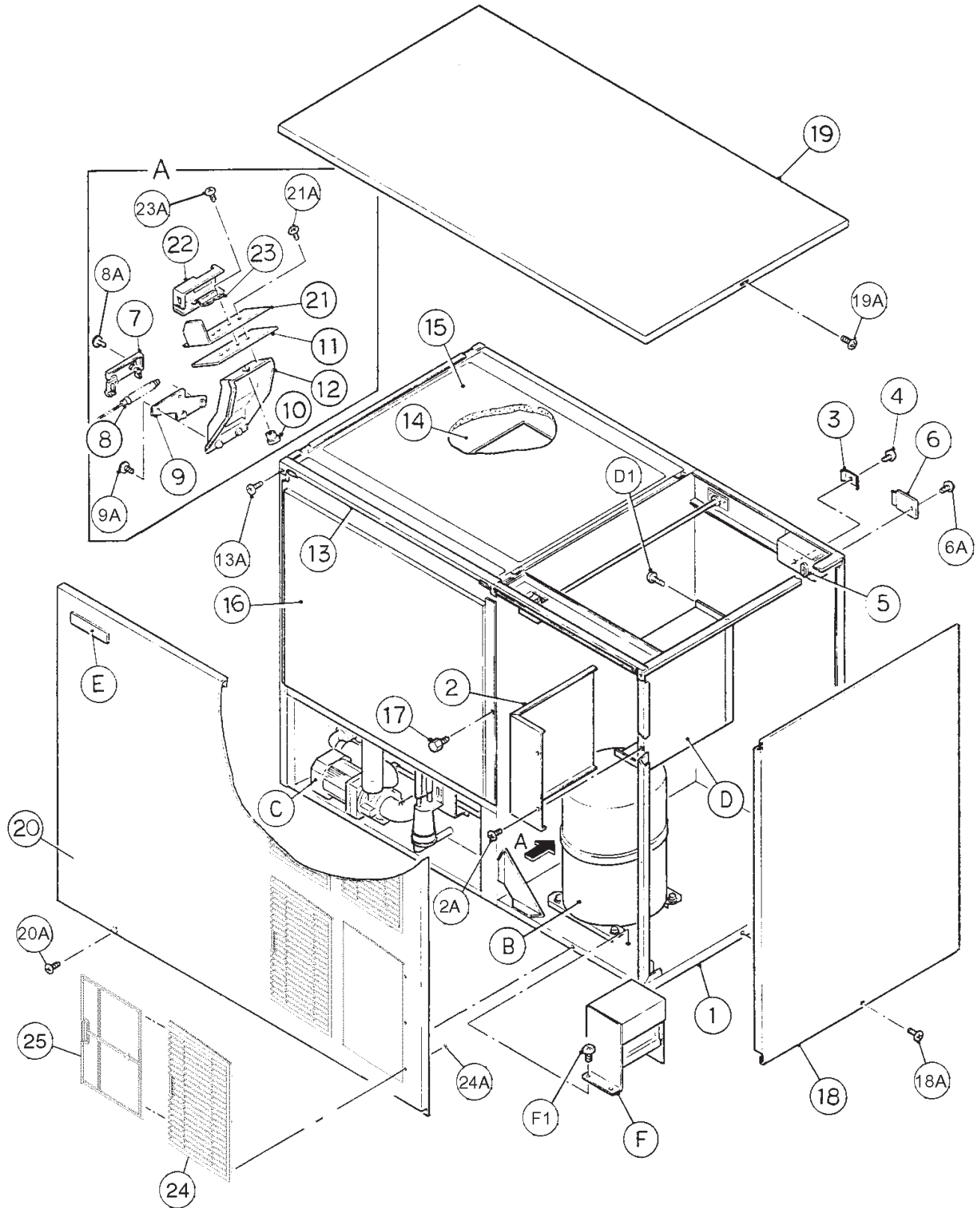
TT Designates the year. "K" indicates the year 2000. Years progress or regress in alphabetical order. "J" is 1999, "L" is 2001, "M" is 2002, and so on. The letters "I" and "O" were skipped.
TT Designates significant part changes within the same year for this model. Base is 0 and this number advances for each change.

Example: P-1

TT "P" indicates 2004.
TT "1" indicates the first significant part change for 2004.

A. Ice Cuber Assembly KM-1800SAH

L-0, M-0, M-1, N-0, N-1, P-0, P-1, Q-0



Title: **A. Ice Cuber Assembly** Model: **KM-1800SAH**

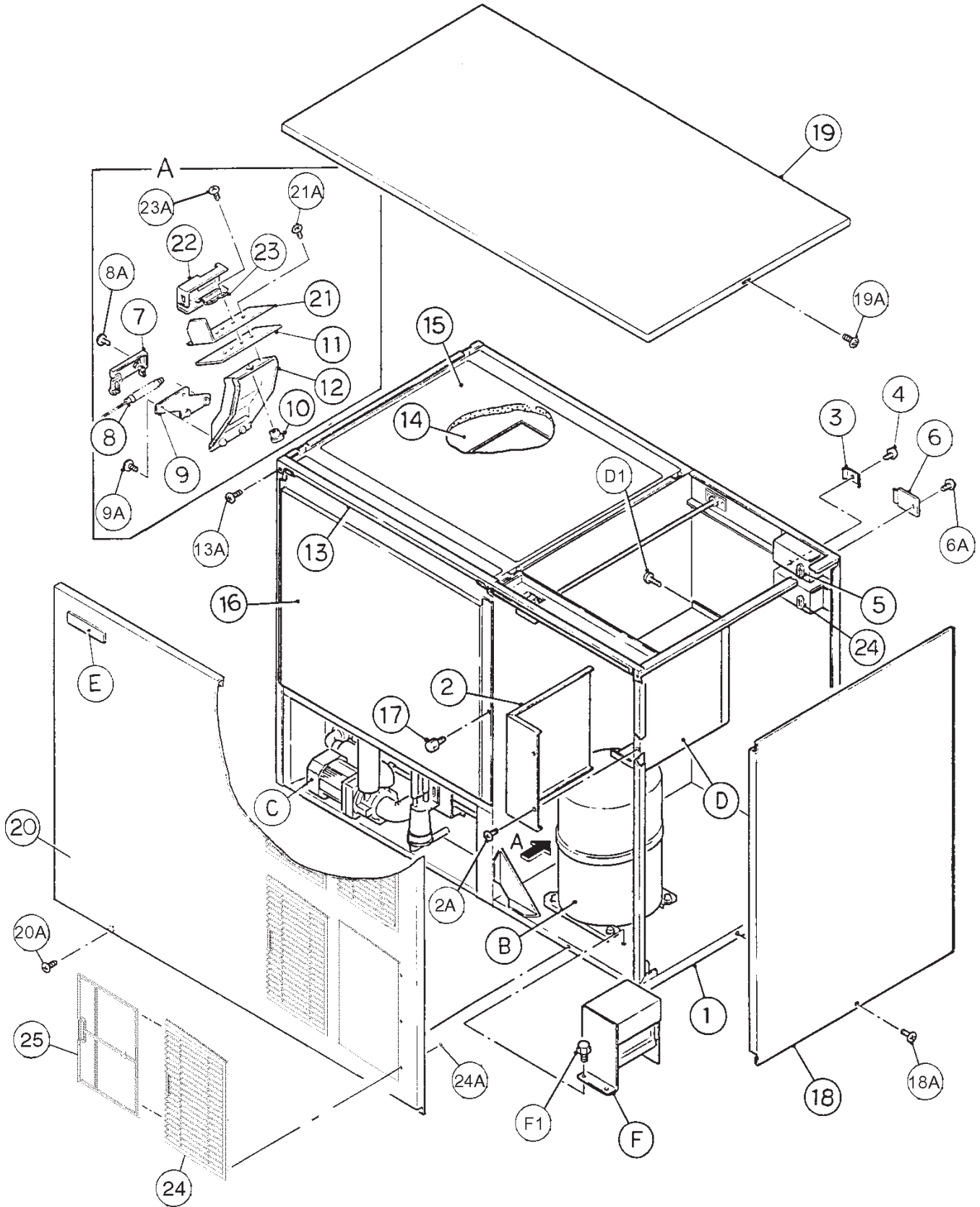
Index No.	Description	Material or Model Number	Part Number	Required Number																
				L-00006M to L-00085C	L-00086J to L-00105J	M-0	M-1 to Q-0													
B	REFRIGERATION CIRCUIT	-	1A0533A02	1	-															
			1A0533A04		1	1	1													
C	WATER CIRCUIT	-	105122A05	1	1	1	1													
D	CONTROL BOX ASSEMBLY	-	2A1122A03	1	1	1	-													
			2A2527A01					1												
D1	T2 SCREW	4x8	7P31-0408	2	2	2	2													
E	LABEL LOCATION	-	2A2003A02	1	1	1	-													
			2A2558A02					1												
F	CAPACITOR BOX ASSEMBLY	-	3A1003A02	1	-															
			3A2054A02		1	1	1													
F1	T2 SCREW	4x8	7P31-0408	2	2	2	2													
1	EVAPORATOR CASE	-	2A1102G07	1	1	-														
			2A2100G02				1	1												
2	CONTROL BOX COVER	GS	3A0174-01	1	1	1	-													
			3A2386-01					1												
2A	T2 SCREW	4x8	7P31-0408	3	3	3	3													
3	SQUARE WASHER	BRASS	433537-02	1	1	1	1													
4	SCREW - GROUNDING	BRASS	433304-02	1	1	1	1													
5	BUSHING	SR-34-2	420472-05	1	1	1	1													
6	JUNCTION BOX COVER	GS	433410-01	1	1	1	1													
6A	T2 SCREW	4x8	7P31-0408	1	1	1	1													
7	BULB HOLDER	PE	328919-01	1	1	1	1													
8	SPACER	PE	443545-01	1	1	1	2													
8A	T2 SCREW	4x16, SS	7P32-0416	2	2	2	2													
9	BULB HOLDER (C)	ABS	325845G01	1	1	1	1													
9A	TRUSS HEAD SCREW	4x12, SS	7C32-0412	2	2	2	2													
10	BUSHING	EPDM	425307-01	1	1	1	1													
11	SPACER	ABS	439727-01	1	1	1	1													
12	BULB HOLDER (D)	ABS	215644G01	1	1	1	1													
13	FRONT PANEL - BRACKET	SS	323903-01	1	1	1	1													
13A	T2 SCREW	4x12, SS	7P32-0412	3	3	3	3													
14	SPACER	ABS	324321-01	1	1	1	1													
15	TOP INSULATION	ABS, PE	324216G01	1	1	1	1													
16	FRONT INSULATION	ABS, PE	326041G01	1	1	1	1													
17	THUMBSCREW	ABS, SS	415949G01	1	1	1	1													
18	SIDE PANEL (R)	SS	215381G02	1	1	1	1													
18A	TRUSS HEAD SCREW	4x8, SS	7C32-0408	3	3	3	3													
19	TOP PANEL	SS	2A2096-01	1	1	1	1													
19A	TRUSS HEAD SCREW	4x8, SS	7C32-0408	3	3	3	3													
20	FRONT PANEL	SS	3A1800G01	1	1	1	1													
20A	TRUSS HEAD SCREW	4x16, SS	7C32-0416	2	2	2	2													
21	BULB HOLDER (E)	GS	439725-01	1	1	1	1													
21A	TRUSS HEAD SCREW	4x12, SS	7C32-0412	2	2	2	2													
22	BULB HOLDER (F)	GS	328743-01	1	1	1	1													

Title: **A. Ice Cuber Assembly** Model: **KM-1800SAH**

Index No.	Description	Material or Model Number	Part Number	Required Number								
				L-00006M to L-00085C	L-00086J to L-00105J	M-0	M-1 to Q-0					
23	BULB HOLDER (G)	GS	439726-01	1	1	1	1					
23A	TRUSS HEAD SCREW	4x6, SS	7C32-0406	2	2	2	2					
24	LOUVER (B)	PP	1A0548-01	4	4	4	4					
24A	PUSH RETAINER	-	4A2414-01	12	12	12	12					
25	AIR FILTER (B)	PP	2A2063G01	4	4	4	4					

A. Ice Cuber Assembly KM-1800SAH3

L-0, M-1, N-0, N-1, P-0, P-1, Q-0

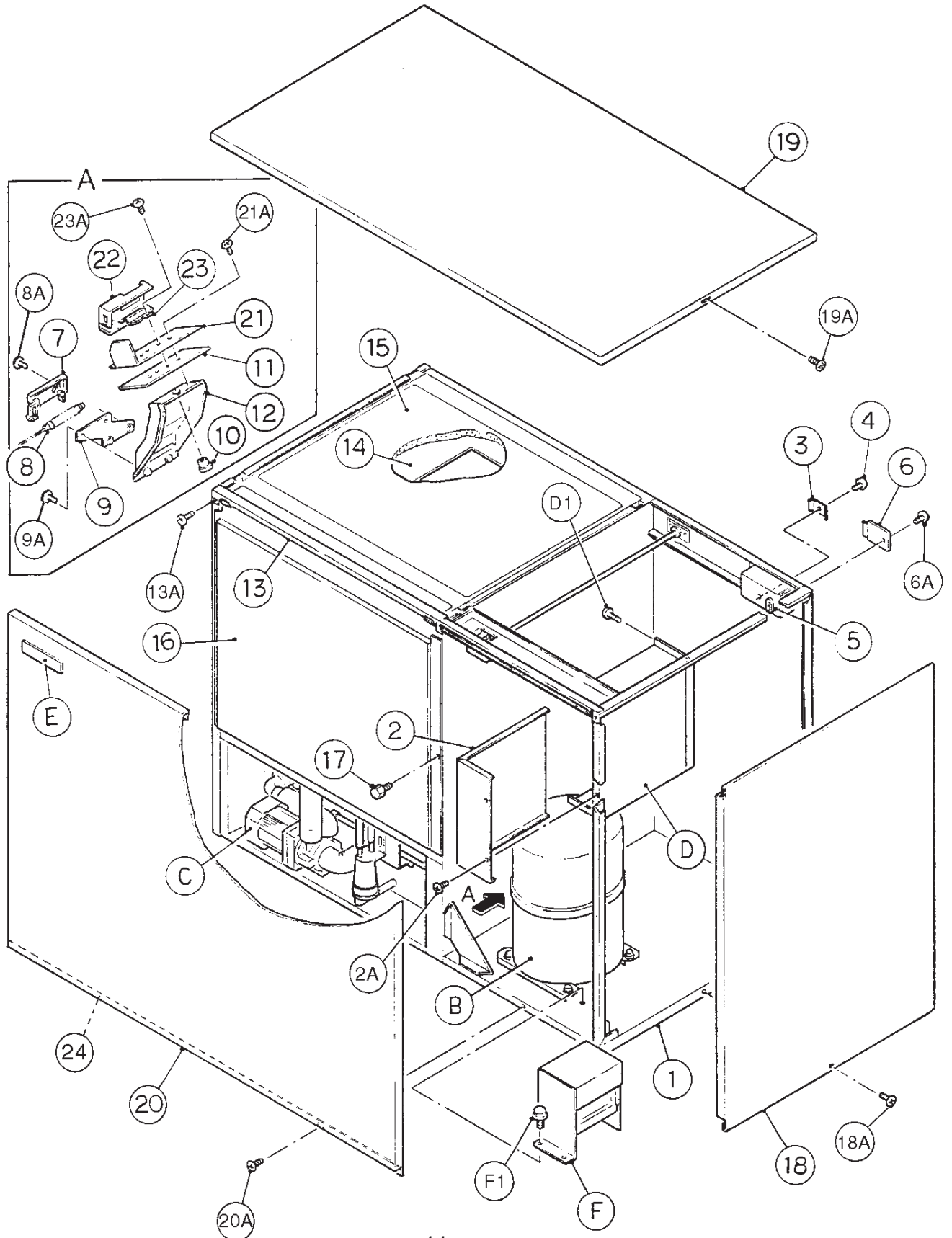


Title: A. Ice Cuber Assembly Model: KM-1800SAH3										
Index No.	Description	Material or Model Number	Part Number	Required Number						
				L-0	M-1 to Q-0					
B	REFRIGERATION CIRCUIT	-	1A0533A01	1	-					
			1A0533A03		1					
C	WATER CIRCUIT	-	105122A05	1	1					
D	CONTROL BOX ASSEMBLY	-	2A1122A03	1	-					
			2A2527-01		1					
D1	T2 SCREW	4x8	7P31-0408	3	3					
E	LABEL LOCATION	-	2A2003A01	1	-					
			2A2558A01		1					
F	TRANSFORMER BOX ASSEMBLY	-	3A1102A01	1	1					
F1	HEX HEAD BOLT W/WASHER (LF)	5x10	7B0130510	4	4					
1	EVAPORATOR CASE	-	2A1102G07	1	-					
			2A2100G02		1					
2	CONTROL BOX COVER	GS	3A0174-01	1	-					
			3A2386-01		1					
2A	T2 SCREW	4x8	7P31-0408	3	3					
3	SQUARE WASHER	BRASS	433537-02	1	1					
4	SCREW - GROUNDING	BRASS	433304-02	1	1					
5	BUSHING	SR-34-2	420472-05	1	1					
6	JUNCTION BOX COVER	GS	433410-01	1	1					
6A	T2 SCREW	4x8	7P31-0408	1	1					
7	BULB HOLDER	PE	328919-01	1	1					
8	SPACER	PE	443545-01	1	2					
8A	T2 SCREW	4x16, SS	7P32-0416	2	2					
9	BULB HOLDER (C)	ABS	325845G01	1	1					
9A	TRUSS HEAD SCREW	4x12, SS	7C32-0412	2	2					
10	BUSHING	EPDM	425307-01	1	1					
11	SPACER	ABS	439727-01	1	1					
12	BULB HOLDER (D)	ABS	215644G01	1	1					
13	FRONT PANEL - BRACKET	SS	323903-01	1	1					
13A	T2 SCREW	4x12, SS	7P32-0412	3	3					
14	SPACER	ABS	324321-01	1	1					
15	TOP INSULATION	ABS, PE	324216G01	1	1					
16	FRONT INSULATION	ABS, PE	326041G01	1	1					
17	THUMBSCREW	ABS, SS	415949G01	1	1					
18	SIDE PANEL (R)	SS	215381G02	1	1					
18A	TRUSS HEAD SCREW	4x8, SS	7C32-0408	3	3					
19	TOP PANEL	SS	2A2096-01	1	1					
19A	TRUSS HEAD SCREW	4x8, SS	7C32-0408	3	3					
20	FRONT PANEL	SS	3A1800G01	1	1					
20A	TRUSS HEAD SCREW	4x16, SS	7C32-0416	2	2					
21	BULB HOLDER (E)	GS	439725-01	1	1					
21A	TRUSS HEAD SCREW	4x12, SS	7C32-0412	2	2					
22	BULB HOLDER (F)	GS	328743-01	1	1					

Title: **A. Ice Cuber Assembly** Model: **KM-1800SAH3**

Index No.	Description	Material or Model Number	Part Number	Required Number									
				L-0	M-1 to Q-0								
23	BULB HOLDER (G)	GS	439726-01	1	1								
23A	TRUSS HEAD SCREW	4x6, SS	7C32-0406	2	2								
24	LOUVER (B)	PP	1A0548-01	4	4								
24A	PUSH RETAINER	-	4A2414-01	12	12								
25	AIR FILTER (B)	PP	2A2063G01	4	4								

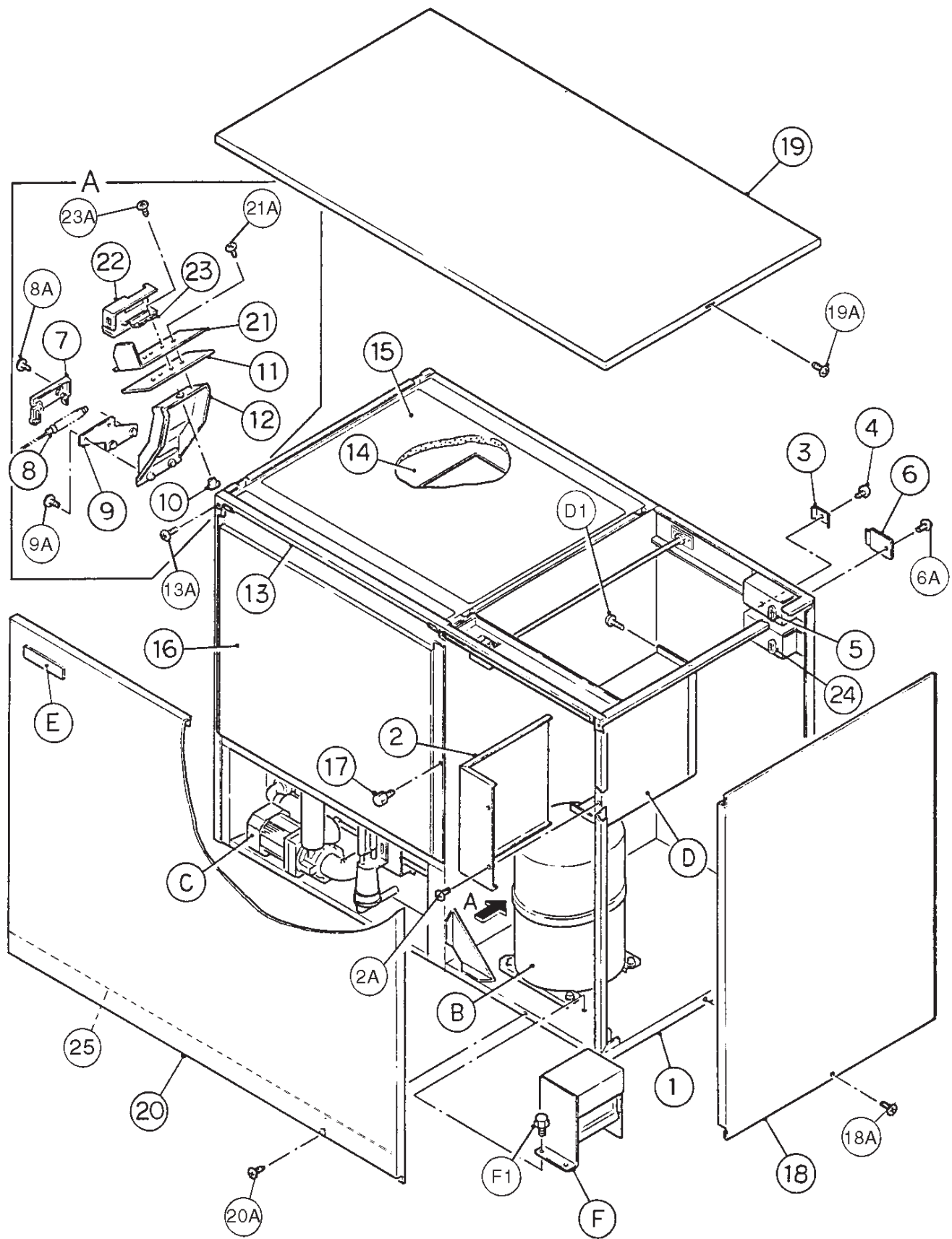
A. Ice Cuber Assembly
KM-1800SWH, KM-1800SWH3
 Q-0



Title: **A. Ice Cuber Assembly** Model: **KM-1800SWH, KM-1800SWH3**

Index No.	Description	Material or Model Number	Part Number	Required Number																
				Q-0																
B	REFRIGERATION CIRCUIT	KM-1800SWH	1A1069A01	1																
		KM-1800SWH3	1A1069A02	1																
C	WATER CIRCUIT	-	105122A05	1																
D	CONTROL BOX ASSEMBLY	-	2A2527A01	1																
D1	T2 SCREW	4x8	7P31-0408	3																
E	LABEL LOCATION	KM-1800SWH	2A3508A01	1																
		KM-1800SWH3	2A3509A01	1																
F	CAPACITOR BOX ASSEMBLY	KM-1800SWH	3A2054A02	1																
	TRANSFORMER BOX ASSEMBLY	KM-1800SWH3 HS-0126	3A1102A01	1																
F1	T2 SCREW	KM-1800SWH 4x8	7P31-0408	2																
	HEX HEAD BOLT W/WASHER (LF)	KM-1800SWH3 5x10	7B0130510	4																
1	EVAPORATOR CASE	-	2A2100G04	1																
2	CONTROL BOX COVER	GS	3A2386-01	1																
2A	T2 SCREW	4x8	7P31-0408	3																
3	SQUARE WASHER	BRASS	433537-02	1																
4	SCREW - GROUNDING	BRASS	433304-02	1																
5	BUSHING	SR-34-2	420472-05	1																
6	JUNCTION BOX COVER	GS	433410-01	1																
6A	T2 SCREW	4x8	7P31-0408	2																
7	BULB HOLDER	PE	328919-01	1																
8	SPACER	PE	443545-01	2																
8A	T2 SCREW	4x16, SS	7P32-0416	2																
9	BULB HOLDER (C)	ABS	325845G01	1																
9A	TRUSS HEAD SCREW	4x12, SS	7C32-0412	2																
10	BUSHING	EPDM	425307-01	1																
11	SPACER	ABS	439727-01	1																
12	BULB HOLDER (D)	ABS	215644G01	1																
13	FRONT PANEL - BRACKET	SS	323903-01	1																
13A	T2 SCREW	4x12, SS	7P32-0412	3																
14	SPACER	ABS	324321-01	1																
15	TOP INSULATION	ABS, PE	324216G01	1																
16	FRONT INSULATION	ABS, PE	326041G01	1																
17	THUMBSCREW	ABS, SS	415949G12	1																
18	SIDE PANEL (R)	SS	215381G02	1																
18A	TRUSS HEAD SCREW	4x8, SS	7C32-0408	3																
19	TOP PANEL	SS	2A2255-01	1																
19A	TRUSS HEAD SCREW	4x8, SS	7C32-0408	3																
20	FRONT PANEL	SS	3A1838G01	1																
20A	TRUSS HEAD SCREW	4x16, SS	7C32-0416	2																
21	BULB HOLDER (E)	GS	439725-01	1																
21A	TRUSS HEAD SCREW	4x12, SS	7C32-0412	2																
22	BULB HOLDER (F)	GS	328743-01	1																
23	BULB HOLDER (G)	GS	439726-01	1																
23A	TRUSS HEAD SCREW	4x6, SS	7C32-0406	2																
24	GASKET	L=1219	4A0808L02	1																

A. Ice Cuber Assembly
KM-1800SRH, KM-1800SRH3
 Q-0



Title: **A. Ice Cuber Assembly** Model: **KM-1800SRH, KM-1800SRH3**

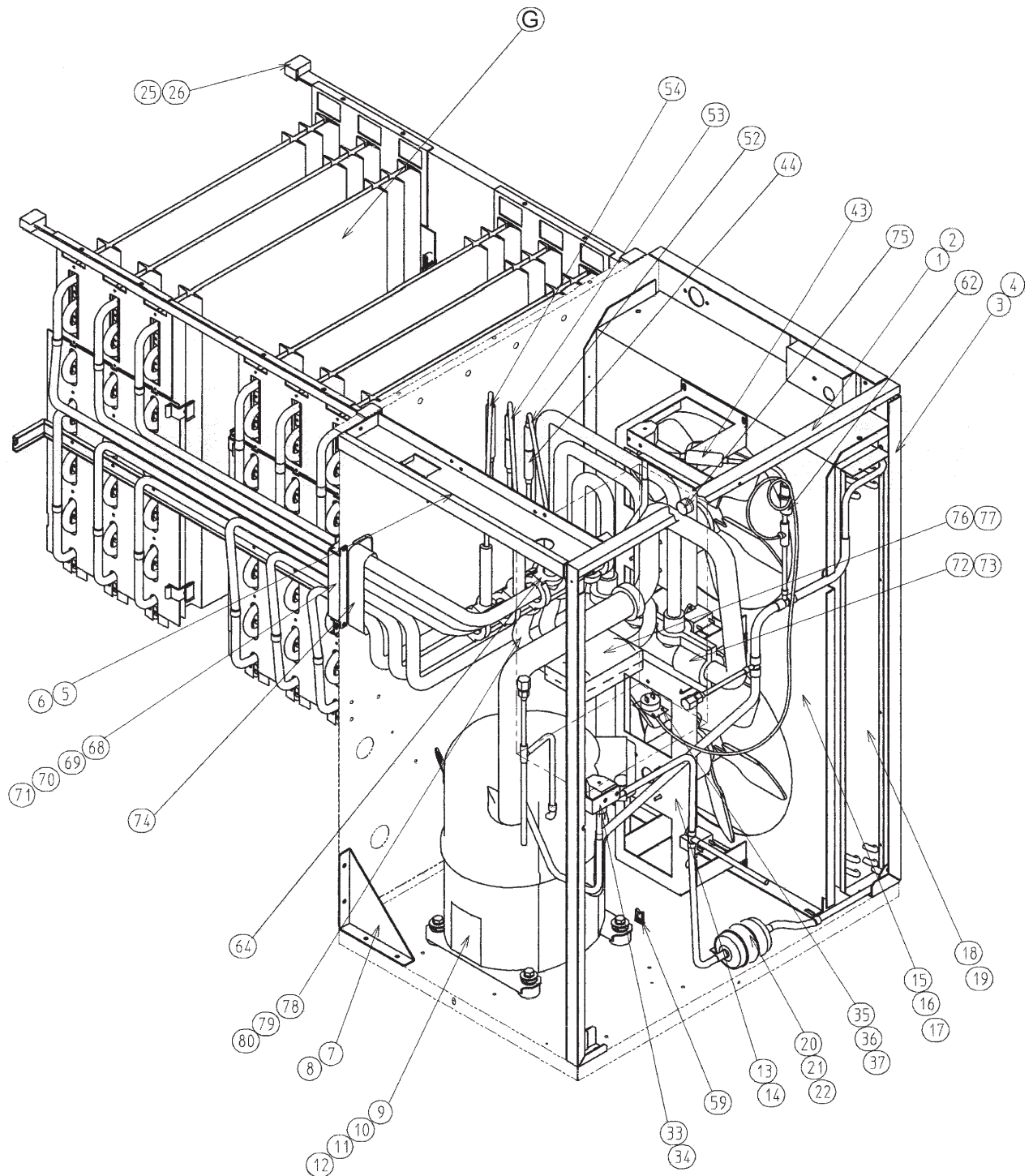
Index No.	Description	Material or Model Number	Part Number	Required Number																
				Q-0																
B	REFRIGERATION CIRCUIT	KM-1800SRH	1A1045A01	1																
		KM-1800SRH3	1A1045A02																	
C	WATER CIRCUIT	-	105122A05	1																
D	CONTROL BOX ASSEMBLY	-	2A2527A01	1																
D1	T2 SCREW	4x8	7P31-0408	3																
E	LABEL LOCATION	KM-1800SRH	2A3421A01	1																
		KM-1800SRH3	2A3400A01																	
F	CAPACITOR BOX ASSEMBLY	KM-1800SRH	3A2054A02	1																
	TRANSFORMER BOX ASSEMBLY	KM-1800SRH3 HS-0126	3A1102A01	1																
F1	T2 SCREW	KM-1800SRH 4x8	7P31-0408	2																
	HEX HEAD BOLT W/WASHER (LF)	KM-1800SRH3 5x10	7B0130510	4																
1	EVAPORATOR CASE	-	2A2100G02	1																
2	CONTROL BOX COVER	GS	3A2386-01	1																
2A	T2 SCREW	4x8	7P31-0408	3																
3	SQUARE WASHER	BRASS	433537-02	2																
4	SCREW - GROUNDING	BRASS	433304-02	2																
5	BUSHING	SR-34-2	420472-05	1																
6	JUNCTION BOX COVER	GS	433410-01	2																
6A	T2 SCREW	4x8	7P31-0408	2																
7	BULB HOLDER	PE	328919-01	1																
8	SPACER	PE	443545-01	2																
8A	T2 SCREW	4x16, SS	7P32-0416	2																
9	BULB HOLDER (C)	ABS	325845G01	1																
9A	TRUSS HEAD SCREW	4x12, SS	7C32-0412	2																
10	BUSHING	EPDM	425307-01	1																
11	SPACER	ABS	439727-01	1																
12	BULB HOLDER (D)	ABS	215644G01	1																
13	FRONT PANEL - BRACKET	SS	323903-01	1																
13A	T2 SCREW	4x12, SS	7P32-0412	3																
14	SPACER	ABS	324321-01	1																
15	TOP INSULATION	ABS, PE	324216G01	1																
16	FRONT INSULATION	ABS, PE	326041G01	1																
17	THUMBSCREW	ABS, SS	415949G12	1																
18	SIDE PANEL (R)	SS	215381G02	1																
18A	TRUSS HEAD SCREW	4x8, SS	7C32-0408	3																
19	TOP PANEL	SS	2A2255-01	1																
19A	TRUSS HEAD SCREW	4x8, SS	7C32-0408	3																
20	FRONT PANEL	SS	3A1838G01	1																
20A	TRUSS HEAD SCREW	4x16, SS	7C32-0416	2																
21	BULB HOLDER (E)	GS	439725-01	1																
21A	TRUSS HEAD SCREW	4x12, SS	7C32-0412	2																
22	BULB HOLDER (F)	GS	328743-01	1																
23	BULB HOLDER (G)	GS	439726-01	1																
23A	TRUSS HEAD SCREW	4x6, SS	7C32-0406	2																
24	BUSHING	SR-30-1	420472-03	1																
25	GASKET	L=1219	4A0808L02	1																

B. Refrigeration Circuit

1/2

KM-1800SAH, KM-1800SAH3

L-0, M-0, M-1, N-0, N-1, P-0, P-1, Q-0

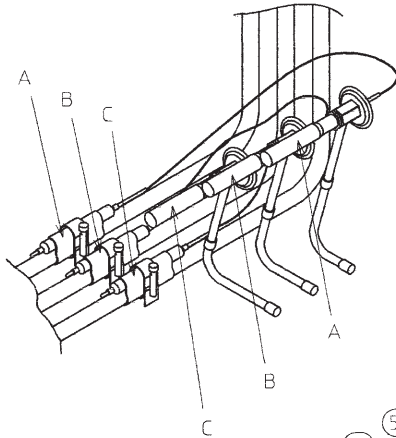


B. Refrigeration Circuit

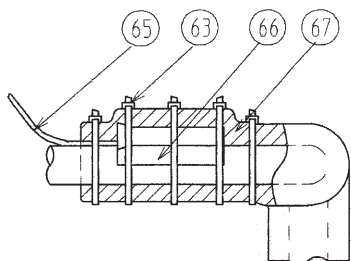
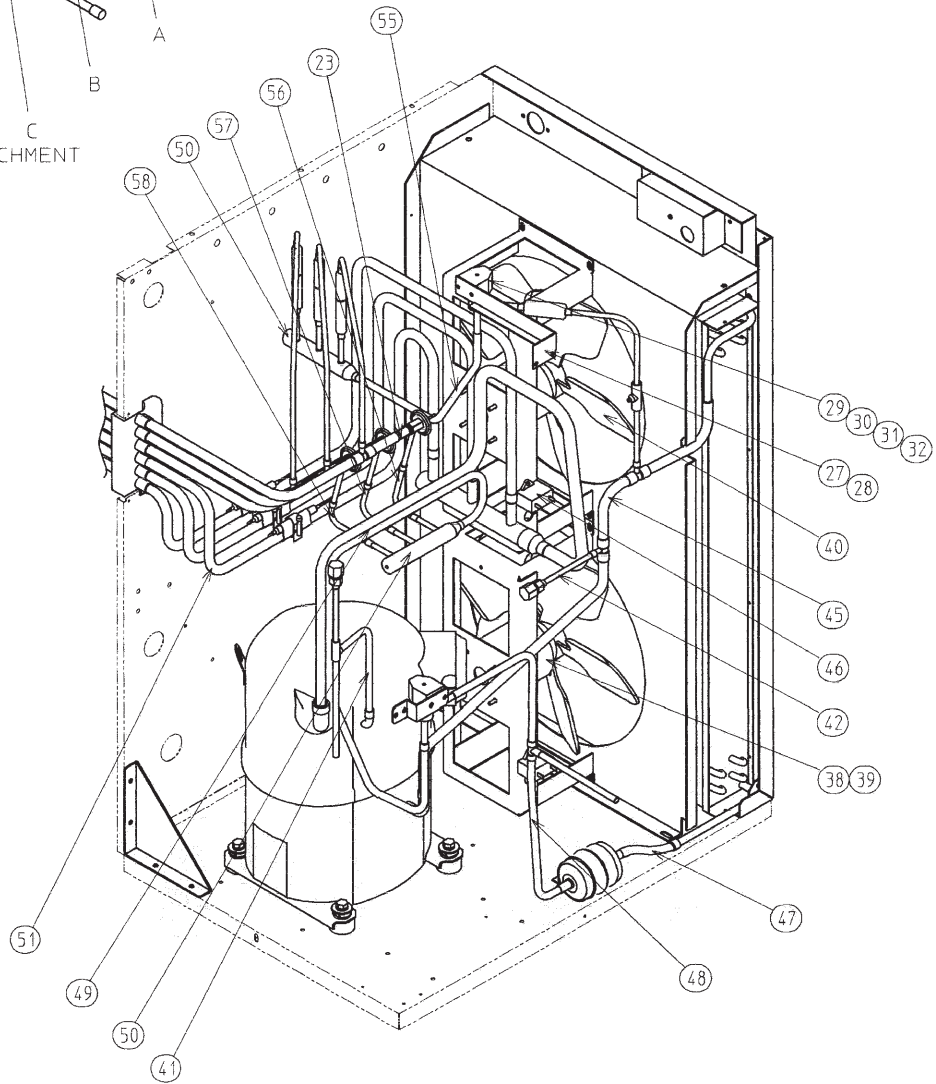
2/2

KM-1800SAH, KM-1800SAH3

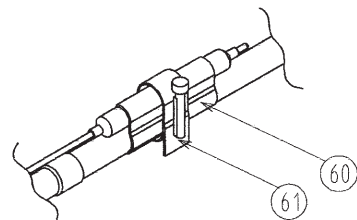
L-0, M-0, M-1, N-0, N-1, P-0, P-1, Q-0



DETAIL BULB ATTACHMENT



DETAILED THERMISTOR ATTACHMENT



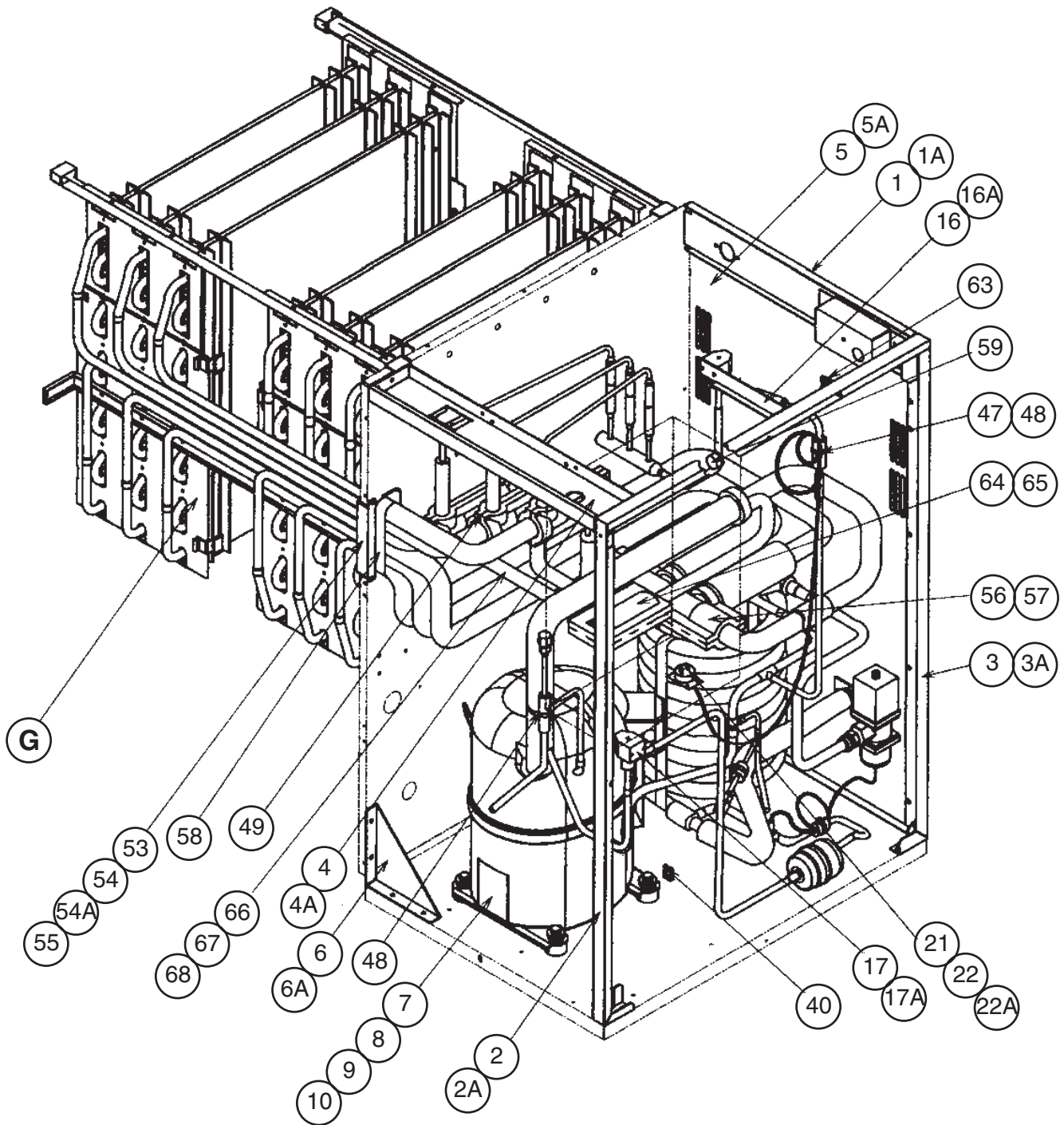
DETAILED EXPANSION VALVE
BULB HOLDER

Title: B. Refrigeration Circuit Model: KM-1800SAH, KM-1800SAH3										
Index No.	Description	Material or Model Number	Part Number	Required Number						
				L-0 M-0	M-1 to P-0	P-1 Q-0				
G	EVAPORATOR	-	105103A01	1	1	1				
1	SIDE FRAME (A)	GS	215375G01	1	1	1				
2	T2 SCREW	4x8	7P31-0408	3	3	3				
3	SIDE FRAME (B)	GS	215376G01	1	1	1				
4	T2 SCREW	4x8	7P31-0408	4	4	4				
5	FRONT FRAME	GS	325857-01	1	1	1				
6	T2 SCREW	4x8	7P31-0408	4	4	4				
7	BRACE	GS	325858-01	1	1	1				
8	T2 SCREW	4x8	7P31-0408	4	4	4				
9	COMPRESSOR	KM-1800SAH CS18K6E- PFV-237	4A2334-01	1	1	1				
		KM-1800SAH3 CS18K6E- TF5-237	4A2330-01	1	1	1				
10	BOLT	8x45	437889-01	4	4	4				
11	GROMMET	027-0167-00	434922-01	4	4	4				
12	SPACER	028-0188-02	434921-01	4	4	4				
13	FAN MOTOR BRACKET	GS	2A1979-01	2	2	2				
14	HEX HEAD BOLT W/WASHER (LF)	5x10	7N2100832	8	8	8				
15	SHROUD	GS	2A2021G01	1	1	1				
16	T2 SCREW	4x8	7P31-0408	2	2	2				
17	HEX HEAD BOLT W/WASHER (LF)	5x10	7N2100832	2	2	2				
18	CONDENSER	-	2A1991-01	1	1	1				
19	T2 SCREW	4x8	7P31-0408	2	2	2				
20	DRIER	CW-053-S	4A1461-01	1	-					
		-	4A2663-01		1	1				
21	DRIER BRACKET	GS	445251-01	1	-					
	NYLON TIE	-	8911-0301		1	1				
22	T2 SCREW	4x8	7P31-0408	1	-					
23	EXPANSION VALVE	HFE-10NHD-2	4A1414-01	3	3	3				
24	-	-	-							
25	FRAME SEAL	EPDM	323925-01	4	4	4				
26	T2 SCREW	4x12, SS	7P32-0412	6	6	6				
27	HOT GAS VALVE BRACKET	GS	442162-01	1	1	1				
28	T2 SCREW	4x8	7P31-0408	2	2	2				
29	VALVE BODY	70	440352-01	2	2	2				
30	COIL - VALVE	ABS-25-1- HD-2	440353-01	2	2	2				
31	BOLT	4x6	440353F01	2	2	2				
32	TRUSS HEAD SCREW	4x8	7C31-0408	4	4	4				
33	LINE VALVE BRACKET	GS	4A1406-01	1	1	1				
34	T2 SCREW	4x8	7P31-0408	2	2	2				
35	PRESSURE SWITCH	ACB-1UB09	433441-07	1	1	1				

Title: B. Refrigeration Circuit Model: KM-1800SAH, KM-1800SAH3												
Index No.	Description	Material or Model Number	Part Number	Required Number								
				L-0 M-0	M-1 to P-0	P-1 Q-0						
36	PRESSURE SWITCH BRCKT.	GS	434938-01	1	1	1						
37	T2 SCREW	4x8	7P31-0408	1	1	1						
38	FAN MOTOR	U90B1 7190-1031	440911-01	2	2	-						
		5KCP84DFK148S	4A3158-01			2						
39	SELF-LOCKING NUT	NO. 8-32	7N21I0832	8	8	8						
40	FAN BLADE	-	4A0197-01	2	2	2						
41	COPPER TUBE - ACCESS VALVE	COPPER	4A1497G01	1	1	1						
42	ACCESS VALVE	-	457729-01	2	2	2						
43	STRAINER	-	441569-02	1	1	1						
44	CHECK VALVE	SKC 30564	4A1373-01	3	3	3						
45	COPPER TUBE (A) - HIGH SIDE	COPPER	2A1998G01	1	1	1						
46	CAPACITOR	5MFD-250VAC	443192-02	2	2	2						
47	COPPER TUBE (E) - HIGH SIDE	COPPER	4A2322-01	1	-							
			3A2334G01		1	1						
48	COPPER TUBE (F) - HIGH SIDE	COPPER	3A1798G01	1	1	1						
49	HEAT EXCHANGER	-	1A0535G01	1	1	1						
50	HEADER - S	750489	441038-01	2	2	2						
51	COPPER TUBE - LOW SIDE	COPPER	1A0534G01	1	1	1						
52	COPPER TUBE (A) – LOW SIDE	COPPER	2A1986G01	1	1	1						
53	COPPER TUBE (B) – LOW SIDE	COPPER	2A1987G01	1	1	1						
54	COPPER TUBE (C) – LOW SIDE	COPPER	2A1988G01	1	1	1						
55	COPPER TUBE – HOT GAS	COPPER	4A2309-01	1	1	1						
56	COPPER TUBE (A) - EXP. VALVE	COPPER	4A2312-01	1	1	1						
57	COPPER TUBE (B) - EXP. VALVE	COPPER	4A2313-01	1	1	1						
58	COPPER TUBE (C) - EXP. VALVE	COPPER	4A2314-01	1	1	1						
59	WIRE SADDLE	-	4A0338-02	3	3	3						
60	HOLDER/EXPANSION VALVE	8-Mar	3A0107-01	3	3	3						
61	CLAMP	-	443461-01	3	3	3						
62	INSULATION TUBE	L=40	7762-1020	1	1	1						
63	CABLE TIE	CV-200	7920-0010	11	11	11						
64	EXPANSION VALVE COVER	-	3A0944-01	3	3	3						
65	THERMISTOR	-	429006-03	1	1	1						
66	HOLDER – THERMISTOR	-	438247-01	1	1	1						
67	INSULATION – THERMISTOR	-	427441-01	1	1	1						
68	RUBBER INSULATION (A)	-	325864-01	1	1	1						
69	RUBBER INSULATION (B)	-	325865-01	1	1	1						
70	INSULATION HOLDER	-	325863-01	1	1	1						

Title: B. Refrigeration Circuit Model: KM-1800SAH, KM-1800SAH3											
Index No.	Description	Material or Model Number	Part Number	Required Number							
				L-0 M-0	M-1 to P-0	P-1 Q-0					
71	T2 SCREW	4x8, SS	7P32-0408	4	4	4					
72	HEAD COVER (B1)	-	325862-01	1	1	1					
73	HEAD COVER (B2)	-	325862-02	1	1	1					
74	INSULATION	-	436671-02	1	1	1					
75	BUSHING	OCB-500	428394-02	1	1	1					
76	HEADER COVER (A1)	-	325861-01	1	1	1					
77	HEADER COVER (A2)	-	325861-02	1	1	1					
78	INSULATION TUBE	L=125	7762-1020	1	1	1					
79	INSULATION TUBE	L=125	7762-1020	1	1	1					
80	INSULATION TUBE	L=125	7762-1020	1	1	1					

B. Refrigeration Circuit
1/2
KM-1800SWH, KM-1800SWH3
 Q-0

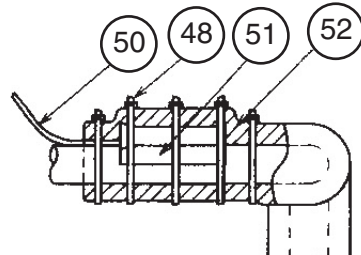
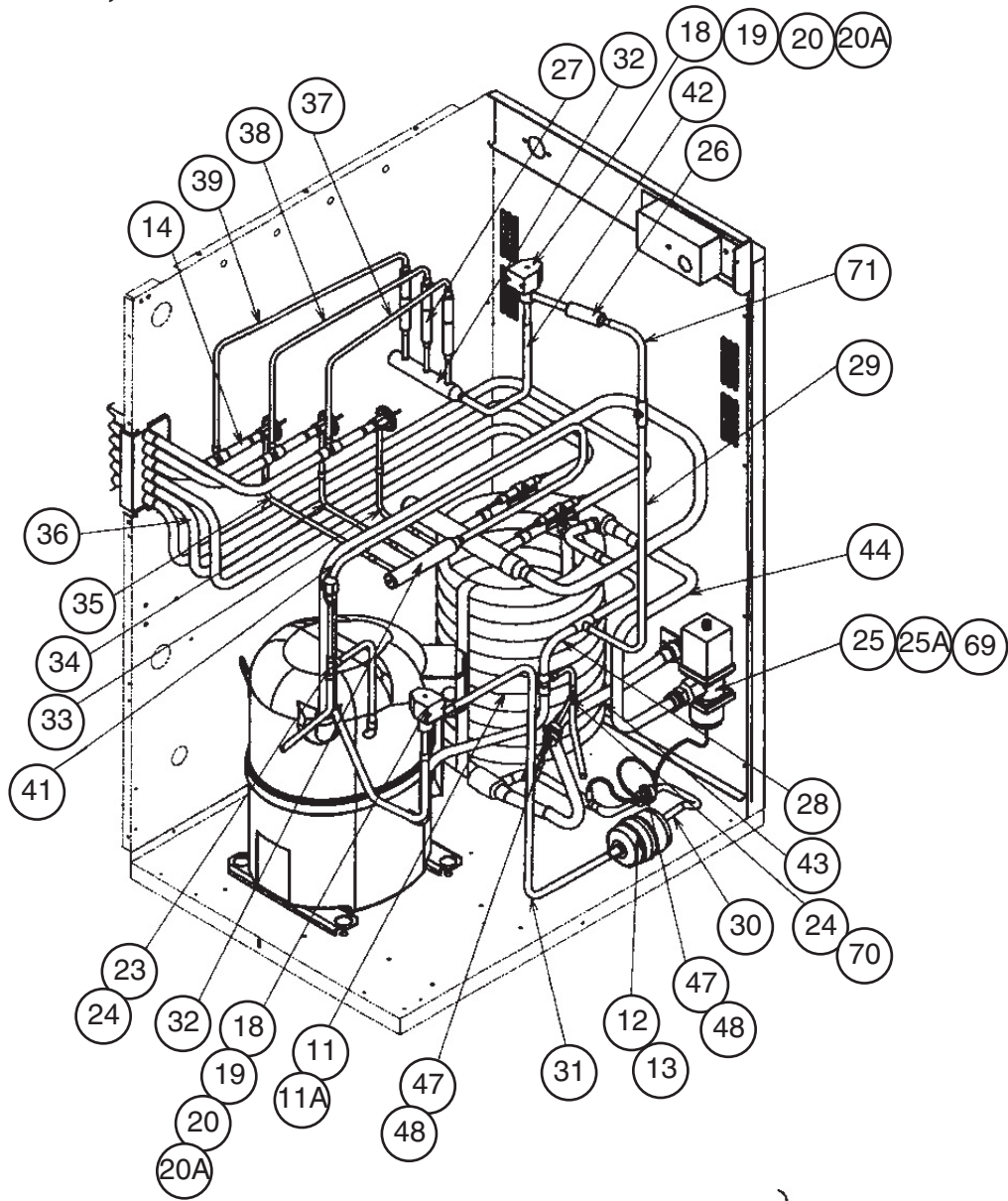


B. Refrigeration Circuit

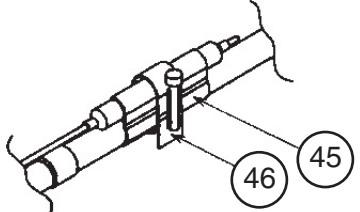
2/2

KM-1800SWH, KM-1800SWH3

Q-0



DETAILED THERMISTOR ATTACHMENT



DETAILED EXPANSION VALVE BULB HOLDER

Title: **B. Refrigeration Circuit** Model: **KM-1800SWH, KM-1800SWH3**

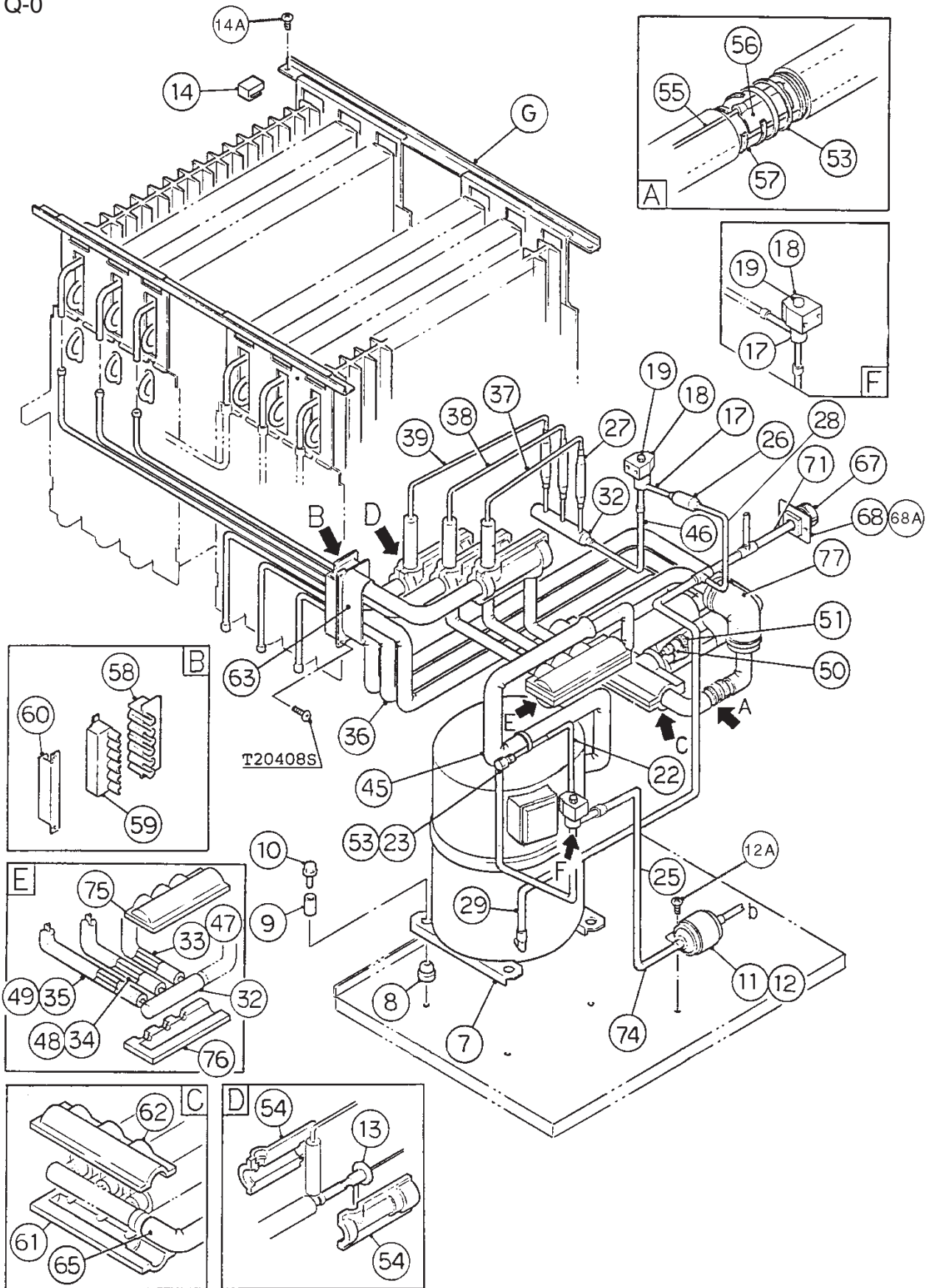
Index No.	Description	Material or Model Number	Part Number	Required Number																
				Q-0																
G	EVAPORATOR	-	105103A01	1																
1	REAR FRAME	GS	439285G04	1																
1A	T2 SCREW	4x8	7P31-0408	2																
2	SIDE FRAME (A)	GS	215375G01	1																
2A	T2 SCREW	4x8	7P31-0408	3																
3	SIDE FRAME (B)	GS	215376G01	1																
3A	T2 SCREW	4x8	7P31-0408	4																
4	FRONT FRAME	GS	325857-01	1																
4A	T2 SCREW	4x8	7P31-0408	4																
5	REAR PANEL	GS	2A1112-01	1																
5A	T2 SCREW	4x8	7P31-0408	10																
6	BRACE	GS	325858-01	1																
6A	T2 SCREW	4x8	7P31-0408	4																
7	COMPRESSOR	KM-1800SWH CS18-K6E-PFV-237	4A2334-01	1																
		KM-1800SWH3 CS18-K6E-TF5-237	4A2330-01	1																
8	GROMMET	027-0167-00	434922-01	4																
9	SPACER	028-0188-02	434921-01	4																
10	BOLT	8x45	437889-01	4																
11	CONDENSER - WATER-COOLED	-	2A2359G05	1																
11A	HEX HEAD BOLT W/WASHER (LF)	5x12	7B0130512	2																
12	DRIER	-	4A2663-01	1																
13	NYLON TIE	-	8911-0301	1																
14	EXP. VALVE	HFE-10NHD-2	4A1414-01	3																
15	FRAME SEAL	EPDM	323925-01	4																
15A	T2 SCREW	4x12, SS	7P32-0412	6																
16	HOT GAS VALVE BRACKET	GS	442162-01	1																
16A	T2 SCREW	4x8	7P31-0408	2																
17	LINE VALVE BRACKET	GS	4A1406-01	1																
17A	T2 SCREW	4x8	7P31-0408	2																
18	VALVE BODY	70	440352-01	2																
19	COIL - VALVE	ABS-25-1-HD-2	440353-01	2																
20	BOLT	4x6	440353F01	2																
20A	TRUSS HEAD SCREW	4x8	7C31-0408	4																
21	PRESSURE SWITCH	ACB-2UB04	433441-05	1																
22	PRESSURE SWITCH BRACKET	GS	434938-01	1																
22A	T2 SCREW	4x8	7P31-0408	1																
23	COPPER TUBE - ACCESS VALVE	COPPER	4A1497G01	1																
24	ACCESS VALVE	-	457729-01	2																
25	WATER REGULATOR	V46EB-20D	4A1417-01	1																
25A	TRUSS HEAD SCREW	4x6	7C31-0406	2																
26	STRAINER	-	441569-02	1																
27	CHECK VALVE	SKC 30564	4A1373-01	3																

Title: B. Refrigeration Circuit Model: KM-1800SWH, KM-1800SWH3												
Index No.	Description	Material or Model Number	Part Number	Required Number								
				Q-0								
28	COPPER TUBE (A) - HIGH SIDE	COPPER	2A2481G01	1								
29	COPPER TUBE (B) - HIGH SIDE	COPPER	3A2344-01	1								
30	COPPER TUBE (C) - HIGH SIDE	COPPER	4A2763G01	1								
31	COPPER TUBE (F) - HIGH SIDE	COPPER	3A2343-01	1								
32	HEADER - S	750489	441038-01	2								
33	COPPER TUBE (A) - EXP. VALVE	COPPER	4A1464-01	1								
34	COPPER TUBE (B) - EXP. VALVE	COPPER	4A1465-01	1								
35	COPPER TUBE (C) - EXP. VALVE	COPPER	4A1466-01	1								
36	COPPER TUBE - LOW SIDE	COPPER	106803G01	1								
37	COPPER TUBE (A) - LOW SIDE	COPPER	2A1108-01	1								
38	COPPER TUBE (B) - LOW SIDE	COPPER	2A1109-01	1								
39	COPPER TUBE (C) - LOW SIDE	COPPER	2A1110G01	1								
40	WIRE SADDLE	-	4A0448-02	3								
41	HEAT EXCHANGER	COPPER	1A0235G01	1								
42	COPPER TUBE - HOT GAS	COPPER	4A1463-01	1								
43	COPPER TUBE (A)	COPPER	3A2315G01	1								
44	COPPER TUBE (B)	COPPER	4A2762G01	1								
45	HOLDER / EXP. VALVE - 3/8	SS	3A0107-01	3								
46	CLAMP	SS	443461-01	3								
47	INSULATION TUBE	L=40	7762-1020	3								
48	CABLE TIE	CV-200	7920-0010	14								
49	EXP. VALVE COVER	PE FOAM	3A0944-01	3								
50	THERMISTOR	-	429006-03	1								
51	HOLDER - THERMISTOR	COPPER	438247-01	1								
52	INSULATION - THERMISTOR	PE FOAM	427441-01	1								
53	RUBBER INSULATION (A)	EPDM	325864-01	1								
54	RUBBER INSULATION (B)	EPDM	325865-01	1								
54A	T2 SCREW	4x8, SS	7P32-0408	2								
55	INSULATION HOLDER	SS	325863-01	1								
56	HEADER COVER (B1)	PE FOAM	325862-01	1								
57	HEADER COVER (B2)	PE FOAM	325862-02	1								
58	INSULATION	PE FOAM	436671-02	1								
59	BUSHING	OCB-500	428394-02	1								
60	-	-	-	-								
61	-	-	-	-								
62	-	-	-	-								
63	CLAMP	-	4A2338-01	1								
64	HEADER COVER (A1)	-	325861-01	1								

Title: **B. Refrigeration Circuit** Model: **KM-1800SWH, KM-1800SWH3**

Index No.	Description	Material or Model Number	Part Number	Required Number											
				Q-0											
65	HEADER COVER (A2)	-	325861-02	1											
66	INSULATION TUBE	L=239	7762-1020	1											
67	INSULATION TUBE	L=284	7762-1020	1											
68	INSULATION TUBE	L=328	7762-1020	1											
69	MALE CONNECTOR	-	445180-01	1											
70	COPPER TUBE (J) – HIGH SIDE	COPPER	3A1105G01	1											
71	COPPER TUBE (M) – HIGH SIDE	-	4A2898G01	1											

B. Refrigeration Circuit
1/2
KM-1800SRH, KM-1800SRH3
 Q-0

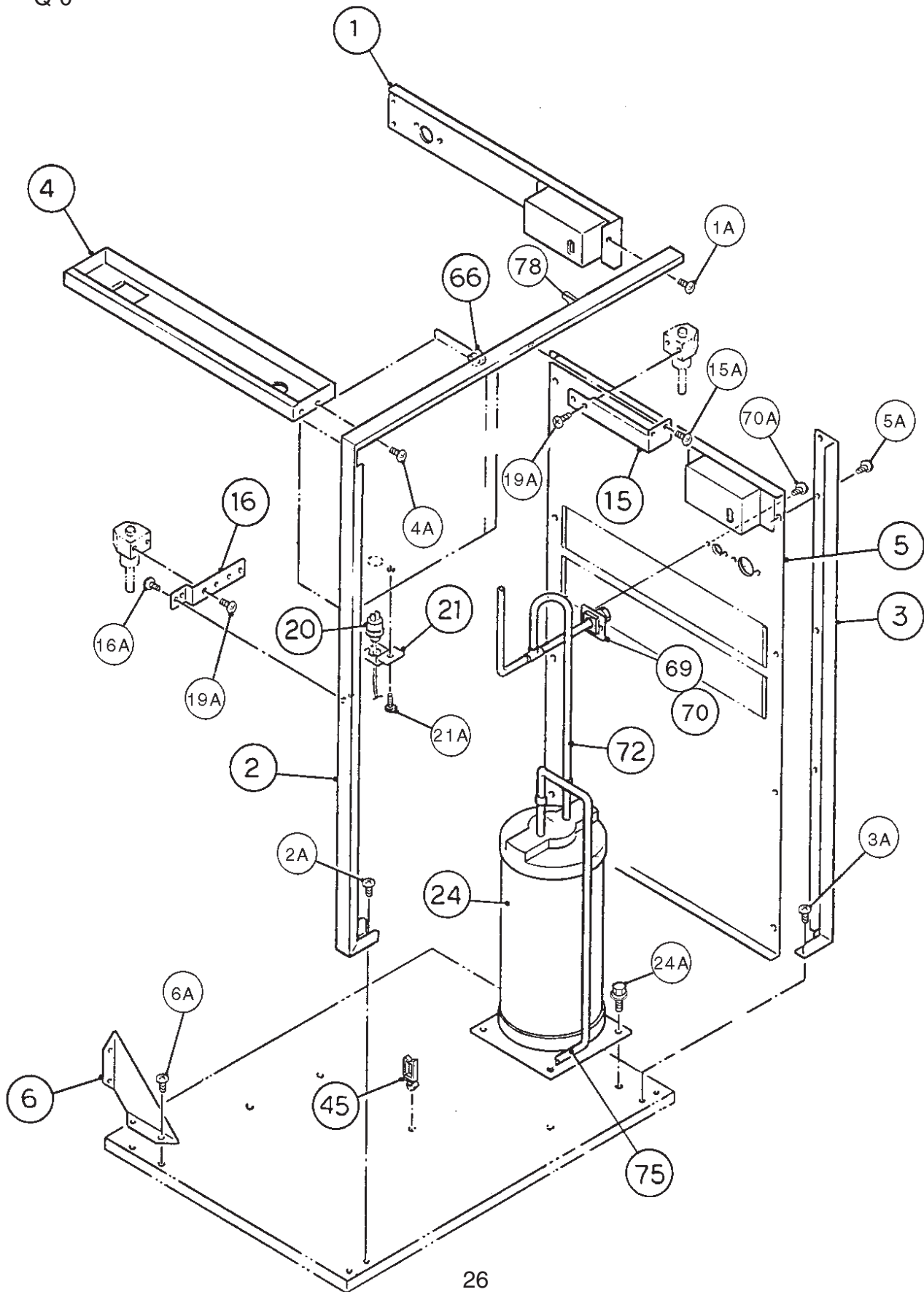


B. Refrigeration Circuit

2/2

KM-1800SRH, KM-1800SRH3

Q-0



Title: **B. Refrigeration Circuit** Model: **KM-1800SRH, KM-1800SRH3**

Index No.	Description	Material or Model Number	Part Number	Required Number																
				Q-0																
G	EVAPORATOR	-	105103A01	1																
1	REAR FRAME	GS	439285G04	1																
1A	T2 SCREW	4x8	7P31-0408	2																
2	SIDE FRAME (A)	GS	215375G01	1																
2A	T2 SCREW	4x8	7P31-0408	3																
3	SIDE FRAME (B)	GS	215376G01	1																
3A	T2 SCREW	4x8	7P31-0408	4																
4	FRONT FRAME	GS	325857-01	1																
4A	T2 SCREW	4x8	7P31-0408	4																
5	REAR PANEL	GS	215378G01	1																
5A	T2 SCREW	4x8	7P31-0408	10																
6	BRACE	GS	325858-01	1																
7	COMPRESSOR	KM-1800SRH CS18-K6E-PVF-279	4A2334-02	1																
		KM-1800SRH3 CS18-K6E-TFS-279	4A2330-02	1																
8	GROMMET	027-0167-00	434922-01	4																
9	SPACER	028-0188-02	434921-01	4																
10	BOLT	8x45	437889-01	4																
11	DRIER	C-053-S	4A2663-01	1																
12	NYLON TIE	-	8911-0301	1																
13	EXPANSION VALVE	HFE-10NHD-1	4A1414-01	3																
14	FRAME SEAL	EPDM	323925-01	4																
14A	TRUSS HEAD SCREW	4x12, SS	7C32-0412	6																
15	HOT GAS VALVE BRACKET	GS	442162-01	1																
15A	T2 SCREW	4x8	7P31-0408	2																
16	LINE VALVE BRACKET	GS	4A1406-01	1																
16A	T2 SCREW	4x8	7P31-0408	2																
17	VALVE BODY	70	440352-01	2																
18	COIL - VALVE	ABS-25-1-HD-2	440353-01	2																
19	BOLT	4x6	440353F01	2																
19A	TRUSS HEAD SCREW	4x8	7C310408	4																
20	PRESSURE SWITCH	ACB-1UB09	433441-07	1																
21	PRESSURE SWITCH BRACKET	GS	434938-01	1																
21A	T2 SCREW	4x8	7P31-0408	1																
22	COPPER TUBE - ACCESS VALVE	COPPER	4A1497G01	1																
23	ACCESS VALVE	-	457729-01	1																
24	RECEIVER	RR MN WP450	438209-01	1																
24A	HEX HEAD BOLT W/WASHER (LF)	5x10	7B0130510	3																
25	COPPER TUBE - CAPILLARY	COPPER	445174G01	1																
26	STRAINER	-	441569-02	1																
27	CHECK VALVE	YCV5-2	425342-01	1																
28	COPPER TUBE (A) - HIGH SIDE	COPPER	2A0527G02	1																

Title: **B. Refrigeration Circuit** Model: **KM-1800SRH, KM-1800SRH3**

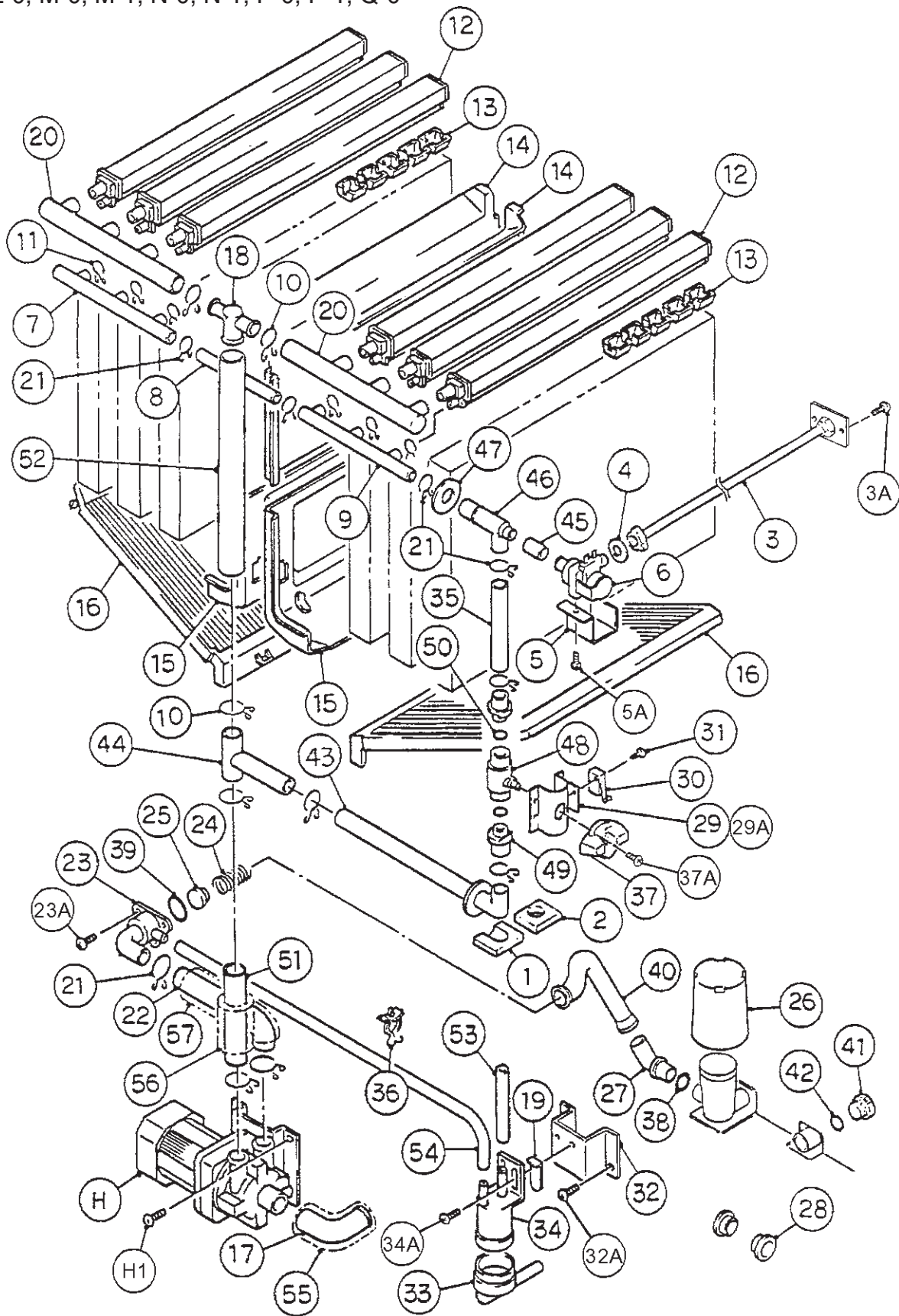
Index No.	Description	Material or Model Number	Part Number	Required Number																
				Q-0																
29	VALVE BODY	24	440351-01	1																
30	COIL - VALVE	ADS-24HD-3	440354-01	1																
31	BOLT	4x6	440354F01	1																
32	HEADER - S	750489	441038-01	2																
33	COPPER TUBE (A) - EXP. VALVE	COPPER	446515-01	1																
34	COPPER TUBE (B) - EXP. VALVE	COPPER	446516-01	1																
35	COPPER TUBE (C) - EXP. VALVE	COPPER	446517-01	1																
36	COPPER TUBE - LOW SIDE	COPPER	106803G01	1																
37	COPPER TUBE (A) - LOW SIDE	COPPER	326312G01	1																
38	COPPER TUBE (B) - LOW SIDE	COPPER	326313G01	1																
39	COPPER TUBE (C) - LOW SIDE	COPPER	326314G01	1																
40	INSULATION - COMPRESSOR TOP	VNN 2C1 (SOFT)	447118-01	1																
41	INSULATION - COMPRESSOR RIGHT	VNN 2C1 (SOFT)	447119-01	1																
42	INSULATION - COMPRESSOR CENTER	VNN 2C1 (SOFT)	447120-01	1																
43	INSULATION - COMPRESSOR LEFT	VNN 2C1 (SOFT)	447121-01	1																
44	WIRE SADDLE	VWS4238-C	4A0338-02	3																
45	HEAT EXCHANGER	COPPER	106804G01	1																
46	COPPER TUBE - HOT GAS	COPPER	4A0804-01	1																
47	INSULATION TUBE	L=219	7762-1020	1																
48	INSULATION TUBE	L=264	7762-1020	1																
49	INSULATION TUBE	L=308	7762-1020	1																
50	HOLDER / EXP. VALVE - 3/8	SS	3A0107-01	3																
51	CLAMP	SS	443461-01	3																
52	INSULATION TUBE	L=40	7762-1020	3																
53	CABLE TIE	CV-200	7920-0010	11																
54	EXP. VALVE COVER	PE FOAM	3A0944-01	3																
55	THERMISTOR	-	429006-03	1																
56	HOLDER - THERMISTOR	COPPER	438247-01	1																
57	INSULATION - THERMISTOR	PE FOAM	427441-01	1																
58	RUBBER INSULATION (A)	EPDM	325864-01	1																
59	RUBBER INSULATION (B)	EPDM	325865-01	1																
60	INSULATION HOLDER	SS	325863-01	1																
60A	T2 SCREW	4x8, SS	7P32-0408	2																
61	HEADER COVER (B1)	PE FOAM	325862-01	1																
62	HEADER COVER (B2)	PE FOAM	325862-02	1																
63	INSULATION	PE FOAM	436671-02	1																
64	BUSHING	OCB-500	428394-02	1																
65	INSULATION TUBE	L=105	7762-1630	1																

Title: B. Refrigeration Circuit Model: KM-1800SRH, KM-1800SRH3											
Index No.	Description	Material or Model Number	Part Number	Required Number							
				Q-0							
66	TERMINAL GASKET	-	334084-01	1							
67	COUPLING	COPPER	434136G01	1							
68	TUBE HOLDER (L)	GS	438245-01	1							
68A	T2 SCREW	4x8	7P31-0408	2							
69	COUPLING	COPPER	433751G01	1							
70	TUBE HOLDER (S)	GS	438246-01	1							
70A	T2 SCREW	4x8	7P31-0408	2							
71	COPPER TUBE (B) - HIGH SIDE	COPPER	445178G01	1							
72	COPPER TUBE (D) - HIGH SIDE	COPPER	331009G01	1							
73	COPPER TUBE (E) - HIGH SIDE	COPPER	3A0992-01	1							
74	COPPER TUBE (F) - HIGH SIDE	COPPER	3A2336-01	1							
75	HEADER COVER (A1)	PE FOAM	325861-01	1							
76	HEADER COVER (A2)	PE FOAM	325861-02	1							
77	INSULATION TUBE	L=150	7762-3555	1							
78	CLAMP	-	4A2338-01	1							

C. Water Circuit

KM-1800SAH, KM-1800SAH3, KM-1800SWH, KM-1800SWH3, KM-1800SRH, KM-1800SRH3

L-0, M-0, M-1, N-0, N-1, P-0, P-1, Q-0



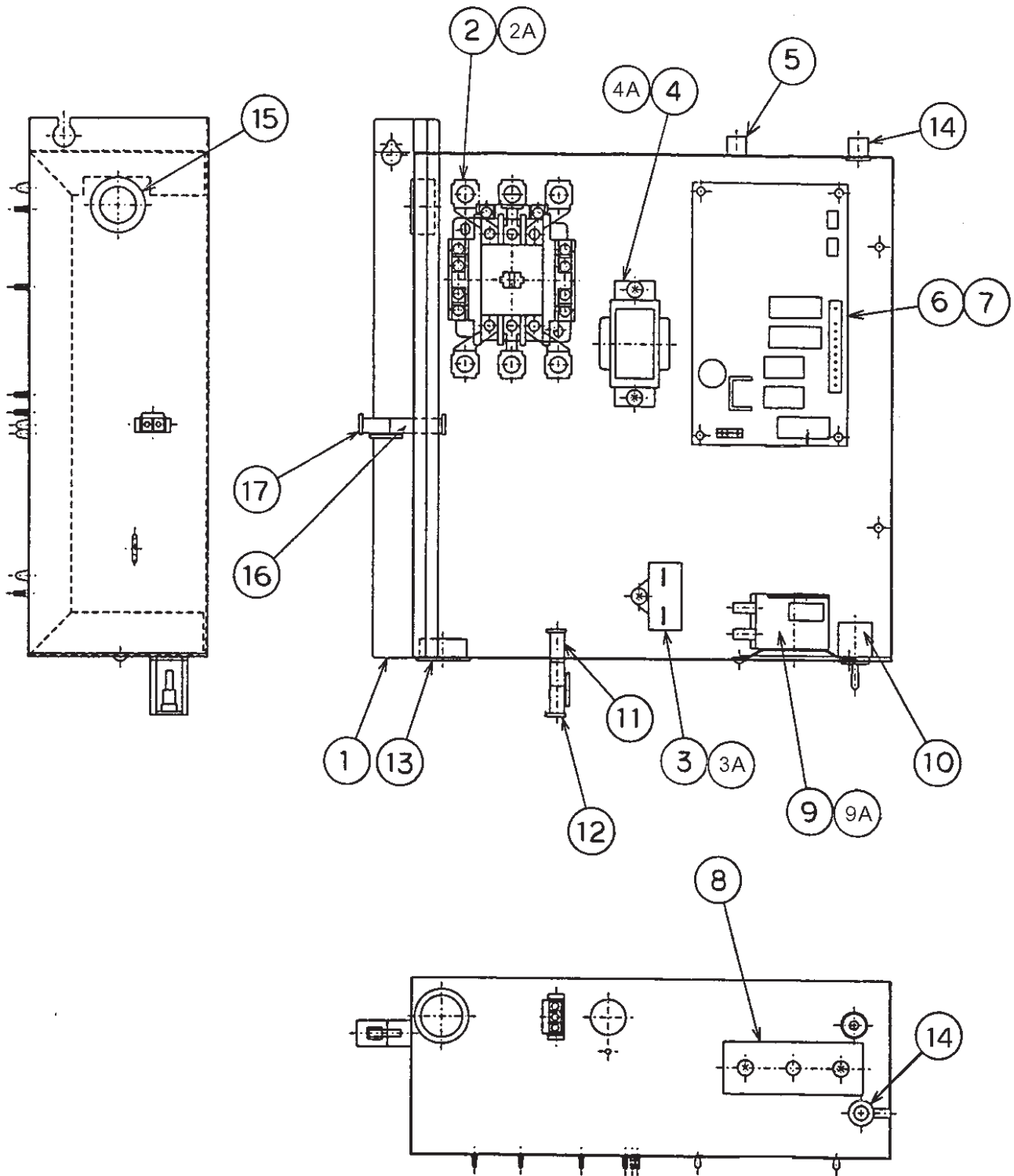
Title: **C. Water Circuit** Model: **KM-1800SAH, KM-1800SAH3, KM-1800SWH, KM-1800SWH3, KM-1800SRH, KM-1800SRH3**

Index No.	Description	Material or Model Number	Part Number	Required Number																	
				L-0	M-0 to Q-0																
H	PUMP MOTOR ASSEMBLY	(S-0730)	215692A01	1	1																
H1	TRUSS HEAD SCREW	5x8, SS	7C32-0508	2	2																
1	CORNER INSULATION (A)	PE FOAM	439376-01	1	1																
2	CORNER INSULATION (B)	PE FOAM	439392-01	1	1																
3	WATER SUPPLY PIPE	COPPER	4A0768G03	1	1																
3A	T2 SCREW	4x8	7P31-0408	2	2																
4	RUBBER GASKET	SI.R	413854-03	1	1																
5	WATER VALVE BRACKET	GS	321443-01	1	1																
5A	T2 SCREW	4x8	7P31-0408	2	2																
6	WATER VALVE	J248-106	3U0136-01	1	1																
7	DISTRIBUTOR HOSE (A)	EPDM	325738-02	1	1																
8	JOINT PIPE	ABS	439297-01	1	1																
9	DISTRIBUTOR HOSE (B)	EPDM	439239-01	1	1																
10	HOSE CLAMP	SS, 32MM	427443-09	7	7																
11	HOSE CLAMP	SS, 13.5MM	427443-07	6	6																
12	SPRAY TUBE	ABS	437049G01	6	6																
13	SPRAY GUIDE (A)	PE	208586-01	18	18																
14	SEPARATOR (A)	ABS	215046-01	2	2																
15	SEPARATOR (B)	SS	2A0100-01	2	2																
16	CUBE GUIDE	ABS	214243-01	2	2																
17	HOSE (A)	EPDM	435091-01	1	1																
18	DISTRIBUTOR (A)	ABS	439266-01	1	1																
19	FLOAT SWITCH STOP	SS	4A0137-01	1	1																
20	DISTRIBUTOR HOSE (C)	EPDM	325739-01	2	2																
21	HOSE CLAMP	SS, 25MM	427443-03	9	9																
22	HOSE (B)	EPDM	325867-01	1	1																
23	VALVE HOUSING - DRAIN	ABS	323613-01	1	1																
23A	T2 SCREW	4x10, SS	7P32-0410	3	3																
24	SPRING	SS	322110-01	1	1																
25	VALVE SHEET	EPDM	433705-01	1	1																
26	OVERFLOW CAP	PE	325866-01	1	1																
27	JOINT - OVERFLOW	ABS	323923-02	1	1																
28	BUSHING	-	420470-06	2	2																
29	VALVE HOLDER	GS	3A1178-01	1	1																
29A	TRUSS HEAD SCREW	4x8	7C31-0408	3	3																
30	MICRO SWITCH	V3L-111-08	4A0365-01	1	-																
		-	4A2546-01		1																
31	TAPPING SCREW	3x14	431415-02	2	2																
32	FLOAT SW. BRACKET	SS	3A0449-01	1	1																
32A	T2 SCREW	4x8, SS	7P32-0408	2	2																
33	CONNECTOR - FLOAT SWITCH	EPDM	426799-04	1	1																
34	FLOAT SWITCH	163795	4A0886-01	1	1																
34A	TRUSS HEAD SCREW	4x10, SS	4x10, SS	2	2																
35	JOINT HOSE	EPDM	439309-01	1	1																
36	CLAMP	NO.4253	427902-05	1	1																

Title: **C. Water Circuit** Model: **KM-1800SAH, KM-1800SAH3, KM-1800SWH, KM-1800SWH3, KM-1800SRH, KM-1800SRH3**

Index No.	Description	Material or Model Number	Part Number	Required Number									
				L-0	M-0 to Q-0								
37	HANDLE	JH1352	215383-01	1	1								
37A	T2 SCREW	4x8	7P31-0408	1	1								
38	"O" RING	1AP18	7611-P018	1	1								
39	"O" RING	1AG35	7611-G035	1	1								
40	DRAIN HOSE	EPDM	325869-01	1	1								
41	DRAIN	AC	309246-01	1	1								
42	"O" RING	1AP15	7611-P015	1	1								
43	BYPASS HOSE	EPDM	439237-02	1	1								
44	DISTRIBUTOR (C)	ABS	439238-01	1	1								
45	JOINT HOSE	EPDM	439296-01	1	1								
46	DISTRIBUTOR (B)	ABS	439239-01	1	1								
47	FLANGE	EPDM	439267-02	1	1								
48	BALL VALVE	PVC	439293-01	1	1								
49	MALE ADAPTOR	ABS	325826-01	2	2								
50	"O" RING	1AP20	7611-P020	2	2								
51	VINYL HOSE	L=230	7716-2732	1	1								
52	VINYL HOSE	L=550	7716-2732	1	1								
53	SILICONE HOSE	L=190	773013812	1	1								
54	SILICONE HOSE	L=430	773013896	1	1								
55	INSULATION HOSE	L=120	7762-3555	1	1								
56	INSULATION HOSE	L=130	7762-3555	1	1								
57	INSULATION HOSE	L=1200	7762-3555	1	1								

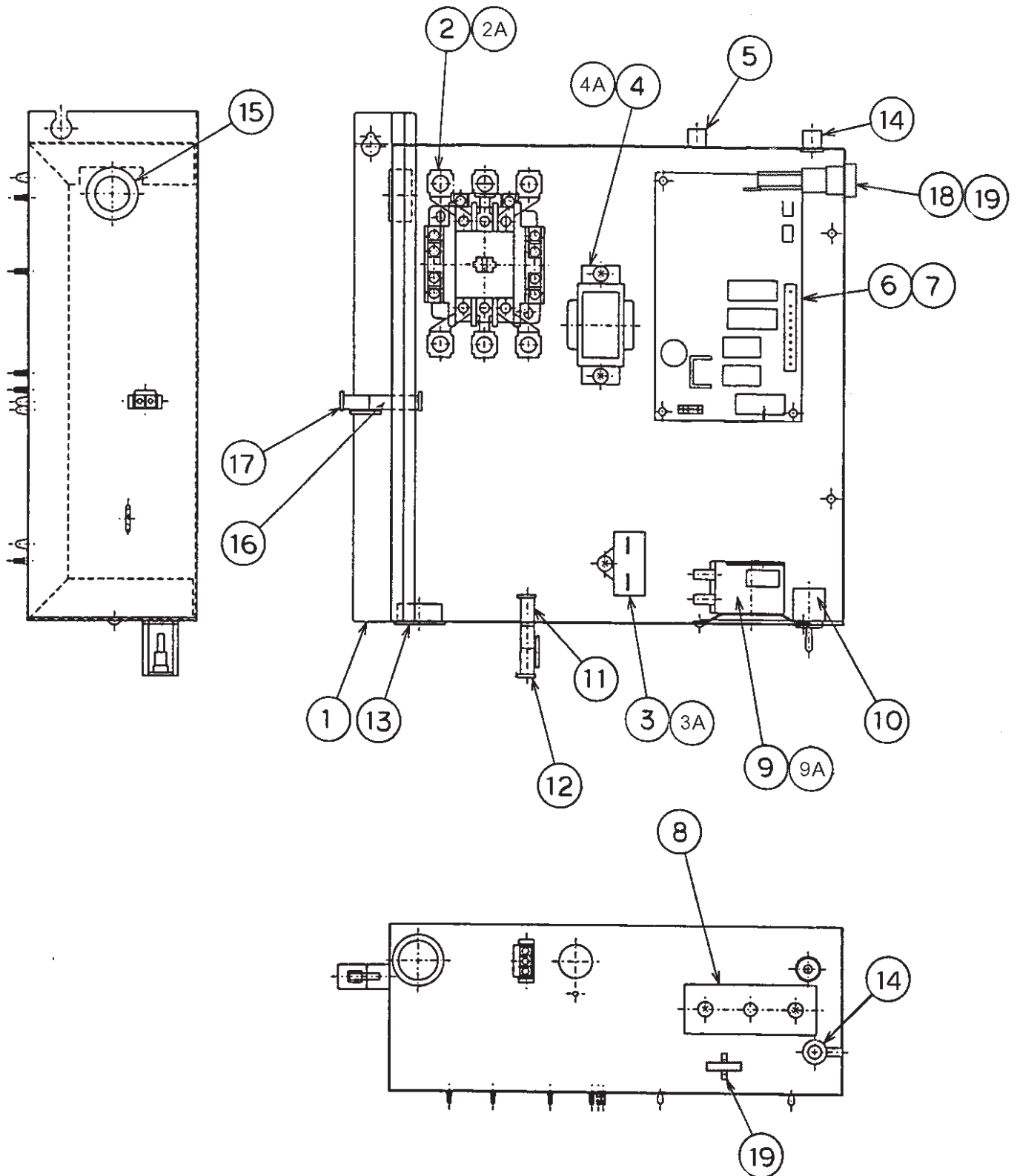
D. Control Box Assembly
KM-1800SAH, KM-1800SAH3
 L-0, M-0



D. Control Box Assembly

KM-1800SAH, KM-1800SAH3, KM-1800SWH, KM-1800SWH3,
KM-1800SRH, KM-1800SRH3

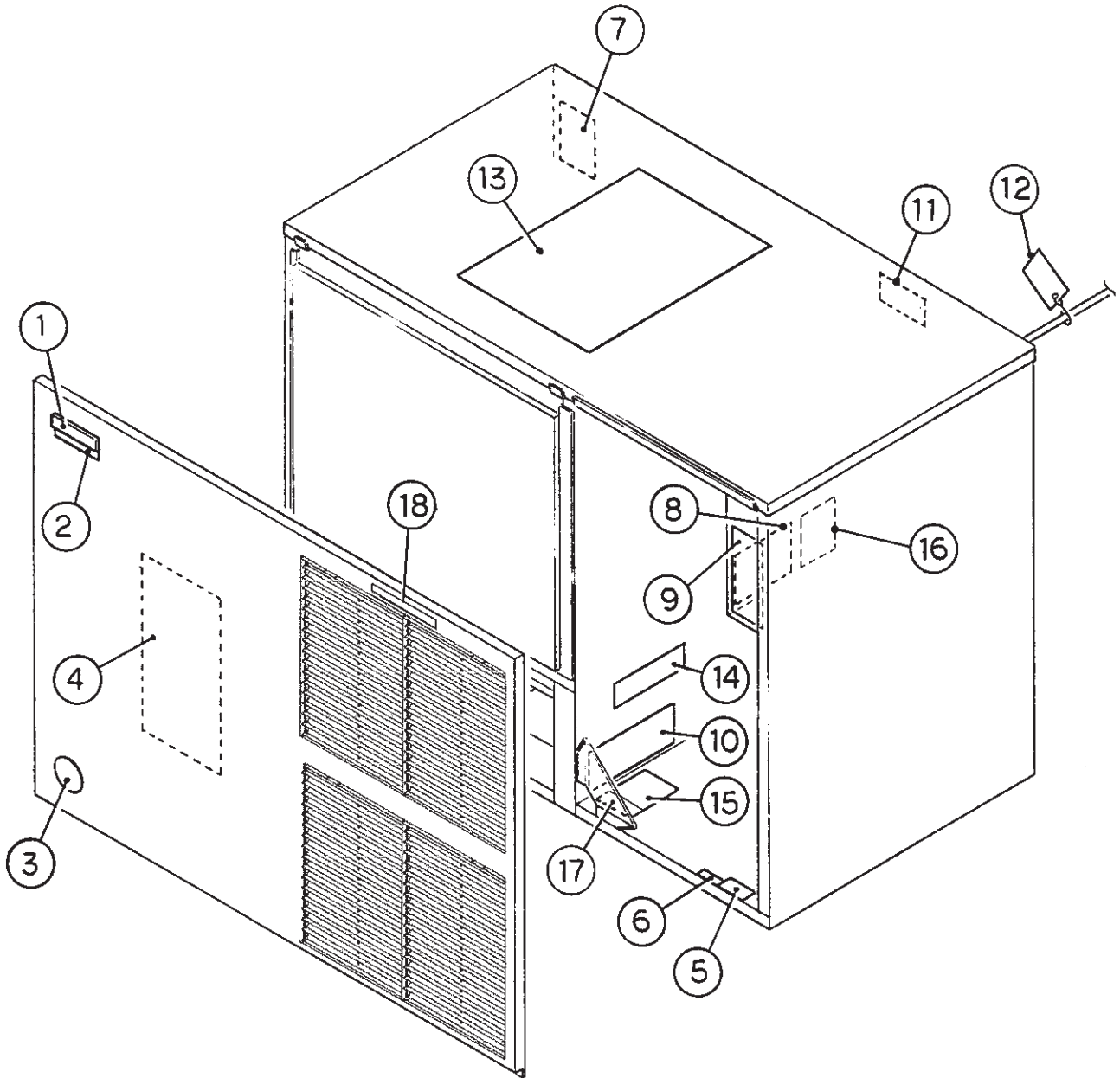
M-1, N-0, N-1, P-0, P-1, Q-0



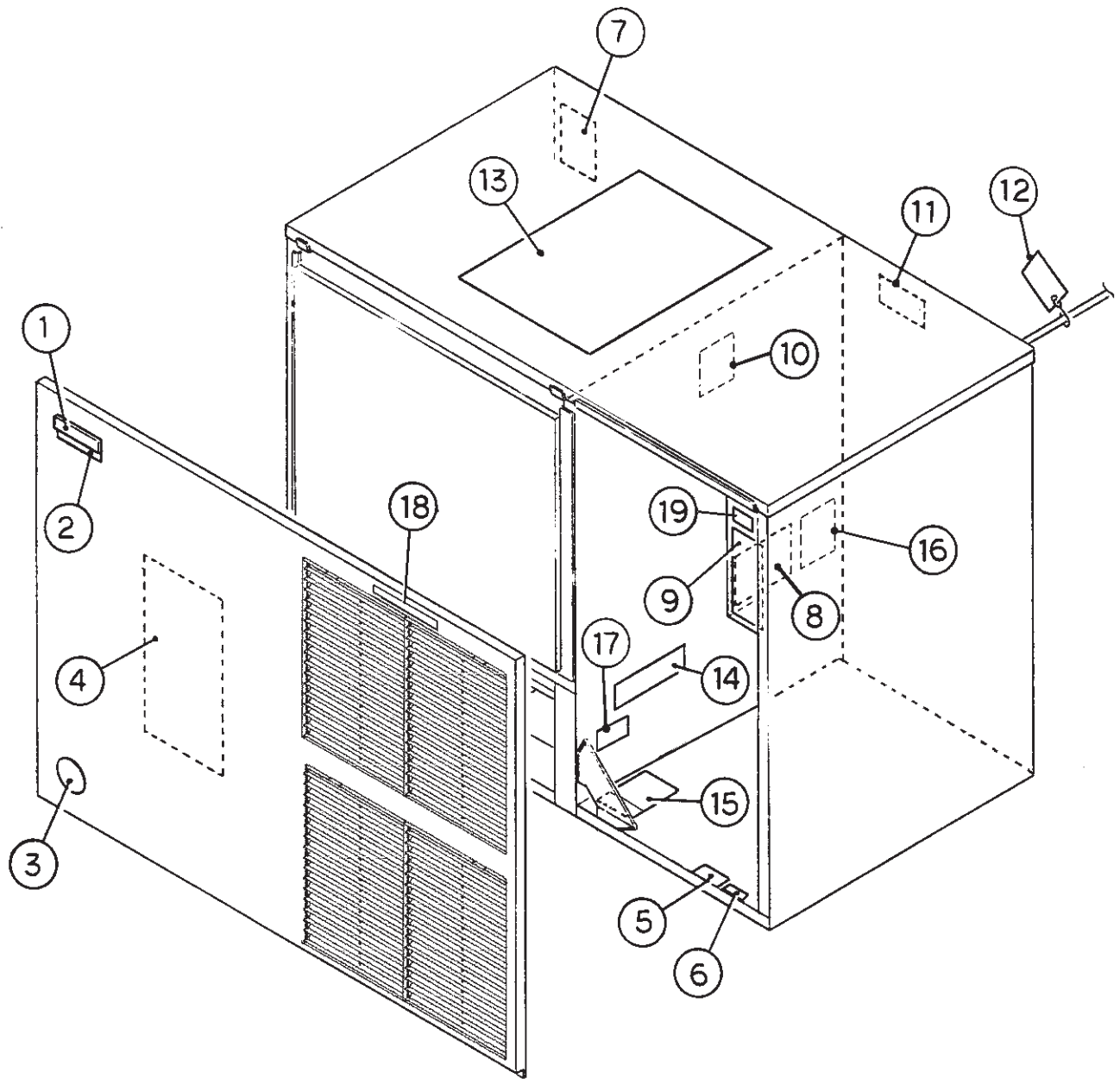
Title: **D. Control Box Assembly** Model: **KM-1800SAH, KM-1800SAH3, KM-1800SWH, KM-1800SWH3, KM-1800SRH, KM-1800SRH3**

Index No.	Description	Material or Model Number	Part Number	Required Number									
				L-0 M-0	M-1 to Q-0								
1	CONTROL BOX	GS	2A1082G02	1	-								
		GS	2A2524G01		1								
2	MAGNETIC CONTACTOR	A77-309040A-226	4A0794-01	1	1								
2A	TRUSS HEAD SCREW	4x12	7C31-0412	2	2								
3	CAPACITOR	250V. AC, 10MFD	443192-01	1	1								
3A	T2 SCREW	4x10	7P31-0410	1	1								
4	TRANSFORMER	26D285H	3A0172-01	1	1								
4A	T2 SCREW	4x8	7P31-0408	2	2								
5	BUSHING	OCB-875	428394-04	1	1								
6	CONTROLLER BOARD	HOSHIZAKI-001A	2A1410-01	1	1								
7	BOARD SUPPORT	CBLS37-M	4A0336-03	4	4								
8	CONTROL LABEL	PES FILM	4A1758-01	1	1								
9	THERMOSTAT	A30-3842-00	4A0824-02	1	1								
9A	TRUSS HEAD SCREW	4x6	7C31-0406	2	2								
10	TOGGLE SWITCH	7563K6	443119-01	1	1								
11	3P PLUG HOUSING	3191-03P	412832-06	1	1								
12	3P RECEPTACLE HOUSING	3191-03PR1	412831-06	1	1								
13	BUSHING	SB-1093-15	420470-03	1	1								
14	BUSHING	OCB-500	428394-02	2	2								
15	BUSHING	SB-1093-13	420470-12	1	1								
16	2P PLUG HOUSING	3190-02P (RED)	412832-09	1	1								
17	2P RECEPTACLE HOUSING	3191-02PR1 (RED)	412831-09	1	1								
18	FUSE HOLDER	HTB921	4A0892-01		1								
19	FUSE	AGC-10	4A0893-07		2								

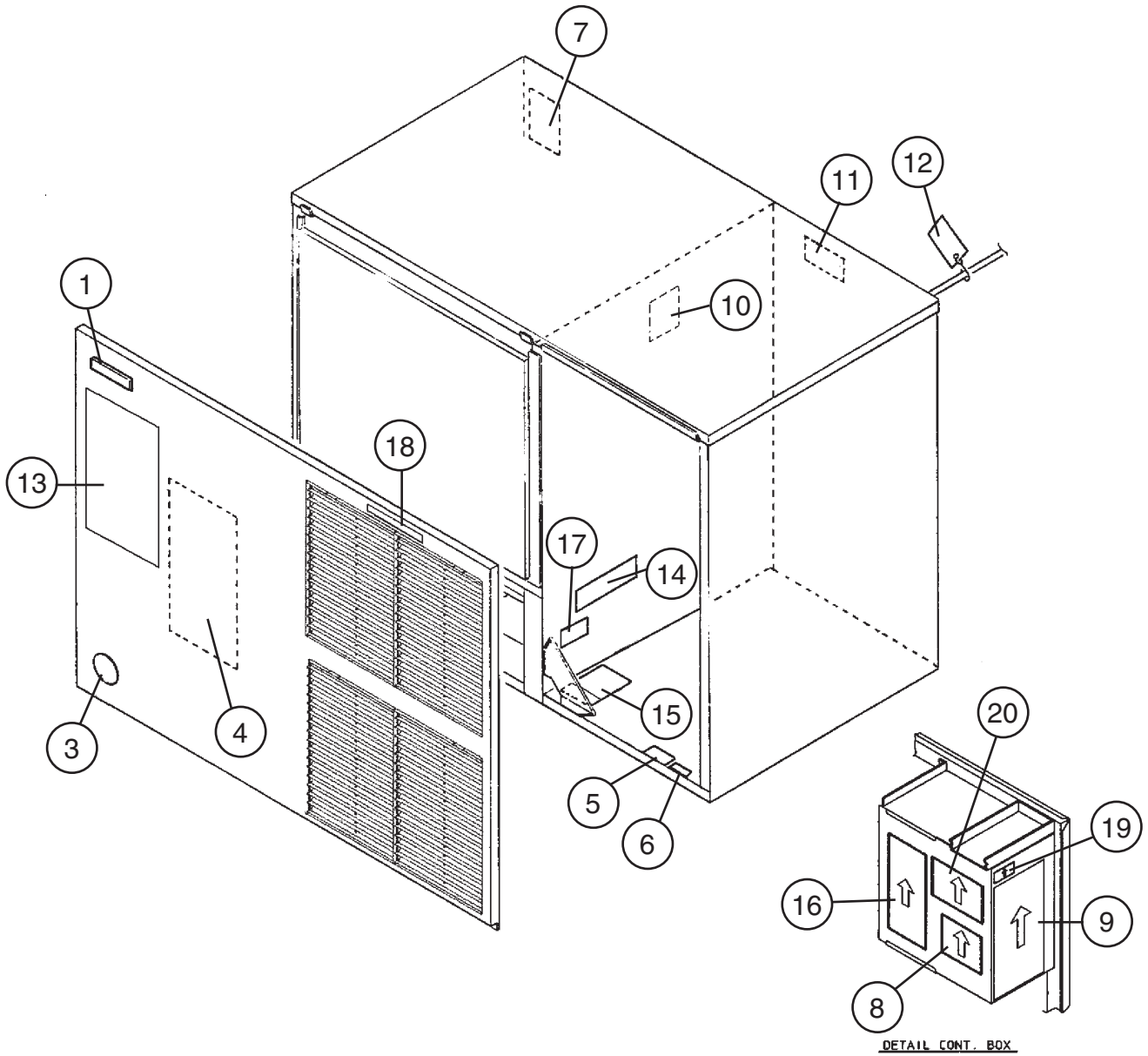
E. Label Location
KM-1800SAH, KM-1800SAH3
L-0, M-0



E. Label Location
KM-1800SAH, KM-1800SAH3
M-1, N-0, N-1, P-0, P-1



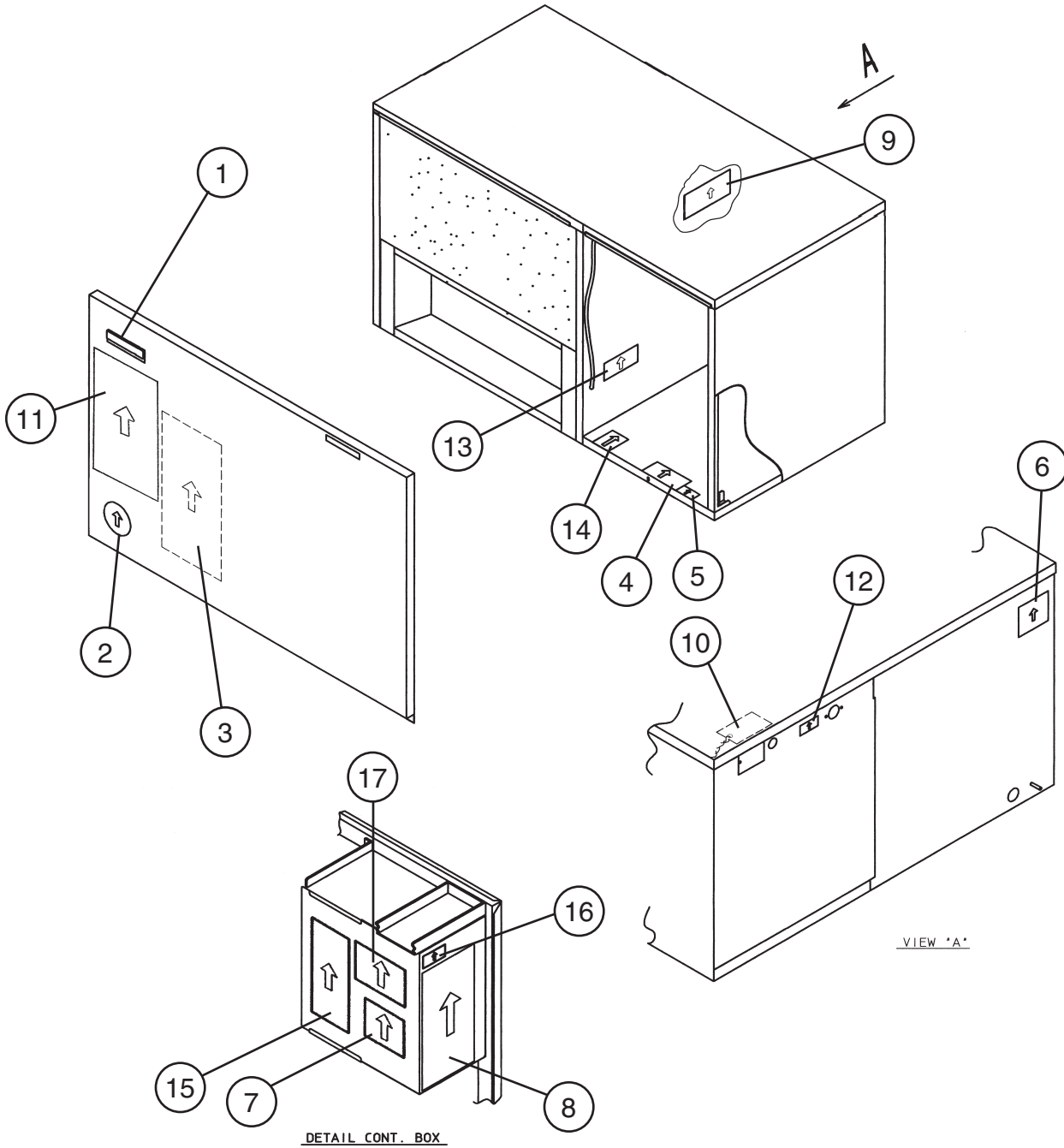
E. Label Location
KM-1800SAH, KM-1800SAH3
Q-0



Title: **E. Label Location** Model: **KM-1800SAH, KM-1800SAH3**

Index No.	Description	Material or Model Number	Part Number	Required Number										
				L-0 M-0	M-1	N-0 to P-1	Q-0							
1	EMBLEM	ABS	4A0560-01	1	1	1	1							
2	MODEL NUMBER LABEL	KM-1800SAH PETP FILM	4A2335-01	-										
			4A2356-17	1	1	-								
		KM-1800SAH3 PETP FILM	4A2335-02	-										
			4A2356-18	1	1	-								
3	LABEL - PENGUIN (R)	PETP FILM	4A0526-01	1	1	1	1							
4	MAINTENANCE LABEL	PVC FILM	3A1770-01	1	1	1	1							
5	CAUTION LABEL (K)	PVC FILM	439150-01	1	1	1	1							
6	LABEL - R404A	PES FILM	4A0960-01	1	1	1	1							
7	NAMEPLATE	KM-1800SAH PES FILM	4A2327-01	1	1	1	1							
		KM-1800SAH3 PES FILM	4A2325-01	1	1	1	1							
8	WIRING LABEL	KM-1800SAH PVC FILM	3A1805-01	1	-									
			3A2456-01		1	1	1							
		KM-1800SAH3 PVC FILM	3A1802-01	1	-									
			3A2457-01		1	1	1							
9	MANUAL LABEL	PVC FILM	324476-01	1	1	1	1							
10	MANUAL LABEL - BIN CONTROL	PVC FILM	324477-01	1	1	1	1							
11	INSTRUCTION LABEL	PVC FILM	444575-01	1	1	1	1							
12	TAG - WARNING: ELECTRICAL CONNECTION	KM-1800SAH PAPER	428430-01	1	1	1	1							
		KM-1800SAH3 PAPER	438479-01	1	1	1	1							
13	INSTRUCTION SHEET	PAPER	2A2135-01	1	1	1	1							
14	OPERATION LABEL - VALVE	PVC FILM	439541-01	1	1	1	1							
15	RATING LABEL	KM-1800SAH PES FILM	4A2328-01	1	1	1	1							
		KM-1800SAH3 PES FILM	4A2324-01	1	1	1	1							
16	LABEL - CONTROL BOARD	PVC FILM	3A1272-01	1	1	1	1							
17	CAUTION LABEL (F)	PVC FILM	439146-01	1	1	1	1							
18	LABEL – AIR FILTER	PVC FILM	426177-01	1	1	1	1							
19	LABEL – FUSE	-	4A2817-01		1	1	1							
20	LABEL – ALARM	PVC FILM	4A3517-01				1							

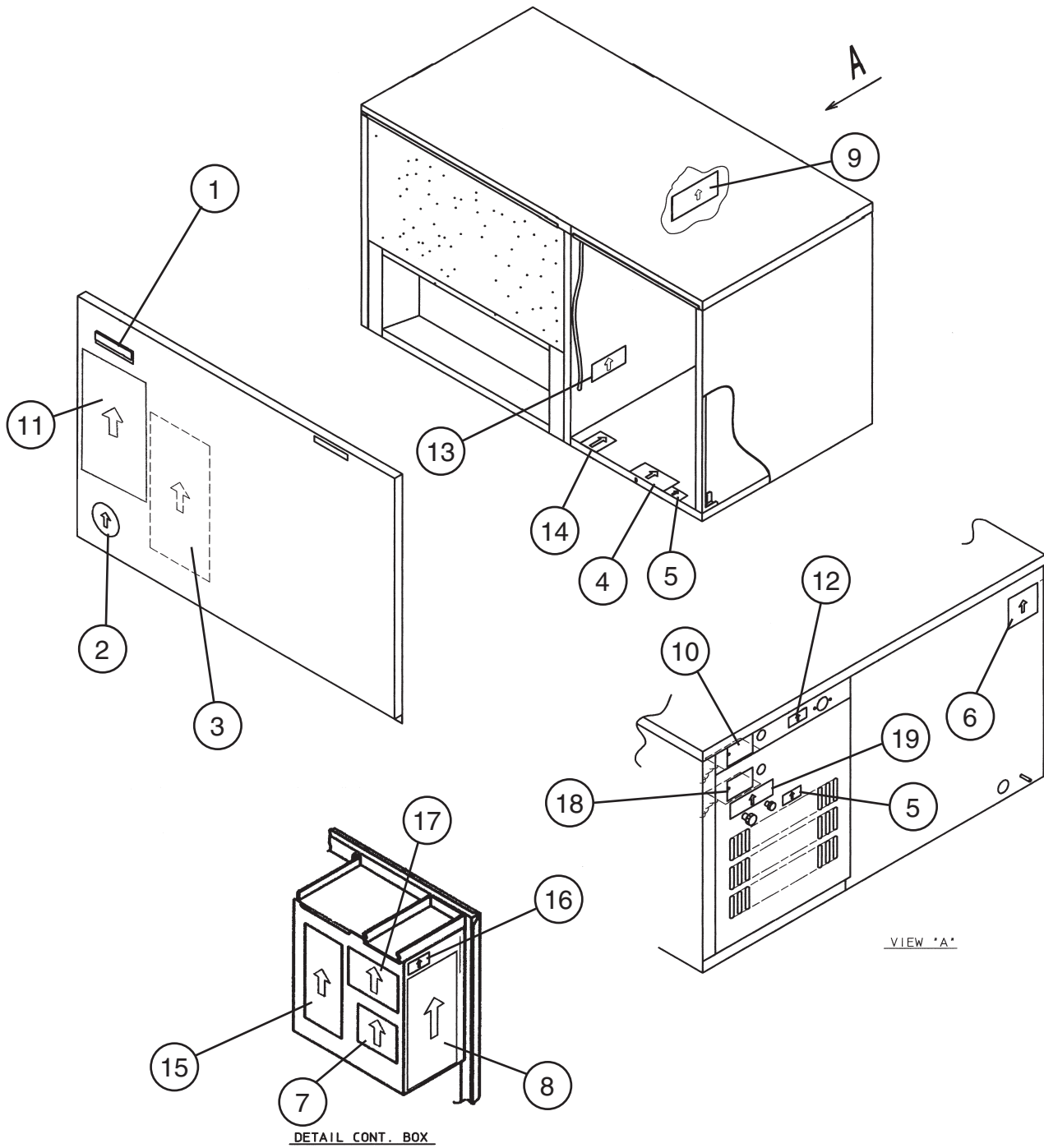
E. Label Location
KM-1800SWH, KM-1800SWH3
Q-0



Title: **E. Label Location** Model: **KM-1800SWH, KM-1800SWH3**

Index No.	Description	Material or Model Number	Part Number	Required Number									
				Q-0									
1	EMBLEM	ABS	4A0560-01	1									
2	LABEL - PENGUIN (R)	PETP FILM	4A0526-01	1									
3	MAINTENANCE LABEL	PVC FILM	3A1770-01	1									
4	CAUTION LABEL (K)	PVC FILM	439150-01	1									
5	LABEL - R404A	PES FILM	4A0960-01	1									
6	NAMEPLATE	KM-1800SWH PES FILM	2A2664-05	1									
		KM-1800SWH3 PES FILM	2A2664-06	1									
7	WIRING LABEL	KM-1800SWH PVC FILM	3A3490-01	1									
		KM-1800SWH3 PVC FILM	3A2394-01	1									
8	MANUAL LABEL	PVC FILM	324476-01	1									
9	MANUAL LABEL - BIN CONTROL	PVC FILM	324477-01	1									
10	TAG - WARNING: ELECTRICAL CONNECTION	KM-1800SWH PAPER	428430-01	1									
		KM-1800SWH3 PAPER	438479-01	1									
11	INSTRUCTION SHEET	PAPER	2A3458-01	1									
12	INSTRUCTION LABEL	PVC FILM	444575-01	1									
13	OPERATION LABEL - VALVE	PVC FILM	439541-01	1									
14	RATING LABEL	KM-1800SWH PES FILM	2A2665-05	1									
		KM-1800SWH3 PES FILM	2A2665-06	1									
15	LABEL - CONTROL BOARD	PVC FILM	3A2220-01	1									
16	LABEL – FUSE	-	4A2817-01	1									
17	LABEL – ALARM	PVC FILM	4A3517-01	1									

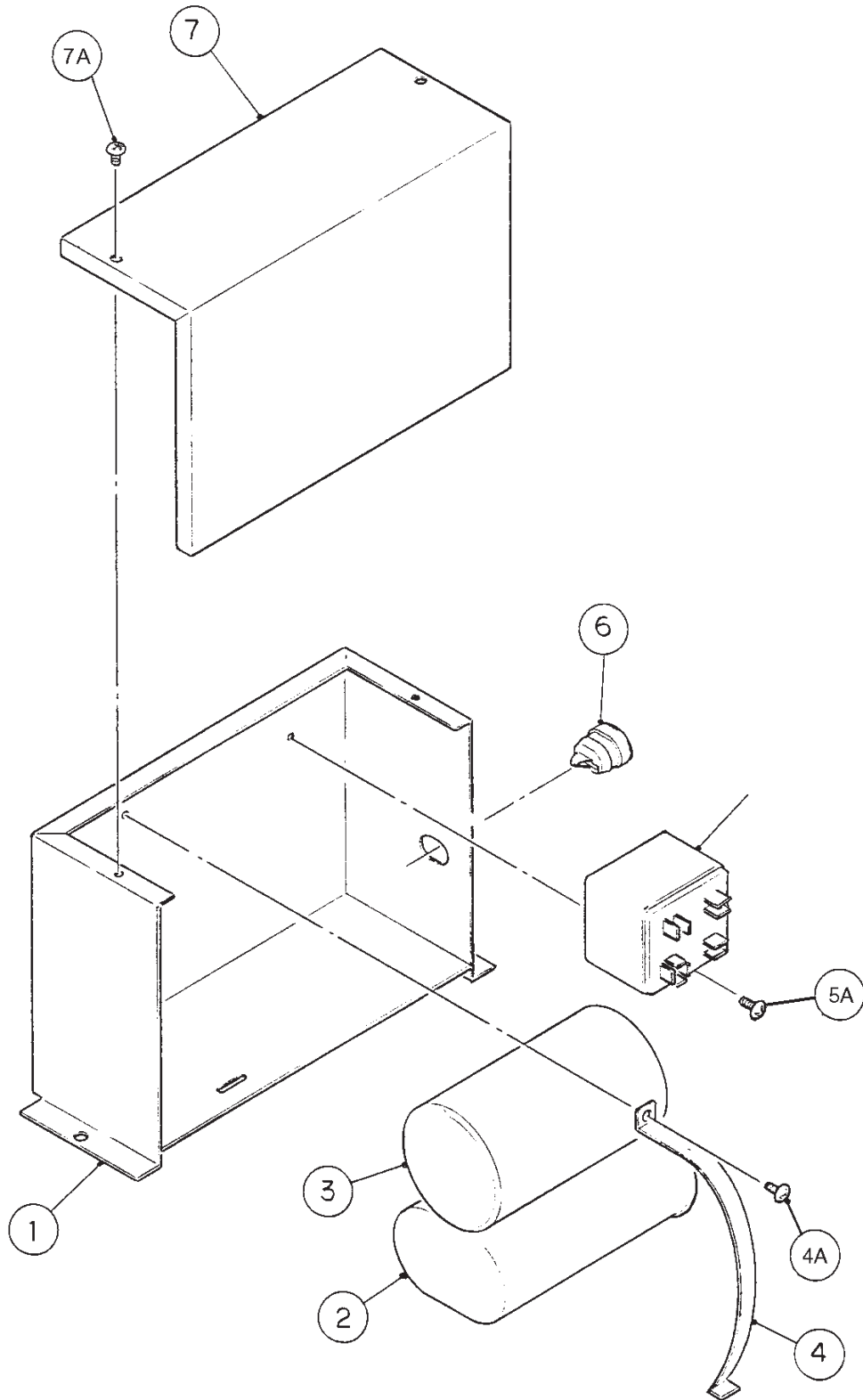
E. Label Location
KM-1800SRH, KM-1800SRH3
 Q-0



Title: **E. Label Location** Model: **KM-1800SRH, KM-1800SRH3**

Index No.	Description	Material or Model Number	Part Number	Required Number									
				Q-0									
1	EMBLEM	ABS	4A0560-01	1									
2	LABEL - PENGUIN (R)	PETP FILM	4A0526-01	1									
3	MAINTENANCE LABEL	PVC FILM	3A1770-01	1									
4	CAUTION LABEL (K)	PVC FILM	439150-01	1									
5	LABEL - R404A	PES FILM	4A0960-01	1									
6	NAMEPLATE	KM-1800SRH PES FILM	2A2664-03	1									
		KM-1800SRH3 PES FILM	2A2664-04	1									
7	WIRING LABEL	KM-1800SRH PVC FILM	3A3490-01	1									
		KM-1800SRH3 PVC FILM	3A2394-01	1									
8	MANUAL LABEL	PVC FILM	324476-01	1									
9	MANUAL LABEL - BIN CONTROL	PVC FILM	324477-01	1									
10	TAG - WARNING: ELECTRICAL CONNECTION	KM-1800SRH PAPER	428430-01	1									
		KM-1800SRH3 PAPER	438479-01	1									
11	INSTRUCTION SHEET	PAPER	2A3458-01	1									
12	INSTRUCTION LABEL	PVC FILM	444575-01	1									
13	OPERATION LABEL - VALVE	PVC FILM	439541-01	1									
14	RATING LABEL	KM-1800SRH PES FILM	2A2665-03	1									
		KM-1800SRH3 PES FILM	2A2665-04	1									
15	LABEL - CONTROL BOARD	PVC FILM	3A2220-01	1									
16	LABEL – FUSE	-	4A2817-01	1									
17	LABEL – ALARM	PVC FILM	4A3517-01	1									
18	TAG – FAN MOTOR LEADS		4A1494-01	1									
19	CAUTION – REMOTE LABEL		4A1491-01	1									

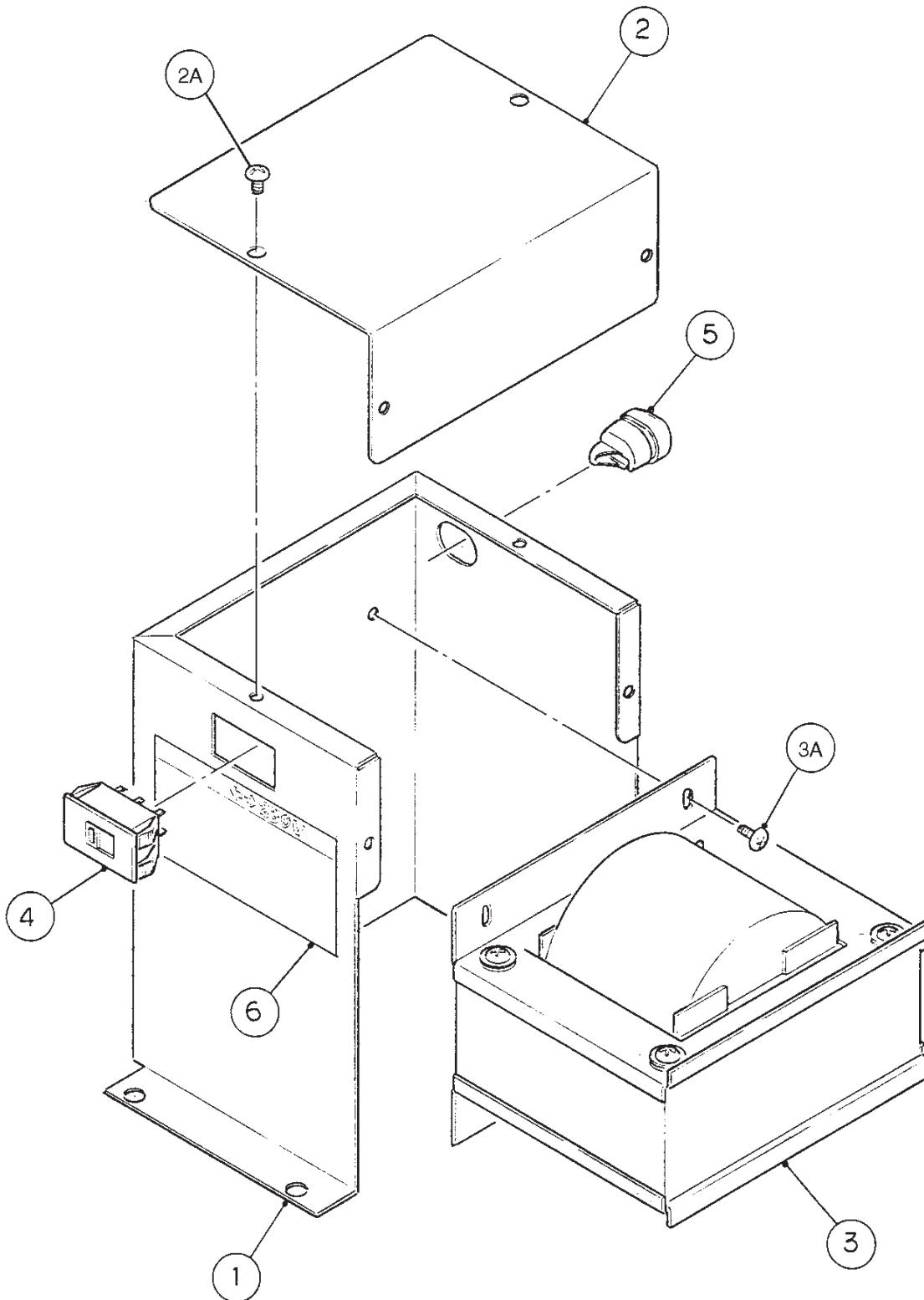
F. Capacitor Box Assembly
KM-1800SAH, KM-1800SWH, KM-1800SRH
L-0, M-0, M-1, N-0, N-1, P-0, P-1, Q-0



Title: **F. Capacitor Box Assembly** Model: **KM-1800SAH , KM-1800SWH, KM-1800SRH**

Index No.	Description	Material or Model Number	Part Number	Required Number									
				L-00006M to L-00085C	L-00086J to L-00105J	M-0	M-1 to Q-0						
1	CAPACITOR BOX	GS	326124-02	1									
2	CAPACITOR	35MFD, 370V	439943-01	1	-								
		-	3A2005-05		1	1	1						
3	CAPACITOR - STARTING	145-174MFD, 250V	3A0076-01	1	1	1	1						
4	STRAP	GS	434580-04	1	-								
			4A2262-03		1	1	1						
4A	T2 SCREW	4x8	7P31-0408	1	1	1	1						
5	STARTER	3ARR3CT10S5	4A1107-09	1	1	1	1						
5A	T2 SCREW	4x8	7P31-0408	1	1	1	1						
6	BUSHING	SR-34-2	420472-05	1	1	1	1						
7	CAPACITOR BOX COVER	GS	326125-01	1	1	1	1						
7A	T2 SCREW	4x8	7P31-0408	2	2	2	2						

F. Transformer Box Assembly
KM-1800SAH3, KM-1800SWH3, KM-1800SRH3
L-0, M-1, N-0, N-1, P-0, P-1, Q-0

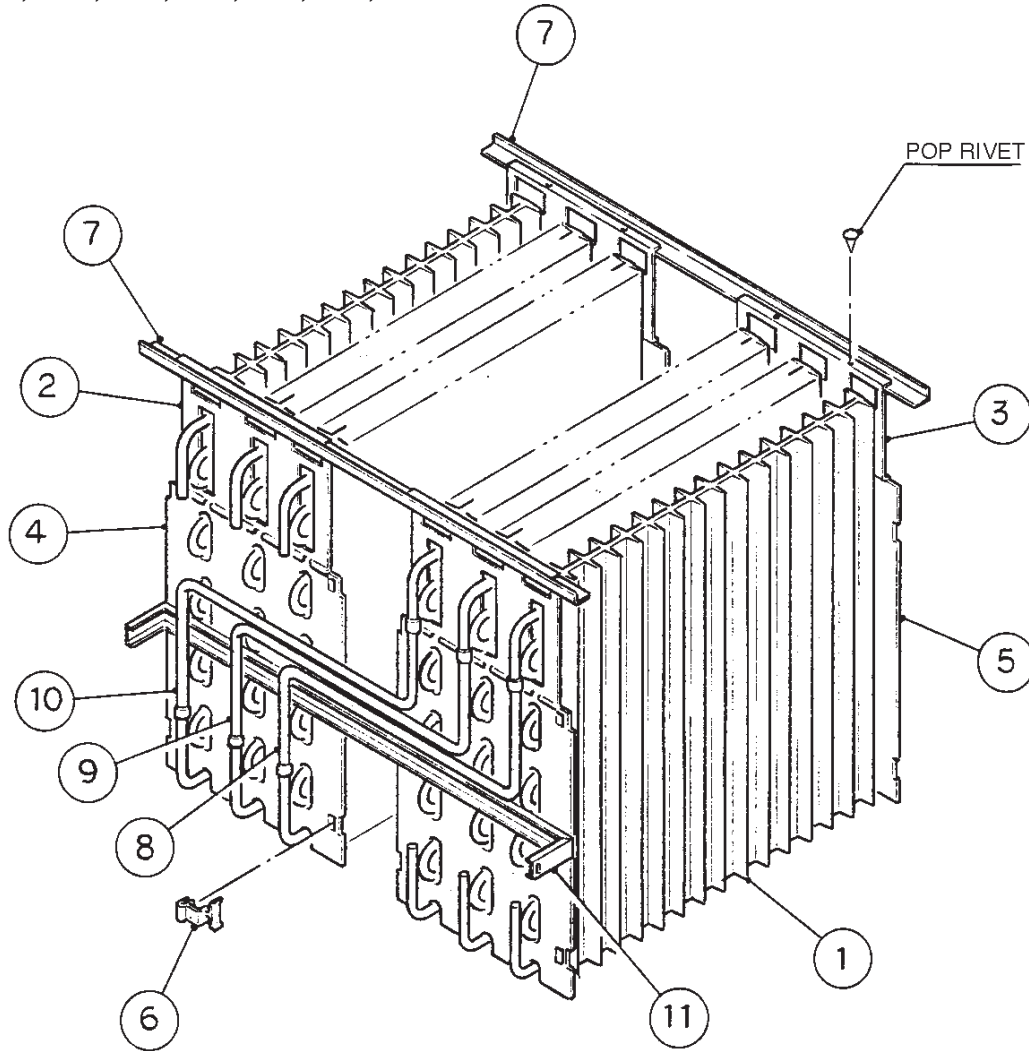


Title: F. Transformer Box Assembly Model: KM-1800SAH3, KM-1800SWH3, KM-1800SRH3											
Index No.	Description	Material or Model Number	Part Number	Required Number							
				L-0 to Q-0							
1	TRANSFORMER BOX	-	3A1101-01	1							
2	TRANSFORMER BOX COVER	-	438467-01	1							
2A	T2 SCREW	4x8	7P31-0408	4							
3	TRANSFORMER	BE24543001	4A0817-01	1							
3A	TRUSS HEAD SCREW	4x8	7C31-0408	4							
4	SLIDE SWITCH	SE1022-SD-PM-F-R-HK-A	4A1477-01	1							
5	BUSHING	SR-30-1	420472-03	1							
6	MANUAL LABEL - TAP SWITCH	PVC FILM	439423-01	1							

G. Evaporator

KM-1800SAH, KM-1800SAH3, KM-1800SWH, KM-1800SWH3, KM-1800SRH, KM-1800SRH3

L-0, M-0, M-1, N-0, N-1, P-0, P-1, Q-0



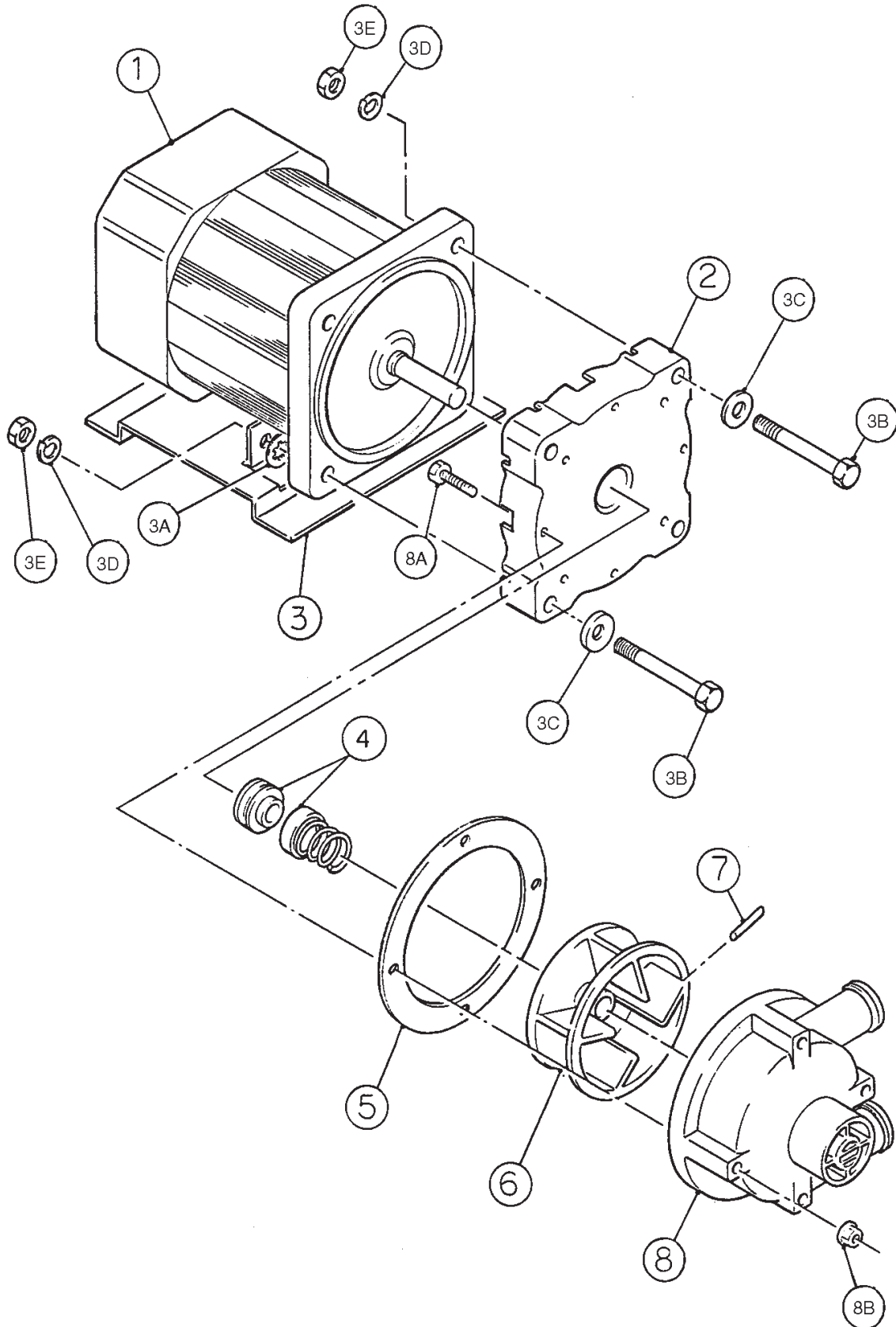
Title: **G. Evaporator** Model: **KM-1800SAH, KM-1800SAH3, KM-1800SWH, KM-1800SWH3, KM-1800SRH, KM-1800SRH3**

Index No.	Description	Material or Model Number	Part Number	Required Number														
				L-0 to Q-0														
1	EVAPORATOR	(S-0641)	103317G02	6														
2	EVAP. BRACKET (A)	SS	323690-01	2														
3	EVAP. BRACKET (B)	SS	323691-01	2														
4	END PLATE (A)	ABS	325859-01	2														
5	END PLATE (B)	ABS	325860-01	2														
6	HOOK	PP	324152-01	8														
7	EVAP. BRACKET	GS	436582-01	2														
8	COPPER TUBE (A) - EVAP	COPPER	439082-01	1														
9	COPPER TUBE (B) - EVAP	COPPER	439082-02	1														
10	COPPER TUBE (C) - EVAP	COPPER	439082-03	1														
11	EVAP. BRACKET (C)	SS	325868-01	1														

H. Pump Motor Assembly

KM-1800SAH, KM-1800SAH3, KM-1800SWH, KM-1800SWH3, KM-1800SRH,
KM-1800SRH3

L-0, M-0, M-1, N-0, N-1, P-0, P-1, Q-0



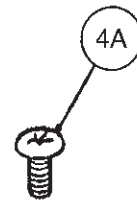
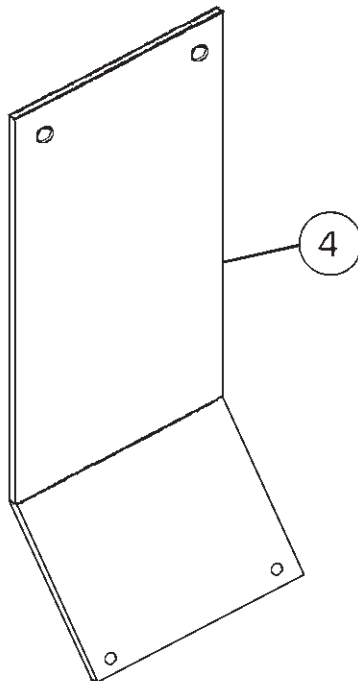
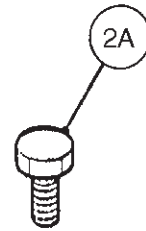
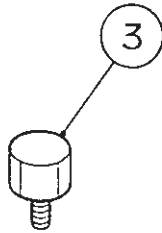
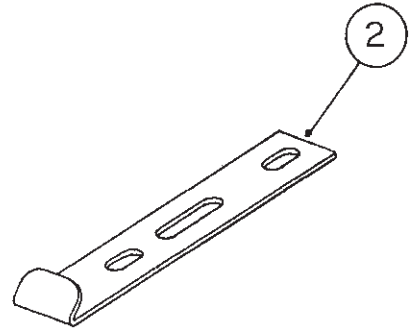
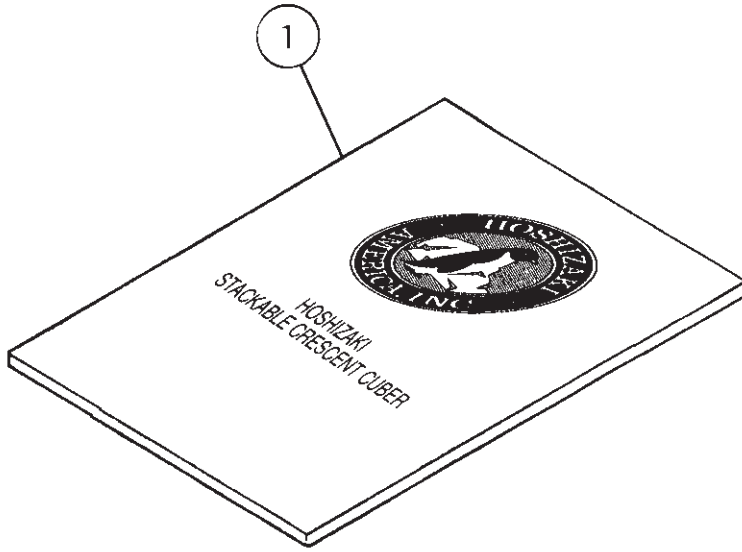
Title: **H. Pump Motor Assembly** Model: **KM-1800SAH, KM-1800SAH3, KM-1800SWH, KM-1800SWH3, KM-1800SRH, KM-1800SRH3**

Index No.	Description	Material or Model Number	Part Number	Required Number									
				L-0 to Q-0									
1	PUMP MOTOR	M91A60SP201	2U0106-01	1									
2	PUMP FLANGE	PC	215662-01	1									
3	PUMP MOTOR BRACKET	SS	323904-01	1									
3A	TOOTH WASHER	6, SS	7R22-0600	2									
3B	HEXAGON BOLT	6x40, SS	7B02-0640	4									
3C	FLAT WASHER	6, SS	7W22-0600	4									
3D	SPLIT LOCK WASHER	6, SS	7L22-0600	4									
3E	NUT	6, SS	7N12-0600	4									
4	MECHANICAL SEAL	H5-PN, 8MM	428545-01	1									
5	PACKING	EPDM	428547-01	1									
6	IMPELLER	ABS	436584-01	1									
7	PIN	SS	414102-01	1									
8	PUMP HOUSING	ABS	213687-01	1									
8A	HEXAGON BOLT	4x55, SS	7B02-0455	4									
8B	FLANGE NUT	4, SS	7J02-0400	4									

J. Accessories & Packaging

KM-1800SAH, KM-1800SAH3, KM-1800SWH, KM-1800SWH3, KM-1800SRH,
KM-1800SRH3

L-0, M-0, M-1, N-0, N-1, P-0, P-1, Q-0



Title: **J. Accessories & Packaging** Model: **KM-1800SAH, KM-1800SAH3, KM-1800SWH, KM-1800SWH3, KM-1800SRH, KM-1800SRH3**

Index No.	Description	Material or Model Number	Part Number	Required Number									
				L-0 to P-1	Q-0								
1	INSTRUCTION MANUAL	PAPER	91A1SA10C	1	1								
2	UNIVERSAL BRACE	GS	4A0363-01	2	2								
2A	HEX HEAD BOLT	5x12, SS	7B02-0512	4	4								
3	THUMBSCREW	ABS, SS	415949G01	1	1								
4	THERMOSTAT EXTENSION BRACKET	SS	3A0408-01	1	1								
4A	TRUSS HEAD SCREW	4x10, SS	7C32-0410	2	2								
PACKAGING (Available only on models currently in production)			2A0876A09										
1	PALLET	-	2A0865-01	1	1								
2	TRAY	-	2A2173-05	1	1								
3	WOOD BLOCK – B	-	4A0004-02	3	3								
4	CORNER POST	-	3A0788-08	2	2								
5	WOOD BLOCK – C	-	4A0004-03	2	2								
6	MODEL AND SERIAL NO. LABEL	-	4A0023-01	1	-								
			4A2999-01		1								
7	SIDE PROTECTOR	-	4A2304-01	3	3								
8	CORNER POST	-	3A0788-01	4	4								
9	SIDE PROTECTOR	-	4A2304-02	2	2								