



**HOSHIZAKI**

**STACKABLE CRESCENT CUBER**

**MODELS**

**KM-1800SAH**

**KM-1800SAH3**

**KM-1800SWH**

**KM-1800SWH3**

**KM-1800SRH**

**KM-1800SRH3**

**PARTS LIST**

## CONTENTS

Note About Ordering Parts .....	3
Material Abbreviations .....	4
A. Ice Cuber Assembly .....	5
KM-1800SAH .....	5
KM-1800SAH3 .....	8
KM-1800SWH, KM-1800SWH3 .....	11
KM-1800SRH, KM-1800SRH3 .....	13
B. Refrigeration Circuit .....	15
KM-1800SAH, KM-1800SAH3 .....	15
KM-1800SWH, KM-1800SWH3 .....	20
KM-1800SRH, KM-1800SRH3 .....	25
C. Water Circuit.....	30
KM-1800SAH, KM-1800SAH3, KM-1800SWH, KM-1800SWH3, KM-1800SRH, KM-1800SRH3 .....	30
D. Control Box Assembly .....	33
KM-1800SAH, KM-1800SAH3 .....	33
KM-1800SAH, KM-1800SAH3, KM-1800SWH, KM-1800SWH3, KM-1800SRH, KM-1800SRH3 .....	34
E. Label Location .....	36
KM-1800SAH, KM-1800SAH3 .....	36
KM-1800SWH, KM-1800SWH3 .....	40
KM-1800SRH, KM-1800SRH3 .....	42
F. Capacitor Box Assembly .....	44
KM-1800SAH, KM-1800SWH, KM-1800SRH .....	44
F. Transformer Box Assembly.....	46
KM-1800SAH3, KM-1800SWH3, KM-1800SRH3 .....	46
G. Evaporator .....	48
KM-1800SAH, KM-1800SAH3, KM-1800SWH, KM-1800SWH3, KM-1800SRH, KM-1800SRH3 .....	48
H. Pump Motor Assembly .....	49
KM-1800SAH, KM-1800SAH3, KM-1800SWH, KM-1800SWH3, KM-1800SRH, KM-1800SRH3 .....	49
J. Accessories & Packaging.....	51
KM-1800SAH, KM-1800SAH3, KM-1800SWH, KM-1800SWH3, KM-1800SRH, KM-1800SRH3 .....	51

<b>KM-1800SAH</b>	L-0	December 2000
	M-0	March 2002
	M-1	May 2002
	N-0	December 2002
	N-1	March 2003
	P-0	December 2003
	P-1	June 2004
	Q-0	December 2004
<b>KM-1800SAH3</b>	L-0	December 2000
	M-1	August 2002
	N-0	February 2003
	N-1	March 2003
	P-0	January 2004
	P-1	June 2004
	Q-0	January 2005
<b>KM-1800SWH</b>	Q-0	June 2005
<b>KM-1800SWH3</b>	Q-0	June 2005
<b>KM-1800SRH</b>	Q-0	April 2005
<b>KM-1800SRH3</b>	Q-0	April 2005

### **Note About Ordering Parts**

Most assemblies cannot be ordered as complete units; parts in the assemblies generally must be ordered separately.

## Material Abbreviations

### ALUMINUM

AL = Aluminum

### COPPER

CU = Copper

### PLASTIC

ABS = Acrylonitrile -butadiene - styrene  
AC = Polyacetal  
EVA = Ethylene vinyl acetate  
PA = Polyamide = Nylon  
PC = Polycarbonate  
PE = Polyethylene  
PES = Polyester  
PETP = Polyethylene terephthalate = Tetlon  
PP = Polypropylene  
PS = Polystyrene  
PTFE = Polytetrafluoroethylene = Teflon  
PUR = Polyurethane  
PVC = Polyvinyl chloride

### RUBBER

VN = Vinyl Nitrile  
EPDM = EP rubber  
NBR = Nitrile butadiene rubber  
NR = Natural rubber  
NP = Neoprene  
SI.R = Silicone rubber  
SY.R = Synthetic rubber  
EPH = Epichlorohydrin

### STEEL

GS = Galvanized steel  
SS = Stainless steel  
PS = Plated steel  
PAS = Primed steel

### AUXILIARY CODE

K-0

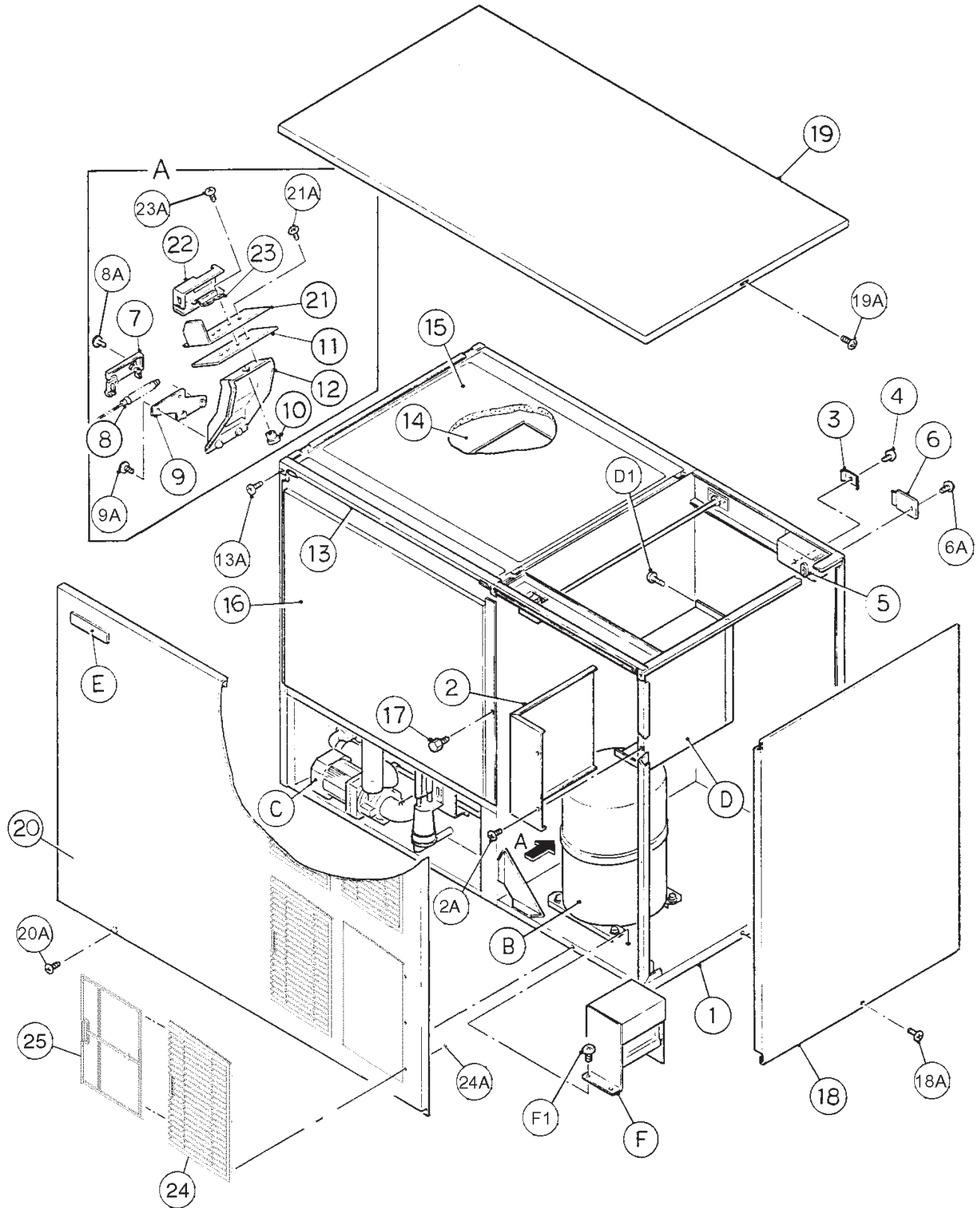
TT Designates the year. "K" indicates the year 2000. Years progress or regress in alphabetical order. "J" is 1999, "L" is 2001, "M" is 2002, and so on. The letters "I" and "O" were skipped.  
TT Designates significant part changes within the same year for this model. Base is 0 and this number advances for each change.

Example: P-1

TT "P" indicates 2004.  
TT "1" indicates the first significant part change for 2004.

# A. Ice Cuber Assembly KM-1800SAH

L-0, M-0, M-1, N-0, N-1, P-0, P-1, Q-0



Title: **A. Ice Cuber Assembly** Model: **KM-1800SAH**

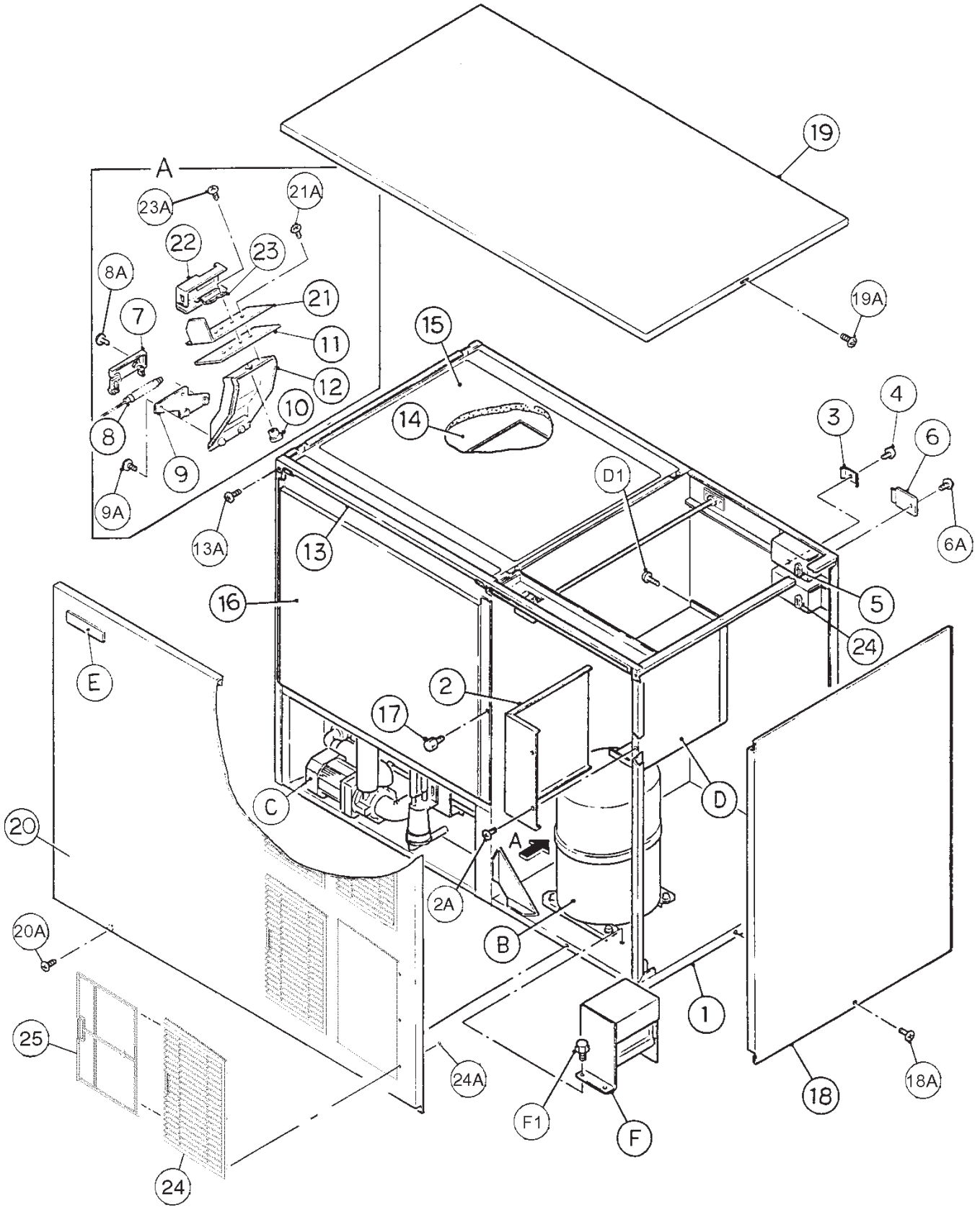
Index No.	Description	Material or Model Number	Part Number	Required Number																
				L-00006M to L-00085C	L-00086J to L-00105J	M-0	M-1 to Q-0													
B	REFRIGERATION CIRCUIT	-	1A0533A02	1	-															
			1A0533A04		1	1	1													
C	WATER CIRCUIT	-	105122A05	1	1	1	1													
D	CONTROL BOX ASSEMBLY	-	2A1122A03	1	1	1	-													
			2A2527A01					1												
D1	T2 SCREW	4x8	7P31-0408	2	2	2	2													
E	LABEL LOCATION	-	2A2003A02	1	1	1	-													
			2A2558A02					1												
F	CAPACITOR BOX ASSEMBLY	-	3A1003A02	1	-															
			3A2054A02		1	1	1													
F1	T2 SCREW	4x8	7P31-0408	2	2	2	2													
1	EVAPORATOR CASE	-	2A1102G07	1	1	-														
			2A2100G02				1	1												
2	CONTROL BOX COVER	GS	3A0174-01	1	1	1	-													
			3A2386-01					1												
2A	T2 SCREW	4x8	7P31-0408	3	3	3	3													
3	SQUARE WASHER	BRASS	433537-02	1	1	1	1													
4	SCREW - GROUNDING	BRASS	433304-02	1	1	1	1													
5	BUSHING	SR-34-2	420472-05	1	1	1	1													
6	JUNCTION BOX COVER	GS	433410-01	1	1	1	1													
6A	T2 SCREW	4x8	7P31-0408	1	1	1	1													
7	BULB HOLDER	PE	328919-01	1	1	1	1													
8	SPACER	PE	443545-01	1	1	1	2													
8A	T2 SCREW	4x16, SS	7P32-0416	2	2	2	2													
9	BULB HOLDER (C)	ABS	325845G01	1	1	1	1													
9A	TRUSS HEAD SCREW	4x12, SS	7C32-0412	2	2	2	2													
10	BUSHING	EPDM	425307-01	1	1	1	1													
11	SPACER	ABS	439727-01	1	1	1	1													
12	BULB HOLDER (D)	ABS	215644G01	1	1	1	1													
13	FRONT PANEL - BRACKET	SS	323903-01	1	1	1	1													
13A	T2 SCREW	4x12, SS	7P32-0412	3	3	3	3													
14	SPACER	ABS	324321-01	1	1	1	1													
15	TOP INSULATION	ABS, PE	324216G01	1	1	1	1													
16	FRONT INSULATION	ABS, PE	326041G01	1	1	1	1													
17	THUMBSCREW	ABS, SS	415949G01	1	1	1	1													
18	SIDE PANEL (R)	SS	215381G02	1	1	1	1													
18A	TRUSS HEAD SCREW	4x8, SS	7C32-0408	3	3	3	3													
19	TOP PANEL	SS	2A2096-01	1	1	1	1													
19A	TRUSS HEAD SCREW	4x8, SS	7C32-0408	3	3	3	3													
20	FRONT PANEL	SS	3A1800G01	1	1	1	1													
20A	TRUSS HEAD SCREW	4x16, SS	7C32-0416	2	2	2	2													
21	BULB HOLDER (E)	GS	439725-01	1	1	1	1													
21A	TRUSS HEAD SCREW	4x12, SS	7C32-0412	2	2	2	2													
22	BULB HOLDER (F)	GS	328743-01	1	1	1	1													

Title: **A. Ice Cuber Assembly** Model: **KM-1800SAH**

Index No.	Description	Material or Model Number	Part Number	Required Number									
				L-00006M to L-00085C	L-00086J to L-00105J	M-0	M-1 to Q-0						
23	BULB HOLDER (G)	GS	<a href="#">439726-01</a>	1	1	1	1						
23A	TRUSS HEAD SCREW	4x6, SS	<a href="#">7C32-0406</a>	2	2	2	2						
24	LOUVER (B)	PP	<a href="#">1A0548-01</a>	4	4	4	4						
24A	PUSH RETAINER	-	<a href="#">4A2414-01</a>	12	12	12	12						
25	AIR FILTER (B)	PP	<a href="#">2A2063G01</a>	4	4	4	4						

# A. Ice Cuber Assembly KM-1800SAH3

L-0, M-1, N-0, N-1, P-0, P-1, Q-0



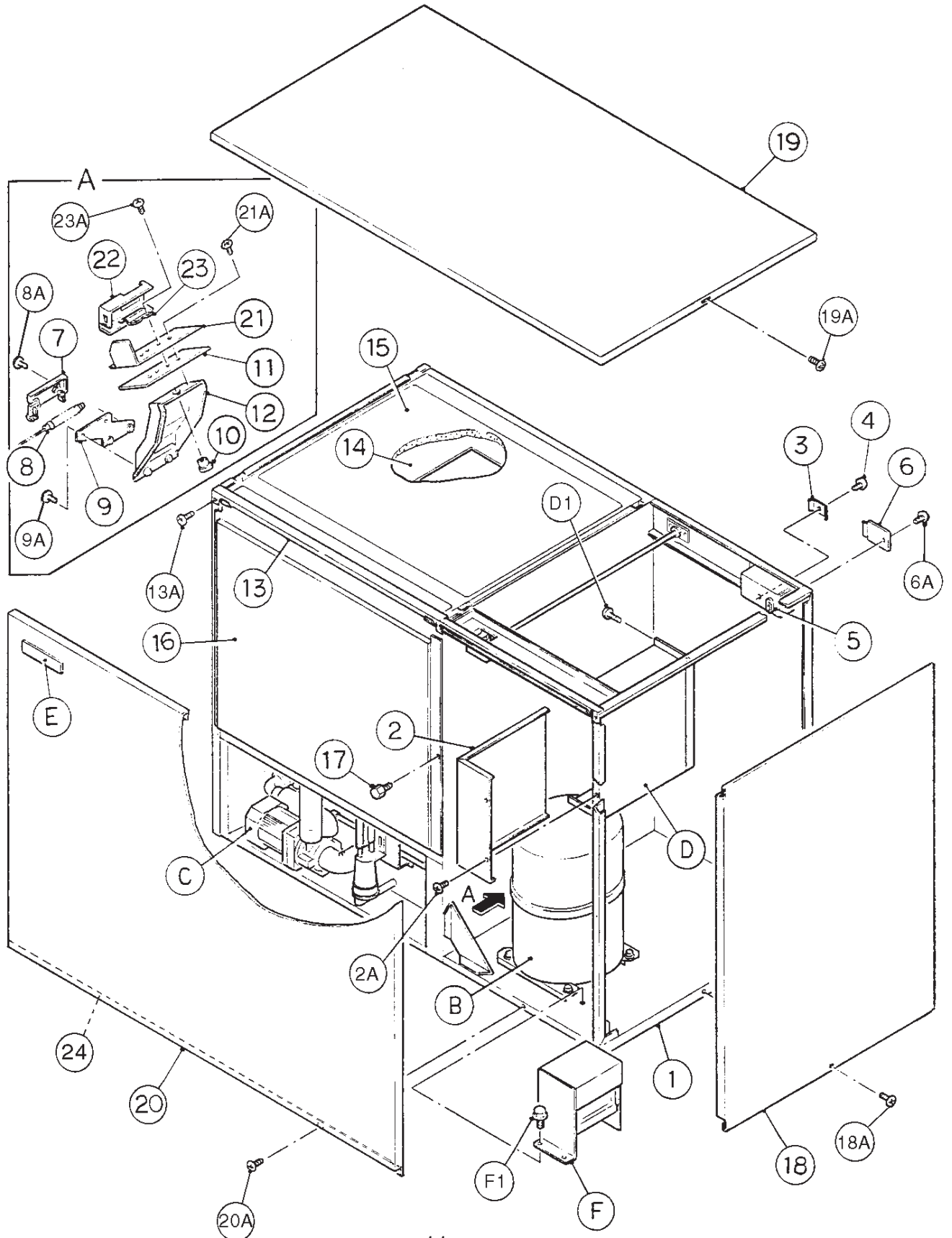


Title: <b>A. Ice Cuber Assembly</b> Model: <b>KM-1800SAH3</b>										
Index No.	Description	Material or Model Number	Part Number	Required Number						
				L-0	M-1 to Q-0					
B	REFRIGERATION CIRCUIT	-	1A0533A01	1	-					
			1A0533A03		1					
C	WATER CIRCUIT	-	105122A05	1	1					
D	CONTROL BOX ASSEMBLY	-	2A1122A03	1	-					
			2A2527-01		1					
D1	T2 SCREW	4x8	7P31-0408	3	3					
E	LABEL LOCATION	-	2A2003A01	1	-					
			2A2558A01		1					
F	TRANSFORMER BOX ASSEMBLY	-	3A1102A01	1	1					
F1	HEX HEAD BOLT W/WASHER (LF)	5x10	7B0130510	4	4					
1	EVAPORATOR CASE	-	2A1102G07	1	-					
			2A2100G02		1					
2	CONTROL BOX COVER	GS	3A0174-01	1	-					
			3A2386-01		1					
2A	T2 SCREW	4x8	7P31-0408	3	3					
3	SQUARE WASHER	BRASS	433537-02	1	1					
4	SCREW - GROUNDING	BRASS	433304-02	1	1					
5	BUSHING	SR-34-2	420472-05	1	1					
6	JUNCTION BOX COVER	GS	433410-01	1	1					
6A	T2 SCREW	4x8	7P31-0408	1	1					
7	BULB HOLDER	PE	328919-01	1	1					
8	SPACER	PE	443545-01	1	2					
8A	T2 SCREW	4x16, SS	7P32-0416	2	2					
9	BULB HOLDER (C)	ABS	325845G01	1	1					
9A	TRUSS HEAD SCREW	4x12, SS	7C32-0412	2	2					
10	BUSHING	EPDM	425307-01	1	1					
11	SPACER	ABS	439727-01	1	1					
12	BULB HOLDER (D)	ABS	215644G01	1	1					
13	FRONT PANEL - BRACKET	SS	323903-01	1	1					
13A	T2 SCREW	4x12, SS	7P32-0412	3	3					
14	SPACER	ABS	324321-01	1	1					
15	TOP INSULATION	ABS, PE	324216G01	1	1					
16	FRONT INSULATION	ABS, PE	326041G01	1	1					
17	THUMBSCREW	ABS, SS	415949G01	1	1					
18	SIDE PANEL (R)	SS	215381G02	1	1					
18A	TRUSS HEAD SCREW	4x8, SS	7C32-0408	3	3					
19	TOP PANEL	SS	2A2096-01	1	1					
19A	TRUSS HEAD SCREW	4x8, SS	7C32-0408	3	3					
20	FRONT PANEL	SS	3A1800G01	1	1					
20A	TRUSS HEAD SCREW	4x16, SS	7C32-0416	2	2					
21	BULB HOLDER (E)	GS	439725-01	1	1					
21A	TRUSS HEAD SCREW	4x12, SS	7C32-0412	2	2					
22	BULB HOLDER (F)	GS	328743-01	1	1					

Title: **A. Ice Cuber Assembly** Model: **KM-1800SAH3**

Index No.	Description	Material or Model Number	Part Number	Required Number									
				L-0	M-1 to Q-0								
23	BULB HOLDER (G)	GS	<a href="#">439726-01</a>	1	1								
23A	TRUSS HEAD SCREW	4x6, SS	<a href="#">7C32-0406</a>	2	2								
24	LOUVER (B)	PP	<a href="#">1A0548-01</a>	4	4								
24A	PUSH RETAINER	-	<a href="#">4A2414-01</a>	12	12								
25	AIR FILTER (B)	PP	<a href="#">2A2063G01</a>	4	4								

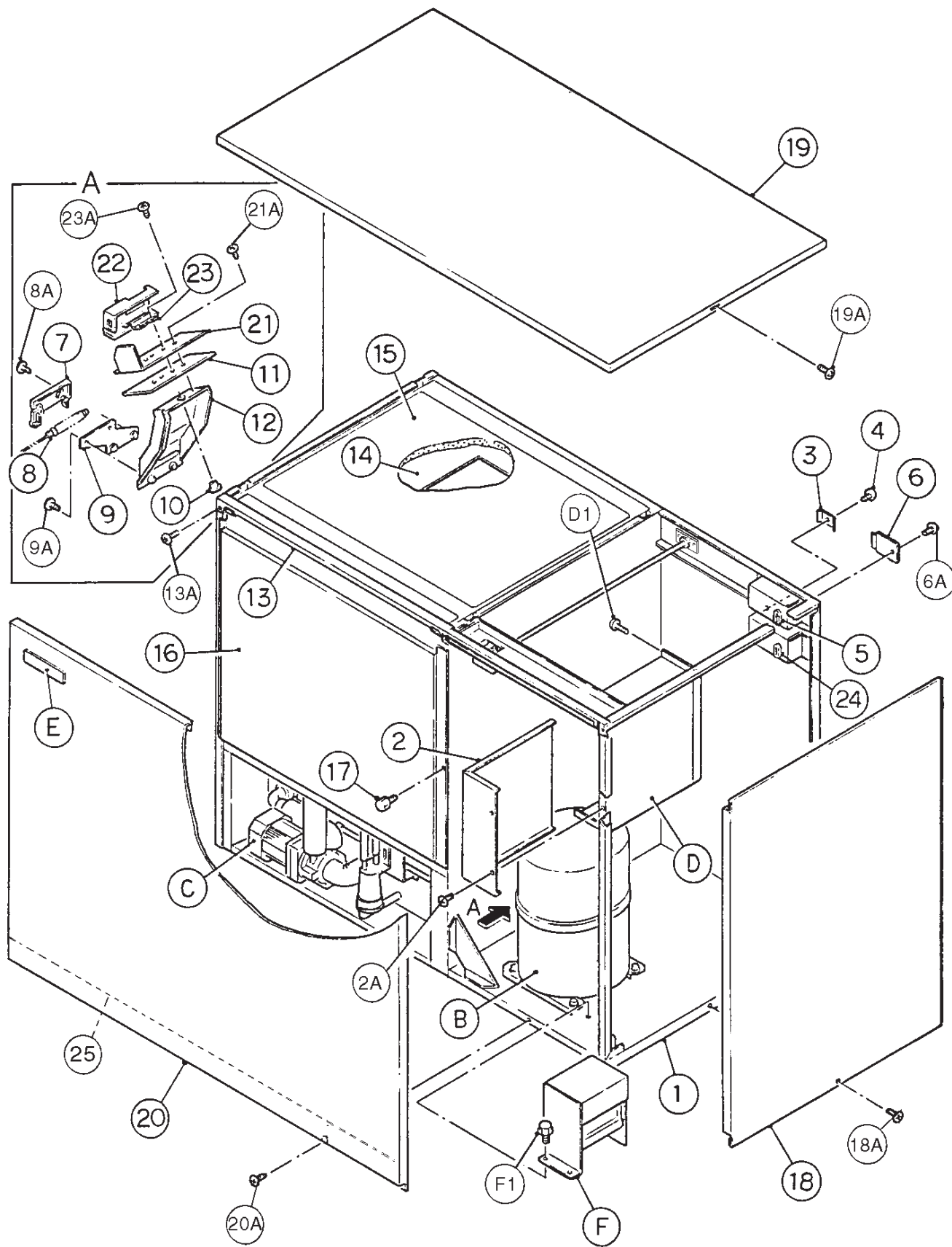
**A. Ice Cuber Assembly**  
**KM-1800SWH, KM-1800SWH3**  
 Q-0



Title: **A. Ice Cuber Assembly** Model: **KM-1800SWH, KM-1800SWH3**

Index No.	Description	Material or Model Number	Part Number	Required Number																
				Q-0																
B	REFRIGERATION CIRCUIT	KM-1800SWH	1A1069A01	1																
		KM-1800SWH3	1A1069A02	1																
C	WATER CIRCUIT	-	105122A05	1																
D	CONTROL BOX ASSEMBLY	-	2A2527A01	1																
D1	T2 SCREW	4x8	7P31-0408	3																
E	LABEL LOCATION	KM-1800SWH	2A3508A01	1																
		KM-1800SWH3	2A3509A01	1																
F	CAPACITOR BOX ASSEMBLY	KM-1800SWH	3A2054A02	1																
	TRANSFORMER BOX ASSEMBLY	KM-1800SWH3 HS-0126	3A1102A01	1																
F1	T2 SCREW	KM-1800SWH 4x8	7P31-0408	2																
	HEX HEAD BOLT W/WASHER (LF)	KM-1800SWH3 5x10	7B0130510	4																
1	EVAPORATOR CASE	-	2A2100G04	1																
2	CONTROL BOX COVER	GS	3A2386-01	1																
2A	T2 SCREW	4x8	7P31-0408	3																
3	SQUARE WASHER	BRASS	433537-02	1																
4	SCREW - GROUNDING	BRASS	433304-02	1																
5	BUSHING	SR-34-2	420472-05	1																
6	JUNCTION BOX COVER	GS	433410-01	1																
6A	T2 SCREW	4x8	7P31-0408	2																
7	BULB HOLDER	PE	328919-01	1																
8	SPACER	PE	443545-01	2																
8A	T2 SCREW	4x16, SS	7P32-0416	2																
9	BULB HOLDER (C)	ABS	325845G01	1																
9A	TRUSS HEAD SCREW	4x12, SS	7C32-0412	2																
10	BUSHING	EPDM	425307-01	1																
11	SPACER	ABS	439727-01	1																
12	BULB HOLDER (D)	ABS	215644G01	1																
13	FRONT PANEL - BRACKET	SS	323903-01	1																
13A	T2 SCREW	4x12, SS	7P32-0412	3																
14	SPACER	ABS	324321-01	1																
15	TOP INSULATION	ABS, PE	324216G01	1																
16	FRONT INSULATION	ABS, PE	326041G01	1																
17	THUMBSCREW	ABS, SS	415949G12	1																
18	SIDE PANEL (R)	SS	215381G02	1																
18A	TRUSS HEAD SCREW	4x8, SS	7C32-0408	3																
19	TOP PANEL	SS	2A2255-01	1																
19A	TRUSS HEAD SCREW	4x8, SS	7C32-0408	3																
20	FRONT PANEL	SS	3A1838G01	1																
20A	TRUSS HEAD SCREW	4x16, SS	7C32-0416	2																
21	BULB HOLDER (E)	GS	439725-01	1																
21A	TRUSS HEAD SCREW	4x12, SS	7C32-0412	2																
22	BULB HOLDER (F)	GS	328743-01	1																
23	BULB HOLDER (G)	GS	439726-01	1																
23A	TRUSS HEAD SCREW	4x6, SS	7C32-0406	2																
24	GASKET	L=1219	4A0808L02	1																

**A. Ice Cuber Assembly**  
**KM-1800SRH, KM-1800SRH3**  
 Q-0



Title: **A. Ice Cuber Assembly** Model: **KM-1800SRH, KM-1800SRH3**

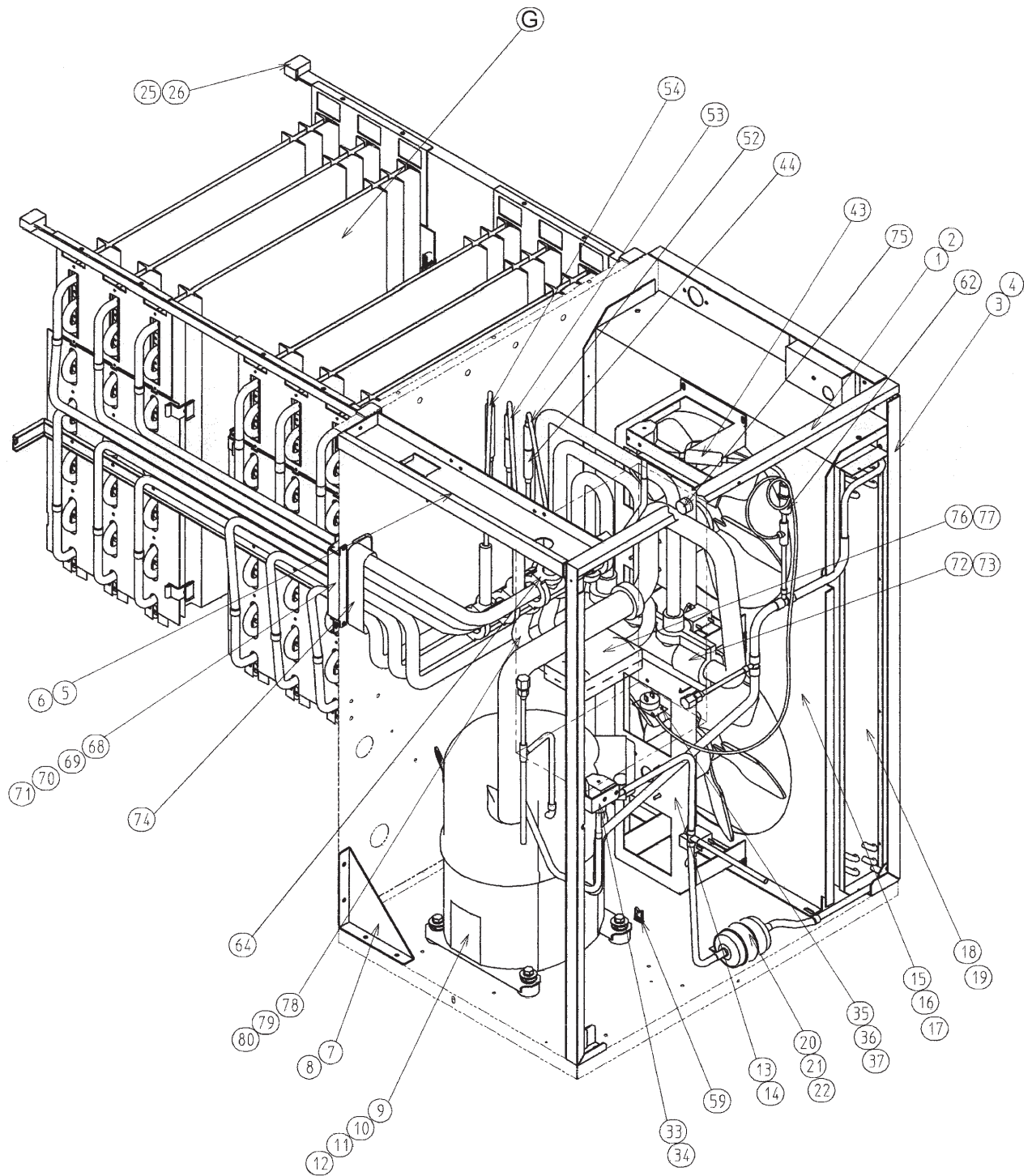
Index No.	Description	Material or Model Number	Part Number	Required Number																
				Q-0																
B	REFRIGERATION CIRCUIT	<b>KM-1800SRH</b>	1A1045A01	1																
		<b>KM-1800SRH3</b>	1A1045A02																	
C	WATER CIRCUIT	-	105122A05	1																
D	CONTROL BOX ASSEMBLY	-	2A2527A01	1																
D1	T2 SCREW	4x8	7P31-0408	3																
E	LABEL LOCATION	<b>KM-1800SRH</b>	2A3421A01	1																
		<b>KM-1800SRH3</b>	2A3400A01																	
F	CAPACITOR BOX ASSEMBLY	<b>KM-1800SRH</b>	3A2054A02	1																
	TRANSFORMER BOX ASSEMBLY	<b>KM-1800SRH3</b> HS-0126	3A1102A01	1																
F1	T2 SCREW	<b>KM-1800SRH</b> 4x8	7P31-0408	2																
	HEX HEAD BOLT W/WASHER (LF)	<b>KM-1800SRH3</b> 5x10	7B0130510	4																
1	EVAPORATOR CASE	-	2A2100G02	1																
2	CONTROL BOX COVER	GS	3A2386-01	1																
2A	T2 SCREW	4x8	7P31-0408	3																
3	SQUARE WASHER	BRASS	433537-02	2																
4	SCREW - GROUNDING	BRASS	433304-02	2																
5	BUSHING	SR-34-2	420472-05	1																
6	JUNCTION BOX COVER	GS	433410-01	2																
6A	T2 SCREW	4x8	7P31-0408	2																
7	BULB HOLDER	PE	328919-01	1																
8	SPACER	PE	443545-01	2																
8A	T2 SCREW	4x16, SS	7P32-0416	2																
9	BULB HOLDER (C)	ABS	325845G01	1																
9A	TRUSS HEAD SCREW	4x12, SS	7C32-0412	2																
10	BUSHING	EPDM	425307-01	1																
11	SPACER	ABS	439727-01	1																
12	BULB HOLDER (D)	ABS	215644G01	1																
13	FRONT PANEL - BRACKET	SS	323903-01	1																
13A	T2 SCREW	4x12, SS	7P32-0412	3																
14	SPACER	ABS	324321-01	1																
15	TOP INSULATION	ABS, PE	324216G01	1																
16	FRONT INSULATION	ABS, PE	326041G01	1																
17	THUMBSCREW	ABS, SS	415949G12	1																
18	SIDE PANEL (R)	SS	215381G02	1																
18A	TRUSS HEAD SCREW	4x8, SS	7C32-0408	3																
19	TOP PANEL	SS	2A2255-01	1																
19A	TRUSS HEAD SCREW	4x8, SS	7C32-0408	3																
20	FRONT PANEL	SS	3A1838G01	1																
20A	TRUSS HEAD SCREW	4x16, SS	7C32-0416	2																
21	BULB HOLDER (E)	GS	439725-01	1																
21A	TRUSS HEAD SCREW	4x12, SS	7C32-0412	2																
22	BULB HOLDER (F)	GS	328743-01	1																
23	BULB HOLDER (G)	GS	439726-01	1																
23A	TRUSS HEAD SCREW	4x6, SS	7C32-0406	2																
24	BUSHING	SR-30-1	420472-03	1																
25	GASKET	L=1219	4A0808L02	1																

## B. Refrigeration Circuit

1/2

### KM-1800SAH, KM-1800SAH3

L-0, M-0, M-1, N-0, N-1, P-0, P-1, Q-0



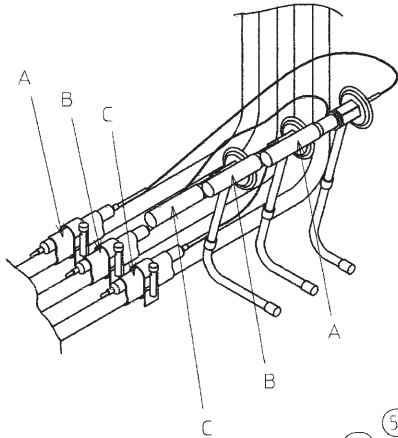


## B. Refrigeration Circuit

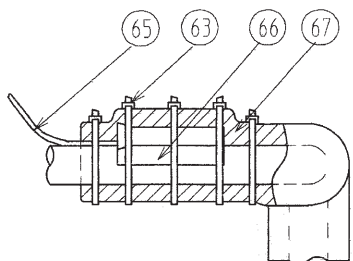
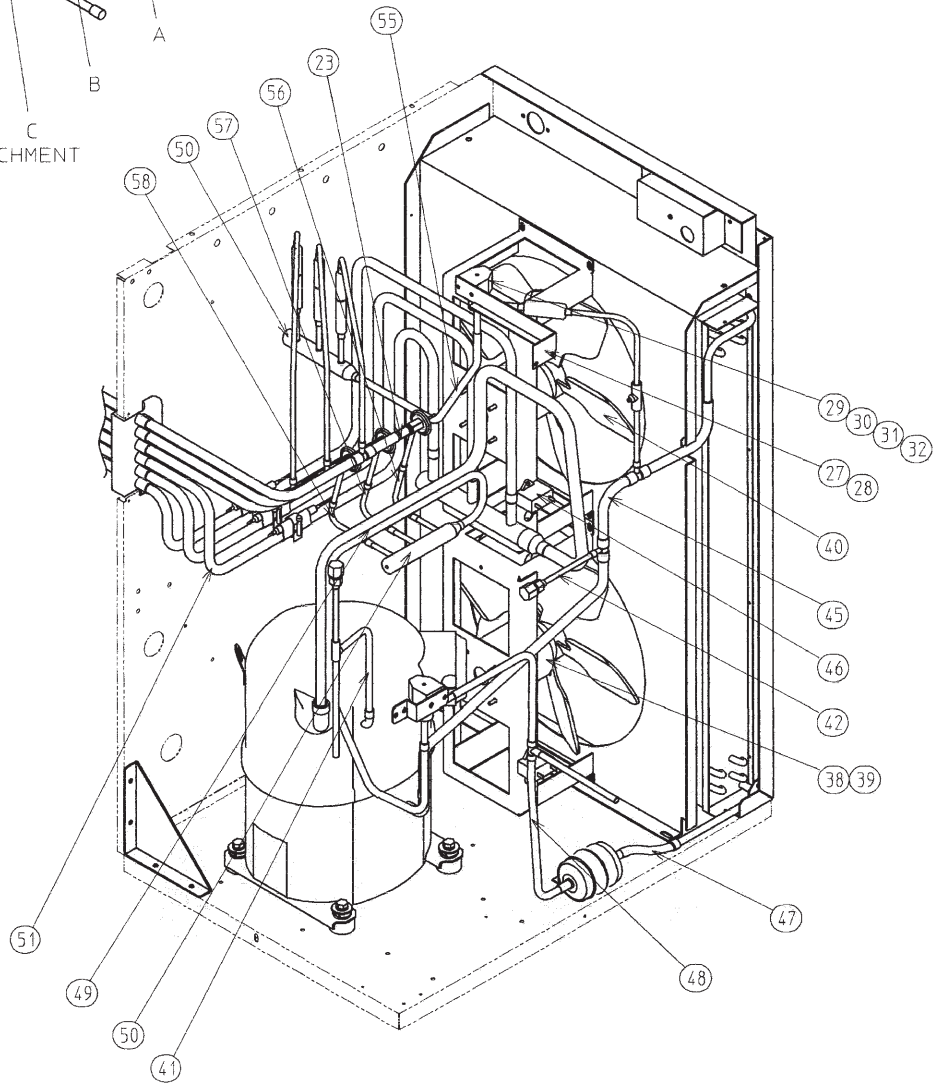
2/2

### KM-1800SAH, KM-1800SAH3

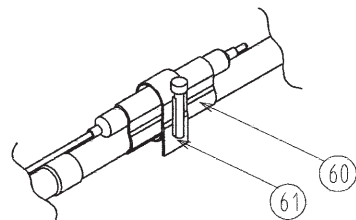
L-0, M-0, M-1, N-0, N-1, P-0, P-1, Q-0



DETAIL BULB ATTACHMENT



DETAILED THERMISTOR ATTACHMENT



DETAILED EXPANSION VALVE  
BULB HOLDER

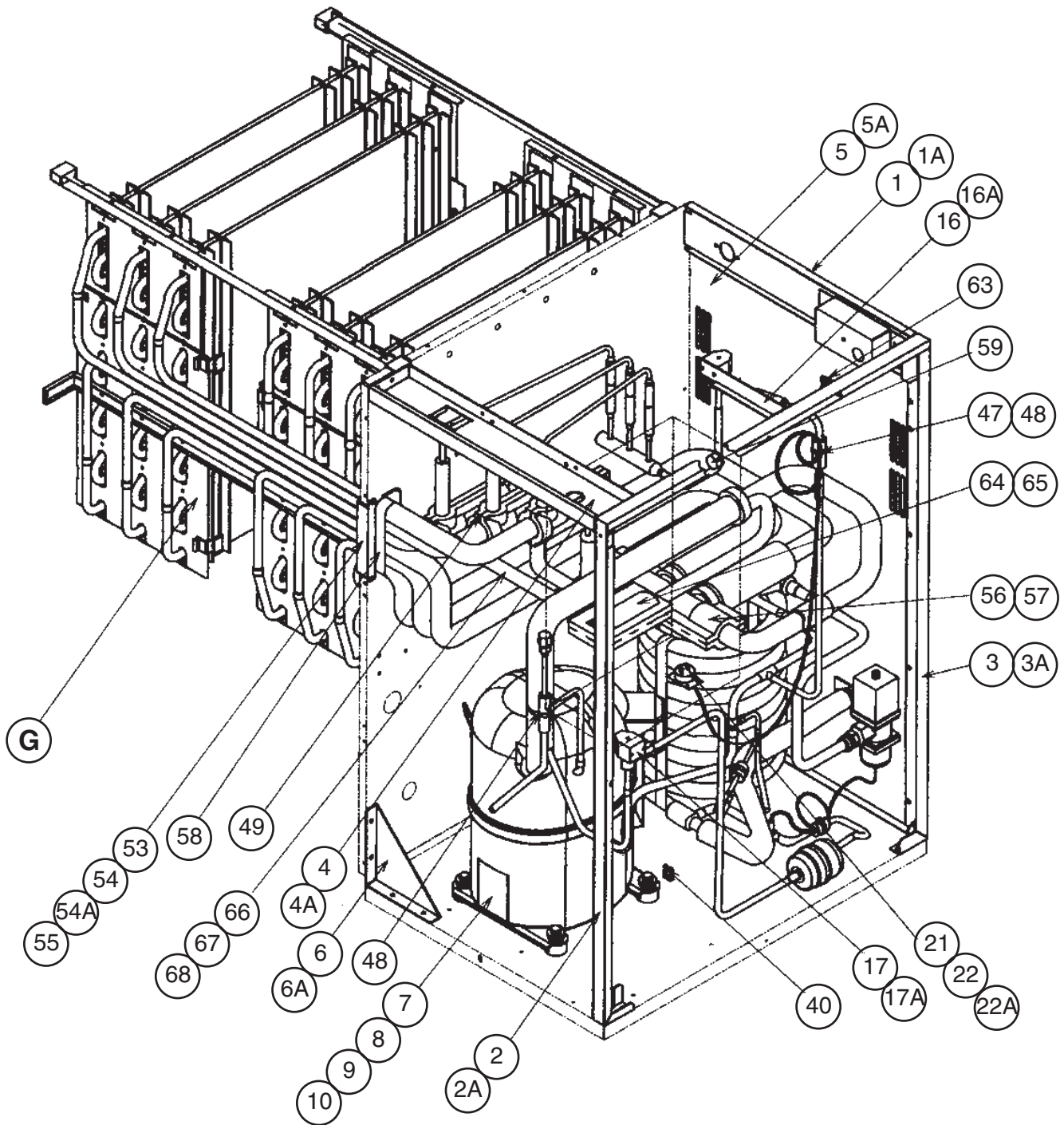


Title: <b>B. Refrigeration Circuit</b> Model: <b>KM-1800SAH, KM-1800SAH3</b>										
Index No.	Description	Material or Model Number	Part Number	Required Number						
				L-0 M-0	M-1 to P-0	P-1 Q-0				
G	EVAPORATOR	-	105103A01	1	1	1				
1	SIDE FRAME (A)	GS	215375G01	1	1	1				
2	T2 SCREW	4x8	7P31-0408	3	3	3				
3	SIDE FRAME (B)	GS	215376G01	1	1	1				
4	T2 SCREW	4x8	7P31-0408	4	4	4				
5	FRONT FRAME	GS	325857-01	1	1	1				
6	T2 SCREW	4x8	7P31-0408	4	4	4				
7	BRACE	GS	325858-01	1	1	1				
8	T2 SCREW	4x8	7P31-0408	4	4	4				
9	COMPRESSOR	KM-1800SAH CS18K6E- PFV-237	4A2334-01	1	1	1				
		KM-1800SAH3 CS18K6E- TF5-237	4A2330-01	1	1	1				
10	BOLT	8x45	437889-01	4	4	4				
11	GROMMET	027-0167-00	434922-01	4	4	4				
12	SPACER	028-0188-02	434921-01	4	4	4				
13	FAN MOTOR BRACKET	GS	2A1979-01	2	2	2				
14	HEX HEAD BOLT W/WASHER (LF)	5x10	7N2100832	8	8	8				
15	SHROUD	GS	2A2021G01	1	1	1				
16	T2 SCREW	4x8	7P31-0408	2	2	2				
17	HEX HEAD BOLT W/WASHER (LF)	5x10	7N2100832	2	2	2				
18	CONDENSER	-	2A1991-01	1	1	1				
19	T2 SCREW	4x8	7P31-0408	2	2	2				
20	DRIER	CW-053-S	4A1461-01	1	-					
		-	4A2663-01		1	1				
21	DRIER BRACKET	GS	445251-01	1	-					
	NYLON TIE	-	8911-0301		1	1				
22	T2 SCREW	4x8	7P31-0408	1	-					
23	EXPANSION VALVE	HFE-10NHD-2	4A1414-01	3	3	3				
24	-	-	-							
25	FRAME SEAL	EPDM	323925-01	4	4	4				
26	T2 SCREW	4x12, SS	7P32-0412	6	6	6				
27	HOT GAS VALVE BRACKET	GS	442162-01	1	1	1				
28	T2 SCREW	4x8	7P31-0408	2	2	2				
29	VALVE BODY	70	440352-01	2	2	2				
30	COIL - VALVE	ABS-25-1- HD-2	440353-01	2	2	2				
31	BOLT	4x6	440353F01	2	2	2				
32	TRUSS HEAD SCREW	4x8	7C31-0408	4	4	4				
33	LINE VALVE BRACKET	GS	4A1406-01	1	1	1				
34	T2 SCREW	4x8	7P31-0408	2	2	2				
35	PRESSURE SWITCH	ACB-1UB09	433441-07	1	1	1				

Title: <b>B. Refrigeration Circuit</b> Model: <b>KM-1800SAH, KM-1800SAH3</b>												
Index No.	Description	Material or Model Number	Part Number	Required Number								
				L-0 M-0	M-1 to P-0	P-1 Q-0						
36	PRESSURE SWITCH BRCKT.	GS	<a href="#">434938-01</a>	1	1	1						
37	T2 SCREW	4x8	<a href="#">7P31-0408</a>	1	1	1						
38	FAN MOTOR	U90B1 7190-1031	440911-01	2	2	-						
		5KCP84DFK148S	<a href="#">4A3158-01</a>			2						
39	SELF-LOCKING NUT	NO. 8-32	<a href="#">7N21I0832</a>	8	8	8						
40	FAN BLADE	-	<a href="#">4A0197-01</a>	2	2	2						
41	COPPER TUBE - ACCESS VALVE	COPPER	4A1497G01	1	1	1						
42	ACCESS VALVE	-	<a href="#">457729-01</a>	2	2	2						
43	STRAINER	-	<a href="#">441569-02</a>	1	1	1						
44	CHECK VALVE	SKC 30564	<a href="#">4A1373-01</a>	3	3	3						
45	COPPER TUBE (A) - HIGH SIDE	COPPER	2A1998G01	1	1	1						
46	CAPACITOR	5MFD-250VAC	<a href="#">443192-02</a>	2	2	2						
47	COPPER TUBE (E) - HIGH SIDE	COPPER	4A2322-01	1	-							
			3A2334G01		1	1						
48	COPPER TUBE (F) - HIGH SIDE	COPPER	3A1798G01	1	1	1						
49	HEAT EXCHANGER	-	1A0535G01	1	1	1						
50	HEADER - S	750489	<a href="#">441038-01</a>	2	2	2						
51	COPPER TUBE - LOW SIDE	COPPER	1A0534G01	1	1	1						
52	COPPER TUBE (A) - LOW SIDE	COPPER	2A1986G01	1	1	1						
53	COPPER TUBE (B) - LOW SIDE	COPPER	2A1987G01	1	1	1						
54	COPPER TUBE (C) - LOW SIDE	COPPER	2A1988G01	1	1	1						
55	COPPER TUBE - HOT GAS	COPPER	4A2309-01	1	1	1						
56	COPPER TUBE (A) - EXP. VALVE	COPPER	4A2312-01	1	1	1						
57	COPPER TUBE (B) - EXP. VALVE	COPPER	4A2313-01	1	1	1						
58	COPPER TUBE (C) - EXP. VALVE	COPPER	4A2314-01	1	1	1						
59	WIRE SADDLE	-	<a href="#">4A0338-02</a>	3	3	3						
60	HOLDER/EXPANSION VALVE	8-Mar	<a href="#">3A0107-01</a>	3	3	3						
61	CLAMP	-	<a href="#">443461-01</a>	3	3	3						
62	INSULATION TUBE	L=40	<a href="#">7762-1020</a>	1	1	1						
63	CABLE TIE	CV-200	7920-0010	11	11	11						
64	EXPANSION VALVE COVER	-	<a href="#">3A0944-01</a>	3	3	3						
65	THERMISTOR	-	<a href="#">429006-03</a>	1	1	1						
66	HOLDER - THERMISTOR	-	<a href="#">438247-01</a>	1	1	1						
67	INSULATION - THERMISTOR	-	<a href="#">427441-01</a>	1	1	1						
68	RUBBER INSULATION (A)	-	<a href="#">325864-01</a>	1	1	1						
69	RUBBER INSULATION (B)	-	<a href="#">325865-01</a>	1	1	1						
70	INSULATION HOLDER	-	<a href="#">325863-01</a>	1	1	1						

Title: <b>B. Refrigeration Circuit</b> Model: <b>KM-1800SAH, KM-1800SAH3</b>											
Index No.	Description	Material or Model Number	Part Number	Required Number							
				L-0 M-0	M-1 to P-0	P-1 Q-0					
71	T2 SCREW	4x8, SS	<a href="#">7P32-0408</a>	4	4	4					
72	HEAD COVER (B1)	-	<a href="#">325862-01</a>	1	1	1					
73	HEAD COVER (B2)	-	<a href="#">325862-02</a>	1	1	1					
74	INSULATION	-	<a href="#">436671-02</a>	1	1	1					
75	BUSHING	OCB-500	<a href="#">428394-02</a>	1	1	1					
76	HEADER COVER (A1)	-	<a href="#">325861-01</a>	1	1	1					
77	HEADER COVER (A2)	-	<a href="#">325861-02</a>	1	1	1					
78	INSULATION TUBE	L=125	<a href="#">7762-1020</a>	1	1	1					
79	INSULATION TUBE	L=125	<a href="#">7762-1020</a>	1	1	1					
80	INSULATION TUBE	L=125	<a href="#">7762-1020</a>	1	1	1					

**B. Refrigeration Circuit**  
**1/2**  
**KM-1800SWH, KM-1800SWH3**  
 Q-0

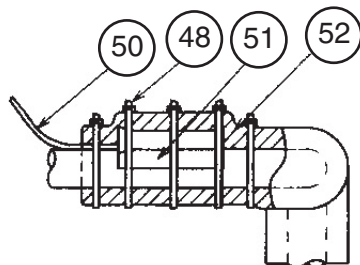
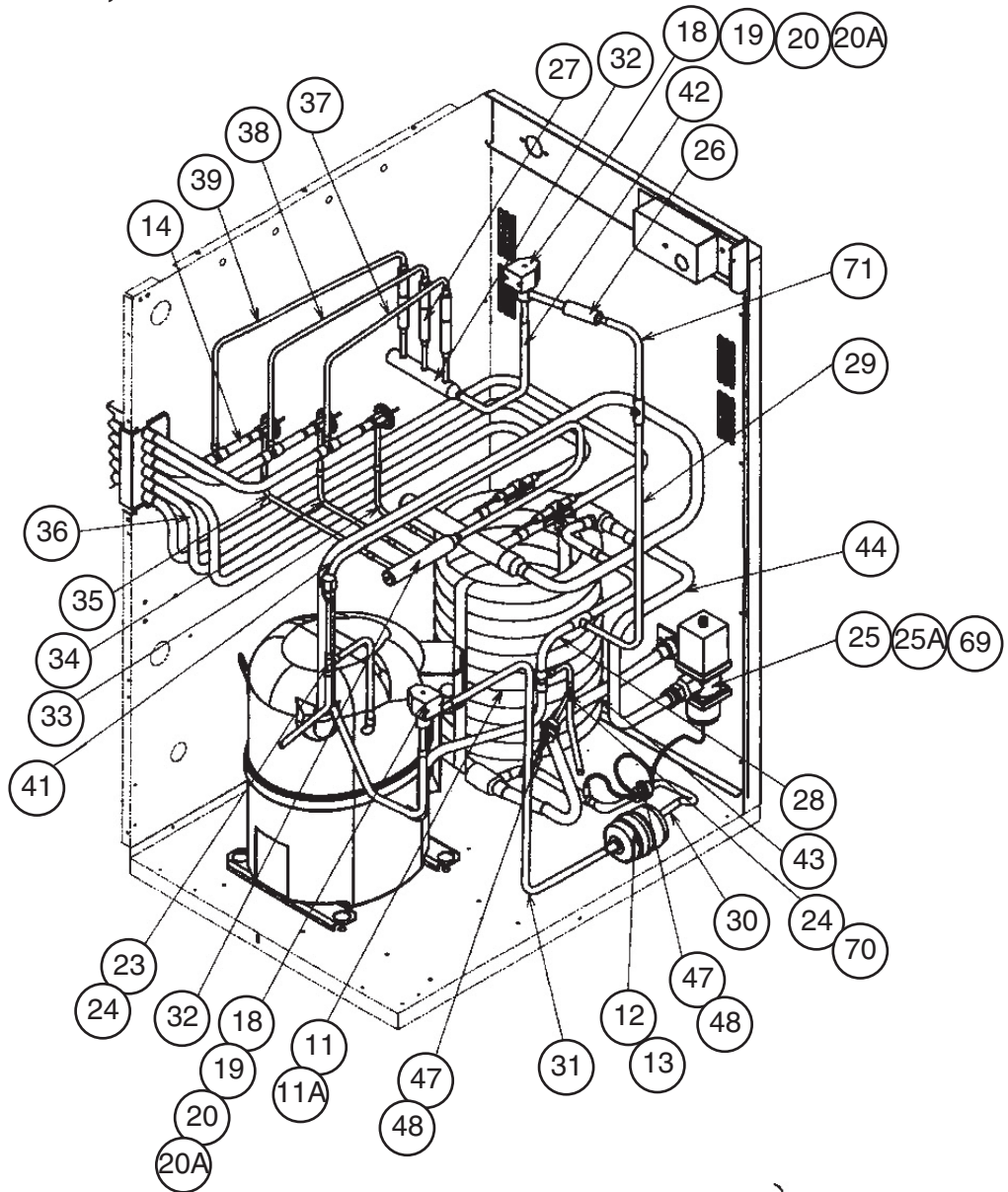


## B. Refrigeration Circuit

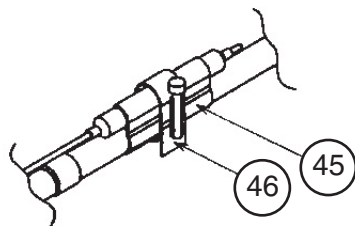
2/2

KM-1800SWH, KM-1800SWH3

Q-0



DETAILED THERMISTOR ATTACHMENT



DETAILED EXPANSION VALVE  
BULB HOLDER

Title: **B. Refrigeration Circuit** Model: **KM-1800SWH, KM-1800SWH3**

Index No.	Description	Material or Model Number	Part Number	Required Number																
				Q-0																
G	EVAPORATOR	-	105103A01	1																
1	REAR FRAME	GS	439285G04	1																
1A	T2 SCREW	4x8	7P31-0408	2																
2	SIDE FRAME (A)	GS	215375G01	1																
2A	T2 SCREW	4x8	7P31-0408	3																
3	SIDE FRAME (B)	GS	215376G01	1																
3A	T2 SCREW	4x8	7P31-0408	4																
4	FRONT FRAME	GS	325857-01	1																
4A	T2 SCREW	4x8	7P31-0408	4																
5	REAR PANEL	GS	2A1112-01	1																
5A	T2 SCREW	4x8	7P31-0408	10																
6	BRACE	GS	325858-01	1																
6A	T2 SCREW	4x8	7P31-0408	4																
7	COMPRESSOR	KM-1800SWH CS18-K6E-PFV-237	4A2334-01	1																
		KM-1800SWH3 CS18-K6E-TF5-237	4A2330-01	1																
8	GROMMET	027-0167-00	434922-01	4																
9	SPACER	028-0188-02	434921-01	4																
10	BOLT	8x45	437889-01	4																
11	CONDENSER - WATER-COOLED	-	2A2359G05	1																
11A	HEX HEAD BOLT W/WASHER (LF)	5x12	7B0130512	2																
12	DRIER	-	4A2663-01	1																
13	NYLON TIE	-	8911-0301	1																
14	EXP. VALVE	HFE-10NHD-2	4A1414-01	3																
15	FRAME SEAL	EPDM	323925-01	4																
15A	T2 SCREW	4x12, SS	7P32-0412	6																
16	HOT GAS VALVE BRACKET	GS	442162-01	1																
16A	T2 SCREW	4x8	7P31-0408	2																
17	LINE VALVE BRACKET	GS	4A1406-01	1																
17A	T2 SCREW	4x8	7P31-0408	2																
18	VALVE BODY	70	440352-01	2																
19	COIL - VALVE	ABS-25-1-HD-2	440353-01	2																
20	BOLT	4x6	440353F01	2																
20A	TRUSS HEAD SCREW	4x8	7C31-0408	4																
21	PRESSURE SWITCH	ACB-2UB04	433441-05	1																
22	PRESSURE SWITCH BRACKET	GS	434938-01	1																
22A	T2 SCREW	4x8	7P31-0408	1																
23	COPPER TUBE - ACCESS VALVE	COPPER	4A1497G01	1																
24	ACCESS VALVE	-	457729-01	2																
25	WATER REGULATOR	V46EB-20D	4A1417-01	1																
25A	TRUSS HEAD SCREW	4x6	7C31-0406	2																
26	STRAINER	-	441569-02	1																
27	CHECK VALVE	SKC 30564	4A1373-01	3																

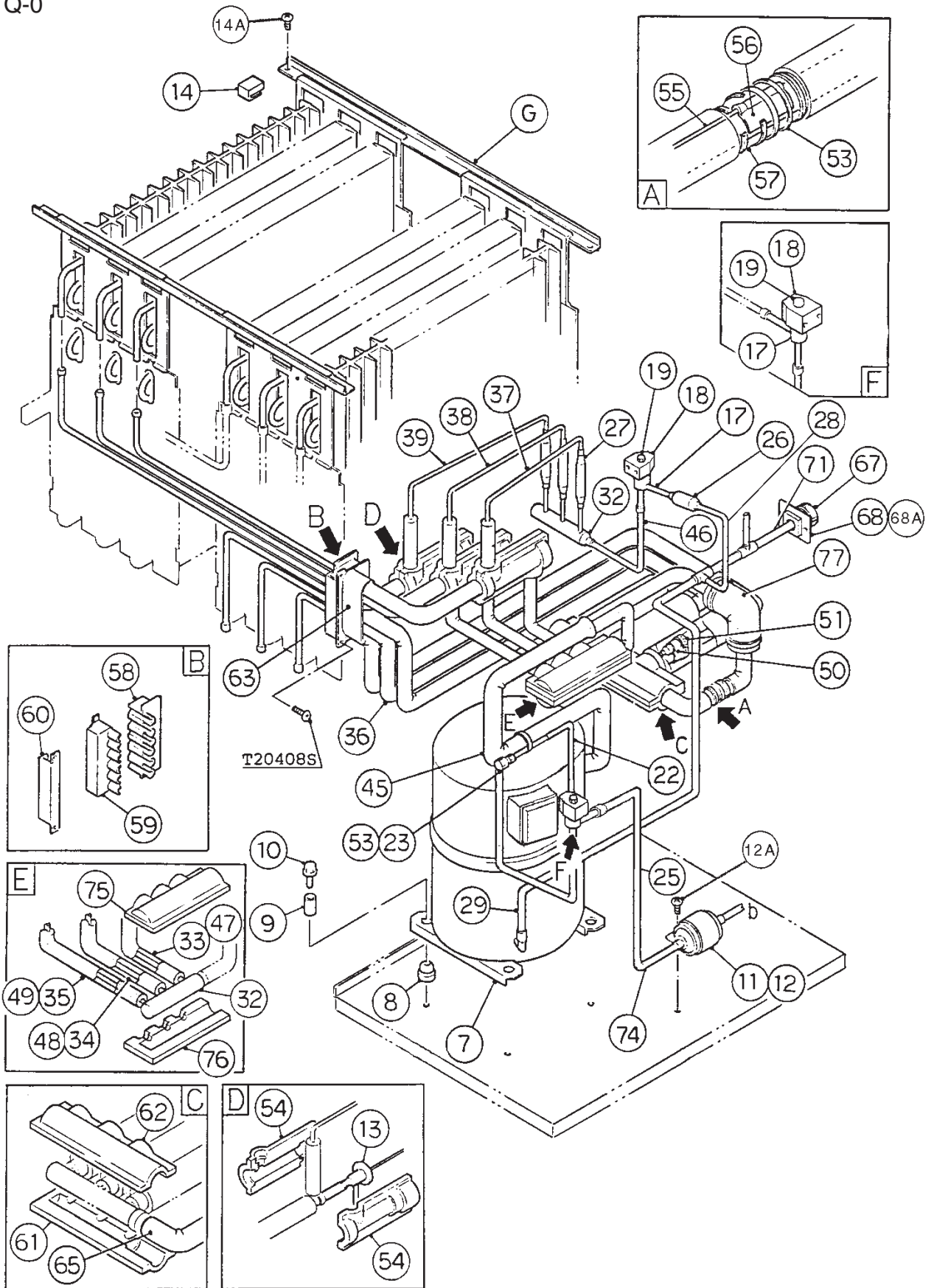
Title: <b>B. Refrigeration Circuit</b> Model: <b>KM-1800SWH, KM-1800SWH3</b>												
Index No.	Description	Material or Model Number	Part Number	Required Number								
				Q-0								
28	COPPER TUBE (A) - HIGH SIDE	COPPER	2A2481G01	1								
29	COPPER TUBE (B) - HIGH SIDE	COPPER	3A2344-01	1								
30	COPPER TUBE (C) - HIGH SIDE	COPPER	4A2763G01	1								
31	COPPER TUBE (F) - HIGH SIDE	COPPER	3A2343-01	1								
32	HEADER - S	750489	<a href="#">441038-01</a>	2								
33	COPPER TUBE (A) - EXP. VALVE	COPPER	4A1464-01	1								
34	COPPER TUBE (B) - EXP. VALVE	COPPER	4A1465-01	1								
35	COPPER TUBE (C) - EXP. VALVE	COPPER	4A1466-01	1								
36	COPPER TUBE - LOW SIDE	COPPER	106803G01	1								
37	COPPER TUBE (A) - LOW SIDE	COPPER	2A1108-01	1								
38	COPPER TUBE (B) - LOW SIDE	COPPER	2A1109-01	1								
39	COPPER TUBE (C) - LOW SIDE	COPPER	2A1110G01	1								
40	WIRE SADDLE	-	4A0448-02	3								
41	HEAT EXCHANGER	COPPER	1A0235G01	1								
42	COPPER TUBE - HOT GAS	COPPER	4A1463-01	1								
43	COPPER TUBE (A)	COPPER	<a href="#">3A2315G01</a>	1								
44	COPPER TUBE (B)	COPPER	<a href="#">4A2762G01</a>	1								
45	HOLDER / EXP. VALVE - 3/8	SS	<a href="#">3A0107-01</a>	3								
46	CLAMP	SS	<a href="#">443461-01</a>	3								
47	INSULATION TUBE	L=40	<a href="#">7762-1020</a>	3								
48	CABLE TIE	CV-200	7920-0010	14								
49	EXP. VALVE COVER	PE FOAM	<a href="#">3A0944-01</a>	3								
50	THERMISTOR	-	<a href="#">429006-03</a>	1								
51	HOLDER - THERMISTOR	COPPER	<a href="#">438247-01</a>	1								
52	INSULATION - THERMISTOR	PE FOAM	<a href="#">427441-01</a>	1								
53	RUBBER INSULATION (A)	EPDM	<a href="#">325864-01</a>	1								
54	RUBBER INSULATION (B)	EPDM	<a href="#">325865-01</a>	1								
54A	T2 SCREW	4x8, SS	<a href="#">7P32-0408</a>	2								
55	INSULATION HOLDER	SS	<a href="#">325863-01</a>	1								
56	HEADER COVER (B1)	PE FOAM	<a href="#">325862-01</a>	1								
57	HEADER COVER (B2)	PE FOAM	<a href="#">325862-02</a>	1								
58	INSULATION	PE FOAM	<a href="#">436671-02</a>	1								
59	BUSHING	OCB-500	<a href="#">428394-02</a>	1								
60	-	-	-	-								
61	-	-	-	-								
62	-	-	-	-								
63	CLAMP	-	<a href="#">4A2338-01</a>	1								
64	HEADER COVER (A1)	-	<a href="#">325861-01</a>	1								

Title: **B. Refrigeration Circuit** Model: **KM-1800SWH, KM-1800SWH3**

Index No.	Description	Material or Model Number	Part Number	Required Number											
				Q-0											
65	HEADER COVER (A2)	-	<a href="#">325861-02</a>	1											
66	INSULATION TUBE	L=239	<a href="#">7762-1020</a>	1											
67	INSULATION TUBE	L=284	<a href="#">7762-1020</a>	1											
68	INSULATION TUBE	L=328	<a href="#">7762-1020</a>	1											
69	MALE CONNECTOR	-	445180-01	1											
70	COPPER TUBE (J) – HIGH SIDE	COPPER	3A1105G01	1											
71	COPPER TUBE (M) – HIGH SIDE	-	4A2898G01	1											



**B. Refrigeration Circuit**  
**1/2**  
**KM-1800SRH, KM-1800SRH3**  
 Q-0

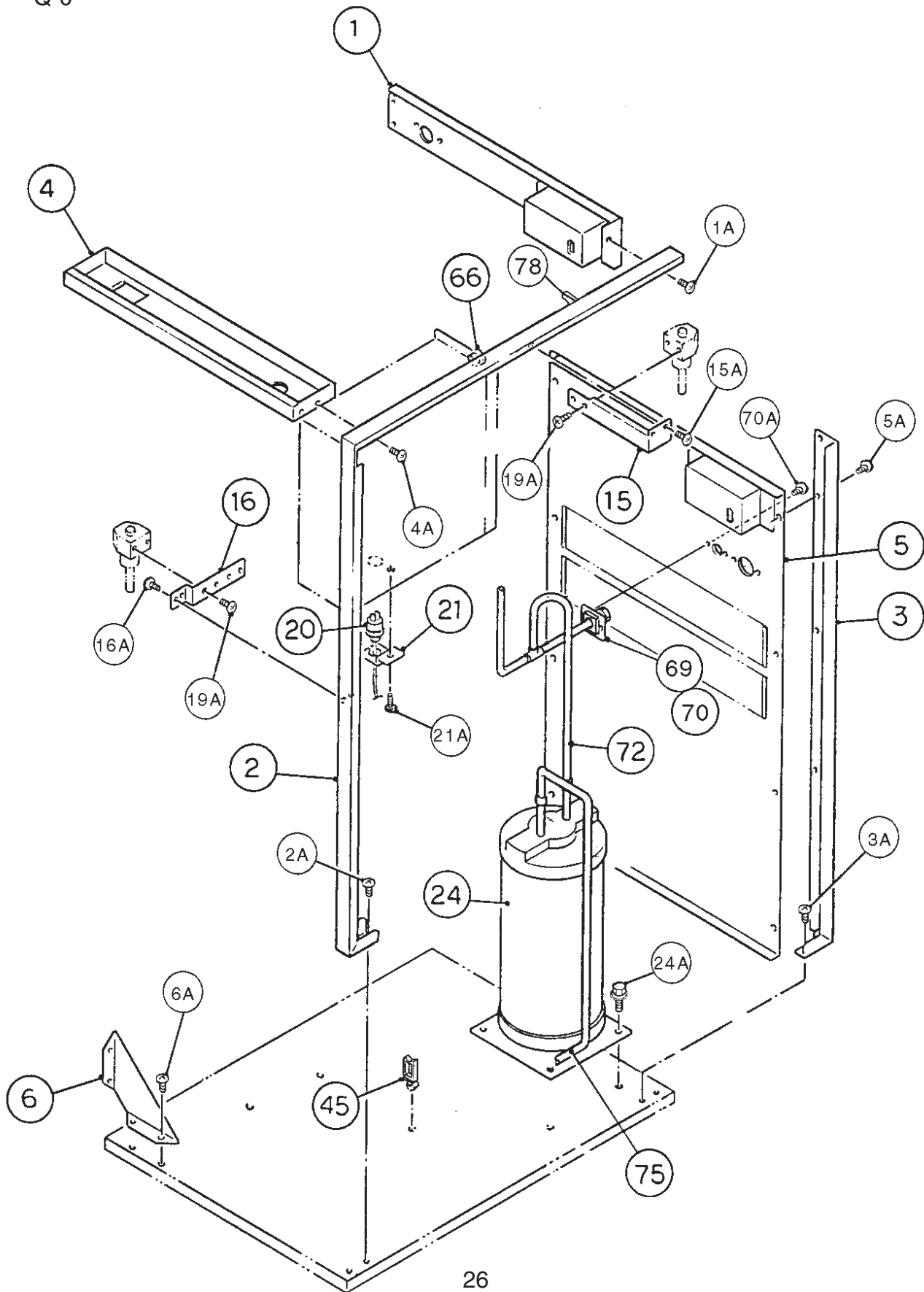


# B. Refrigeration Circuit

2/2

KM-1800SRH, KM-1800SRH3

Q-0



Title: **B. Refrigeration Circuit** Model: **KM-1800SRH, KM-1800SRH3**

Index No.	Description	Material or Model Number	Part Number	Required Number																	
				Q-0																	
G	EVAPORATOR	-	105103A01	1																	
1	REAR FRAME	GS	439285G04	1																	
1A	T2 SCREW	4x8	7P31-0408	2																	
2	SIDE FRAME (A)	GS	215375G01	1																	
2A	T2 SCREW	4x8	7P31-0408	3																	
3	SIDE FRAME (B)	GS	215376G01	1																	
3A	T2 SCREW	4x8	7P31-0408	4																	
4	FRONT FRAME	GS	325857-01	1																	
4A	T2 SCREW	4x8	7P31-0408	4																	
5	REAR PANEL	GS	215378G01	1																	
5A	T2 SCREW	4x8	7P31-0408	10																	
6	BRACE	GS	325858-01	1																	
7	COMPRESSOR	KM-1800SRH CS18-K6E-PVF-279	4A2334-02	1																	
		KM-1800SRH3 CS18-K6E-TFS-279	4A2330-02	1																	
8	GROMMET	027-0167-00	434922-01	4																	
9	SPACER	028-0188-02	434921-01	4																	
10	BOLT	8x45	437889-01	4																	
11	DRIER	C-053-S	4A2663-01	1																	
12	NYLON TIE	-	8911-0301	1																	
13	EXPANSION VALVE	HFE-10NHD-1	4A1414-01	3																	
14	FRAME SEAL	EPDM	323925-01	4																	
14A	TRUSS HEAD SCREW	4x12, SS	7C32-0412	6																	
15	HOT GAS VALVE BRACKET	GS	442162-01	1																	
15A	T2 SCREW	4x8	7P31-0408	2																	
16	LINE VALVE BRACKET	GS	4A1406-01	1																	
16A	T2 SCREW	4x8	7P31-0408	2																	
17	VALVE BODY	70	440352-01	2																	
18	COIL - VALVE	ABS-25-1-HD-2	440353-01	2																	
19	BOLT	4x6	440353F01	2																	
19A	TRUSS HEAD SCREW	4x8	7C310408	4																	
20	PRESSURE SWITCH	ACB-1UB09	433441-07	1																	
21	PRESSURE SWITCH BRACKET	GS	434938-01	1																	
21A	T2 SCREW	4x8	7P31-0408	1																	
22	COPPER TUBE - ACCESS VALVE	COPPER	4A1497G01	1																	
23	ACCESS VALVE	-	457729-01	1																	
24	RECEIVER	RR MN WP450	438209-01	1																	
24A	HEX HEAD BOLT W/WASHER (LF)	5x10	7B0130510	3																	
25	COPPER TUBE - CAPILLARY	COPPER	445174G01	1																	
26	STRAINER	-	441569-02	1																	
27	CHECK VALVE	YCV5-2	425342-01	1																	
28	COPPER TUBE (A) - HIGH SIDE	COPPER	2A0527G02	1																	

Title: **B. Refrigeration Circuit** Model: **KM-1800SRH, KM-1800SRH3**

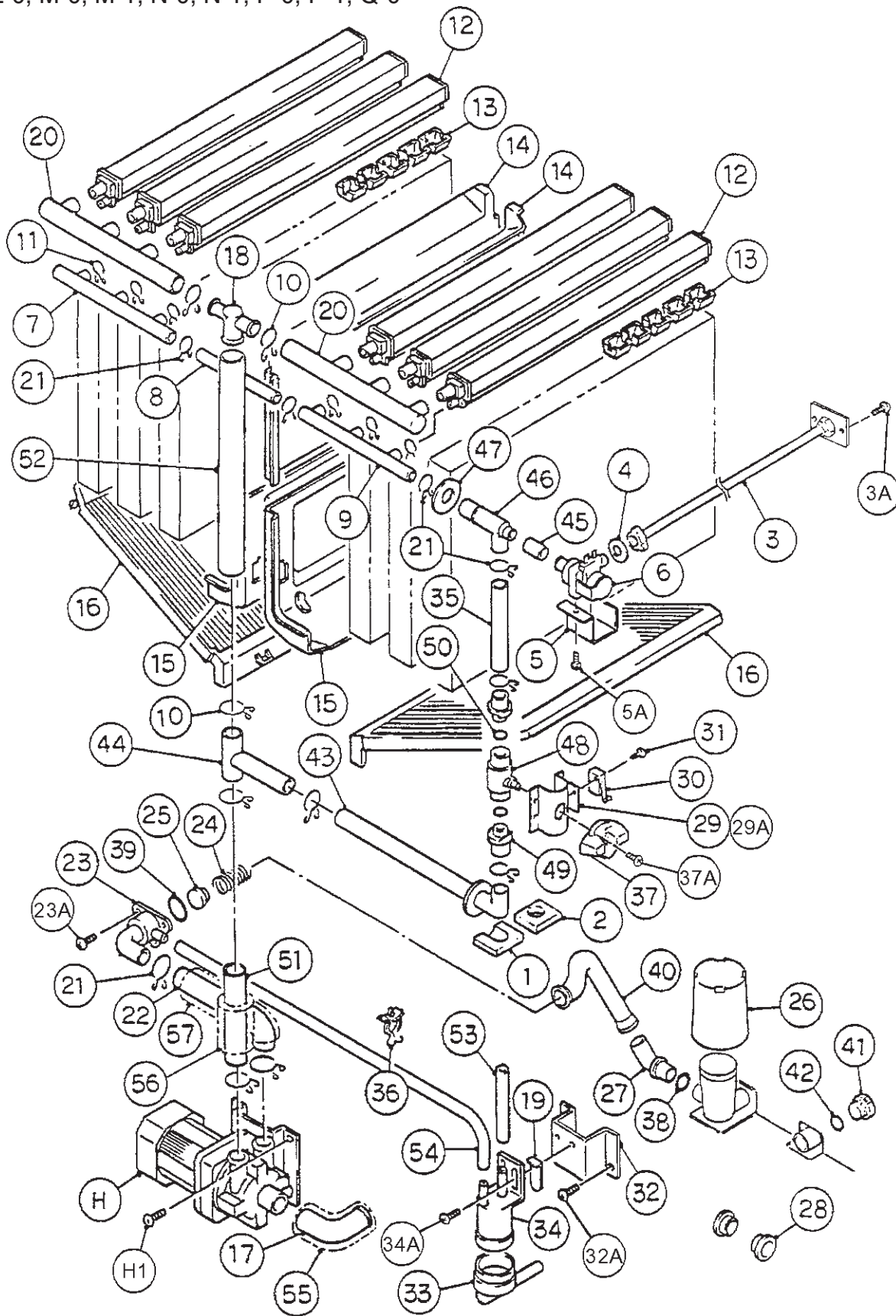
Index No.	Description	Material or Model Number	Part Number	Required Number																
				Q-0																
29	VALVE BODY	24	<a href="#">440351-01</a>	1																
30	COIL - VALVE	ADS-24HD-3	<a href="#">440354-01</a>	1																
31	BOLT	4x6	440354F01	1																
32	HEADER - S	750489	<a href="#">441038-01</a>	2																
33	COPPER TUBE (A) - EXP. VALVE	COPPER	446515-01	1																
34	COPPER TUBE (B) - EXP. VALVE	COPPER	446516-01	1																
35	COPPER TUBE (C) - EXP. VALVE	COPPER	446517-01	1																
36	COPPER TUBE - LOW SIDE	COPPER	106803G01	1																
37	COPPER TUBE (A) - LOW SIDE	COPPER	326312G01	1																
38	COPPER TUBE (B) - LOW SIDE	COPPER	326313G01	1																
39	COPPER TUBE (C) - LOW SIDE	COPPER	326314G01	1																
40	INSULATION - COMPRESSOR TOP	VNN 2C1 (SOFT)	<a href="#">447118-01</a>	1																
41	INSULATION - COMPRESSOR RIGHT	VNN 2C1 (SOFT)	<a href="#">447119-01</a>	1																
42	INSULATION - COMPRESSOR CENTER	VNN 2C1 (SOFT)	<a href="#">447120-01</a>	1																
43	INSULATION - COMPRESSOR LEFT	VNN 2C1 (SOFT)	<a href="#">447121-01</a>	1																
44	WIRE SADDLE	VWS4238-C	<a href="#">4A0338-02</a>	3																
45	HEAT EXCHANGER	COPPER	106804G01	1																
46	COPPER TUBE - HOT GAS	COPPER	4A0804-01	1																
47	INSULATION TUBE	L=219	<a href="#">7762-1020</a>	1																
48	INSULATION TUBE	L=264	<a href="#">7762-1020</a>	1																
49	INSULATION TUBE	L=308	<a href="#">7762-1020</a>	1																
50	HOLDER / EXP. VALVE - 3/8	SS	<a href="#">3A0107-01</a>	3																
51	CLAMP	SS	<a href="#">443461-01</a>	3																
52	INSULATION TUBE	L=40	<a href="#">7762-1020</a>	3																
53	CABLE TIE	CV-200	7920-0010	11																
54	EXP. VALVE COVER	PE FOAM	<a href="#">3A0944-01</a>	3																
55	THERMISTOR	-	<a href="#">429006-03</a>	1																
56	HOLDER - THERMISTOR	COPPER	<a href="#">438247-01</a>	1																
57	INSULATION - THERMISTOR	PE FOAM	<a href="#">427441-01</a>	1																
58	RUBBER INSULATION (A)	EPDM	<a href="#">325864-01</a>	1																
59	RUBBER INSULATION (B)	EPDM	<a href="#">325865-01</a>	1																
60	INSULATION HOLDER	SS	<a href="#">325863-01</a>	1																
60A	T2 SCREW	4x8, SS	<a href="#">7P32-0408</a>	2																
61	HEADER COVER (B1)	PE FOAM	<a href="#">325862-01</a>	1																
62	HEADER COVER (B2)	PE FOAM	<a href="#">325862-02</a>	1																
63	INSULATION	PE FOAM	<a href="#">436671-02</a>	1																
64	BUSHING	OCB-500	<a href="#">428394-02</a>	1																
65	INSULATION TUBE	L=105	<a href="#">7762-1630</a>	1																

Title: <b>B. Refrigeration Circuit</b> Model: <b>KM-1800SRH, KM-1800SRH3</b>											
Index No.	Description	Material or Model Number	Part Number	Required Number							
				Q-0							
66	TERMINAL GASKET	-	334084-01	1							
67	COUPLING	COPPER	<a href="#">434136G01</a>	1							
68	TUBE HOLDER (L)	GS	<a href="#">438245-01</a>	1							
68A	T2 SCREW	4x8	<a href="#">7P31-0408</a>	2							
69	COUPLING	COPPER	<a href="#">433751G01</a>	1							
70	TUBE HOLDER (S)	GS	<a href="#">438246-01</a>	1							
70A	T2 SCREW	4x8	<a href="#">7P31-0408</a>	2							
71	COPPER TUBE (B) - HIGH SIDE	COPPER	445178G01	1							
72	COPPER TUBE (D) - HIGH SIDE	COPPER	331009G01	1							
73	COPPER TUBE (E) - HIGH SIDE	COPPER	3A0992-01	1							
74	COPPER TUBE (F) - HIGH SIDE	COPPER	3A2336-01	1							
75	HEADER COVER (A1)	PE FOAM	<a href="#">325861-01</a>	1							
76	HEADER COVER (A2)	PE FOAM	<a href="#">325861-02</a>	1							
77	INSULATION TUBE	L=150	<a href="#">7762-3555</a>	1							
78	CLAMP	-	<a href="#">4A2338-01</a>	1							

### C. Water Circuit

**KM-1800SAH, KM-1800SAH3, KM-1800SWH, KM-1800SWH3, KM-1800SRH, KM-1800SRH3**

L-0, M-0, M-1, N-0, N-1, P-0, P-1, Q-0



Title: **C. Water Circuit** Model: **KM-1800SAH, KM-1800SAH3, KM-1800SWH, KM-1800SWH3, KM-1800SRH, KM-1800SRH3**

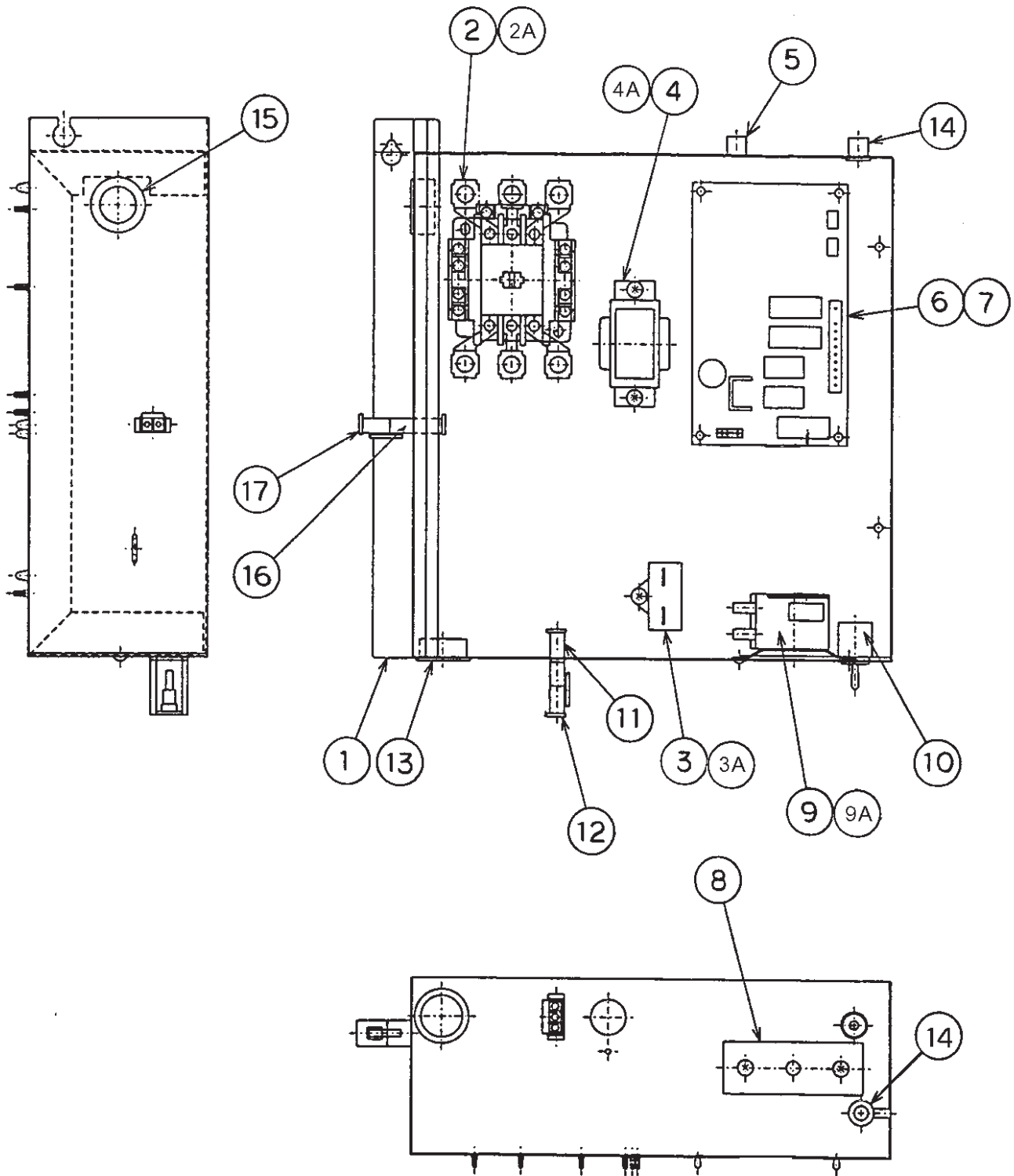
Index No.	Description	Material or Model Number	Part Number	Required Number									
				L-0	M-0 to Q-0								
H	PUMP MOTOR ASSEMBLY	(S-0730)	215692A01	1	1								
H1	TRUSS HEAD SCREW	5x8, SS	7C32-0508	2	2								
1	CORNER INSULATION (A)	PE FOAM	439376-01	1	1								
2	CORNER INSULATION (B)	PE FOAM	439392-01	1	1								
3	WATER SUPPLY PIPE	COPPER	4A0768G03	1	1								
3A	T2 SCREW	4x8	7P31-0408	2	2								
4	RUBBER GASKET	SI.R	413854-03	1	1								
5	WATER VALVE BRACKET	GS	321443-01	1	1								
5A	T2 SCREW	4x8	7P31-0408	2	2								
6	WATER VALVE	J248-106	3U0136-01	1	1								
7	DISTRIBUTOR HOSE (A)	EPDM	325738-02	1	1								
8	JOINT PIPE	ABS	439297-01	1	1								
9	DISTRIBUTOR HOSE (B)	EPDM	439239-01	1	1								
10	HOSE CLAMP	SS, 32MM	427443-09	7	7								
11	HOSE CLAMP	SS, 13.5MM	427443-07	6	6								
12	SPRAY TUBE	ABS	437049G01	6	6								
13	SPRAY GUIDE (A)	PE	208586-01	18	18								
14	SEPARATOR (A)	ABS	215046-01	2	2								
15	SEPARATOR (B)	SS	2A0100-01	2	2								
16	CUBE GUIDE	ABS	214243-01	2	2								
17	HOSE (A)	EPDM	435091-01	1	1								
18	DISTRIBUTOR (A)	ABS	439266-01	1	1								
19	FLOAT SWITCH STOP	SS	4A0137-01	1	1								
20	DISTRIBUTOR HOSE (C)	EPDM	325739-01	2	2								
21	HOSE CLAMP	SS, 25MM	427443-03	9	9								
22	HOSE (B)	EPDM	325867-01	1	1								
23	VALVE HOUSING - DRAIN	ABS	323613-01	1	1								
23A	T2 SCREW	4x10, SS	7P32-0410	3	3								
24	SPRING	SS	322110-01	1	1								
25	VALVE SHEET	EPDM	433705-01	1	1								
26	OVERFLOW CAP	PE	325866-01	1	1								
27	JOINT - OVERFLOW	ABS	323923-02	1	1								
28	BUSHING	-	420470-06	2	2								
29	VALVE HOLDER	GS	3A1178-01	1	1								
29A	TRUSS HEAD SCREW	4x8	7C31-0408	3	3								
30	MICRO SWITCH	V3L-111-08	4A0365-01	1	-								
		-	4A2546-01		1								
31	TAPPING SCREW	3x14	431415-02	2	2								
32	FLOAT SW. BRACKET	SS	3A0449-01	1	1								
32A	T2 SCREW	4x8, SS	7P32-0408	2	2								
33	CONNECTOR - FLOAT SWITCH	EPDM	426799-04	1	1								
34	FLOAT SWITCH	163795	4A0886-01	1	1								
34A	TRUSS HEAD SCREW	4x10, SS	4x10, SS	2	2								
35	JOINT HOSE	EPDM	439309-01	1	1								
36	CLAMP	NO.4253	427902-05	1	1								

Title: **C. Water Circuit** Model: **KM-1800SAH, KM-1800SAH3, KM-1800SWH, KM-1800SWH3, KM-1800SRH, KM-1800SRH3**

Index No.	Description	Material or Model Number	Part Number	Required Number									
				L-0	M-0 to Q-0								
37	HANDLE	JH1352	<a href="#">215383-01</a>	1	1								
37A	T2 SCREW	4x8	<a href="#">7P31-0408</a>	1	1								
38	"O" RING	1AP18	<a href="#">7611-P018</a>	1	1								
39	"O" RING	1AG35	<a href="#">7611-G035</a>	1	1								
40	DRAIN HOSE	EPDM	<a href="#">325869-01</a>	1	1								
41	DRAIN	AC	<a href="#">309246-01</a>	1	1								
42	"O" RING	1AP15	<a href="#">7611-P015</a>	1	1								
43	BYPASS HOSE	EPDM	<a href="#">439237-02</a>	1	1								
44	DISTRIBUTOR (C)	ABS	<a href="#">439238-01</a>	1	1								
45	JOINT HOSE	EPDM	<a href="#">439296-01</a>	1	1								
46	DISTRIBUTOR (B)	ABS	<a href="#">439239-01</a>	1	1								
47	FLANGE	EPDM	<a href="#">439267-02</a>	1	1								
48	BALL VALVE	PVC	<a href="#">439293-01</a>	1	1								
49	MALE ADAPTOR	ABS	<a href="#">325826-01</a>	2	2								
50	"O" RING	1AP20	<a href="#">7611-P020</a>	2	2								
51	VINYL HOSE	L=230	<a href="#">7716-2732</a>	1	1								
52	VINYL HOSE	L=550	<a href="#">7716-2732</a>	1	1								
53	SILICONE HOSE	L=190	<a href="#">773013812</a>	1	1								
54	SILICONE HOSE	L=430	<a href="#">773013896</a>	1	1								
55	INSULATION HOSE	L=120	<a href="#">7762-3555</a>	1	1								
56	INSULATION HOSE	L=130	<a href="#">7762-3555</a>	1	1								
57	INSULATION HOSE	L=1200	<a href="#">7762-3555</a>	1	1								



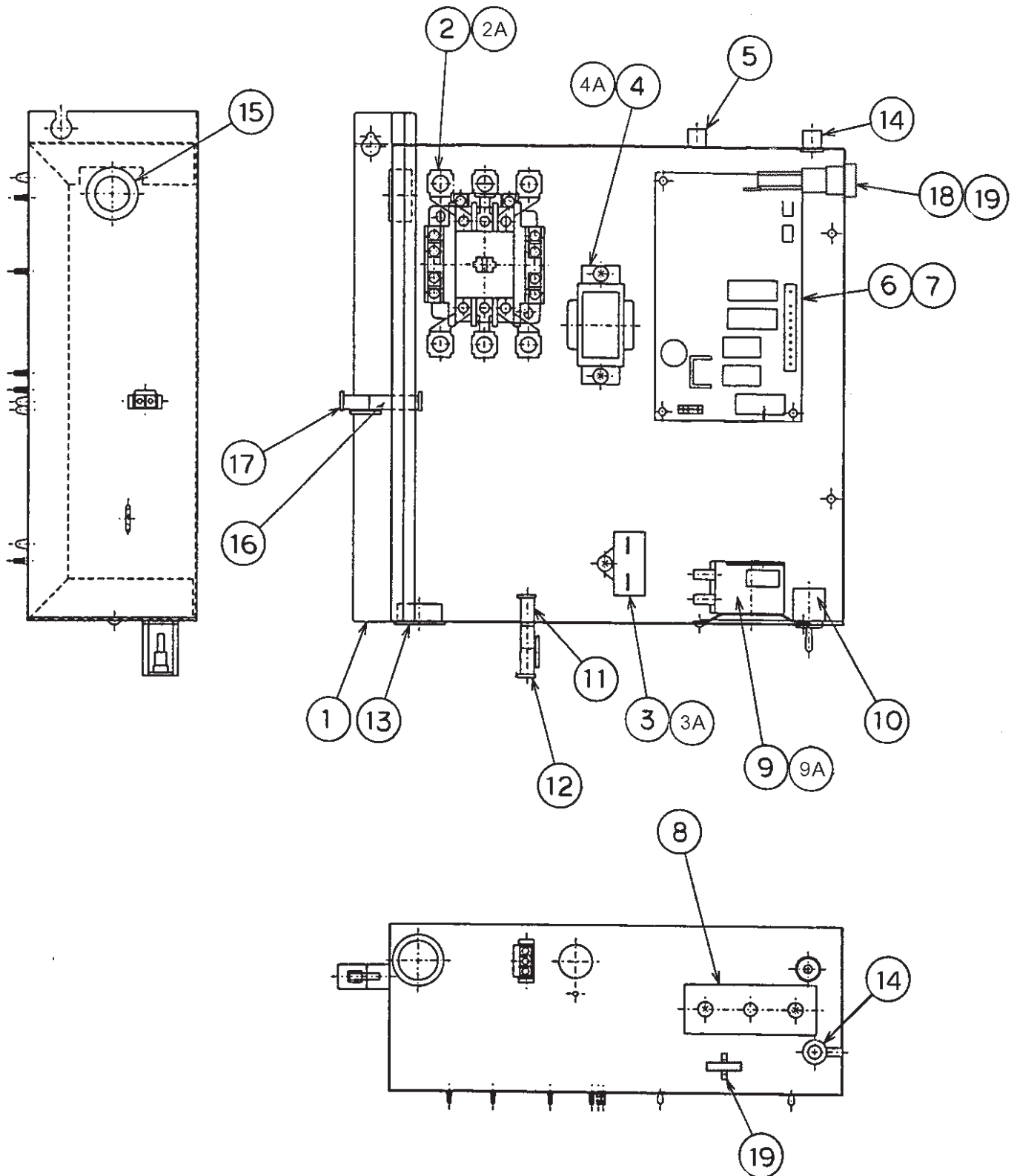
**D. Control Box Assembly**  
**KM-1800SAH, KM-1800SAH3**  
 L-0, M-0



### D. Control Box Assembly

KM-1800SAH, KM-1800SAH3, KM-1800SWH, KM-1800SWH3,  
KM-1800SRH, KM-1800SRH3

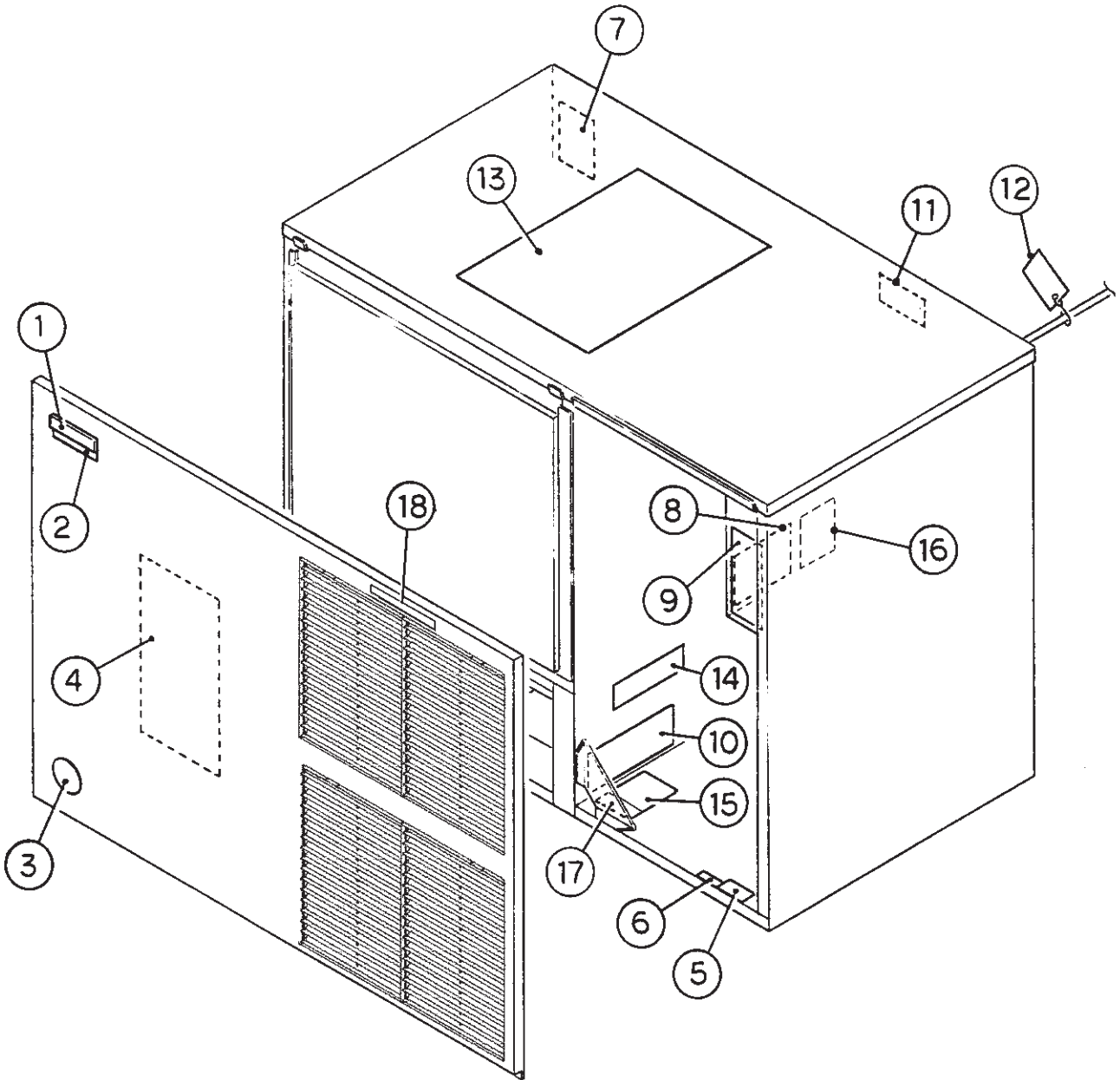
M-1, N-0, N-1, P-0, P-1, Q-0



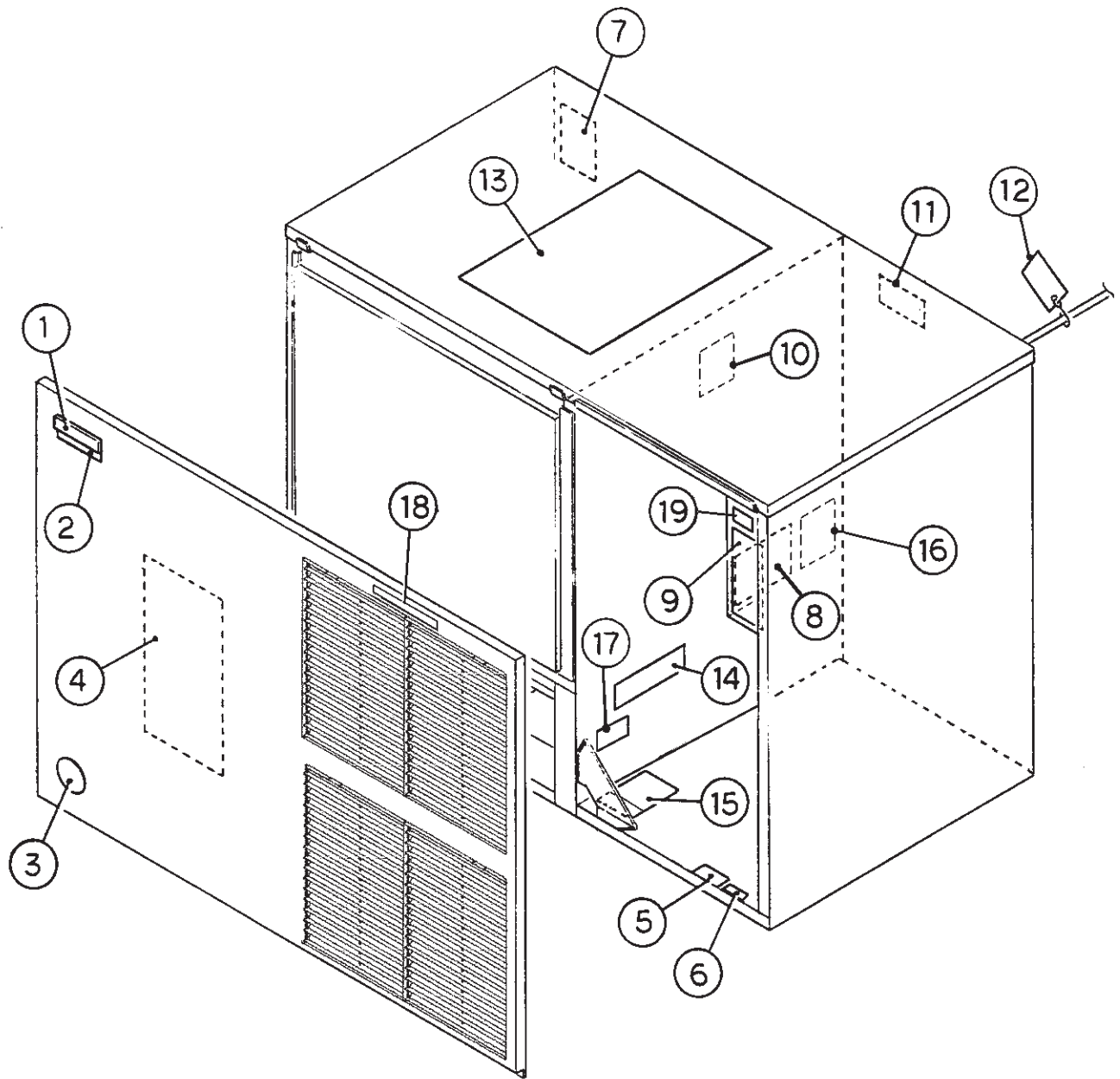
Title: **D. Control Box Assembly** Model: **KM-1800SAH, KM-1800SAH3, KM-1800SWH, KM-1800SWH3, KM-1800SRH, KM-1800SRH3**

Index No.	Description	Material or Model Number	Part Number	Required Number									
				L-0 M-0	M-1 to Q-0								
1	CONTROL BOX	GS	2A1082G02	1	-								
		GS	2A2524G01		1								
2	MAGNETIC CONTACTOR	A77-309040A-226	4A0794-01	1	1								
2A	TRUSS HEAD SCREW	4x12	7C31-0412	2	2								
3	CAPACITOR	250V. AC, 10MFD	443192-01	1	1								
3A	T2 SCREW	4x10	7P31-0410	1	1								
4	TRANSFORMER	26D285H	3A0172-01	1	1								
4A	T2 SCREW	4x8	7P31-0408	2	2								
5	BUSHING	OCB-875	428394-04	1	1								
6	CONTROLLER BOARD	HOSHIZAKI-001A	2A1410-01	1	1								
7	BOARD SUPPORT	CBLS37-M	4A0336-03	4	4								
8	CONTROL LABEL	PES FILM	4A1758-01	1	1								
9	THERMOSTAT	A30-3842-00	4A0824-02	1	1								
9A	TRUSS HEAD SCREW	4x6	7C31-0406	2	2								
10	TOGGLE SWITCH	7563K6	443119-01	1	1								
11	3P PLUG HOUSING	3191-03P	412832-06	1	1								
12	3P RECEPTACLE HOUSING	3191-03PR1	412831-06	1	1								
13	BUSHING	SB-1093-15	420470-03	1	1								
14	BUSHING	OCB-500	428394-02	2	2								
15	BUSHING	SB-1093-13	420470-12	1	1								
16	2P PLUG HOUSING	3190-02P (RED)	412832-09	1	1								
17	2P RECEPTACLE HOUSING	3191-02PR1 (RED)	412831-09	1	1								
18	FUSE HOLDER	HTB921	4A0892-01		1								
19	FUSE	AGC-10	4A0893-07		2								

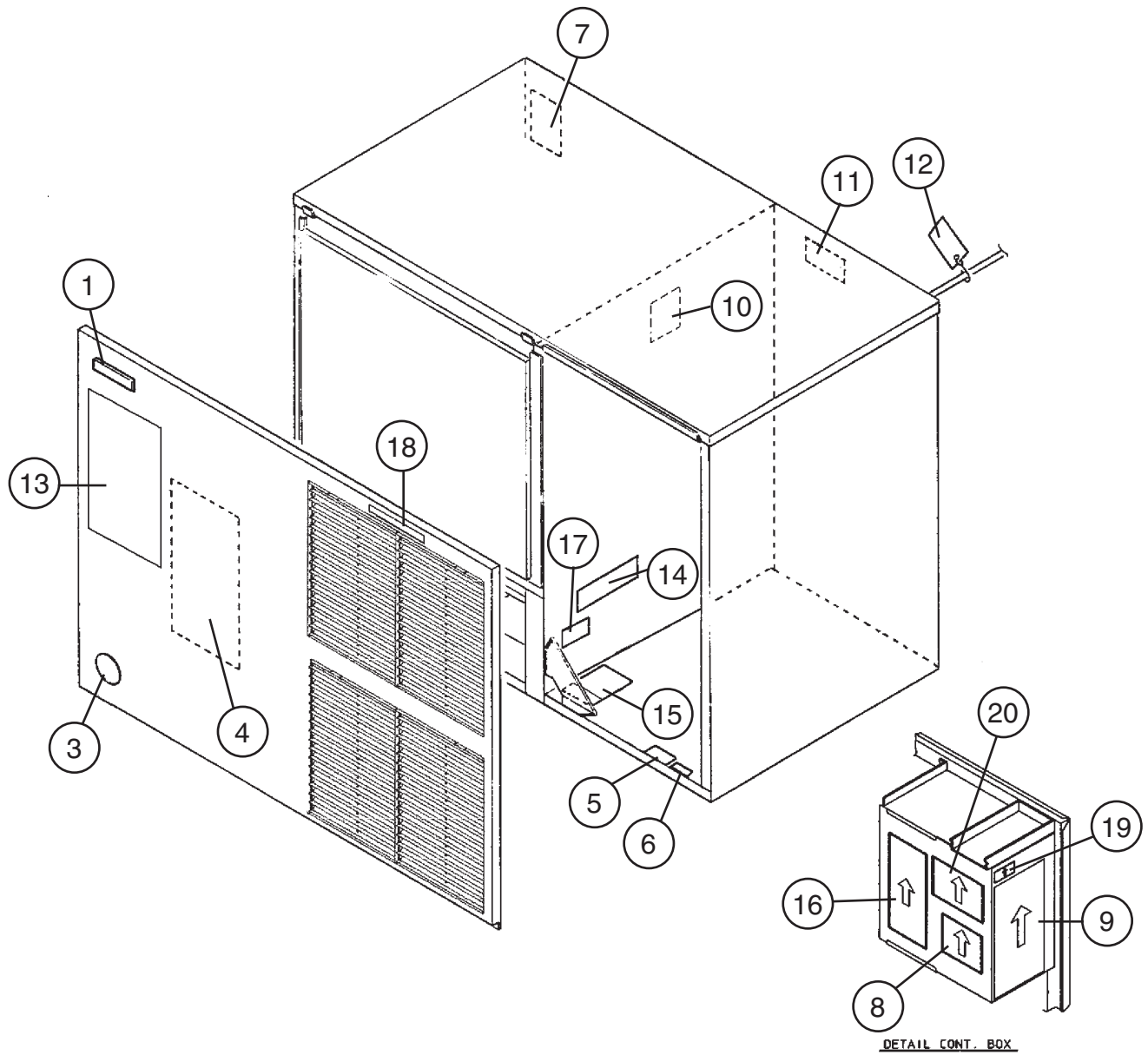
**E. Label Location**  
**KM-1800SAH, KM-1800SAH3**  
L-0, M-0



**E. Label Location**  
**KM-1800SAH, KM-1800SAH3**  
M-1, N-0, N-1, P-0, P-1



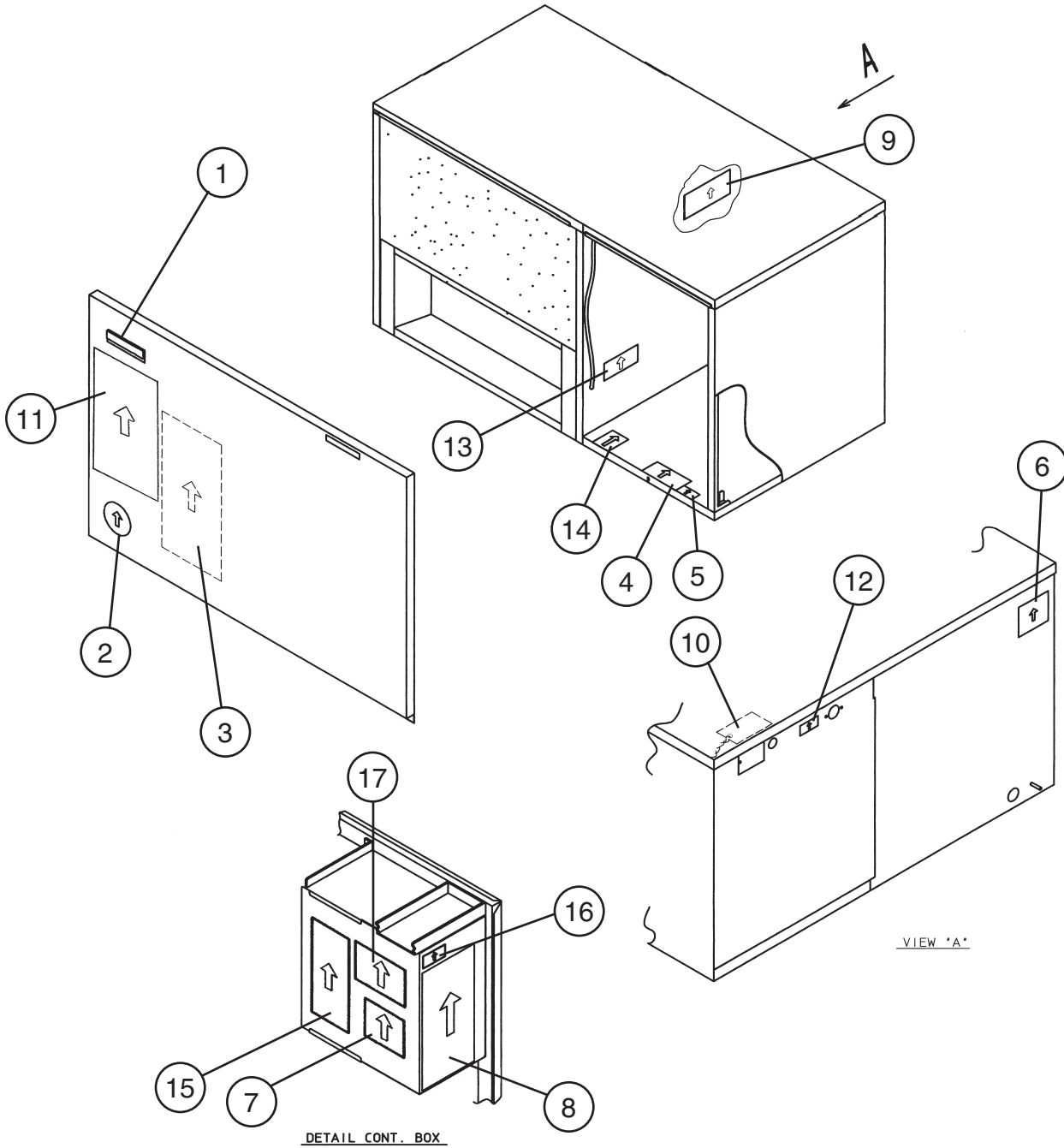
**E. Label Location**  
**KM-1800SAH, KM-1800SAH3**  
Q-0



Title: **E. Label Location** Model: **KM-1800SAH, KM-1800SAH3**

Index No.	Description	Material or Model Number	Part Number	Required Number										
				L-0 M-0	M-1	N-0 to P-1	Q-0							
1	EMBLEM	ABS	4A0560-01	1	1	1	1							
2	MODEL NUMBER LABEL	KM-1800SAH PETP FILM	4A2335-01	-										
			4A2356-17	1	1	-								
		KM-1800SAH3 PETP FILM	4A2335-02	-										
			4A2356-18	1	1	-								
3	LABEL - PENGUIN (R)	PETP FILM	4A0526-01	1	1	1	1							
4	MAINTENANCE LABEL	PVC FILM	3A1770-01	1	1	1	1							
5	CAUTION LABEL (K)	PVC FILM	439150-01	1	1	1	1							
6	LABEL - R404A	PES FILM	4A0960-01	1	1	1	1							
7	NAMEPLATE	KM-1800SAH PES FILM	4A2327-01	1	1	1	1							
		KM-1800SAH3 PES FILM	4A2325-01	1	1	1	1							
8	WIRING LABEL	KM-1800SAH PVC FILM	3A1805-01	1	-									
			3A2456-01		1	1	1							
		KM-1800SAH3 PVC FILM	3A1802-01	1	-									
			3A2457-01		1	1	1							
9	MANUAL LABEL	PVC FILM	324476-01	1	1	1	1							
10	MANUAL LABEL - BIN CONTROL	PVC FILM	324477-01	1	1	1	1							
11	INSTRUCTION LABEL	PVC FILM	444575-01	1	1	1	1							
12	TAG - WARNING: ELECTRICAL CONNECTION	KM-1800SAH PAPER	428430-01	1	1	1	1							
		KM-1800SAH3 PAPER	438479-01	1	1	1	1							
13	INSTRUCTION SHEET	PAPER	2A2135-01	1	1	1	1							
14	OPERATION LABEL - VALVE	PVC FILM	439541-01	1	1	1	1							
15	RATING LABEL	KM-1800SAH PES FILM	4A2328-01	1	1	1	1							
		KM-1800SAH3 PES FILM	4A2324-01	1	1	1	1							
16	LABEL - CONTROL BOARD	PVC FILM	3A1272-01	1	1	1	1							
17	CAUTION LABEL (F)	PVC FILM	439146-01	1	1	1	1							
18	LABEL – AIR FILTER	PVC FILM	426177-01	1	1	1	1							
19	LABEL – FUSE	-	4A2817-01		1	1	1							
20	LABEL – ALARM	PVC FILM	4A3517-01				1							

**E. Label Location**  
**KM-1800SWH, KM-1800SWH3**  
Q-0

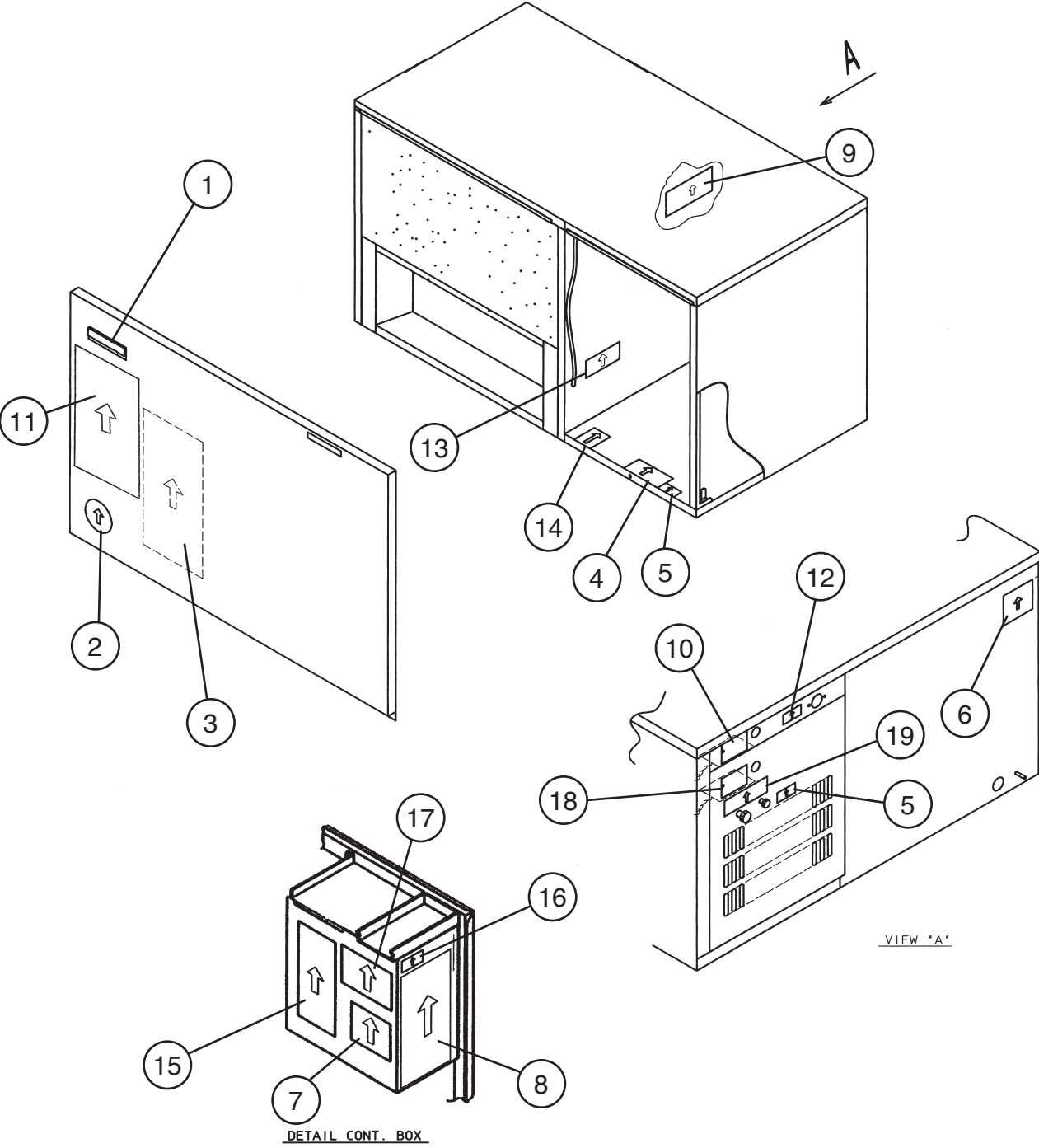




Title: **E. Label Location** Model: **KM-1800SWH, KM-1800SWH3**

Index No.	Description	Material or Model Number	Part Number	Required Number								
				Q-0								
1	EMBLEM	ABS	<a href="#">4A0560-01</a>	1								
2	LABEL - PENGUIN (R)	PETP FILM	<a href="#">4A0526-01</a>	1								
3	MAINTENANCE LABEL	PVC FILM	<a href="#">3A1770-01</a>	1								
4	CAUTION LABEL (K)	PVC FILM	<a href="#">439150-01</a>	1								
5	LABEL - R404A	PES FILM	<a href="#">4A0960-01</a>	1								
6	NAMEPLATE	<b>KM-1800SWH</b> PES FILM	2A2664-05	1								
		<b>KM-1800SWH3</b> PES FILM	2A2664-06	1								
7	WIRING LABEL	<b>KM-1800SWH</b> PVC FILM	3A3490-01	1								
		<b>KM-1800SWH3</b> PVC FILM	<a href="#">3A2394-01</a>	1								
8	MANUAL LABEL	PVC FILM	<a href="#">324476-01</a>	1								
9	MANUAL LABEL - BIN CONTROL	PVC FILM	324477-01	1								
10	TAG - WARNING: ELECTRICAL CONNECTION	<b>KM-1800SWH</b> PAPER	428430-01	1								
		<b>KM-1800SWH3</b> PAPER	<a href="#">438479-01</a>	1								
11	INSTRUCTION SHEET	PAPER	2A3458-01	1								
12	INSTRUCTION LABEL	PVC FILM	<a href="#">444575-01</a>	1								
13	OPERATION LABEL - VALVE	PVC FILM	<a href="#">439541-01</a>	1								
14	RATING LABEL	<b>KM-1800SWH</b> PES FILM	2A2665-05	1								
		<b>KM-1800SWH3</b> PES FILM	2A2665-06	1								
15	LABEL - CONTROL BOARD	PVC FILM	<a href="#">3A2220-01</a>	1								
16	LABEL - FUSE	-	<a href="#">4A2817-01</a>	1								
17	LABEL - ALARM	PVC FILM	<a href="#">4A3517-01</a>	1								

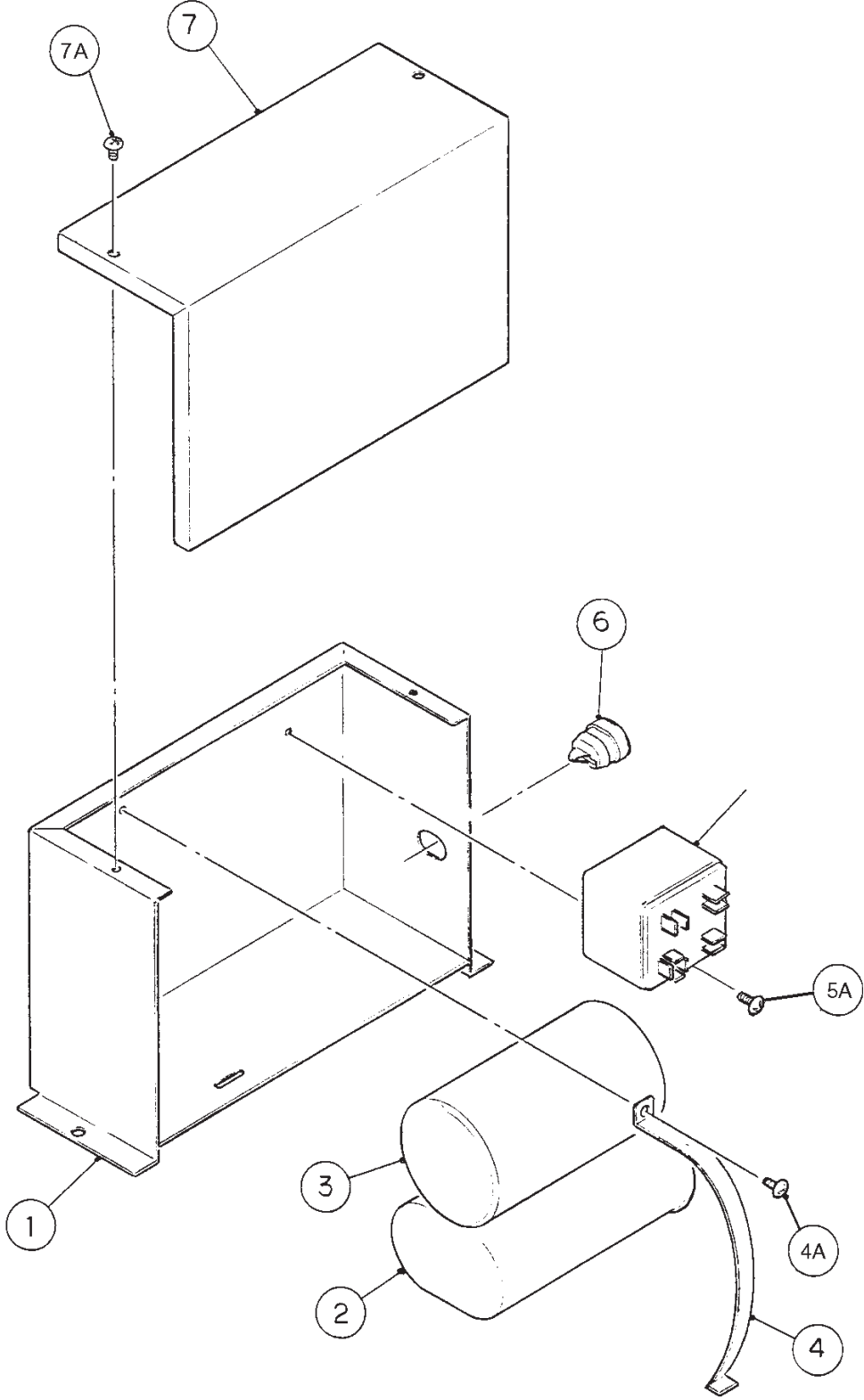
**E. Label Location**  
**KM-1800SRH, KM-1800SRH3**  
Q-0



Title: **E. Label Location** Model: **KM-1800SRH, KM-1800SRH3**

Index No.	Description	Material or Model Number	Part Number	Required Number									
				Q-0									
1	EMBLEM	ABS	<a href="#">4A0560-01</a>	1									
2	LABEL - PENGUIN (R)	PETP FILM	<a href="#">4A0526-01</a>	1									
3	MAINTENANCE LABEL	PVC FILM	<a href="#">3A1770-01</a>	1									
4	CAUTION LABEL (K)	PVC FILM	<a href="#">439150-01</a>	1									
5	LABEL - R404A	PES FILM	<a href="#">4A0960-01</a>	1									
6	NAMEPLATE	<b>KM-1800SRH</b> PES FILM	2A2664-03	1									
		<b>KM-1800SRH3</b> PES FILM	2A2664-04	1									
7	WIRING LABEL	<b>KM-1800SRH</b> PVC FILM	3A3490-01	1									
		<b>KM-1800SRH3</b> PVC FILM	<a href="#">3A2394-01</a>	1									
8	MANUAL LABEL	PVC FILM	<a href="#">324476-01</a>	1									
9	MANUAL LABEL - BIN CONTROL	PVC FILM	324477-01	1									
10	TAG - WARNING: ELECTRICAL CONNECTION	<b>KM-1800SRH</b> PAPER	428430-01	1									
		<b>KM-1800SRH3</b> PAPER	<a href="#">438479-01</a>	1									
11	INSTRUCTION SHEET	PAPER	2A3458-01	1									
12	INSTRUCTION LABEL	PVC FILM	<a href="#">444575-01</a>	1									
13	OPERATION LABEL - VALVE	PVC FILM	<a href="#">439541-01</a>	1									
14	RATING LABEL	<b>KM-1800SRH</b> PES FILM	2A2665-03	1									
		<b>KM-1800SRH3</b> PES FILM	2A2665-04	1									
15	LABEL - CONTROL BOARD	PVC FILM	<a href="#">3A2220-01</a>	1									
16	LABEL - FUSE	-	<a href="#">4A2817-01</a>	1									
17	LABEL - ALARM	PVC FILM	<a href="#">4A3517-01</a>	1									
18	TAG - FAN MOTOR LEADS		<a href="#">4A1494-01</a>	1									
19	CAUTION - REMOTE LABEL		<a href="#">4A1491-01</a>	1									

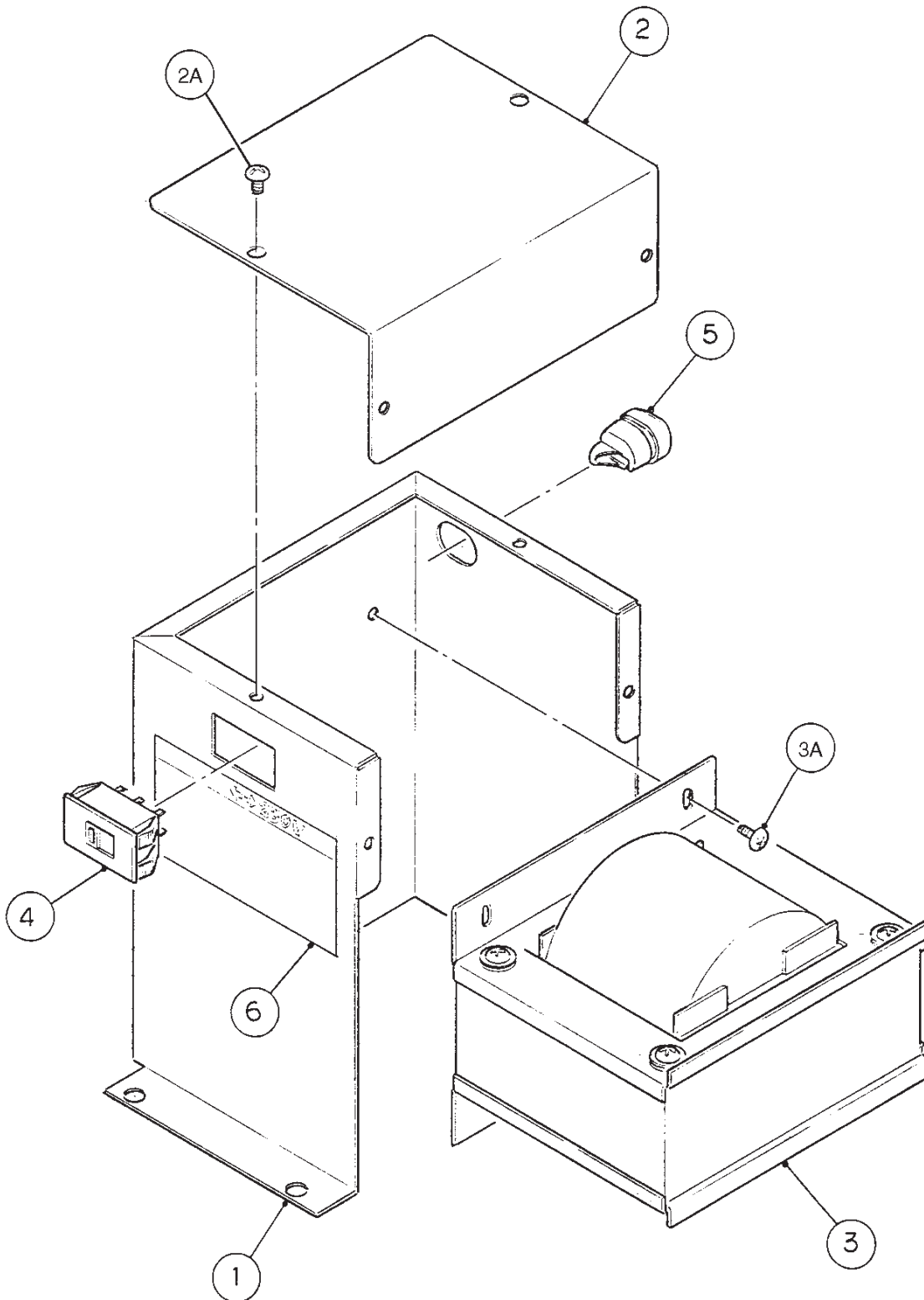
**F. Capacitor Box Assembly**  
**KM-1800SAH, KM-1800SWH, KM-1800SRH**  
L-0, M-0, M-1, N-0, N-1, P-0, P-1, Q-0



Title: **F. Capacitor Box Assembly** Model: **KM-1800SAH , KM-1800SWH, KM-1800SRH**

Index No.	Description	Material or Model Number	Part Number	Required Number									
				L-00006M to L-00085C	L-00086J to L-00105J	M-0	M-1 to Q-0						
1	CAPACITOR BOX	GS	<a href="#">326124-02</a>	1									
2	CAPACITOR	35MFD, 370V	439943-01	1	-								
		-	<a href="#">3A2005-05</a>		1	1	1						
3	CAPACITOR - STARTING	145-174MFD, 250V	<a href="#">3A0076-01</a>	1	1	1	1						
4	STRAP	GS	434580-04	1	-								
			<a href="#">4A2262-03</a>		1	1	1						
4A	T2 SCREW	4x8	<a href="#">7P31-0408</a>	1	1	1	1						
5	STARTER	3ARR3CT10S5	<a href="#">4A1107-09</a>	1	1	1	1						
5A	T2 SCREW	4x8	<a href="#">7P31-0408</a>	1	1	1	1						
6	BUSHING	SR-34-2	<a href="#">420472-05</a>	1	1	1	1						
7	CAPACITOR BOX COVER	GS	<a href="#">326125-01</a>	1	1	1	1						
7A	T2 SCREW	4x8	<a href="#">7P31-0408</a>	2	2	2	2						

**F. Transformer Box Assembly**  
**KM-1800SAH3, KM-1800SWH3, KM-1800SRH3**  
L-0, M-1, N-0, N-1, P-0, P-1, Q-0

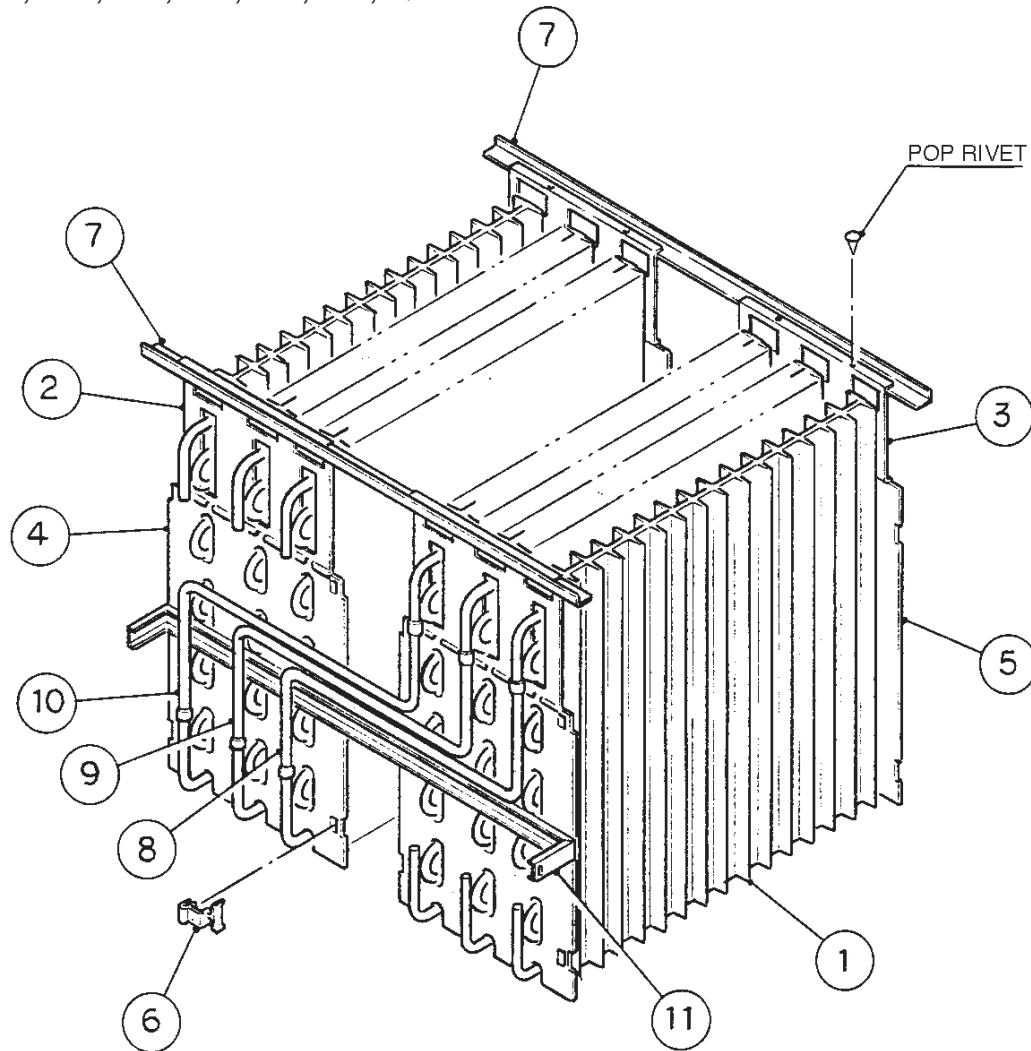


Title: <b>F. Transformer Box Assembly</b> Model: <b>KM-1800SAH3, KM-1800SWH3, KM-1800SRH3</b>											
Index No.	Description	Material or Model Number	Part Number	Required Number							
				L-0 to Q-0							
1	TRANSFORMER BOX	-	<a href="#">3A1101-01</a>	1							
2	TRANSFORMER BOX COVER	-	<a href="#">438467-01</a>	1							
2A	T2 SCREW	4x8	<a href="#">7P31-0408</a>	4							
3	TRANSFORMER	BE24543001	<a href="#">4A0817-01</a>	1							
3A	TRUSS HEAD SCREW	4x8	<a href="#">7C31-0408</a>	4							
4	SLIDE SWITCH	SE1022-SD-PM-F-R-HK-A	<a href="#">4A1477-01</a>	1							
5	BUSHING	SR-30-1	<a href="#">420472-03</a>	1							
6	MANUAL LABEL - TAP SWITCH	PVC FILM	<a href="#">439423-01</a>	1							

## G. Evaporator

**KM-1800SAH, KM-1800SAH3, KM-1800SWH, KM-1800SWH3, KM-1800SRH, KM-1800SRH3**

L-0, M-0, M-1, N-0, N-1, P-0, P-1, Q-0



Title: **G. Evaporator** Model: **KM-1800SAH, KM-1800SAH3, KM-1800SWH, KM-1800SWH3, KM-1800SRH, KM-1800SRH3**

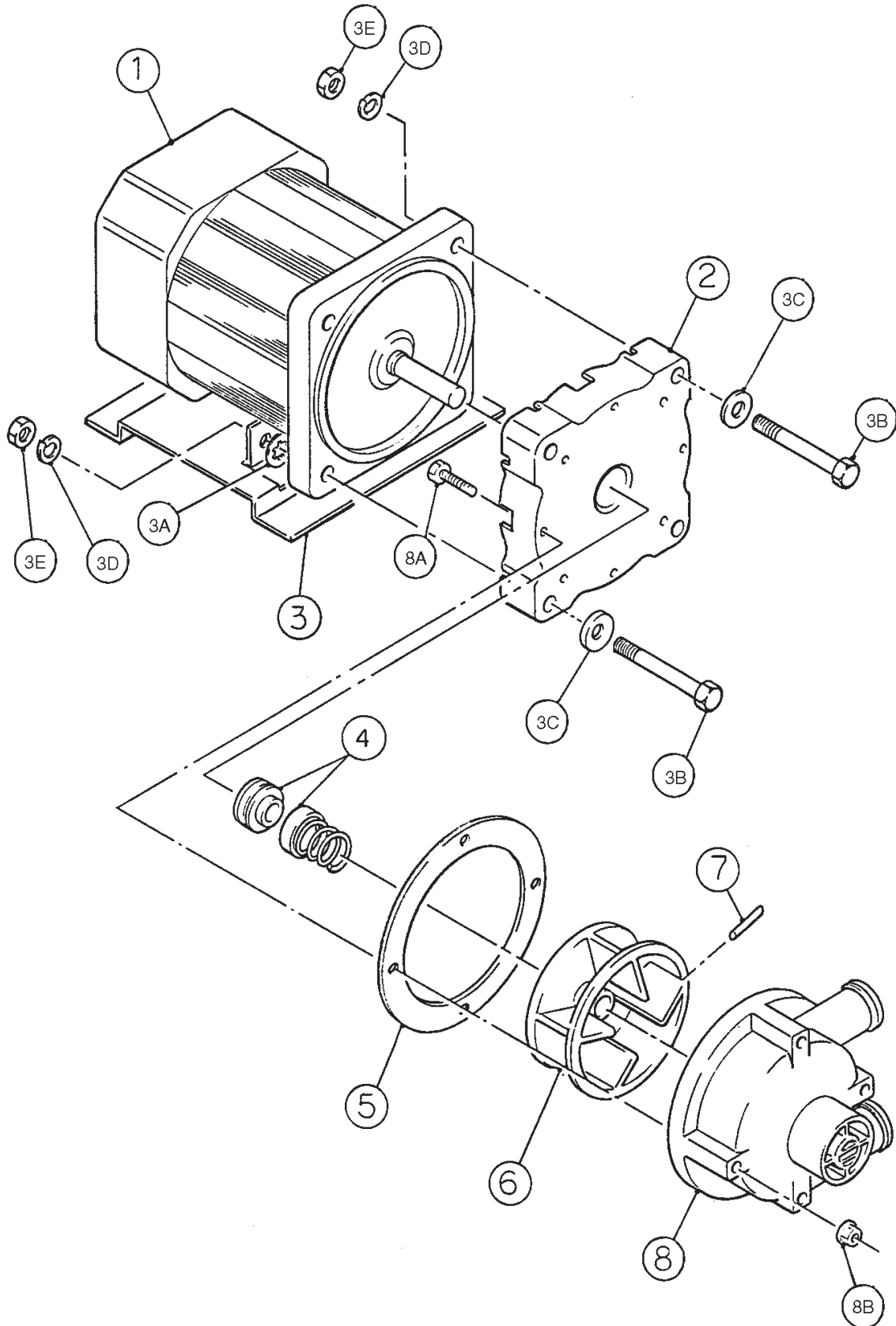
Index No.	Description	Material or Model Number	Part Number	Required Number														
				L-0 to Q-0														
1	EVAPORATOR	(S-0641)	103317G02	6														
2	EVAP. BRACKET (A)	SS	323690-01	2														
3	EVAP. BRACKET (B)	SS	323691-01	2														
4	END PLATE (A)	ABS	325859-01	2														
5	END PLATE (B)	ABS	325860-01	2														
6	HOOK	PP	324152-01	8														
7	EVAP. BRACKET	GS	436582-01	2														
8	COPPER TUBE (A) - EVAP	COPPER	439082-01	1														
9	COPPER TUBE (B) - EVAP	COPPER	439082-02	1														
10	COPPER TUBE (C) - EVAP	COPPER	439082-03	1														
11	EVAP. BRACKET (C)	SS	325868-01	1														



## H. Pump Motor Assembly

KM-1800SAH, KM-1800SAH3, KM-1800SWH, KM-1800SWH3, KM-1800SRH,  
KM-1800SRH3

L-0, M-0, M-1, N-0, N-1, P-0, P-1, Q-0



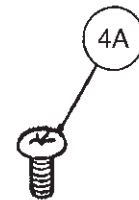
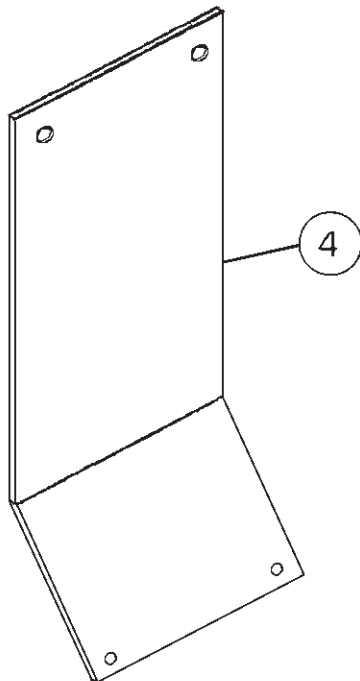
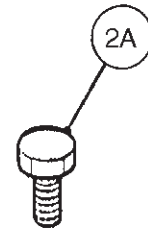
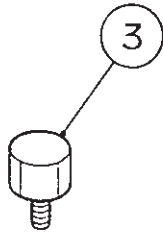
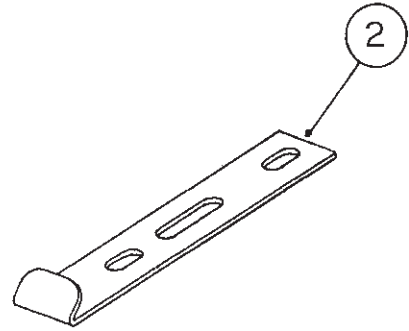
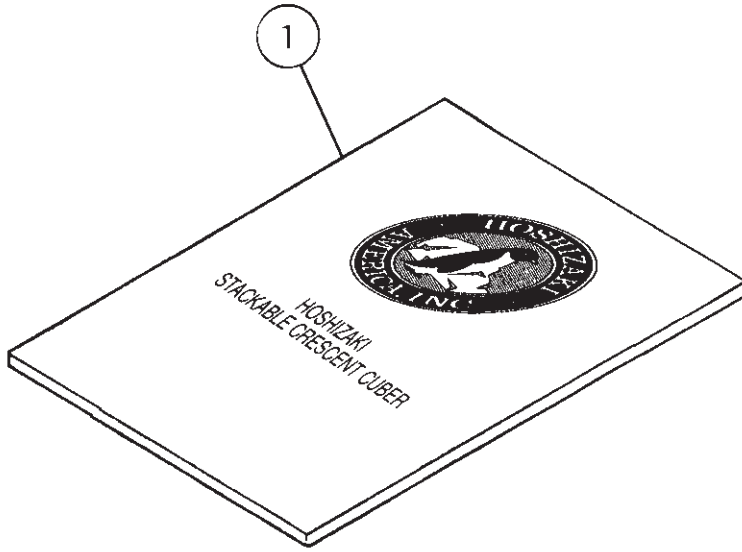
Title: **H. Pump Motor Assembly** Model: **KM-1800SAH, KM-1800SAH3, KM-1800SWH, KM-1800SWH3, KM-1800SRH, KM-1800SRH3**

Index No.	Description	Material or Model Number	Part Number	Required Number									
				L-0 to Q-0									
1	PUMP MOTOR	M91A60SP201	<a href="#">2U0106-01</a>	1									
2	PUMP FLANGE	PC	<a href="#">215662-01</a>	1									
3	PUMP MOTOR BRACKET	SS	<a href="#">323904-01</a>	1									
3A	TOOTH WASHER	6, SS	<a href="#">7R22-0600</a>	2									
3B	HEXAGON BOLT	6x40, SS	<a href="#">7B02-0640</a>	4									
3C	FLAT WASHER	6, SS	<a href="#">7W22-0600</a>	4									
3D	SPLIT LOCK WASHER	6, SS	<a href="#">7L22-0600</a>	4									
3E	NUT	6, SS	<a href="#">7N12-0600</a>	4									
4	MECHANICAL SEAL	H5-PN, 8MM	428545-01	1									
5	PACKING	EPDM	<a href="#">428547-01</a>	1									
6	IMPELLER	ABS	<a href="#">436584-01</a>	1									
7	PIN	SS	414102-01	1									
8	PUMP HOUSING	ABS	<a href="#">213687-01</a>	1									
8A	HEXAGON BOLT	4x55, SS	<a href="#">7B02-0455</a>	4									
8B	FLANGE NUT	4, SS	<a href="#">7J02-0400</a>	4									

## J. Accessories & Packaging

KM-1800SAH, KM-1800SAH3, KM-1800SWH, KM-1800SWH3, KM-1800SRH,  
KM-1800SRH3

L-0, M-0, M-1, N-0, N-1, P-0, P-1, Q-0



Title: **J. Accessories & Packaging** Model: **KM-1800SAH, KM-1800SAH3, KM-1800SWH, KM-1800SWH3, KM-1800SRH, KM-1800SRH3**

Index No.	Description	Material or Model Number	Part Number	Required Number									
				L-0 to P-1	Q-0								
1	INSTRUCTION MANUAL	PAPER	91A1SA10C	1	1								
2	UNIVERSAL BRACE	GS	<a href="#">4A0363-01</a>	2	2								
2A	HEX HEAD BOLT	5x12, SS	<a href="#">7B02-0512</a>	4	4								
3	THUMBSCREW	ABS, SS	415949G01	1	1								
4	THERMOSTAT EXTENSION BRACKET	SS	<a href="#">3A0408-01</a>	1	1								
4A	TRUSS HEAD SCREW	4x10, SS	<a href="#">7C32-0410</a>	2	2								
PACKAGING (Available only on models currently in production)			<a href="#">2A0876A09</a>										
1	PALLET	-	<a href="#">2A0865-01</a>	1	1								
2	TRAY	-	<a href="#">2A2173-05</a>	1	1								
3	WOOD BLOCK – B	-	<a href="#">4A0004-02</a>	3	3								
4	CORNER POST	-	<a href="#">3A0788-08</a>	2	2								
5	WOOD BLOCK – C	-	<a href="#">4A0004-03</a>	2	2								
6	MODEL AND SERIAL NO. LABEL	-	<a href="#">4A0023-01</a>	1	-								
			<a href="#">4A2999-01</a>		1								
7	SIDE PROTECTOR	-	<a href="#">4A2304-01</a>	3	3								
8	CORNER POST	-	<a href="#">3A0788-01</a>	4	4								
9	SIDE PROTECTOR	-	<a href="#">4A2304-02</a>	2	2								