
NO. 71131

ISSUED: JAN. 8, 1999

REVISED: OCT. 14, 2002



**HOSHIZAKI
STACKABLE CRESCENT CUBER**

MODELS

KM-2000SWF3

KM-2000SRF3

KM-2000SWH3

KM-2000SRH3

PARTS LIST

KM-2000SWF3	H-0	MARCH 1998
	H-1	JULY 1998
	J-0	DEC., 1998
	K-0	DEC., 1999
KM-2000SRF3	H-0	MARCH 1998
	H-1	JULY 1998
	J-1	FEB., 1999
	K-0	DEC., 1999
KM-2000SWH3	L-0	JAN., 2001
	M-0	DEC., 2001
	M-1	MARCH, 2002
	M-3	MAY, 2002
KM-2000SRH3	L-0	DEC., 2000
	M-0	JAN., 2002
	M-1	MARCH, 2002
	M-2	MAY, 2002

MATERIAL ABBREVIATIONS

ALUMINUM

AL = Aluminum

COPPER

CU = Copper

PLASTIC

ABS = Acrylonitrile -butadiene - styrene
 AC = Polyacetal
 EVA = Ethylene vinyl acetate
 PA = Polyamide = Nylon
 PC = Polycarbonate
 PE = Polyethylene
 PES = Polyester
 PETP = Polyethylene terephthalate = Tetlon
 PP = Polypropylene
 PS = Polystyrene
 PIFE = Polytetrafluoroethylene = Teflon
 PUR = Polyurethane
 PVC = Polyvinyl chloride

RUBBER

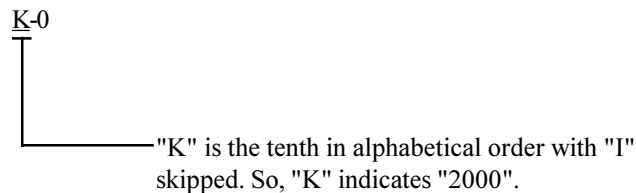
VN = Vinyl Nitrile
 EPDM = EP rubber
 NBR = Nitrile butadiene rubber
 NR = Natural rubber
 NP = Neoprene
 SI.R = Silicone rubber
 SY.R = Synthetic rubber
 EPH = Epichlorohydrin

STEEL

GS = Galvanized steel
 SS = Stainless steel
 PS = Plated steel
 PAS = Primed steel

AUXILIARY CODES

Ex.1

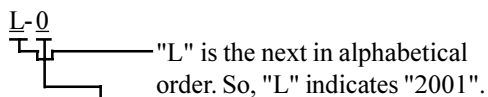


(Note) - = Part deleted.

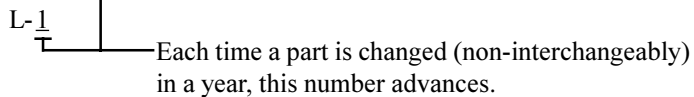
x = Part deleted and replaced by "o" part (interchangeable).

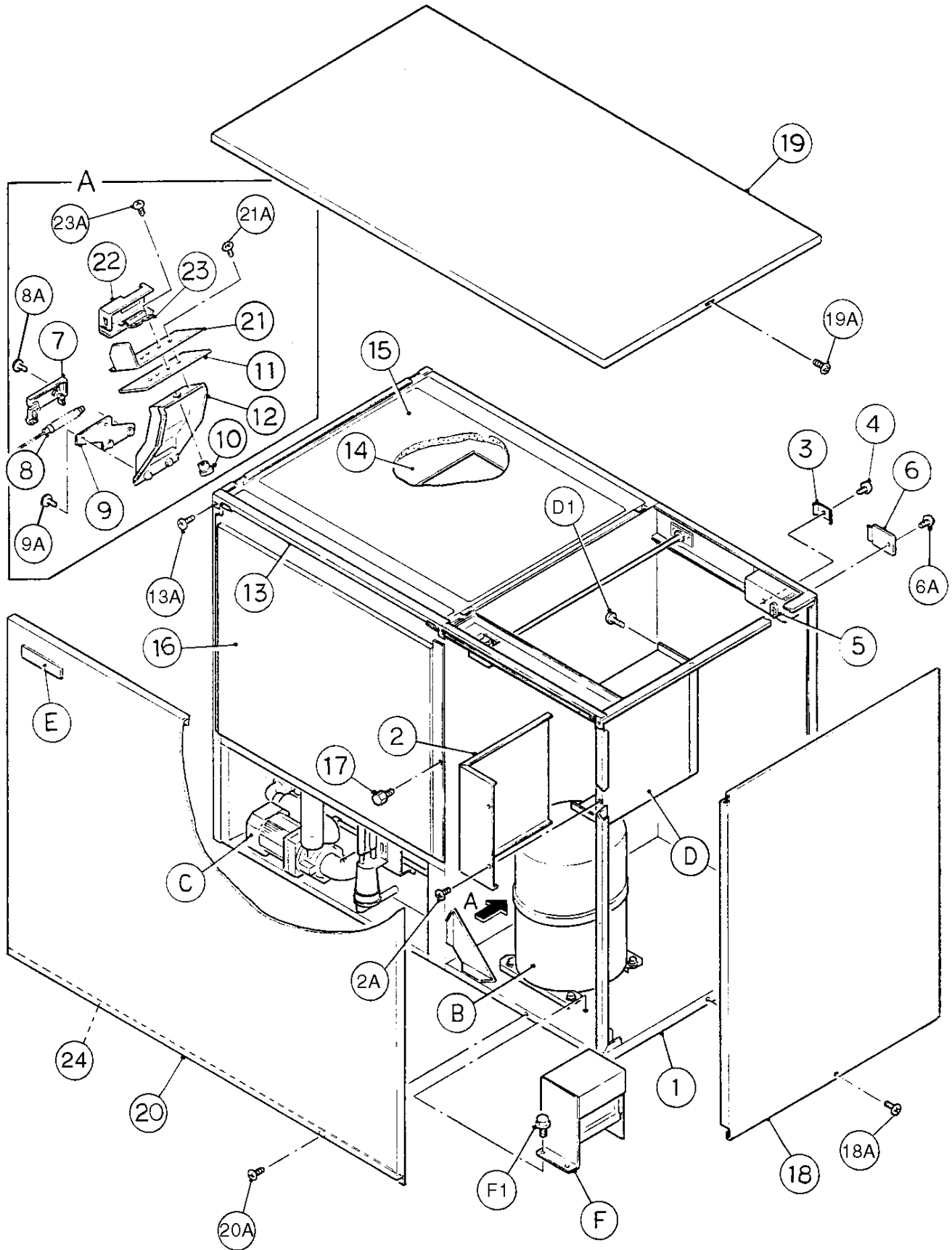
o = New part for "x" in the same auxiliary code.

Ex.2



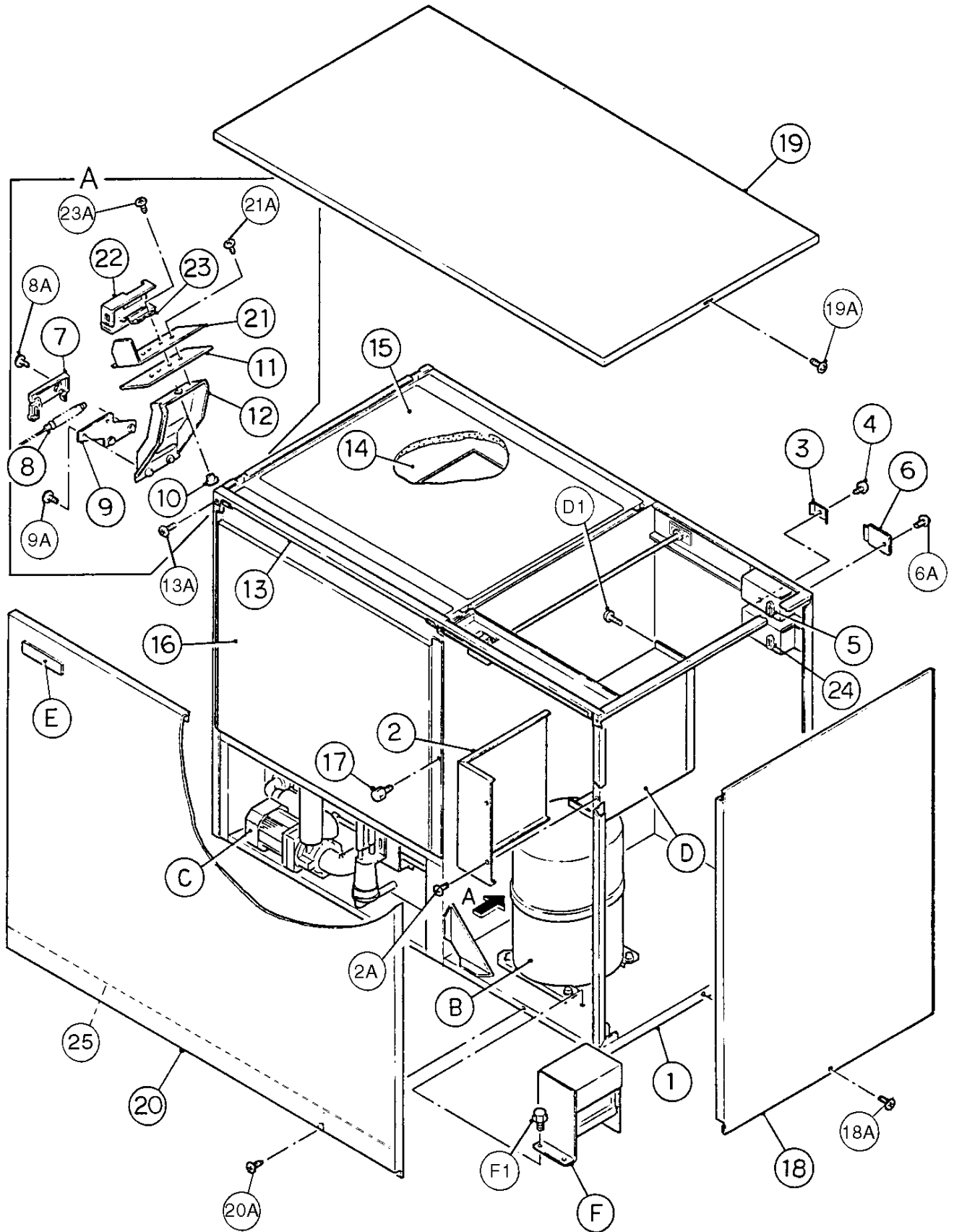
Ex.3





MODEL: KM-2000SWF3, SWH3 TITLE: A. ICE CUBER ASSEMBLY											
INDEX NO.	DESCRIPTION	MATERIAL OR MODEL NUMBER	PART NUMBER	REQUIRED NUMBER							
				KM-2000SWF3				KM-2000SWH3			
				H-0	H-1	J-0 K-0	L-0	M-0	M-1	M-3	
B	REFRIGERATION CIRCUIT	-	1A0228A01	1	1	1	1	1	-		
		-	1A0707A01						1	1	
C	WATER CIRCUIT	-	105122A05	1	1	1	1	1	1	1	
D	CONTROL BOX ASSEMBLY	HS-1105	2A1122A03	1	1	1	1	1	1	-	
		-	2A2527A01							1	
D1	T2 SCREW	4X8	7P31-0408	3	3	3	3				
E	LABEL LOCATION	-	2A1124A01	1	1	1					
		-	2A2098A01				1	1	1	-	
		-	2A2560A01							1	
F	TRANSFORMER BOX ASSEMBLY	HS-0126	3A1102A01	1	1	1	1	1	1	1	
F1	HEX HEAD BOLT WWASHER (LF)	5X10	7B0130510	4	4	4	4	4	4	4	
1	EVAPORATOR CASE	-	2A1102G06	1	1	1					
		-	2A2100G03				1	1	-		
		-	2A2100G04						1	1	
2	CONTROL BOX COVER	GS	3A0174-01	1	1	1	1	1	1	-	
		GS	3A2386-01								1
2A	T2 SCREW	4X8	7P31-0408	3	3	3	3	3	3	3	
3	SQUARE WASHER	BRASS	433537-02	1	1	1	1	1	1	1	
4	SCREW - GROUNDING	BRASS	433304-02	1	1	1	1	1	1	1	
5	BUSHING	SR-34-2	420472-05	1	1	1	1	1	1	1	
6	JUNCTION BOX COVER	GS	433410-01	1	1	1	1	1	1	1	
6A	T2 SCREW	4X8	7P31-0408	2	2	2	2	2	2	2	
7	BULB HOLDER	PE	328919-01	1	1	1	1	1	1	1	
8	SPACER	PE	443545-01	1	1	1	1	1	1	2	
8A	T2 SCREW	4X16, SS	7P32-0416	2	2	2	2	2	2	2	
9	BULB HOLDER (C)	ABS	325845G01	1	1	1	1	1	1	1	
9A	TRUSS HEAD SCREW	4X12, SS	7C32-0412	2	2	2	2	2	2	2	
10	BUSHING	EPDM	425307-01	1	1	1	1	1	1	1	
11	SPACER	ABS	439727-01	1	1	1	1	1	1	1	

MODEL: KM-2000SWF3, SWH3 TITLE: A. ICE CUBER ASSEMBLY											
INDEX NO.	DESCRIPTION	MATERIAL OR MODEL NUMBER	PART NUMBER	REQUIRED NUMBER							
				KM-2000SWF3				KM-2000SWH3			
				H-0	H-1 J-0	K-0	L-0	M-0	M-1	M-3	
12	BULB HOLDER (D)	ABS	215644G01	1	1	1	1	1	1	1	
13	FRONT PANEL - BRACKET	SS	323903-01	1	1	1	1	1	1	1	
13A	T2 SCREW	4X12, SS	7P32-0412	3	3	3	3	3	3	3	
14	SPACER	ABS	324321-01	1	1	1	1	1	1	1	
15	TOP INSULATION	ABS, PE	324216G01	1	1	1	1	1	1	1	
16	FRONT INSULATION	ABS, PE	326041G01	1	1	1	1	1	1	1	
17	THUMBSCREW	ABS, SS	415949G01	1	1	1	1	1	1	1	
18	SIDE PANEL (R)	SS	215381G01	1	1	1					
		SS	215381G02				1	1	1	1	
18A	TRUSS HEAD SCREW	4X8, SS	7C32-0408	3	3	3	3	3	3	3	
19	TOP PANEL	SS	213669-02	1	1	1					
		SS	2A2096-01				1	1	1	1	
19A	TRUSS HEAD SCREW	4X8, SS	7C32-0408	3	3	3	3	3	3	3	
20	FRONT PANEL	SS	325848G01	1	1	1					
		SS	3A1838G01				1	1	1	1	
20A	TRUSS HEAD SCREW	4X16, SS	7C32-0416	2	2	2	2	2	2	2	
21	BULB HOLDER (E)	GS	439725-01	1	1	1	1	1	1	1	
21A	TRUSS HEAD SCREW	4X12, SS	7C32-0412	2	2	2	2	2	2	2	
22	BULB HOLDER (F)	GS	328743-01	1	1	1	1	1	1	1	
23	BULB HOLDER (G)	GS	439726-01	1	1	1	1	1	1	1	
23A	TRUSS HEAD SCREW	4X6, SS	7C32-0406	2	2	2	2	2	2	2	
24	GASKET	L=1219	4A0808L02			1	1	1	1	1	

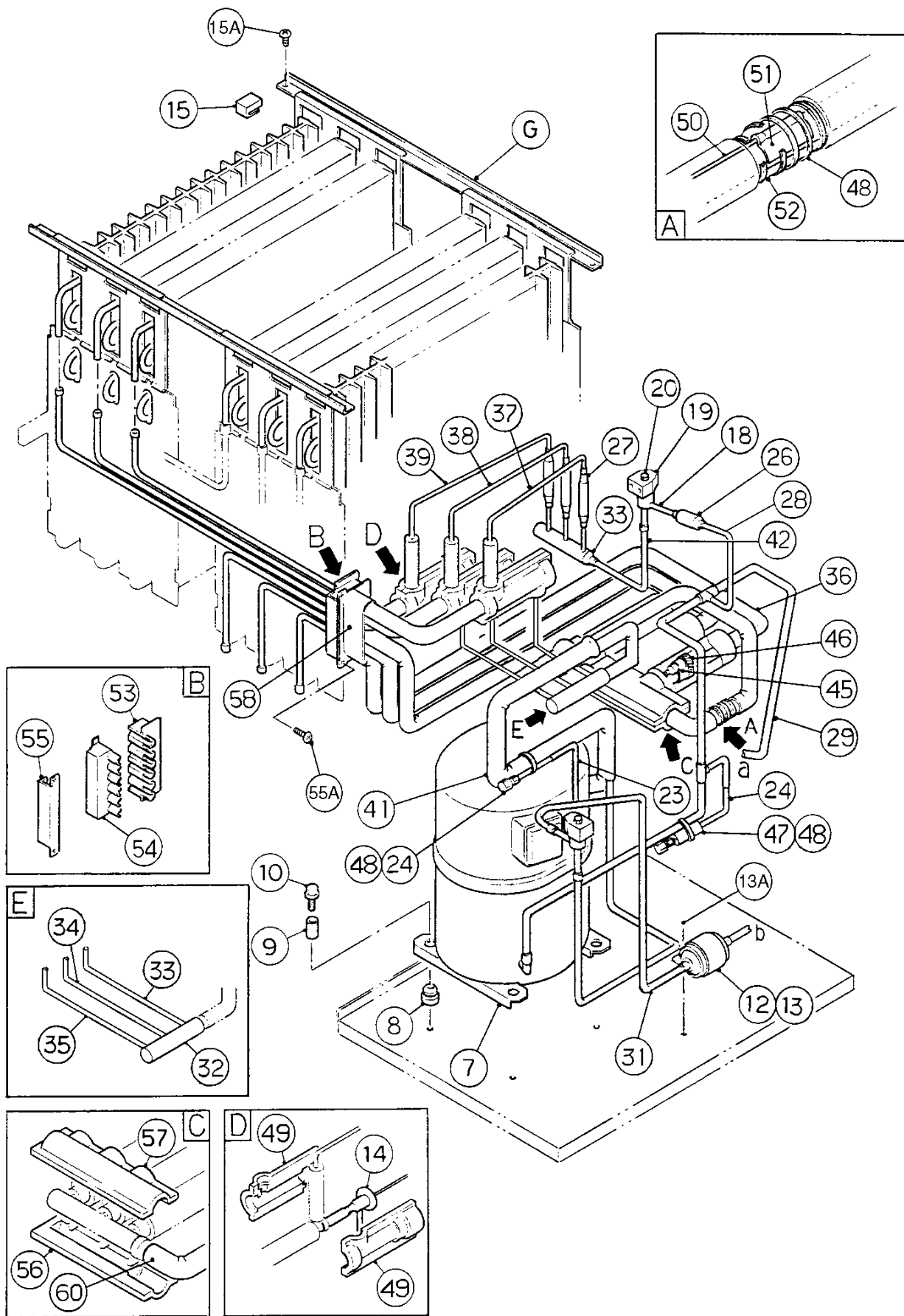


MODEL: KM-2000SRF3, SRH3 TITLE: A. ICE CUBER ASSEMBLY											
INDEX NO.	DESCRIPTION	MATERIAL OR MODEL NUMBER	PART NUMBER	REQUIRED NUMBER							
				KM-2000SRF3				KM-2000SRH3			
				H-0	H-1	J-1 K-0	L-0	M-0	M-1	M-2	
B	REFRIGERATION CIRCUIT	-	1A0237A01	1	1	1	1	1	x1		
		-	1A0237A02						o1	1	
C	WATER CIRCUIT	-	105122A05	1	1	1	1	1	1	1	
D	CONTROL BOX ASSEMBLY	-	2A1122A03	1	1	1	1	1	1	-	
		-	2A2527A01							1	
D1	T2 SCREW	4X8	7P31-0408	3	3	3	3	3	3	3	
E	LABEL LOCATION	-	2A1125A01	1	1	1					
		-	2A2097A01				1	1	1	-	
		-	2A2561A01							1	
F	TRANSFORMER BOX ASSEMBLY	HS-0126	3A1102A01	1	1	1	1	1	1	1	
F1	HEX HEAD BOLT WWASHER (LF)	5X10	7B0130510	4	4	4	4	4	4	4	
1	EVAPORATOR CASE	-	2A1102G07	1	1	1					
		-	2A2100G02				1	1	1	1	
2	CONTROL BOX COVER	GS	3A0174-01	1	1	1	1	1	1	-	
		GS	3A2386-01							1	
2A	T2 SCREW	4X8	7P31-0408	3	3	3	3	3	3	3	
3	SQUARE WASHER	BRASS	433537-02	2	2	2	2	2	2	2	
4	SCREW - GROUNDING	BRASS	433304-02	2	2	2	2	2	2	2	
5	BUSHING	SR-34-2	420472-05	1	1	1	1	1	1	1	
6	JUNCTION BOX COVER	GS	433410-01	2	2	2	2	2	2	2	
6A	T2 SCREW	4X8	7P31-0408	2	2	2	2	2	2	2	
7	BULB HOLDER	PE	328919-01	1	1	1	1	1	1	1	
8	SPACER	PE	443545-01	1	1	1	1	1	1	2	
8A	T2 SCREW	4X16, SS	7P32-0416	2	2	2	2	2	2	2	
9	BULB HOLDER (C)	ABS	325845G01	1	1	1	1	1	1	1	
9A	TRUSS HEAD SCREW	4X12, SS	7C32-0412	2	2	2	2	2	2	2	
10	BUSHING	EPDM	425307-01	1	1	1	1	1	1	1	
11	SPACER	ABS	439727-01	1	1	1	1	1	1	1	

MODEL: KM-2000SRF3, SRH3 TITLE: A. ICE CUBER ASSEMBLY											
INDEX NO.	DESCRIPTION	MATERIAL OR MODEL NUMBER	PART NUMBER	REQUIRED NUMBER							
				KM-2000SRF3				KM-2000SRH3			
				H-0	H-1	J-1 K-0	L-0	M-0	M-1	M-2	
12	BULB HOLDER (D)	ABS	215644G01	1	1	1	1	1	1	1	
13	FRONT PANEL - BRACKET	SS	323903-01	1	1	1	1	1	1	1	
13A	T2 SCREW	4X12, SS	7P32-0412	3	3	3	3	3	3	3	
14	SPACER	ABS	324321-01	1	1	1	1	1	1	1	
15	TOP INSULATION	ABS, PE	324216G01	1	1	1	1	1	1	1	
16	FRONT INSULATION	ABS, PE	326041G01	1	1	1	1	1	1	1	
17	THUMBSCREW	ABS, SS	415949G01	1	1	1	1	1	1	1	
18	SIDE PANEL (R)	SS	215381G01	1	1	1					
		SS	215381G02				1	1	1	1	
18A	TRUSS HEAD SCREW	4X8, SS	7C32-0408	3	3	3	3	3	3	3	
19	TOP PANEL	SS	213669-02	1	1	1					
		SS	2A2096-01				1	1	1	1	
19A	TRUSS HEAD SCREW	4X8, SS	7C32-0408	3	3	3	3	3	3	3	
20	FRONT PANEL	SS	325848G01	1	1	1					
		SS	3A1838G01				1	1	1	1	
20A	TRUSS HEAD SCREW	4X16, SS	7C32-0416	2	2	2	2	2	2	2	
21	BULB HOLDER (E)	GS	439725-01	1	1	1	1	1	1	1	
21A	TRUSS HEAD SCREW	4X12, SS	7C32-0412	2	2	2	2	2	2	2	
22	BULB HOLDER (F)	GS	328743-01	1	1	1	1	1	1	1	
23	BULB HOLDER (G)	GS	439726-01	1	1	1	1	1	1	1	
23A	TRUSS HEAD SCREW	4X6, SS	7C32-0406	2	2	2	2	2	2	2	
24	BUSHING	SR-30-1	420472-03	1	1	1	1	1	1	1	
25	GASKET	L=1219	4A0808L02			1	1	1	1	1	

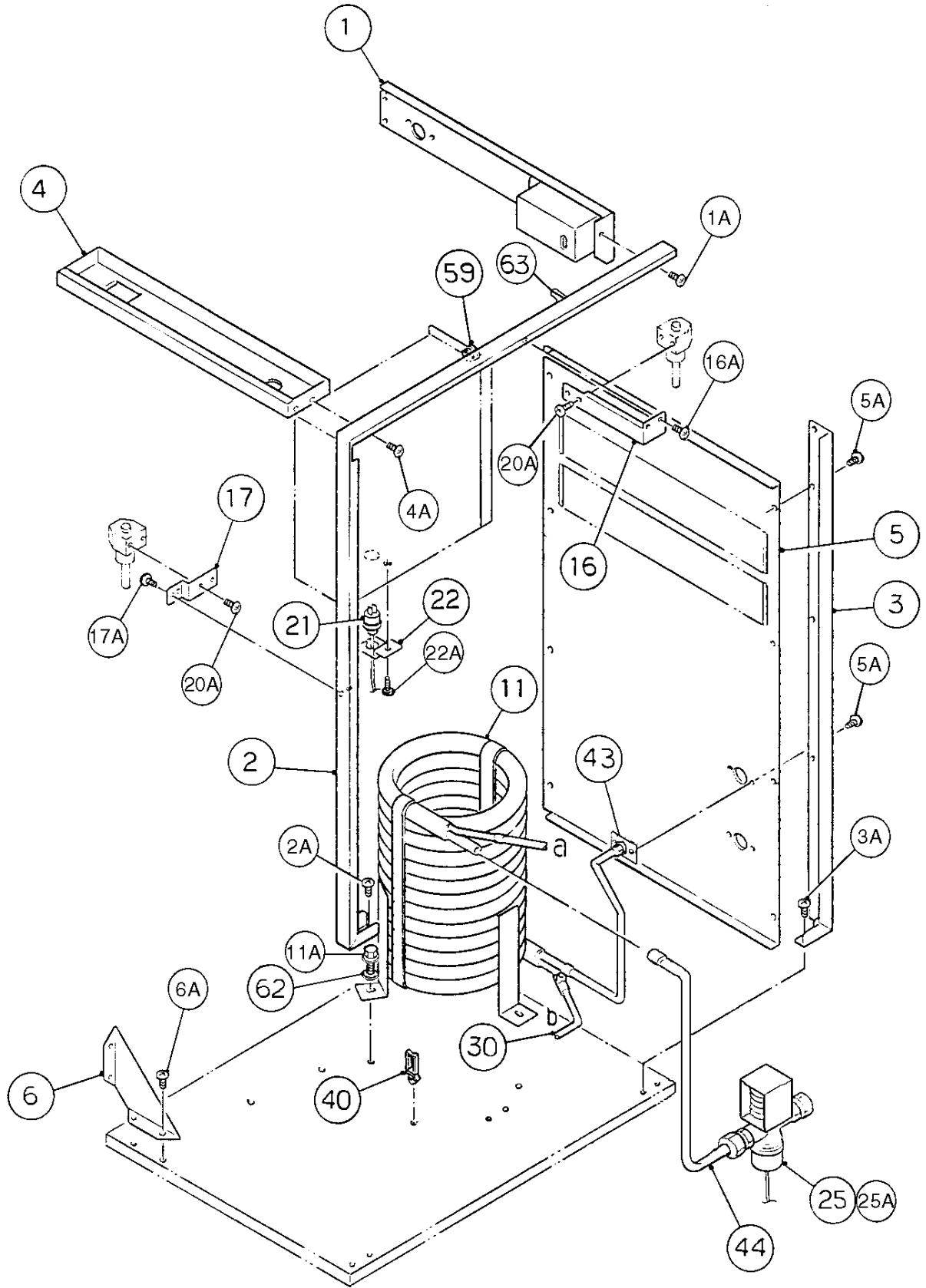
HA

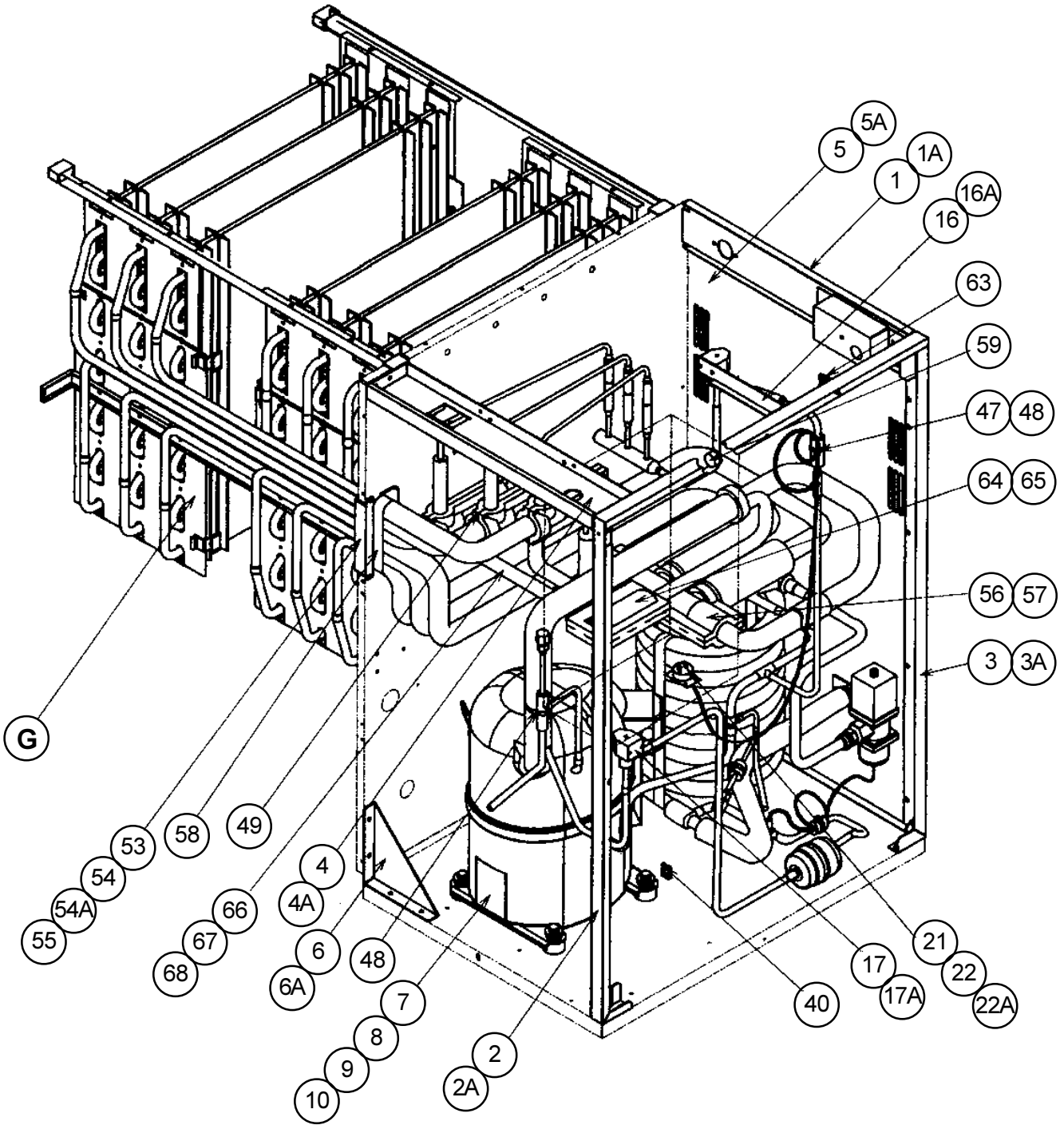
KM-2000SWF3, KM-2000SWH3 B. REFRIGERATION CIRCUIT 1/2 H-0, H-1, J-0, K-0, L-0, M-0

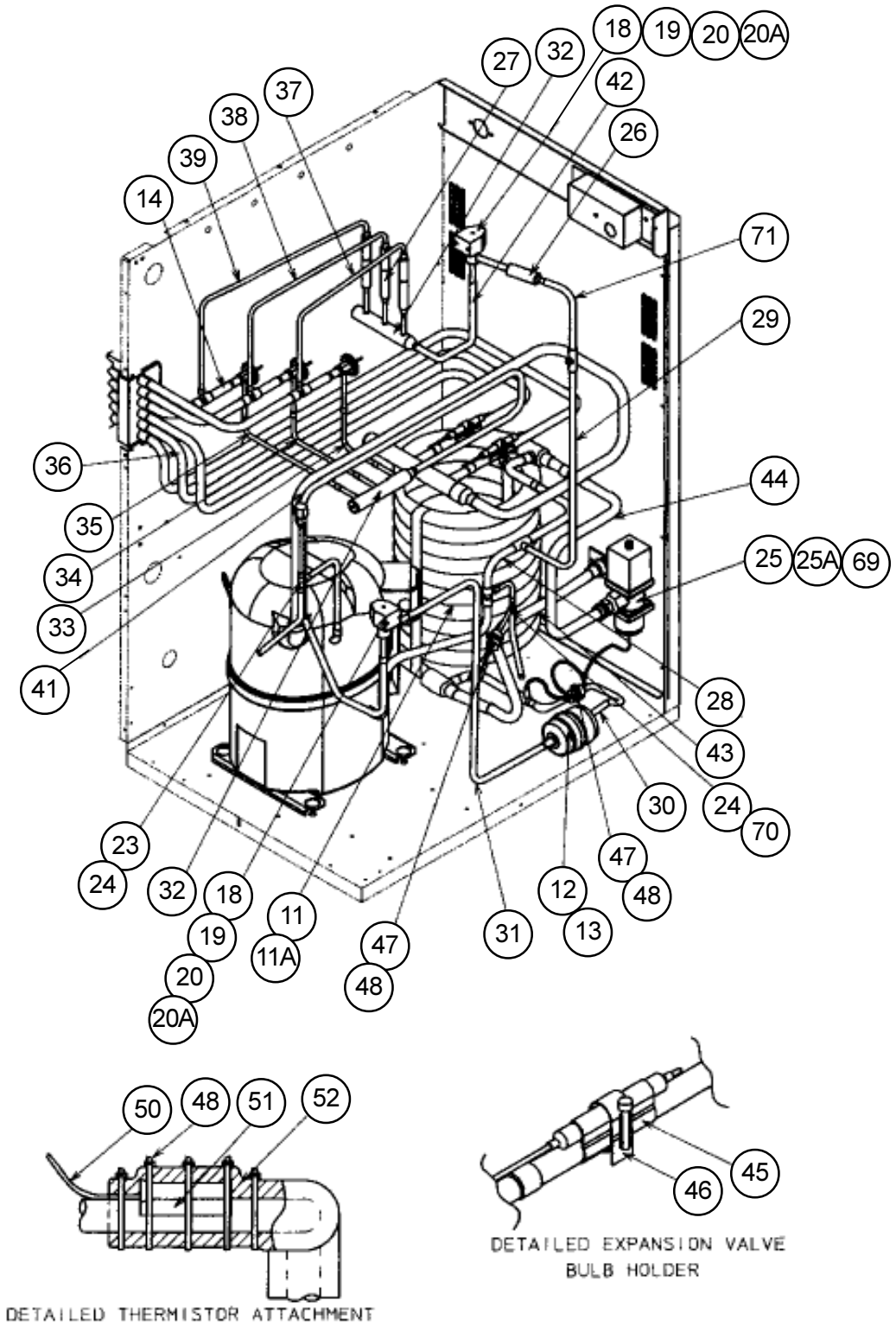


HA

KM-2000SWF3, KM-2000SWH3 B. REFRIGERATION CIRCUIT 2/2 H-0, H-1, J-0, K-0, L-0, M-0





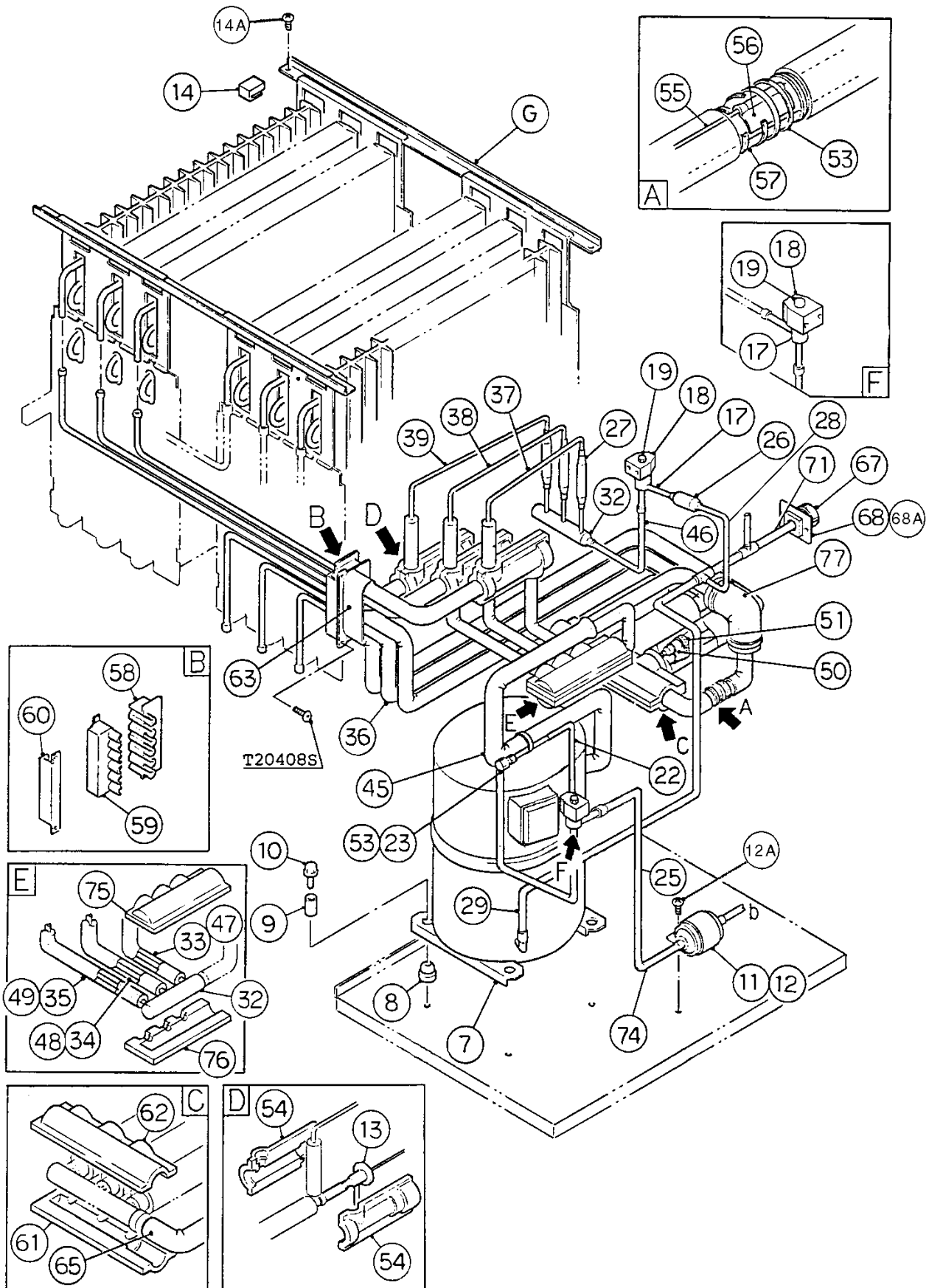


MODEL: KM-2000SWF3, SWH3 TITLE: B. REFRIGERATION CIRCUIT											
INDEX NO.	DESCRIPTION	MATERIAL OR MODEL NUMBER	PART NUMBER	REQUIRED NUMBER							
				KM-2000SWF3				KM-2000SWH3			
				H-0	H-1	J-0 K-0	L-0	M-0	M-1	M-3	
G	EVAPORATOR	-	105103A01	1	1	1	1	1	1	1	
1	REAR FRAME	GS	439285G04	1	1	1	1	1	1	1	
1A	T2 SCREW	4x8	7P31-0408	2	2	2	2	2	2	2	
2	SIDE FRAME (A)	GS	215375G01	1	1	1	1	1	1	1	
2A	T2 SCREW	4x8	7P31-0408	3	3	3	3	3	3	3	
3	SIDE FRAME (B)	GS	215376G01	1	1	1	1	1	1	1	
3A	T2 SCREW	4x8	7P31-0408	4	4	4	4	4	4	4	
4	FRONT FRAME	GS	325857-01	1	1	1	1	1	1	1	
4A	T2 SCREW	4x8	7P31-0408	4	4	4	4	4	4	4	
5	REAR PANEL	GS	2A1112-01	1	1	1	1	1	1	1	
5A	T2 SCREW	4x8	7P31-0408	10	10	10	10	10	10	10	
6	BRACE	GS	325858-01	1	1	1	1	1	1	1	
6A	T2 SCREW	4x8	7P31-0408	4	4	4	4	4	4	4	
7	COMPRESSOR	CS20-K6E-TF5-237	4A1419-01	1	1	1	1	1	1	1	
8	GROMMET	027-0167-00	434922-01	4	4	4	4	4	4	4	
9	SPACER	028-0188-02	434921-01	4	4	4	4	4	4	4	
10	BOLT	8 x 45	437889-01	4	4	4	4	4	4	4	
11	CONDENSER - WATER-COOLED	-	219382-02	1	1	1	1	1	-		
		-	2A2359G05						1	1	
11A	HEX HEAD BOLT W/WASHER (LF)	5X12	7B0130512	3	3	3	3	3	2	2	
12	DRIER	C-053-S	4A1461-01	1	1	1	1	1	1	x1	
		-	4A2663-01							o1	
13	DRIER BRACKET	GS	445251-01	1	1	1	1	1	1	-	
	NYLON TIE	-	8911-0301							1	
13A	T2 SCREW	4x8	7P31-0408	1	1	1	1	1	1	-	
14	EXP. VALVE	HFE-10NHD-2	4A1414-01	3	3	3	3	3	3	3	
15	FRAME SEAL	EPDM	323925-01	4	4	4	4	4	4	4	
15A	T2 SCREW	4x12, SS	7P32-0412	6	6	6	6	6	6	6	

MODEL: KM-2000SWF3, SWH3 TITLE: B. REFRIGERATION CIRCUIT											
INDEX NO.	DESCRIPTION	MATERIAL OR MODEL NUMBER	PART NUMBER	REQUIRED NUMBER							
				KM-2000SWF3			KM-2000SWH3				
				H-0	H-1 J-0	K-0	L-0	M-0	M-1	M-3	
16	HOT GAS VALVE BRACKET	GS	442162-01	1	1	1	1	1	1	1	
16A	T2 SCREW	4x8	7P31-0408	2	2	2	2	2	2	2	
17	LINE VALVE BRACKET	GS	4A1406-01	1	1	1	1	1	1	1	
17A	T2 SCREW	4x8	7P31-0408	2	2	2	2	2	2	2	
18	VALVE BODY	70	440352-01	2	2	2	2	2	2	2	
19	COIL - VALVE	ABS-25-1-HD-2	440353-01	2	2	2	2	2	2	2	
20	BOLT	4 X6	440353F01	2	2	2	2	2	2	2	
20A	TRUSS HEAD SCREW	4X8	7C31-0408	4	4	4	4	4	4	4	
21	PRESSURE SWITCH	ACB-2UB04	433441-05	1	1	1	1	1	1	1	
22	PRESSURE SWITCH BRACKET	GS	434938-01	1	1	1	1	1	1	1	
22A	T2 SCREW	4x8	7P31-0408	1	1	1	1	1	1	1	
23	COPPER TUBE - ACCESS VALVE	COPPER	4A1497G01	1	1	1	1	1	1	1	
24	ACCESS VALVE	TCJ-2F15-HD	446715-01	2	2	x2		2	x2		
		-	457729-01			o2	2		o2	2	
25	WATER REGULATOR	V46EB-20D	4A1417-01	1	1	1	1	1	1	1	
25A	TRUSS HEAD SCREW	4X6	7C31-0406	2	2	2	2	2	2	2	
26	STRAINER	-	441569-02	1	1	1	1	1	1	1	
27	CHECK VALVE	SKC 30564	4A1373-01	3	3	3	3	3	3	3	
28	COPPER TUBE (A) - HIGH SIDE	COPPER	2A1105G01	1	1	1	1	1	-		
		COPPER	2A2481G01						1	1	
29	COPPER TUBE (B) - HIGH SIDE	COPPER	332460-01	1	1	1	1	1	-		
		COPPER	2A344-01						1	1	
30	COPPER TUBE (C) - HIGH SIDE	COPPER	4A1469G01	1	1	1	1	1	-		
		COPPER	4A2763G01						1	1	
31	COPPER TUBE (F) - HIGH SIDE	COPPER	3A1104-01	1	1	1	1	1	1	-	
		COPPER	3A2343-01							1	
32	HEADER - S	750489	441038-01	2	2	2	2	2	2	2	
33	COPPER TUBE (A) - EXP. VALVE	COPPER	4A1464-01	1	1	1	1	1	1	1	
34	COPPER TUBE (B) - EXP. VALVE	COPPER	4A1465-01	1	1	1	1	1	1	1	

MODEL: KM-2000SWF3, SWH3 TITLE: B. REFRIGERATION CIRCUIT											
INDEX NO.	DESCRIPTION	MATERIAL OR MODEL NUMBER	PART NUMBER	REQUIRED NUMBER							
				KM-2000SWF3				KM-2000SWH3			
				H-0	H-1 J-0	K-0	L-0	M-0	M-1	M-3	
35	COPPER TUBE (C) - EXP. VALVE	COPPER	4A1466-01	1	1	1	1	1	1	1	
36	COPPER TUBE - LOW SIDE	COPPER	106803G01	1	1	1	1	1	1	1	
37	COPPER TUBE (A) - LOW SIDE	COPPER	2A1108-01	1	1	1	1	1	1	1	
38	COPPER TUBE (B) - LOW SIDE	COPPER	2A1109-01	1	1	1	1	1	1	1	
39	COPPER TUBE (C) - LOW SIDE	COPPER	2A1110G01	1	1	1	1	1	1	1	
40	WIRE SADDLE	-	4A0448-02	3	3	3	3	3	3	3	
41	HEAT EXCHANGER	COPPER	1A0235G01	1	1	1	1	1	1	1	
42	COPPER TUBE - HOT GAS	COPPER	4A1463-01	1	1	1	1	1	1	1	
43	COPPER TUBE (A)	COPPER	3A0997G01	1	1	1	1	1	-		
		COPPER	3A2315G01						1	1	
44	COPPER TUBE (B)	COPPER	4A1470G01	1	1	1	1	1	-		
		COPPER	4A2762G01						1	1	
45	HOLDER / EXP. VALVE - 3/8	SS	3A0107-01	3	3	3	3	3	3	3	
46	CLAMP	SS	443461-01	3	3	3	3	3	3	3	
47	INSULATION TUBE	L=40	7762-1020	3	3	3	3	3	3	3	
48	CABLE TIE	CV-200	7920-0010	14	14	14	14	14	14	14	
49	EXP. VALVE COVER	PE FOAM	3A0944-01	3	3	3	3	3	3	3	
50	THERMISTOR	-	429006-03	1	1	1	1	1	1	1	
51	HOLDER - THERMISTOR	COPPER	438247-01	1	1	1	1	1	1	1	
52	INSULATION - THERMISTOR	PE FOAM	427441-01	1	1	1	1	1	1	1	
53	RUBBER INSULATION (A)	EPDM	325864-01	1	1	1	1	1	1	1	
54	RUBBER INSULATION (B)	EPDM	325865-01	1	1	1	1	1	1	1	
54A	T2 SCREW	4x8, SS	7P32-0408	2	2	2	2	2	2	2	
55	INSULATION HOLDER	SS	325863-01	1	1	1	1	1	1	1	
56	HEADER COVER (B1)	PE FOAM	325862-01	1	1	1	1	1	1	1	
57	HEADER COVER (B2)	PE FOAM	325862-02	1	1	1	1	1	1	1	
58	INSULATION	PE FOAM	436671-02	1	1	1	1	1	1	1	
59	BUSHING	OCB-500	428394-02	1	1	1	1	1	1	1	
60	INSULATION TUBE	L=105	7762-1630	1	1	1	1	1	-		

MODEL: KM-2000SWF3, SWH3 TITLE: B. REFRIGERATION CIRCUIT											
INDEX NO.	DESCRIPTION	MATERIAL OR MODEL NUMBER	PART NUMBER	REQUIRED NUMBER							
				KM-2000SWF3				KM-2000SWH3			
				H-0	H-1 J-0	K-0	L-0	M-0	M-1	M-3	
61	TERMINAL GASKET	-	334084-01	1	1	1	1	1	-		
62	WASHER	SS	4A0655-03	1	1	1	1	1	-		
63	CLAMP	-	4A2338-01			1	1	1	1	1	
64	HEADER COVER (A1)	-	325861-01						1	1	
65	HEADER COVER (A2)	-	325861-02						1	1	
66	INSULATION TUBE	L=239	7762-1020						1	1	
67	INSULATION TUBE	L=284	7762-1020						1	1	
68	INSULATION TUBE	L=328	7762-1020						1	1	
69	MALE CONNECTOR	-	445180-01						1	1	
70	COPPER TUBE (J) – HIGH SIDE	COPPER	3A1105G01						1	1	
71	COPPER TUBE (M) – HIGH SIDE	-	4A2898G01						1	1	

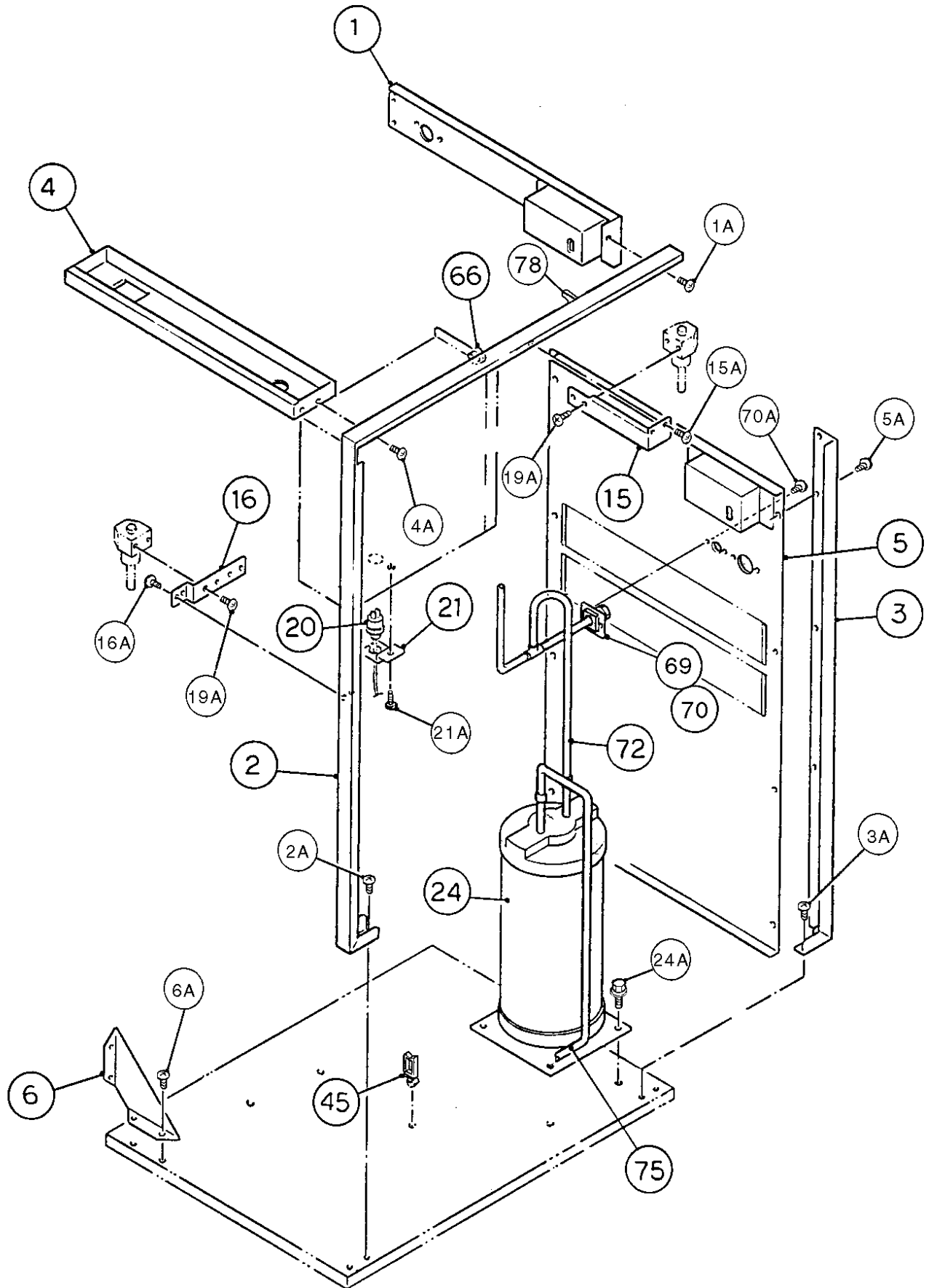


HA

KM-2000SRF3, KM-2000SRH3

B. REFRIGERATION CIRCUIT 2/2

H-0, H-1, J-1, K-0,
L-0, M-0, M-1, M-2

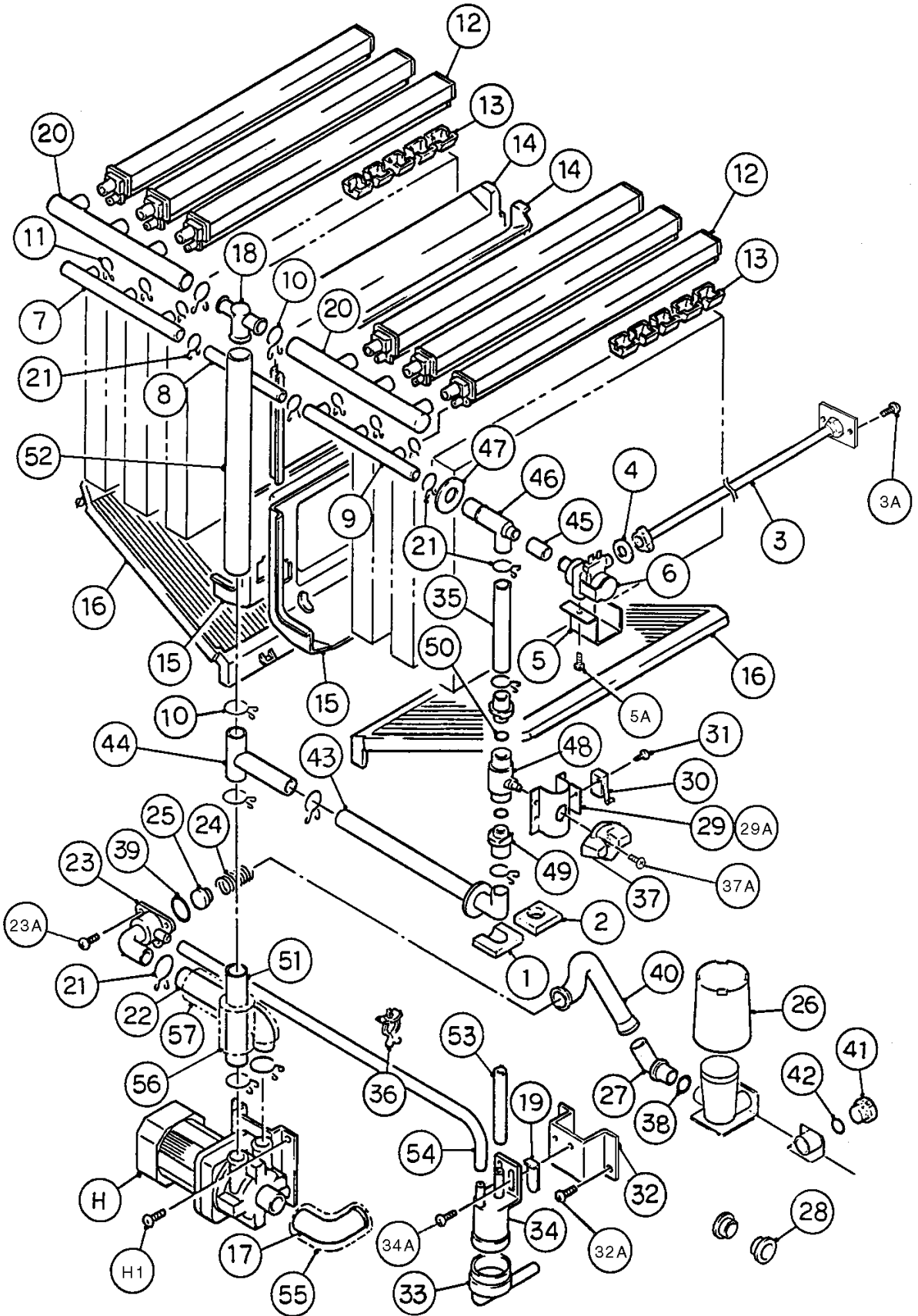


MODEL: KM-2000SRF3, SRH3 TITLE: B. REFRIGERATION CIRCUIT											
INDEX NO.	DESCRIPTION	MATERIAL OR MODEL NUMBER	PART NUMBER	REQUIRED NUMBER							
				KM-2000SRF3				KM-2000SRH3			
				H-0	H-1	J-1 K-0	L-0	M-0	M-1	M-2	
G	EVAPORATOR	-	105103A01	1	1	1	1	1	1	1	
1	REAR FRAME	GS	439285G04	1	1	1	1	1	1	1	
1A	T2 SCREW	4X8	7P31-0408	2	2	2	2	2	2	2	
2	SIDE FRAME (A)	GS	215375G01	1	1	1	1	1	1	1	
2A	T2 SCREW	4X8	7P31-0408	3	3	3	3	3	3	3	
3	SIDE FRAME (B)	GS	215376G01	1	1	1	1	1	1	1	
3A	T2 SCREW	4X8	7P31-0408	4	4	4	4	4	4	4	
4	FRONT FRAME	GS	325857-01	1	1	1	1	1	1	1	
4A	T2 SCREW	4X8	7P31-0408	4	4	4	4	4	4	4	
5	REAR PANEL	GS	215378G01	1	1	1	1	1	1	1	
5A	T2 SCREW	4X8	7P31-0408	10	10	10	10	10	10	10	
6	BRACE	GS	325858-01	1	1	1	1	1	1	1	
7	COMPRESSOR	C520-K6E-TF5-279	4A1419-02	1	1	1	1	1	1	1	
8	GROMMET	027-0167-00	434922-01	4	4	4	4	4	4	4	
9	SPACER	028-0188-02	434921-01	4	4	4	4	4	4	4	
10	BOLT	8 x 45	437889-01	4	4	4	4	4	4	4	
11	DRIER	C-053-S	4A1461-01	1	1	1	1	1	x1		
									o1	1	
12	DRIER BRACKET	GS	445251-01	1	1	1	1	1	-		
	NYLON TIE	-	8911-0301						1	1	
12A	T2 SCREW	4X8	7P31-0408	1	1	1	1	1	-		
13	EXPANSION VALVE	HFE-10NHD-1	4A1414-01	3	3	3	3	3	3	3	
14	FRAME SEAL	EPDM	323925-01	4	4	4	4	4	4	4	
14A	TRUSS HEAD SCREW	4X12, SS	7C32-0412	6	6	6	6	6	6	6	
15	HOT GAS VALVE BRACKET	GS	442162-01	1	1	1	1	1	1	1	
15A	T2 SCREW	4X8	7P31-0408	2	2	2	2	2	2	2	
16	LINE VALVE BRACKET	GS	4A1406-01	1	1	1	1	1	1	1	
16A	T2 SCREW	4X8	7P31-0408	2	2	2	2	2	2	2	
17	VALVE BODY	70	440352-01	2	2	2	2	2	2	2	

MODEL: KM-2000SRF3, SRH3 TITLE: B. REFRIGERATION CIRCUIT										
INDEX NO.	DESCRIPTION	MATERIAL OR MODEL NUMBER	PART NUMBER	REQUIRED NUMBER						
				KM-2000SRF3			KM-2000SRH3			
				H-0	H-1 J-1	K-0	L-0	M-0	M-1	M-2
18	COIL - VALVE	ABS-25-1-HD-2	440353-01	2	2	2	2	2	2	2
19	BOLT	4X6	440353F01	2	2	2	2	2	2	2
19A	TRUSS HEAD SCREW	4X8	7C310408	4	4	4	4	4	4	4
20	PRESSURE SWITCH	ACB-1UB09	433441-07	1	1	1	1	1	1	1
21	PRESSURE SWITCH BRACKET	GS	434938-01	1	1	1	1	1	1	1
21A	T2 SCREW	4X8	7P31-0408	1	1	1	1	1	1	1
22	COPPER TUBE - ACCESS VALVE	COPPER	4A1497G01	1	1	1	1	1	1	1
23	ACCESS VALVE	-	446715-01	1	1	x1	1	1	1	1
		-	457729-01			o1	1	1	1	1
24	RECEIVER	RR MN WP450	438209-01	1	1	1	1	1	1	1
24A	HEX HEAD BOLT W/WASHER (LF)	5X10	7B0130510	3	3	3	3	3	3	3
25	COPPER TUBE - CAPILLARY	COPPER	445174G01	1	1	1	1	1	1	1
26	STRAINER	-	441569-02	1	1	1	1	1	1	1
27	CHECK VALVE	YCV5-2	425342-01	3	1	1	1	1	1	1
28	COPPER TUBE (A) - HIGH SIDE	COPPER	2A0527G02	1	1	1	1	1	1	1
29	VALVE BODY	24	440351-01	1	1	1	1	1	1	1
30	COIL - VALVE	ADS-24HD-3	440354-01	1	1	1	1	1	1	1
31	BOLT	4x6	440354F01	1	1	1	1	1	1	1
32	HEADER - S	750489	441038-01	2	2	2	2	2	2	2
33	COPPER TUBE (A) - EXP. VALVE	COPPER	446515-01	1	1	1	1	1	1	1
34	COPPER TUBE (B) - EXP. VALVE	COPPER	446516-01	1	1	1	1	1	1	1
35	COPPER TUBE (C) - EXP. VALVE	COPPER	446517-01	1	1	1	1	1	1	1
36	COPPER TUBE - LOW SIDE	COPPER	106803G01	1	1	1	1	1	1	1
37	COPPER TUBE (A) - LOW SIDE	COPPER	326312G01	1	1	1	1	1	1	1
38	COPPER TUBE (B) - LOW SIDE	COPPER	326313G01	1	1	1	1	1	1	1
39	COPPER TUBE (C) - LOW SIDE	COPPER	326314G01	1	1	1	1	1	1	1
40	INSULATION - COMPRESSOR TOP	VNN 2C1 (SOFT)	447118-01	1	1	1	1	1	1	1

MODEL: KM-2000SRF3, SRH3 TITLE: B. REFRIGERATION CIRCUIT											
INDEX NO.	DESCRIPTION	MATERIAL OR MODEL NUMBER	PART NUMBER	REQUIRED NUMBER							
				KM-2000SRF3			KM-2000SRH3				
				H-0	H-1	J-1 K-0	L-0	M-0	M-1	M-2	
41	INSULATION - COMPRESSOR RIGHT	VNN 2C1 (SOFT)	447119-01	1	1	1	1	1	1	1	
42	INSULATION - COMPRESSOR CENTER	VNN 2C1 (SOFT)	447120-01	1	1	1	1	1	1	1	
43	INSULATION - COMPRESSOR LEFT	VNN 2C1 (SOFT)	447121-01	1	1	1	1	1	1	1	
44	WIRE SADDLE	VWS4238-C	4A0338-02	3	3	3	3	3	3	3	
45	HEAT EXCHANGER	COPPER	106804G01	1	1	1	1	1	1	1	
46	COPPER TUBE - HOT GAS	COPPER	4A0804-01	1	1	1	1	1	1	1	
47	INSULATION TUBE	L=219	7762-1020	1	1	1	1	1	1	1	
48	INSULATION TUBE	L=264	7762-1020	1	1	1	1	1	1	1	
49	INSULATION TUBE	L=308	7762-1020	1	1	1	1	1	1	1	
50	HOLDER / EXP. VALVE - 3/8	SS	3A0107-01	3	3	3	3	3	3	3	
51	CLAMP	SS	443461-01	3	3	3	3	3	3	3	
52	INSULATION TUBE	L=40	7762-1020	3	3	3	3	3	3	3	
53	CABLE TIE	CV-200	7920-0010	11	11	11	11	11	11	11	
54	EXP. VALVE COVER	PE FOAM	3A0944-01	3	3	3	3	3	3	3	
55	THERMISTOR	-	429006-03	1	1	1	1	1	1	1	
56	HOLDER - THERMISTOR	COPPER	438247-01	1	1	1	1	1	1	1	
57	INSULATION - THERMISTOR	PE FOAM	427441-01	1	1	1	1	1	1	1	
58	RUBBER INSULATION (A)	EPDM	325864-01	1	1	1	1	1	1	1	
59	RUBBER INSULATION (B)	EPDM	325865-01	1	1	1	1	1	1	1	
60	INSULATION HOLDER	SS	325863-01	1	1	1	1	1	1	1	
60A	T2 SCREW	4X8, SS	7P32-0408	2	2	2	2	2	2	2	
61	HEADER COVER (B1)	PE FOAM	325862-01	1	1	1	1	1	1	1	
62	HEADER COVER (B2)	PE FOAM	325862-02	1	1	1	1	1	1	1	
63	INSULATION	PE FOAM	436671-02	1	1	1	1	1	1	1	
64	BUSHING	OCB-500	428394-02	1	1	1	1	1	1	1	
65	INSULATION TUBE	L=105	7762-1630	1	1	1	1	1	1	1	

MODEL: KM-2000SRF3, SRH3 TITLE: B. REFRIGERATION CIRCUIT										
INDEX NO.	DESCRIPTION	MATERIAL OR MODEL NUMBER	PART NUMBER	REQUIRED NUMBER						
				KM-2000SRF3			KM-2000SRH3			
				H-0	H-1 J-1	K-0	L-0	M-0	M-1	M-2
66	TERMINAL GASKET	-	334084-01	1	1	1	1	1	1	1
67	COUPLING	COPPER	434136G01	1	1	1	1	1	1	1
68	TUBE HOLDER (L)	GS	438245-01	1	1	1	1	1	1	1
68A	T2 SCREW	4X8	7P31-0408	2	2	2	2	2	2	2
69	COUPLING	COPPER	433751G01	1	1	1	1	1	1	1
70	TUBE HOLDER (S)	GS	438246-01	1	1	1	1	1	1	1
70A	T2 SCREW	4X8	7P31-0408	2	2	2	2	2	2	2
71	COPPER TUBE (B) - HIGH SIDE	COPPER	445178G01	1	1	1	1	1	1	1
72	COPPER TUBE (D) - HIGH SIDE	COPPER	331009G01	1	1	1	1	1	1	1
73	COPPER TUBE (E) - HIGH SIDE	COPPER	3A0992-01	1	1	1	1	1	1	1
74	COPPER TUBE (F) - HIGH SIDE	COPPER	3A1104-01	1	1	1	1	1	-	
		COPPER	3A2336-01						1	1
75	HEADER COVER (A1)	PE FOAM	325861-01	1	1	1	1	1	1	1
76	HEADER COVER (A2)	PE FOAM	325861-02	1	1	1	1	1	1	1
77	INSULATION TUBE	L=150	7762-3555	1	1	1	1	1	1	1
78	CLAMP	-	4A2338-01			1	1	1	1	1



MODEL: KM-2000SWF3, SRF3, SWH3, SRH3 TITLE: C. WATER CIRCUIT											
INDEX NO.	DESCRIPTION	MATERIAL OR MODEL NUMBER	PART NUMBER	REQUIRED NUMBER							
				KM-2000SWF3				KM-2000SWH3			
				KM-2000SRF3				KM-2000SRH3			
H-0	H-1	K-0	L-0	M-1	M-2						
	J-0		M-0		M-3						
	J-1										
H	PUMP MOTOR ASSEMBLY	(S-0730)	215692A01	1	1	1	1	1	1		
H1	TRUSS HEAD SCREW	5X8, SS	7C32-0508	2	2	2	2	2	2		
1	CORNER INSULATION (A)	PE FOAM	439376-01	1	1	1	1	1	1		
2	CORNER INSULATION (B)	PE FOAM	439392-01	1	1	1	1	1	1		
3	WATER SUPPLY PIPE	COPPER	4A0768G03	1	1	1	1	1	1		
3A	T2 SCREW	4X8	7P31-0408	2	2	2	2	2	2		
4	RUBBER GASKET	SI.R	413854-03	1	1	1	1	1	1		
5	WATER VALVE BRACKET	GS	321443-01	1	1	1	1	1	1		
5A	T2 SCREW	4X8	7P31-0408	1	1	1	1	1	1		
6	WATER VALVE	J248-106	3U0136-01	1	1	1	1	1	1		
7	DISTRIBUTOR HOSE (A)	EPDM	325738-01	1	1	1	1	1	1		
8	JOINT PIPE	ABS	439297-01	1	1	1	1	1	1		
9	DISTRIBUTOR HOSE (B)	EPDM	325738-02	1	1	1	1	1	1		
10	HOSE CLAMP	SS, 32MM	427443-09	4	4	9	9	9	9		
11	HOSE CLAMP	SS, 13.5MM	427443-07	6	6	6	6	6	6		
12	SPRAY TUBE	ABS	437049G01	6	6	6	6	6	6		
13	SPRAY GUIDE (A)	PE	208586-01	18	18	18	18	18	18		
14	SEPARATOR (A)	ABS	215046-01	2	2	2	2	2	2		
15	SEPARATOR (B)	SS	2A0100-01	2	2	2	2	2	2		
16	CUBE GUIDE	ABS	214243-01	2	2	2	2	2	2		
17	HOSE (A)	EPDM	435091-01	1	1	1	1	1	1		
18	DISTRIBUTOR (A)	ABS	439266-01	1	1	1	1	1	1		
19	FLOAT SWITCH STOP	SS	4A0137-01	1	1	1	1	1	1		
20	DISTRIBUTOR HOSE (C)	EPDM	325739-01	2	2	2	2	2	2		
21	HOSE CLAMP	SS, 25MM	427443-03	9	9	9	9	9	9		
22	HOSE (B)	EPDM	325867-01	1	1	1	1	1	1		
23	VALVE HOUSING - DRAIN	ABS	323613-01	1	1	1	1	1	1		
23A	TRUSS HEAD SCREW	4X10, SS	7C32-0410	3	3	3	3	3	3		

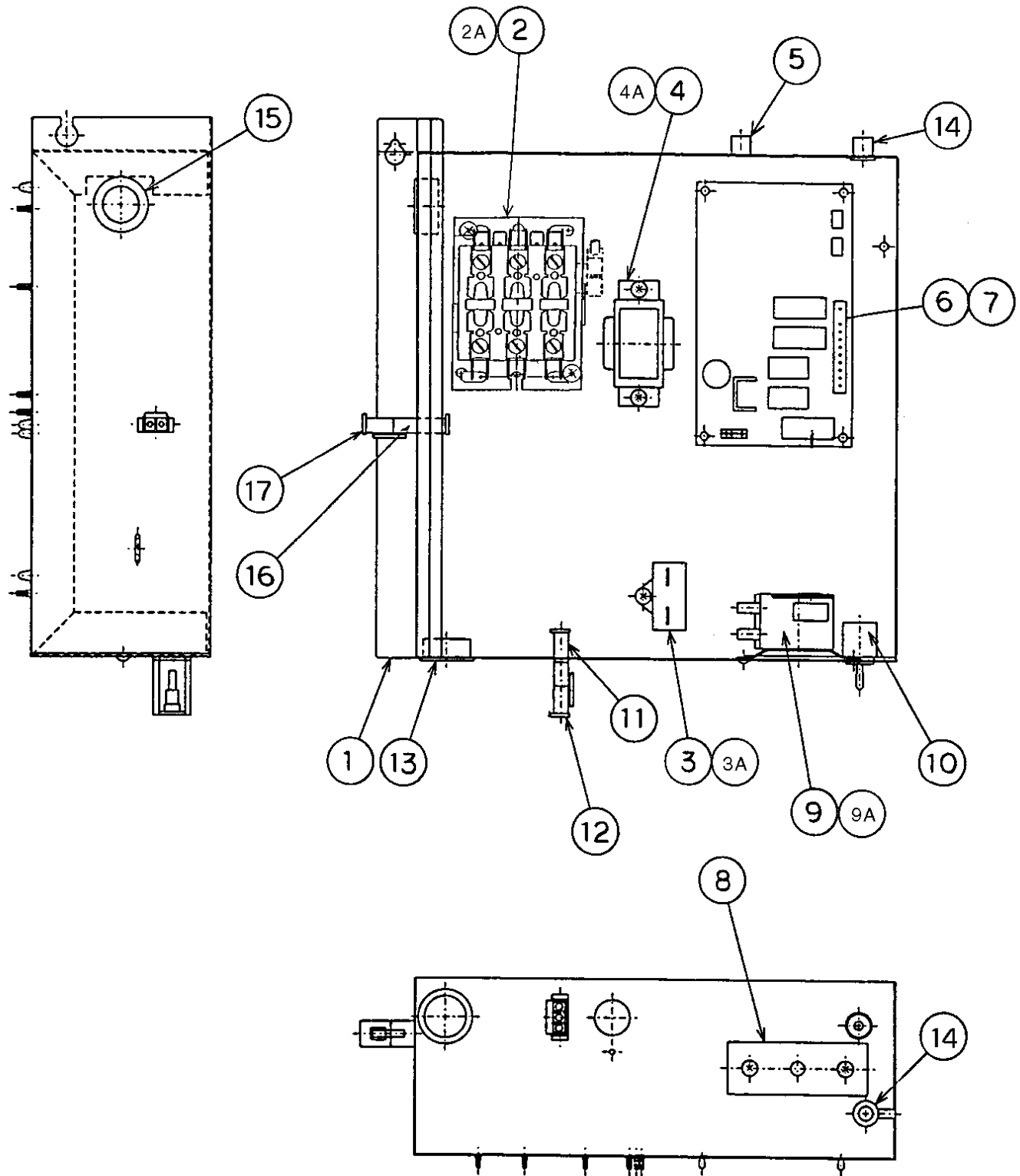
MODEL: KM-2000SWF3, SRF3, SWH3, SRH3 TITLE: C. WATER CIRCUIT											
INDEX NO.	DESCRIPTION	MATERIAL OR MODEL NUMBER	PART NUMBER	REQUIRED NUMBER							
				KM-2000SWF3				KM-2000SWH3			
				KM-2000SRF3				KM-2000SRH3			
H-0	H-1	J-0	L-0	M-1	M-2						
		J-1	M-0		M-3						
		K-0									
24	SPRING	SS	322110-01	1	1	1	1	1	1		
25	VALVE SHEET	EPDM	433705-01	1	1	1	1	1	1		
26	OVERFLOW CAP	PE	325866-01	1	1	1	1	1	1		
27	JOINT - OVERFLOW	ABS	323923-02	1	1	1	1	1	1		
28	BUSHING	-	420470-06	2	2	2	2	2	2		
29	VALVE HOLDER	GS	3A1178-01	1	1	1	1	1	1		
29A	TRUSS HEAD SCREW	4X8	7C31-0408	3	3	3	3	3	3		
30	MICRO SWITCH	V3L-111-08	4A0365-01	1	1	1	1	x1			
		-	4A2546-01					o1	1		
31	TAPPING SCREW	3x14	431415-02	2	2	2	2	2	2		
32	FLOAT SWITCH BRACKET	SS	3A0449-01	1	1	1	1	1	1		
32A	T2 SCREW	4X8, SS	7P32-0408	2	2	2	2	2	2		
33	CONNECTOR - FLOAT SWITCH	EPDM	3A1325-03	1	1	1	1	1	1		
34	FLOAT SWITCH	163795	4A0886-01	1	1	1	1	1	1		
34A	TRUSS HEAD SCREW	4X10, SS	7C32-0410	2	2	2	2	2	2		
35	JOINT HOSE	EPDM	439309-01	1	1	1	1	1	1		
36	CLAMP	NO.4253	427902-05	1	1	1	1	1	1		
37	HANDLE	JH1352	215383-01	1	1	1	1	1	1		
37A	T2 SCREW	4X8	7P31-0408	1	1	1	1	1	1		
38	"O" RING	1AP18	7611-P018	1	1	1	1	1	1		
39	"O" RING	1AG35	7611-G035	1	1	1	1	1	1		
40	DRAIN HOSE	EPDM	325869-01	1	1	1	1	1	1		
41	DRAIN	AC	309246-01	1	1	1	1	1	1		
42	"O" RING	1AP15	7611-P015	1	1	1	1	1	1		
43	BYPASS HOSE	EPDM	439237-02	1	1	1	1	1	1		
44	DISTRIBUTOR (C)	ABS	439238-01	1	1	1	1	1	1		
45	JOINT HOSE	EPDM	439296-01	1	1	1	1	1	1		
46	DISTRIBUTOR (B)	ABS	439239-01	1	1	1	1	1	1		

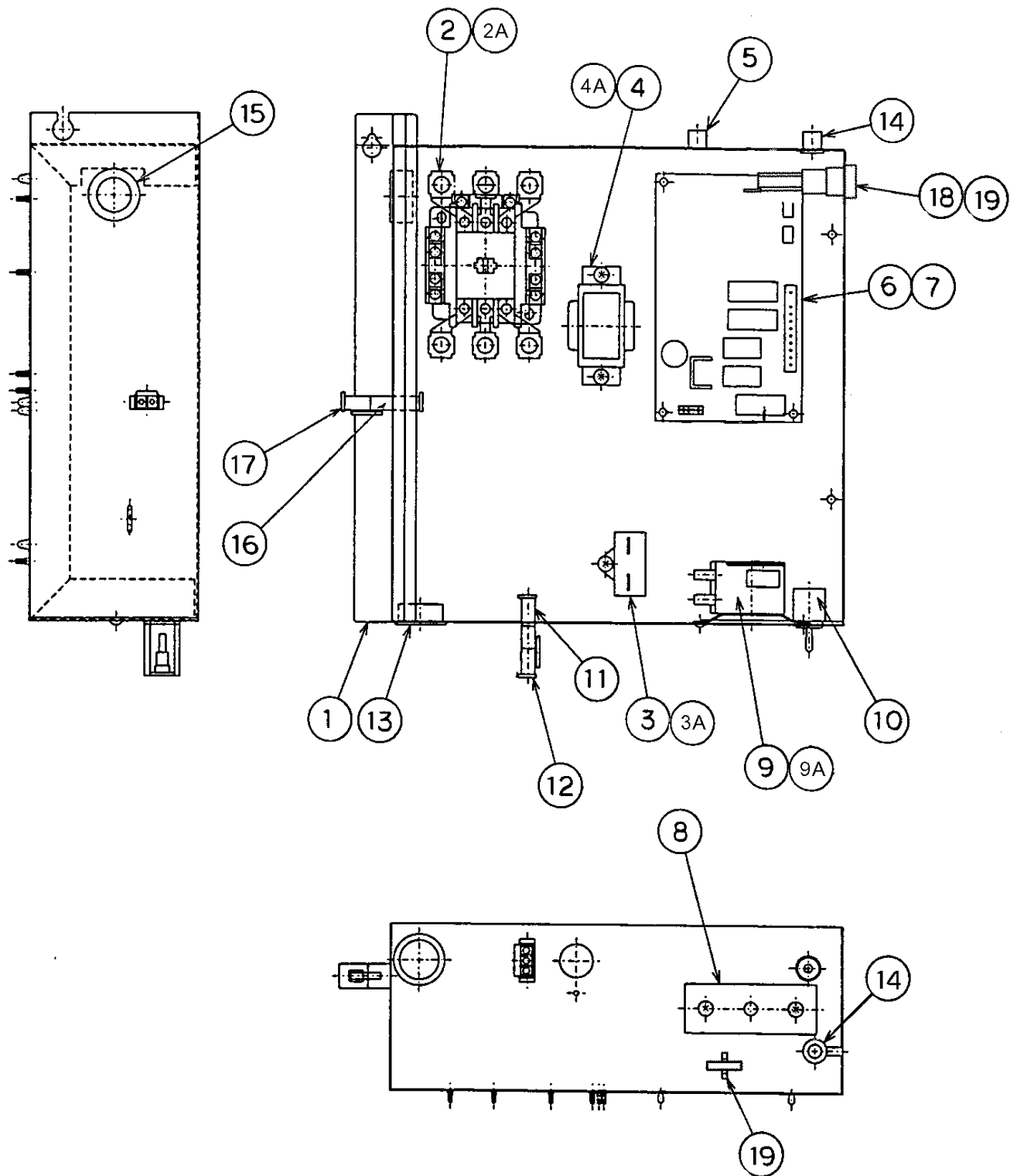
MODEL: KM-2000SWF3, SRF3, SWH3, SRH3 TITLE: C. WATER CIRCUIT													
INDEX NO.	DESCRIPTION	MATERIAL OR MODEL NUMBER	PART NUMBER	REQUIRED NUMBER									
				KM-2000SWF3				KM-2000SWH3					
				KM-2000SRF3				KM-2000SRH3					
H-0	H-1	J-0	L-0	M-1	M-2	J-1	M-0	M-3	K-0				
47	FLANGE	EPDM	439267-02	1	1	1	1	1	1				
48	BALL VALVE	PVC	439293-01	1	1	1	1	1	1				
49	MALE ADAPTOR	ABS	325826-01	2	2	2	2	2	2				
50	"O" RING	1AP20	7611-P020	2	2	2	2	2	2				
51	VINYL HOSE	L=230	7716-2732	1	1	1	1	1	1				
52	VINYL HOSE	L=550	7716-2732	1	1	1	1	1	1				
53	SILICONE HOSE	L=190	773013812	1	1	1	1	1	1				
54	SILICONE HOSE	L=430	773013896	1	1	1	1	1	1				
55	INSULATION HOSE	L=120	7762-3555	1	1	1	1	1	1				
56	INSULATION HOSE	L=130	7762-3555	1	1	1	1	1	1				
57	INSULATION HOSE	L=1200	7762-3555	1	1	1	1	1	1				

HA

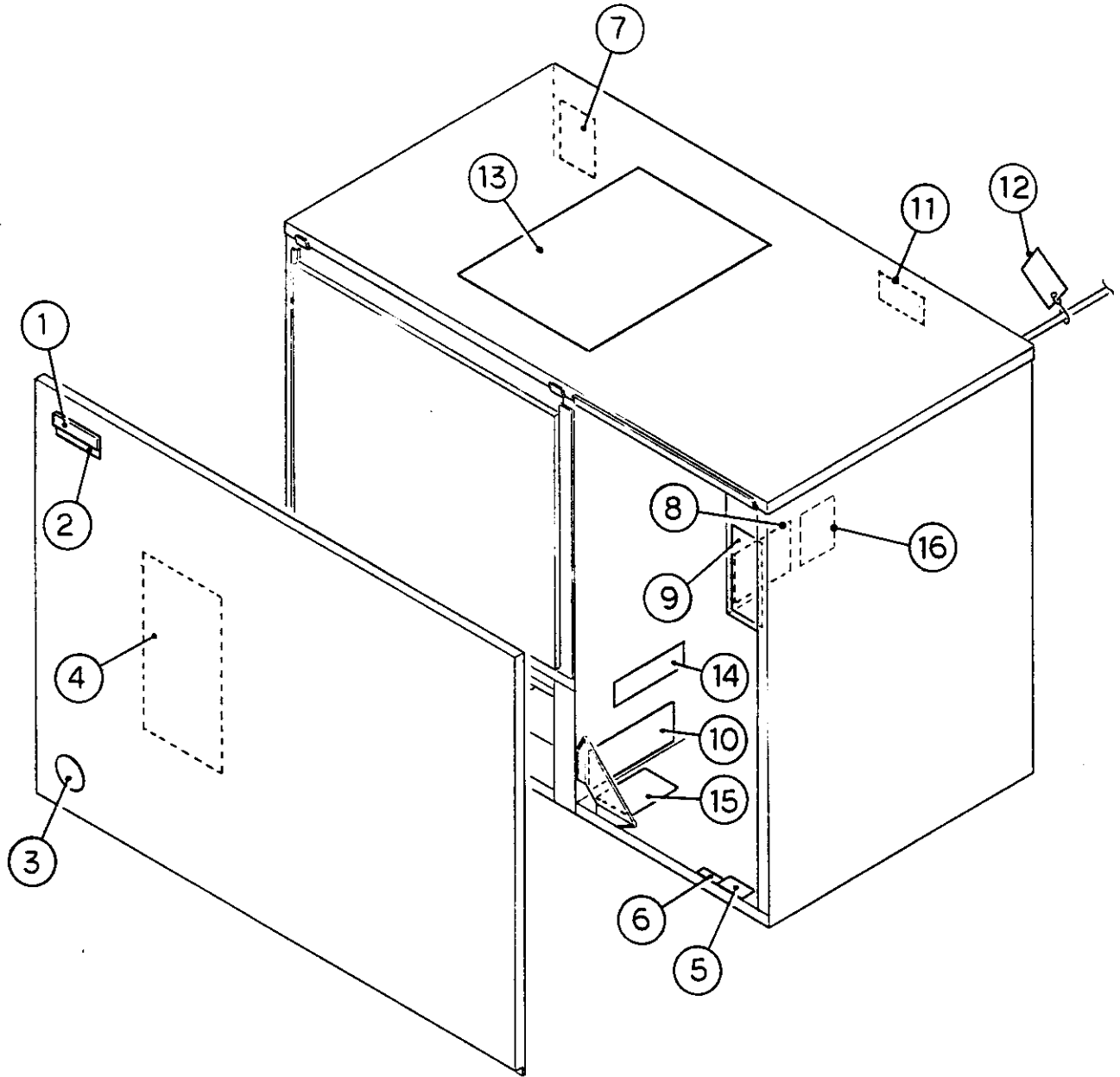
KM-2000SWF3, SRF3, SWH3, SRH3 D. CONTROL BOX ASSEMBLY

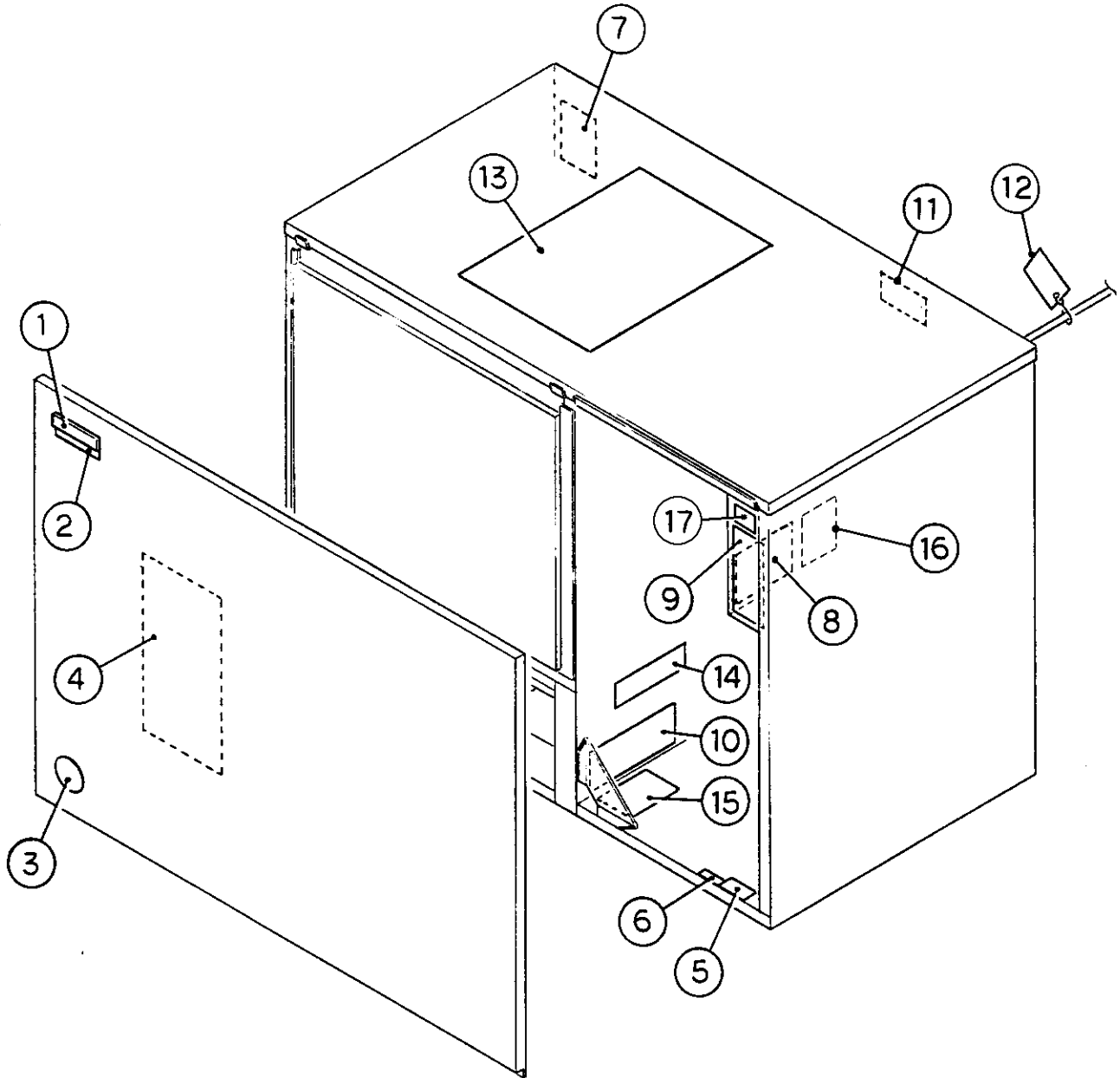
H-0, H-1, J-0, J-1,
K-0, L-0, M-0, M-1



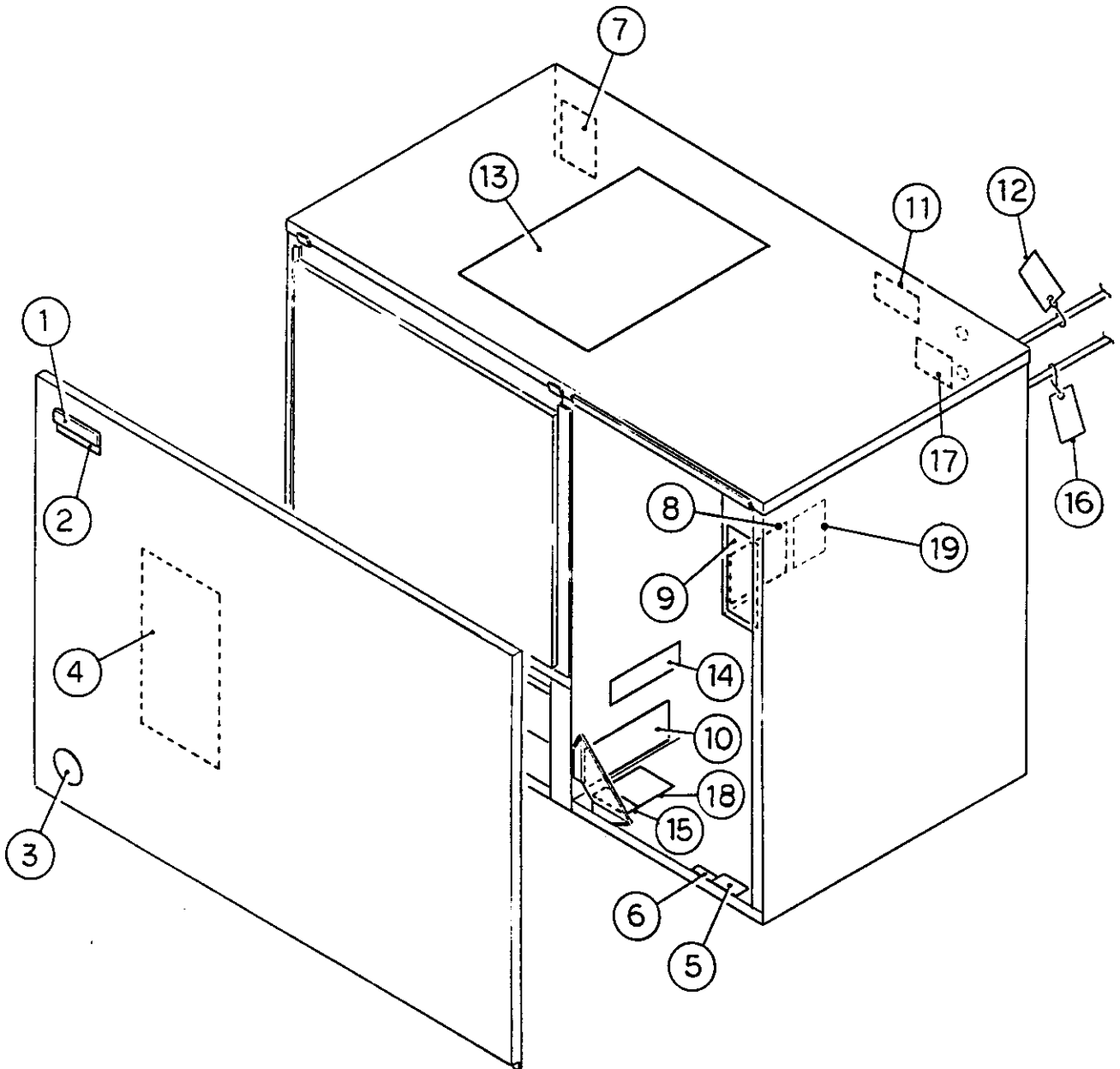


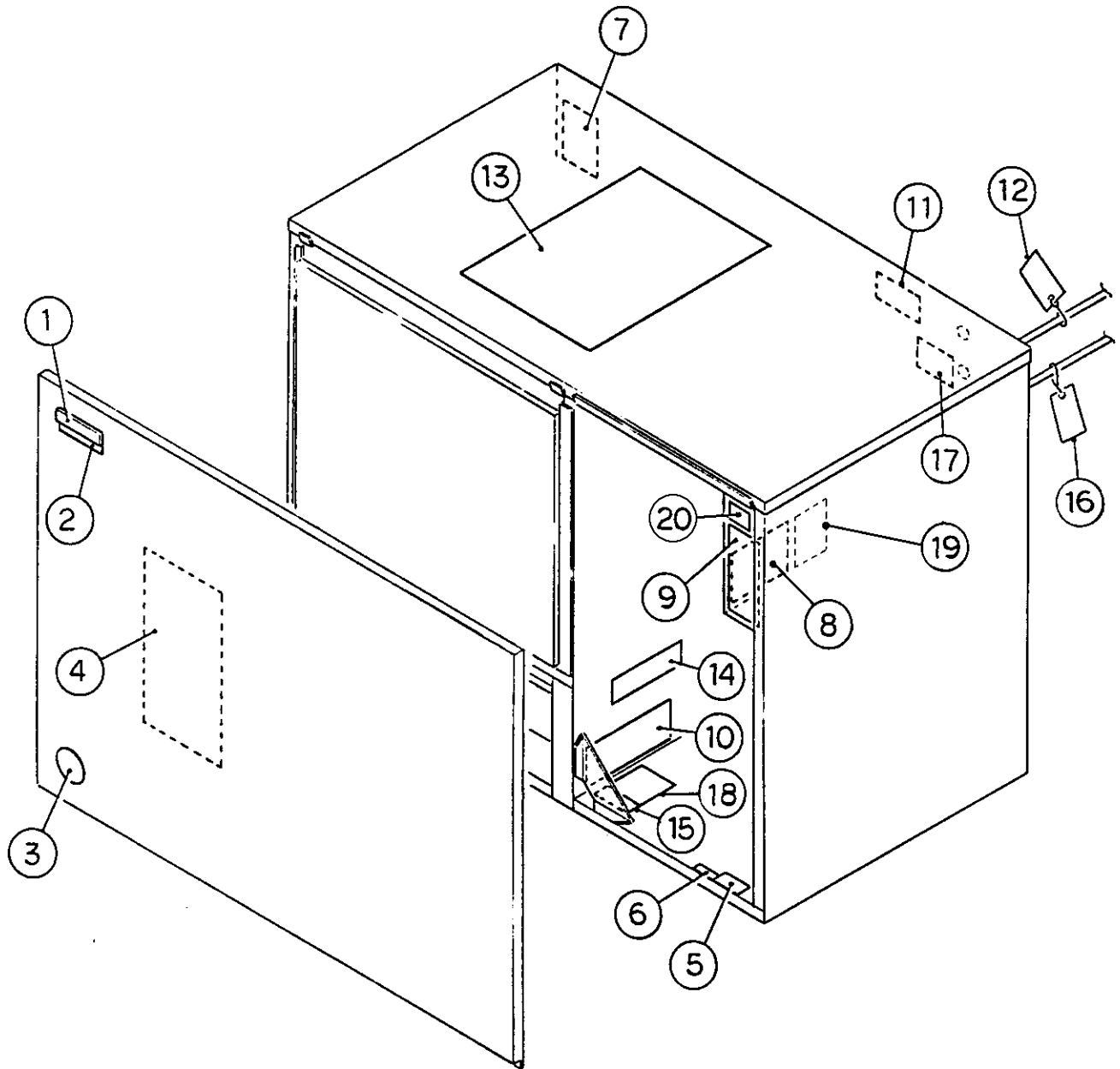
MODEL: KM-2000SWF3, SRF3, SWH3, SRH3 TITLE: D. CONTROL BOX ASSEMBLY											
INDEX NO.	DESCRIPTION	MATERIAL OR MODEL NUMBER	PART NUMBER	REQUIRED NUMBER							
				KM-2000SWF3 KM-2000SRF3				KM-2000SWH3 KM-2000SRH3			
				H-0	H-1	J-0 J-1 K-0	L-0 M-0	M-1	M-2 M-3		
1	CONTROL BOX	GS	2A1082G02	1	1	1	1	1	-		
		GS	2A2524G01						1		
2	MAGNETIC CONTACTOR	A77-309040A-226	4A0794-01	1	1	1	1	1	1		
2A	TRUSS HEAD SCREW	4X12, SS	7C32-0412	2	2	2	2	2	2		
3	CAPACITOR	250V. AC, 10MFD	443192-01	1	1	1	1	1	1		
3A	T2 SCREW	4X10	7P31-0410	2	2	2	2	2	2		
4	TRANSFORMER	26D285H	3A0172-01	1	1	1	1	1	1		
4A	T2 SCREW	4X8	7P31-0408	2	2	2	2	2	2		
5	BUSHING	OCB-875	428394-04	1	1	1	1	1	1		
6	CONTROLLER BOARD	HOSHIZAKI-001A	2A1410-01	1	1	1	1	1	1		
7	BOARD SUPPORT	CBLS37-M	4A0336-03	4	4	4	4	4	4		
8	CONTROL LABEL	PES FILM	4A1758-01	1	1	1	1	1	1		
9	THERMOSTAT	A30-3842-00	4A0824-02	1	1	1	1	1	x1		
		-	4A2879-02						o1		
9A	TRUSS HEAD SCREW	4X6	7C310406	2	2	2	2	2	2		
10	TOGGLE SWITCH	7563K6	443119-01	1	1	1	1	1	1		
11	3P PLUG HOUSING	3191-03P	412832-06	1	1	1	1	1	1		
12	3P RECEPTACLE HOUSING	3191-03PR1	412831-06	1	1	1	1	1	1		
13	BUSHING	SB-1093-15	420470-03	1	1	1	1	1	1		
14	BUSHING	OCB-500	428394-02	2	2	2	2	2	2		
15	BUSHING	SB-1093-13	420470-12	1	1	1	1	1	1		
16	2P PLUG HOUSING	3190-02P (RED)	412832-09	1	1	1	1	1	1		
17	2P RECEPTACLE HOUSING	3191-02PR1 (RED)	412831-09	1	1	1	1	1	1		
18	FUSE HOLDER	HTB-921	4A0892-01							1	
19	FUSE	AGC-10	4A0893-07							2	





MODEL: KM-2000SWF3, SWH3 TITLE: E. LABEL LOCATION											
INDEX NO.	DESCRIPTION	MATERIAL OR MODEL NUMBER	PART NUMBER	REQUIRED NUMBER							
				KM-2000SWF3				KM-2000SWH3			
				H-0	H-1	J-0	L-0	M-1	M-3		
				H-1		K-0	M-0				
J-0											
1	EMBLEM	ABS	4A0560-01	1	1	1	1	1	1		
2	MODEL NUMBER LABEL	PETP FILM	4A1233-06	1	1	1					
		PETP FILM	4A2356-06				1	1	1		
3	LABEL - PENGUIN (R)	PETP FILM	4A0526-01	1	1	1	1	1	1		
4	MAINTENANCE LABEL	PVC FILM	326275-01	1	1	1	1	1	1		
5	CAUTION LABEL (K)	PVC FILM	439150-01	1	1	1	1	1	1		
6	LABEL - R404A	PES FILM	4A0960-01	1	1	1	1	1	1		
7	NAMEPLATE	PES FILM	4A1478-01	1	1	1					
		PES FILM	4A2360-01				1	1	1		
8	WIRING LABEL	PVC FILM	3A0991-01	1	1	1	1	1	-		
		PVC FILM	3A2394-01							1	
9	MANUAL LABEL	PVC FILM	324476-01	1	1	1	1	1	1		
10	MANUAL LABEL - BIN CONTROL	PVC FILM	324477-01	1	1	1	1	1	1		
11	INSTRUCTION LABEL	PVC FILM	444575-01	1	1	1	1	1	1		
12	TAG - WARNING: ELECTRICAL CONNECTION	PAPER	438479-01	1	1	1	1	1	1		
13	INSTRUCTION SHEET	PAPER	2A1123-01	1	1	1					
		PAPER	2A2135-01				1	1	1		
14	OPERATION LABEL - VALVE	PVC FILM	439541-01	1	1	1	1	1	1		
15	RATING LABEL	PES FILM	4A1637-01	1	1	1					
		PES FILM	4A2361-01				1	1	1		
16	LABEL - CONTROL BOARD	PVC FILM	3A1272-01	1	1	1	1	1	1		
17	LABEL - FUSE	-	4A2817-01							1	



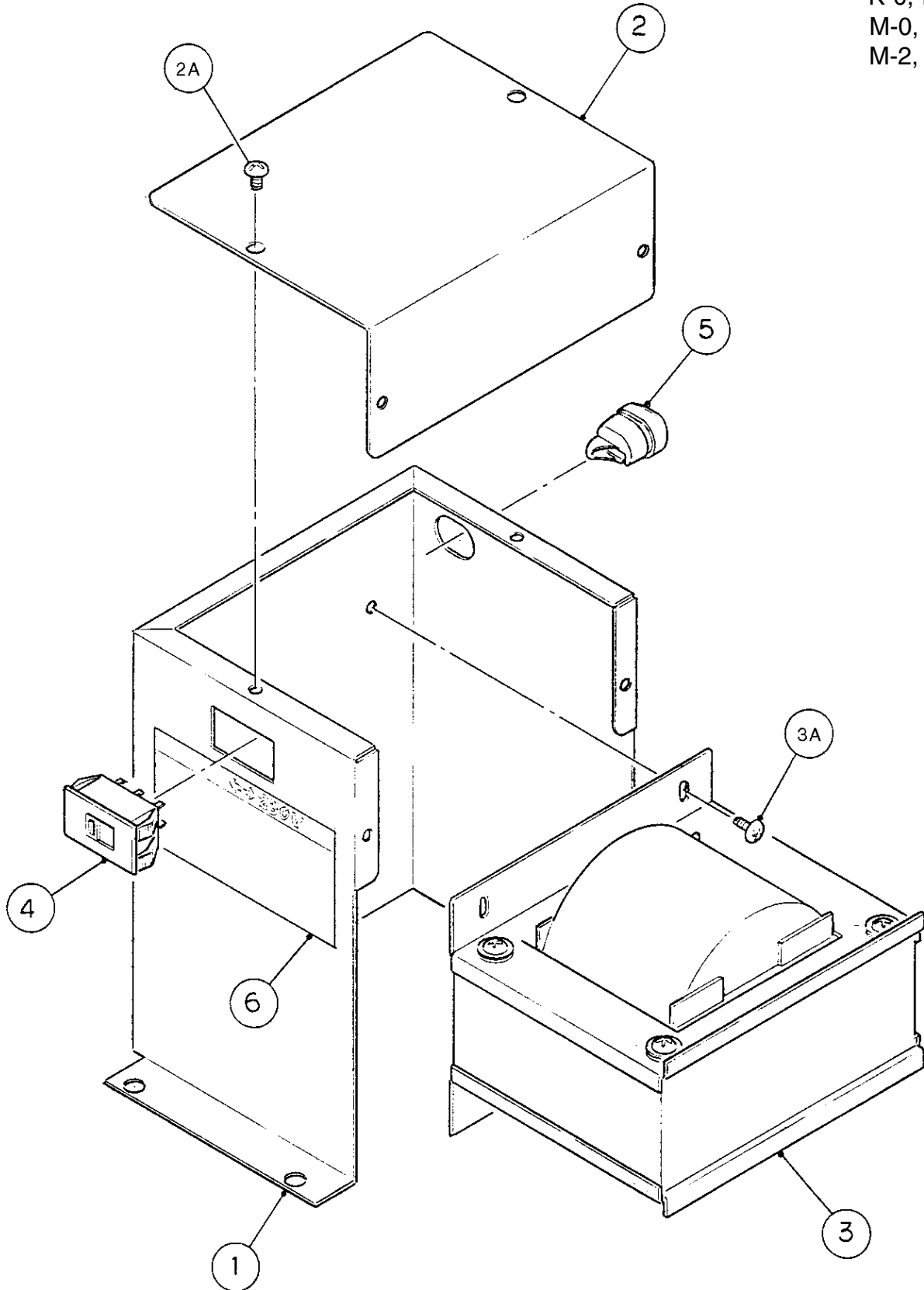


MODEL: KM-2000SRF3, SRH3 TITLE: E. LABEL LOCATION												
INDEX NO.	DESCRIPTION	MATERIAL OR MODEL NUMBER	PART NUMBER	REQUIRED NUMBER								
				KM-2000SRF3			KM-2000SRH3					
				H-0 H-1	J-1	K-0	L-0 M-0	M-1	M-2			
1	EMBLEM	ABS	4A0560-01	1	1	1	1	1	1			
2	MODEL NUMBER LABEL	PETP FILM	4A1233-07	1	1	1						
		PETP FILM	4A2356-07				1	1	1			
3	LABEL - PENGUIN (R)	PETP FILM	4A0526-01	1	1	1	1	1	1			
4	MAINTENANCE LABEL	PVC FILM	326275-01	1	1	1	1	1	1			
5	CAUTION LABEL (K)	PVC FILM	439150-01	1	1	1	1	1	1			
6	LABEL - R404A	PES FILM	440362-01	1	1	1	1	1	1			
7	NAMEPLATE	PES FILM	4A1479-01	1	1	1						
		PES FILM	4A2358-01				1	1	1			
8	WIRING LABEL	PVC FILM	3A0991-01	1	1	1	1	1	-			
		PVC FILM	3A2394-01						1			
9	MANUAL LABEL	PVC FILM	324476-01	1	1	1	1	1	1			
10	MANUAL LABEL - BIN CONTROL	PVC FILM	326255-01	1	1	1						
		PVC FILM	324477-01				1	1	1			
11	INSTRUCTION LABEL	PVC FILM	444575-01	1	1	1	1	1	1			
12	TAG - WARNING: ELECTRICAL CONNECTION	PAPER	438479-01	1	1	1	1	1	1			
13	INSTRUCTION SHEET	PAPER	2A1123-01	1	1	1	1	1	1			
		PAPER	2A2135-01				1	1	1			
14	OPERATION LABEL - VALVE	PVC FILM	439541-01	1	1	1	1	1	1			
15	LABEL - CHARGE	PES FILM	4A1399-04	1	1	1	1	1	1			
16	TAG - FAN MOTOR LEADS	PAPER	4A1494-01	1	1	1	1	1	1			
17	CAUTION - REMOTE LABEL	PVC FILM	4A1491-01	1	1	1	1	1	1			
18	RATING LABEL	PES FILM	4A1636-01	1	1	1						
		PES FILM	4A2359-01				1	1	1			
19	LABEL - CONTROL BOARD	PVC FILM	3A1272-01	1	1	1	1	1	1			
20	LABEL - FUSE	-	4A2817-01						1			

HA

KM-2000SWF3, SRF3, SWH3, SRH3 F. TRANSFORMER BOX ASSEMBLY

H-0, H-1,
J-0, J-1,
K-0, L-0,
M-0, M-1,
M-2, M-3



HA

MODEL: **KM-2000SWF3, SRF3, SWH3, SRH3** TITLE: **F. TRANSFORMER BOX ASSEMBLY**

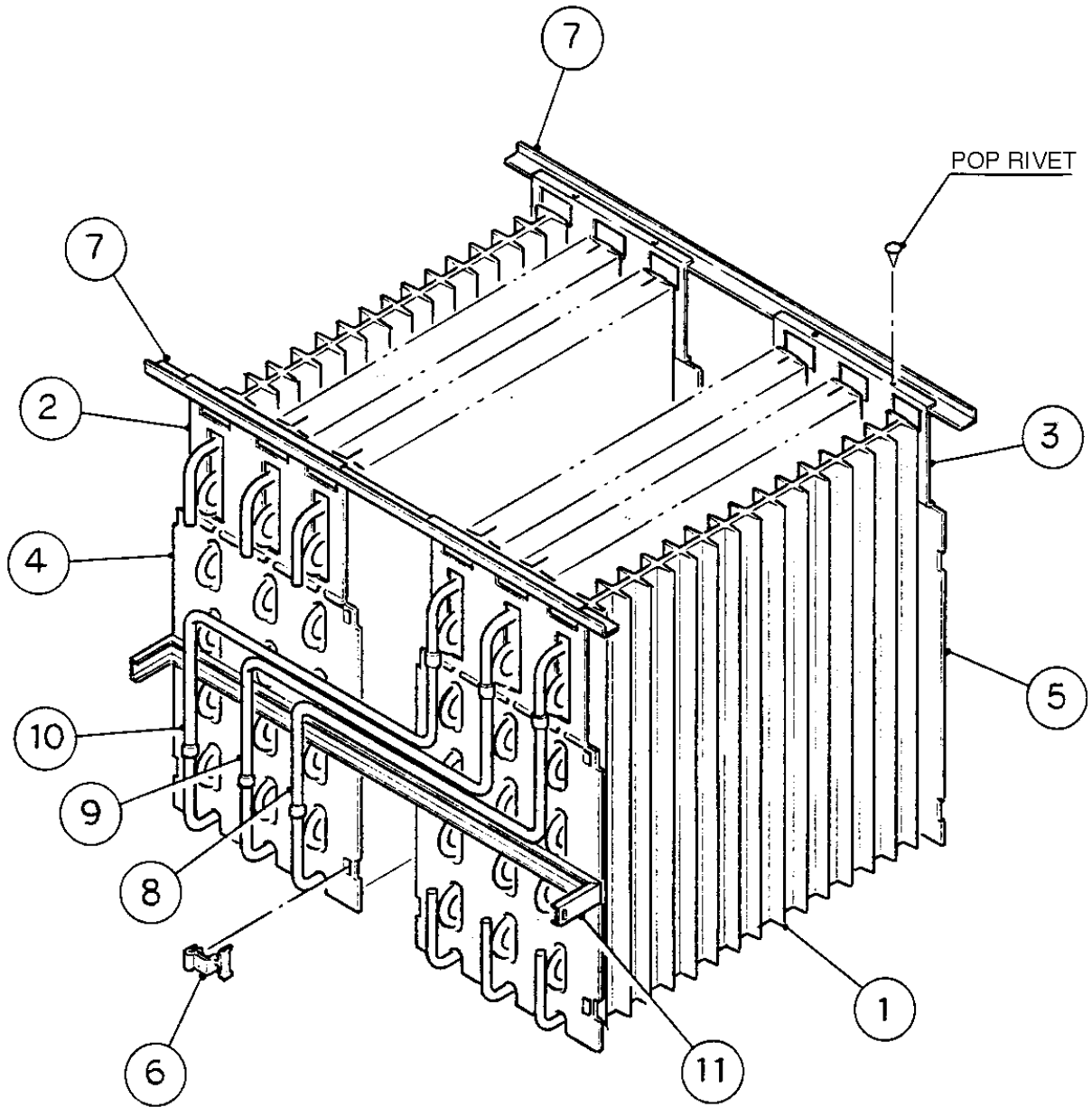
INDEX NO.	DESCRIPTION	MATERIAL OR MODEL NUMBER	PART NUMBER	REQUIRED NUMBER							
				KM-2000SWF3 KM-2000SRF3				KM-2000SWH3 KM-2000SRH3			
				H-0 H-1	J-0 J-1	K-0	L-0	M-0 M-1	M-2 M-3		
1	TRANSFORMER BOX	-	3A1101-01	1	1	1	1	1	1		
2	TRANSFORMER BOX COVER	-	438467-01	1	1	1	1	1	1		
2A	T2 SCREW	4X8	7P31-0408	4	4	4	4	4	4		
3	TRANSFORMER	BE24543001	4A0817-01	1	1	1	1	1	1		
3A	TRUSS HEAD SCREW	4X8	7C31-0408	4	4	4	4	4	4		
4	SLIDE SWITCH	SE1022-SD- PM-F-R-HK-A	4A1477-01	1	1	1	1	1	1		
5	BUSHING	SR-30-1	420472-03	1	1	1	1	1	1		
6	MANUAL LABEL - TAP SWITCH	PVC FILM	439423-01	1	1	1	1	1	1		

HA

KM-2000SWF3, SRF3, SWH3, SRH3

G. EVAPORATOR

H-0, H-1, J-0,
J-1, K-0, L-0,
M-0, M-1, M-2,
M-3



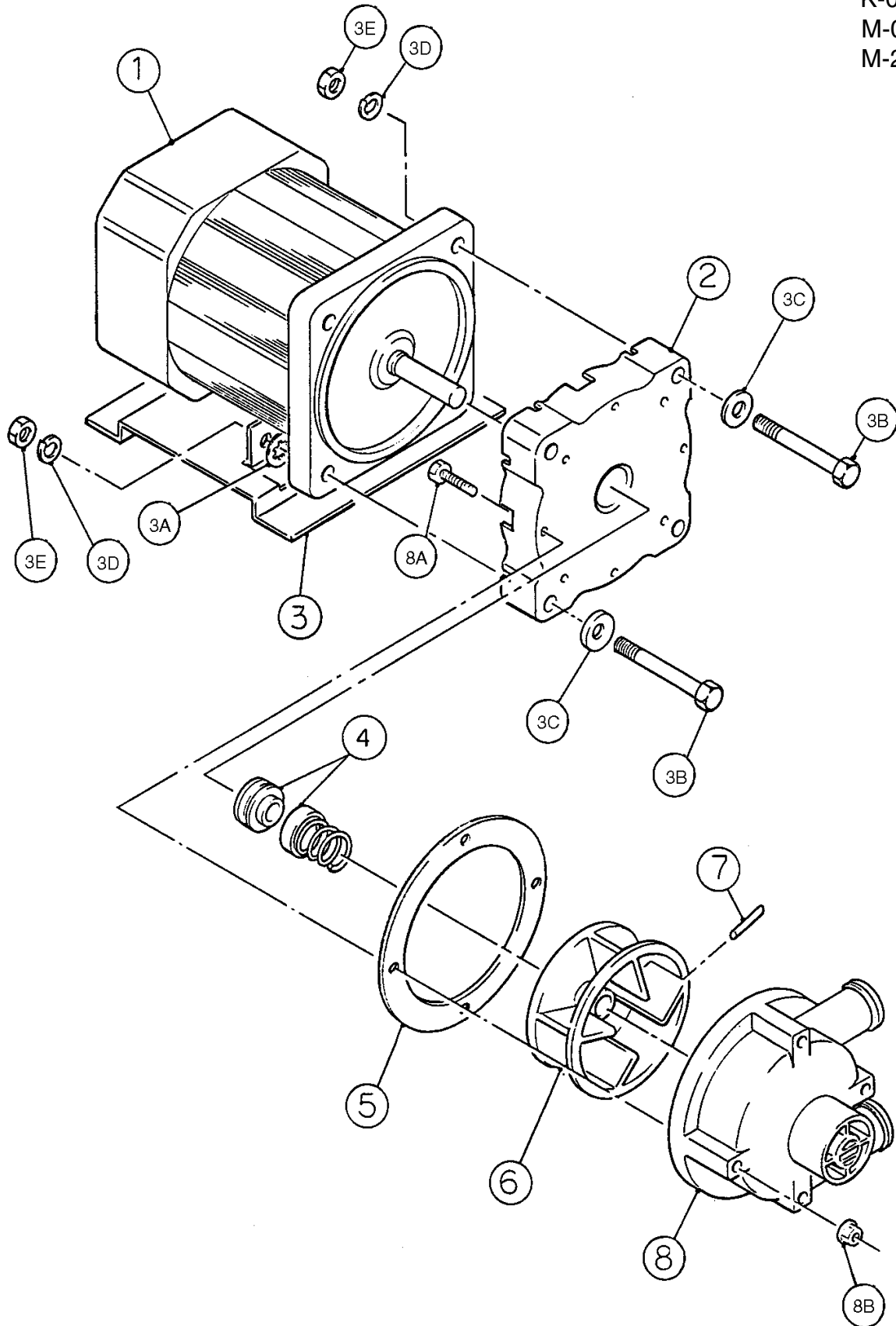
MODEL: KM-2000SWF3, SRF3, SWH3, SRH3 TITLE: G. EVAPORATOR											
INDEX NO.	DESCRIPTION	MATERIAL OR MODEL NUMBER	PART NUMBER	REQUIRED NUMBER							
				KM-2000SWF3				KM-2000SWH3			
				H-0	J-0	K-0	L-0	M-0	M-2		
				H-1	J-1			M-1	M-3		
1	EVAPORATOR	(S-0641)	103317G02	6	6	6	6	6	6		
2	EVAP. BRACKET (A)	SS	323690-01	2	2	2	2	2	2		
3	EVAP. BRACKET (B)	SS	323691-01	2	2	2	2	2	2		
4	END PLATE (A)	ABS	325859-01	2	2	2	2	2	2		
5	END PLATE (B)	ABS	325860-01	2	2	2	2	2	2		
6	HOOK	PP	324152-01	8	8	8	8	8	8		
7	EVAP. BRACKET	GS	436582-01	2	2	2	2	2	2		
8	COPPER TUBE (A) - EVAP	COPPER	439082-01	1	1	1	1	1	1		
9	COPPER TUBE (B) - EVAP	COPPER	439082-02	1	1	1	1	1	1		
10	COPPER TUBE (C) - EVAP	COPPER	439082-03	1	1	1	1	1	1		
11	EVAP. BRACKET (C)	SS	325868-01	1	1	1	1	1	1		

HA

KM-2000SWF3, SRF3, SWH3, SRH3

H. PUMP MOTOR ASSEMBLY

H-0, H-1,
J-0, J-1,
K-0, L-0,
M-0, M-1,
M-2, M-3



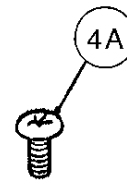
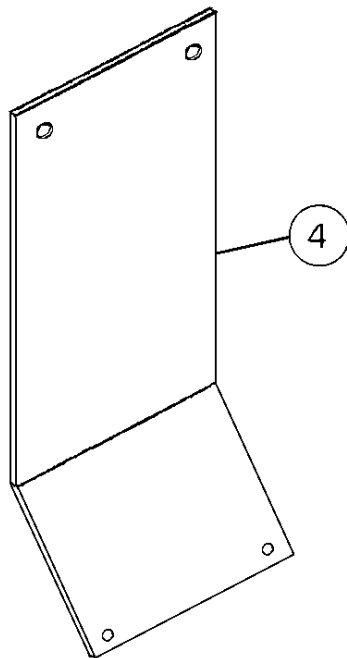
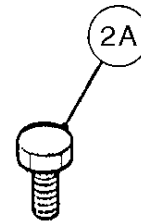
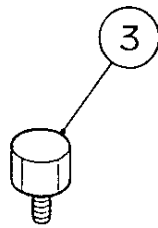
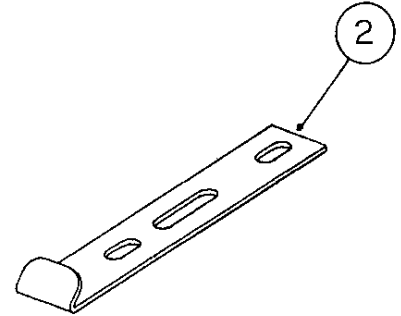
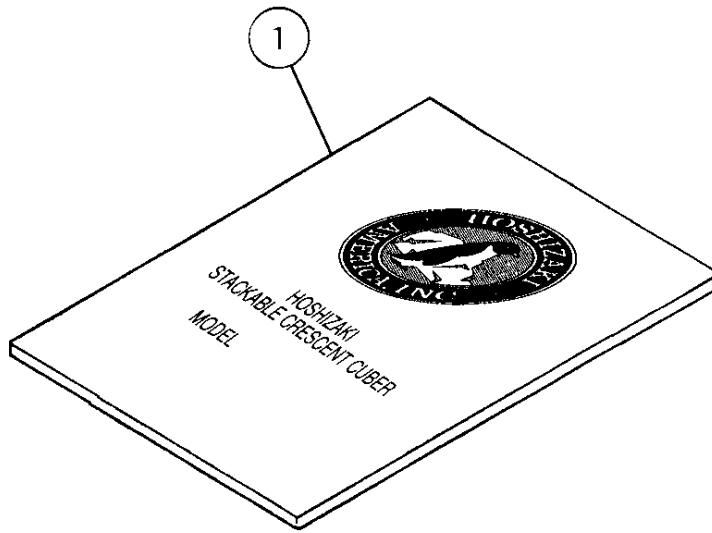
MODEL: KM-2000SWF3, SRF3, SWH3, SRH3 TITLE: H. PUMP MOTOR ASSEMBLY											
INDEX NO.	DESCRIPTION	MATERIAL OR MODEL NUMBER	PART NUMBER	REQUIRED NUMBER							
				KM-2000SWF3				KM-2000SWH3			
				KM-2000SRF3				KM-2000SRH3			
				H-0	J-0	K-0	L-0	M-1	M-2		
H-1	J-1		M-0		M-3						
1	PUMP MOTOR	M91A60SP201	2U0106-01	1	1	1	1	1	1		
2	PUMP FLANGE	PC	215662-01	1	1	1	1	1	1		
3	PUMP MOTOR BRACKET	SS	323904-01	1	1	1	1	1	1		
3A	TOOTH WASHER	6, SS	7R22-0600	2	2	2	2	2	2		
3B	HEXAGON BOLT	6X40, SS	7B02-0640	4	4	4	4	4	4		
3C	FLAT WASHER	6, SS	7W22-0600	4	4	4	4	4	4		
3D	SPLIT LOCK WASHER	6, SS	7L22-0600	4	4	4	4	4	4		
3E	NUT	6, SS	7N12-0600	4	4	4	4	4	4		
4	MECHANICAL SEAL	H5-PN, 8MM	428545-01	1	1	1	1	1	1		
5	PACKING	EPDM	428547-01	1	1	1	1	1	1		
6	IMPELLER	ABS	436584-01	1	1	1	1	1	1		
7	PIN	SS	414102-01	1	1	1	1	1	1		
8	PUMP HOUSING	ABS	213687-01	1	1	1	1	1	1		
8A	HEXAGON BOLT	4X55, SS	7B02-0455	4	4	4	4	4	4		
8B	FLANGE NUT	4, SS	7J02-0400	4	4	4	4	4	4		

HA

KM-2000SWF3, SRF3, SWH3, SRH3

J. ACCESSORIES

H-0, H-1, J-0,
J-1, K-0, L-0,
M-0, M-1, M-2
M-3



MODEL: KM-2000SWF3, SRF3, SWH3, SRH3 TITLE: J. ACCESSORIES													
INDEX NO.	DESCRIPTION	MATERIAL OR MODEL NUMBER	PART NUMBER	REQUIRED NUMBER									
				KM-2000SWF3			KM-2000SWH3			KM-2000SRF3			
				H-0	J-0	K-0	L-0	M-1	M-2				
	H-1	J-1		M-0		M-3							
1	INSTRUCTION MANUAL	PAPER	91A1EA10A	1	1	1							
		PAPER	91A1ED10A				1	1	1				
2	UNIVERSAL BRACE	GS	4A0363-01	2	2	2	2	2	2				
2A	HEX HEAD BOLT	5X12, SS	7B02-0512	4	4	4	4	4	4				
3	THUMBSCREW	ABS, SS	415949G01	1	1	1	1	1	1				
4	THERMOSTAT EXTENSION BRACKET	SS	3A0408-01	1	1	1	1	1	1				
4A	TRUSS HEAD SCREW	4X10, SS	7C32-0410	2	2	2	2	2	2				