



Reliability is a
beautiful thing™

HOSHIZAKI®

MODULAR CRESCENT CUBER

MODELS

KMD-700MAH
KMD-700MWH
KMD-700MRH
KMD-900MAH
KMD-900MWH
KMD-900MRH

SERVICE MANUAL



ITEM #: 73107
ISSUED: June 2, 2003
REVISED: July 28, 2006

IMPORTANT

Only qualified service technicians should attempt to service or maintain this icemaker. No service or maintenance should be undertaken until the technician has thoroughly read this Service Manual.

HOSHIZAKI provides this manual primarily to assist qualified service technicians in the service and maintenance of the icemaker.

Should the reader have any questions or concerns which have not been satisfactorily addressed, please call or write to the HOSHIZAKI Technical Support Department for assistance.

HOSHIZAKI AMERICA, INC.
618 Highway 74 South
Peachtree City, GA 30269

Attn: HOSHIZAKI Technical Support Department

Phone: 1-800-233-1940 Technical Service
(770) 487-2331
Fax: (770) 487-3360

Web Site: www.hoshizakiamerica.com

NOTE: To expedite assistance, all correspondence/communication **MUST** include the following information:

- Model Number
- Serial Number
- Complete and detailed explanation of the problem

Please review this manual. It should be read carefully before the icemaker is serviced or maintenance operations are performed. Only qualified service technicians should service and maintain the icemaker. This manual should be made available to the technician prior to service or maintenance.

CONTENTS

| | |
|---|----|
| I. Specifications | 5 |
| 1. KMD-700MAH | 5 |
| 2. KMD-700MWH | 6 |
| 3. KMD-700MRH | 7 |
| 4. KMD-900MAH | 8 |
| 5. KMD-900MWH | 9 |
| 6. KMD-900MRH | 10 |
| 7. Condensing Unit..... | 11 |
| URC-12F | 11 |
| II. General Information | 13 |
| 1. Construction | 13 |
| [a] KMD-700MAH | 13 |
| [b] KMD-700MWH | 14 |
| [c] KMD-700MRH | 15 |
| [d] KMD-900MAH | 16 |
| [e] KMD-900MWH | 17 |
| [f] KMD-900MRH | 18 |
| 2. Controller Board | 19 |
| [a] Solid-State Control | 19 |
| [b] Controller Board | 19 |
| [c] Sequence | 23 |
| [d] Controls and Adjustments | 26 |
| [e] Checking the Controller Board | 30 |
| 3. Mechanical Bin Control | 31 |
| [a] Proximity Switch | 31 |
| [b] Explanation of Operation | 31 |
| [c] Troubleshooting | 32 |
| III. Technical Information | 33 |
| 1. Water Circuit and Refrigerant Circuit..... | 33 |
| [a] KMD-700MAH and KMD-900MAH | 33 |
| [b] KMD-700MWH and KMD-900MWH | 34 |
| [c] KMD-700MRH and KMD-900MRH | 35 |
| 2. Wiring Diagrams | 36 |
| [a1] KMD-700MAH and KMD-700MWH (auxiliary code R-0 and earlier) | 36 |
| [a2] KMD-700MAH and KMD-700MWH (auxiliary code R-1 and later) | 37 |
| [b1] KMD-700MRH (auxiliary code R-0 and earlier) | 38 |
| [b2] KMD-700MRH (auxiliary code R-1 and later) | 39 |
| [c1] KMD-900MAH and KMD-900MWH (auxiliary code R-0 and earlier) | 40 |
| [c2] KMD-900MAH and KMD-900MWH (auxiliary code R-1 and later) | 41 |
| [d1] KMD-900MRH (auxiliary code R-0 and earlier) | 42 |
| [d2] KMD-900MRH (auxiliary code R-1 and later) | 43 |

| | |
|--|----|
| 3. Timing Chart | 44 |
| 4. Performance Data | 46 |
| [a] KMD-700MAH | 46 |
| [b] KMD-700MWH | 47 |
| [c] KMD-700MRH | 48 |
| [d] KMD-900MAH | 49 |
| [e] KMD-900MWH | 50 |
| [f] KMD-900MRH | 51 |
| IV. Service Diagnosis | 52 |
| 1. No Ice Production | 52 |
| 2. Evaporator is Frozen Up | 55 |
| 3. Low Ice Production | 56 |
| 4. Abnormal Ice | 56 |
| 5. Other | 56 |
| V. Removal and Replacement of Components | 57 |
| 1. Service for Refrigerant Lines | 57 |
| [a] Refrigerant Recovery | 57 |
| [b] Evacuation and Recharge [R-404A] | 57 |
| 2. Brazing | 58 |
| 3. Removal and Replacement of Compressor | 59 |
| 4. Removal and Replacement of Drier | 61 |
| 5. Removal and Replacement of Expansion Valve | 61 |
| 6. Removal and Replacement of Hot Gas Valve and Line Valve | 62 |
| 7. Removal and Replacement of Evaporator | 64 |
| 8. Removal and Replacement of Water Regulating Valve (Water-Cooled Model Only) .. | 65 |
| 9. Adjustment of Water Regulating Valve (Water-Cooled Model Only) | 66 |
| 10. Removal and Replacement of Condensing Pressure Regulator (C.P.R.) (Remote Air-Cooled Model Only) | 67 |
| 11. Removal and Replacement of Thermistor | 68 |
| 12. Removal and Replacement of Fan Motor | 69 |
| 13. Removal and Replacement of Water Valve | 70 |
| 14. Removal and Replacement of Pump Motor | 70 |
| 15. Removal and Replacement of Spray Tubes | 71 |
| 16. Removal and Replacement of Bin Control | 72 |
| VI. Cleaning and Maintenance Instructions | 73 |
| 1. Preparing the Icemaker for Long Storage | 73 |
| 2. Cleaning Instructions | 76 |
| [a] Cleaning Procedure | 76 |
| [b] Sanitizing Procedure - Following Cleaning Procedure | 79 |
| 3. Maintenance | 80 |

I. Specifications

1. KMD-700MAH

| | | | | |
|---|--|------------------|------------|-----------|
| AC SUPPLY VOLTAGE | 208-230/60/1 (3 wire with neutral for 115V) | | | |
| AMPERAGE | 13.5 A (5 Min. Freeze AT 104°F / WT 80°F) | | | |
| MINIMUM CIRCUIT AMPACITY | 14.3 A | | | |
| MAXIMUM FUSE SIZE | 20 A | | | |
| APPROXIMATE ICE PRODUCTION PER 24 HR. lbs./day (kg/day) Reference without *marks | Ambient Temp.(°F) | WATER TEMP. (°F) | | |
| | | 50 | 70 | 90 |
| | 70 | *696 (316) | 650 (295) | 593 (269) |
| | 80 | 661 (300) | 589 (267) | 536 (243) |
| | 90 | 650 (295) | *539 (244) | 483 (219) |
| | 100 | 641 (291) | 526 (239) | 432 (196) |
| SHAPE OF ICE | Crescent Cube | | | |
| ICE PRODUCTION PER CYCLE | 9.6 lbs. (4.4 kg) 624 pcs. | | | |
| APPROXIMATE STORAGE CAPACITY | N/A | | | |
| ELECTRIC & WATER CONSUMPTION | 90/70°F | 70/50°F | | |
| ELECTRIC W (kWH/100 lbs.) | 1590(7.1) | 1540(5.3) | | |
| WATER gal./24HR (gal./100 lbs.) | 202(37.5) | 406(58.4) | | |
| EXTERIOR DIMENSIONS (WxDxH) | 30" x 24.6" x 28" (762 x 625 x 713 mm) | | | |
| EXTERIOR FINISH | Stainless Steel, Galvanized Steel (Rear) | | | |
| WEIGHT | Net 217 lbs. (98 kg), Shipping 249 lbs. (113 kg) | | | |
| CONNECTIONS - ELECTRIC | Permanent - Connection | | | |
| - WATER SUPPLY | Inlet | 1/2" FPT | | |
| - DRAIN | Outlet | 3/4" FPT | | |
| | | 5/8" OD Tube | | |
| CUBE CONTROL SYSTEM | Float Switch | | | |
| HARVESTING CONTROL SYSTEM | Hot Gas and Water, Thermistor and Timer | | | |
| ICE MAKING WATER CONTROL | Timer Controlled. Overflow Pipe | | | |
| COOLING WATER CONTROL | N/A | | | |
| BIN CONTROL SYSTEM | Mechanical Level Switch and Timer | | | |
| COMPRESSOR | Hermetic, Model CS10K6E-PFV-237 | | | |
| CONDENSER | Air-Cooled, Fin and Tube Type | | | |
| EVAPORATOR | Vertical type, Stainless Steel and Copper | | | |
| REFRIGERANT CONTROL | Thermostatic Expansion Valve | | | |
| REFRIGERANT CHARGE | R-404A, 2 lb. 8.6 oz. (1150g) | | | |
| DESIGN PRESSURE | High 467PSIG, Low 230PSIG | | | |
| P.C. BOARD CIRCUIT PROTECTION | High Voltage Cut-out (Internal) | | | |
| COMPRESSOR PROTECTION | Auto-reset Overload Protector (Internal) | | | |
| REFRIGERANT CIRCUIT PROTECTION | Auto-reset High Pressure Control Switch | | | |
| LOW WATER PROTECTION | Float Switch | | | |
| ACCESSORIES -SUPPLIED | N/A | | | |
| -REQUIRED | Ice Dispenser or Ice Storage Bin | | | |
| OPERATING CONDITIONS | VOLTAGE RANGE | 187 - 253 V | | |
| | AMBIENT TEMP. | 45 -100° F | | |
| | WATER SUPPLY TEMP. | 45 - 90° F | | |
| | WATER SUPPLY PRESSURE | 20 - 145 PSIG | | |

We reserve the right to make changes in specifications and design without prior notice.

2. KMD-700MWH

| | | | | |
|---|--|------------------|---------------------------|-----------|
| AC SUPPLY VOLTAGE | 208-230/60/1 (3 wire with neutral for 115V) | | | |
| AMPERAGE | 12 A (5 Min. Freeze AT 104°F / WT 80°F) | | | |
| MINIMUM CIRCUIT AMPACITY | 12.9 | | | |
| MAXIMUM FUSE SIZE | 20 A | | | |
| APPROXIMATE ICE PRODUCTION PER 24 HR. lbs./day (kg/day) Reference without *marks | Ambient Temp.(°F) | WATER TEMP. (°F) | | |
| | | 50 | 70 | 90 |
| | 70 | *701 (318) | 675 (306) | 634 (288) |
| | 80 | 681 (309) | 640 (290) | 597 (271) |
| | 90 | 675 (306) | *611 (277) | 569 (258) |
| | 100 | 665 (302) | 601 (273) | 530 (240) |
| SHAPE OF ICE | Crescent Cube | | | |
| ICE PRODUCTION PER CYCLE | 9.6 lbs. (4.4 kg) 624 pcs. | | | |
| APPROXIMATE STORAGE CAPACITY | N/A | | | |
| ELECTRIC & WATER CONSUMPTION | 90/70°F | 70/50°F | | |
| ELECTRIC W (kWH/100 lbs.) | 1520(6.0) | 1500(5.1) | | |
| WATER gal./24HR (gal./100 lbs.) | 203(33.3) | 272(38.9) | | |
| WATER COOLED CONDENSER gal./24HR (gal./100 lbs.) | 607(99) | 403(58) | | |
| EXTERIOR DIMENSIONS (WxDxH) | 30" x 24.6" x 28" (762 x 625 x 713 mm) | | | |
| EXTERIOR FINISH | Stainless Steel, Galvanized Steel (Rear) | | | |
| WEIGHT | Net 217 lbs. (98 kg), Shipping 249 lbs. (113 kg) | | | |
| CONNECTIONS - ELECTRIC | Permanent - Connection | | | |
| - WATER SUPPLY | Inlet | 1/2" FPT | Condenser Inlet 1/2" FPT | |
| - DRAIN | Outlet | 3/4" FPT | Condenser Outlet 3/8" FPT | |
| | | 5/8" OD Tube | | |
| CUBE CONTROL SYSTEM | Float Switch | | | |
| HARVESTING CONTROL SYSTEM | Hot Gas and Water, Thermistor and Timer | | | |
| ICE MAKING WATER CONTROL | Timer Controlled. Overflow Pipe | | | |
| COOLING WATER CONTROL | Pressure Regulator | | | |
| BIN CONTROL SYSTEM | Mechanical Level Switch and Timer | | | |
| COMPRESSOR | Hermetic, Model CS10K6E-PFV-237 | | | |
| CONDENSER | Water-cooled, Tube in Tube Type | | | |
| EVAPORATOR | Vertical type, Stainless Steel and Copper | | | |
| REFRIGERANT CONTROL | Thermostatic Expansion Valve | | | |
| REFRIGERANT CHARGE | R-404A, 1 lb. 10 Oz. (730g) | | | |
| DESIGN PRESSURE | High 427PSIG, Low 230PSIG | | | |
| P.C. BOARD CIRCUIT PROTECTION | High Voltage Cut-out (Internal) | | | |
| COMPRESSOR PROTECTION | Auto-reset Overload Protector (Internal) | | | |
| REFRIGERANT CIRCUIT PROTECTION | Auto-reset High Pressure Control Switch | | | |
| LOW WATER PROTECTION | Float Switch | | | |
| ACCESSORIES -SUPPLIED | N/A | | | |
| -REQUIRED | Ice Dispenser or Ice Storage Bin | | | |
| OPERATING CONDITIONS | VOLTAGE RANGE | 187 - 253 V | | |
| | AMBIENT TEMP. | 45 -100° F | | |
| | WATER SUPPLY TEMP. | 45 - 90° F | | |
| | WATER SUPPLY PRESSURE | 20 - 145 PSIG | | |

We reserve the right to make changes in specifications and design without prior notice.

3. KMD-700MRH

| | | | | |
|---|--|------------------|------------|-----------|
| AC SUPPLY VOLTAGE | 208-230/60/1 (3 wire with neutral for 115V) | | | |
| AMPERAGE | 13 A (5 Min. Freeze AT 104°F / WT 80°F) | | | |
| MINIMUM CIRCUIT AMPACITY | 13.15 A | | | |
| MAXIMUM FUSE SIZE | 20 A | | | |
| APPROXIMATE ICE PRODUCTION PER 24 HR. lbs./day (kg/day) Reference without *marks | Ambient Temp.(°F) | WATER TEMP. (°F) | | |
| | | 50 | 70 | 90 |
| | 70 | *730 (331) | 715 (324) | 655 (297) |
| | 80 | 719 (326) | 696 (316) | 614 (278) |
| | 90 | 715 (324) | *679 (308) | 605 (275) |
| | 100 | 690 (313) | 662 (300) | 538 (244) |
| SHAPE OF ICE | Crescent Cube | | | |
| ICE PRODUCTION PER CYCLE | 9.6 lbs. (4.4 kg) 624 pcs. | | | |
| APPROXIMATE STORAGE CAPACITY | N/A | | | |
| ELECTRIC & WATER CONSUMPTION | 90/70°F | 70/50°F | | |
| ELECTRIC W (kWH/100 lbs.) | 1790(6.3) | 1750(5.7) | | |
| WATER gal./24HR (gal./100 lbs.) | 218(32.1) | 385(52.7) | | |
| EXTERIOR DIMENSIONS (WxDxH) | 30" x 24.6" x 28" (762 x 625 x 713 mm) | | | |
| EXTERIOR FINISH | Stainless Steel, Galvanized Steel (Rear) | | | |
| WEIGHT | Net 203 lbs. (92 kg), Shipping 235 lbs. (107 kg) | | | |
| CONNECTIONS - ELECTRIC | Permanent - Connection | | | |
| - WATER SUPPLY | Inlet | 1/2" FPT | | |
| - DRAIN | Outlet | 3/4" FPT | | |
| | | 5/8" OD Tube | | |
| CUBE CONTROL SYSTEM | Float Switch | | | |
| HARVESTING CONTROL SYSTEM | Hot Gas and Water, Thermistor and Timer | | | |
| ICE MAKING WATER CONTROL | Timer Controlled. Overflow Pipe | | | |
| COOLING WATER CONTROL | N/A | | | |
| BIN CONTROL SYSTEM | Mechanical Level Switch and Timer | | | |
| COMPRESSOR | Hermetic, Model CS10K6E-PFV-279 | | | |
| CONDENSER | Air-Cooled Remote, Condenser Unit URC-12 F | | | |
| EVAPORATOR | Vertical type, Stainless Steel and Copper | | | |
| REFRIGERANT CONTROL | Thermostatic Expansion Valve | | | |
| | Condensing Pressure Regulator on URC-12F | | | |
| REFRIGERANT CHARGE | R-404A, 10 lb. 0.5 oz. (4550g) | | | |
| | (Icemaker 5 lbs. 9.9 oz. Cond. Unit 4 lb. 6.5 oz.) | | | |
| DESIGN PRESSURE | High 467PSIG, Low 230PSIG | | | |
| P.C. BOARD CIRCUIT PROTECTION | High Voltage Cut-out (Internal) | | | |
| COMPRESSOR PROTECTION | Auto-reset Overload Protector (Internal) | | | |
| REFRIGERANT CIRCUIT PROTECTION | Auto-reset High Pressure Control Switch | | | |
| LOW WATER PROTECTION | Float Switch | | | |
| ACCESSORIES -SUPPLIED | N/A | | | |
| -REQUIRED | Ice Dispenser or Ice Storage Bin | | | |
| OPERATING CONDITIONS | VOLTAGE RANGE | 187 - 253 V | | |
| | AMBIENT TEMP. | 45 -100° F | | |
| | WATER SUPPLY TEMP. | 45 - 90° F | | |
| | WATER SUPPLY PRESSURE | 20 - 145 PSIG | | |

We reserve the right to make changes in specifications and design without prior notice.

4. KMD-900MAH

| | | | |
|---------------------------------------|---|------------------|------------|
| AC SUPPLY VOLTAGE | 208-230/60/1 (3 wire with neutral for 115V) | | |
| AMPERAGE | 15 A (5 Min. Freeze AT 104°F / WT 80°F) | | |
| MINIMUM CIRCUIT AMPACITY | 15.5 A | | |
| MAXIMUM FUSE SIZE | 25 A | | |
| APPROXIMATE ICE PRODUCTION PER 24 HR. | Ambient Temp.(°F) | WATER TEMP. (°F) | |
| lbs./day (kg/day) | | 50 | 70 |
| Reference without *marks | 70 | *875 (397) | 842 (382) |
| | 80 | 850 (386) | 799 (362) |
| | 90 | 842 (382) | *763 (346) |
| | 100 | 817 (370) | 743 (337) |
| | | 90 | 767 (348) |
| | | | 706 (320) |
| | | | 676 (307) |
| | | | 596 (270) |
| SHAPE OF ICE | Crescent Cube | | |
| ICE PRODUCTION PER CYCLE | 9.6 lbs. (4.4 kg) 624 pcs. | | |
| APPROXIMATE STORAGE CAPACITY | N/A | | |
| ELECTRIC & WATER CONSUMPTION | 90/70°F | 70/50°F | |
| ELECTRIC W (kWH/100 lbs.) | 2000(6.3) | 1930(5.3) | |
| WATER gal./24HR (gal./100 lbs.) | 265(34.7) | 507(57.9) | |
| EXTERIOR DIMENSIONS (WxDxH) | 42" x 24.6" x 28" (1067 x 625 x 713 mm) | | |
| EXTERIOR FINISH | Stainless Steel, Galvanized Steel (Rear) | | |
| WEIGHT | Net 240 lbs. (109 kg), Shipping 278 lbs. (126 kg) | | |
| CONNECTIONS - ELECTRIC | Permanent - Connection | | |
| - WATER SUPPLY | Inlet | 1/2" FPT | |
| - DRAIN | Outlet | 3/4" FPT | |
| | | 5/8" OD Tube | |
| CUBE CONTROL SYSTEM | Float Switch | | |
| HARVESTING CONTROL SYSTEM | Hot Gas and Water, Thermistor and Timer | | |
| ICE MAKING WATER CONTROL | Timer Controlled. Overflow Pipe | | |
| COOLING WATER CONTROL | N/A | | |
| BIN CONTROL SYSTEM | Mechanical Level Switch and Timer | | |
| COMPRESSOR | Hermetic, Model CS14K6E-PFV-237 | | |
| CONDENSER | Air-Cooled, Fin and Tube Type | | |
| EVAPORATOR | Vertical type, Stainless Steel and Copper | | |
| REFRIGERANT CONTROL | Thermostatic Expansion Valve | | |
| REFRIGERANT CHARGE | R-404A, 3 lb. 8.3 Oz. (1600g) | | |
| DESIGN PRESSURE | High 467PSIG, Low 230PSIG | | |
| P.C. BOARD CIRCUIT PROTECTION | High Voltage Cut-out (Internal) | | |
| COMPRESSOR PROTECTION | Auto-reset Overload Protector (Internal) | | |
| REFRIGERANT CIRCUIT PROTECTION | Auto-reset High Pressure Control Switch | | |
| LOW WATER PROTECTION | Float Switch | | |
| ACCESSORIES -SUPPLIED | N/A | | |
| -REQUIRED | Ice Dispenser or Ice Storage Bin | | |
| OPERATING CONDITIONS | VOLTAGE RANGE | 187 - 253 V | |
| | AMBIENT TEMP. | 45 -100° F | |
| | WATER SUPPLY TEMP. | 45 - 90° F | |
| | WATER SUPPLY PRESSURE | 20 - 145 PSIG | |

We reserve the right to make changes in specifications and design without prior notice.

5. KMD-900MWH

| | | | | |
|---|--|------------------|---------------------------|-----------|
| AC SUPPLY VOLTAGE | 208-230/60/1 (3 wire with neutral for 115V) | | | |
| AMPERAGE | 14 A (5 Min. Freeze AT 104°F / WT 80°F) | | | |
| MINIMUM CIRCUIT AMPACITY | 14.7 | | | |
| MAXIMUM FUSE SIZE | 25 A | | | |
| APPROXIMATE ICE PRODUCTION PER 24 HR. lbs./day (kg/day) Reference without *marks | Ambient Temp.(°F) | WATER TEMP. (°F) | | |
| | | 50 | 70 | 90 |
| | 70 | *886 (402) | 859 (390) | 816 (370) |
| | 80 | 865 (392) | 823 (373) | 777 (352) |
| | 90 | 859 (390) | *793 (360) | 747 (339) |
| | 100 | 848 (385) | 782 (355) | 705 (320) |
| SHAPE OF ICE | Crescent Cube | | | |
| ICE PRODUCTION PER CYCLE | 9.6 lbs. (4.4 kg) 624 pcs. | | | |
| APPROXIMATE STORAGE CAPACITY | N/A | | | |
| ELECTRIC & WATER CONSUMPTION | 90/70°F | 70/50°F | | |
| ELECTRIC W (kWH/100 lbs.) | 1950(5.9) | 1950(5.3) | | |
| WATER gal./24HR (gal./100 lbs.) | 301(37.9) | 452(51.1) | | |
| WATER COOLED CONDENSER gal./24HR (gal./100 lbs.) | 831(105) | 526(59) | | |
| EXTERIOR DIMENSIONS (WxDxH) | 30" x 24.6" x 28" (762 x 625 x 713 mm) | | | |
| EXTERIOR FINISH | Stainless Steel, Galvanized Steel (Rear) | | | |
| WEIGHT | Net 219 lbs. (99 kg), Shipping 251 lbs. (114 kg) | | | |
| CONNECTIONS - ELECTRIC | Permanent - Connection | | | |
| - WATER SUPPLY | Inlet | 1/2" FPT | Condenser Inlet 1/2" FPT | |
| - DRAIN | Outlet | 3/4" FPT | Condenser Outlet 3/8" FPT | |
| | | 5/8" OD Tube | | |
| CUBE CONTROL SYSTEM | Float Switch | | | |
| HARVESTING CONTROL SYSTEM | Hot Gas and Water, Thermistor and Timer | | | |
| ICE MAKING WATER CONTROL | Timer Controlled. Overflow Pipe | | | |
| COOLING WATER CONTROL | Pressure Regulator | | | |
| BIN CONTROL SYSTEM | Mechanical Level Switch and Timer | | | |
| COMPRESSOR | Hermetic, Model CS14K6E-PFV-237 | | | |
| CONDENSER | Water-cooled, Tube in Tube Type | | | |
| EVAPORATOR | Vertical type, Stainless Steel and Copper | | | |
| REFRIGERANT CONTROL | Thermostatic Expansion Valve | | | |
| REFRIGERANT CHARGE | R-404A, 2 lb. 0 Oz. (900g) | | | |
| DESIGN PRESSURE | High 427PSIG, Low 230PSIG | | | |
| P.C. BOARD CIRCUIT PROTECTION | High Voltage Cut-out (Internal) | | | |
| COMPRESSOR PROTECTION | Auto-reset Overload Protector (Internal) | | | |
| REFRIGERANT CIRCUIT PROTECTION | Auto-reset High Pressure Control Switch | | | |
| LOW WATER PROTECTION | Float Switch | | | |
| ACCESSORIES -SUPPLIED | N/A | | | |
| -REQUIRED | Ice Dispenser or Ice Storage Bin | | | |
| OPERATING CONDITIONS | VOLTAGE RANGE | 187 - 253 V | | |
| | AMBIENT TEMP. | 45 -100° F | | |
| | WATER SUPPLY TEMP. | 45 - 90° F | | |
| | WATER SUPPLY PRESSURE | 20 - 145 PSIG | | |

We reserve the right to make changes in specifications and design without prior notice.

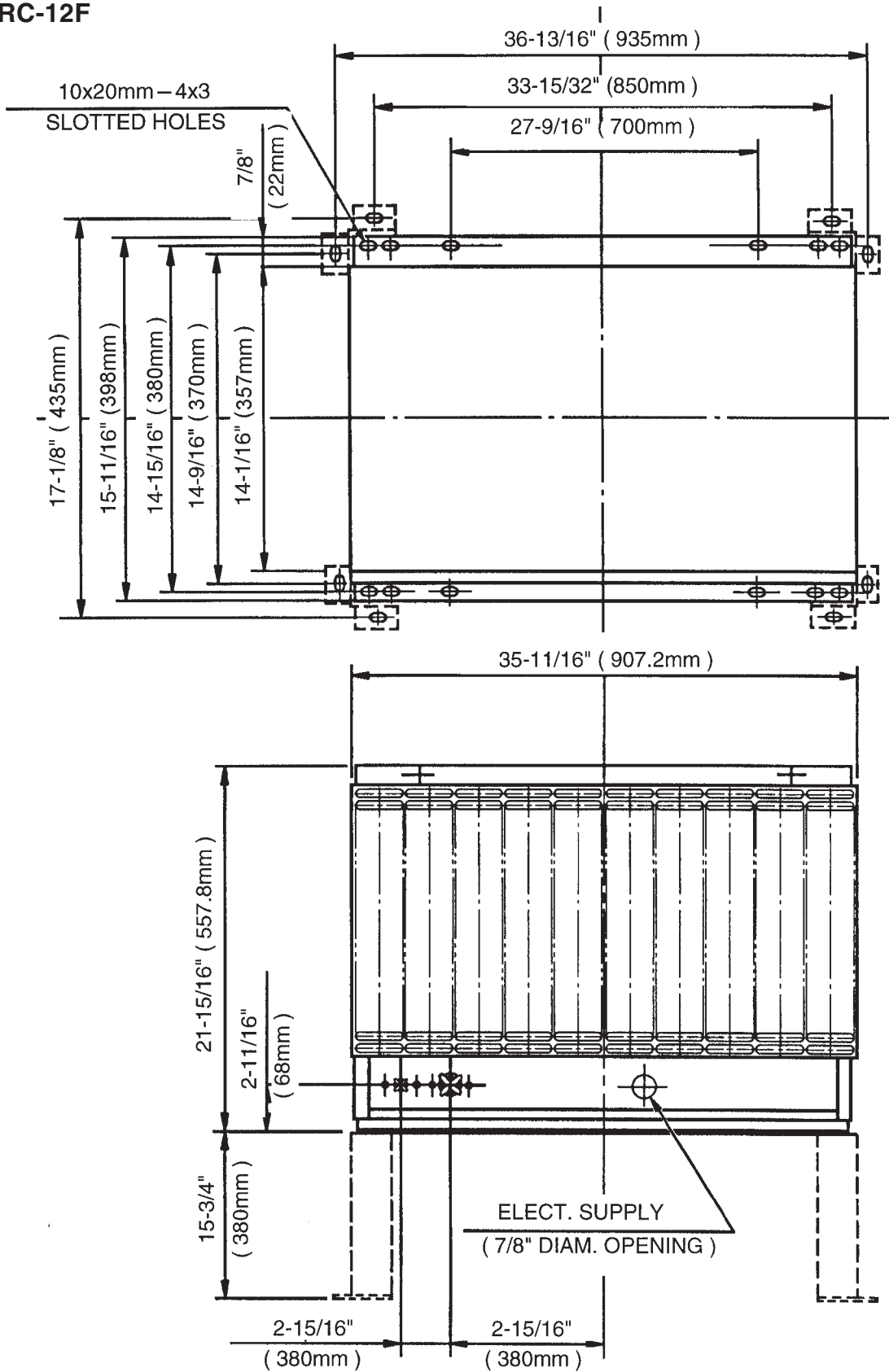
6. KMD-900MRH

| | | | | |
|---|--|------------------|------------|-----------|
| AC SUPPLY VOLTAGE | 208-230/60/1 (3 wire with neutral for 115V) | | | |
| AMPERAGE | 14 A (5 Min. Freeze AT 104°F / WT 80°F) | | | |
| MINIMUM CIRCUIT AMPACITY | 14.65 A | | | |
| MAXIMUM FUSE SIZE | 25 A | | | |
| APPROXIMATE ICE PRODUCTION PER 24 HR. lbs./day (kg/day) Reference without *marks | Ambient Temp.(°F) | WATER TEMP. (°F) | | |
| | | 50 | 70 | 90 |
| | 70 | *906 (411) | 878 (398) | 814 (369) |
| | 80 | 885 (401) | 842 (382) | 763 (346) |
| | 90 | 878 (398) | *812 (368) | 737 (335) |
| | 100 | 857 (389) | 795 (360) | 669 (303) |
| SHAPE OF ICE | Crescent Cube | | | |
| ICE PRODUCTION PER CYCLE | 9.6 lbs. (4.4 kg) 624 pcs. | | | |
| APPROXIMATE STORAGE CAPACITY | N/A | | | |
| ELECTRIC & WATER CONSUMPTION | 90/70°F | 70/50°F | | |
| ELECTRIC W (kWH/100 lbs.) | 2220(6.6) | 2075(5.9) | | |
| WATER gal./24HR (gal./100 lbs.) | 266(33.4) | 465(53.1) | | |
| EXTERIOR DIMENSIONS (WxDxH) | 30" x 24.6" x 28" (762 x 625 x 713 mm) | | | |
| EXTERIOR FINISH | Stainless Steel, Galvanized Steel (Rear) | | | |
| WEIGHT | Net 226 lbs. (103 kg), Shipping 258 lbs. (117 kg) | | | |
| CONNECTIONS - ELECTRIC | Permanent - Connection | | | |
| - WATER SUPPLY | Inlet | 1/2" FPT | | |
| - DRAIN | Outlet | 3/4" FPT | | |
| | | 5/8" OD Tube | | |
| CUBE CONTROL SYSTEM | Float Switch | | | |
| HARVESTING CONTROL SYSTEM | Hot Gas and Water, Thermistor and Timer | | | |
| ICE MAKING WATER CONTROL | Timer Controlled. Overflow Pipe | | | |
| COOLING WATER CONTROL | N/A | | | |
| BIN CONTROL SYSTEM | Mechanical Level Switch and Timer | | | |
| COMPRESSOR | Hermetic, Model CS14K6E-PFV-279 | | | |
| CONDENSER | Air-Cooled Remote, Condenser Unit URC-12 F | | | |
| EVAPORATOR | Vertical type, Stainless Steel and Copper | | | |
| REFRIGERANT CONTROL | Thermostatic Expansion Valve | | | |
| | Condensing Pressure Regulator on URC-12F | | | |
| REFRIGERANT CHARGE | R-404A, 9 lb. 6 Oz. (4250g) (Icemaker 4 lbs. 15 oz. Cond. Unit 4 lb. 7 oz.) | | | |
| DESIGN PRESSURE | High 467PSIG, Low 230PSIG | | | |
| P.C. BOARD CIRCUIT PROTECTION | High Voltage Cut-out (Internal) | | | |
| COMPRESSOR PROTECTION | Auto-reset Overload Protector (Internal) | | | |
| REFRIGERANT CIRCUIT PROTECTION | Auto-reset High Pressure Control Switch | | | |
| LOW WATER PROTECTION | Float Switch | | | |
| ACCESSORIES -SUPPLIED | N/A | | | |
| -REQUIRED | Ice Dispenser or Ice Storage Bin | | | |
| OPERATING CONDITIONS | VOLTAGE RANGE | 187 - 253 V | | |
| | AMBIENT TEMP. | 45 -100° F | | |
| | WATER SUPPLY TEMP. | 45 - 90° F | | |
| | WATER SUPPLY PRESSURE | 20 - 145 PSIG | | |

We reserve the right to make changes in specifications and design without prior notice.

7. Condensing Unit

URC-12F



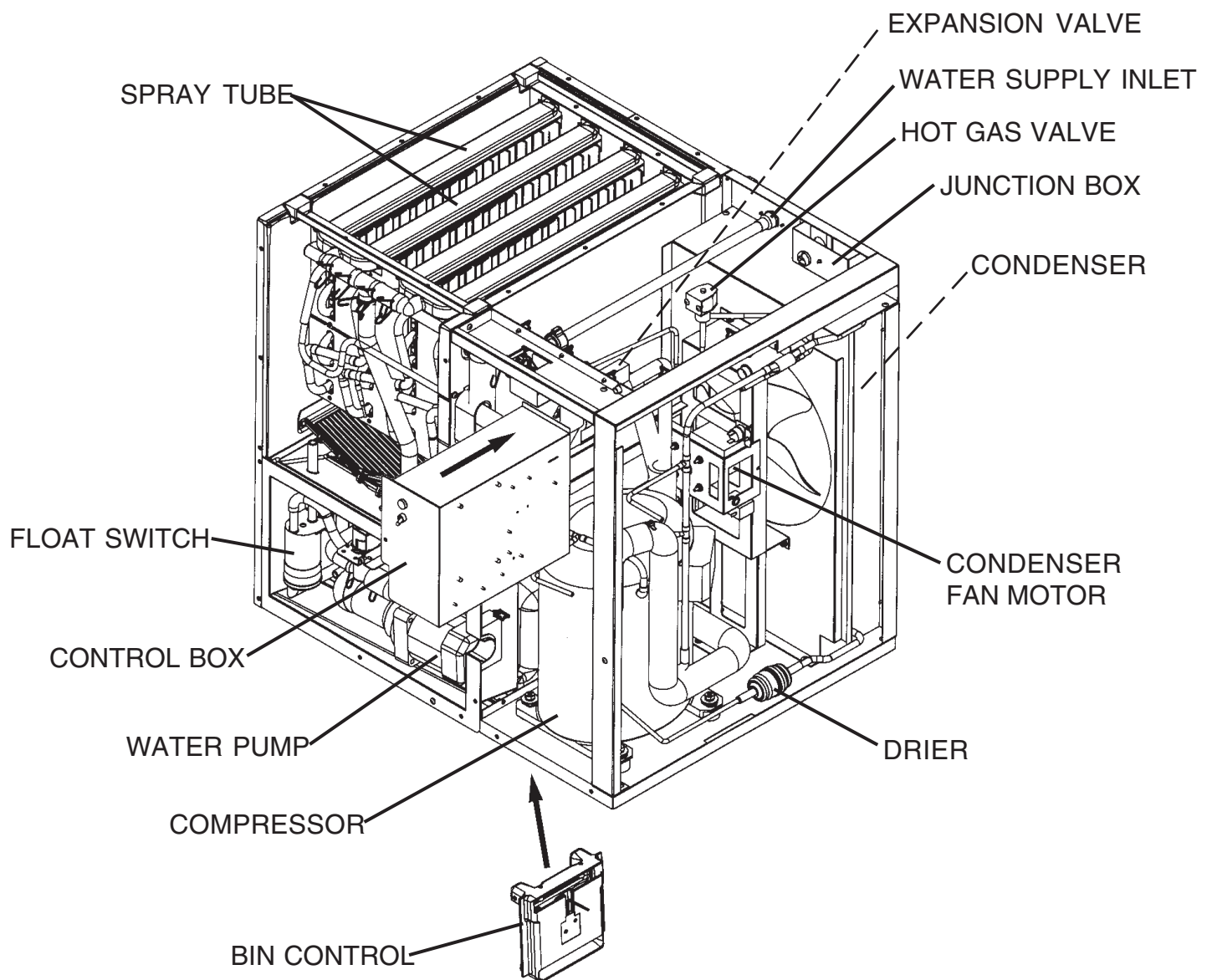
Specifications

| MODEL: URC-12F | |
|------------------------|---|
| EXTERIOR | Galvanized Steel |
| DIMENSIONS (W x D x H) | 35 - 11/16" x 15-11/16" x 21-15/16" (907.2 x 398 x 557.8 mm) |
| REFRIGERANT CHARGE | |
| URC-12F | R404A 4 lbs. 7 oz. (2000 g) |
| WEIGHT | Net 80 lbs. (36 kg) Shipping 87 lbs. (39 kg) |
| CONNECTIONS | |
| REFRIGERANT | One Shot Couplings (Aeroquip) |
| ELECTRICAL | Permanent Connection |
| CONDENSER | Air-cooled |
| HEAD PRESSURE CONTROL | Condensing Pressure Regulator |
| AMBIENT CONDITION | Min. -20°F - Max. +122°F (-29°C to +50°C) Outdoor use |

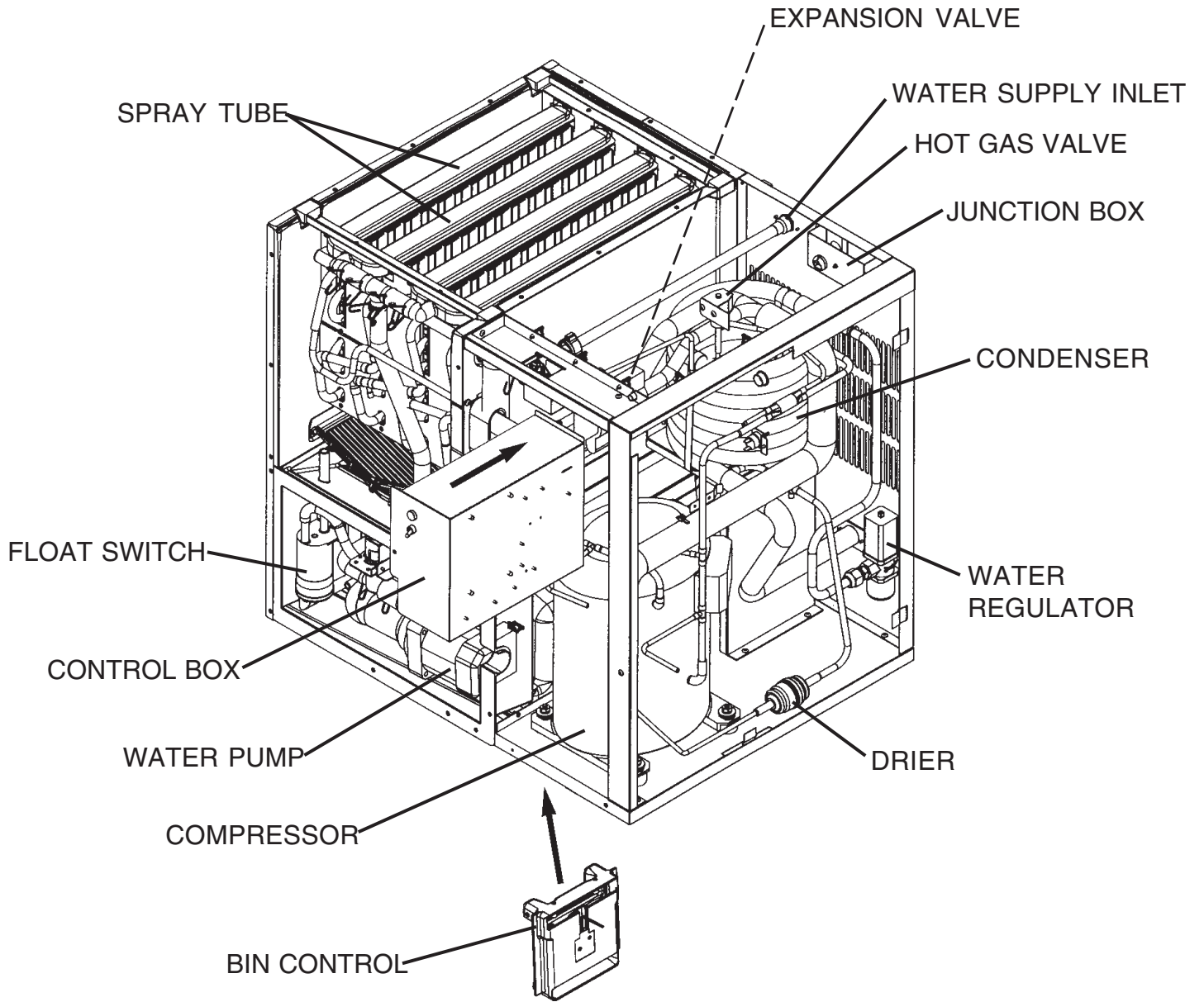
II. General Information

1. Construction

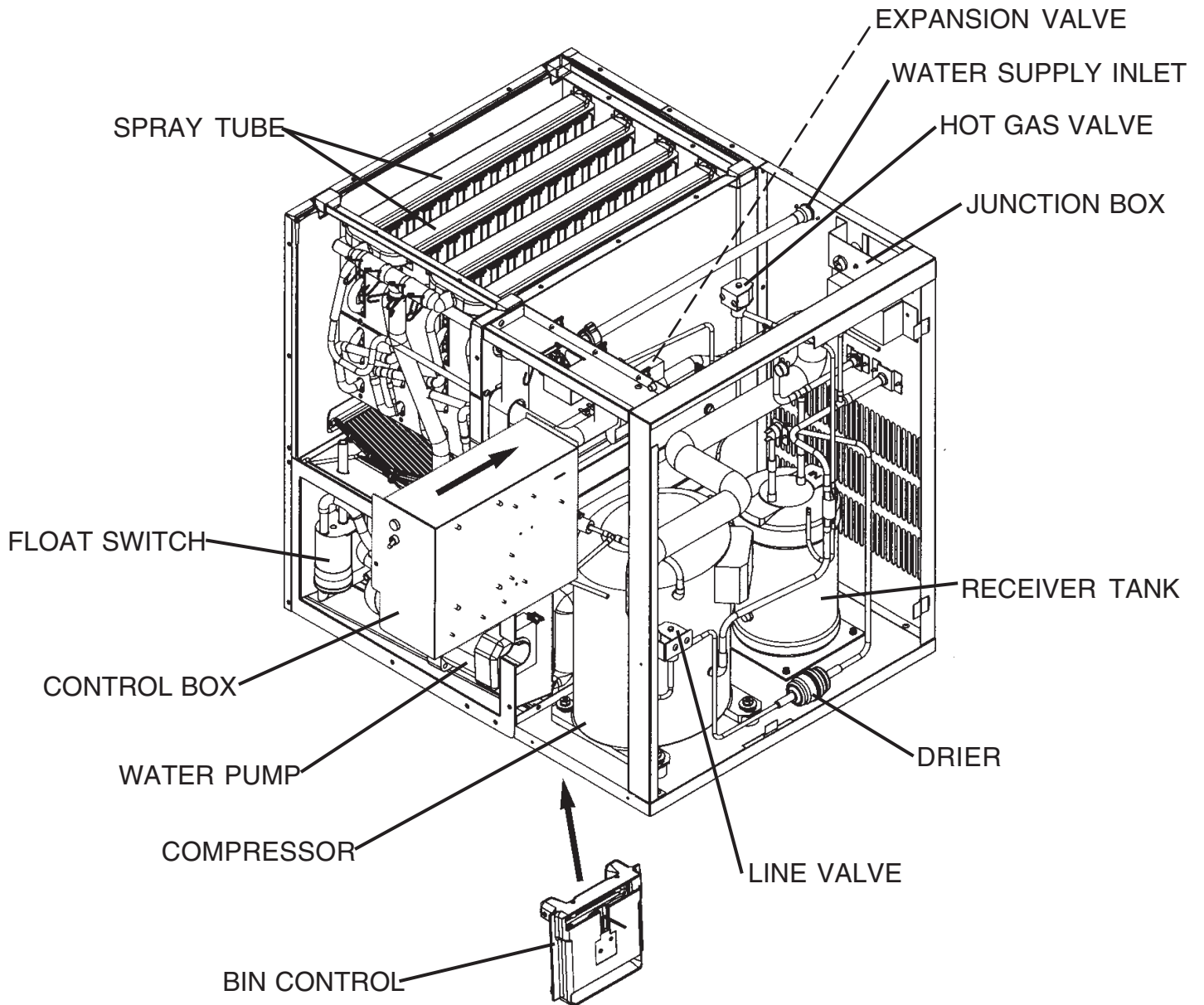
[a] KMD-700MAH



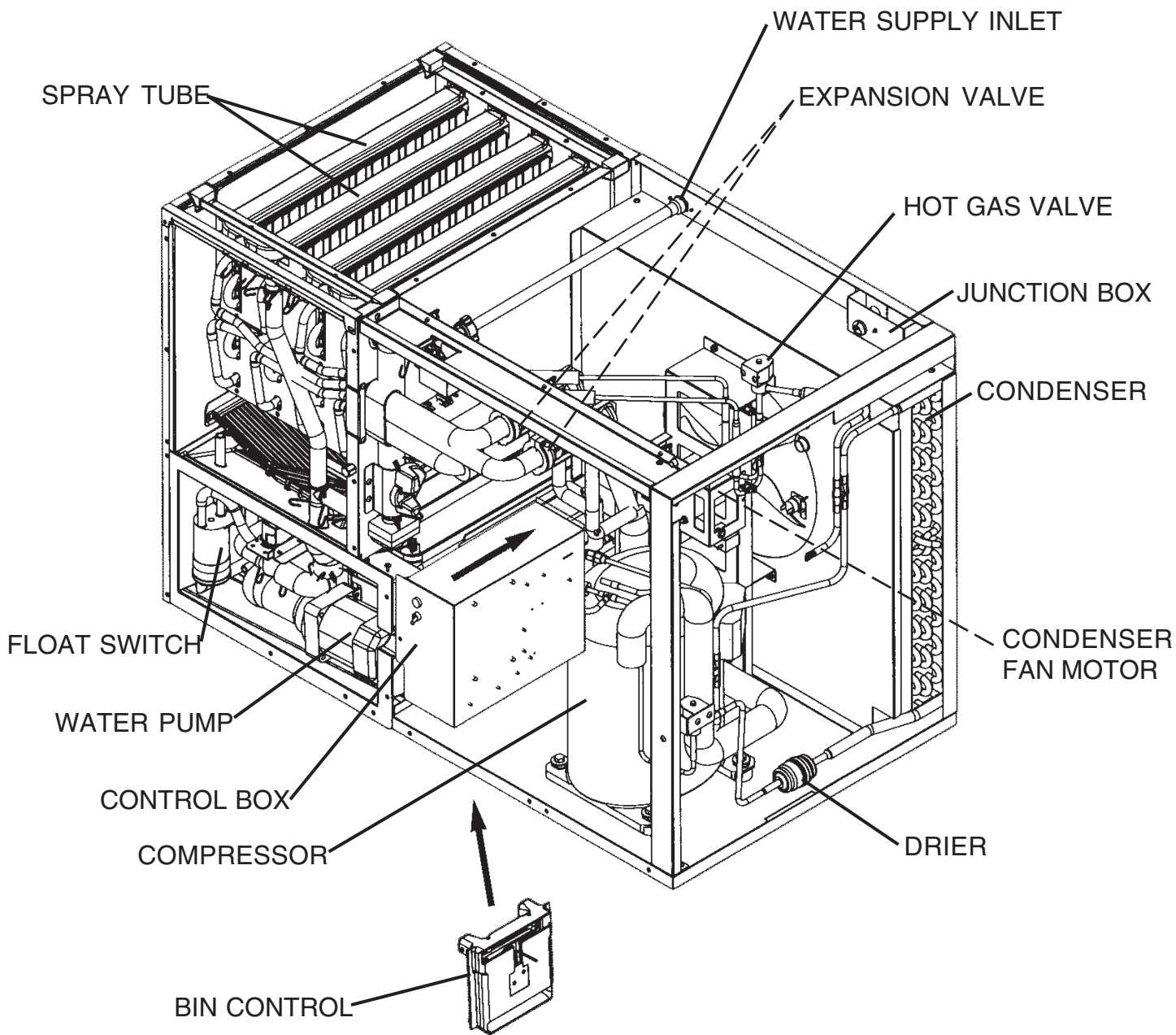
[b] KMD-700MWH



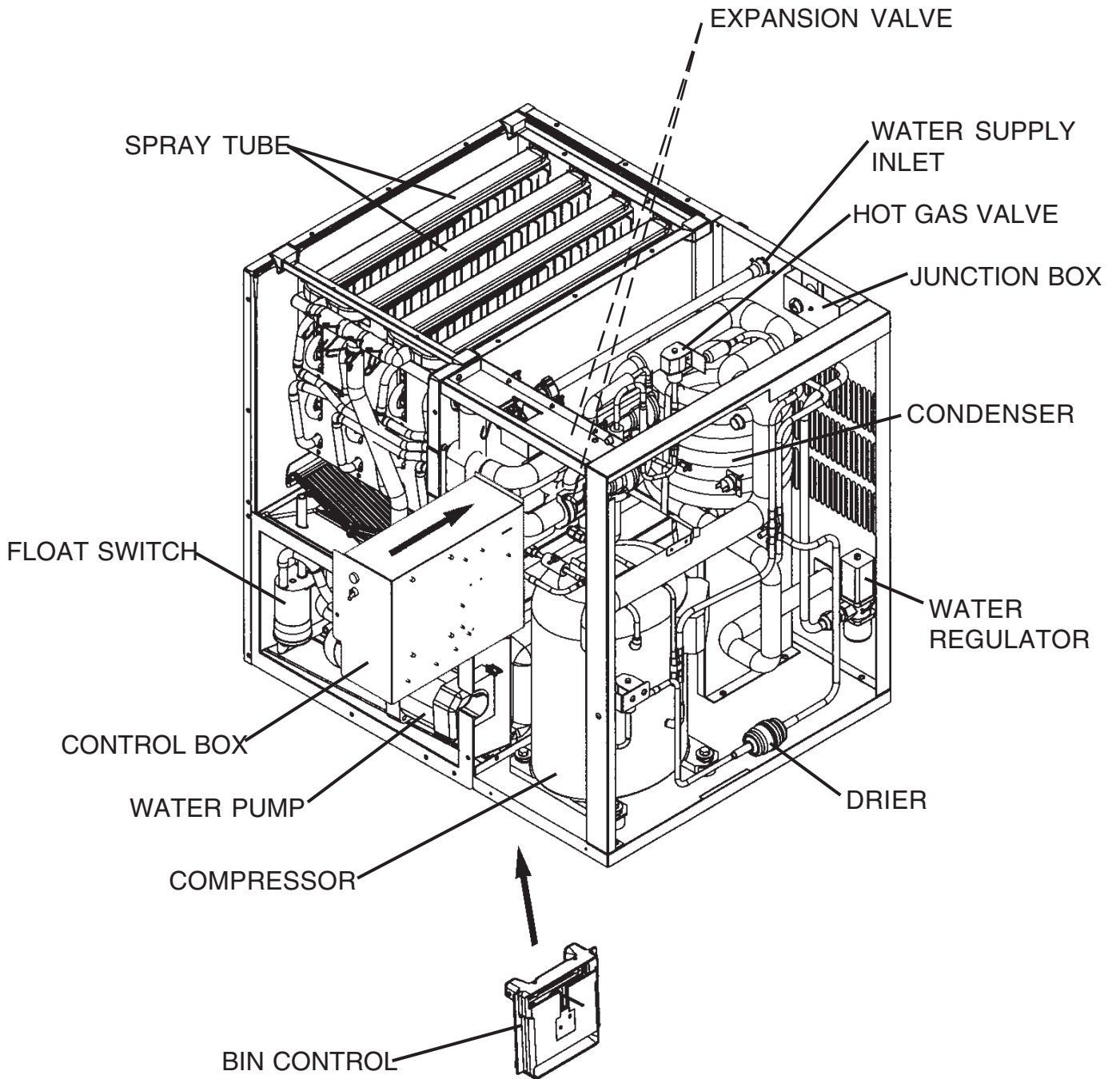
[c] KMD-700MRH



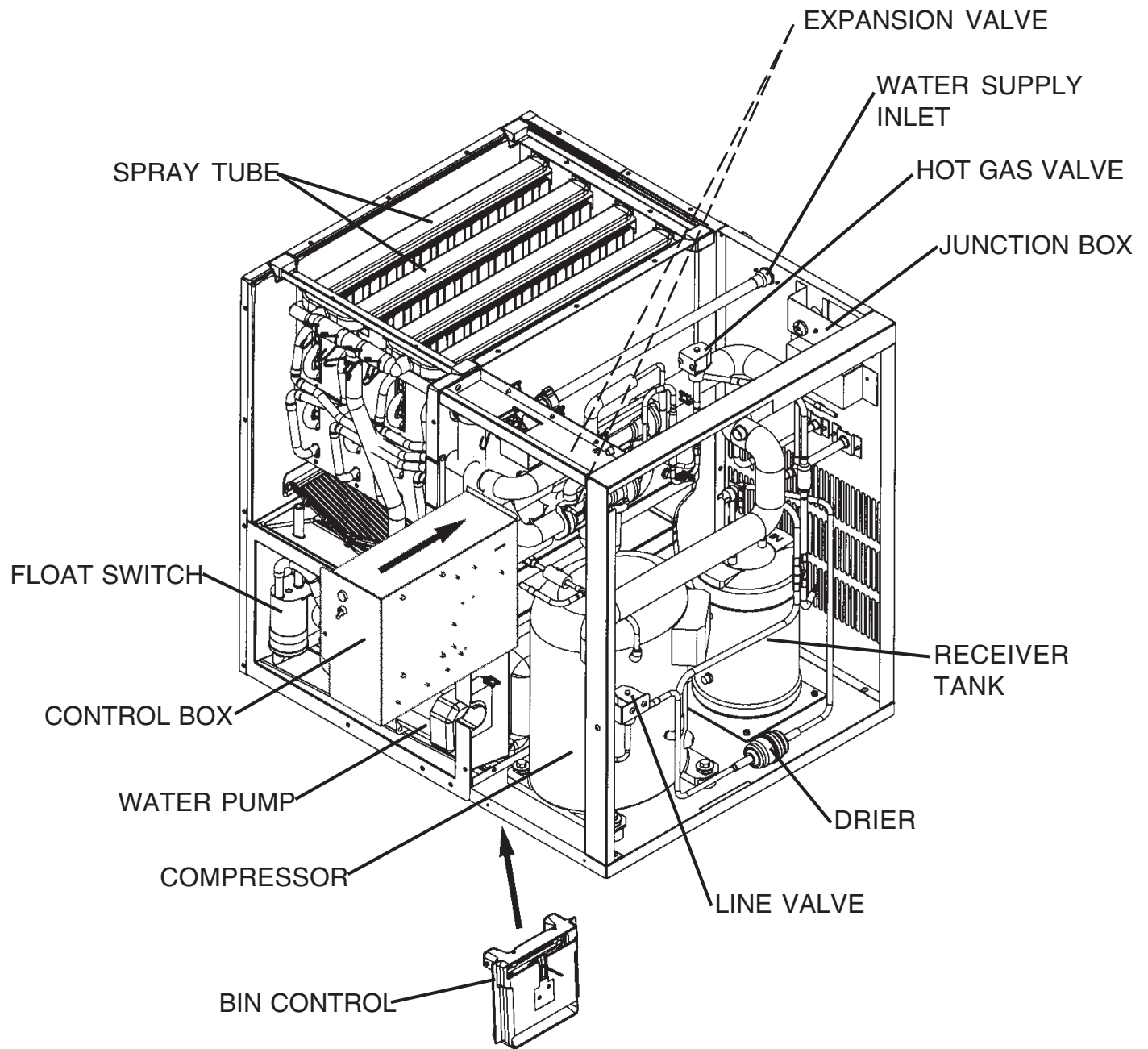
[d] KMD-900MAH



[e] KMD-900MWH



[f] KMD-900MRH



2. Controller Board

[a] Solid-State Control

- 1) A HOSHIZAKI exclusive solid-state control is employed in KMD Modular Crescent Cubers.
- 2) A printed circuit board (hereafter called “controller board”) includes a stable and high quality control system.
- 3) All models are pretested and factory-adjusted.

[b] Controller Board

CAUTION

1. Fragile, handle very carefully.
2. A controller board contains integrated circuits, which are susceptible to failure due to static discharge. It is especially important to touch the metal part of the unit when handling or replacing the board.
3. Do not touch the electronic devices on the board or the back of the board to prevent damage to the board.
4. Do not change wiring and connections. Do not misconnect K3, K4 and K5, because the same connector is used for the thermistor (white), float switch (black), and mechanical bin control (red).
5. Always replace the whole board assembly when it goes bad.
6. Do not short out power supply to test for voltage.

| Part Number | Type |
|-------------|-----------------------------|
| 2A1410-01 | HOS-001A (Control Products) |

Features of Control Products “E” Controller Board

- 1) Maximum Water Supply Period - 6 minutes

Water solenoid valve opening, in the defrost (harvest) cycle, is limited by the defrost timer. The water valve cannot remain open longer than the maximum period. The water valve can close in less than six minutes if the defrost cycle is completed.

2) Defrost Timer

The defrost cycle starts when the float switch opens and completes the freeze cycle. But the defrost timer does not start counting until the thermistor senses 48°F at the evaporator outlet. The period from the end of the freeze cycle up to the point of the thermistor's sensing varies depending on the ambient and water temperatures.

3) High Temperature Safety - $127 \pm 7^\circ\text{F}$

The temperature of the suction line in the refrigerant circuit is limited by the high temperature safety.

During the defrost cycle the evaporator temperature rises. The thermistor senses 48°F and starts the defrost timer. After the defrost timer counts down to zero, the normal freeze cycle begins. If the evaporator temperature continues to rise, the thermistor will sense the rise in temperature and at $127 \pm 7^\circ\text{F}$ the thermistor operates the high temperature safety.

This high temperature safety shuts down the circuit and the icemaker automatically stops. This high temperature safety protects the unit from excessive temperature. The control board will beep every 3 seconds. The white reset button on the control board must be pressed with power on to reset the safety.

4) Low Water Safety

If the pump motor is operated without water, the mechanical seal can fail. To prevent this type of failure, the controller board checks the position of the float switch at the end of the initial one minute water fill cycle and at the end of each defrost cycle.

If the float switch is in the up position (electrical circuit closed), the controller board changes to the ice making cycle. If the float switch is in the down position (electrical circuit open), the controller board changes to a one minute water fill cycle before starting the ice making cycle. This method allows for a low water safety shut down to protect the water pump from mechanical seal failure.

For water-cooled model, if the water is shut off, the unit is protected by the high pressure switch.

5) High Voltage Cutout

The maximum allowable supply voltage of this icemaker is limited by the high voltage cutout. If miswiring (especially on single phase 3 wire models) causes excessive voltage on the controller board, the high voltage cutout shuts down the circuit in 3 seconds and the icemaker automatically stops. When the proper supply voltage is resumed, the icemaker automatically starts running again. The control board will signal this problem using 7 beeps every 3 seconds.

6) LED Lights and Audible Alarm Safeties

The red LED indicates proper control voltage and will remain on unless a control voltage problem occurs. At startup a 5 second delay occurs while the board conducts an internal timer check. A short beep occurs when the power switch is turned ON or OFF.

The green LEDs 1-4 represent the corresponding relays and energize and sequence 5 seconds from initial startup as follows:

| Sequence Step | LED | Time LEDs are Lit | | |
|----------------------------|-------------|-------------------|------------|------------------|
| | | Min. | Max. | Avg. |
| 1 Minute Fill Cycle | 4 | | | 60 seconds |
| Harvest Cycle | 1, 4, and 2 | 2 minutes | 20 minutes | 3 to 5 minutes |
| Freeze Cycle | 1 | 5 minutes | 60 minutes | 30 to 35 minutes |
| Reverse Pump Out | 1, 3, and 2 | 10 seconds | 20 seconds | factory setting |

{LED 1 – Comp; LED 2 - HGV/CFM; LED 3 – PM; LED 4 - WV}

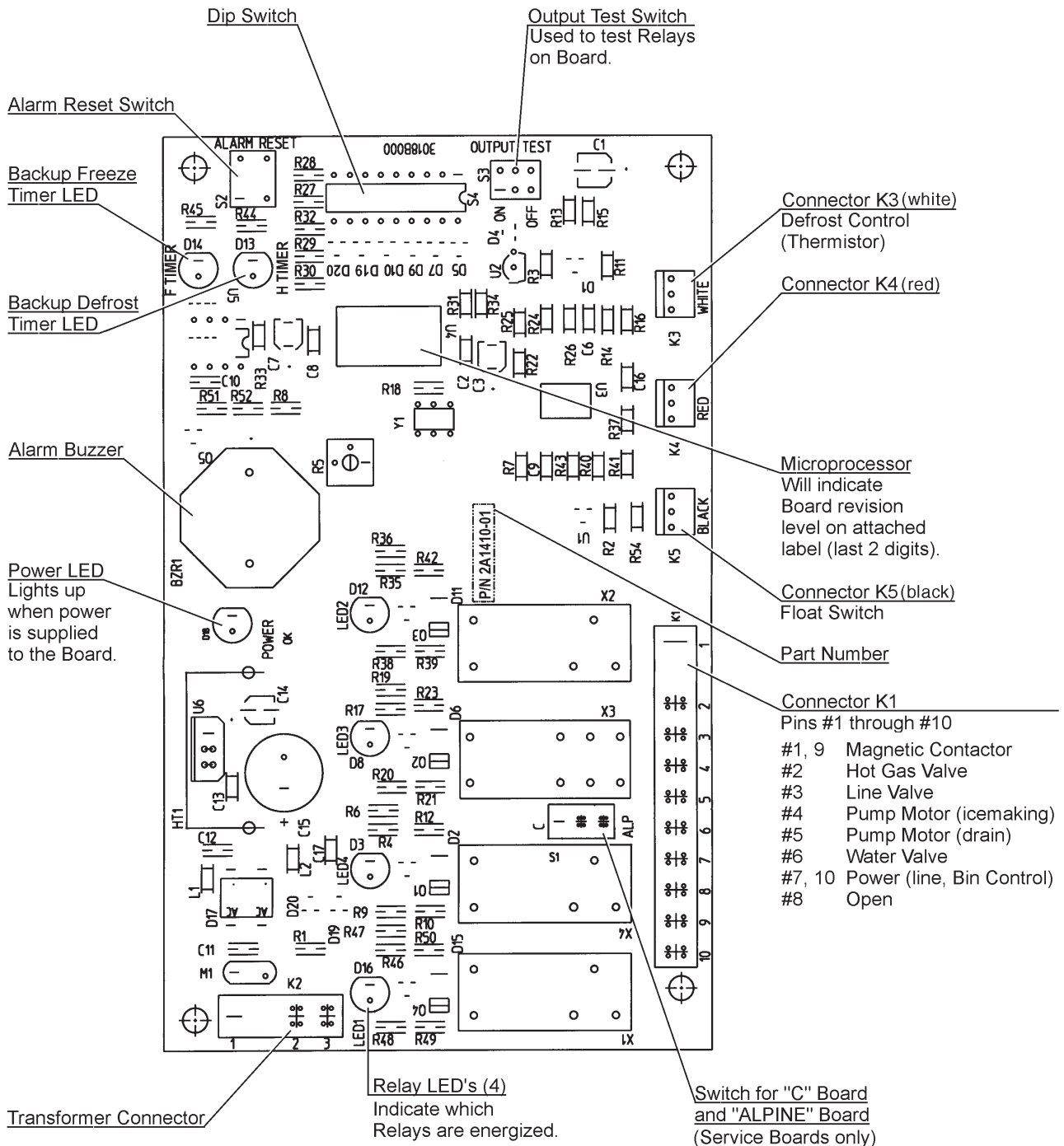
The built in safeties shut down the unit and have alarms as follows:

| No. of Beeps (every 3 sec.) | Type of Alarm | Notes |
|--|---|---|
| 1 | High Evaporator Temp. (temperature > 127°F) | Check for defrost problem (stuck HGV or relay), hot water entering unit, stuck headmaster, or shorted thermistor. |
| 2 | Defrost Backup Timer (defrost > 20 min.) | Orange LED marked 20 MIN lights up. Check for open thermistor, HGV not opening, TXV leaking by, low charge, or inefficient compressor. |
| 3 | Freeze Backup Timer (freeze > 60 min.) | Yellow LED marked 60 MIN lights up. Check for F/S stuck closed (up), WV leaking by, HGV leaking by, TXV not feeding properly, low charge, or inefficient compressor. |
| 4 | Short Circuit (between the K4 connection on the control board and the bin control relay) | Check connections and replace wire harness if necessary. |
| 5 | Open Circuit (between the K4 connection on the control board and the bin control relay) | Check connections and replace wire harness if necessary. |
| To manually reset the above safeties, press the white alarm reset button with the power supply on. | | |
| 6 | Low Voltage (92Vac or less) | |
| 7 | High Voltage (control voltage > 147Vac ±5%) | Red LED will turn off if voltage protection operates. The voltage safety automatically resets when voltage is corrected. |

The **Output Test** switch “S3” provides a relay sequence test. With power OFF, place S3 ON and switch power to ICE. The correct lighting sequence should be none, 2, 3, 4, 1, & 4, normal sequence every 5 seconds. (The LEDs are not in numerical order on the board. See the diagram on the next page for the location and numbering of LEDs). S3 should remain in the “OFF” position for normal operation.

The application switch located between relay X3 & X4 must be set to match the original board application. Place this switch in the ALP position if there is no white wire supplied to the K1 connector. If there is a white wire, place the switch in the C position. If this switch is placed in the wrong position, either the compressor contactor will remain energized with the control switch OFF, or the unit will not start.

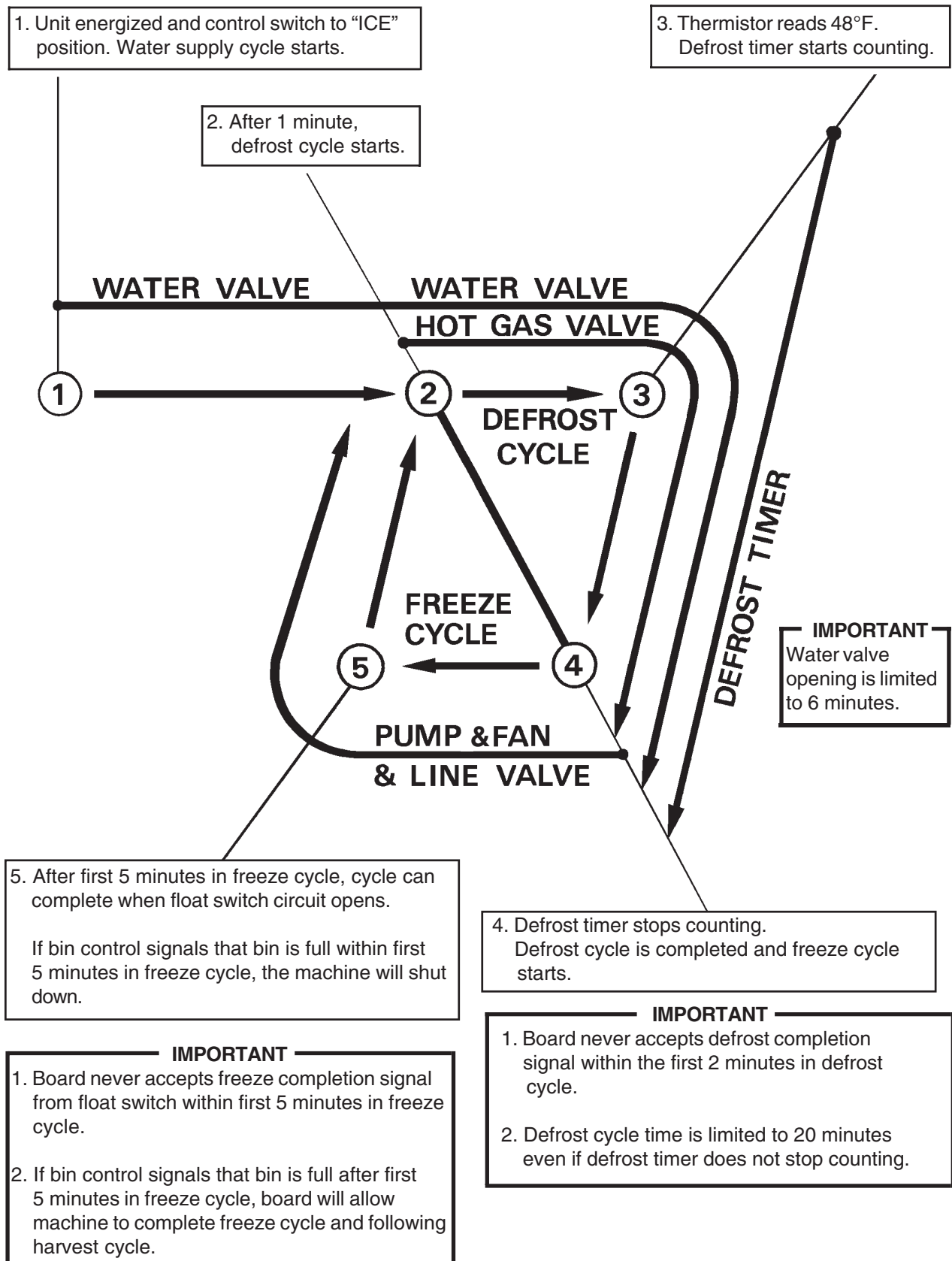
The dip switches should be adjusted per the adjustment chart published in the Tech Specs book. Number 8 must remain in the OFF position.



(Control Products HOS-001A Board)

[c] Sequence

1st Cycle



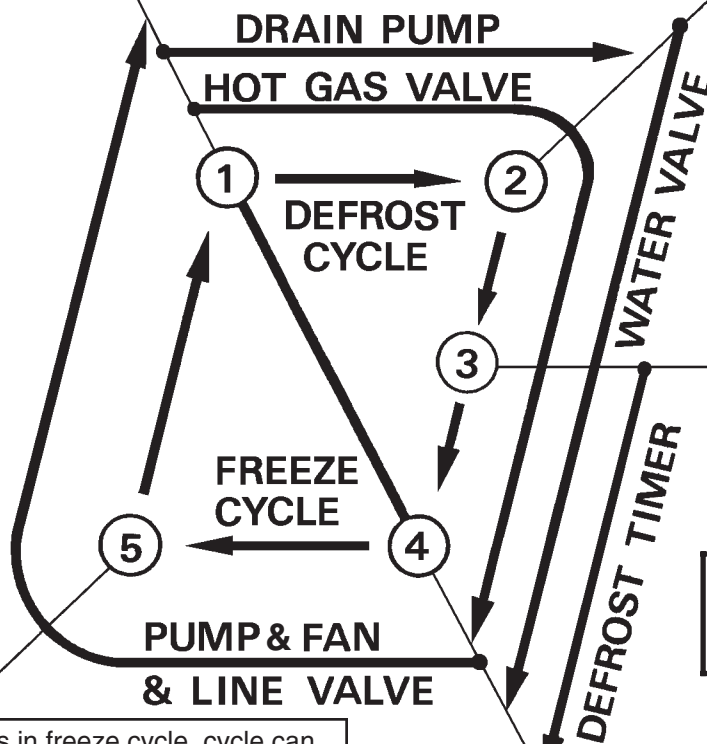
2nd Cycle and after with pump drain

IMPORTANT

Freeze cycle time is limited to 60 minutes even if float switch does not open.

1. Float switch opens and signals to complete freeze cycle.
Drain timer starts counting.

2. Drain timer stops counting.
Pump drain is completed



3. Thermistor reads 48°F.
Defrost timer starts counting.

IMPORTANT
Water valve opening is limited to 6 minutes.

5. After first 5 minutes in freeze cycle, cycle can complete when float switch circuit opens.

If bin control signals that bin is full within first 5 minutes in freeze cycle, the machine will shut down.

4. Defrost timer stops counting.
Defrost cycle is completed and freeze cycle starts.

IMPORTANT

1. Board never accepts freeze completion signal from float switch within first 5 minutes in freeze cycle.
2. If bin control signals that bin is full after first 5 minutes in freeze cycle, board will allow machine to complete freeze cycle and following harvest cycle.

IMPORTANT

1. Board never accepts defrost completion signal within the first 2 minutes in defrost cycle.
2. Defrost cycle time is limited to 20 minutes even if defrost timer does not stop counting.

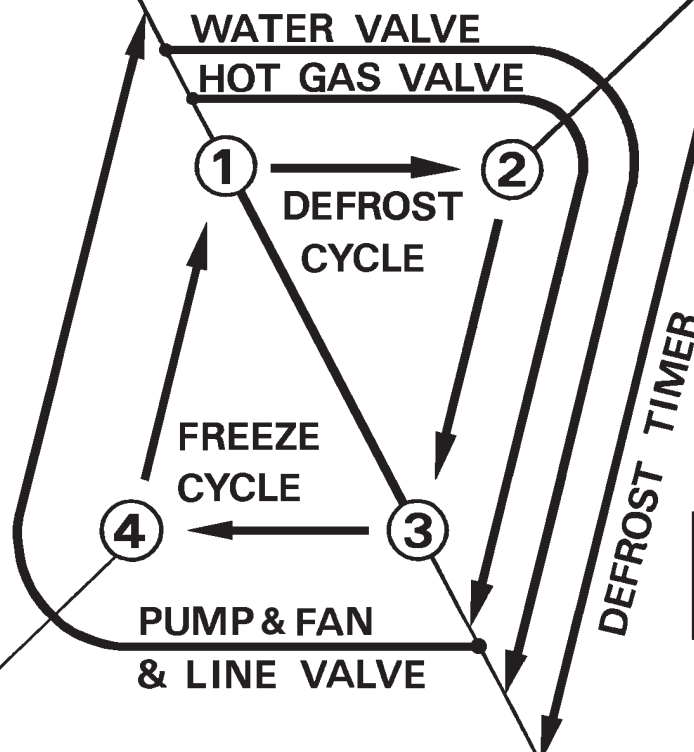
2nd Cycle and after with no pump drain

IMPORTANT

Freeze cycle time is limited to 60 minutes even if float switch does not open.

1. Float switch opens and signals to complete freeze cycle.

2. Thermistor reads 48°F. Defrost timer starts counting.



IMPORTANT

Water valve opening is limited to 6 minutes.

4. After first 5 minutes in freeze cycle, cycle can complete when float switch circuit opens.

If bin control signals that bin is full within first 5 minutes in freeze cycle, the machine will shut down.

3. Defrost timer stops counting. Defrost cycle is completed and freeze cycle starts.

IMPORTANT

1. Board never accepts freeze completion signal from float switch within first 5 minutes in freeze cycle.

2. If bin control signals that bin is full after first 5 minutes in freeze cycle, board will allow machine to complete freeze cycle and following harvest cycle.

IMPORTANT

1. Board never accepts defrost completion signal within the first 2 minutes in defrost cycle.

2. Defrost cycle time is limited to 20 minutes even if defrost timer does not stop counting.

[d] Controls and Adjustments

The Dip Switch is factory-adjusted to the following positions:

| DIP SWITCH # | 1 | 2 | 3 | 4 | 5 | 6 | 7 | 8 | 9 | 10 |
|--------------|-----|-----|-----|-----|----|----|----|-----|-----|-----|
| KMD-700MAH | OFF | OFF | OFF | OFF | ON | ON | ON | OFF | OFF | OFF |
| KMD-700MWH | ON | OFF | OFF | OFF | ON | ON | ON | OFF | OFF | OFF |
| KMD-700MRH | ON | OFF | OFF | OFF | ON | ON | ON | OFF | OFF | OFF |
| KMD-900MAH | OFF | OFF | OFF | OFF | ON | ON | ON | OFF | OFF | OFF |
| KMD-900MWH | ON | OFF | OFF | OFF | ON | ON | ON | OFF | OFF | OFF |
| KMD-900MRH | OFF | OFF | OFF | OFF | ON | ON | ON | OFF | OFF | OFF |

Switch Nos. 1 and 2:

Used for adjustment of the defrost timer.

The defrost timer starts counting when the thermistor reads a certain temperature at the evaporator outlet.

Switch Nos. 3 and 4:

Used for adjustment of the drain timer.

When a freeze cycle is completed, the pump motor stops, and the icemaker resumes operation in 2 seconds. Then the pump motor drains the water tank for the time determined by the drain timer. The drain timer also determines the time to restrain completion of a defrost cycle, i.e. the minimum defrost time.

Switch Nos. 5 and 6:

Used for adjustment of the drain counter.

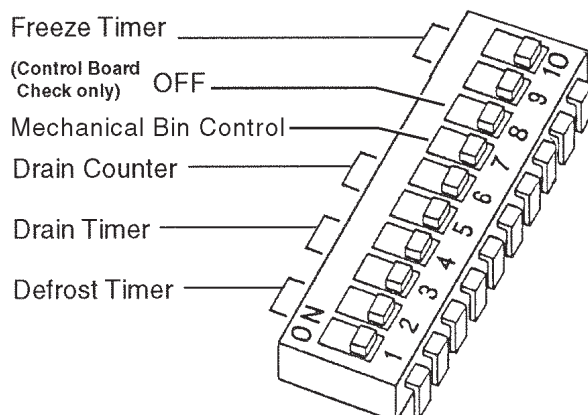
The pump motor drains the water tank at the frequency determined by the drain counter.

Switch No. 7:

Used only on models with mechanical bin control. Dip switch should be set "ON". (Models with bin thermostat, switch no. 7 should be set in the "OFF" position.)

Switch No. 8:

Used only for checking the controller board. Usually set in OFF position.



Switch Nos. 9 and 10:

Used for adjustment of freeze timer. The freeze timer determines maximum freeze cycle time. Upon termination of freeze timer, machine initiates the harvest cycle. After 2 consecutive timer terminations, machine will shut down, possibly indicating a problem.

1) Defrost Control

A thermistor (semiconductor) is used for a defrost control sensor. The resistance varies depending on the suction line temperatures. The thermistor detects the temperature of the evaporator outlet to start the defrost timer. No adjustment is required. If necessary, check for resistance between thermistor leads, and visually check the thermistor mounting, located on the suction line next to the evaporator outlet.

| Temperature (°F) | Resistance (kΩ) |
|------------------|-----------------|
| 0 | 14.401 |
| 10 | 10.613 |
| 32 | 6.000 |
| 50 | 3.871 |
| 70 | 2.474 |
| 90 | 1.633 |

Check a thermistor for resistance by using the following procedures.

- (i) Disconnect the connector K3 on the board.
- (ii) Remove the thermistor. See “V. 11. Removal and Replacement of Thermistor.”
- (iii) Immerse the thermistor sensor portion in a glass containing ice and water for 2 or 3 minutes.
- (iv) Check for a resistance between thermistor leads.
Normal reading is within 3.5 to 7 kΩ. Replace the thermistor if it exceeds the normal reading.

2) Defrost Timer

No adjustment is required under normal use, as the defrost timer is adjusted to the suitable position. However, if necessary when all the ice formed on the evaporator does not fall into the bin in the harvest cycle, adjust the defrost timer to longer setting by adjusting the dip switch (no. 1 & 2) on the controller board.

| SETTING | | TIME |
|------------------|------------------|-------------|
| Dip Switch No. 1 | Dip Switch No. 2 | |
| OFF | OFF | 60 seconds |
| ON | OFF | 90 seconds |
| OFF | ON | 120 seconds |
| ON | ON | 180 seconds |

3) Drain Timer

The drain timer is factory-adjusted, and no adjustment is required.

| SETTING | | TIME | |
|---------------------|---------------------|------------|-------------|
| Dip Switch No. 3 | Dip Switch No. 4 | T1 | T2 |
| OFF | OFF | 10 seconds | 150 seconds |
| ON | OFF | 10 seconds | 180 seconds |
| OFF | ON | 10 seconds | 120 seconds |
| ON | ON | 20 seconds | 180 seconds |

T1: Time to drain the water tank

T2: Time to restrain defrost completion

4) Drain Counter

The drain counter is factory-adjusted to drain the water tank every 10 cycles, and no adjustment is required. However, where water quality is bad and the icemaker needs a pump drain more often, the drain counter can be adjusted as shown in the table below:

| SETTING | | FREQUENCY |
|---------------------|---------------------|-----------------|
| Dip Switch No. 5 | Dip Switch No. 6 | |
| OFF | OFF | every cycle |
| ON | OFF | every 2 cycles |
| OFF | ON | every 5 cycles |
| ON | ON | every 10 cycles |

5) Freeze Timer

CAUTION

Adjust to proper specification, or the unit may not operate correctly.

Two new dip switches numbered 9 and 10 have been added to the improved "E" board to better prevent possible freeze ups. These settings come factory set to the default setting of 60 min. (OFF, OFF). Check the adjustment chart published in the Tech Specs for proper settings. If the old board does not have these two dip switches, (only 8 instead of 10), leave setting as OFF, OFF.

| SETTING | | TIME |
|---------------------|----------------------|---------|
| Dip Switch No. 9 | Dip Switch No. 10 | |
| OFF | OFF | 60 min. |
| ON | OFF | 70 min. |
| OFF | ON | 50 min. |
| ON | ON | 60 min. |

6) Bin Control

CAUTION

Dip switch no. 7 must be set to the ON position. If No. 7 is set to the OFF position, the machine will run continuously, causing a freeze-up condition.

No adjustment is required. The bin control is factory-adjusted.

[e] Checking the Controller Board

- 1) Visually check the sequence with the icemaker operating.
- 2) Visually check the controller board by using the following procedures.

- (i) Adjust the defrost timer to minimum position.
Disconnect the thermistor from the controller board.
Connect a 1.5 k Ω - 3.5 k Ω resistor to the connector K3 (pins #1 and #2), and energize the unit.
After the 1 minute \pm 5 second water supply cycle and the 2 minute \pm 10 second defrost cycle, the unit should start the freeze cycle.

- (ii) After the above step (i), disconnect the float switch leads from the controller board within the first 5 minutes of the freeze cycle.

The unit should go into the defrost cycle after the first 5 minutes \pm 20 seconds of the freeze cycle.

- (iii) Reconnect the float switch connector to the controller board. After the first 5 minutes of the freeze cycle, disconnect the float switch leads from the controller board.

At this point, the unit should start the defrost cycle.

- (iv) After step (iii), de-energize the unit and confirm that the defrost timer is in the minimum position. Disconnect the resistor from the controller board, and energize the unit.
After the 1 minute water supply cycle, the defrost cycle starts.
Reconnect a 1.5 k Ω - 3.5 k Ω resistor to the connector K3 (pins #1 and #2) after the first 2 minutes of the defrost cycle.

The unit should start the freeze cycle after 1 minute \pm 5 seconds from the resistor connection.

- 3) Check the controller board by using test program of the controller board.

The output test switch "S3" provides a relay sequence test. With power OFF, place S3 on and switch power to ICE. The correct lighting sequence should be none, 2, 3, 4, 1, and 4, normal sequence every 5 seconds. S3 should remain in the "OFF" position for normal operation.

3. Mechanical Bin Control

[a] Proximity Switch

- 1) This machine uses a lever-actuated proximity switch (hereafter called “mechanical bin control”) to control the ice level in the storage bin.

[b] Explanation of Operation

- 1) The startup and shutdown of the ice machine is controlled via the controller board. Dip switch number 7 must be in the ON position for the controller board to receive input from the bin control.
 - (i) The controller board receives a resistance value input via the red K4 connector from the bin control. A resistor wire harness is connected from the bin control to the controller board.
 - (ii) When the bin control is activated in the bin full position (pushed to the right), a 15.8 K Ω signal will be sent to the control board to shut down the unit.
 - (iii) When the bin control is in the normal position (bin is not full), a 7.9 K Ω reading is sent to the control board to continue operation.
- 2) During operation, the controller board will only shut down the machine if a 15.8 K Ω signal is received from the bin control during the first 5 minutes of the freeze cycle.
 - (i) If ice pushes the lever to the right after the first five minutes of the freeze cycle, the controller board will allow the machine to complete the freeze cycle and the following harvest cycle before shutting down the machine. This will prevent incomplete batches of ice from forming on the evaporator.

[c] Troubleshooting

1) Machine will not start

- (i) Move dip switch no. 7 to the “OFF” position. If the machine starts up within a few seconds, the bin control is the likely problem. If the machine does not start up, refer to section “IV. Service Diagnosis” to verify that non-bin control related issues are resolved.
- (ii) Check to make sure shipping tape has been removed and the wires are connected properly.
- (iii) Check to make sure no obstruction prevents the lever from moving to the bin empty position.

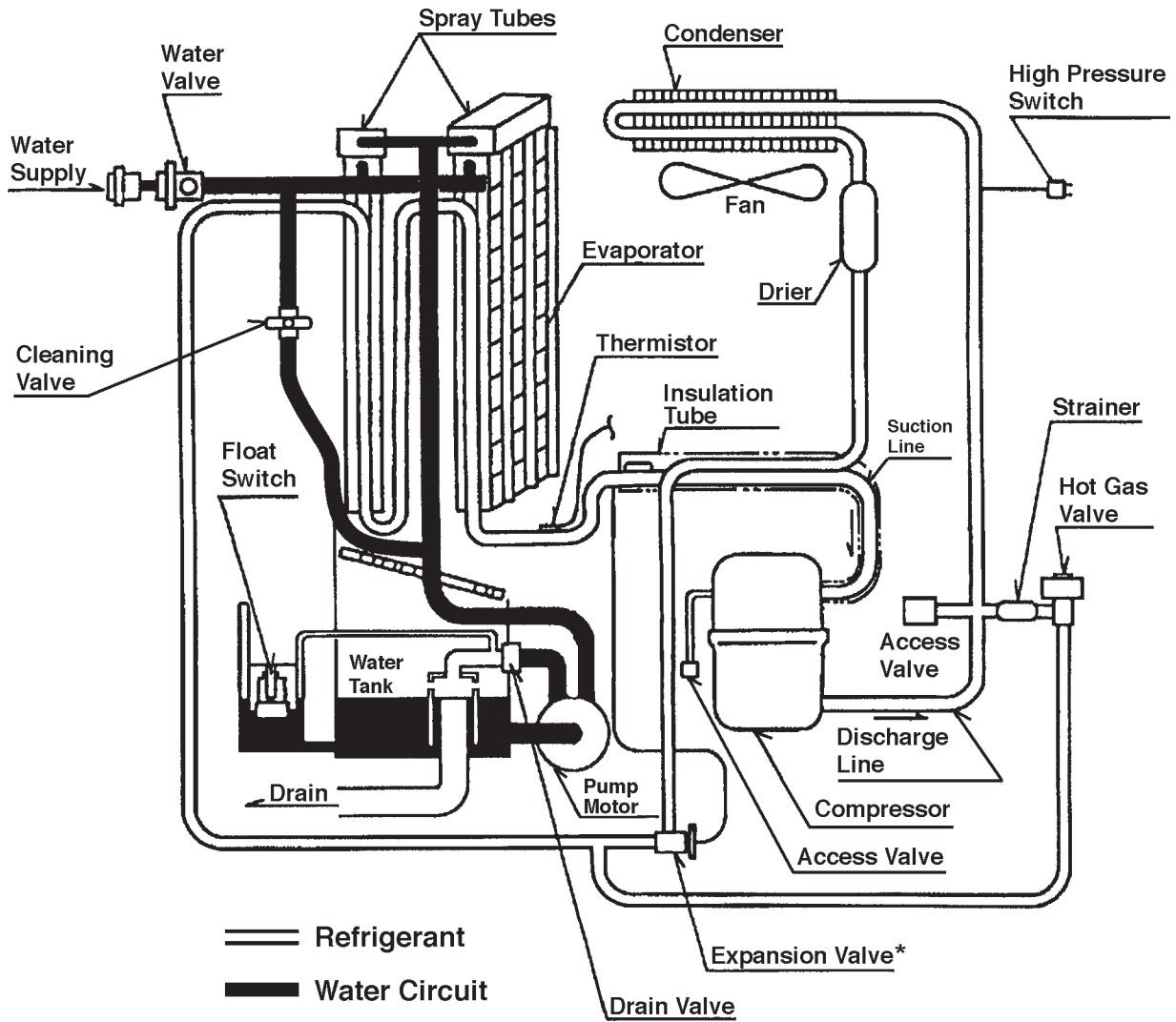
2) Machine will not shut off

- (i) Refer to Section “IV. Service Diagnosis” to verify that non-bin control related issues are resolved.
- (ii) Dip switch no. 7 should be in the on position. If the switch is in the off position, the controller board will not receive input from the bin control.
- (iii) Move the lever to the far right.
 - a. If the machine does not shut off, check the resistance values of the resistor wire harness. You should read approximately 15.8 K Ω between the black terminal and the red terminal that connect to the K4 connector on the controller board, when the lever is in the bin full position (far right). If this reads approximately 7.9 K Ω , the resistors may be miswired. Switch the black and white wires in the terminal housing or order a replacement wire harness.
 - b. If the preceding steps do not resolve the problem, replace the bin control assembly.

III. Technical Information

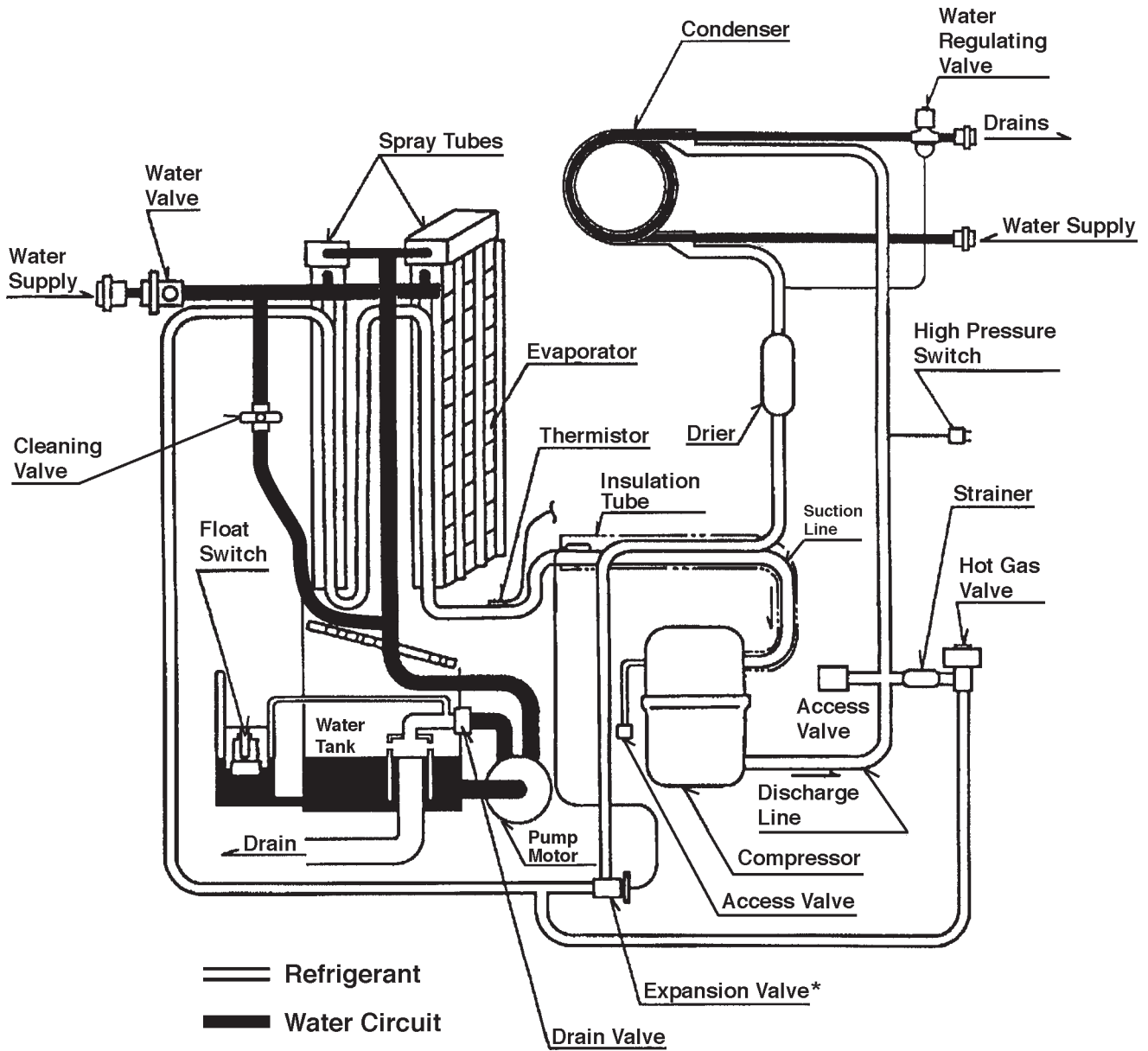
1. Water Circuit and Refrigerant Circuit

[a] KMD-700MAH and KMD-900MAH



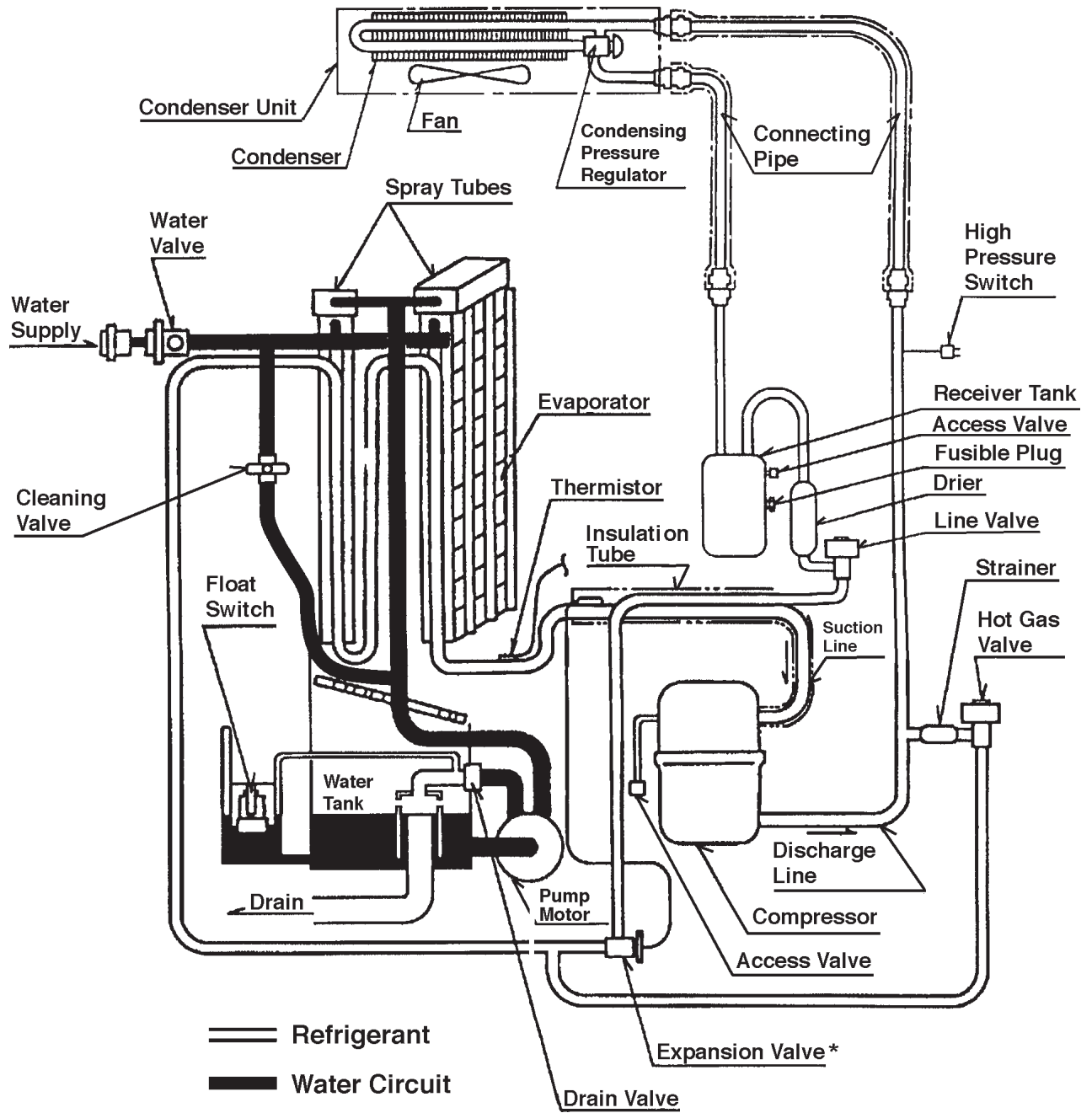
* Note: KMD-900M_H models have two expansion valves.

[b] KMD-700MWH and KMD-900MWH



* Note: KMD-900M_H models have two expansion valves.

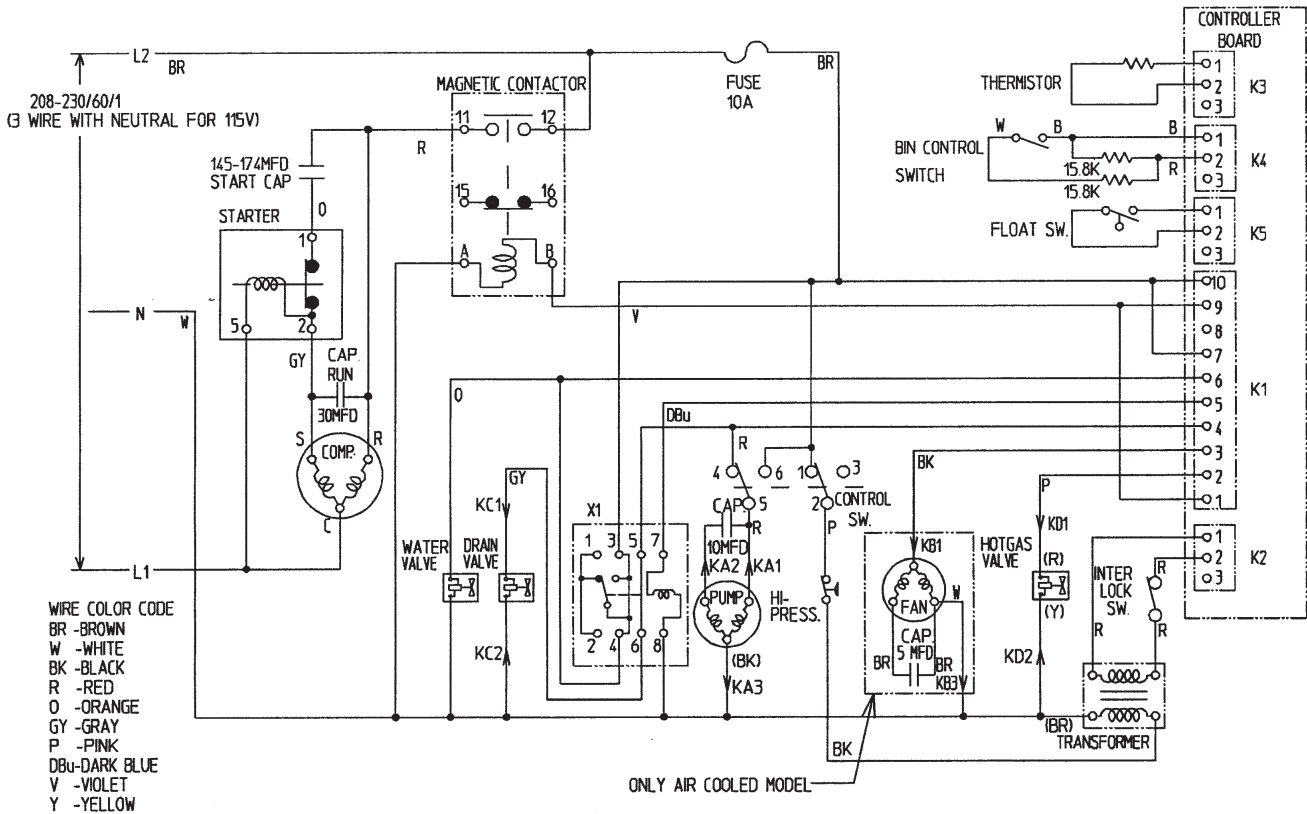
[c] KMD-700MRH and KMD-900MRH



* Note: KMD-900M_H models have two expansion valves.

2. Wiring Diagrams

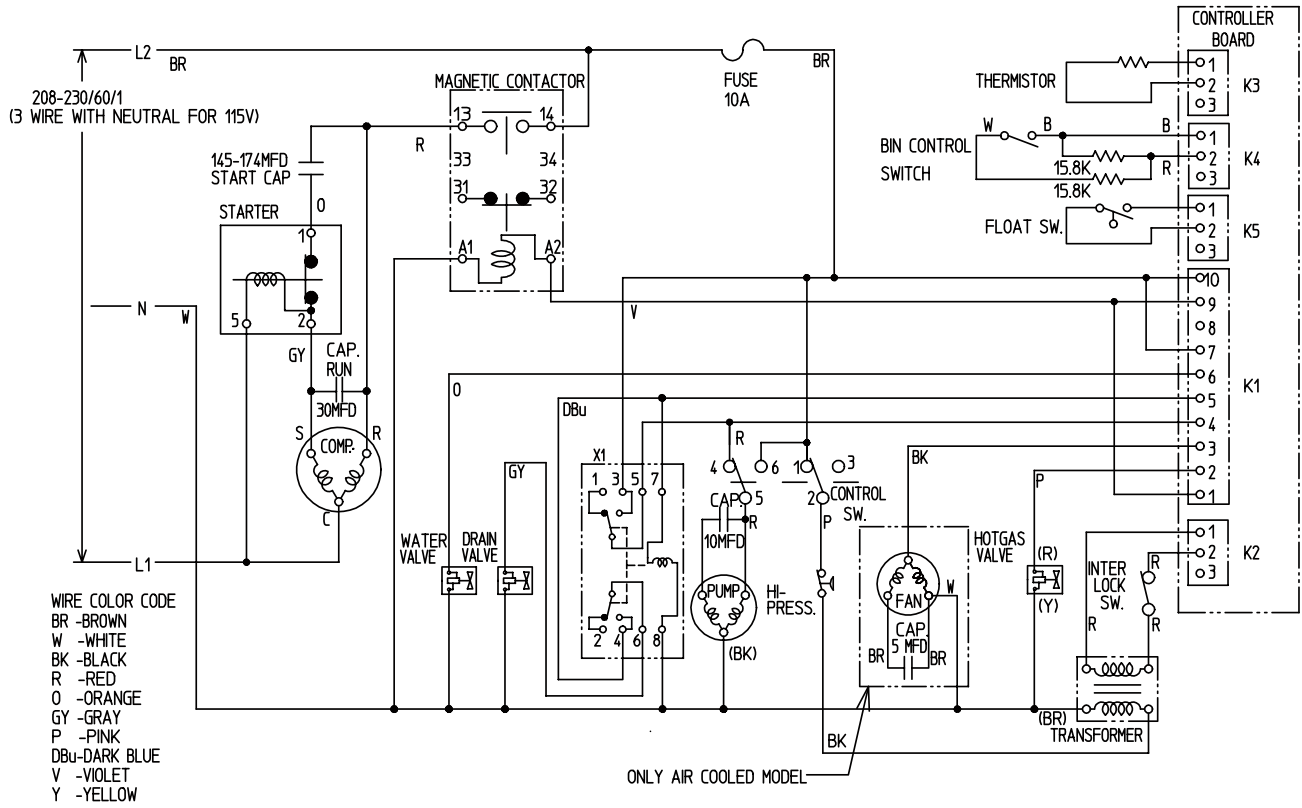
[a1] KMD-700MAH and KMD-700MWH (auxiliary code R-0 and earlier)



Note: Pressure Switch

| | MAH | MWH |
|---------|--|--|
| Cut-out | $412 \pm \begin{smallmatrix} 21 \\ 0 \end{smallmatrix}$ PSIG | $384 \pm \begin{smallmatrix} 21 \\ 0 \end{smallmatrix}$ PSIG |
| Cut-in | 327 ± 21 PSIG | 284 ± 21 PSIG |

[a2] KMD-700MAH and KMD-700MWH (auxiliary code R-1 and later)

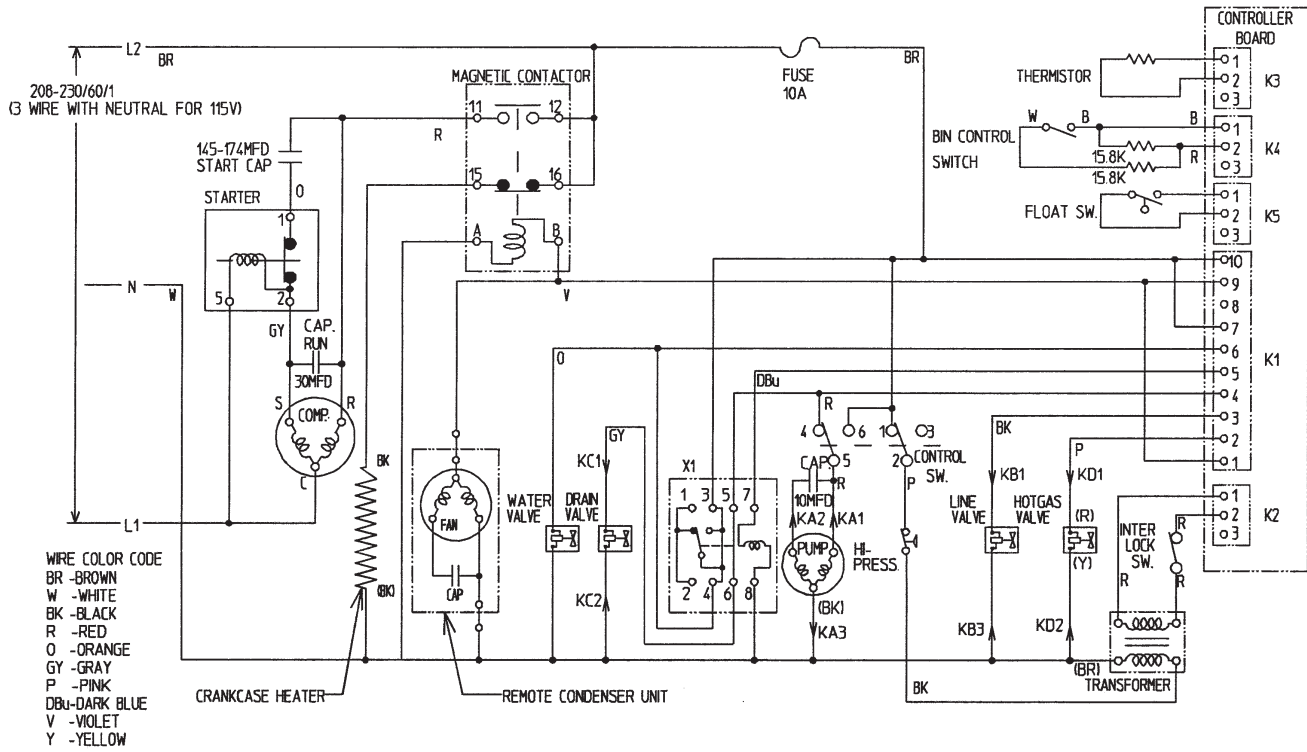


Note: Pressure Switch

| | MAH | |
|---------|---|------|
| Cut-out | $412 \pm \begin{matrix} 21 \\ 0 \end{matrix}$ | PSIG |
| Cut-in | 327 ± 21 | PSIG |

| | MWH | |
|---------|---|------|
| Cut-out | $384 \pm \begin{matrix} 21 \\ 0 \end{matrix}$ | PSIG |
| Cut-in | 284 ± 21 | PSIG |

[b1] KMD-700MRH (auxiliary code R-0 and earlier)

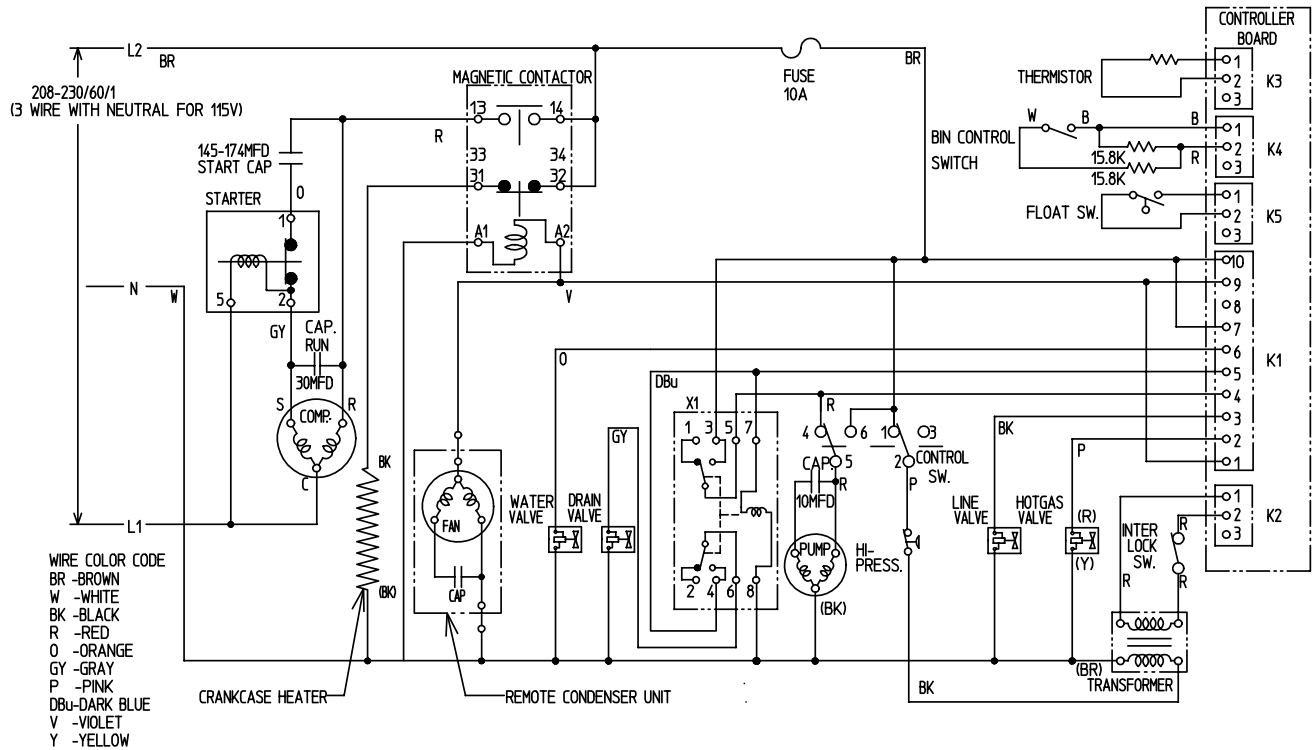


Note: Pressure Switch

Cut-out $412 \pm \begin{matrix} 21 \\ 0 \end{matrix}$ PSIG

Cut-in 327 ± 21 PSIG

[b2] KMD-700MRH (auxiliary code R-1 and later)

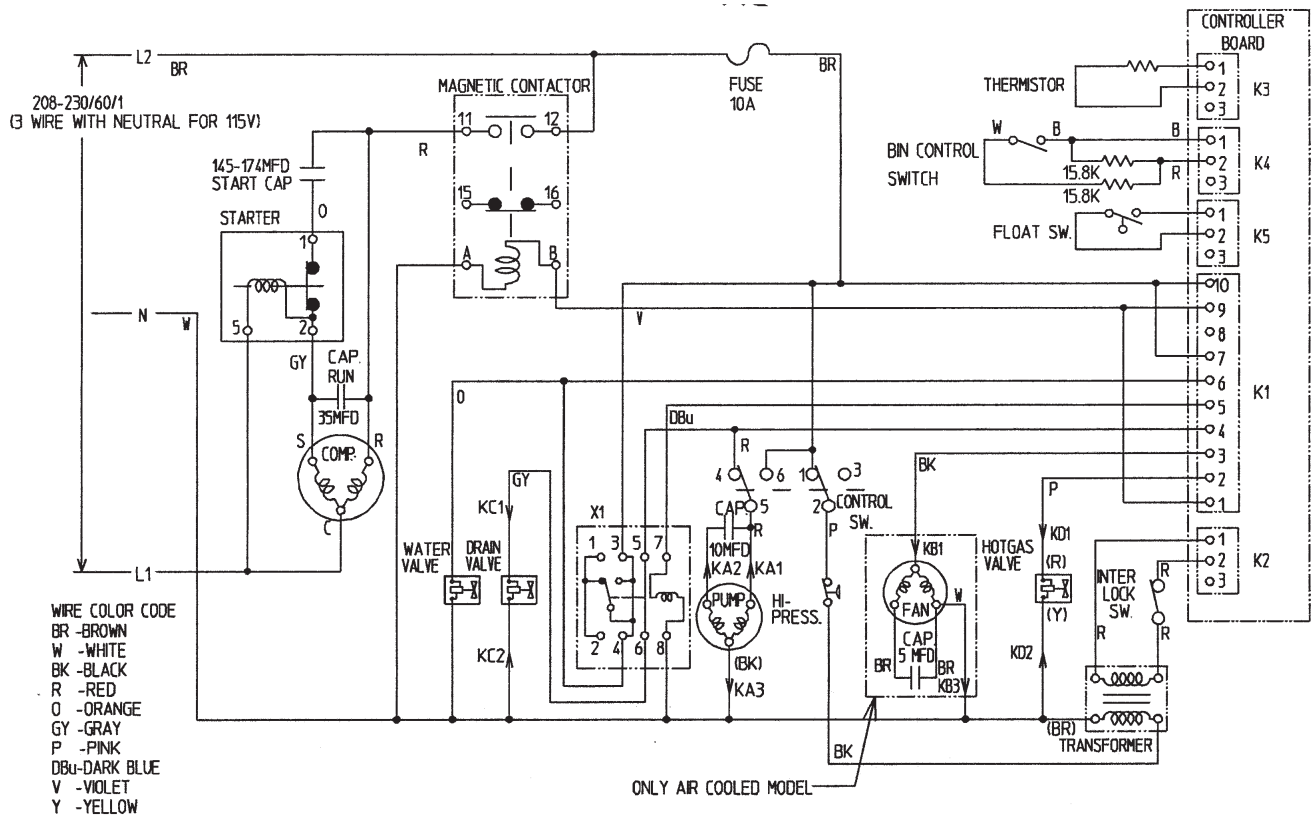


Note: Pressure Switch

Cut-out $412 \pm \begin{matrix} 21 \\ 0 \end{matrix}$ PSIG

Cut-in 327 ± 21 PSIG

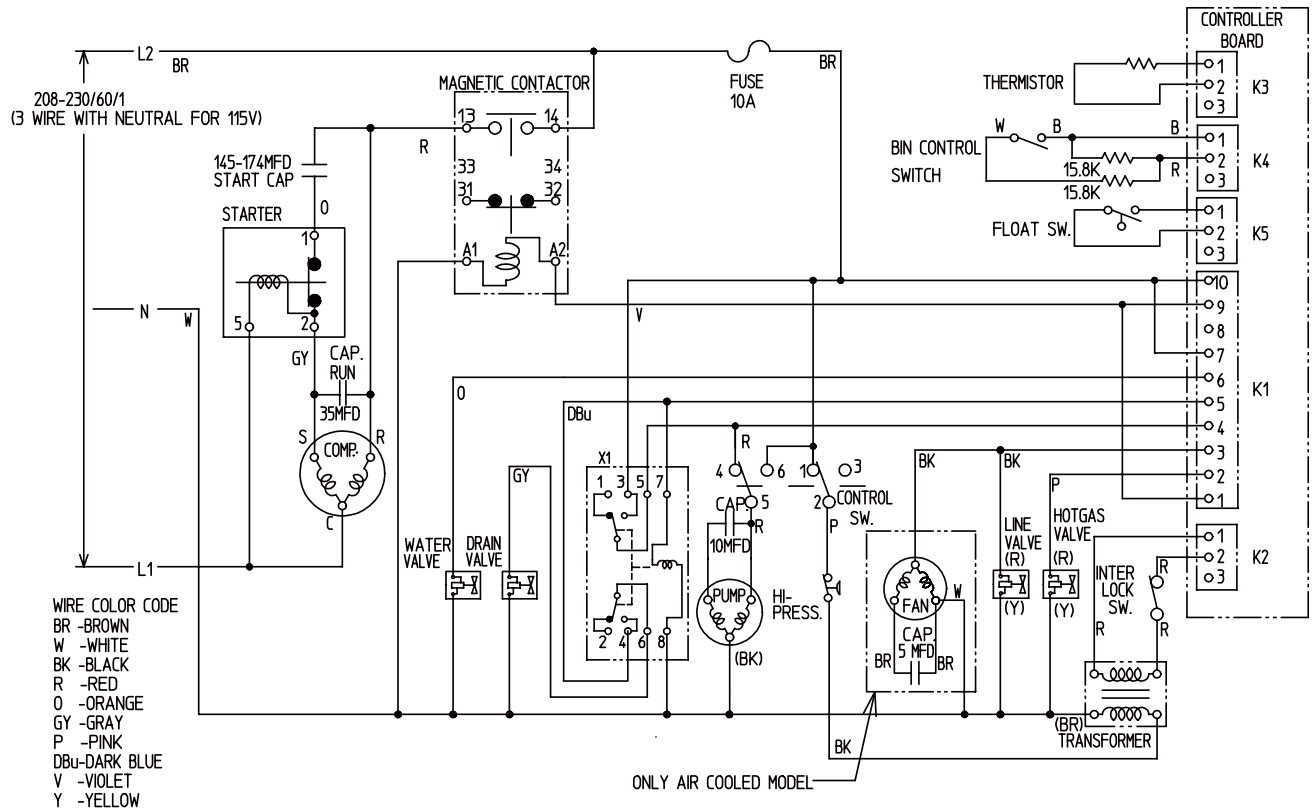
[c1] KMD-900MAH and KMD-900MWH (auxiliary code R-0 and earlier)



Note: Pressure Switch

| | MAH | MWH |
|---------|---------------------------|---------------------------|
| Cut-out | 412 ± $\frac{21}{0}$ PSIG | 384 ± $\frac{21}{0}$ PSIG |
| Cut-in | 327 ± 21 PSIG | 284 ± 21 PSIG |

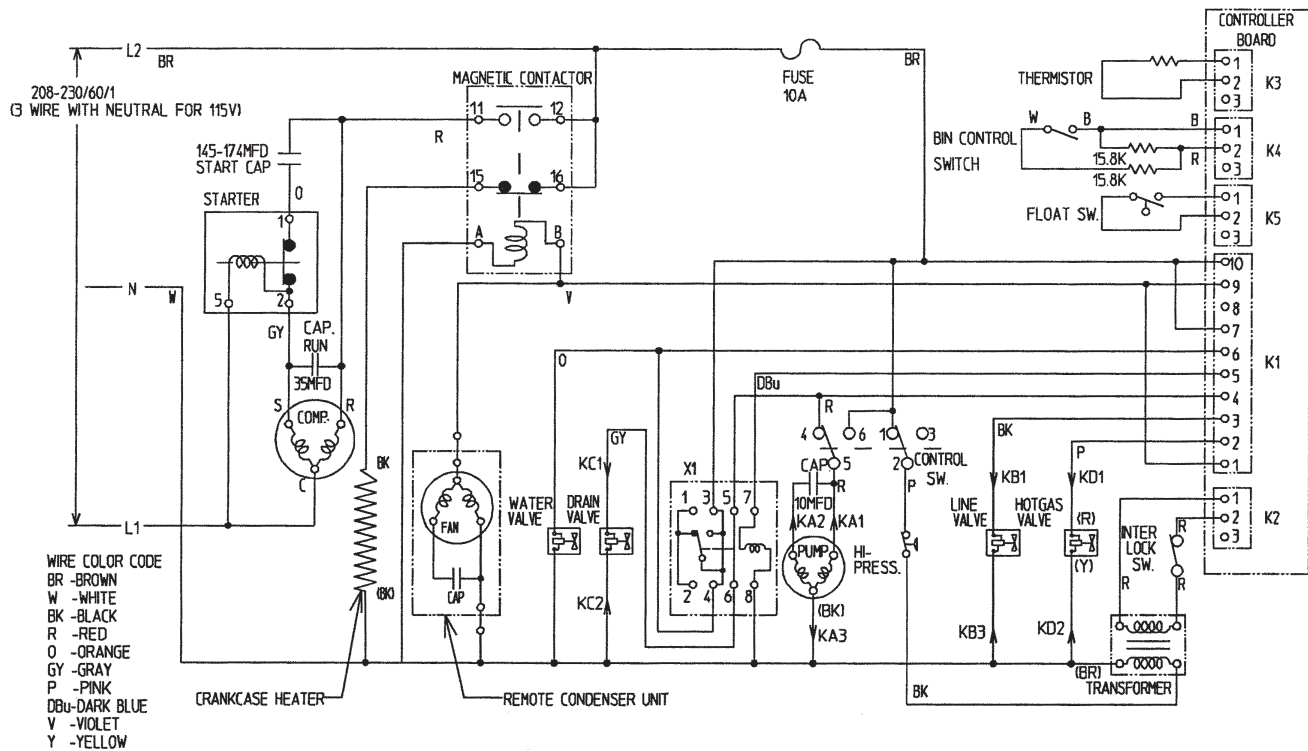
[c2] KMD-900MAH and KMD-900MWH (auxiliary code R-1 and later)



Note: Pressure Switch

| | MAH | MWH |
|---------|--|--|
| Cut-out | $412 \pm \begin{matrix} 21 \\ 0 \end{matrix}$ PSIG | $384 \pm \begin{matrix} 21 \\ 0 \end{matrix}$ PSIG |
| Cut-in | 327 ± 21 PSIG | 284 ± 21 PSIG |

[d1] KMD-900MRH (auxiliary code R-0 and earlier)

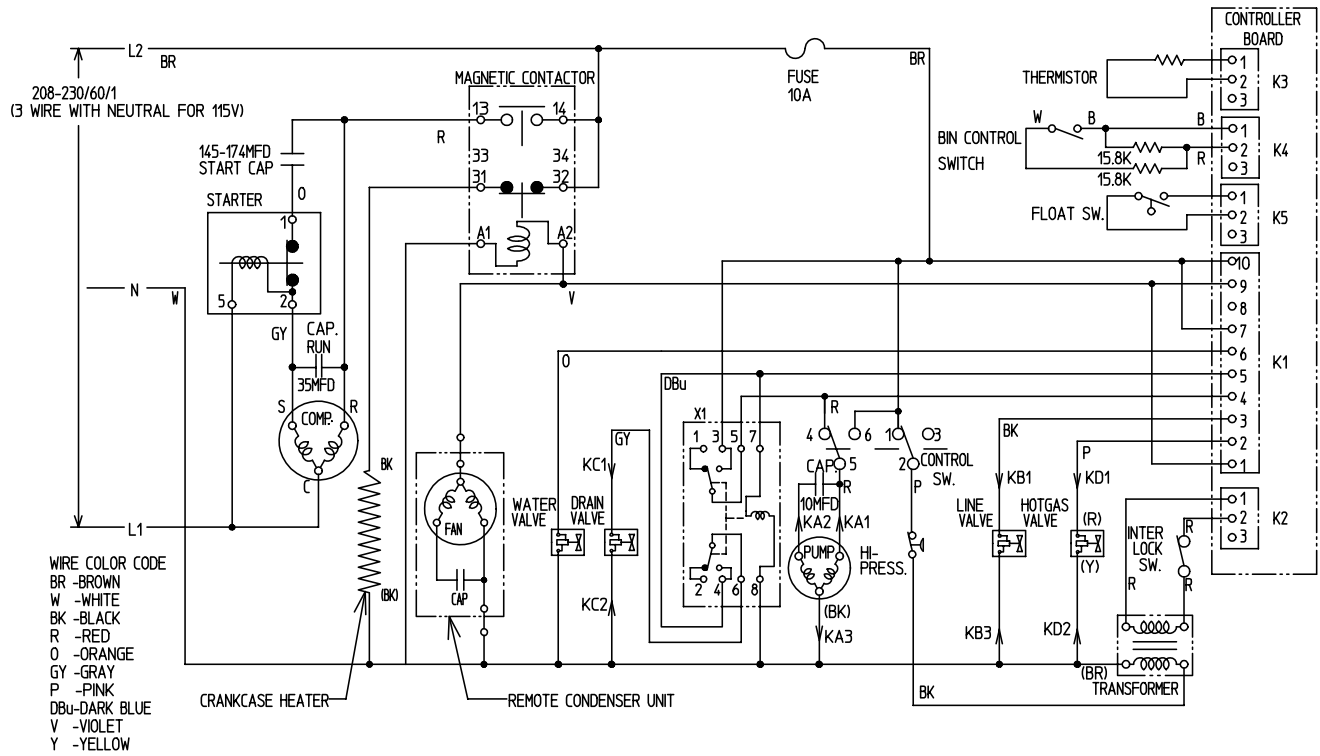


Note: Pressure Switch

Cut-out $412 \pm \begin{matrix} 21 \\ 0 \end{matrix}$ PSIG

Cut-in 327 ± 21 PSIG

[d2] KMD-900MRH (auxiliary code R-1 and later)



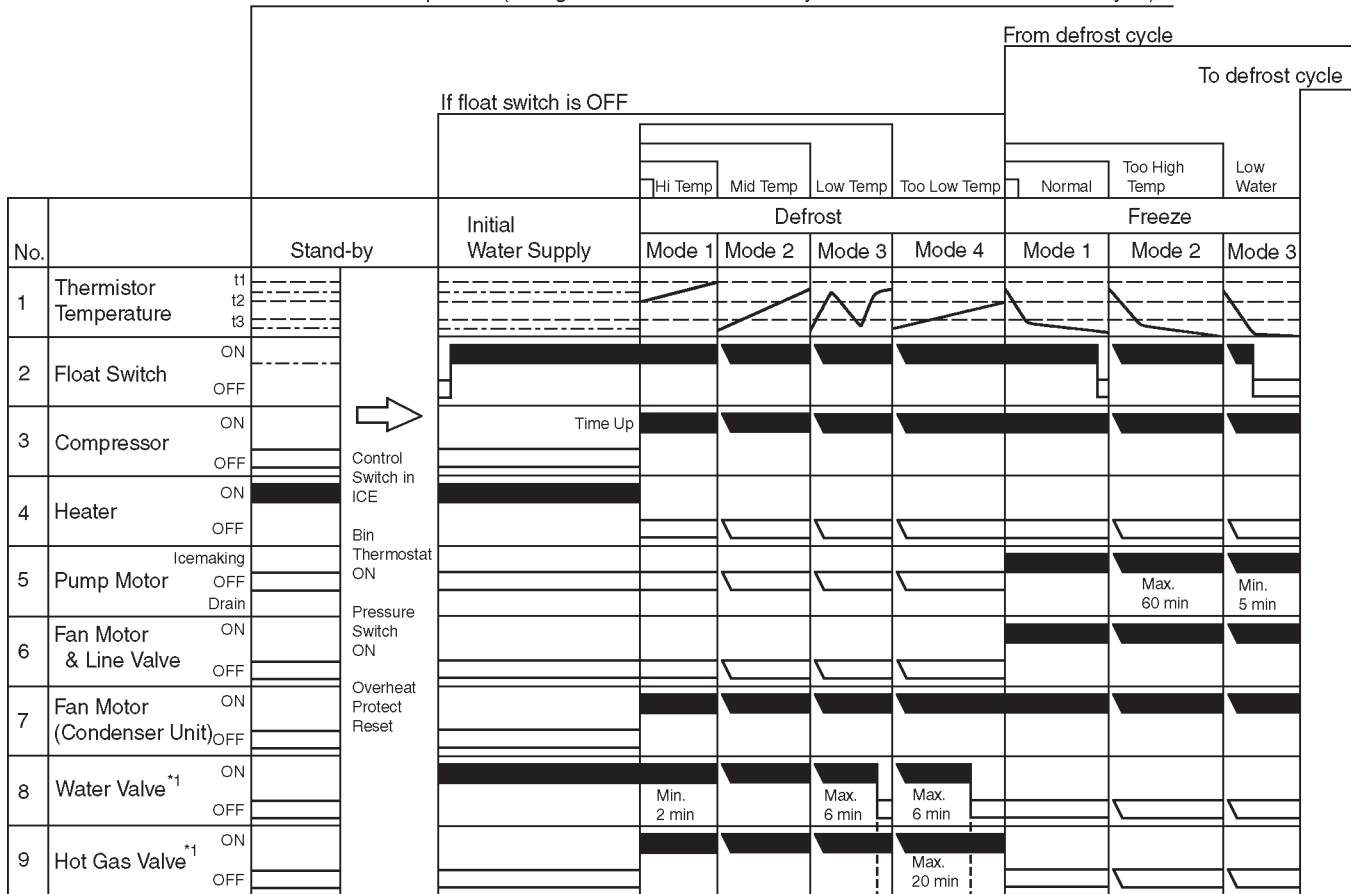
Note: Pressure Switch

Cut-out $412 \pm \begin{matrix} 21 \\ 0 \end{matrix}$ PSIG

Cut-in 327 ± 21 PSIG

3. Timing Chart

When control switch is turned OFF, pressure switch is OFF, thermistor temperature exceeds t1, or bin control is in full position (during first 5 minutes of freeze cycle for mechanical bin control only *2).



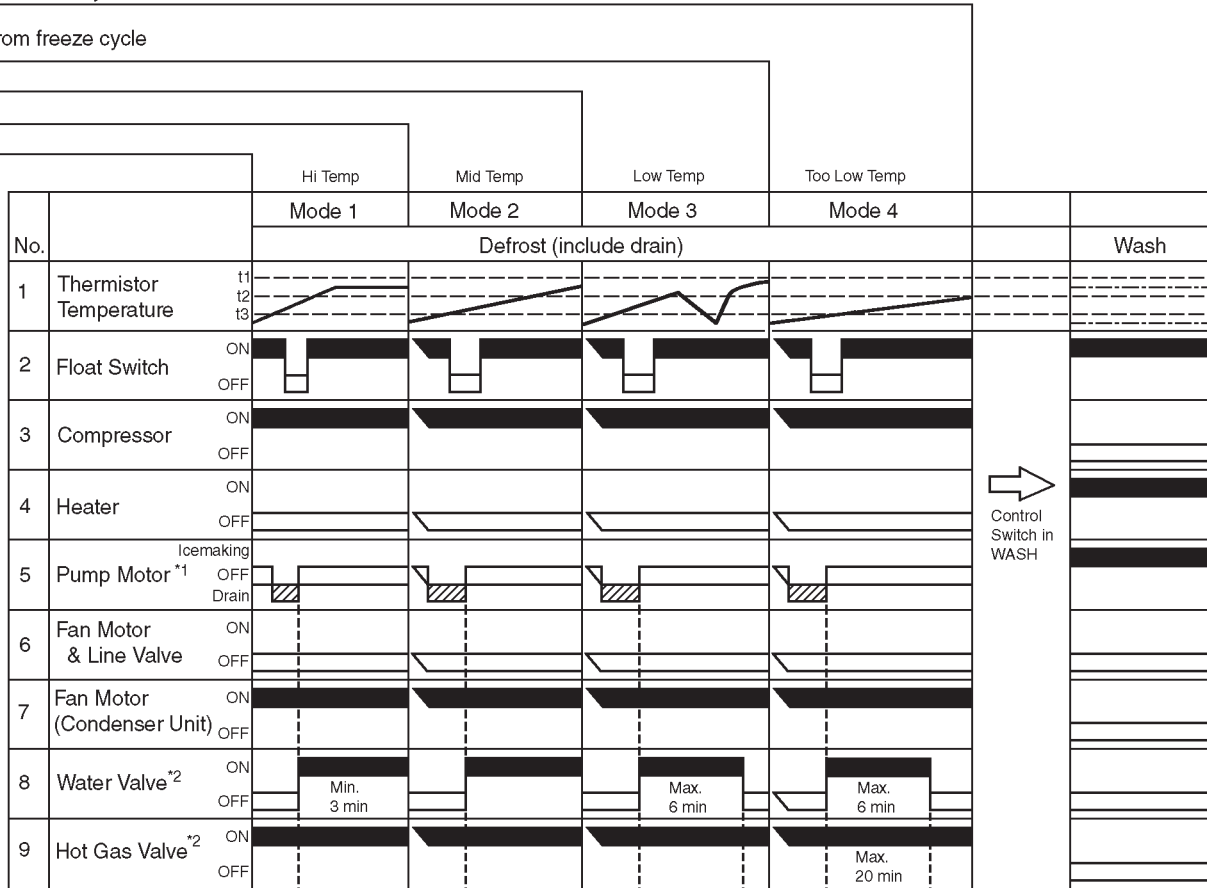
Note:

- *1 The icemaker does not complete a defrost cycle in the first 2 or 3 minutes. See "II. 2. [d] Controls and Adjustments."
- *2 The bin control will only shut off the ice machine during the first 5 minutes of the freeze cycle

To stand-by cycle (When control switch is turned OFF, pressure switch is OFF, thermistor temperature exceeds t1, or bin control is in full position (during first 5 minutes of freeze cycle for mechanical bin control only *3))

To freeze cycle

From freeze cycle



Note:

- *1 The pump motor waits for 2 seconds before starting a drain cycle. See “II. 2. [d] Controls and Adjustments.”
- *2 The icemaker does not complete a defrost cycle in the first 2 or 3 minutes. See “II. 2. [d] Controls and Adjustments.”
- *3 The bin control will only shut off the ice machine during the first 5 minutes of the freeze cycle

4. Performance Data [a] KMD-700MAH

| APPROXIMATE ICE PRODUCTION PER 24 HR. | AMBIENT TEMP. (°F/°C) | WATER TEMP. (°F/°C) | | | | | |
|---|-----------------------|--|-------------|-------------|-------------|-------|-------------|
| | | 50/10 | | 70/21 | | 90/32 | |
| lbs./day <u>kg./day</u> | 70/21 | 696 | <u>316</u> | 650 | <u>295</u> | 593 | <u>269</u> |
| | 80/27 | 661 | <u>300</u> | 589 | <u>267</u> | 536 | <u>243</u> |
| | 90/32 | 650 | <u>295</u> | 539 | <u>244</u> | 483 | <u>219</u> |
| | 100/38 | 641 | <u>291</u> | 526 | <u>239</u> | 432 | <u>196</u> |
| APPROXIMATE ELECTRIC CONSUMPTION watts | 70/21 | 1540 | | 1555 | | 1606 | |
| | 80/27 | 1551 | | 1574 | | 1643 | |
| | 90/32 | 1555 | | 1590 | | 1653 | |
| | 100/38 | 1575 | | 1605 | | 1710 | |
| APPROXIMATE WATER CONSUMPTION PER 24 HR. gal./day <u>m³/day</u> | 70/21 | 406 | <u>1.54</u> | 347 | <u>1.31</u> | 310 | <u>1.18</u> |
| | 80/27 | 361 | <u>1.37</u> | 268 | <u>1.01</u> | 257 | <u>0.97</u> |
| | 90/32 | 347 | <u>1.31</u> | 202 | <u>0.76</u> | 180 | <u>0.68</u> |
| | 100/38 | 276 | <u>1.04</u> | 197 | <u>0.74</u> | 159 | <u>0.60</u> |
| FREEZING CYCLE TIME min. | 70/21 | 17 | | 19 | | 21 | |
| | 80/27 | 18 | | 21 | | 24 | |
| | 90/32 | 19 | | 23 | | 26 | |
| | 100/38 | 19 | | 24 | | 28 | |
| HARVEST CYCLE TIME min. | 70/21 | 3.3 | | 2.9 | | 2.0 | |
| | 80/27 | 3.0 | | 2.4 | | 2.0 | |
| | 90/32 | 2.9 | | 2.0 | | 2.0 | |
| | 100/38 | 2.5 | | 2.0 | | 2.0 | |
| HEAD PRESSURE PSIG <u>kg/cm²G</u> | 70/21 | 250 | <u>17.6</u> | 273 | <u>19.2</u> | 293 | <u>20.6</u> |
| | 80/27 | 268 | <u>18.8</u> | 304 | <u>21.4</u> | 316 | <u>22.3</u> |
| | 90/32 | 273 | <u>19.2</u> | 330 | <u>23.2</u> | 346 | <u>24.3</u> |
| | 100/38 | 273 | <u>19.2</u> | 334 | <u>23.5</u> | 360 | <u>25.3</u> |
| SUCTION PRESSURE PSIG <u>kg/cm²G</u> | 70/21 | 45 | <u>3.2</u> | 48 | <u>3.4</u> | 51 | <u>3.6</u> |
| | 80/27 | 47 | <u>3.3</u> | 52 | <u>3.7</u> | 54 | <u>3.8</u> |
| | 90/32 | 48 | <u>3.4</u> | 56 | <u>3.9</u> | 58 | <u>4.1</u> |
| | 100/38 | 48 | <u>3.4</u> | 56 | <u>4.0</u> | 60 | <u>4.2</u> |
| TOTAL HEAT OF REJECTION FROM CONDENSER | | 14,590 BTU/h [AT 90°F (32°C) / WT 70°F (21°C)] | | | | | |

Note: Pressure data is recorded at 5 minutes into freeze cycle. The data not in **bold** should be used for reference only.
We reserve the right to make changes in specifications and design without prior notice.

[b] KMD-700MWH

| APPROXIMATE ICE PRODUCTION PER 24 HR. | AMBIENT TEMP. (°F/°C) | WATER TEMP. (°F/°C) | | | | | |
|--|-----------------------|--|-------------|-------------|-------------|-------|-------------|
| | | 50/10 | | 70/21 | | 90/32 | |
| | 70/21 | 701 | <u>318</u> | 675 | <u>306</u> | 634 | <u>288</u> |
| | 80/27 | 681 | <u>309</u> | 640 | <u>290</u> | 597 | <u>271</u> |
| | 90/32 | 675 | <u>306</u> | 611 | <u>277</u> | 569 | <u>258</u> |
| lbs./day <u>kg./day</u> | 100/38 | 665 | <u>302</u> | 601 | <u>273</u> | 530 | <u>240</u> |
| APPROXIMATE ELECTRIC CONSUMPTION | 70/21 | 1500 | | 1506 | | 1543 | |
| | 80/27 | 1504 | | 1514 | | 1566 | |
| | 90/32 | 1506 | | 1520 | | 1567 | |
| watts | 100/38 | 1523 | | 1531 | | 1610 | |
| APPROXIMATE WATER CONSUMPTION PER 24 HR. | 70/21 | 676 | <u>2.56</u> | 715 | <u>2.71</u> | 915 | <u>3.46</u> |
| | 80/27 | 706 | <u>2.67</u> | 767 | <u>2.90</u> | 1048 | <u>3.97</u> |
| | 90/32 | 715 | <u>2.71</u> | 810 | <u>3.07</u> | 1061 | <u>4.02</u> |
| gal./day <u>m³/day</u> | 100/38 | 836 | <u>3.17</u> | 869 | <u>3.29</u> | 1291 | <u>4.89</u> |
| FREEZING CYCLE TIME | 70/21 | 19 | | 20 | | 21 | |
| | 80/27 | 19 | | 20 | | 22 | |
| | 90/32 | 20 | | 21 | | 23 | |
| min. | 100/38 | 20 | | 21 | | 24 | |
| HARVEST CYCLE TIME | 70/21 | 2.2 | | 2.1 | | 2.0 | |
| | 80/27 | 2.2 | | 2.1 | | 2.0 | |
| | 90/32 | 2.1 | | 2.0 | | 2.0 | |
| min. | 100/38 | 2.1 | | 2.0 | | 2.0 | |
| HEAD PRESSURE | 70/21 | 275 | <u>19.3</u> | 276 | <u>19.4</u> | 284 | <u>20.0</u> |
| | 80/27 | 276 | <u>19.4</u> | 277 | <u>19.5</u> | 289 | <u>20.3</u> |
| | 90/32 | 276 | <u>19.4</u> | 278 | <u>19.5</u> | 288 | <u>20.3</u> |
| PSIG <u>kg/cm²G</u> | 100/38 | 280 | <u>19.7</u> | 280 | <u>19.7</u> | 298 | <u>21.0</u> |
| SUCTION PRESSURE | 70/21 | 40 | <u>2.8</u> | 42 | <u>2.9</u> | 49 | <u>3.4</u> |
| | 80/27 | 41 | <u>2.9</u> | 44 | <u>3.1</u> | 53 | <u>3.7</u> |
| | 90/32 | 42 | <u>2.9</u> | 46 | <u>3.2</u> | 54 | <u>3.8</u> |
| PSIG <u>kg/cm²G</u> | 100/38 | 45 | <u>3.1</u> | 48 | <u>3.4</u> | 62 | <u>4.4</u> |
| TOTAL HEAT OF REJECTION FROM CONDENSER | | 12,200 BTU/h [AT 90°F (32°C) / WT 70°F (21°C)] | | | | | |
| TOTAL HEAT OF REJECTION FROM COMPRESSOR | | 2,020 BTU/h [AT 90°F (32°C) / WT 70°F (21°C)] | | | | | |
| WATER FLOW FOR CONDENSER | | 46 GAL./HR [AT 100°F (38°C) / WT 90°F (32°C)] | | | | | |
| PRESSURE DROP OF COOLING WATER LINE | | LESS THAN 10 PSIG | | | | | |

Note: Pressure data is recorded at 5 minutes into freeze cycle. The data not in **bold** should be used for reference only.

We reserve the right to make changes in specifications and design without prior notice.

[c] KMD-700MRH

| APPROXIMATE ICE PRODUCTION PER 24 HR. | AMBIENT TEMP. (°F/°C) | WATER TEMP. (°F/°C) | | | | | |
|--|-----------------------|--|-------------|-------------|-------------|-------|-------------|
| | | 50/10 | | 70/21 | | 90/32 | |
| | 70/21 | 730 | <u>331</u> | 715 | <u>324</u> | 655 | <u>297</u> |
| | 80/27 | 719 | <u>326</u> | 696 | <u>316</u> | 614 | <u>278</u> |
| | 90/32 | 715 | <u>324</u> | 679 | <u>308</u> | 605 | <u>275</u> |
| lbs./day <u>kg./day</u> | 100/38 | 690 | <u>313</u> | 662 | <u>300</u> | 538 | <u>244</u> |
| APPROXIMATE ELECTRIC CONSUMPTION | 70/21 | 1750 | | 1762 | | 1777 | |
| | 80/27 | 1759 | | 1777 | | 1792 | |
| | 90/32 | 1762 | | 1790 | | 1806 | |
| watts | 100/38 | 1765 | | 1794 | | 1820 | |
| APPROXIMATE WATER CONSUMPTION PER 24 HR. | 70/21 | 385 | <u>1.46</u> | 336 | <u>1.27</u> | 303 | <u>1.15</u> |
| | 80/27 | 348 | <u>1.32</u> | 272 | <u>1.03</u> | 257 | <u>0.97</u> |
| | 90/32 | 336 | <u>1.27</u> | 218 | <u>0.82</u> | 195 | <u>0.74</u> |
| gal./day <u>m³/day</u> | 100/38 | 277 | <u>1.05</u> | 212 | <u>0.80</u> | 174 | <u>0.66</u> |
| FREEZING CYCLE TIME | 70/21 | 17 | | 18 | | 20 | |
| | 80/27 | 18 | | 19 | | 21 | |
| | 90/32 | 18 | | 20 | | 22 | |
| min. | 100/38 | 18 | | 20 | | 24 | |
| HARVEST CYCLE TIME | 70/21 | 3.3 | | 2.9 | | 2.0 | |
| | 80/27 | 3.0 | | 2.4 | | 2.0 | |
| | 90/32 | 2.9 | | 2.0 | | 2.0 | |
| min. | 100/38 | 2.5 | | 2.0 | | 2.0 | |
| HEAD PRESSURE | 70/21 | 215 | <u>15.1</u> | 222 | <u>15.6</u> | 236 | <u>16.6</u> |
| | 80/27 | 221 | <u>15.5</u> | 232 | <u>16.3</u> | 248 | <u>17.5</u> |
| | 90/32 | 222 | <u>15.6</u> | 240 | <u>16.9</u> | 256 | <u>18.0</u> |
| PSIG <u>kg/cm²G</u> | 100/38 | 226 | <u>15.9</u> | 244 | <u>17.1</u> | 270 | <u>19.0</u> |
| SUCTION PRESSURE | 70/21 | 35 | <u>2.5</u> | 36 | <u>2.6</u> | 39 | <u>2.7</u> |
| | 80/27 | 36 | <u>2.5</u> | 38 | <u>2.7</u> | 41 | <u>2.9</u> |
| | 90/32 | 36 | <u>2.6</u> | 40 | <u>2.8</u> | 43 | <u>3.0</u> |
| PSIG <u>kg/cm²G</u> | 100/38 | 37 | <u>2.6</u> | 41 | <u>2.9</u> | 45 | <u>3.2</u> |
| TOTAL HEAT OF REJECTION FROM CONDENSER | | 12,100 BTU/h [AT 90°F (32°C) / WT 70°F (21°C)] | | | | | |
| TOTAL HEAT OF REJECTION FROM COMPRESSOR | | 1,900 BTU/h [AT 90°F (32°C) / WT 70°F (21°C)] | | | | | |
| CONDENSER VOLUME | | 132 CU. IN (URC-12F) | | | | | |

Note: Pressure data is recorded at 5 minutes into freeze cycle. The data not in **bold** should be used for reference only.
 We reserve the right to make changes in specifications and design without prior notice.

[d] KMD-900MAH

| APPROXIMATE ICE PRODUCTION PER 24 HR. | AMBIENT TEMP. (°F/°C) | WATER TEMP. (°F/°C) | | | | | |
|--|-----------------------|--|-------------|-------------|-------------|-------|-------------|
| | | 50/10 | | 70/21 | | 90/32 | |
| lbs./day <u>kg./day</u> | 70/21 | 875 | <u>397</u> | 842 | <u>382</u> | 767 | <u>348</u> |
| | 80/27 | 850 | <u>386</u> | 799 | <u>362</u> | 706 | <u>320</u> |
| | 90/32 | 842 | <u>382</u> | 763 | <u>346</u> | 676 | <u>307</u> |
| | 100/38 | 817 | <u>370</u> | 743 | <u>337</u> | 596 | <u>270</u> |
| APPROXIMATE ELECTRIC CONSUMPTION | 70/21 | 1930 | | 1951 | | 2039 | |
| | 80/27 | 1946 | | 1978 | | 2099 | |
| | 90/32 | 1951 | | 2000 | | 2109 | |
| | 100/38 | 1988 | | 2026 | | 2210 | |
| APPROXIMATE WATER CONSUMPTION PER 24 HR. | 70/21 | 507 | <u>1.92</u> | 436 | <u>1.65</u> | 390 | <u>1.48</u> |
| | 80/27 | 453 | <u>1.71</u> | 342 | <u>1.30</u> | 325 | <u>1.23</u> |
| | 90/32 | 436 | <u>1.65</u> | 265 | <u>1.00</u> | 235 | <u>0.89</u> |
| | 100/38 | 351 | <u>1.33</u> | 258 | <u>0.98</u> | 207 | <u>0.78</u> |
| FREEZING CYCLE TIME | 70/21 | 13 | | 14 | | 15 | |
| | 80/27 | 13 | | 15 | | 17 | |
| | 90/32 | 14 | | 17 | | 18 | |
| | 100/38 | 14 | | 17 | | 20 | |
| HARVEST CYCLE TIME | 70/21 | 3.5 | | 3.1 | | 2.0 | |
| | 80/27 | 3.2 | | 2.5 | | 2.0 | |
| | 90/32 | 3.1 | | 2.0 | | 2.0 | |
| | 100/38 | 2.6 | | 2.0 | | 2.0 | |
| HEAD PRESSURE | 70/21 | 210 | <u>14.8</u> | 233 | <u>16.4</u> | 268 | <u>18.9</u> |
| | 80/27 | 228 | <u>16.0</u> | 264 | <u>18.6</u> | 301 | <u>21.1</u> |
| | 90/32 | 233 | <u>16.4</u> | 290 | <u>20.4</u> | 326 | <u>23.0</u> |
| | 100/38 | 241 | <u>17.0</u> | 299 | <u>21.0</u> | 360 | <u>25.3</u> |
| SUCTION PRESSURE | 70/21 | 27 | <u>1.9</u> | 32 | <u>2.3</u> | 39 | <u>2.7</u> |
| | 80/27 | 31 | <u>2.2</u> | 39 | <u>2.8</u> | 46 | <u>3.2</u> |
| | 90/32 | 32 | <u>2.3</u> | 45 | <u>3.2</u> | 52 | <u>3.6</u> |
| | 100/38 | 33 | <u>2.4</u> | 47 | <u>3.3</u> | 58 | <u>4.1</u> |
| TOTAL HEAT OF REJECTION FROM CONDENSER | | 18,865 BTU/h [AT 90°F (32°C) / WT 70°F (21°C)] | | | | | |

Note: Pressure data is recorded at 5 minutes into freeze cycle. The data not in **bold** should be used for reference only.
 We reserve the right to make changes in specifications and design without prior notice.

[e] KMD-900MWH

| APPROXIMATE ICE PRODUCTION PER 24 HR. | AMBIENT TEMP. (°F/°C) | WATER TEMP. (°F/°C) | | | | | |
|--|-----------------------|--|-------------|-------------|-------------|-------|-------------|
| | | 50/10 | | 70/21 | | 90/32 | |
| | 70/21 | 886 | <u>402</u> | 859 | <u>390</u> | 816 | <u>370</u> |
| | 80/27 | 865 | <u>392</u> | 823 | <u>373</u> | 777 | <u>352</u> |
| | 90/32 | 859 | <u>390</u> | 793 | <u>360</u> | 747 | <u>339</u> |
| lbs./day <u>kg./day</u> | 100/38 | 848 | <u>385</u> | 782 | <u>355</u> | 705 | <u>320</u> |
| APPROXIMATE ELECTRIC CONSUMPTION | 70/21 | 1950 | | 1950 | | 1977 | |
| | 80/27 | 1950 | | 1950 | | 1992 | |
| | 90/32 | 1950 | | 1950 | | 1986 | |
| watts | 100/38 | 1965 | | 1959 | | 2020 | |
| APPROXIMATE WATER CONSUMPTION PER 24 HR. | 70/21 | 978 | <u>3.70</u> | 1023 | <u>3.87</u> | 1260 | <u>4.77</u> |
| | 80/27 | 1013 | <u>3.83</u> | 1083 | <u>4.10</u> | 1417 | <u>5.36</u> |
| | 90/32 | 1023 | <u>3.87</u> | 1132 | <u>4.28</u> | 1430 | <u>5.41</u> |
| gal./day <u>m³/day</u> | 100/38 | 1166 | <u>4.41</u> | 1202 | <u>4.55</u> | 1704 | <u>6.45</u> |
| FREEZING CYCLE TIME | 70/21 | 14 | | 15 | | 16 | |
| | 80/27 | 14 | | 15 | | 16 | |
| | 90/32 | 15 | | 16 | | 17 | |
| min. | 100/38 | 15 | | 16 | | 18 | |
| HARVEST CYCLE TIME | 70/21 | 3.2 | | 3.0 | | 2.5 | |
| | 80/27 | 3.0 | | 2.7 | | 2.4 | |
| | 90/32 | 3.0 | | 2.4 | | 2.3 | |
| min. | 100/38 | 2.7 | | 2.4 | | 2.2 | |
| HEAD PRESSURE | 70/21 | 275 | <u>19.3</u> | 276 | <u>19.4</u> | 285 | <u>20.0</u> |
| | 80/27 | 276 | <u>19.4</u> | 277 | <u>19.5</u> | 290 | <u>20.4</u> |
| | 90/32 | 276 | <u>19.4</u> | 278 | <u>19.5</u> | 289 | <u>20.4</u> |
| PSIG <u>kg/cm²G</u> | 100/38 | 280 | <u>19.7</u> | 281 | <u>19.7</u> | 300 | <u>21.1</u> |
| SUCTION PRESSURE | 70/21 | 32 | <u>2.2</u> | 33 | <u>2.3</u> | 39 | <u>2.7</u> |
| | 80/27 | 33 | <u>2.3</u> | 34 | <u>2.4</u> | 43 | <u>3.0</u> |
| | 90/32 | 33 | <u>2.3</u> | 35 | <u>2.5</u> | 43 | <u>3.0</u> |
| PSIG <u>kg/cm²G</u> | 100/38 | 36 | <u>2.5</u> | 37 | <u>2.6</u> | 50 | <u>3.5</u> |
| TOTAL HEAT OF REJECTION FROM CONDENSER | | 13,480 BTU/h [AT 90°F (32°C) / WT 70°F (21°C)] | | | | | |
| TOTAL HEAT OF REJECTION FROM COMPRESSOR | | 2,440 BTU/h [AT 90°F (32°C) / WT 70°F (21°C)] | | | | | |
| WATER FLOW FOR CONDENSER | | 61 GAL./HR [AT 100°F (38°C) / WT 90°F (32°C)] | | | | | |
| PRESSURE DROP OF COOLING WATER LINE | | LESS THAN 10 PSIG | | | | | |

Note: Pressure data is recorded at 5 minutes into freeze cycle. The data not in **bold** should be used for reference only.
 We reserve the right to make changes in specifications and design without prior notice.

[f] KMD-900MRH

| APPROXIMATE ICE PRODUCTION PER 24 HR. | AMBIENT TEMP. (°F/°C) | WATER TEMP. (°F/°C) | | | | | |
|--|-----------------------|--|-------------|-------------|-------------|-------|-------------|
| | | 50/10 | | 70/21 | | 90/32 | |
| lbs./day <u>kg./day</u> | 70/21 | 906 | <u>411</u> | 878 | <u>398</u> | 814 | <u>369</u> |
| | 80/27 | 885 | <u>401</u> | 842 | <u>382</u> | 763 | <u>346</u> |
| | 90/32 | 878 | <u>398</u> | 812 | <u>368</u> | 737 | <u>335</u> |
| | 100/38 | 857 | <u>389</u> | 795 | <u>360</u> | 669 | <u>303</u> |
| APPROXIMATE ELECTRIC CONSUMPTION | 70/21 | 2075 | | 2117 | | 2162 | |
| | 80/27 | 2107 | | 2173 | | 2211 | |
| | 90/32 | 2117 | | 2220 | | 2262 | |
| | 100/38 | 2122 | | 2230 | | 2300 | |
| APPROXIMATE WATER CONSUMPTION PER 24 HR. | 70/21 | 465 | <u>1.76</u> | 407 | <u>1.54</u> | 372 | <u>1.41</u> |
| | 80/27 | 421 | <u>1.59</u> | 330 | <u>1.25</u> | 321 | <u>1.21</u> |
| | 90/32 | 407 | <u>1.54</u> | 266 | <u>1.01</u> | 245 | <u>0.93</u> |
| | 100/38 | 338 | <u>1.28</u> | 261 | <u>0.99</u> | 226 | <u>0.86</u> |
| FREEZING CYCLE TIME | 70/21 | 13 | | 13 | | 14 | |
| | 80/27 | 13 | | 14 | | 15 | |
| | 90/32 | 13 | | 15 | | 16 | |
| | 100/38 | 14 | | 15 | | 17 | |
| HARVEST CYCLE TIME | 70/21 | 2.7 | | 2.5 | | 2.0 | |
| | 80/27 | 2.6 | | 2.2 | | 2.0 | |
| | 90/32 | 2.5 | | 2.0 | | 2.0 | |
| | 100/38 | 2.3 | | 2.0 | | 2.0 | |
| HEAD PRESSURE | 70/21 | 210 | <u>14.8</u> | 222 | <u>15.6</u> | 240 | <u>16.9</u> |
| | 80/27 | 219 | <u>15.4</u> | 237 | <u>16.7</u> | 257 | <u>18.1</u> |
| | 90/32 | 222 | <u>15.6</u> | 250 | <u>17.6</u> | 270 | <u>19.0</u> |
| | 100/38 | 226 | <u>15.9</u> | 255 | <u>17.9</u> | 288 | <u>20.2</u> |
| SUCTION PRESSURE | 70/21 | 26 | <u>1.8</u> | 28 | <u>2.0</u> | 34 | <u>2.4</u> |
| | 80/27 | 28 | <u>2.0</u> | 31 | <u>2.2</u> | 38 | <u>2.7</u> |
| | 90/32 | 28 | <u>2.0</u> | 34 | <u>2.4</u> | 40 | <u>2.8</u> |
| | 100/38 | 30 | <u>2.1</u> | 35 | <u>2.5</u> | 46 | <u>3.2</u> |
| TOTAL HEAT OF REJECTION FROM CONDENSER | | 12,100 BTU/h [AT 90°F (32°C) / WT 70°F (21°C)] | | | | | |
| TOTAL HEAT OF REJECTION FROM COMPRESSOR | | 2,000 BTU/h [AT 90°F (32°C) / WT 70°F (21°C)] | | | | | |
| CONDENSER VOLUME | | 132 CU. IN (URC-12F) | | | | | |

Note: Pressure data is recorded at 5 minutes into freeze cycle. The data not in **bold** should be used for reference only.
 We reserve the right to make changes in specifications and design without prior notice.

IV. Service Diagnosis

1. No Ice Production

| Problem | Possible Cause | Remedy | |
|---|--|--|---|
| [1] The icemaker will not start. | a) Power Supply | 1. OFF position. | 1. Move to ON position. |
| | | 2. Loose connection. | 2. Tighten. |
| | | 3. Bad contacts. | 3. Check for continuity and replace. |
| | | 4. Voltage too high. | 4. Check and get recommended voltage. |
| | b) Fuse (Inside fused disconnect, if any) | 1. Blown. | 1. Check for short circuit and replace. |
| | c) Control Switch | 1. OFF position. | 1. Move to ICE position. |
| | | 2. Bad contacts. | 2. Check for continuity and replace. |
| | d) Bin Control | | 1. See "II.3.[c] Troubleshooting." |
| | e) High Pressure Control | 1. Bad contacts. | 1. Check for continuity and replace. |
| | f) Transformer | 1. Thermal fuse blown or coil winding opened. | 1. Replace. |
| | g) Wiring to Controller Board | 1. Loose connections or open. | 1. Check for continuity and replace. |
| | h) Thermistor | 1. Leads short-circuit or open and high temperature safety operates. | 1. See "II.2.[d] Controls and Adjustments, 1) Defrost Control." |
| | i) Hot Gas Solenoid Valve | 1. Continues to open in freeze cycle and high temperature safety operates. | 1. Check for power off in freeze cycle and replace. |
| | j) Water Supply Line | 1. Water supply off and water supply cycle does not finish. | 1. Check and get recommended pressure. |
| 2. Condenser water pressure too low or off and pressure control opens and closes frequently to finally operate high temperature safety. | | 2. Check and get recommended pressure. | |
| k) Water Solenoid | 1. Mesh filter or orifice gets clogged and water supply cycle does not finish. | 1. Clean. | |
| | 2. Coil winding opened. | 2. Replace. | |
| | 3. Wiring to water valve. | 3. Check for loose connection or open, and replace. | |

| Problem | Possible Cause | | Remedy |
|--|--------------------------------------|---|--|
| [1] Continued from previous page. | l) Controller Board | 1. Defective. | 1. See "II.2[e] Checking the Controller Board." |
| | m) Interlock Switch (Cleaning Valve) | 1. OFF Position | 1. Move to ON position. |
| | | 2. Bad contacts. | 2. Check for continuity and replace. |
| [2] Water continues to be supplied, and the icemaker will not start. | a) Float Switch | 1. Connector disconnected. | 1. Place in position. |
| | | 2. Leads opened or defective switch. | 2. Check and replace. |
| | | 3. Float does not move freely. | 3. Clean or replace. |
| | b) Controller Board | 1. Defective. | 1. Replace. |
| [3] Compressor will not start or operates intermittently. | a) Wash Switch | 1. WASH position. | 1. Move to ICE position. |
| | | 2. Bad contacts. | 2. Check and replace. |
| | b) High Pressure Control | 1. Dirty air filter or condenser. | 1. Clean. |
| | | 2. Ambient or condenser water temperature too warm. | 2. Reduce temperature. |
| | | 3. Refrigerant overcharged. | 3. Recharge. |
| | | 4. Refrigerant line or components plugged. | 4. Clean and replace drier. |
| | | 5. Fan not operating. [Except water-cooled model] | 5. See chart 1.[6] |
| | | 6. Condenser water pressure too low or off. [Water-cooled model only] | 6. Check and get recommended pressure. |
| | c) Overload Protector | 1. Bad contacts. | 1. Check for continuity and replace. |
| | | 2. Voltage too low. | 2. Increase voltage. |
| | | 3. Refrigerant overcharged or undercharged. | 3. Recharge. |
| | | 4. Line valve continues to close in freeze cycle and overload protector operates. | 4. Check line valve's operation in freeze cycle and replace. |
| | d) Starter | 1. Bad contacts. | 1. Check and replace. |
| | | 2. Coil winding opened. | 2. Replace. |
| | e) Start Capacitor or Run Capacitor | 1. Defective. | 1. Replace. |
| | f) Magnetic Contactor | 1. Bad contacts. | 1. Check for continuity and replace. |
| | | 2. Coil winding opened. | 2. Replace. |
| | g) Compressor | 1. Wiring to compressor. | 1. Check for loose connection or open, and replace. |
| | | 2. Defective. | 2. Replace. |
| | | 3. Protector tripped. | 3. Reduce temperature. |

| Problem | Possible Cause | | Remedy |
|--|--|--|---|
| [3] Continued from previous page. | h) Controller Board | 1. Defective. | 1. See "II.2[e] Checking the Controller Board." |
| | i) Water Regulator [Water-cooled model only] | 1. Set too high. | 1. Adjust lower. |
| | j) Discharge Temp. Switch | 1. Refrigerant undercharged. | 1. Recharge. |
| 2. Cooling fan not operating. | | 2. See chart 1.[6]. | |
| [4] Water continues to be supplied in freeze cycle. | a) Water Solenoid Valve | 1. Diaphragm does not close. | 1. Check for water leaks with icemaker off. |
| | b) Controller Board | 1. Defective. | 1. See "II.2[e] Checking the Controller Board." |
| [5] No water comes from spray tubes. Water pump will not start, or freeze cycle time is too short. | a) Water Supply Line | 1. Water pressure too low and water level in water tank too low. | 1. Check and get recommended pressure. |
| | b) Water Solenoid Valve | 1. Dirty mesh filter or orifice and water level in water tank too low. | 1. Clean. |
| | c) Water System | 1. Water leaks. | 1. Check connections for water leaks, and replace. |
| | | 2. Clogged. | 2. Clean. |
| | d) Pump Motor | 1. Motor winding opened. | 1. Replace. |
| | | 2. Bearing worn out. | 2. Replace. |
| | | 3. Wiring to pump motor. | 3. Check for loose connection or open, and replace. |
| | | 4. Defective capacitor. | 4. Replace. |
| | | 5. Defective or bound impeller. | 5. Replace and clean. |
| | | 6. Mechanical seal worn out. | 6. Check and replace. |
| e) Controller Board | 1. Defective. | 1. See "II.2[e] Checking the Controller Board." | |
| [6] Fan Motor will not start, or is not operating. | a) Fan Motor | 1. Motor winding opened. | 1. Replace. |
| | | 2. Bearing worn out. | 2. Replace. |
| | | 3. Wiring to fan motor. | 3. Check for loose connection or open, and replace. |
| | | 4. Defective capacitor. | 4. Replace. |
| | | 5. Fan blade bound. | 5. Check and replace. |
| | b) Controller Board | 1. Defective. | 1. See "II.2[e] Checking the Controller Board." |
| [7] All components run, but no ice is produced. | a) Refrigerant | 1. Undercharged. | 1. Check for leaks and recharge. |
| | | 2. Air or moisture trapped. | 2. Replace drier and recharge. |
| | b) Compressor | 1. Defective valve. | 1. Replace. |
| | c) Hot Gas Solenoid Valve | 1. Continues to open in freeze cycle. | 1. Check and replace. |
| | d) Line Valve | 1. Continues to close in freeze cycle. | 1. Check and replace. |

| Problem | Possible Cause | Remedy |
|-----------------------------------|--|--|
| [7] Continued from previous page. | e) Water Supply Line [Water-cooled model only] | 1. Condenser water pressure too low or off and pressure control opens and closes frequently. |

2. Evaporator is Frozen Up

| Problem | Possible Cause | Remedy |
|---|--|---|
| [1] Freeze cycle time is too long. | a) Float Switch | 1. Leads short-circuit or defective switch. |
| | | 2. Float does not move freely. |
| | b) Water Solenoid Valve | 1. Diaphragm does not close. |
| [2] All ice formed on evaporator does not fall into bin in harvest cycle. | c) Controller Board | 1. Defective. |
| | a) Evaporator | 1. Scaled up. |
| | b) Water Supply Line | 1. Water pressure too low. |
| [3] Other | c) Water Solenoid Valve | 1. Dirty mesh filter or orifice. |
| | | 2. Diaphragm does not close. |
| | d) Ambient and/or water temperature. | 1. Too cool. |
| | e) Line Valve | 1. Continues to open in harvest cycle. |
| | f) Thermistor | 1. Out of position or loose attachment. |
| | g) Controller Board | 1. Defrost timer is set too short. |
| | | 2. Defective. |
| a) Spray Tubes | 1. Clogged. | |
| | 2. Out of position. | |
| b) Water System | 1. Dirty. | |
| c) Refrigerant | 1. Undercharged. | |
| d) Expansion Valve | 1. Bulb out of position or loose attachment. | |
| | 2. Defective. | |
| e) Hot Gas Solenoid Valve | 1. Coil winding opened. | |
| | 2. Plunger does not move. | |
| | 3. Wiring to hot gas valve. | |

3. Low Ice Production

| Problem | Possible Cause | Remedy |
|---------------------------------|---|--------|
| [1] Freeze cycle time is long. | a) See chart 1.[3] and check high pressure control and water regulator. | |
| | b) See chart 2.[1] and check float switch, water solenoid valve and controller board. | |
| [2] Harvest cycle time is long. | a) See chart 2.[2] and check evaporator, water supply line, water solenoid valve, ambient and/or water temperature, line valve, thermistor, and controller board. | |

4. Abnormal Ice

| Problem | Possible Cause | Remedy | |
|--------------------------------|---|--|--|
| [1] Small cubes. | a) Ice Cube Guide | 1. Out of position. Circulated water falls into bin. | 1. Place in position. |
| | b) See chart 1.[5] and check water supply line, water solenoid valve, water system, pump motor, and controller board. | | |
| | c) Drain Valve | 1. Dirty. | 1. Clean. |
| [2] Cloudy or irregular cubes. | a) See chart 2.[1] and 2.[3], and check float switch, water solenoid valve, controller board, spray tubes, water system, refrigerant charge, and expansion valve. | | |
| | b) Spray Guide | 1. Dirty. | 1. Clean. |
| | c) Water Quality | 1. High hardness or contains impurities. | 1. Install a water softener or filter. |

5. Other

| Problem | Possible Cause | Remedy | | |
|---|--|--|------------------------|-----------------------|
| [1] Icemaker will not stop when bin is filled with ice. | a) Bin Control | 1. See "11.3.[c] Troubleshooting." | | |
| [2] Abnormal noise. | a) Pump Motor | 1. Bearings worn out. | 1. Replace. | |
| | | b) Fan Motor | 1. Bearings worn out. | 1. Replace. |
| | | | 2. Fan blade deformed. | 2. Replace fan blade. |
| | c) Compressor | 3. Fan blade does not move freely. | 3. Replace. | |
| | | 1. Bearings worn out or cylinder valve broken. | 1. Replace. | |
| | 2. Mounting pad out of position. | 2. Reinstall. | | |
| d) Refrigerant Lines | 1. Rub or touch other lines or surfaces. | 1. Replace. | | |
| | a) Bin Drain | 1. Plugged. | 1. Clean. | |
| [3] Ice in storage bin often melts. | | | | |

V. Removal and Replacement of Components

IMPORTANT

1. The Polyol Ester (POE) oils used in R-404A units can absorb moisture quickly. Therefore it is important to prevent moisture from entering the system when replacing or servicing parts.
2. Always install a new filter drier every time the sealed refrigeration system is opened.
3. Do not leave the system open for longer than 5 minutes when replacing or servicing parts.

1. Service for Refrigerant Lines

[a] Refrigerant Recovery

The icemaker unit is provided with two refrigerant access valves—one on the low-side and one on the high-side line. Using proper refrigerant practices recover the refrigerant from the access valves and store it in an approved container. Do not discharge the refrigerant into the atmosphere.

[b] Evacuation and Recharge [R-404A]

- 1) Attach charging hoses, a service manifold and a vacuum pump to the system. Be sure to connect charging hoses to both high and low-side access valves.

IMPORTANT

The vacuum level and vacuum pump may be the same as those for current refrigerants. However, the rubber hose and gauge manifold to be used for evacuation and refrigerant charge should be exclusively for POE oils.

- 2) Turn on the vacuum pump. Never allow the oil in the vacuum pump to flow backward.
- 3) Allow the vacuum pump to pull down to a 29.9" Hg vacuum. Evacuating period depends on pump capacity.
- 4) Close the low-side valve and high-side valve on the service manifold.

- 5) Disconnect the vacuum pump, and attach a refrigerant service cylinder to the high-side line. Remember to loosen the connection, and purge the air from the hose. See the nameplate for the required refrigerant charge. Hoshizaki recommends only virgin refrigerant or reclaimed refrigerant which meets ARI Standard No. 700-88 be used.
- 6) A liquid charge is recommended for charging an R-404A system. Invert the service cylinder. Open the high-side, service manifold valve.
- 7) Allow the system to charge with liquid until the pressures balance.
- 8) If necessary, add any remaining charge to the system through the low-side. Use a throttling valve or liquid dispensing device to add the remaining liquid charge through the low-side access port with the unit running.
- 9) Close the two refrigerant access valves, and disconnect the hoses and service manifold.
- 10) Cap the access valves to prevent a possible leak.

2. Brazing

DANGER

1. Refrigerant R-404A itself is not flammable at atmospheric pressure and temperatures up to 176° F.
2. Refrigerant R-404A itself is not explosive or poisonous. However, when exposed to high temperatures (open flames) R-404A can be decomposed to form hydrofluoric acid and carbonyl fluoride both of which are hazardous.
3. Always recover the refrigerant and store it in an approved container. Do not discharge the refrigerant into the atmosphere.
4. Do not use silver alloy or copper alloy containing arsenic.
5. Do not use R-404A as a mixture with pressurized air for leak testing. Refrigerant leaks can be detected by charging the unit with a little refrigerant, raising the pressure with nitrogen and using an electronic leak detector.

Note: All brazing-connections inside the evaporator case are clear-paint coated. Sandpaper the brazing connections before unbrazing the components. Use a good abrasive cloth to remove coating.

3. Removal and Replacement of Compressor

IMPORTANT

Always install a new drier every time the sealed refrigeration system is opened. Do not replace the drier until after all other repair or replacement has been made.

Note: When replacing a compressor with a defective winding, be sure to install the new start capacitor and start relay supplied with the replacement compressor. Due to the ability of the POE oil in the compressor to absorb moisture quickly, the compressor must not be opened more than 15 minutes for replacement or service. Do not mix lubricants of different compressors even if both are charged with R-404A, except when they use the same lubricant.

- 1) Turn off the power supply.
- 2) Remove the panels.
- 3) Recover the refrigerant and store it in an approved container.
- 4) Remove the terminal cover on the compressor, and disconnect the compressor wiring.
- 5) Remove the discharge and suction pipes using brazing equipment.
- 6) Remove the hold-down bolts, washers and rubber grommets.
- 7) Slide and remove the compressor. Unpack the new compressor package. Install the new compressor.
- 8) Attach the rubber grommets of the prior compressor.
- 9) Sandpaper the Suction, Discharge and Process Pipes.
- 10) Place the compressor in position, and secure it using the bolts and washers.
- 11) Remove plugs from the suction, discharge and process pipes.
- 12) Braze the process, suction and discharge lines (do not change this order), while purging with nitrogen gas flowing at a pressure of 3-4 PSIG.
- 13) Install the new filter drier.

- 15) Evacuate the system, and charge it with refrigerant. For air-cooled and water-cooled models, see the nameplate for the required refrigerant charge. For remote air-cooled models, see the charge label in the machine compartment.
- 16) Connect the terminals, and replace the terminal cover in its correct position.
- 17) Replace the panels in their correct positions.
- 18) Turn on the power supply.

4. Removal and Replacement of Drier

IMPORTANT

Always install a new drier every time the sealed refrigeration system is opened. Do not replace the drier until after all other repair or replacement has been made.

- 1) Turn off the power supply.
- 2) Remove the panels.
- 3) Recover the refrigerant and store it in an approved container.
- 4) Remove the drier.
- 5) Install the new drier, with the arrow on the drier, in the direction of the refrigerant flow. Use nitrogen gas at the pressure of 3-4 PSIG when brazing the tubings.
- 6) Check for leaks using nitrogen gas (140 PSIG) and soap bubbles.
- 7) Evacuate the system, and charge it with refrigerant. For air-cooled and water-cooled models, see the nameplate for the required refrigerant charge. For remote air-cooled models, see the charge label in the machine compartment.
- 8) Replace the panels in their correct positions.
- 9) Turn on the power supply.

5. Removal and Replacement of Expansion Valve

IMPORTANT

Sometimes moisture in the refrigerant circuit exceeds the drier capacity and freezes up at the expansion valve. Always install a new drier every time the sealed refrigeration system is opened. Do not replace the drier until after all other repair or replacement has been made.

- 1) Turn off the power supply.
- 2) Remove the panels.

- 3) Recover the refrigerant and store it in an approved container.
- 4) Remove the insulation and the expansion valve bulb on the suction line.
- 5) Remove the expansion valve cover, and disconnect the expansion valve using brazing equipment.
- 6) Braze the new expansion valve, with nitrogen gas flowing at a pressure of 3-4 PSIG.

WARNING

Always protect the valve body by using a damp cloth to prevent the valve from overheating. Do not braze with the valve body exceeding 250°F.

- 7) Install the new drier.
- 8) Check for leaks using nitrogen gas (140 PSIG) and soap bubbles.
- 9) Evacuate the system, and charge it with refrigerant. For air-cooled and water-cooled models, see the nameplate for the required refrigerant charge. For remote air-cooled models, see the charge label in the machine compartment.
- 10) Attach the bulb to the suction line in position. Be sure to secure it with clamps and to insulate it.
- 11) Place the new set of expansion valve covers in position.
- 12) Replace the panels in their correct positions.
- 13) Turn on the power supply.

6. Removal and Replacement of Hot Gas Valve and Line Valve

CAUTION

Always use a copper tube of the same diameter and length when replacing the hot gas lines; otherwise performance may be reduced.

IMPORTANT

Always install a new drier every time the sealed refrigeration system is opened. Do not replace the drier until after all other repair or replacement has been made.

- 1) Turn off the power supply.
- 2) Remove the panels.
- 3) Recover the refrigerant and store it in an approved container.
- 4) Remove the screw and the solenoid.
- 5) Disconnect the hot gas valve or line valve using brazing equipment.
- 6) Install the new valve.

WARNING

Always protect the valve body by using a damp cloth to prevent the valve from overheating. Do not braze with the valve body exceeding 250°F.

- 7) Install the new drier.
- 8) Check for leaks using nitrogen gas (140 PSIG) and soap bubbles.
- 9) Evacuate the system, and charge it with refrigerant. For air-cooled and water-cooled models, see the nameplate for the required refrigerant charge. For remote air-cooled models, see the charge label in the machine compartment.
- 10) Cut the leads of the solenoid allowing enough lead length to reconnect using closed end connectors.
- 11) Connect the new solenoid leads.
- 12) Attach the solenoid to the valve body, and secure it with a screw.
- 13) Replace the panels in their correct positions.
- 14) Turn on the power supply.

7. Removal and Replacement of Evaporator

IMPORTANT

Always install a new drier every time the sealed refrigeration system is opened. Do not replace the drier until after all other repairs or replacement have been made.

- 1) Turn off the power supply.
- 2) Remove the panels and the top insulation over the evaporator.
- 3) Recover the refrigerant and store it in an approved container.
- 4) Remove the spray tubes and the insulations at the “U” shaped notch where the refrigeration tubings go through the molded chassis.
- 5) Remove the insulation tube, and disconnect the evaporator inlet tubing at the tee next to the expansion valve.
- 6) Lift up the evaporator, and disconnect the evaporator outlet tubing.
- 7) Install the new evaporator.
- 8) Install the new drier.
- 9) Check for leaks using nitrogen gas (140 PSIG) and soap bubbles.
- 10) Evacuate the system, and charge it with refrigerant. For air-cooled and water-cooled models, see the nameplate for the required refrigerant charge. For remote air-cooled models, see the charge label in the machine compartment.
- 11) Replace the removed parts in the reverse order of which they were removed.
- 12) Replace the top insulation and the panels in their correct positions.
- 13) Turn on the power supply.

8. Removal and Replacement of Water Regulating Valve (Water-Cooled Model Only)

IMPORTANT

Always install a new drier every time the sealed refrigeration system is opened. Do not replace the drier until after all other repair or replacement has been made.

- 1) Turn off the power supply.
- 2) Close the water supply line shut-off valve.
- 3) Remove the panels.
- 4) Recover the refrigerant and store it in an approved container.
- 5) Disconnect the capillary tube at the condenser outlet using brazing equipment.
- 6) Disconnect the flare-connections of the valve.
- 7) Remove the screws and the valve from the bracket.
- 8) Install the new valve, and braze the capillary tube.
- 9) Install the new drier.
- 10) Check for leaks using nitrogen gas (140 PSIG) and soap bubbles.
- 11) Evacuate the system, and charge it with refrigerant. See the nameplate for the required refrigerant charge.
- 12) Connect the flare-connections.
- 13) Open the water supply line shut-off valve.
- 14) Check for water leaks.
- 15) Replace the panels in their correct positions.
- 16) Turn on the power supply.

9. Adjustment of Water Regulating Valve (Water-Cooled Model Only)

The water regulating valve (also called “water regulator”) is factory-adjusted. No adjustment is required under normal use. Adjust the water regulator, if necessary, using the following procedures.

- 1) Attach a pressure gauge to the high-side line of the system. Or prepare a thermometer to check for the condenser drain temperature.
- 2) Rotate the adjustment screw by using a flat blade screwdriver, so that the pressure gauge shows 270 PSIG or the thermometer reads 104-115°F, 5 minutes after a freeze cycle or icemaking process starts. When the pressure exceeds 270 PSIG, or the condenser drain temperature exceeds 115° F, rotate the adjustment screw counterclockwise. See Fig. 1.
- 3) Check that the pressure or the condenser drain temperature holds a stable setting.

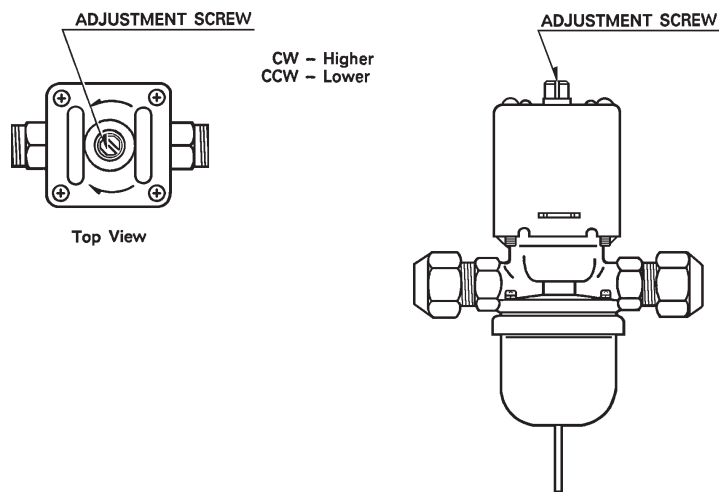


Fig. 1

10. Removal and Replacement of Condensing Pressure Regulator (C.P.R.) (Remote Air-Cooled Model Only)

IMPORTANT

Always install a new drier every time the sealed refrigeration system is opened. Do not replace the drier until after all other repair or replacement has been made.

- 1) Turn off the power supply.
- 2) Remove the panels from the remote condenser unit.
- 3) Recover the refrigerant and store it in an approved container.
- 4) Before heating, break off the stub on the dome to release the dome charge.
- 5) Disconnect the C.P.R. using brazing equipment.
- 6) Install the new C.P.R. Use nitrogen gas at a pressure of 3-4 PSIG when brazing the C.P.R.

WARNING

Always protect the C.P.R. body by using a damp cloth to prevent the C.P.R. from overheating. Do not braze with the C.P.R. body exceeding 250°F.

- 7) Install the new drier in the icemaker.
- 8) Check for leaks using nitrogen gas (140 PSIG) and soap bubbles.
- 9) Evacuate the system and charge it with refrigerant. See the charge label in the machine compartment in the icemaker.
- 10) Replace the panels in their correct positions.
- 11) Turn on the power supply.

11. Removal and Replacement of Thermistor

CAUTION

1. Fragile, handle very carefully.
2. Always use a recommended sealant (high thermal conductive type), Model KE4560RTV manufactured by Shinetsu Silicone, Part Code 60Y000-11, or Part Code 4A0683-01 equivalent.
3. Always use a recommended foam insulation (non-absorbent type) or equivalent.
4. Do not shorten or cut the thermistor leads when installing it.

- 1) Turn off the power supply.
- 2) Remove the panels.
- 3) Remove the control box cover.
- 4) Disconnect the thermistor leads from the K3 connector on the controller board.
- 5) Remove the plastic cable ties, foam insulation, thermistor holder and thermistor. See Fig. 2.

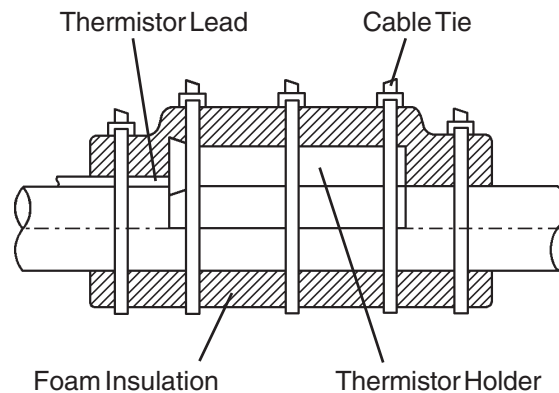


Fig. 2

- 6) Scrape away the old sealant on the thermistor holder and the suction pipe.
- 7) Wipe off moisture or condensation on the suction pipe.
- 8) Smoothly apply recommended sealant (KE4560RTV, Part Code 60Y000-11 or 4A0683-01) to the thermistor holder concave.
- 9) Attach the new thermistor to the suction pipe very carefully to prevent damage to the leads. And secure it using the thermistor holder and recommended foam insulation.

Note: For models with the liquid bypass, the thermistor should be located upstream from the liquid bypass outlet, and its end should be 4-3/4" or more away from the outlet. See Fig. 3.

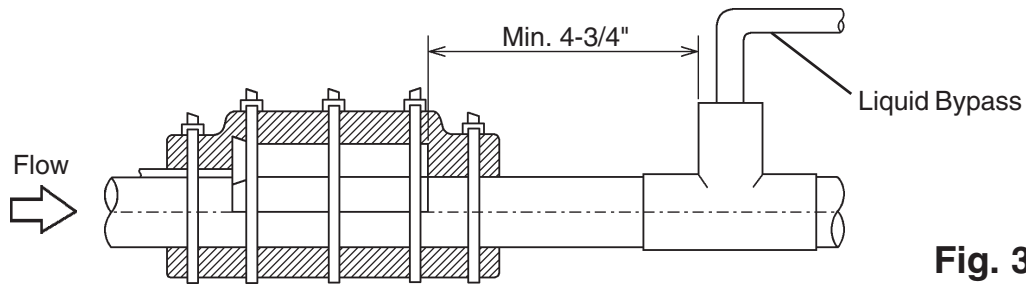


Fig. 3

- 10) Secure the insulation using the plastic cable ties.
- 11) Connect the thermistor leads through the bushing of the control box to the K3 connector on the controller board.

Note: Do not cut the leads of the thermistor while installing it.
- 12) Replace the control box cover and the panels in their correct positions.
- 13) Turn on the power supply.

12. Removal and Replacement of Fan Motor

Note: When replacing a fan motor with defective winding, it is recommended that a new capacitor be installed.

- 1) Turn off the power supply.
- 2) Remove the panels.
- 3) Remove the junction box cover from the remote condenser unit (remote air-cooled model).
- 4) Remove the closed end connectors from the fan motor leads.
- 5) Remove the fan motor bracket and fan motor.
- 6) Install the new fan motor, and replace the removed parts in the reverse order of which they were removed.
- 7) Replace the panels in their correct positions.
- 8) Replace the junction box cover in its correct position (remote air-cooled model).
- 9) Turn on the power supply.

13. Removal and Replacement of Water Valve

- 1) Turn off the power supply.
- 2) Close the water supply line shut-off valve.
- 3) Remove the front panel.
- 4) Remove the valve outlet tubing by releasing the clamp.
- 5) Remove the bracket from the unit.
- 6) Remove the fitting nut and water valve.
- 7) Disconnect the terminals from the water valve.
- 8) Install the new water valve, and replace the removed parts in the reverse order of which they were removed.
- 9) Open the water supply line shut-off valve.
- 10) Turn on the power supply.
- 11) Check for leaks.
- 12) Replace the front panel in its correct position.

14. Removal and Replacement of Pump Motor

- 1) Turn off the power supply.
- 2) Remove the front panel.
- 3) Remove the base cover.
- 4) Drain the water tank by removing one end of the pump tubing.
- 5) Replace the removed parts in their correct positions.
- 6) Disconnect the pump suction and discharge hoses.
- 7) Remove the screws and the pump motor bracket.

- 8) Remove the closed end connectors from the pump motor leads.
- 9) Remove the two screws and the pump motor bracket.
- 10) Remove the pump housing, and check the impeller.
- 11) If the impeller is defective, install a new impeller.
- 12) Install the new motor or new parts, and replace the removed parts in the reverse order of which they were removed.
- 13) Turn on the power supply, and check for leaks.
- 14) Replace the base cover.
- 15) Replace the front panel in its correct position.

15. Removal and Replacement of Spray Tubes

- 1) Turn off the power supply.
- 2) Remove the front panel and the insulation panel.
- 3) Remove the rubber hoses from the spray tubes (water supply pipe).
- 4) Release the clamps, and disconnect the rubber hoses.
- 5) Remove the spray tubes by squeezing the side tabs.
- 6) Install the new spray tubes, and replace the removed parts in the reverse order of which they were removed.
- 7) Replace the panels in their correct positions.
- 8) Turn on the power supply.

16. Removal and Replacement of Bin Control

- 1) Turn off the power supply.
- 2) Remove the front panel and top panel.
- 3) Remove the two thumbscrews securing the switch cover.
- 4) Lift the bin control assembly out of the icemaker.
- 5) Lift off the insulation, then remove the two thumbscrews attaching the bin control to the switch cover.
- 6) Use the thumbscrews to attach the new bin control to the switch cover.
- 7) Replace the removed parts in the reverse order of which they were removed.

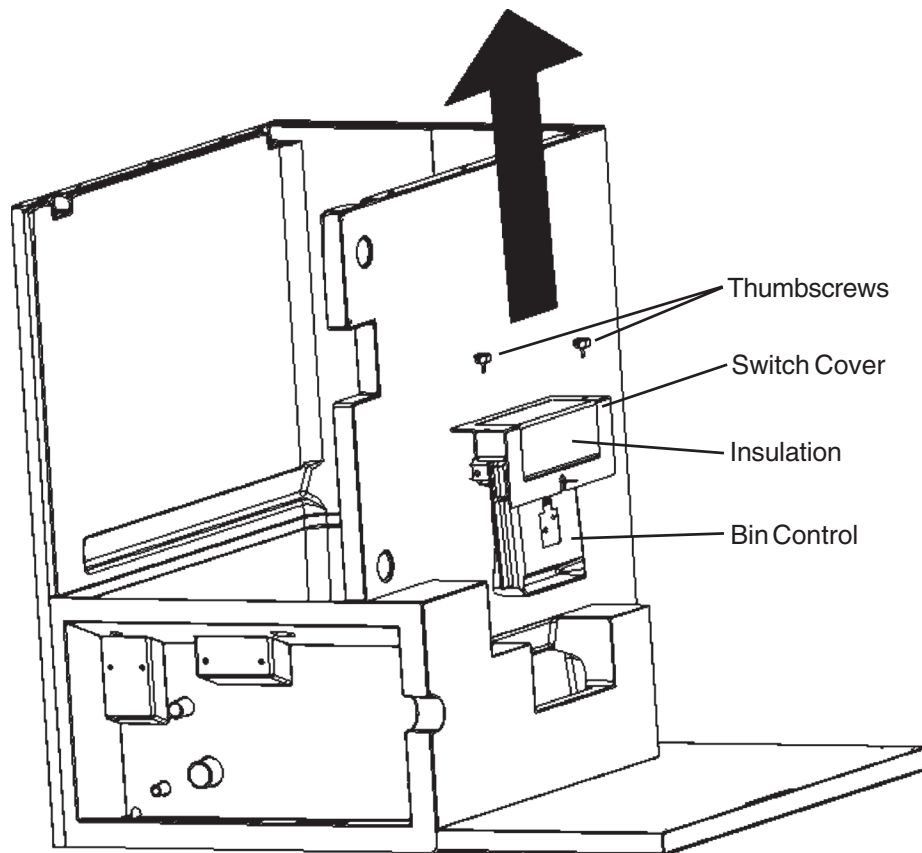


Fig. 4

VI. Cleaning and Maintenance Instructions

1. Preparing the Icemaker for Long Storage

IMPORTANT

When shutting off the icemaker for an extended time, drain out all water from the water line and remove the ice from the storage bin. The storage bin should be cleaned and dried. Drain the icemaker to prevent damage to the water supply line at sub-freezing temperatures, using a foot or hand pump. Shut off the icemaker until the proper ambient temperature is resumed.

- When the icemaker is not used for two or three days, it is sufficient to only move the control switch to the “OFF” position, unless the icemaker will be at sub-freezing temperatures.

[1] On water-cooled models only, first remove the water from the water-cooled condenser:

- 1) Remove the front panel.
- 2) Move the control switch on the control box to the “OFF” position.
- 3) Wait 3 minutes.
- 4) Move the control switch to the “ICE” position.
- 5) Allow 5 minutes for the icemaker to fill with water and the water pump to start operating.
- 6) Close the water-cooled condenser water supply line shut-off valve.
- 7) Open the drain valve for the water-cooled condenser water supply line.
- 8) Allow the line to drain by gravity.
- 9) Attach compressed air or carbon dioxide supply to the condenser water line drain valve.
- 10) Blow the water-cooled condenser out using compressed air or carbon dioxide until water stops coming out.

[2] Remove the water from the potable water supply line:

- 1) Remove the front panel. (Except water-cooled models)
- 2) Move the control switch on the control box to the “OFF” position.
- 3) Wait 3 minutes.
- 4) Close the potable water supply line shut-off valve and open the potable water supply line drain valve.
- 5) Allow the line to drain by gravity.
- 6) Attach compressed air or carbon dioxide supply to the potable water line drain valve.
- 7) Move the control switch to the “ICE” position.
- 8) Quickly blow the potable water line out using compressed air or carbon dioxide.

[3] Drain the potable water tank:

- 1) Turn off the power supply.
- 2) Move the control switch on the control box to the “OFF” position.
- 3) Remove the insulation panel by removing thumbscrew, lifting up the panel slightly and pulling it toward you. Remove cube guide B by removing thumbscrew. Remove cube guide A. Remove overflow cap, overflow pipe, and water shield. See Fig. 5.
- 4) Remove the drain plug.
- 5) Remove all ice from the storage bin, and clean the storage bin.
- 6) Replace drain plug, water shield, overflow pipe, overflow cap, cube guide A, cube guide B, and insulation panel in their correct positions.
- 7) Replace the front panel in its correct position.
- 8) Close the water supply line shut-off valve.

Top View

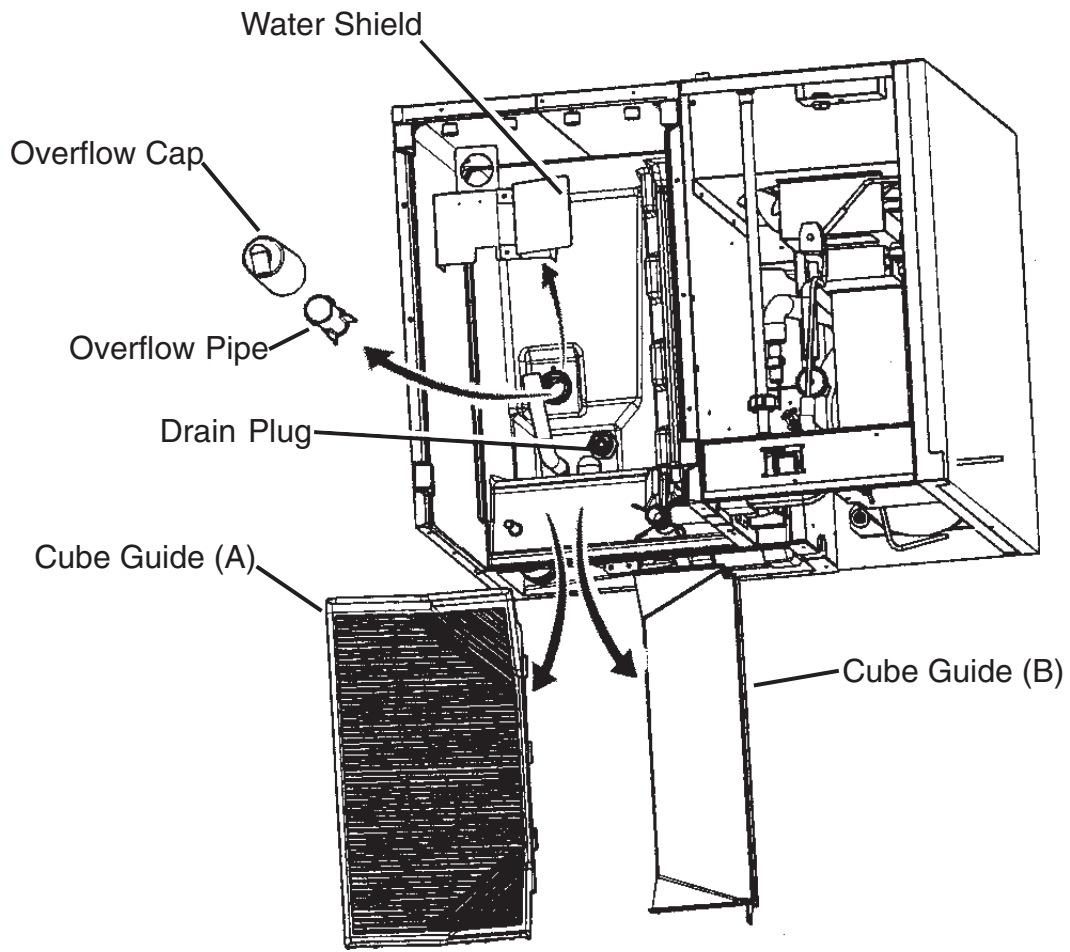


Fig. 5

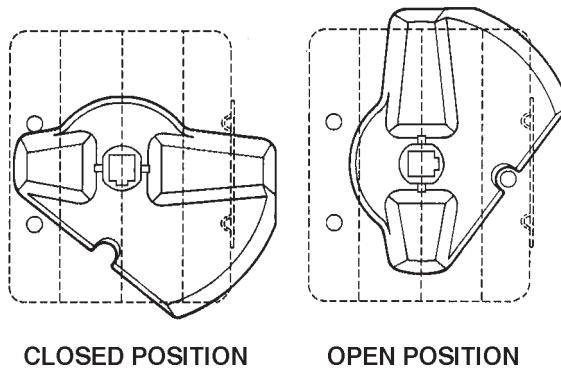
2. Cleaning Instructions

WARNING

1. HOSHIZAKI recommends cleaning this unit at least once a year. More frequent cleaning, however, may be required in some existing water conditions.
2. To prevent injury to individuals and damage to the icemaker, do not use ammonia type cleaners.
3. Always wear liquid-proof gloves to prevent the cleaning and sanitizing solution from coming into contact with skin.

IMPORTANT

1. The cleaning valve is used to provide access to the inside of the evaporator during the cleaning and sanitizing operation. It should be closed for all icemaking operation. The compressor will not operate unless this valve is completely closed.
2. To open the cleaning valve, the valve handle should be parallel to the valve body. To close the valve, the valve handle should be at a right angle to the valve body.



[a] Cleaning Procedure

- 1) Dilute approximately 13.5 fl. oz. of recommended cleaner Hoshizaki “Scale Away” or “LIME-A-WAY,” (Economics Laboratory, Inc.) with 2.5 gallons of water.
- 2) Remove all ice from the evaporator and the storage bin.

Note: To remove cubes on the evaporator, turn off the power supply and turn it back on after 3 minutes. The defrost cycle starts and the cubes will be removed from the evaporator.

- 3) Turn off the power supply.
- 4) Remove the front panel. Then remove the insulation panel by removing thumbscrew, lifting up the panel slightly and pulling it toward you. Remove cube guide B by removing thumbscrew. Remove cube guide A. Remove overflow cap, overflow pipe, and water shield.
- 5) Remove the drain plug located inside the water tank. Drain the water tank. Replace the drain plug in its correct position.
- 6) Pour the cleaning solution into the water tank.
- 7) Fully open the cleaning valve on the left side wall of the machine compartment.
- 8) Move the control switch on the control box to the “WASH” position.
- 9) Replace water shield, overflow pipe, overflow cap, cube guide A, cube guide B, and insulation panel in their correct positions. Replace the front panel in its correct position.
- 10) Turn on the power supply, and start the washing process.
- 11) Turn off the power supply after 30 minutes.
- 12) Remove the front panel.
- 13) Remove the insulation panel by removing thumbscrew, lifting up the panel slightly and pulling it toward you. Remove cube guide B by removing thumbscrew. Remove cube guide A. Remove overflow cap, overflow pipe, and water shield.
- 14) Remove the drain plug located inside the water tank. Drain the water tank. Replace the drain plug in its correct position.
- 15) Replace water shield, overflow pipe, overflow cap, cube guide A, cube guide B, and insulation panel in their correct positions.
- 16) Move the control switch to the “ICE” position.
- 17) Close the cleaning valve.
- 18) Replace the front panel in its correct position.

- 19) Turn on the power supply to fill the water tank with water.
- 20) Turn off the power supply after 3 minutes.
- 21) Remove the front panel, and fully open the cleaning valve.
- 22) Move the control switch to the "WASH" position.
- 23) Replace the front panel in its correct position.
- 24) Turn on the power supply to rinse off the cleaning solution.
- 25) Turn off the power supply after 5 minutes.
- 26) Remove the front panel.
- 27) Remove the insulation panel by removing thumbscrew, lifting up the panel slightly and pulling it toward you. Remove cube guide B by removing thumbscrew. Remove cube guide A. Remove overflow cap, overflow pipe, and water shield.
- 28) Remove the drain plug located inside the water tank. Drain the water tank. Replace the drain plug in its correct position.
- 29) Replace water shield, overflow pipe, overflow cap, cube guide A, cube guide B, and insulation panel in their correct positions.
- 30) Repeat the above steps 16) through 29) three more times to rinse thoroughly.

Note: If you do not sanitize the icemaker, go to step 10) in "[b] Sanitizing Procedure."

[b] Sanitizing Procedure - Following Cleaning Procedure

- 1) Dilute a 5.25% sodium hypochlorite solution (chlorine bleach) with water (Add approximately 1.25 fl. oz. to 2.5 gal. of water).
- 2) Remove the insulation panel by removing thumbscrew, lifting up the panel slightly and pulling it toward you.
- 3) Pour the sanitizing solution into the water tank.
- 4) Replace the insulation panel and the front panel in their correct positions.

Note: Make sure that the control switch is in the “WASH” position and the cleaning valve is open.

- 5) Turn on the power supply, and start the sanitizing process.
- 6) Turn off the power supply after 15 minutes.
- 7) Remove the front panel.
- 8) Remove the insulation panel by removing thumbscrew, lifting up the panel slightly and pulling it toward you. Remove cube guide B by removing thumbscrew. Remove cube guide A. Remove overflow cap, overflow pipe, and water shield.
- 9) Remove the drain plug located inside the water tank. Drain the water tank. Replace the drain plug in its correct position.
- 10) Replace water shield, overflow pipe, overflow cap, cube guide A, cube guide B, and insulation panel in their correct positions.
- 11) Repeat the above steps 16) through 29) in “[a] Cleaning Procedure” two times to rinse thoroughly.
- 12) Close the cleaning valve.
- 13) Move the control switch to the “ICE” position.
- 14) Replace the front panel in its correct position.
- 15) Clean the storage bin/dispenser unit with water.
- 16) Turn on the power supply, and start the automatic icemaking process.

3. Maintenance

IMPORTANT

This icemaker must be maintained individually, referring to the instruction manual and labels provided with the icemaker.

1) Stainless Steel Exterior

To prevent corrosion, wipe the exterior occasionally with a clean, soft cloth. Use a damp cloth containing a neutral cleaner to wipe off oil or dirt build up.

2) Storage Bin and Scoop

- Wash your hands before removing ice. Use the plastic scoop provided (bin accessory).
- The storage bin/dispenser unit is for ice use only. Do not store anything else in the bin/dispenser.
- Keep the scoop clean. Clean it by using a neutral cleaner and rinse thoroughly.
- Clean the bin/dispenser liner by using a neutral cleaner. Rinse thoroughly after cleaning.

3) Air Filter (air-cooled models only)

A plastic mesh air filter removes dirt or dust from the air, and keeps the condenser from getting clogged. As the filter gets clogged, the icemaker's performance will be reduced. Check the filter at least twice a month. When clogged, use warm water and a neutral cleaner to wash the filter.

4) Condenser (except water-cooled models)

Check the condenser once a year, and clean if required by using a brush or vacuum cleaner. More frequent cleaning may be required depending on the location of the icemaker.