

---

NO. 71159

ISSUED: MARCH. 31, 2000

REVISED: JULY 31, 2002

---



**HOSHIZAKI  
MODULAR CRESCENT CUBER**

**MODEL  
KML-350MAF  
KML-350MWF**

**(FINAL) PARTS LIST**

## MATERIAL ABBREVIATIONS

### ALUMINUM

AL = Aluminum

### COPPER

CU = Copper

### PLASTIC

ABS = Acrylonitrile -butadiene - styrene  
 AC = Polyacetal  
 EVA = Ethylene vinyl acetate  
 PA = Polyamide = Nylon  
 PC = Polycarbonate  
 PE = Polyethylene  
 PES = Polyester  
 PETP = Polyethylene terephthalate = Tetlon  
 PP = Polypropylene  
 PS = Polystyrene  
 PIFE = Polytetrafluoroethylene = Teflon  
 PUR = Polyurethane  
 PVC = Polyvinyl chloride

### RUBBER

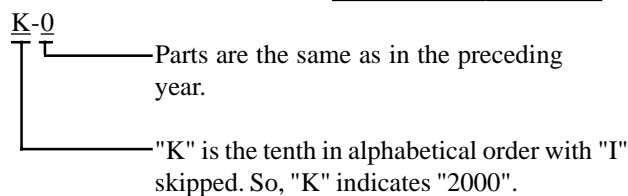
VN = Vinyl Nitrile  
 EPDM = EP rubber  
 NBR = Nitrile butadiene rubber  
 NR = Natural rubber  
 NP = Neoprene  
 SLR = Silicone rubber  
 SYR = Synthetic rubber  
 EPH = Epichlorohydrin

### STEEL

GS = Galvanized steel  
 SS = Stainless steel  
 PS = Plated steel  
 PAS = Primed steel

## AUXILIARY CODE

Ex.1

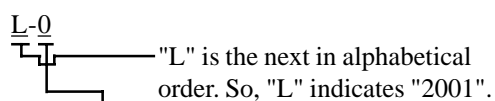


(Note) - = Part deleted.

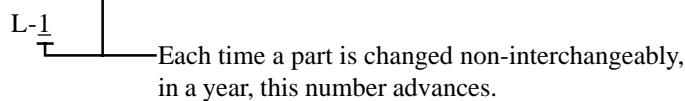
x = Part deleted and replaced by "o" part.

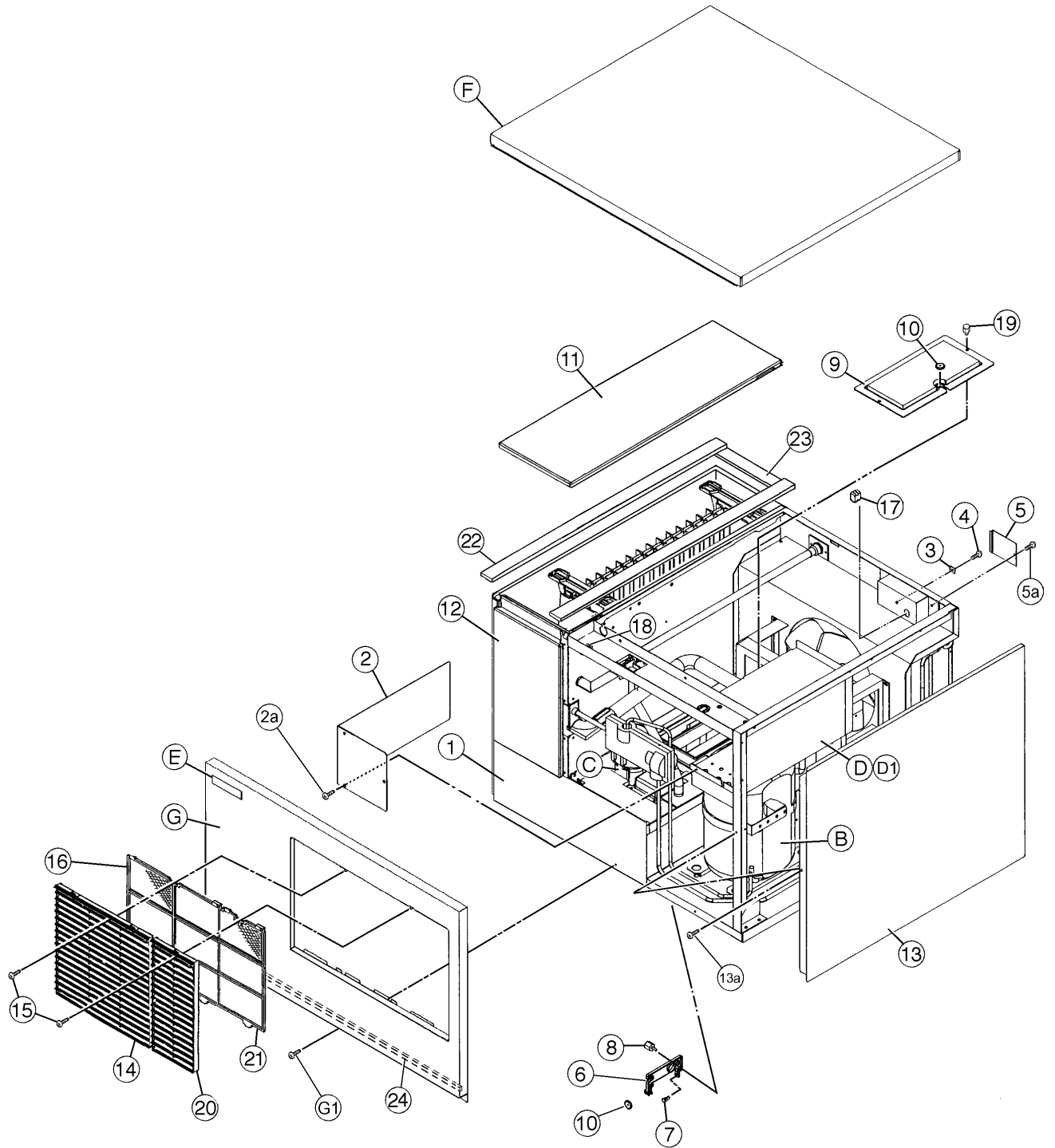
o = New part for "x" in the same auxiliary code.

Ex.2



Ex.3

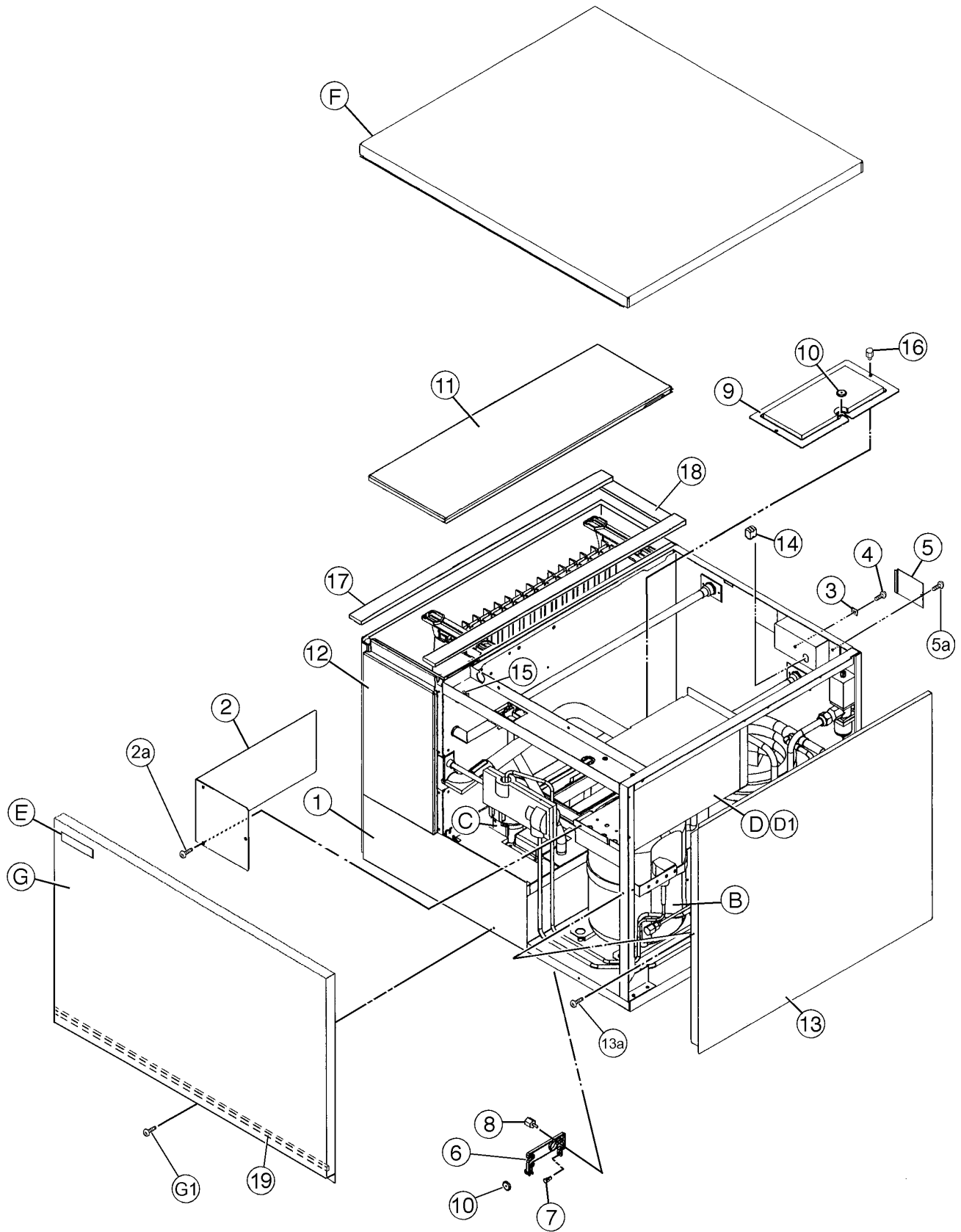




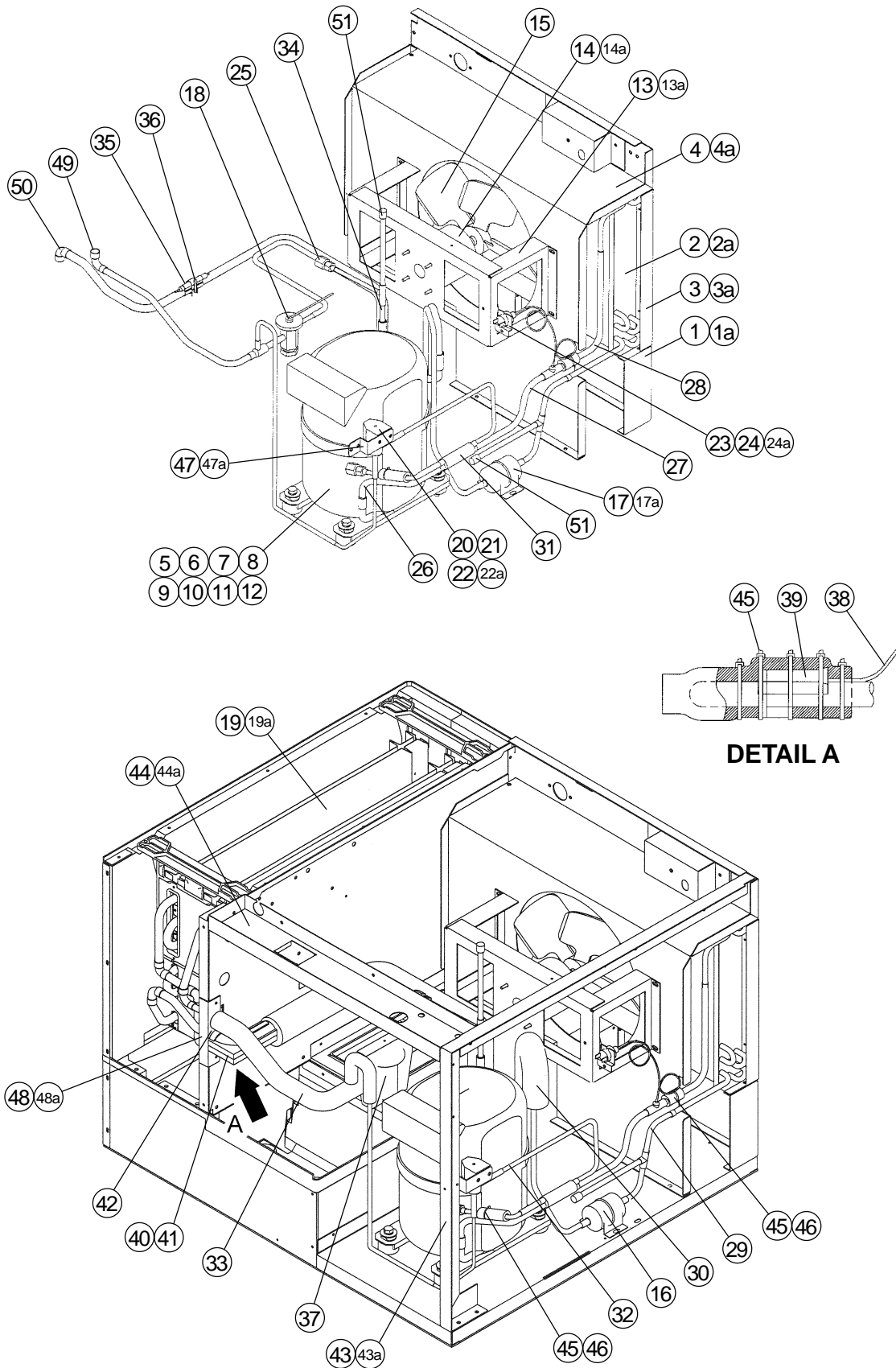
MODEL: <b>KML-350MAF</b> TITLE: <b>A. ICE CUBER ASSEMBLY</b>								
INDEX NO.	DESCRIPTION	MATERIAL OR MODEL NUMBER	PART NUMBER	REQUIRED NUMBER				
				K-0				
B	REFRIGERATION CIRCUIT	-	1A0445A01	1				
C	WATER CIRCUIT	-	1A0438A01	1				
D	CONT. BOX ASSEMBLY	-	2A1519A03	1				
D1	T2 SCREW	4X8	<a href="#">7P31-0408</a>	3				
E	LABEL LOCATION	-	3A1320A01	1				
F	TOP PANEL ASSEMBLY	-	3A0674A01	1				
G	FRONT PANEL	-	<a href="#">3A1273A01</a>	1				
G1	TRUSS HEAD SCREW	4X8, SS	<a href="#">7C32-0408</a>	2				
1	EVAP. CASE	HS-1014	2A1449G01	1				
2	CONT. BOX COVER	GS	3A0594-01	1				
2a	T2 SCREW	4X8	<a href="#">7P31-0408</a>	3				
3	SQUARE WASHER	BRASS	433537-02	1				
4	SCREW - GROUNDING	BRASS	<a href="#">433304-02</a>	1				
5	JUNCTION BOX COVER	GS	<a href="#">433410-01</a>	1				
5a	T2 SCREW	4X8	<a href="#">7P31-0408</a>	1				
6	THERMOSTAT EXTENSION BRACKET	SS	4A1722-01	1				
7	SPACER	PE	<a href="#">443545-01</a>	1				
8	THUMBSCREW	SS, ABS	<a href="#">415949G03</a>	2				
9	BIN CONT. COVER	GS	<a href="#">3A0664G01</a>	1				
10	CAPILLARY RING	EP RUBBER	<a href="#">425307-01</a>	2				
11	TOP INSULATION	PP	<a href="#">215730G01</a>	1				
12	FRONT INSULATION	PP	<a href="#">2A0664G01</a>	1				
13	SIDE PANEL (R)	SS	<a href="#">2A1456G01</a>	1				
13a	T2 SCREW	4X8, SS	<a href="#">7P32-0408</a>	1				
14	LOUVER (B)	ABS	<a href="#">103121-05</a>	1				
15	TAPPING SCREW (BLACK)	STEEL, 4X8	<a href="#">433954-01</a>	2				
16	AIR FILTER (B)	ABS	<a href="#">208283G03</a>	1				
17	BUSHING	SR-34-2	<a href="#">420472-03</a>	1				
18	WIRE SADDLE	VWS4238-C	<a href="#">4A0338-02</a>	2				
19	THUMBSCREW	SS, ABS	415949G04	2				
20	LOUVER (C)	ABS	<a href="#">103122-03</a>	1				

HA

MODEL: <b>KML-350MAF</b> TITLE: <b>A. ICE CUBER ASSEMBLY</b>									
INDEX NO.	DESCRIPTION	MATERIAL OR MODEL NUMBER	PART NUMBER	REQUIRED NUMBER					
				K-0					
21	AIR FILTER (C)	ABS	208284G01	1					
22	GASKET	L=655	4A0808L02	2					
23	GASKET	L=190	4A0808L02	1					
24	GASKET	L=762	4A0808L02	1					



MODEL: <b>KML-350MWF</b> TITLE: <b>A. ICE CUBER ASSEMBLY</b>								
INDEX NO.	DESCRIPTION	MATERIAL OR MODEL NUMBER	PART NUMBER	REQUIRED NUMBER				
				K-0				
B	REFRIGERATION CIRCUIT	-	1A0444A01	1				
C	WATER CIRCUIT	HS-1208	1A0938A01	1				
D	CONT. BOX ASSEMBLY	-	2A1519A04	1				
D1	T2 SCREW	4X8	<a href="#">7P31-0408</a>	3				
E	LABEL LOCATION	-	3A1321A01	1				
F	TOP PANEL ASSY	-	3A0674A01	1				
G	FRONT PANEL	-	3A1273A02	1				
G1	TRUSS HEAD SCREW	4X8, SS	<a href="#">7C32-0408</a>	2				
1	EVAP. CASE	HS-1014	2A1449G01	1				
2	CONT. BOX COVER	GS	3A0594-01	1				
2a	T2 SCREW	4X8	<a href="#">7C31-0408</a>	3				
3	SQUARE WASHER	BRASS	433537-02	1				
4	SCREW - GROUNDING	BRASS	<a href="#">433304-02</a>	1				
5	JUNCTION BOX COVER	GS	<a href="#">433410-01</a>	1				
5a	T2 SCREW	4X8	<a href="#">7C31-0408</a>	1				
6	THERMOSTAT EXTENSION BRACKET	SS	4A1722-01	1				
7	SPACER	PE	<a href="#">443545-01</a>	1				
8	THUMBSCREW	SS, ABS	<a href="#">415949G03</a>	2				
9	BIN CONT COVER	GS	<a href="#">3A0664G01</a>	1				
10	CAPILLARY RING	EP RUBBER	<a href="#">425307-01</a>	2				
11	TOP INSULATION	PP	<a href="#">215730G01</a>	1				
12	FRONT INSULATION	PP	<a href="#">2A0664G01</a>	1				
13	SIDE PANEL (R)	SS	<a href="#">2A1456G01</a>	1				
13a	T2 SCREW	4X8, SS	<a href="#">7P32-0408</a>	1				
14	BUSHING	SR-30-1	<a href="#">420472-03</a>	1				
15	WIRE SADDLE	VWS4238-C	<a href="#">4A0338-02</a>	2				
16	THUMBSCREW	SS, ABS	415949G04	2				
17	GASKET	L=655	<a href="#">4A0808L02</a>	2				
18	GASKET	L=190	<a href="#">4A0808L02</a>	1				
19	GASKET	L=762	<a href="#">4A0808L02</a>	1				

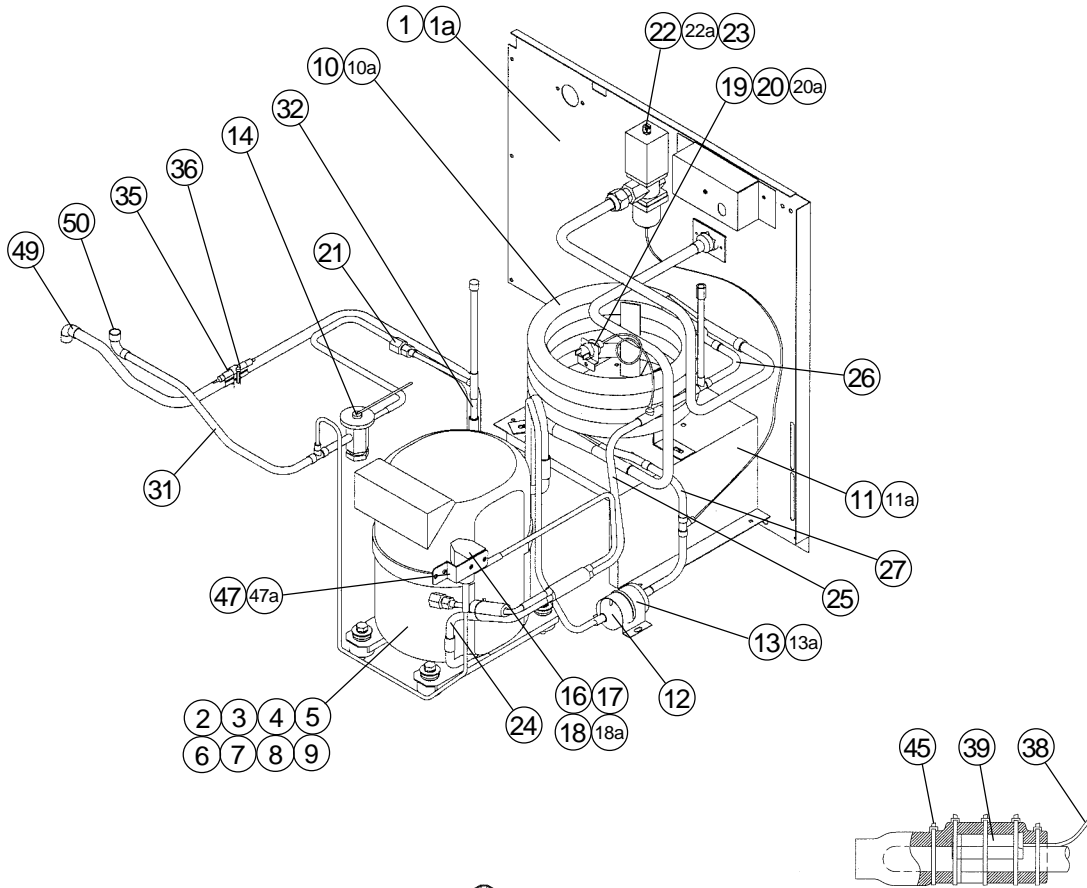




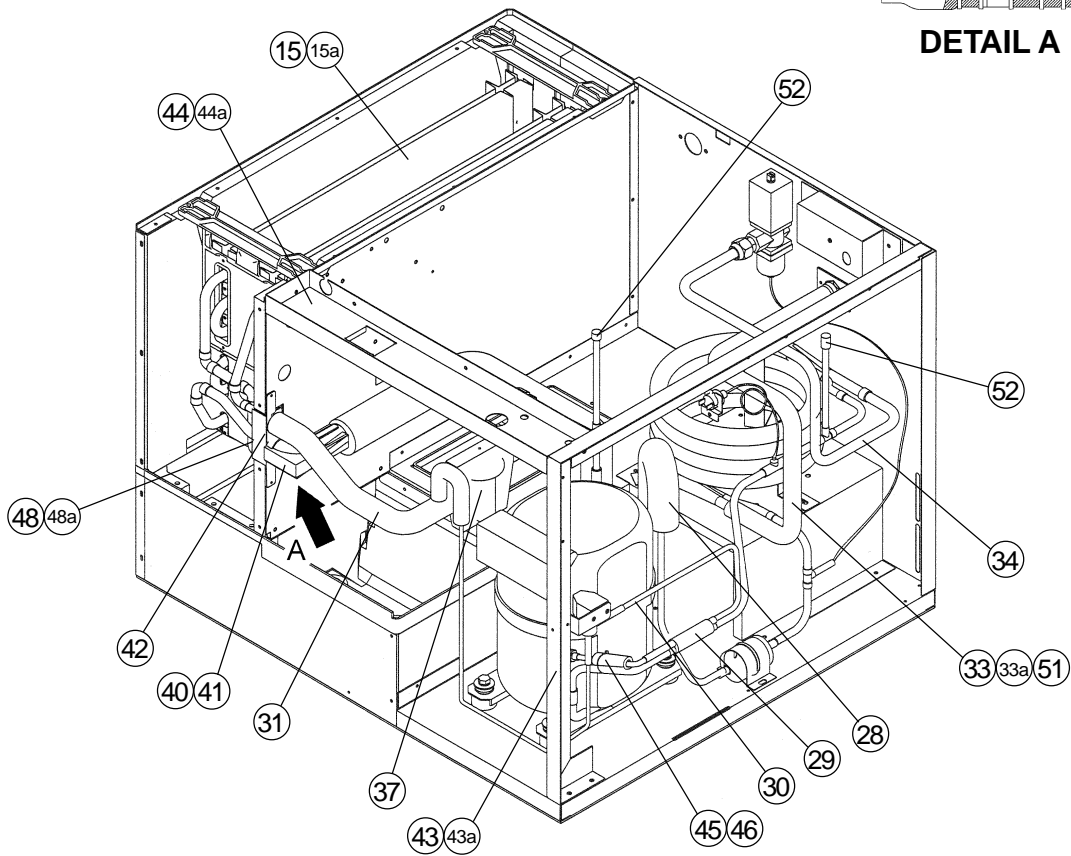
MODEL: <b>KML-350MAF</b>		TITLE: <b>B. REFRIGERATION CIRCUIT</b>						
INDEX NO.	DESCRIPTION	MATERIAL OR MODEL NUMBER	PART NUMBER	REQUIRED NUMBER				
				K-0				
1	COND. SUPPORT	GS	3A0589-01	1				
1a	T2 SCREW	4X8	<a href="#">7P31-0408</a>	5				
2	CONDENSER	-	<a href="#">2A0779-01</a>	1				
2a	T2 SCREW	4X8	<a href="#">7P31-0408</a>	3				
3	BARRIER	GS	<a href="#">4A0932-01</a>	1				
3a	T2 SCREW	4X8	<a href="#">7P31-0408</a>	2				
4	SHROUD	GS	3A0597G01	1				
4a	T2 SCREW	4X8	<a href="#">7P31-0408</a>	5				
5	COMPRESSOR	RS43C2E-CAA-219	4A2300-01	1				
6	TERMINAL COVER	COMP. ACCESSORY	4A2300F01	1				
7	SPRING CLIP	COMP. ACCESSORY	<a href="#">4A2300F02</a>	1				
8	MOTOR PROTECTOR	COMP. ACCESSORY	<a href="#">4A1805-01</a>	1				
9	PROTECTOR HOLDER	COMP. ACCESSORY	<a href="#">437339-01</a>	1				
10	BOLT	8X45	<a href="#">437889-01</a>	4				
11	SPACER	027-0072-02	<a href="#">434404-01</a>	1				
12	GROMMET	527-0039-04	<a href="#">434403-01</a>	4				
13	FAN MOTOR BRACKET	GS	<a href="#">2A0181-01</a>	1				
13a	HEX HEAD BOLT W/WASHER (LF)	5X12	<a href="#">7B0130512</a>	4				
14	FAN MOTOR	U90B1 7190-1031	440911-01	1				
14a	SELF LOCKING NUT	NO. 8-32	<a href="#">7N2110832</a>	4				
15	FAN BLADE	AD10CW32	<a href="#">444898-01</a>	1				
16	DRIER	CW-0325-S	4A1413-01	1				
17	DRIER BRACKET	GS	<a href="#">4A0807-01</a>	1				
17a	T2 SCREW	4X8	<a href="#">7P31-0408</a>	2				
18	EXP. VALVE	AN ½ SW 70	<a href="#">4A1838-02</a>	1				
19	EVAPORATOR ASSEMBLY	-	<a href="#">2A0717G01</a>	1				
19a	T2 SCREW	4X16	7P31-0416	4				
20	VALVE BODY	70	<a href="#">440352-01</a>	1				
21	COIL-VALVE	ABS-25-1-HD-2	440353-01	1				

MODEL: <b>KML-350MAF</b>		TITLE: <b>B. REFRIGERATION CIRCUIT</b>						
INDEX NO.	DESCRIPTION	MATERIAL OR MODEL NUMBER	PART NUMBER	REQUIRED NUMBER				
				K-0				
22	BOLT	-	440353F01	1				
22a	TRUSS HEAD SCREW	4X8	7C31-0408	2				
23	PRESSURE SWITCH	ACB-1UB09	433441-07	1				
24	PRESSURE SWITCH BRACKET	GS	434938-01	1				
24a	T2 SCREW	4X8	7P31-0408	1				
25	ACCESS VALVE	TCJ-2F20 NH DU-1	457729-01	2				
26	COPPER TUBE (A) - HIGH SIDE	COPPER	4A1846-01	1				
27	COPPER TUBE (B) - HIGH SIDE	COPPER	3A1317-01	1				
28	COPPER TUBE (C) - HIGH SIDE	COPPER	3A1316G01	1				
29	COPPER TUBE (D) - HIGH SIDE	COPPER	3A1311G01	1				
30	HEAT EXCHANGER	COPPER	2A1498G01	1				
31	STRAINER	-	4A0397-01	1				
32	COPPER TUBE (A) - HOT GAS	COPPER	4A1878-01	1				
33	COPPER TUBE (B) - HOT GAS	COPPER	2A1502G01	1				
34	COPPER TUBE (A) – ACCESS VALVE	COPPER	3A1323G01	1				
35	HOLDER / EXP. VALVE – 1/2	SS	3A0112-01	1				
36	CLAMP	SS	443461-02	1				
37	EXPANSION VALVE COVER	PE FOAM	4A1168-01	1				
38	THERMISTOR	-	429006-03	1				
39	HOLDER - THERMISTOR	COPPER	427430-01	1				
40	INSULATION – THERMISTOR (A)	PE FOAM	439368-01	1				
41	INSULATION – THERMISTOR (B)	PE FOAM	439368-02	1				
42	INSULATED RUBBER TUBE	EPDM	4A1008G01	1				
43	FRAME (A)	GS	2A0645-01	1				
43a	T2 SCREW	4X8	7P31-0408	4				
44	FRAME (B)	GS	3A0595-01	1				
44a	T2 SCREW	4X8	7P31-0408	4				
45	CABLE TIE	CV-200	7920-0010	14				
46	INSULATION TUBE	L=30	7762-1020	2				
47	LINE VALVE BRACKET	GS	4A1406-01	1				





**DETAIL A**

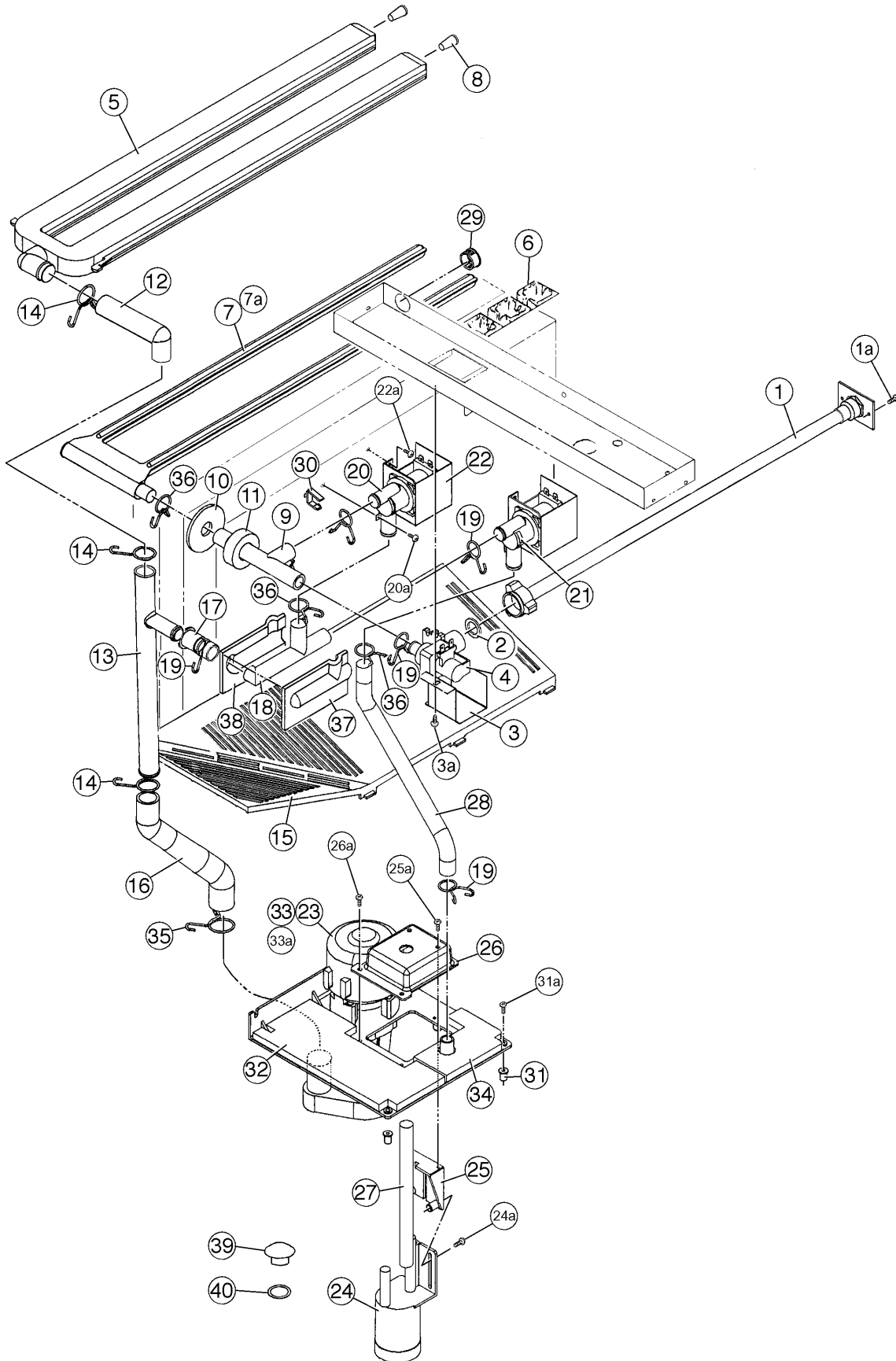


MODEL: <b>KML-350MMF</b>		TITLE: <b>B. REFRIGERATION CIRCUIT</b>						
INDEX NO.	DESCRIPTION	MATERIAL OR MODEL NUMBER	PART NUMBER	REQUIRED NUMBER				
				K-0				
1	REAR PANEL (B)	GS	<a href="#">3A0630G03</a>	1				
1a	T2 SCREW	4X8	<a href="#">7P31-0408</a>	9				
2	COMPRESSOR	RS43C2E-CAA-219	4A2300-01	1				
3	TERMINAL COVER	COMP. ACCESSORY	4A2300F01	1				
4	SPRING CLIP	COMP. ACCESSORY	<a href="#">4A2300F02</a>	1				
5	PROTECTOR	COMP. ACCESSORY	<a href="#">4A1805-01</a>	1				
6	PROTECTOR HOLDER	COMP. ACCESSORY	<a href="#">437339-01</a>	1				
7	BOLT	8X45	<a href="#">437889-01</a>	4				
8	SPACER	027-0072-02	<a href="#">434404-01</a>	4				
9	GROMMET	527-0039-04	<a href="#">434403-01</a>	4				
10	CONDENSER	H-1 ¼-I	2A1429-01	1				
10a	HEX HEAD BOLT W/WASHER (LF)	4X12	<a href="#">7B0230412</a>	3				
11	COND. SUPPORT	GS	2A1470-01	1				
11a	T2 SCREW	4X8	<a href="#">7P31-0408</a>	4				
12	DRIER	CW-0325-S	4A1413-01	1				
13	DRIER BRACKET	GS	<a href="#">4A0807-01</a>	1				
13a	T2 SCREW	4X8	<a href="#">7P31-0408</a>	2				
14	EXP. VALVE	AN ½ SW 70	<a href="#">4A1838-02</a>	1				
15	EVAPORATOR ASSEMBLY	-	<a href="#">2A0717G01</a>	1				
15a	T2 SCREW	SS, 4X16	<a href="#">7P32-0416</a>	4				
16	VALVE BODY	70	<a href="#">440352-01</a>	1				
17	COIL VALVE	ABS-25-1-HD-2	440353-01	1				
18	BOLT	-	440353F01	1				
18a	TRUSS HEAD SCREW	4X8	<a href="#">7C31-0408</a>	2				
19	PRESSURE SWITCH	ACB-1UB04	<a href="#">433441-05</a>	1				
20	PRESSURE SWITCH BRACKET	GS	<a href="#">434938-01</a>	1				
20a	T2 SCREW	4X8	<a href="#">7P31-0408</a>	1				
21	ACCESS VALVE	TCJ-2F20NHDU-1	<a href="#">457729-01</a>	2				
22	WATER REGULATOR	V46DA-3	4A0911-03	1				
22a	TRUSS HEAD SCREW	4X6	<a href="#">7C31-0406</a>	2				

MODEL: <b>KML-350MWF</b> TITLE: <b>B. REFRIGERATION CIRCUIT</b>								
INDEX NO.	DESCRIPTION	MATERIAL OR MODEL NUMBER	PART NUMBER	REQUIRED NUMBER				
				K-0				
23	MALE CONNECTOR	BRASS	<a href="#">4A1087-01</a>	1				
24	COPPER TUBE (A)-HIGH SIDE	COPPER	4A1846-01	1				
25	COPPER TUBE (B)-HIGH SIDE	COPPER	4A1859-01	1				
26	COPPER TUBE (C)-HIGH SIDE	COPPER	3A1282G01	1				
27	COPPER TUBE (D)-HIGH SIDE	COPPER	3A1288G01	1				
28	HEAT EXCHANGER	COPPER	2A1498G01	1				
29	STRAINER	-	<a href="#">4A0397-01</a>	1				
30	COPPER TUBE (A)-HOT GAS	COPPER	4A1878-01	1				
31	COPPER TUBE (B)-HOT GAS	COPPER	2A1502G01	1				
32	COPPER TUBE (A)-ACCESS VALVE	COPPER	3A1323G01	1				
33	COPPER TUBE (A)	COPPER	<a href="#">3A1519G01</a>	1				
33a	T2 SCREW	4X8	<a href="#">7P31-0408</a>	2				
34	COPPER TUBE (B)	COPPER	<a href="#">3A1453G01</a>	1				
35	HOLDER/EXP VALVE-1/2	SS	<a href="#">3A0112-01</a>	1				
36	CLAMP	SS	<a href="#">443461-02</a>	1				
37	EXPANSION VALVE COVER	PE FOAM	<a href="#">4A1168-01</a>	1				
38	THERMISTOR	-	<a href="#">429006-03</a>	1				
39	HOLDER-THERMISTOR	COPPER	<a href="#">427430-01</a>	1				
40	INSULATION-THERMISTOR (A)	PE FOAM	<a href="#">439368-01</a>	1				
41	INSULATION-THERMISTOR (B)	PE FOAM	<a href="#">439368-02</a>	1				
42	INSULATED RUBBER TUBE	EPDM	<a href="#">4A1008G01</a>	1				
43	FRAME (A)	GS	<a href="#">2A0645-01</a>	1				
43a	T2 SCREW	4X8	<a href="#">7P31-0408</a>	4				
44	FRAME (B)	GS	<a href="#">3A0595-01</a>	1				
44a	T2 SCREW	4X8	<a href="#">7P31-0408</a>	4				
45	CABLE TIE	CV-200	7920-010	14				
46	INSULATION TUBE	L=30	<a href="#">7762-1020</a>	2				
47	LINE VALVE BRACKET	GS	4A1406-01	1				
47a	T2 SCREW	4X8	<a href="#">7P31-0408</a>	2				
48	INSULATION HOLDER	SS	3A1084-01	1				

HA

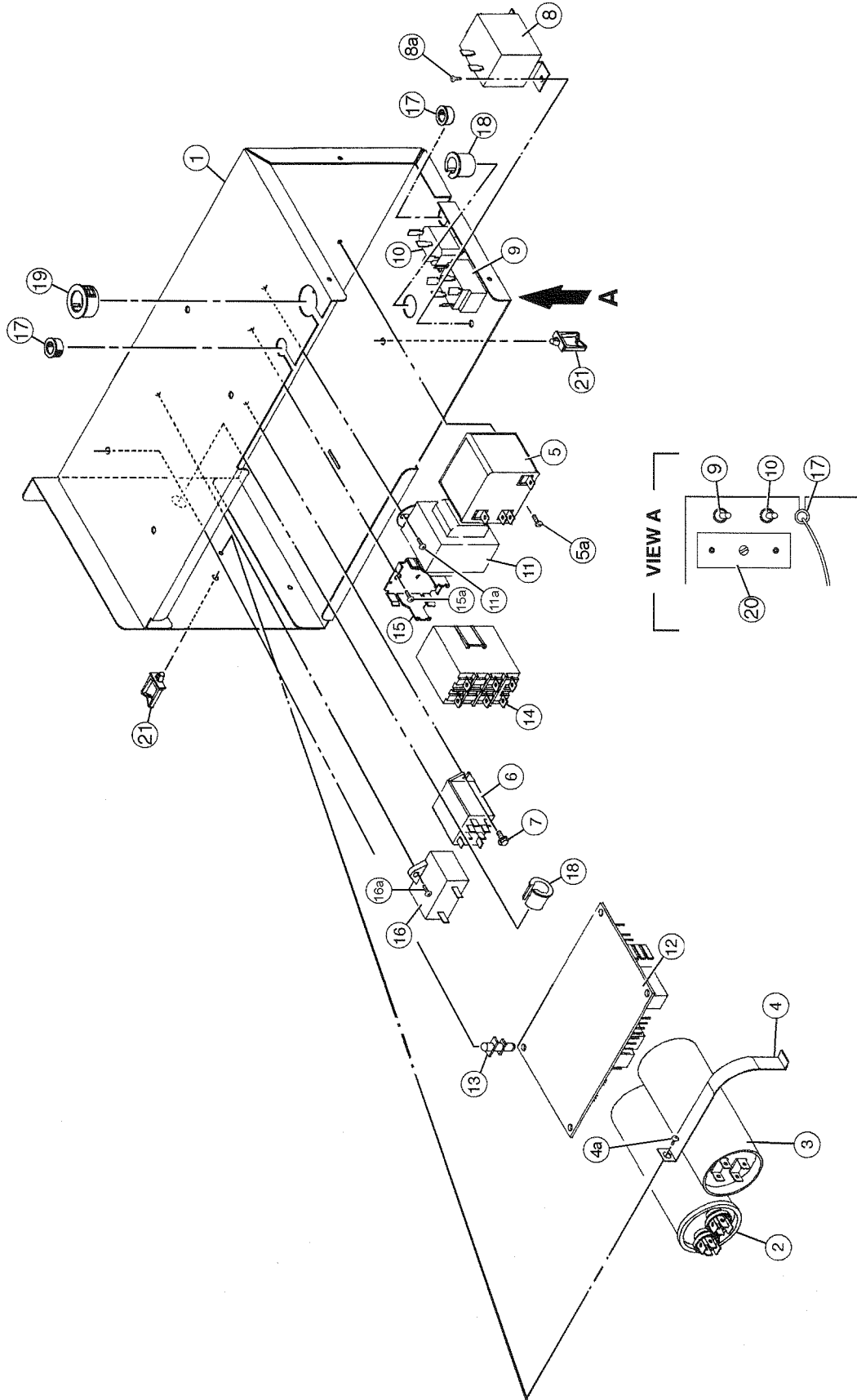
<b>MODEL: KML-350MWF</b>		<b>TITLE: B. REFRIGERATION CIRCUIT</b>						
INDEX NO.	DESCRIPTION	MATERIAL OR MODEL NUMBER	PART NUMBER	REQUIRED NUMBER				
				K-0				
48a	T2 SCREW	4X8	7P31-0408	2				
49	ELBOW	COPPER	4A1059-01	1				
50	ELBOW	COPPER	417395-03	1				
51	INSULATION TUBE	L=670	7762-1323	1				
52	ENDCAP	-	4A1413F01	2				



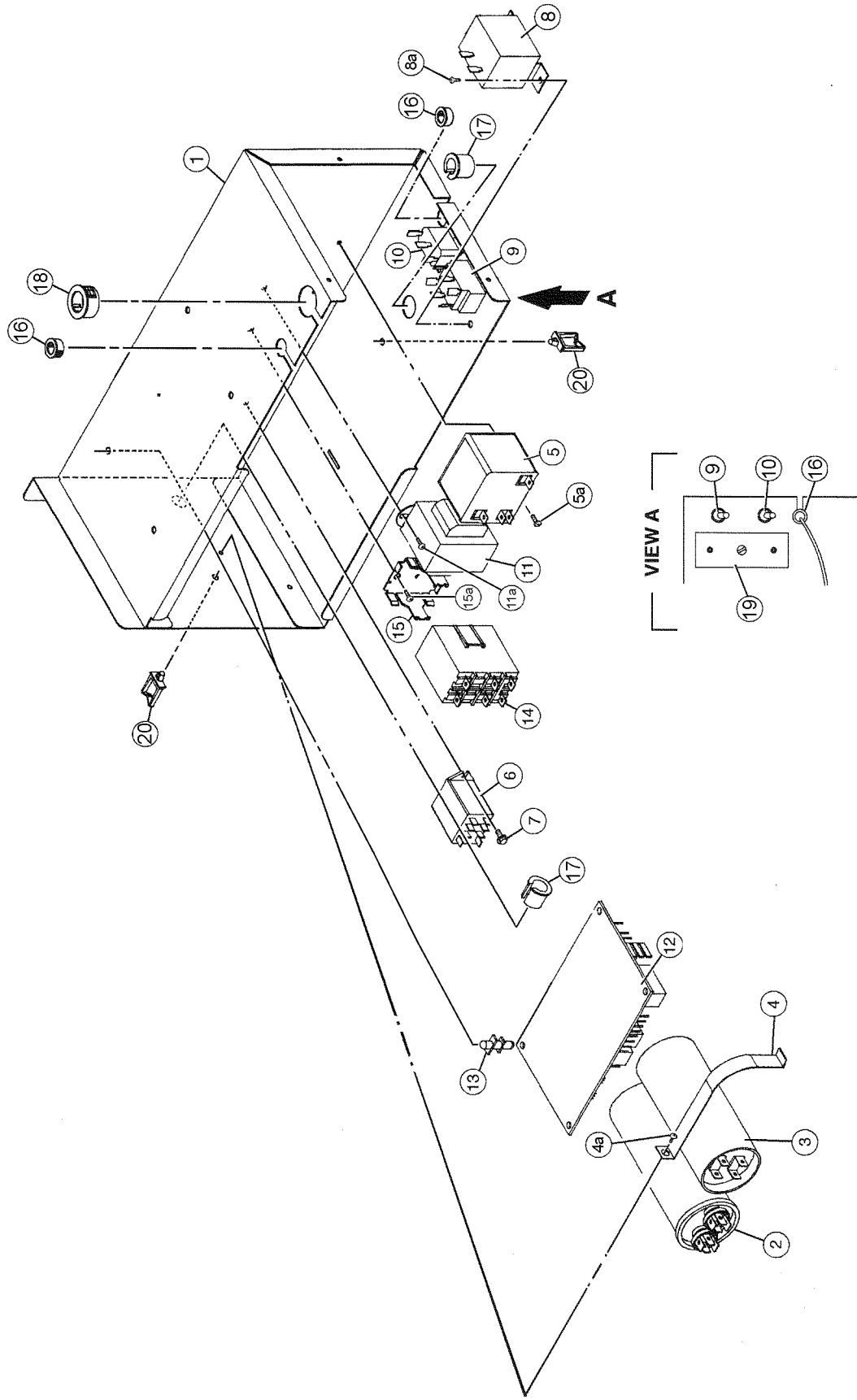


MODEL: <b>KML-350MAF, MWF</b> TITLE: <b>C. WATER CIRCUIT</b>								
INDEX NO.	DESCRIPTION	MATERIAL OR MODEL NUMBER	PART NUMBER	REQUIRED NUMBER				
				K-0				
1	WATER SUPPLY PIPE	COPPER	<a href="#">4A0768G04</a>	1				
1a	T2 SCREW	4X8	<a href="#">7P31-0408</a>	2				
2	RUBBER GASKET	NR	<a href="#">413854-03</a>	1				
3	WATER VALVE BRACKET	GS	<a href="#">321443-01</a>	1				
3a	T2 SCREW	4X8	<a href="#">7P31-0408</a>	1				
4	WATER VALVE	J248-072	<a href="#">3U0111-04</a>	1				
5	SPRAY TUBE	PE	<a href="#">1A0260-02</a>	1				
6	SPRAY GUIDE (A)	PE	<a href="#">208586-01</a>	6				
7	WATER SUPPLY TUBE	PE	<a href="#">2A0079-01</a>	1				
7a	T2 SCREW	4X8	<a href="#">7P31-0408</a>	2				
8	PLUG	EPDM	<a href="#">4A0176-01</a>	2				
9	WATER SUPPLY TEE	SANTOPRENE	<a href="#">4A1006-01</a>	1				
10	FLANGE	EPDM	<a href="#">439267-01</a>	1				
11	INSULATION (E)	PE FOAM	<a href="#">4A0392-01</a>	1				
12	ELBOW	SANTOPRENE	<a href="#">4A0393-01</a>	1				
13	CONNECTING PIPE	PE	<a href="#">3A1335-01</a>	1				
14	HOSE CLAMP	SS, 25 mm	<a href="#">427443-03</a>	3				
15	CUBE GUIDE (A)	ABS	<a href="#">2A0660-01</a>	1				
16	PUMP HOSE	EPDM	<a href="#">4A1007-01</a>	1				
17	RUBBER RING	EPDM	<a href="#">4A1004-01</a>	1				
18	BYPASS HOSE	SANTOPRENE	<a href="#">4A1005-01</a>	1				
19	HOSE CLAMP	SS, 18 mm	<a href="#">427443-05</a>	5				
20	SOLENOID VALVE	207CB-GS1873	<a href="#">439322-01</a>	2				
20a	T2 SCREW	4X8	<a href="#">7P31-0408</a>	4				
21	ARROW LABEL	PES	<a href="#">4A0096-01</a>	1				
22	SOLENOID COVER	GS	<a href="#">4A0996-01</a>	2				
22a	T2 SCREW	4X8	<a href="#">7P31-0408</a>	4				
23	PUMP	-	<a href="#">2A0749-01</a>	1				
24	FLOAT SWITCH	163795	<a href="#">4A0886-01</a>	1				
24a	T2 SCREW	4X8, SS	<a href="#">7P32-0408</a>	2				
25	FLOAT SWITCH BRACKET	ABS	<a href="#">327757-01</a>	1				

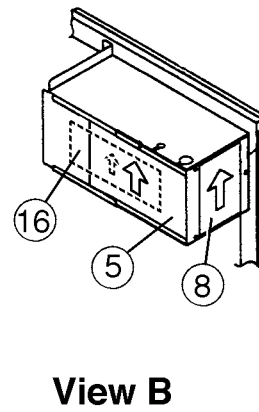
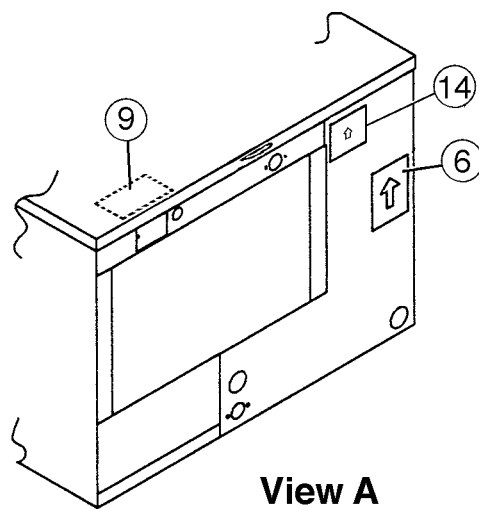
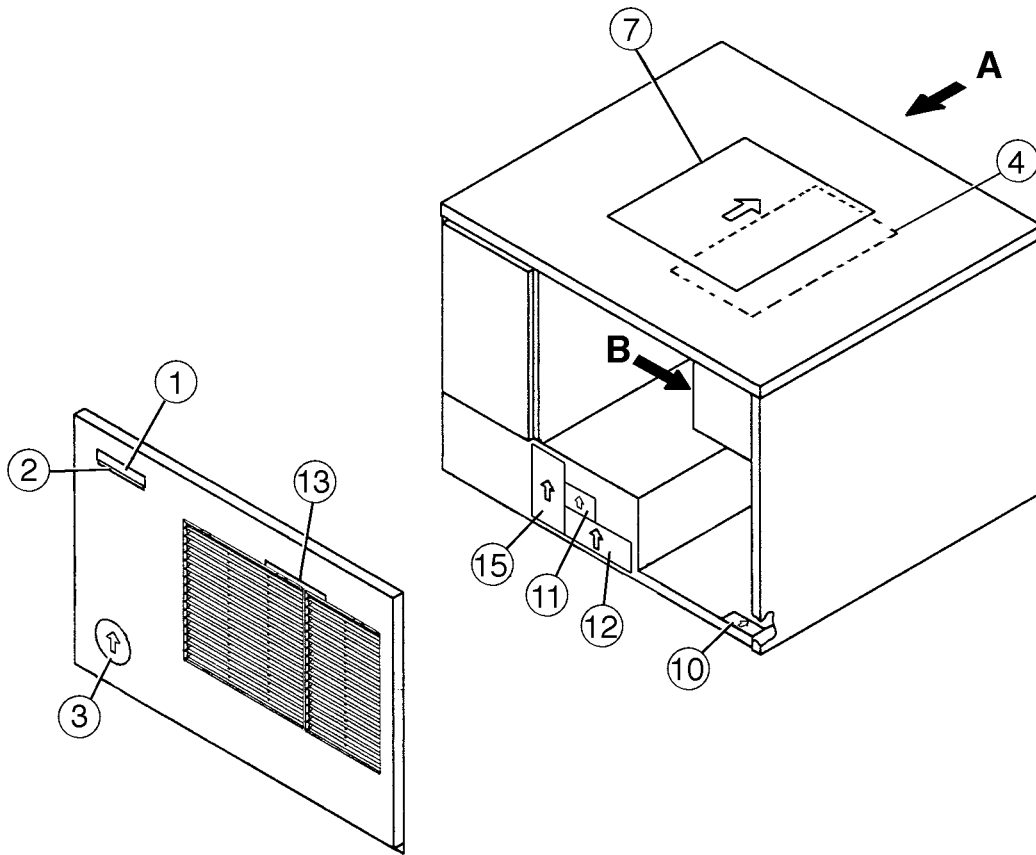
MODEL: <b>KML-350MAF, MWF</b> TITLE: <b>C. WATER CIRCUIT</b>								
INDEX NO.	DESCRIPTION	MATERIAL OR MODEL NUMBER	PART NUMBER	REQUIRED NUMBER				
				K-0				
25a	T2 SCREW	4X12, SS	<a href="#">7P32-0412</a>	2				
26	FLOAT SWITCH COVER	ABS	<a href="#">3A0665-01</a>	1				
26a	T2 SCREW	4X12, SS	<a href="#">7P32-0412</a>	2				
27	VINYL HOSE	L=150	<a href="#">7716-1216</a>	1				
28	VINYL HOSE	L=285	<a href="#">7716-1519</a>	1				
29	BUSHING	OCB-875	<a href="#">428394-04</a>	1				
30	WIRE SADDLE	VWS4238-C	<a href="#">4A0338-02</a>	8				
31	WELL NUT	347011	<a href="#">4A1070-01</a>	2				
31a	TRUSS HEAD SCREW	4X16, SS	<a href="#">7C32-0416</a>	4				
32	INSULATION (A) – PUMP BRACKET	PE FOAM	<a href="#">4A1052-01</a>	1				
33	TOOTH WASHER	ZINC, M4	<a href="#">7R21-0400</a>	1				
33a	TRUSS HEAD SCREW	4X16	<a href="#">7C31-0416</a>	1				
34	INSULATION (B) – PUMP BRACKET	PE FOAM	<a href="#">4A1053-01</a>	1				
35	HOSE CLAMP	SS, 27 mm	<a href="#">427443-08</a>	1				
36	HOSE CLAMP	SS. 20 mm	<a href="#">427443-06</a>	3				
37	INSULATION (A1) – BYPASS HOSE	NP	<a href="#">4A1259-01</a>	1				
38	INSULATION (A2) – BYPASS HOSE	NP	<a href="#">4A1260-01</a>	1				
39	DRAIN	POLYACETAL	<a href="#">309246-01</a>	1				
40	O-RING	1AP15	<a href="#">7611-P015</a>	1				



MODEL: <b>KML-350MAF</b> TITLE: <b>D. CONTROL BOX ASSEMBLY</b>								
INDEX NO.	DESCRIPTION	MATERIAL OR MODEL NUMBER	PART NUMBER	REQUIRED NUMBER				
				K-0				
1	CONTROL BOX	GS	3A0602G01	1				
2	CAPACITOR	15 $\mu$ f 370 VAC	439943-04	1				
3	CAPACITOR - STARTING	243-292 $\mu$ f 115V	<a href="#">3A0076-10</a>	1				
4	STRAP	GS	434580-10	1				
4a	T2 SCREW	4X8	<a href="#">7P31-0408</a>	1				
5	STARTER	-	<a href="#">4A1107-11</a>	1				
5a	T2 SCREW	4X8	<a href="#">7P31-0408</a>	1				
6	RELAY	LY2F 120 VAC	<a href="#">406132-07</a>	1				
7	TAPPING SCREW	3X8	<a href="#">431415-01</a>	2				
8	THERMOSTAT	A30-3815-00	4A0824-01	1				
8a	TRUSS HEAD SCREW	4X8	<a href="#">7C31-0408</a>	2				
9	TOGGLE SWITCH	7563K6	<a href="#">443119-01</a>	1				
10	TOGGLE SWITCH	8966K211	<a href="#">4A0985-01</a>	1				
11	TRANSFORMER	26D285H	<a href="#">3A0172-01</a>	1				
11a	T2 SCREW	4X8	<a href="#">7P31-0408</a>	2				
12	CONTROLLER BOARD	HOS001A	<a href="#">2A1410-01</a>	1				
13	BOARD SUPPORT	CBLS37-M	<a href="#">4A0336-03</a>	4				
14	MAGNETIC CONTACTOR	VC20	428393-01	1				
15	BRACKET	BW 9154	428393F01	1				
15a	T2 SCREW	4X8	<a href="#">7P31-0408</a>	2				
16	CAPACITOR	5 $\mu$ f 250 VAC	<a href="#">443192-02</a>	1				
16a	T2 SCREW	4X8	<a href="#">7P31-0408</a>	1				
17	BUSHING	OCB-500	<a href="#">428394-02</a>	2				
18	BUSHING	OCB-625	428394-03	2				
19	BUSHING	OCB-875	<a href="#">428394-04</a>	1				
20	CONTROL LABEL	PES FILM	<a href="#">4A1758-01</a>	1				
21	WIRE SADDLE	VWS4238-C	<a href="#">4A0338-02</a>	2				

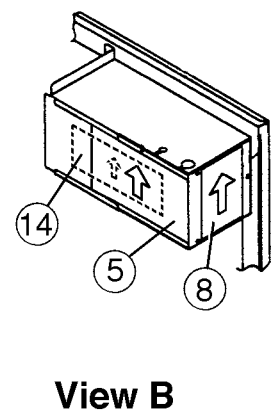
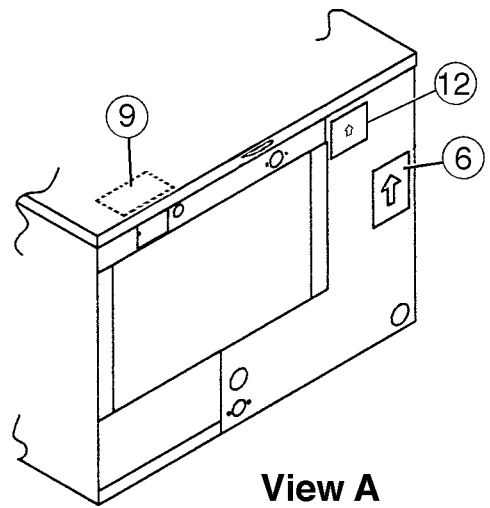
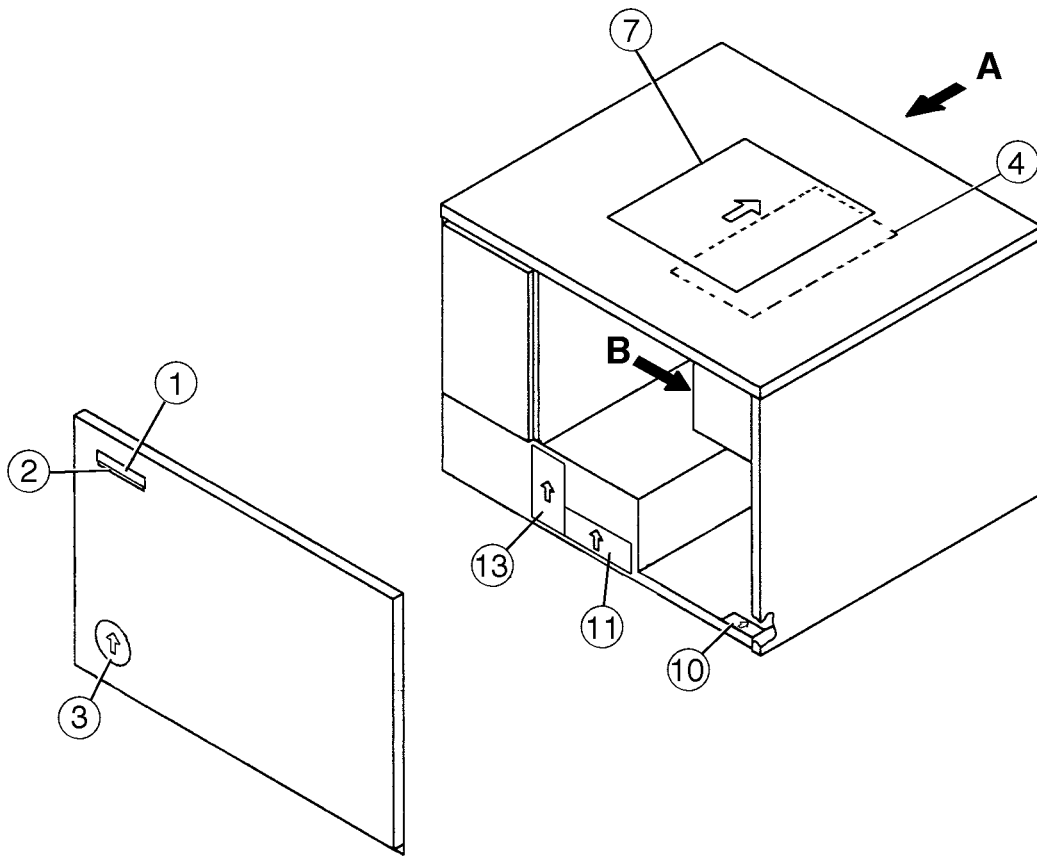


MODEL: <b>KML-350MMF</b> TITLE: <b>D. CONTROL BOX ASSEMBLY</b>								
INDEX NO.	DESCRIPTION	MATERIAL OR MODEL NUMBER	PART NUMBER	REQUIRED NUMBER				
				K-0				
1	CONTROL BOX	GS	3A0602G01	1				
2	CAPACITOR	15µf 370 VAC	439943-04	1				
3	CAPACITOR - STARTING	243-292µf 115V	<a href="#">3A0076-10</a>	1				
4	STRAP	GS	434580-12	1				
4a	T2 SCREW	4X8	<a href="#">7P31-0408</a>	1				
5	STARTER	-	<a href="#">4A1107-11</a>	1				
5a	T2 SCREW	4X8	<a href="#">7P31-0408</a>	1				
6	RELAY	LY2F 120 VAC	<a href="#">406132-07</a>	1				
7	TAPPING SCREW	3X8	<a href="#">431415-01</a>	2				
8	THERMOSTAT	A30-3815-00	4A0824-01	1				
8a	TRUSS HEAD SCREW	4X8	<a href="#">7C31-0408</a>	2				
9	TOGGLE SWITCH	7563K6	<a href="#">443119-01</a>	1				
10	TOGGLE SWITCH	8966K211	<a href="#">4A0985-01</a>	1				
11	TRANSFORMER	26D285H	<a href="#">3A0172-01</a>	1				
11a	T2 SCREW	4X8	<a href="#">7P31-0408</a>	2				
12	CONTROLLER BOARD	HOS001A	<a href="#">2A1410-01</a>	1				
13	BOARD SUPPORT	CBLS37-M	<a href="#">4A0336-03</a>	4				
14	MAGNETIC CONTACTOR	VC20	428393-01	1				
15	BRACKET	BW 9154	428393F01	1				
15a	T2 SCREW	4X8	<a href="#">7P31-0408</a>	2				
16	BUSHING	OCB-500	<a href="#">428394-02</a>	2				
17	BUSHING	OCB-625	428394-03	2				
18	BUSHING	OCB-875	<a href="#">428394-04</a>	1				
19	CONTROL LABEL	PES FILM	<a href="#">4A1758-01</a>	1				
20	WIRE SADDLE	VWS4238-C	<a href="#">4A0338-02</a>	2				

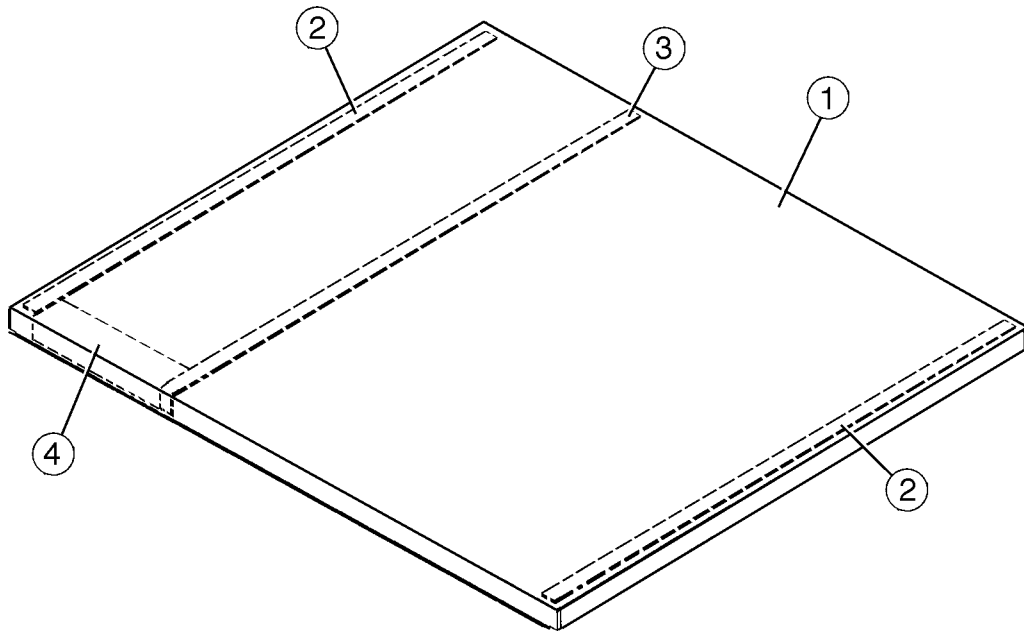


MODEL: <b>KML-350MAF</b> TITLE: <b>E. LABEL LOCATION</b>								
INDEX NO.	DESCRIPTION	MATERIAL OR MODEL NUMBER	PART NUMBER	REQUIRED NUMBER				
				K-0				
1	EMBLEM	PETP FILM	<a href="#">4A0560-01</a>	1				
2	MODEL NUMBER LABEL	PETP FILM	4A1233-59	1				
3	LABEL - PENGUIN - HA (R)	PETP FILM	<a href="#">4A0526-01</a>	1				
4	MAINTENANCE LABEL	PVC FILM	3A1696-01	1				
5	WIRING LABEL	PVC FILM	3A1318-01	1				
6	NAMEPLATE	PES FILM	4A1888-01	1				
7	INSTRUCTION SHEET	PAPER	2A1253-01	1				
8	MANUAL LABEL	PVC FILM	4A1090-01	1				
9	TAG - WARNING: ELECTRICAL CONNECTION	PAPER	<a href="#">435005-01</a>	1				
10	LABEL – R404A	PES FILM	<a href="#">4A0960-01</a>	1				
11	CAUTION LABEL (F)	PVC FILM	<a href="#">439146-01</a>	1				
12	CAUTION LABEL (K)	PVC FILM	<a href="#">439150-01</a>	1				
13	LABEL - AIR FILTER	PETP FILM	<a href="#">426177-01</a>	1				
14	INSTRUCTION LABEL	PVC FILM	<a href="#">444575-01</a>	1				
15	RATING LABEL	PES FILM	4A1889-01	1				
16	LABEL- CONTROL BOARD	PVC FILM	<a href="#">3A1272-01</a>	1				



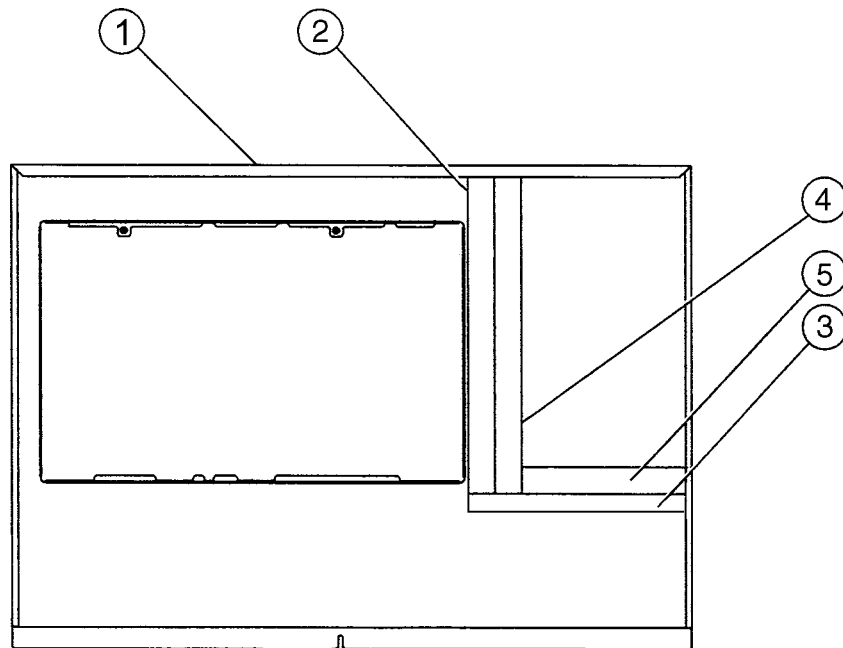


MODEL: <b>KML-350MWF</b> TITLE: <b>E. LABEL LOCATION</b>								
INDEX NO.	DESCRIPTION	MATERIAL OR MODEL NUMBER	PART NUMBER	REQUIRED NUMBER				
				K-0				
1	EMBLEM	PETP FILM	<a href="#">4A0560-01</a>	1				
2	MODEL NUMBER LABEL	PETP FILM	4A1233-60	1				
3	LABEL - PENGUIN - HA (R)	PETP FILM	<a href="#">4A0526-01</a>	1				
4	MAINTENANCE LABEL	PVC FILM	3A1696-01	1				
5	WIRING LABEL	PVC FILM	3A1318-01	1				
6	NAMEPLATE	PES FILM	4A1890-01	1				
7	INSTRUCTION SHEET	PAPER	2A1253-01	1				
8	MANUAL LABEL	PVC FILM	4A1090-01	1				
9	TAG - WARNING: ELECTRICAL CONNECTION	PAPER	<a href="#">435005-01</a>	1				
10	LABEL – R404A	PES FILM	<a href="#">4A0960-01</a>	1				
11	CAUTION LABEL (K)	PVC FILM	<a href="#">439150-01</a>	1				
12	INSTRUCTION LABEL	PVC FILM	<a href="#">444575-01</a>	1				
13	RATING LABEL	PES FILM	4A1891-01	1				
14	LABEL-CONTROL BOARD	PES FILM	<a href="#">3A1272-01</a>	1				

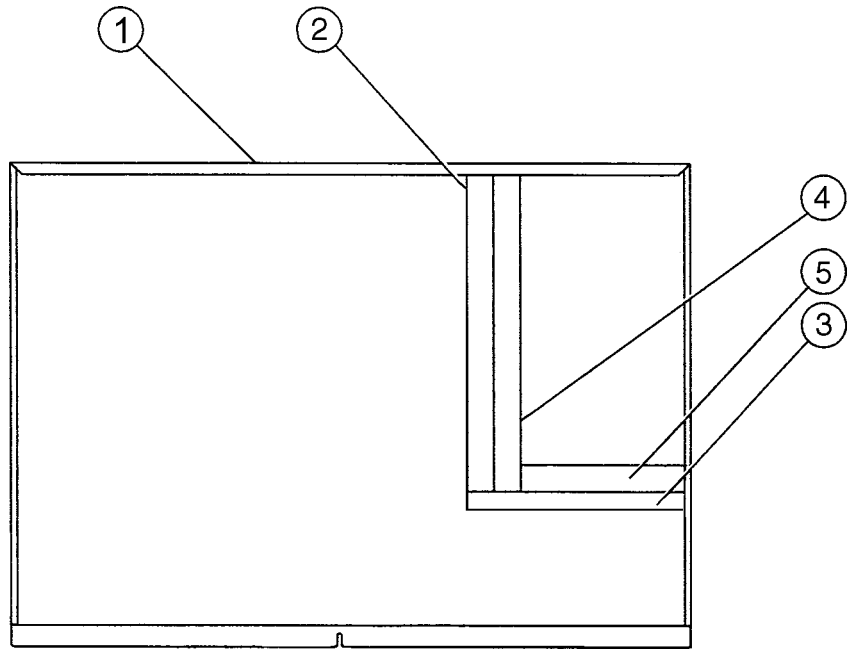


HA

MODEL: KML-350MAF, MWF TITLE: F. TOP PANEL ASSEMBLY								
INDEX NO.	DESCRIPTION	MATERIAL OR MODEL NUMBER	PART NUMBER	REQUIRED NUMBER				
				K-0				
1	TOP PANEL	SS	213543-01	1				
2	GASKET	PVC	427014-04	2				
3	GASKET (A)	NORMOUNT V710	324859-03	1				
4	INSULATION	PE FOAM	438012-01	1				

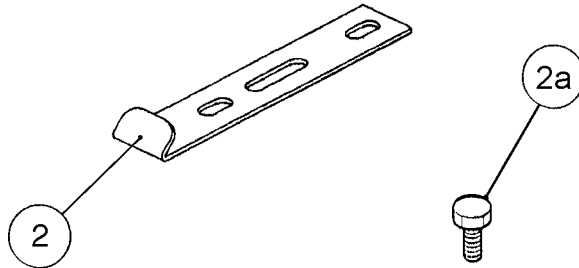
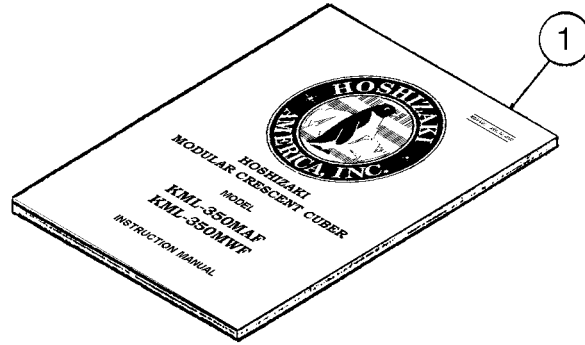


MODEL: <b>KML-350MAF</b> TITLE: <b>G. FRONT PANEL ASSEMBLY</b>								
INDEX NO.	DESCRIPTION	MATERIAL OR MODEL NUMBER	PART NUMBER	REQUIRED NUMBER				
				K-0				
1	FRONT PANEL (A)	SS	2A1455-01	1				
2	FOAM SEAL	L=370	<a href="#">4A0661L01</a>	1				
3	FOAM SEAL	L=250	<a href="#">4A0661L01</a>	1				
4	FOAM SEAL	L=370	<a href="#">4A1163L01</a>	1				
5	FOAM SEAL	L=190	<a href="#">4A1163L01</a>	1				



MODEL: <b>KML-350MWF</b> TITLE: <b>G. FRONT PANEL ASSEMBLY</b>								
INDEX NO.	DESCRIPTION	MATERIAL OR MODEL NUMBER	PART NUMBER	REQUIRED NUMBER				
				K-0				
1	FRONT PANEL (A)	SS	2A1454-01	1				
2	FOAM SEAL	L=370	4A0661L01	1				
3	FOAM SEAL	L=250	4A0661L01	1				
4	FOAM SEAL	L=370	4A1163L01	1				
5	FOAM SEAL	L=190	4A1163L01	1				





MODEL: <b>KML-350MAF, MWF</b> TITLE: <b>H. ACCESSORIES</b>								
INDEX NO.	DESCRIPTION	MATERIAL OR MODEL NUMBER	PART NUMBER	REQUIRED NUMBER				
				K-0				
1	INSTRUCTION MANUAL	PAPER	91A1CC10A	1				
2	UNIVERSAL BRACE	GS	4A0363-01	2				
2a	HEX HEAD BOLT	5X12, SS	7B02-0512	2				