

---

NO. 71145

ISSUED: OCT. 12, 1999

REVISED: AUG. 2, 2002

---



**HOSHIZAKI  
MODULAR CRESCENT CUBER**

**MODEL**

**KML-600MAF**

**KML-600MWF**

**KML-600MRF**

**(FINAL) PARTS LIST**

**KML-600MAF**

J-0 APRIL 1999  
K-0 JAN. 2000  
L-0 DEC. 2000

**KML-600MWF**

J-0 MAY 1999  
K-0 DEC. 1999  
L-0 JAN. 2001

**KML-600MRF**

J-0 JUNE 1999  
K-0 DEC. 1999  
L-0 FEB. 2001

## MATERIAL ABBREVIATIONS

### ALUMINUM

AL = Aluminum

### COPPER

CU = Copper

### PLASTIC

ABS = Acrylonitrile -butadiene - styrene  
 AC = Polyacetal  
 EVA = Ethylene vinyl acetate  
 PA = Polyamide = Nylon  
 PC = Polycarbonate  
 PE = Polyethylene  
 PES = Polyester  
 PETP = Polyethylene terephthalate = Tetlon  
 PP = Polypropylene  
 PS = Polystyrene  
 PIFE = Polytetrafluoroethylene = Teflon  
 PUR = Polyurethane  
 PVC = Polyvinyl chloride

### RUBBER

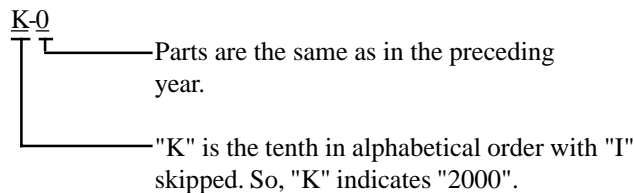
VN = Vinyl Nitrile  
 EPDM = EP rubber  
 NBR = Nitrile butadiene rubber  
 NR = Natural rubber  
 NP = Neoprene  
 SIR = Silicone rubber  
 SYR = Synthetic rubber  
 EPH = Epichlorohydrin

### STEEL

GS = Galvanized steel  
 SS = Stainless steel  
 PS = Plated steel  
 PAS = Primed steel

## AUXILIARY CODE

Ex.1

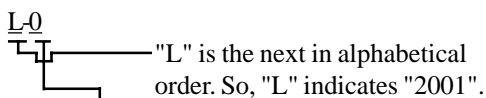


(Note) - = Part deleted.

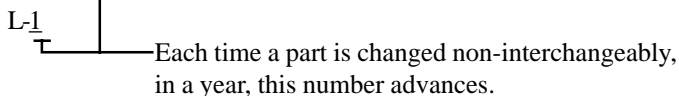
x = Part deleted and replaced by "o" part.

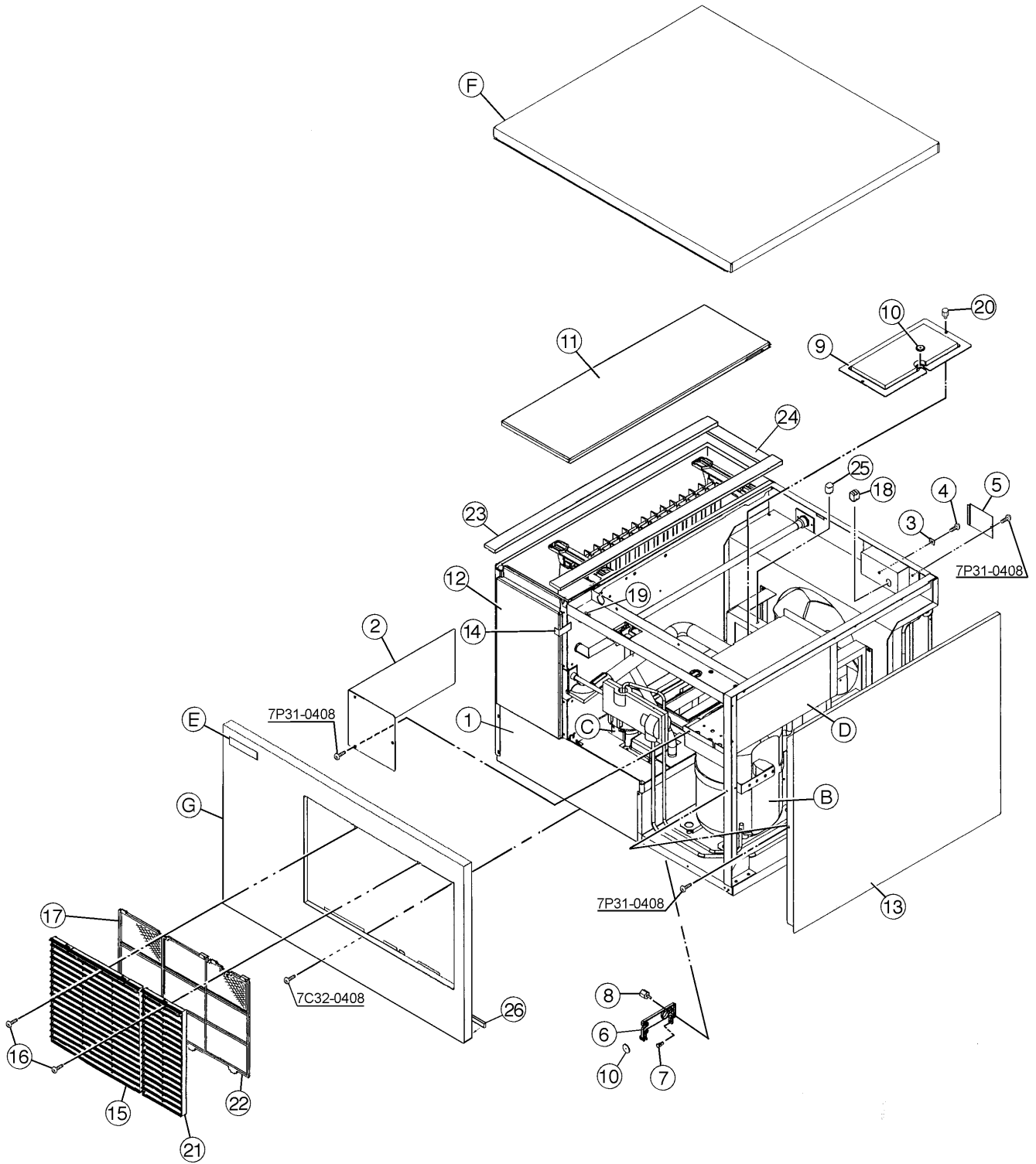
o = New part for "x" in the same auxiliary code.

Ex.2



Ex.3

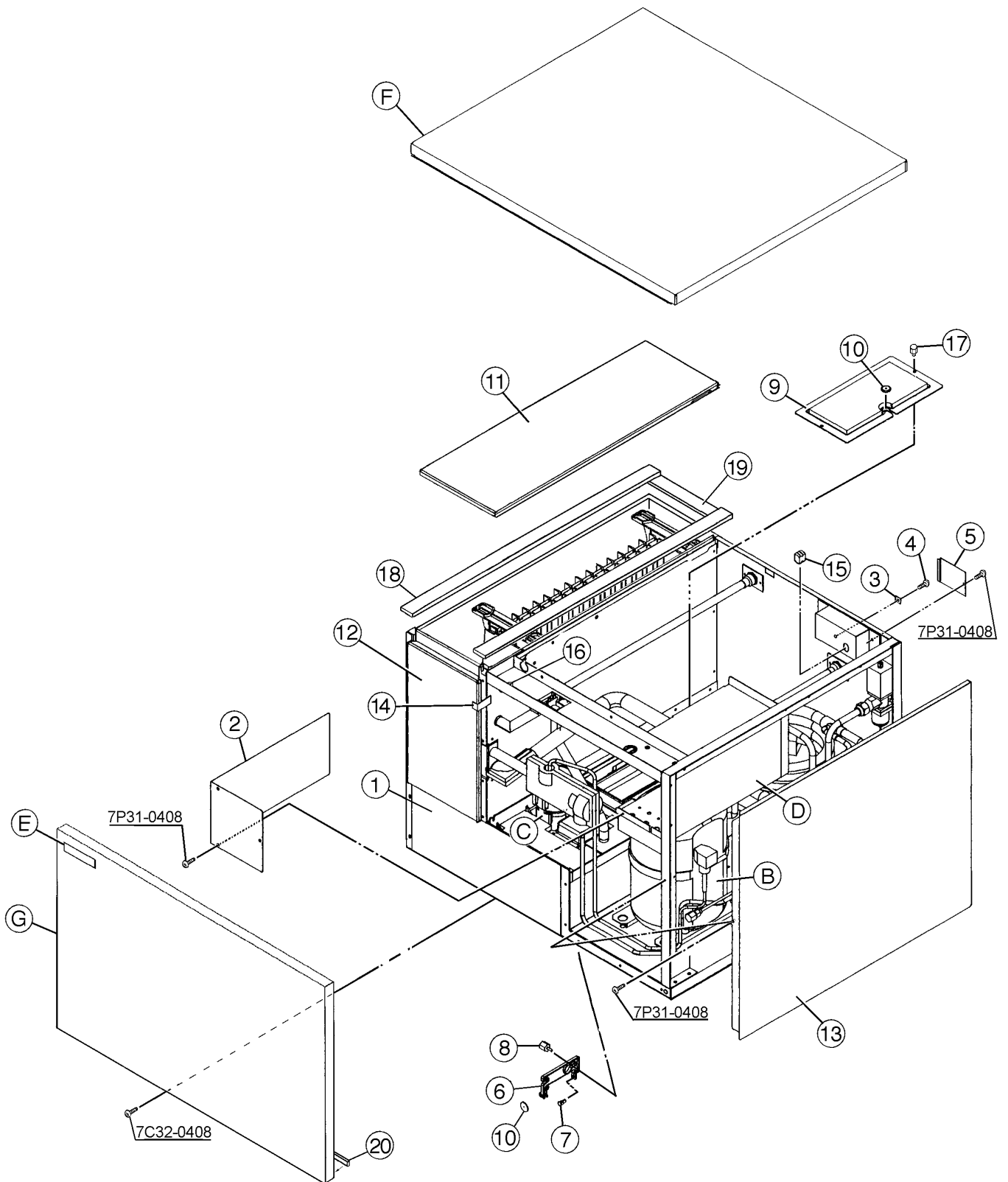




HA

MODEL: <b>KML-600MAF</b> TITLE: <b>A. ICE CUBER ASSEMBLY</b>								
INDEX NO.	DESCRIPTION	MATERIAL OR MODEL NUMBER	PART NUMBER	REQUIRED NUMBER				
				J-0	K-0	L-0		
B	REFRIGERATION CIRCUIT	-	1A0280A01	1	1	1		
C	WATER CIRCUIT	HS-1202	2A1195A02	1	1	1		
D	CONTROL BOX ASSEMBLY	HS-1106	2A0657A09	1	1	1		
	T2 SCREW	4 X 8	7P31-0408	3	3	3		
E	LABEL LOCATION	-	3A1077A01	1	1	1		
F	TOP PANEL ASSEMBLY	-	3A0674A01	1	1	1		
G	FRONT PANEL	-	3A1083A01	1	1	1		
	TRUSS HEAD SCREW	4 X 8, SS	7C32-0408	1	1	1		
1	EVAPORATOR CASE	HS-1007	2A1179G02	1	1	1		
2	CONTROL BOX COVER	GS	3A0594-01	1	1	1		
	T2 SCREW	4 X 8	7P31-0408	3	3	3		
3	SQUARE WASHER	BRASS	433537-02	1	1	1		
4	SCREW - GROUNDING	BRASS	433304-02	1	1	1		
5	JUNCTION BOX COVER	GS	433410-01	1	1	1		
	T2 SCREW	4 X 8	7P31-0408	1	1	1		
6	THERMOSTAT EXTENSION BRACKET	SS	4A1722-01	1	1	1		
7	SPACER	PE	443545-01	1	1	1		
8	THUMBSCREW	SS, ABS	415949G03	2	2	2		
9	BIN CONTROL COVER	GS	3A0664G01	1	1	1		
10	CAPILLARY RING	EP RUBBER	425307-01	2	2	2		
11	TOP INSULATION	PP	215730G01	1	1	1		
12	FRONT INSULATION	PP	2A0664G02	1	1	1		
13	SIDE PANEL (R)	SS	2A1198G01	1	1	1		
	T2 SCREW	4 X 8, SS	7P32-0408	1	1	1		
14	BARRIER - INSULATION	GS	4A1167-01	1	1	1		
	T2 SCREW	4 X 8	7P31-0408	2	2	2		
15	LOUVER (B)	ABS	103121-05	1	1	1		
16	TAPPING SCREW (BLACK)	STEEL, 4 X 8	433954-01	2	2	2		





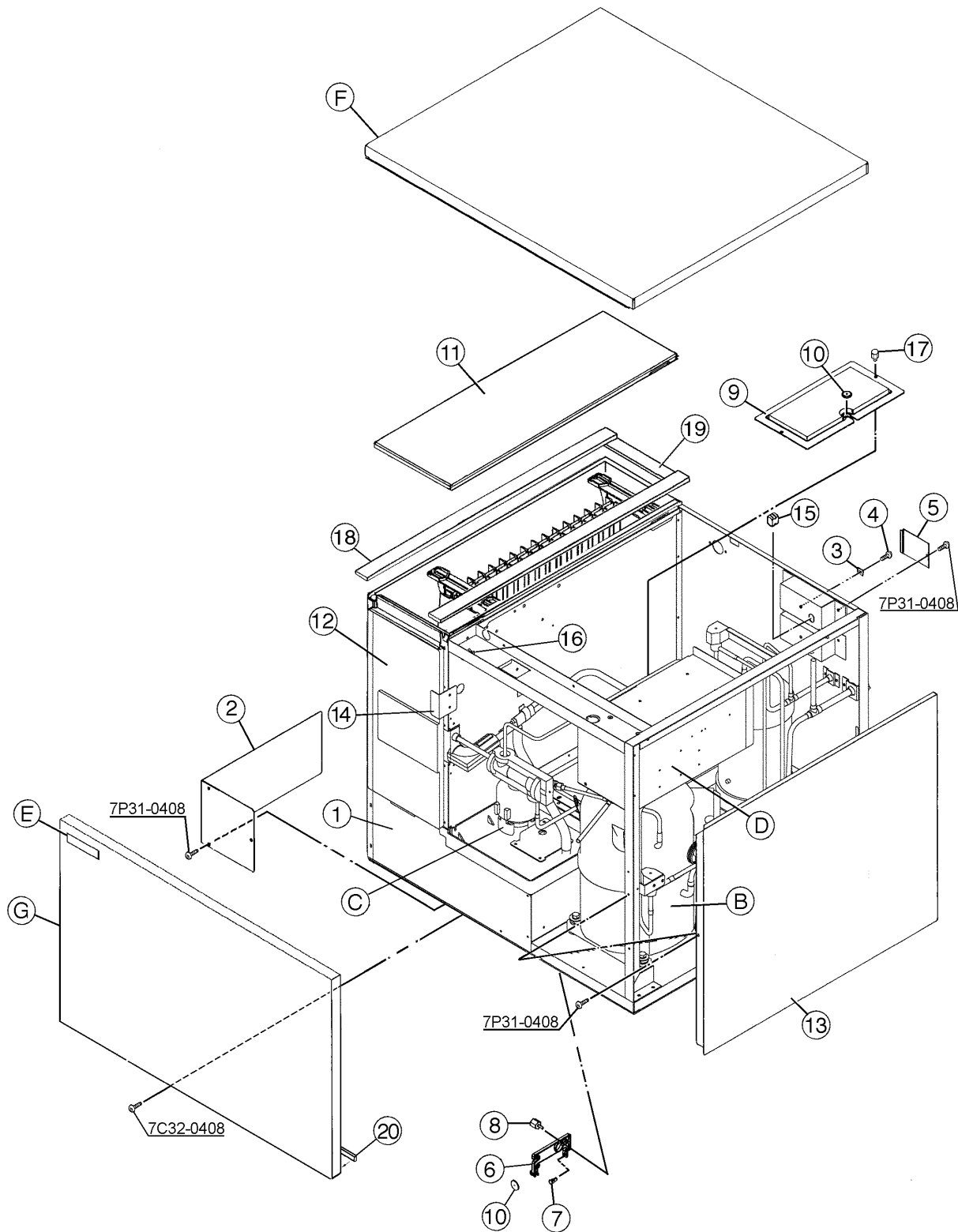
HA

MODEL: <b>KML-600MWF</b> TITLE: <b>A. ICE CUBER ASSEMBLY</b>								
INDEX NO.	DESCRIPTION	MATERIAL OR MODEL NUMBER	PART NUMBER	REQUIRED NUMBER				
				J-0	K-0	L-0		
B	REFRIGERATION CIRCUIT	-	1A0300A01	1	1	1		
C	WATER CIRCUIT	HS-1202	2A1195A02	1	1	1		
D	CONTROL BOX ASSEMBLY	HS-1107	2A0657A10	1	1	1		
	T2 SCREW	4 X 8	<a href="#">7P31-0408</a>	3	3	3		
E	LABEL LOCATION	-	3A1079A01	1	1	1		
F	TOP PANEL ASSEMBLY	-	3A0674A01	1	1	1		
G	FRONT PANEL	-	<a href="#">3A1083A02</a>	1	1	1		
	TRUSS HEAD SCREW	4 X 8, SS	<a href="#">7C32-0408</a>	1	1	1		
1	EVAPORATOR CASE	HS-1007	2A1179G02	1	1	1		
2	CONTROL BOX COVER	GS	3A0594-01	1	1	1		
	T2 SCREW	4 X 8	<a href="#">7P31-0408</a>	3	3	3		
3	SQUARE WASHER	BRASS	433537-02	1	1	1		
4	SCREW - GROUNDING	BRASS	<a href="#">433304-02</a>	1	1	1		
5	JUNCTION BOX COVER	GS	<a href="#">433410-01</a>	1	1	1		
	T2 SCREW	4 X 8	<a href="#">7P31-0408</a>	1	1	1		
6	THERMOSTAT EXTENSION BRACKET	SS	4A1722-01	1	1	1		
7	SPACER	PE	<a href="#">443545-01</a>	1	1	1		
8	THUMBSCREW	SS, ABS	<a href="#">415949G03</a>	2	2	2		
9	BIN CONTROL COVER	GS	<a href="#">3A0664G01</a>	1	1	1		
10	CAPILLARY RING	EP RUBBER	<a href="#">425307-01</a>	2	2	2		
11	TOP INSULATION	PP	<a href="#">215730G01</a>	1	1	1		
12	FRONT INSULATION	PP	<a href="#">2A0664G02</a>	1	1	1		
13	SIDE PANEL (R)	SS	<a href="#">2A1198G01</a>	1	1	1		
	T2 SCREW	4 X 8, SS	<a href="#">7P32-0408</a>	1	1	1		
14	BARRIER - INSULATION	GS	<a href="#">4A1167-01</a>	1	1	1		
	T2 SCREW	4 X 8, SS	<a href="#">7P32-0408</a>	2	2	2		
15	BUSHING	SR-30-1	<a href="#">420472-03</a>	1	1	1		



HA

MODEL: KML-600MWF TITLE: A. ICE CUBER ASSEMBLY								
INDEX NO.	DESCRIPTION	MATERIAL OR MODEL NUMBER	PART NUMBER	REQUIRED NUMBER				
				J-0	K-0	L-0		
16	WIRE SADDLE	VWS4238-C	<a href="#">4A0338-02</a>	2	2	2		
17	THUMBSCREW	SS, ABS	415949G04	2	2	2		
18	GASKET	L=655	<a href="#">4A0808L02</a>	2	2	2		
19	GASKET	L=190	<a href="#">4A0808L02</a>	1	1	1		
20	GASKET	L=762	<a href="#">4A0808L02</a>		1	1		



HA

MODEL: <b>KML-600MRF</b> TITLE: <b>A. ICE CUBER ASSEMBLY</b>								
INDEX NO.	DESCRIPTION	MATERIAL OR MODEL NUMBER	PART NUMBER	REQUIRED NUMBER				
				J-0	K-0	L-0		
B	REFRIGERATION CIRCUIT	-	1A0281A01	1	1	1		
C	WATER CIRCUIT	HS-1202	2A1195A02	1	1	1		
D	CONTROL BOX ASSEMBLY	HS-1107	2A0657A10	1	1	1		
	T2 SCREW	4 X 8	<a href="#">7P31-0408</a>	3	3	3		
E	LABEL LOCATION	-	3A1078A01	1	1	1		
F	TOP PANEL ASSEMBLY	-	3A0674A01	1	1	1		
G	FRONT PANEL	-	<a href="#">3A1083A02</a>	1	1	1		
	TRUSS HEAD SCREW	4 X 8, SS	<a href="#">7C32-0408</a>	1	1	1		
1	EVAPORATOR CASE	HS-1007	2A1179G02	1	1	1		
2	CONTROL BOX COVER	GS	3A0594-01	1	1	1		
	T2 SCREW	4 X 8	<a href="#">7P31-0408</a>	3	3	3		
3	SQUARE WASHER	BRASS	433537-02	1	1	1		
4	SCREW - GROUNDING	BRASS	<a href="#">433304-02</a>	2	2	2		
5	JUNCTION BOX COVER	GS	<a href="#">433410-01</a>	2	2	2		
	T2 SCREW	4 X 8	<a href="#">7P31-0408</a>	2	2	2		
6	THERMOSTAT EXTENSION BRACKET	SS	4A1722-01	1	1	1		
7	SPACER	PE	<a href="#">443545-01</a>	1	1	1		
8	THUMBSCREW	SS, ABS	<a href="#">415949G03</a>	2	2	2		
9	BIN CONTROL COVER	GS	<a href="#">3A0664G01</a>	1	1	1		
10	CAPILLARY RING	EP RUBBER	<a href="#">425307-01</a>	2	2	2		
11	TOP INSULATION	PP	<a href="#">215730G01</a>	1	1	1		
12	FRONT INSULATION	PP	<a href="#">2A0664G02</a>	1	1	1		
13	SIDE PANEL (R)	SS	<a href="#">2A1198G01</a>	1	1	1		
	T2 SCREW	4 X 8, SS	<a href="#">7P32-0408</a>	1	1	1		
14	BARRIER - INSULATION	GS	<a href="#">4A1167-01</a>	1	1	1		
	T2 SCREW	4 X 8, SS	<a href="#">7P32-0408</a>	2	2	2		
15	BUSHING	SR-30-1	<a href="#">420472-03</a>	1	1	1		

HA

MODEL: KML-600MRF TITLE: A. ICE CUBER ASSEMBLY								
INDEX NO.	DESCRIPTION	MATERIAL OR MODEL NUMBER	PART NUMBER	REQUIRED NUMBER				
				J-0	K-0	L-0		
16	WIRE SADDLE	VWS4238-C	<a href="#">4A0338-02</a>	2	2	2		
17	THUMBSCREW	SS, ABS	415949G04	2	2	2		
18	GASKET	L=655	<a href="#">4A0808L02</a>	2	2	2		
19	GASKET	L=190	<a href="#">4A0808L02</a>	1	1	1		
20	GASKET	L=762	<a href="#">4A0808L02</a>		1	1		



HA

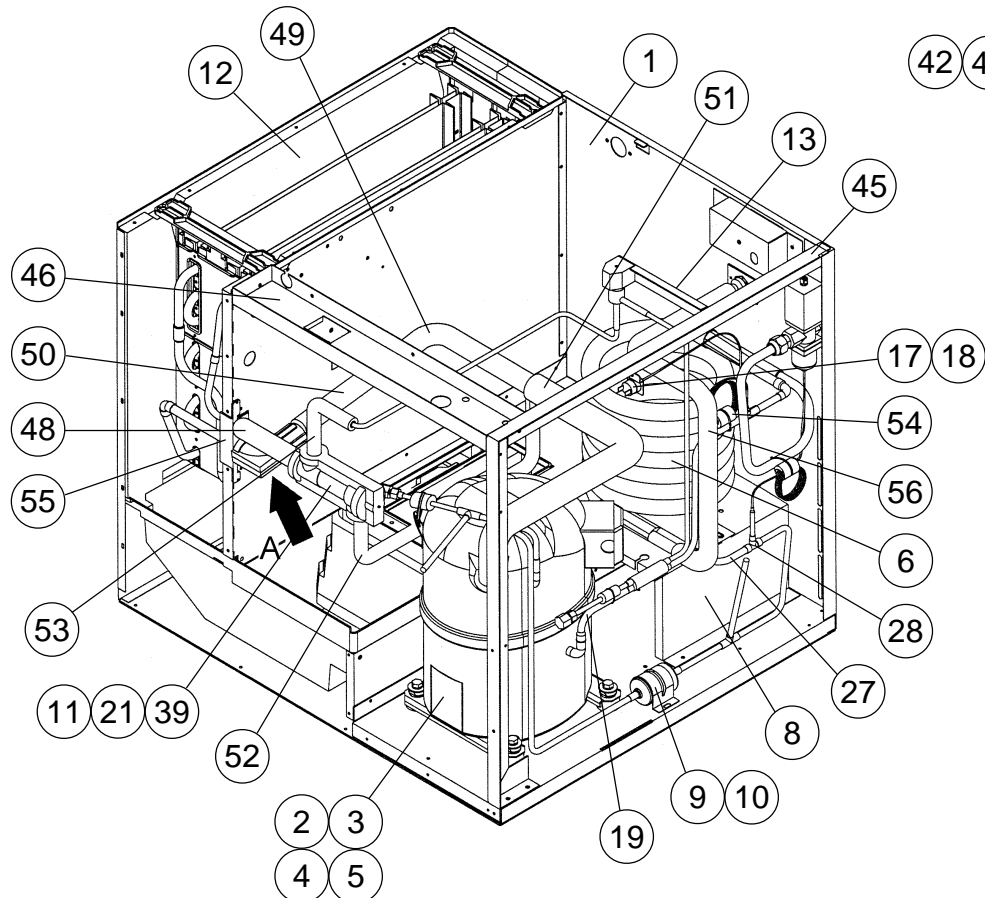
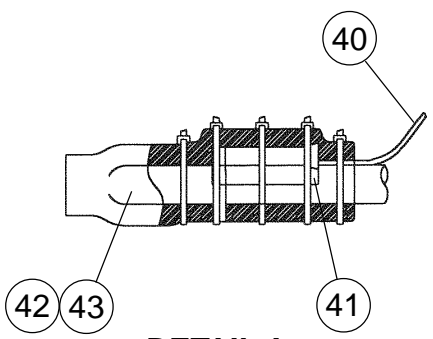
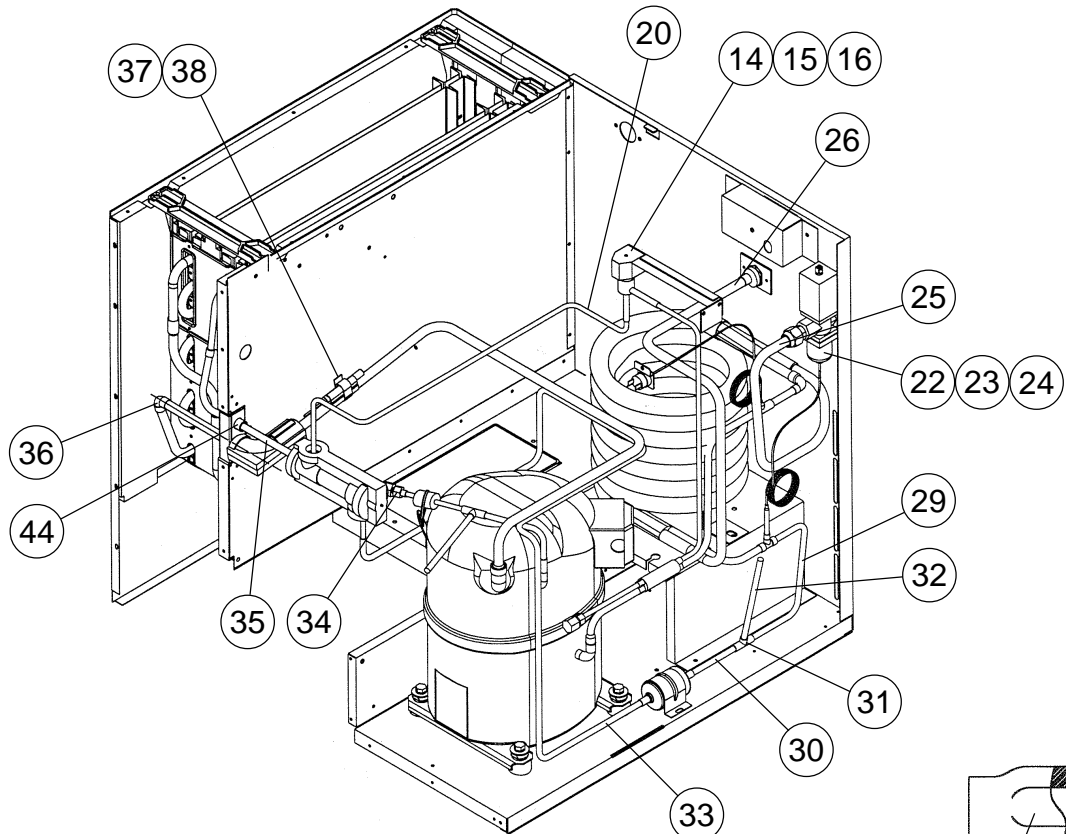
MODEL: <b>KML-600MAF</b> TITLE: <b>B. REFRIGERATION CIRCUIT</b>								
INDEX NO.	DESCRIPTION	MATERIAL OR MODEL NUMBER	PART NUMBER	REQUIRED NUMBER				
				J-0	K-0	L-0		
1	CONDENSER SUPPORT	GS	3A0589-01	1	1	1		
	T2 SCREW	4 X 8	7P31-0408	5	5	5		
2	CONDENSER	HEATCRAFT	1A0261-01	1	1	1		
	T2 SCREW	4 X 8	7P31-0408	3	3	3		
3	BARRIER	GS	4A1496-01	1	1	1		
	T2 SCREW	4 X 8	7P31-0408	2	2	2		
4	SHROUD	GS	3A1027G01	1	1	1		
	T2 SCREW	4 X 8	7P31-0408	5	5	5		
5	COMPRESSOR	CS10K6E-PFV-237	4A1539-01	1	1	1		
6	BOLT	8 x 45	437889-01	4	4	4		
7	SPACER	028-0188-02	434921-01	4	4	4		
8	GROMMET	027-0167-00	434922-01	4	4	4		
9	FAN MOTOR BRACKET	GS	2A0181-01	1	1	1		
	HEX HEAD BOLT W/WASHER (LF)	5X12	7B0130512	4	4	4		
10	FAN MOTOR	U90B1 7190-1031	440911-01	1	1	1		
	SELF LOCKING NUT	NO. 8-32	7N2110832	4	4	4		
11	FAN BLADE	AD10CW32	444898-01	1	1	1		
12	DRIER	CW-0325-S	4A1413-01	1	1	1		
13	DRIER BRACKET	GS	4A0807-01	1	1	1		
	T2 SCREW	4X8	7P31-0408	2	2	2		
14	EXP. VALVE	HFE-15 NHD-2	4A1482-01	1	1	1		
15	EVAPORATOR	-	106492G01	1	1	1		
	T2 SCREW	4X16, SS	7P32-0416	4	4	4		
16	HOT GAS VALVE BRACKET	GS	4A1999-01	1	1	1		
	T2 SCREW	4X8	7P31-0408	2	2	2		
17	VALVE BODY	70	440352-01	1	1	1		
18	COIL-VALVE	ABS-25-1-HD-2	440353-01	1	1	1		
19	BOLT	M4 X 0.7	440353F01	1	1	1		
	TRUSS HEAD SCREW	4X8	7C31-0408	2	2	2		

HA

MODEL: <b>KML-600MAF</b> TITLE: <b>B. REFRIGERATION CIRCUIT</b>								
INDEX NO.	DESCRIPTION	MATERIAL OR MODEL NUMBER	PART NUMBER	REQUIRED NUMBER				
				J-0	K-0	L-0		
20	PRESSURE SWITCH	ACB-1UB09	<a href="#">433441-07</a>	1	1	1		
21	PRESSURE SWITCH BRACKET	GS	<a href="#">434938-01</a>	1	1	1		
	T2 SCREW	4X8	<a href="#">7P31-0408</a>	1	1	1		
22	COPPER TUBE-HIGH SIDE	COPPER	<a href="#">1A0264G01</a>	1	1	1		
23	COPPER TUBE (D)-HIGH SIDE	COPPER	4A0991-01	1	1	1		
24	TEE	COPPER	<a href="#">420041-11</a>	1	1	1		
25	EVACUATION TUBE	COPPER	4A1212-02	1	1	1		
26	COPPER TUBE (D2)-HIGH SIDE	COPPER	4A1213-01	1	1	1		
27	HEAT EXCHANGER	COPPER	1A0256G01	1	1	1		
28	COPPER TUBE (C) -HOT GAS	COPPER	3A1024-01	1	1	1		
29	TEE	COPPER	<a href="#">436000-08</a>	1	1	1		
30	COPPER TUBE (A)-LOW SIDE	COPPER	4A1515-01	1	1	1		
31	ELBOW	COPPER	<a href="#">417395-03</a>	1	1	1		
32	ACCESS VALVE	-	<a href="#">457729-01</a>	1	1	1		
33	HOLDER / EXP. VALVE-3/8	SS	<a href="#">3A0107-01</a>	1	1	1		
34	CLAMP	SS	<a href="#">443461-02</a>	1	1	1		
35	EXP. VALVE COVER	PE FOAM	<a href="#">3A0944-01</a>	1	1	1		
36	THERMISTOR	-	<a href="#">429006-03</a>	1	1	1		
37	HOLDER-THERMISTOR	COPPER	<a href="#">427430-01</a>	1	1	1		
38	INSULATION-THERMISTOR(A)	PE FOAM	<a href="#">439368-01</a>	1	1	1		
39	INSULATION-THERMISTOR(B)	PE FOAM	<a href="#">439368-02</a>	1	1	1		
40	INSULATED RUBBER TUBE	-	<a href="#">4A1008G01</a>	1	1	1		
41	FRAME (A)	GS	<a href="#">2A1153-01</a>	1	1	1		
	T2 SCREW	4X8	<a href="#">7P31-0408</a>	4	4	4		
42	FRAME (B)	GS	<a href="#">3A0595-01</a>	1	1	1		
	T2 SCREW	4X8	<a href="#">7P31-0408</a>	4	4	4		
	CABLE TIE	CV-200	7920-0010	14	14	14		
43	INSULATION TUBE	L=125	<a href="#">7762-1030</a>	1	1	1		
44	INSULATION TUBE	L=300	<a href="#">7762-1330</a>	1	1	1		
45	INSULATION TUBE	L=200	<a href="#">7762-2943</a>	1	1	1		







HA

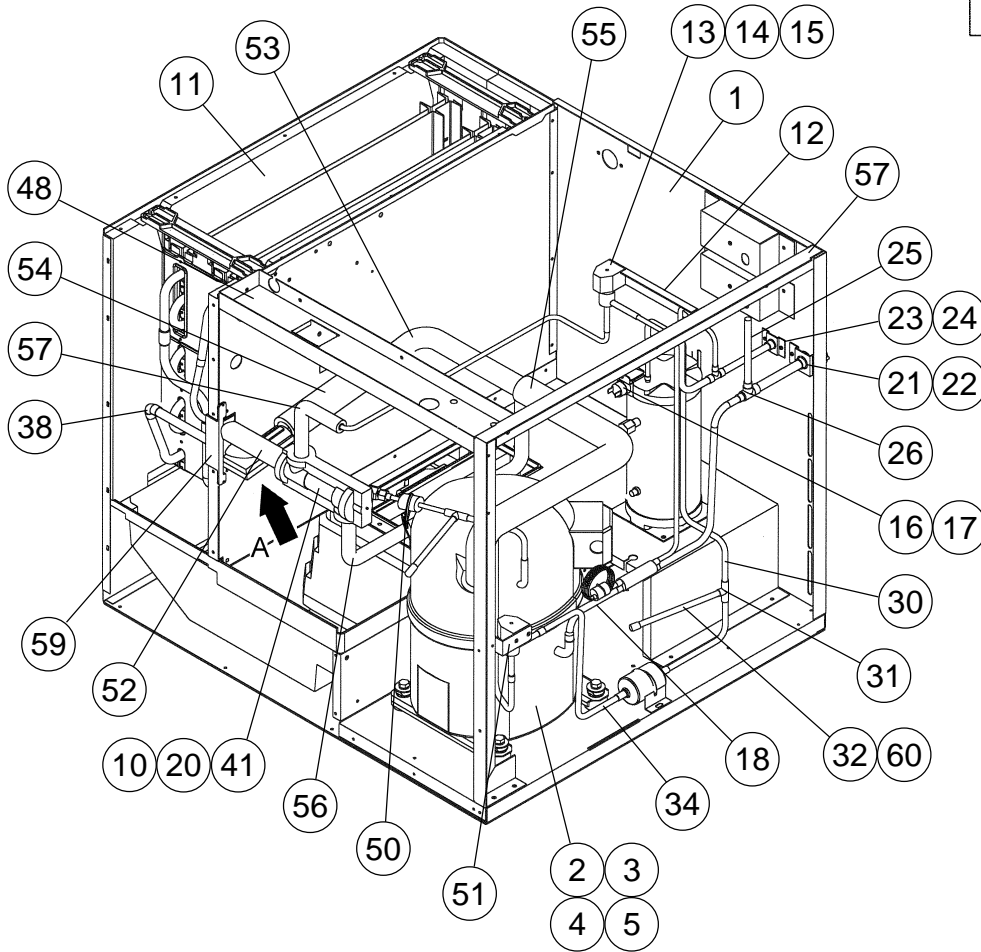
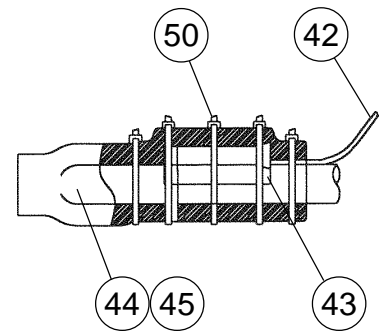
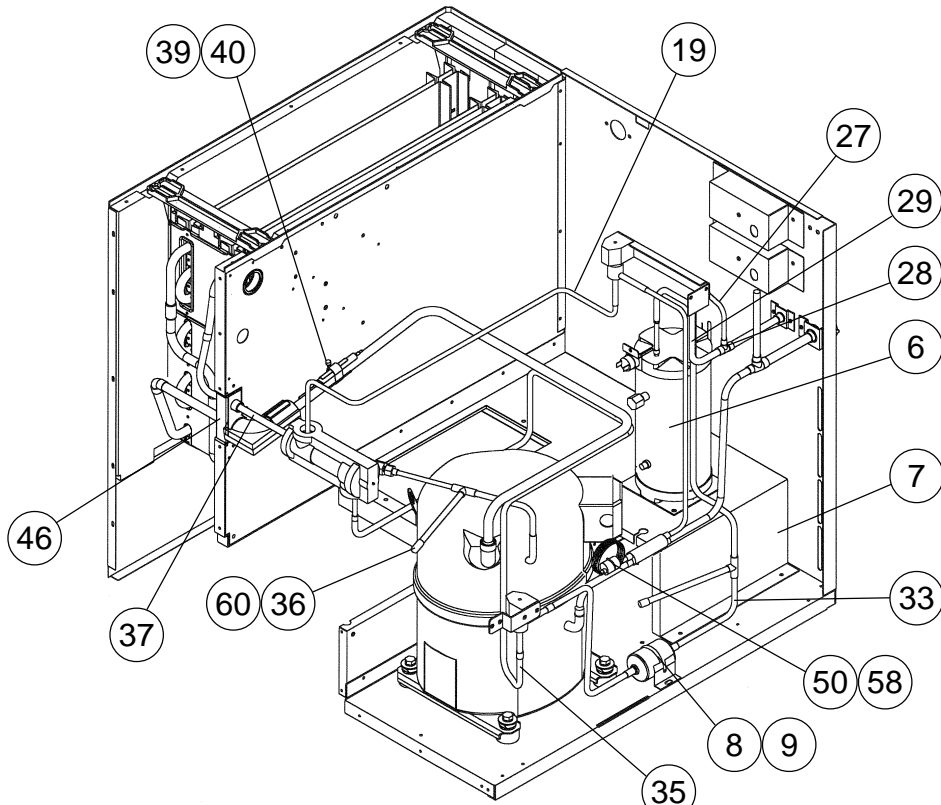
MODEL: <b>KML-600MMF</b> TITLE: <b>B. REFRIGERATION CIRCUIT</b>								
INDEX NO.	DESCRIPTION	MATERIAL OR MODEL NUMBER	PART NUMBER	REQUIRED NUMBER				
				J-0	K-0	L-0		
1	REAR PANEL	GS	3A1115G01	1	1	1		
	T2 SCREW	4X8	7P31-0408	9	9	9		
2	COMPRESSOR	CS10K6E-PFV-237	4A1539-01	1	1	1		
3	BOLT	8X45	437889-01	4	4	4		
4	SPACER	028-0188-02	434921-01	4	4	4		
5	GROMMET	027-0167-00	434922-01	4	4	4		
6	CONDENSER – WATER COOLED	H-2 ¼-1	4A1536-01	1	1	1		
	HEX. HEAD BOLT W/WASHER (LF)	4X12	7B0130512	3	3	3		
8	COND. SUPPORT	GS	2A0655-01	1	1	1		
	T2 SCREW	4X8	7P31-0408	4	4	4		
9	DRIER	CW-0325-S	4A1413-01	1	1	1		
10	DRIER BRACKET	GS	4A0807-01	1	1	1		
	T2 SCREW	4X8	7P31-0408	2	2	2		
11	EXP. VALVE	HFE-15 NHD-2	4A1482-01	1	1	1		
12	EVAPORATOR	-	106492G01	1	1	1		
	T2 SCREW	4X16, SS	7P31-0408	4	4	4		
13	HOT GAS VALVE BRACKET	GS	4A1999-01	1	1	1		
	T2 SCREW	4X8	7P31-0408	2	2	2		
14	VALVE BODY	70	440352-01	1	1	1		
15	COIL – VALVE	ABS-25-1-HD-2	440353-01	1	1	1		
16	BOLT	M4 X 0.7	440353F01	1	1	1		
	TRUSS HEAD SCREW	4X8	7C31-0408	2	2	2		
17	PRESSURE SWITCH	ACB-2UB04	433441-05	1	1	1		
18	PRESSURE SWITCH BRACKET	GS	434938-01	1	1	1		
	T2 SCREW	4X8	7P31-0408	1	1	1		
19	COPPER TUBE-HIGH SIDE	COPPER	3A1114G01	1	1	1		
20	COPPER TUBE (C) – HOT GAS	COPPER	3A1024-01	1	1	1		
21	TEE	COPPER	436000-08	1	1	1		
22	WATER REGULATOR	V46DA-3	4A0911-03	1	1	1		
23	TRUSS HEAD SCREW	4X6	7C31-0406	2	2	2		

HA

MODEL: <b>KML-600MMWF</b> TITLE: <b>B. REFRIGERATION CIRCUIT</b>								
INDEX NO.	DESCRIPTION	MATERIAL OR MODEL NUMBER	PART NUMBER	REQUIRED NUMBER				
				J-0	K-0	L-0		
24	MALE CONNECTOR	BRASS	<a href="#">4A1087-01</a>	1	1	1		
25	COPPER TUBE-CONDENSER OUTLET	COPPER	<a href="#">4A1634G01</a>	1	1	1		
26	COPPER TUBE-CONDENSER INLET	COPPER	<a href="#">3A1112G01</a>	1	1	1		
27	COPPER TUBE (D1) – HIGH SIDE	COPPER	4A1654-01	1	1	1		
28	TEE	COPPER	436000-06	1	1	1		
29	COPPER TUBE (D2) – HIGH SIDE	COPPER	4A1649-01	1	1	1		
30	COPPER TUBE (D3) – HIGH SIDE	COPPER	4A1648-01	1	1	1		
31	TEE	COPPER	<a href="#">420041-11</a>	1	1	1		
32	EVACUATION TUBE	COPPER	4A1212-02	1	1	1		
33	HEAT EXCHANGER	COPPER	1A0256G01	1	1	1		
34	ACCESS VALVE	COPPER	<a href="#">457729-01</a>	1	1	1		
35	COPPER TUBE (A) – LOW SIDE	COPPER	4A1515-01	1	1	1		
36	ELBOW	COPPER	<a href="#">417395-03</a>	1	1	1		
37	HOLDER/EXP. VALVE-3/8	SS	<a href="#">3A0107-01</a>	1	1	1		
38	CLAMP	SS	<a href="#">443461-02</a>	1	1	1		
39	EXP. VALVE COVER	PE FOAM	<a href="#">3A0944-01</a>	1	1	1		
40	THERMISTOR	-	<a href="#">429006-03</a>	1	1	1		
41	HOLDER-THERMISTOR	COPPER	<a href="#">427430-01</a>	1	1	1		
42	INSULATION-THERMISTOR (A)	PE FOAM	<a href="#">439368-01</a>	1	1	1		
43	INSULATION-THERMISTOR (B)	PE FOAM	<a href="#">439368-02</a>	1	1	1		
44	INSULATED RUBBER TUBE	-	<a href="#">4A1008G01</a>	1	1	1		
45	FRAME (A)	GS	<a href="#">2A1153-01</a>	1	1	1		
	T2 SCREW	4X8	<a href="#">7P31-0408</a>	4	4	4		
46	FRAME (B)	GS	<a href="#">3A0595-01</a>	1	1	1		
	T2 SCREW	4X8	<a href="#">7P31-0408</a>	4	4	4		
47	CABLE TIE	CV-200	7920-0010	14	14	14		
48	INSULATION TUBE	L=125	<a href="#">7762-1030</a>	1	1	1		
49	INSULATION TUBE	L=300	<a href="#">7762-1330</a>	1	1	1		
50	INSULATION TUBE	L=200	<a href="#">7762-2943</a>	1	1	1		
51	INSULATION TUBE	L=570	<a href="#">7762-2040</a>	1	1	1		

HA

MODEL: KML-600MWF TITLE: B. REFRIGERATION CIRCUIT								
INDEX NO.	DESCRIPTION	MATERIAL OR MODEL NUMBER	PART NUMBER	REQUIRED NUMBER				
				J-0	K-0	L-0		
52	INSULATION TUBE	L=520	<a href="#">7762-1020</a>	1	1	1		
53	INSULATION TUBE	L=130	<a href="#">7762-1020</a>	1	1	1		
54	INSULATION TUBE	L=30	<a href="#">7762-1020</a>	4	4	4		
55	INSULATION HOLDER	SS	3A1084-01	1	1	1		
	T2 SCREW	4X8	<a href="#">7P31-0408</a>	2	2	2		
56	INSULATION TUBE	L=740	<a href="#">7762-1330</a>	1	1	1		



HA

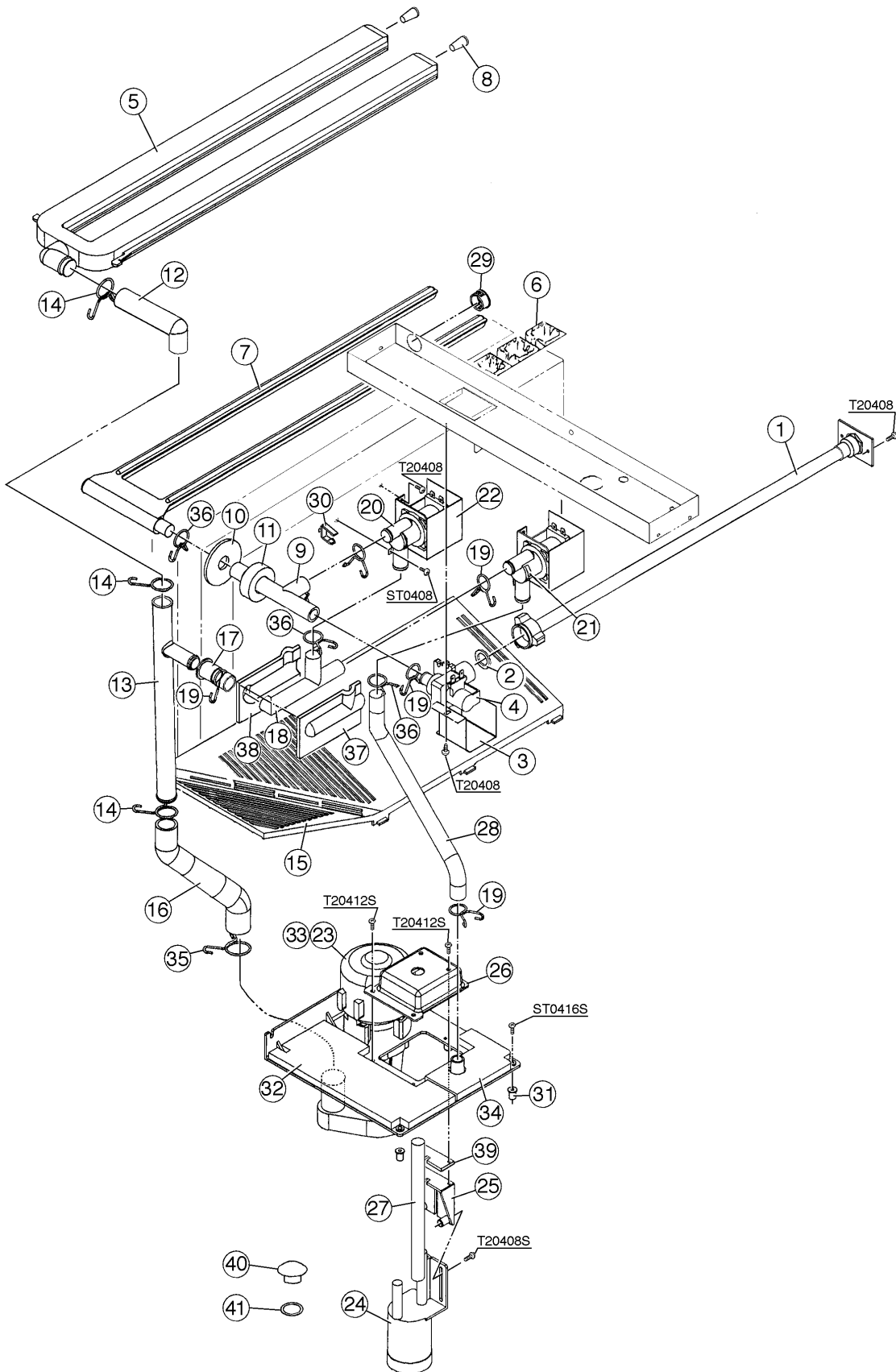
MODEL: <b>KML-600MRF</b> TITLE: <b>B. REFRIGERATION CIRCUIT</b>								
INDEX NO.	DESCRIPTION	MATERIAL OR MODEL NUMBER	PART NUMBER	REQUIRED NUMBER				
				J-0	K-0	L-0		
1	REAR PANEL	GS	3A1068G01	1	1	1		
	T2 SCREW	4X8	7P31-0408	9	9	9		
2	COMPRESSOR	CS10K6E-PFV-279	4A1539-02	1	1	1		
3	BOLT	8X45	437889-01	4	4	4		
4	SPACER	028-0188-02	434921-01	4	4	4		
5	GROMMET	027-0167-00	434922-01	4	4	4		
6	RECEIVER TANK	RRMNWP450	437652-01	1	1	1		
	HEX. HEAD BOLT W/WASHER (LF)	5X10	7B0130510	3	3	3		
7	COND. SUPPORT	GS	2A0655-02	1	1	1		
	T2 SCREW	4X8	7P31-0408	4	4	4		
8	DRIER	CW-0325-S	4A1413-01	1	1	1		
9	DRIER BRACKET	GS	4A0807-01	1	1	1		
	T2 SCREW	4X8	7P31-0408	2	2	2		
10	EXP. VALVE	HFE-15 NHD-2	4A1482-01	1	1	1		
11	EVAPORATOR	-	106492G01	1	1	1		
	T2 SCREW	4X16, SS	7P32-0416	4	4	4		
12	HOT GAS VALVE BRACKET	GS	4A1999-01	1	1	1		
	T2 SCREW	4X8	7P31-0408	2	2	2		
13	VALVE BODY	70	440352-01	2	2	2		
14	COIL-VALVE	ABS-25-1-HD-2	440353-01	2	2	2		
15	BOLT	M4 X 0.7	440353F01	2	2	2		
	TRUSS HEAD SCREW	4X8	7C31-0408	4	4	4		
16	PRESSURE SWITCH	ACB-1UB09	433441-07	1	1	1		
17	PRESSURE SWITCH BRACKET	GS	434938-01	1	1	1		
	T2 SCREW	4X8	7P31-0408	1	1	1		
18	COPPER TUBE-HIGH SIDE	COPPER	1A0265G01	1	1	1		
19	COPPER TUBE (C) – HOT GAS	COPPER	3A1024-01	1	1	1		
20	TEE	COPPER	436000-08	1	1	1		
21	COUPLING	BRASS	434136G01	1	1	1		
22	TUBE HOLDER-L	GS	438245-01	1	1	1		

HA

MODEL: <b>KML-600MRF</b> TITLE: <b>B. REFRIGERATION CIRCUIT</b>								
INDEX NO.	DESCRIPTION	MATERIAL OR MODEL NUMBER	PART NUMBER	REQUIRED NUMBER				
				J-0	K-0	L-0		
	T2 SCREW	4X8	<a href="#">7P31-0408</a>	2	2	2		
23	COUPLING	BRASS	<a href="#">433751G01</a>	1	1	1		
24	TUBE HOLDER-S	GS	<a href="#">438246-01</a>	1	1	1		
	T2 SCREW	4X8	<a href="#">7P31-0408</a>	2	2	2		
25	COPPER TUBE (B1)-HIGH SIDE	COPPER	4A1575-01	1	1	1		
26	TEE	COPPER	<a href="#">436000-09</a>	1	1	1		
27	COPPER TUBE (C)-HIGH SIDE	COPPER	4A1521-01	1	1	1		
28	TEE	COPPER	<a href="#">436000-02</a>	1	1	1		
29	COPPER TUBE (C2)-HIGH SIDE	COPPER	4A1574-01	1	1	1		
30	COPPER TUBE (D)-HIGH SIDE	COPPER	4A1523-01	1	1	1		
31	TEE	COPPER	<a href="#">420041-11</a>	1	1	1		
32	EVACUATION TUBE	COPPER	4A1212-02	1	1	1		
33	COPPER TUBE (E)-HIGH SIDE	COPPER	4A1534-01	1	1	1		
34	COPPER TUBE (F)-HIGH SIDE	COPPER	4A1573-01	1	1	1		
35	HEAT EXCHANGER	COPPER	1A0257G01	1	1	1		
36	ACCESS VALVE	COPPER	<a href="#">457729-01</a>	1	1	1		
37	COPPER TUBE (A)-LOW SIDE	COPPER	4A1515-01	1	1	1		
38	ELBOW	COPPER	<a href="#">417395-03</a>	1	1	1		
39	HOLDER/EXP. VALVE – 3/8	SS	<a href="#">3A0107-01</a>	1	1	1		
40	CLAMP	SS	<a href="#">443461-02</a>	1	1	1		
41	EXP. VALVE COVER	PE FOAM	<a href="#">3A0944-01</a>	1	1	1		
42	THERMISTOR	-	<a href="#">429006-03</a>	1	1	1		
43	HOLDER-THERMISTOR	COPPER	<a href="#">427430-01</a>	1	1	1		
44	INSULATION-THERMISTOR (A)	PE FOAM	<a href="#">439368-01</a>	1	1	1		
45	INSULATION-THERMISTOR (B)	PE FOAM	<a href="#">439368-02</a>	1	1	1		
46	INSULATED RUBBER TUBE	-	<a href="#">4A1008G01</a>	1	1	1		
47	FRAME (A)	GS	<a href="#">2A1153-01</a>	1	1	1		
	T2 SCREW	4X8	<a href="#">7P31-0408</a>	4	4	4		
48	FRAME (B)	GS	<a href="#">3A0595-01</a>	1	1	1		
	T2 SCREW	4X8	<a href="#">7P31-0408</a>	4	4	4		

MODEL: KML-600MRF TITLE: B. REFRIGERATION CIRCUIT								
INDEX NO.	DESCRIPTION	MATERIAL OR MODEL NUMBER	PART NUMBER	REQUIRED NUMBER				
				J-0	K-0	L-0		
50	CABLE TIE	CV-200	7920-0010	14	14	14		
51	LINE VALVE BRACKET	GS	4A1406-01	1	1	1		
	T2 SCREW	4X8	7P31-0408	2	2	2		
52	INSULATION TUBE	L=125	7762-1030	1	1	1		
53	INSULATION TUBE	L=300	7762-1330	1	1	1		
54	INSULATION TUBE	L=200	7762-2943	1	1	1		
55	INSULATION TUBE	L=570	7762-2040	1	1	1		
56	INSULATION TUBE	L=520	7762-1020	1	1	1		
57	INSULATION TUBE	L=130	7762-1020	1	1	1		
58	INSULATION TUBE	L=30	7762-1020	2	2	2		
59	INSULATION HOLDER	SS	3A1084-01	1	1	1		
	T2 SCREW	4X8	7P31-0408	2	2	2		
60	END CAP	RUBBER	4A1413F01	2	2	2		



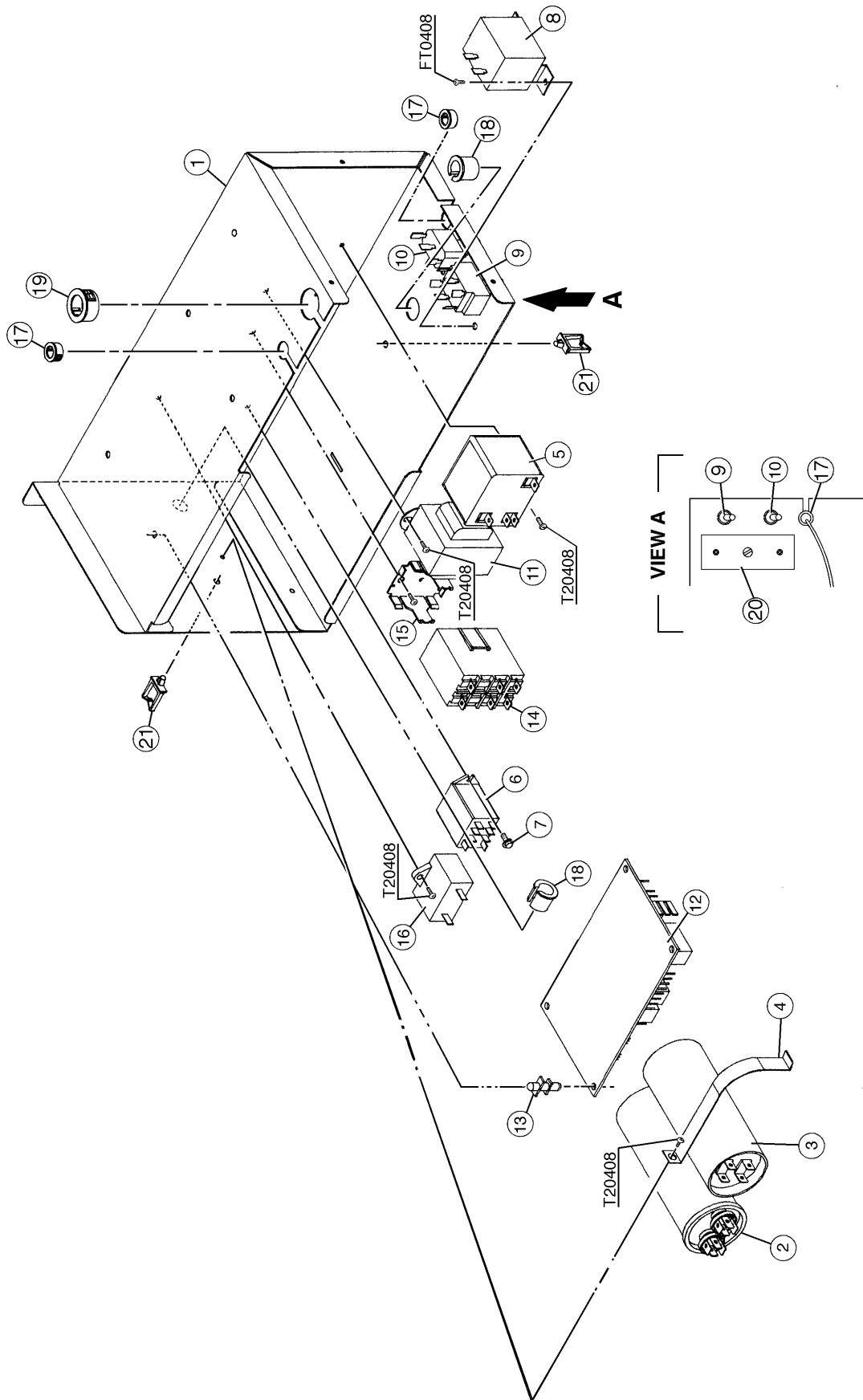


HA

MODEL: <b>KML-600MAF, MVF, MRF</b> TITLE: <b>C. WATER CIRCUIT</b>								
INDEX NO.	DESCRIPTION	MATERIAL OR MODEL NUMBER	PART NUMBER	REQUIRED NUMBER				
				J-0	K-0	L-0		
1	WATER SUPPLY PIPE	COPPER	<a href="#">4A0768G04</a>	1	1	1		
	T2 SCREW	4 X 8	<a href="#">7P310408</a>	2	2	2		
2	RUBBER GASKET	NR	<a href="#">413854-03</a>	1	1	1		
3	WATER VALVE BRACKET	GS	<a href="#">321443-01</a>	1	1	1		
	T2 SCREW	4 X 8	<a href="#">7P31-0408</a>	1	1	1		
4	WATER VALVE	J248-033	<a href="#">3U0111-03</a>	1	1	1		
5	SPRAY TUBE	PE	<a href="#">1A0260-02</a>	1	1	1		
6	SPRAY GUIDE (A)	PE	<a href="#">208586-01</a>	6	6	6		
7	WATER SUPPLY TUBE	PE	<a href="#">2A0079-01</a>	1	1	1		
8	PLUG	EPDM	<a href="#">4A0176-01</a>	2	2	2		
9	WATER SUPPLY TEE	SANTOPRENE	<a href="#">4A1006-01</a>	1	1	1		
10	FLANGE	EPDM	<a href="#">439267-01</a>	1	1	1		
11	INSULATION (E)	PE FOAM	<a href="#">4A0392-01</a>	1	1	1		
12	ELBOW	SANTOPRENE	<a href="#">4A0393-01</a>	1	1	1		
13	CONNECTING PIPE	PE	<a href="#">3A1335-02</a>	1	1	1		
14	HOSE CLAMP	SS, 25 mm	<a href="#">427443-03</a>	3	3	3		
15	CUBE GUIDE (A)	ABS	<a href="#">2A0660-01</a>	1	1	1		
16	PUMP HOSE	EPDM	<a href="#">4A1007-01</a>	1	1	1		
17	RUBBER RING	EPDM	<a href="#">4A1004-01</a>	1	1	1		
18	BYPASS HOSE	SANTOPRENE	<a href="#">4A1005-01</a>	1	1	1		
19	HOSE CLAMP	SS, 18 mm	<a href="#">427443-05</a>	5	5	5		
20	SOLENOID VALVE	207CB-GS1873	<a href="#">439322-01</a>	2	2	2		
	TRUSS HEAD SCREW	4 X 8	<a href="#">7C31-0408</a>	4	4	4		
21	ARROW LABEL	PES	<a href="#">4A0096-01</a>	1	1	1		
22	SOLENOID COVER	GS	<a href="#">4A0996-01</a>	2	2	2		
	T2 SCREW	4 X 8	<a href="#">7P31-0408</a>	4	4	4		
23	PUMP	SP-BG14LEJ16	<a href="#">2A0749-01</a>	1	1	1		
	TRUSS HEAD SCREW	4X16, SS	<a href="#">7C32-0416</a>	4	4	4		

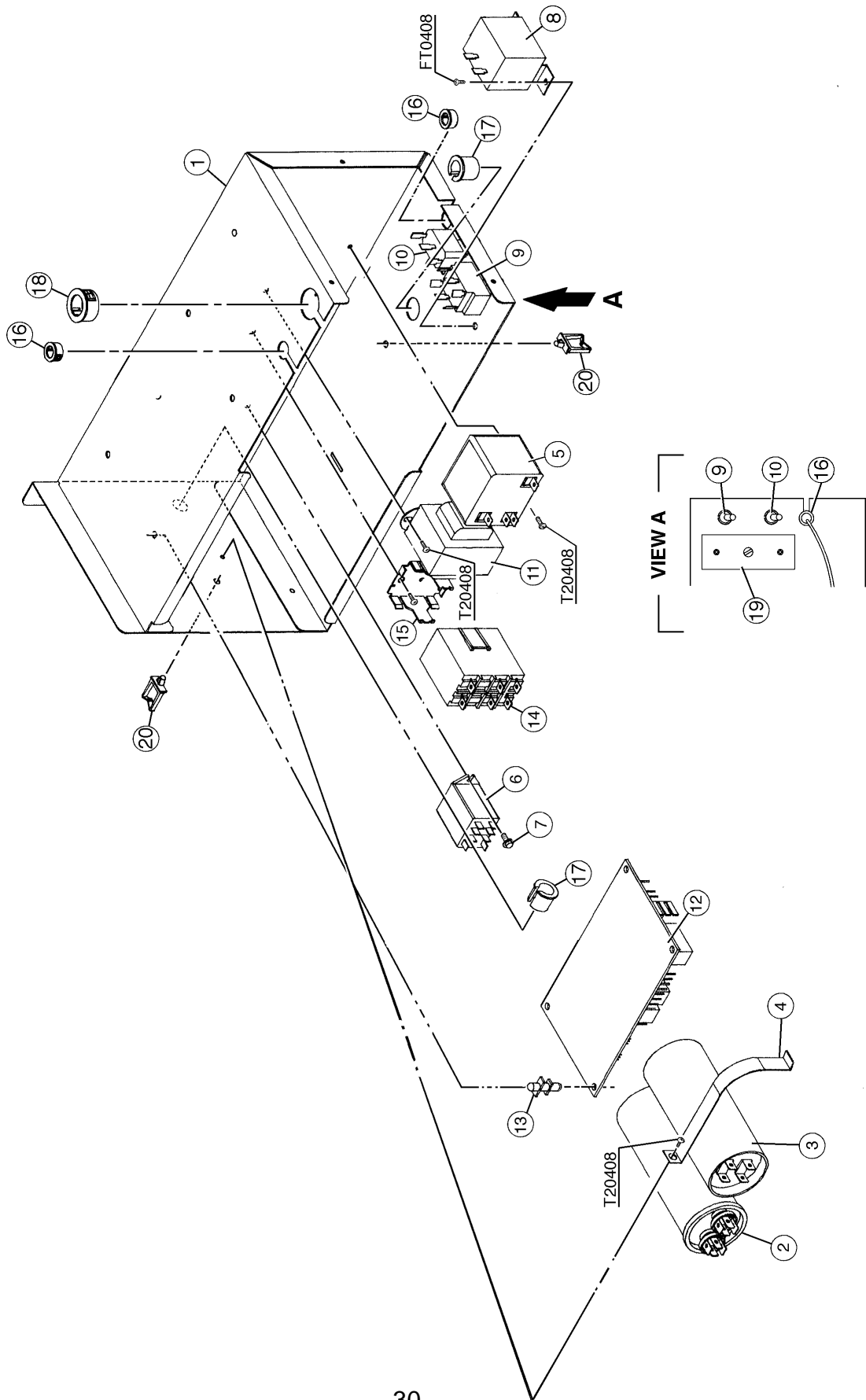
HA

MODEL: <b>KML-600MAF, MWF, MRF</b> TITLE: <b>C. WATER CIRCUIT</b>								
INDEX NO.	DESCRIPTION	MATERIAL OR MODEL NUMBER	PART NUMBER	REQUIRED NUMBER				
				J-0	K-0	L-0		
24	FLOAT SWITCH	163795	<a href="#">4A0886-01</a>	1	1	1		
	T2 SCREW	4 X 8, SS	<a href="#">7P32-0408</a>	2	2	2		
25	FLOAT SWITCH BRACKET	ABS	<a href="#">327757-01</a>	1	1	1		
	T2 SCREW	4 X 12, SS	<a href="#">7P32-0412</a>	2	2	2		
26	FLOAT SWITCH COVER	ABS	<a href="#">3A0665-01</a>	1	1	1		
	T2 SCREW	4 X 8, SS	<a href="#">7P32-0408</a>	3	3	3		
27	VINYL HOSE	L=150	<a href="#">7716-1216</a>	1	1	1		
28	VINYL HOSE	L=370	<a href="#">7716-1519</a>	1	1	1		
29	BUSHING	OCB-875	<a href="#">428394-04</a>	1	1	1		
30	WIRE SADDLE	VWS4238-C	<a href="#">4A0338-02</a>	8	8	8		
31	WELL NUT	347011	<a href="#">4A1070-01</a>	2	2	2		
32	INSULATION (A) - PUMP BRACKET	PE FOAM	<a href="#">4A1052-01</a>	1	1	1		
33	TOOTH WASHER	ZINC, M4	<a href="#">7R21-0400</a>	1	1	1		
	T2 SCREW	4 X 8	<a href="#">7P31-0408</a>	1	1	1		
34	INSULATION (B) - PUMP BRACKET	PE FOAM	<a href="#">4A1053-01</a>	1	1	1		
35	HOSE CLAMP	SS, 27 mm	<a href="#">427443-08</a>	1	1	1		
36	HOSE CLAMP	SS, 20 mm	<a href="#">427443-06</a>	3	3	3		
37	INSULATION (A1) - BYPASS HOSE	NP	<a href="#">4A1259-01</a>	1	1	1		
38	INSULATION (A2) - BYPASS HOSE	NP	<a href="#">4A1260-01</a>	1	1	1		
39	FLOAT SWITCH SPACER	ABS	<a href="#">4A0650-01</a>	1	1	1		
40	DRAIN	POLYACETAL	<a href="#">309246-01</a>	1	1	1		
41	O-RING	1AP15	<a href="#">7611-P015</a>	1	1	1		



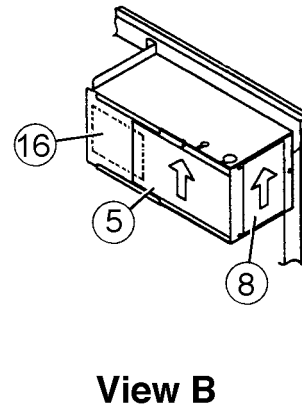
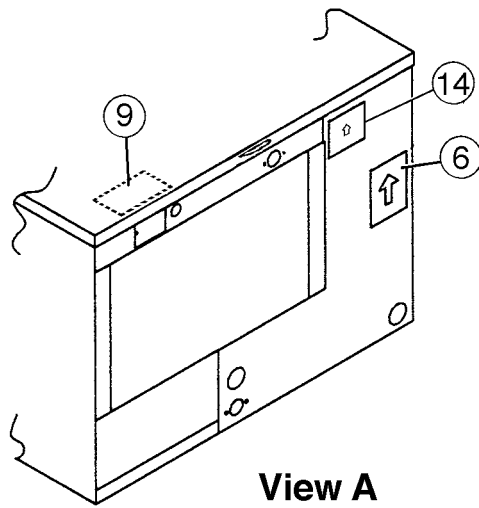
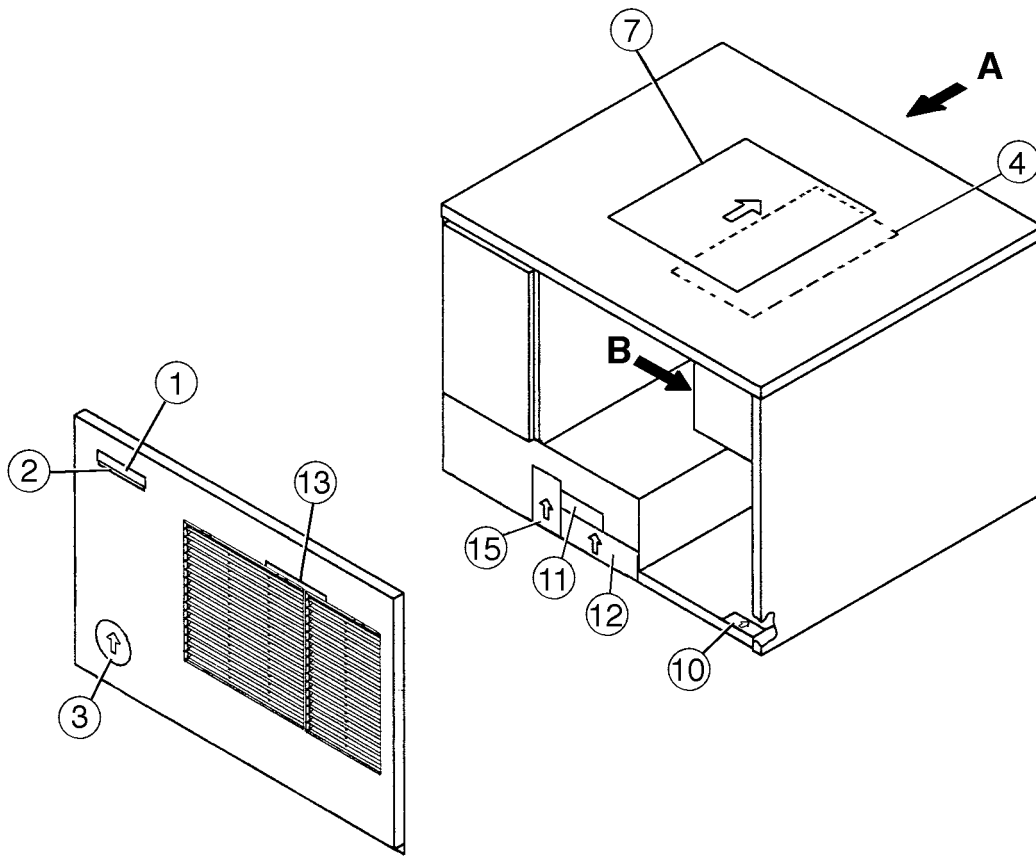
HA

MODEL: KML-600MAF TITLE: D. CONTROL BOX ASSEMBLY								
INDEX NO.	DESCRIPTION	MATERIAL OR MODEL NUMBER	PART NUMBER	REQUIRED NUMBER				
				J-0	K-0	L-0		
1	CONTROL BOX	GS	3A0602G01	1	1	1		
2	CAPACITOR	30µf 370 VAC	4A1631-02	1	1	1		
3	CAPACITOR - STARTING	145-174µf 22VAC	<a href="#">3A0076-11</a>	1	1	1		
4	STRAP	GS	434875-01	1	1	1		
	T2 SCREW	4 X 8	<a href="#">7P31-0408</a>	1	1	1		
5	STARTER	-	<a href="#">4A1107-13</a>	1	1	1		
	T2 SCREW	4 X 8	<a href="#">7P31-0408</a>	1	1	1		
6	RELAY	LY2F 120 VAC	<a href="#">406132-07</a>	1	1	1		
7	TAPPING SCREW	3X8	<a href="#">431415-01</a>	2	2	2		
8	THERMOSTAT	A30-3815-00	4A0824-01	1	1	1		
	TRUSS HEAD SCREW	4 X 8	<a href="#">7C31-0408</a>	2	2	2		
9	TOGGLE SWITCH	7563K6	<a href="#">443119-01</a>	1	1	1		
10	TOGGLE SWITCH	8966K211	<a href="#">4A0985-01</a>	1	1	1		
11	TRANSFORMER	26D285H	<a href="#">3A0172-01</a>	1	1	1		
	T2 SCREW	4 X 8	<a href="#">7P31-0408</a>	2	2	2		
12	CONTROLLER BOARD	HOS-001A	<a href="#">2A1410-01</a>	1	1	1		
13	BOARD SUPPORT	CBL537-M	<a href="#">4A0336-03</a>	4	4	4		
14	MAGNETIC CONTACTOR	VC20	428393-01	1	1	1		
15	BRACKET	BW 9154	428393F01	1	1	1		
	T2 SCREW	4 X 8	<a href="#">7P31-0408</a>	2	2	2		
16	CAPACITOR	5µf 250 VAC	<a href="#">443192-02</a>	1	1	1		
	T2 SCREW	4 X 8	<a href="#">7P31-0408</a>	1	1	1		
17	BUSHING	OCB-500	<a href="#">428394-02</a>	2	2	2		
18	BUSHING	OCB-625	428394-03	2	2	2		
19	BUSHING	OCB-875	<a href="#">428394-04</a>	1	1	1		
20	CONTROL LABEL	PES FILM	<a href="#">4A1758-01</a>	1	1	1		
21	WIRE SADDLE	VWS4238-C	4A0338-03	2	2	2		



HA

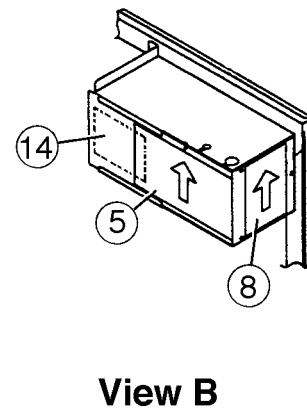
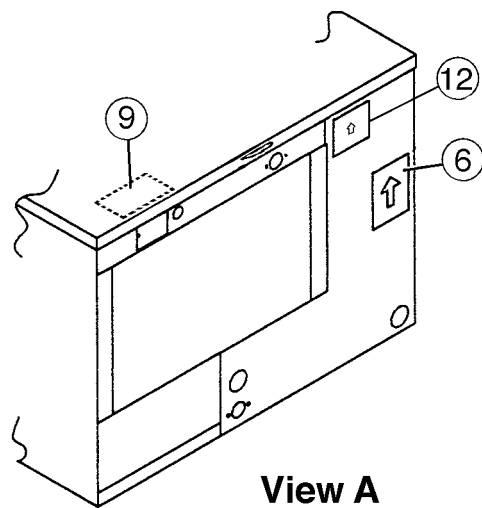
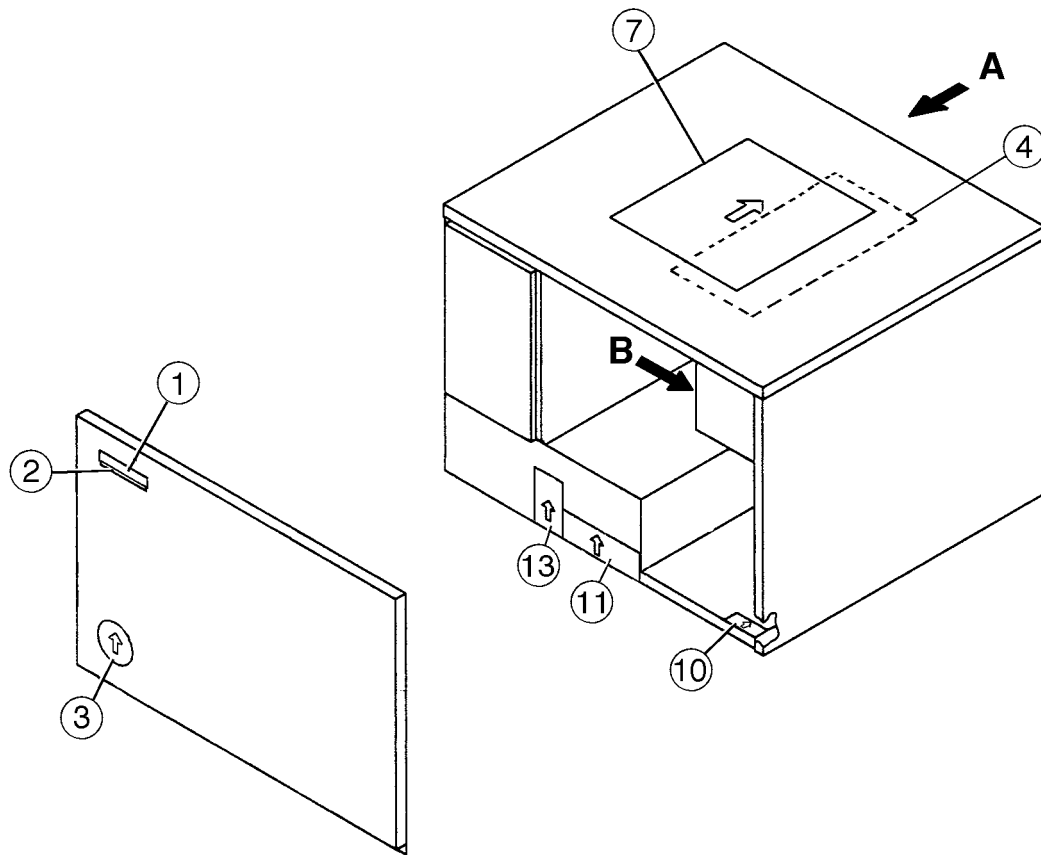
MODEL: KML-600MWF, MRF TITLE: D. CONTROL BOX ASSEMBLY								
INDEX NO.	DESCRIPTION	MATERIAL OR MODEL NUMBER	PART NUMBER	REQUIRED NUMBER				
				J-0	K-0	L-0		
1	CONTROL BOX	GS	3A0602G01	1	1	1		
2	CAPACITOR	30µf 370 VAC	4A1631-02	1	1	1		
3	CAPACITOR - STARTING	145-174µf 22V	3A0076-03	1	1	1		
4	STRAP	GS	434580-17	1	1	1		
	T2 SCREW	4 X 8	7P31-0408	1	1	1		
5	STARTER	-	4A1107-13	1	1	1		
	T2 SCREW	4 X 8	7P31-0408	1	1	1		
6	RELAY	LY2F 120 VAC	406132-07	1	1	1		
7	TAPPING SCREW	3X8	431415-01	2	2	2		
8	THERMOSTAT	A30-3815-00	4A0824-01	1	1	1		
	TRUSS HEAD SCREW	4 X 8	7C31-0408	2	2	2		
9	TOGGLE SWITCH	7563K6	443119-01	1	1	1		
10	TOGGLE SWITCH	8966K211	4A0985-01	1	1	1		
11	TRANSFORMER	26D285H	3A0172-01	1	1	1		
	T2 SCREW	4 X 8	7P31-0408	2	2	2		
12	CONTROLLER BOARD	HOS-001A	2A1410-01	1	1	1		
13	BOARD SUPPORT	CBL537-M	4A0336-03	4	4	4		
14	MAGNETIC CONTACTOR	VC20	428393-01	1	1	1		
15	BRACKET	BW9154	428393F01	1	1	1		
	T2 SCREW	4 X 8	7P31-0408	2	2	2		
16	BUSHING	OCB-500	428394-02	2	2	2		
17	BUSHING	OCB-625	428394-03	2	2	2		
18	BUSHING	OCB-875	428394-04	1	1	1		
19	CONTROL LABEL	PES FILM	4A1758-01	1	1	1		
20	WIRE SADDLE	VWS4238-C	4A0338-03	2	2	2		





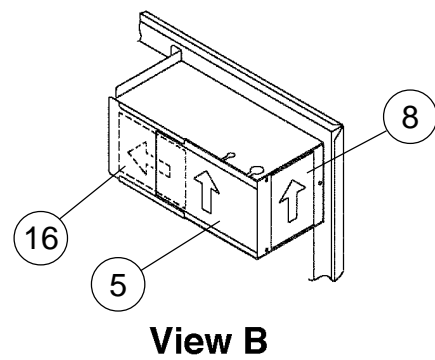
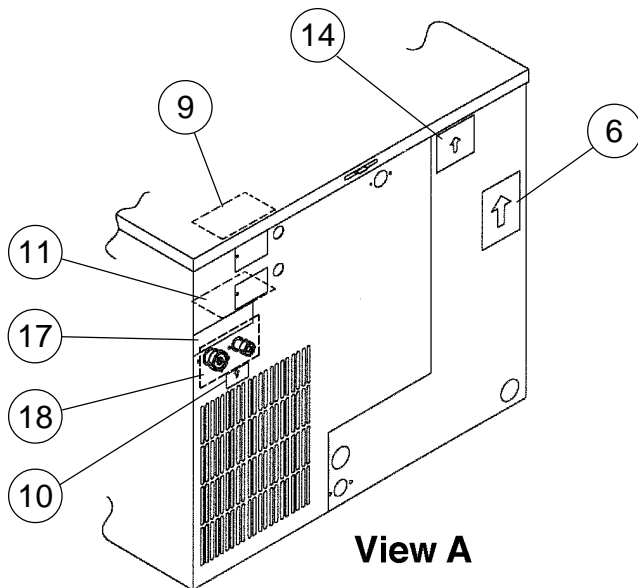
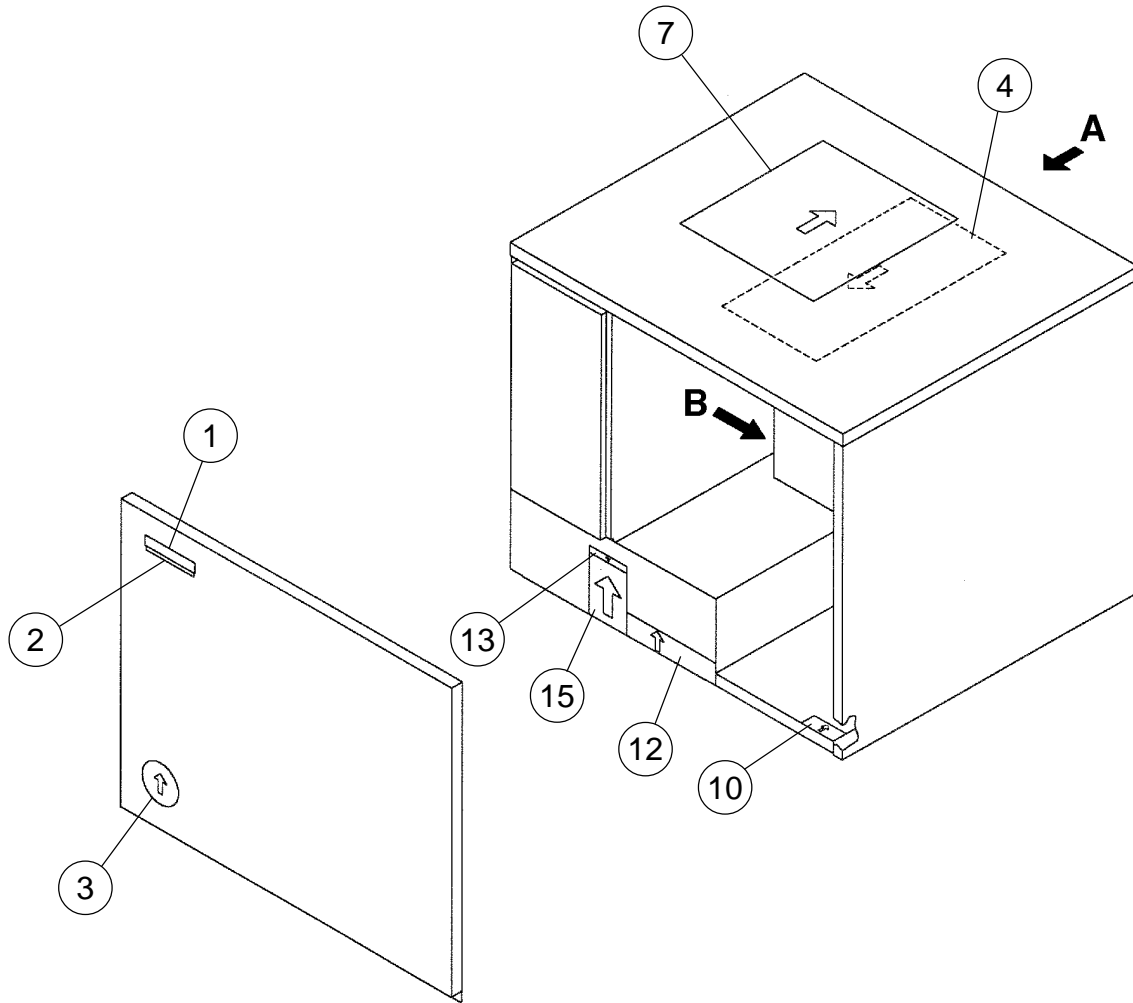
HA

MODEL: <b>KML-600MAF</b> TITLE: <b>E. LABEL LOCATION</b>								
INDEX NO.	DESCRIPTION	MATERIAL OR MODEL NUMBER	PART NUMBER	REQUIRED NUMBER				
				J-0	K-0	L-0		
1	EMBLEM	PETP FILM	<a href="#">4A0560-01</a>	1	1	1		
2	MODEL NUMBER LABEL	PETP FILM	4A1233-11	1	1	1		
3	LABEL - PENGUIN - HA (R)	PETP FILM	<a href="#">4A0526-01</a>	1	1	1		
4	MAINTENANCE LABEL	PVC FILM	3A1696-01	1	1	1		
5	WIRING LABEL	PVC FILM	<a href="#">3A1073-01</a>	1	1	1		
6	NAMEPLATE	PES FILM	4A1582-01	1	1	1		
7	INSTRUCTION SHEET	PAPER	2A1253-01	1	1	1		
8	MANUAL LABEL	PVC FILM	4A1090-01	1	1	1		
9	TAG - WARNING: ELECTRICAL CONNECTION	PAPER	428430-01	1	1	1		
10	LABEL - R404A	PES FILM	<a href="#">4A0960-01</a>	1	1	1		
11	CAUTION LABEL (F)	PVC FILM	<a href="#">439146-01</a>	1	1	1		
12	CAUTION LABEL (K)	PVC FILM	<a href="#">439150-01</a>	1	1	1		
13	LABEL - AIR FILTER	PETP FILM	<a href="#">426177-01</a>	1	1	1		
14	INSTRUCTION LABEL	PVC FILM	<a href="#">444575-01</a>	1	1	1		
15	RATING LABEL	PES FILM	4A1585-01	1	1	1		
16	LABEL – CONTROL BOARD	PVC FILM	<a href="#">3A1272-01</a>	1	1	1		



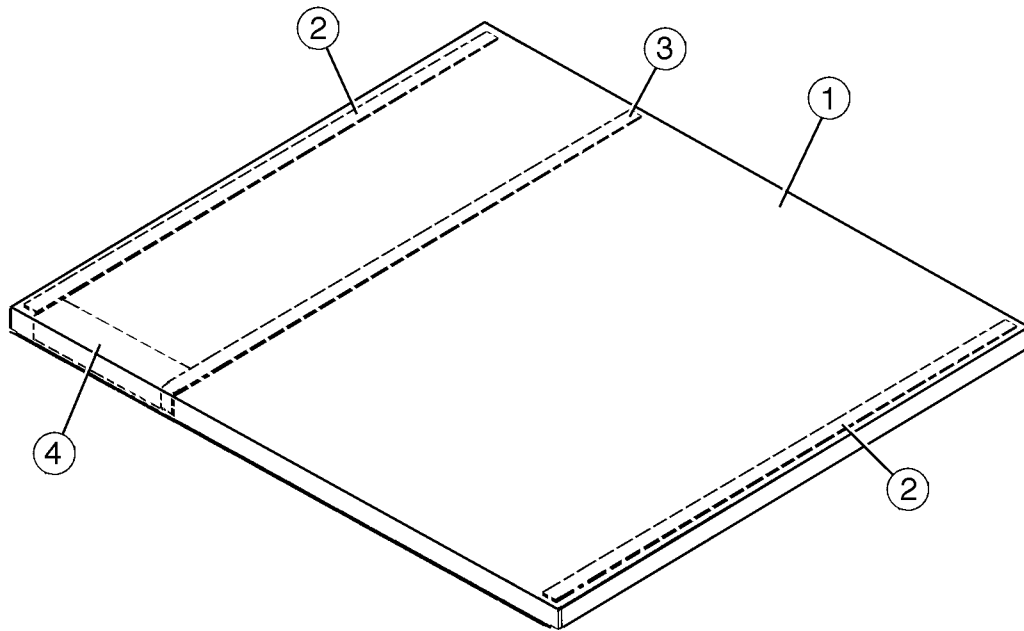
HA

MODEL: KML-600MWF TITLE: E. LABEL LOCATION								
INDEX NO.	DESCRIPTION	MATERIAL OR MODEL NUMBER	PART NUMBER	REQUIRED NUMBER				
				J-0	K-0	L-0		
1	EMBLEM	PETP FILM	<a href="#">4A0560-01</a>	1	1	1		
2	MODEL NUMBER LABEL	PETP FILM	4A1233-13	1	1	1		
3	LABEL - PENGUIN - HA (R)	PETP FILM	<a href="#">4A0526-01</a>	1	1	1		
4	MAINTENANCE LABEL	PVC FILM	3A1696-01	1	1	1		
5	WIRING LABEL	PVC FILM	<a href="#">3A1073-01</a>	1	1	1		
6	NAMEPLATE	PES FILM	4A1584-01	1	1	1		
7	INSTRUCTION SHEET	PAPER	2A1253-01	1	1	1		
8	MANUAL LABEL	PVC FILM	4A1090-01	1	1	1		
9	TAG - WARNING: ELECTRICAL CONNECTION	PAPER	428430-01	1	1	1		
10	LABEL - R404A	PES FILM	<a href="#">4A0960-01</a>	1	1	1		
11	CAUTION LABEL (K)	PVC FILM	<a href="#">439150-01</a>	1	1	1		
12	INSTRUCTION LABEL	PVC FILM	<a href="#">444575-01</a>	1	1	1		
13	RATING LABEL	PES	4A1587-01	1	1	1		
14	LABEL – CONTROL BOARD	PVC FILM	<a href="#">3A1272-01</a>	1	1	1		

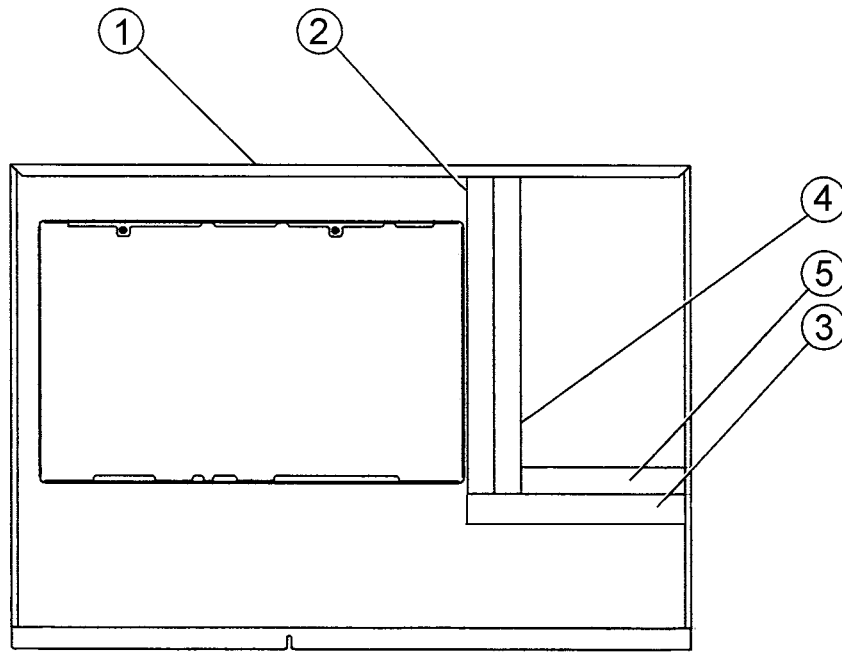


HA

MODEL: <b>KML-600MRF</b> TITLE: <b>E. LABEL LOCATION</b>								
INDEX NO.	DESCRIPTION	MATERIAL OR MODEL NUMBER	PART NUMBER	REQUIRED NUMBER				
				J-0	K-0	L-0		
1	EMBLEM	PETP FILM	<a href="#">4A0560-01</a>	1	1	1		
2	MODEL NUMBER LABEL	PETP FILM	4A1233-12	1	1	1		
3	LABEL - PENGUIN - HA (R)	PETP FILM	<a href="#">4A0526-01</a>	1	1	1		
4	MAINTENANCE LABEL	PVC FILM	3A1696-01	1	1	1		
5	WIRING LABEL	PVC FILM	<a href="#">3A1073-01</a>	1	1	1		
6	NAMEPLATE	PES FILM	4A1583-01	1	1	1		
7	INSTRUCTION SHEET	PAPER	2A1253-01	1	1	1		
8	MANUAL LABEL	PVC FILM	4A1090-01	1	1	1		
9	TAG - WARNING: ELECTRICAL CONNECTION	PAPER	428430-01	1	1	1		
10	LABEL - R404A	PES FILM	<a href="#">4A0960-01</a>	1	1	1		
11	TAG-FAN MOTOR LEADS	PAPER	<a href="#">4A1494-01</a>	1	1	1		
12	CAUTION LABEL (K)	PVC FILM	<a href="#">439150-01</a>	1	1	1		
13	LABEL CHARGE	PVC FILM	4A1399-11					
14	INSTRUCTION LABEL	PVC FILM	<a href="#">444575-01</a>	1	1	1		
15	RATING LABEL	PES	4A1586-01	1	1	1		
16	LABEL – CONTROLLER BOARD	PVC FILM	<a href="#">3A1272-01</a>	1	1	1		
17	CAUTION-REMOTE LABEL	PVC FILM	<a href="#">4A1491-01</a>	1	1	1		
18	CAUTION TAPE-404A (L=250)	PVC FILM	4A1535L01	1	1	1		



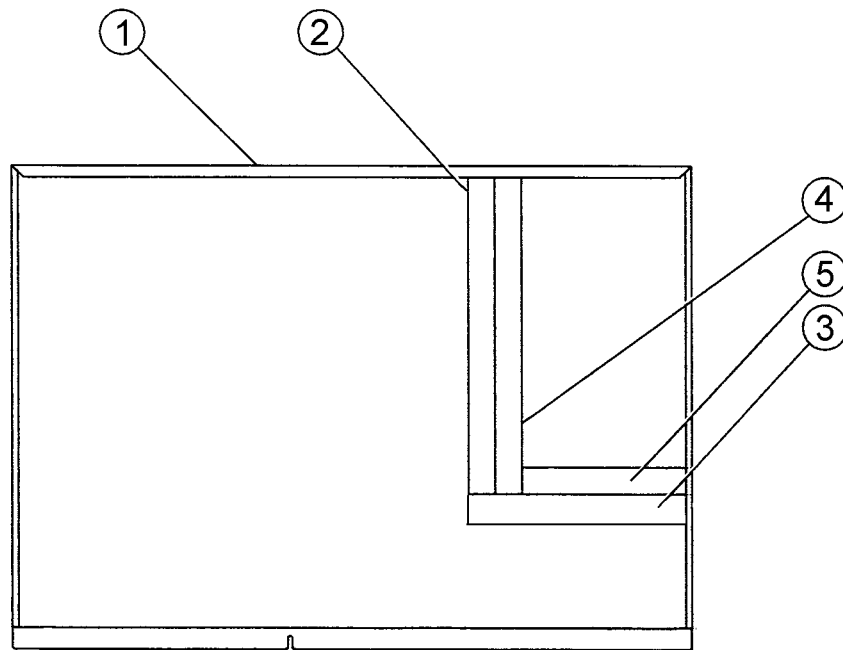






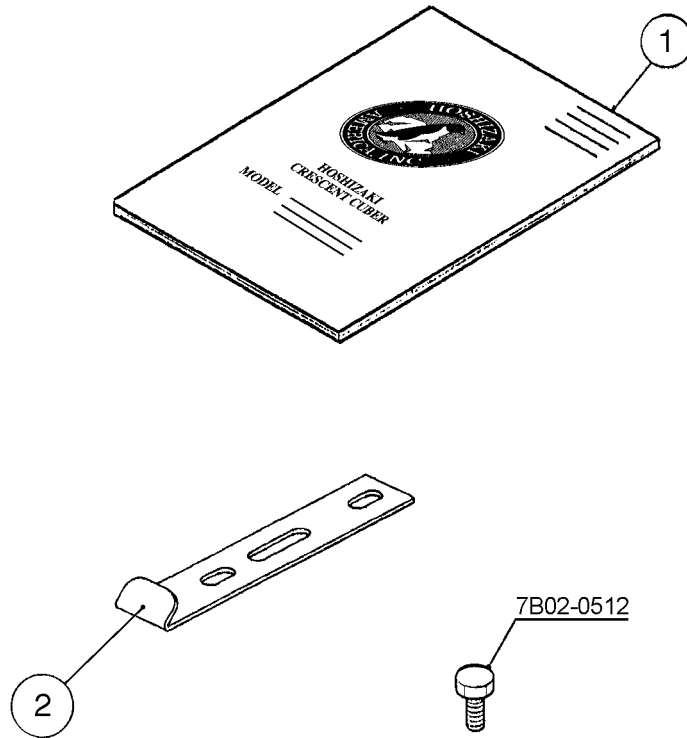
HA

MODEL: <b>KML-600MAF</b>		TITLE: <b>G. FRONT PANEL ASSEMBLY</b>						
INDEX NO.	DESCRIPTION	MATERIAL OR MODEL NUMBER	PART NUMBER	REQUIRED NUMBER				
				J-0	K-0	L-0		
1	FRONT PANEL (A)	SS	2A1197-01	1	1	1		
2	FOAM SEAL	L=460	<a href="#">4A0661L01</a>	1	1	1		
3	FOAM SEAL	L=250	<a href="#">4A0661L01</a>	1	1	1		
4	FOAM SEAL	L=460	<a href="#">4A1163L01</a>	1	1	1		
5	FOAM SEAL	L=190	<a href="#">4A1163L01</a>	1	1	1		



HA

MODEL: <b>KML-600MWF, MRF</b>		TITLE: <b>G. FRONT PANEL ASSEMBLY</b>						
INDEX NO.	DESCRIPTION	MATERIAL OR MODEL NUMBER	PART NUMBER	REQUIRED NUMBER				
				J-0	K-0	L-0		
1	FRONT PANEL (A)	SS	2A1155-01	1	1	1		
2	FOAM SEAL	L=460	<a href="#">4A0661L01</a>	1	1	1		
3	FOAM SEAL	L=250	<a href="#">4A0661L01</a>	1	1	1		
4	FOAM SEAL	L=460	<a href="#">4A1163L01</a>	1	1	1		
5	FOAM SEAL	L=190	<a href="#">4A1163L01</a>	1	1	1		



HA

MODEL: <b>KML-600MAF, MWF, MRF</b> TITLE: <b>J. ACCESSORIES</b>								
INDEX NO.	DESCRIPTION	MATERIAL OR MODEL NUMBER	PART NUMBER	REQUIRED NUMBER				
				J-0	K-0	L-0		
1	INSTRUCTION MANUAL	PAPER	91A1HA10A	1	1	1		
2	UNIVERSAL BRACE	GS	4A0363-01	2	2	2		
	HEX HEAD BOLT	SS, 5X12	7B02-0512	2	2	2		