
NO. 71145

ISSUED: OCT. 12, 1999

REVISED: AUG. 2, 2002



**HOSHIZAKI
MODULAR CRESCENT CUBER**

MODEL

KML-600MAF

KML-600MWF

KML-600MRF

(FINAL) PARTS LIST

KML-600MAF

J-0 APRIL 1999
K-0 JAN. 2000
L-0 DEC. 2000

KML-600MWF

J-0 MAY 1999
K-0 DEC. 1999
L-0 JAN. 2001

KML-600MRF

J-0 JUNE 1999
K-0 DEC. 1999
L-0 FEB. 2001

MATERIAL ABBREVIATIONS

ALUMINUM

AL = Aluminum

COPPER

CU = Copper

PLASTIC

ABS = Acrylonitrile -butadiene - styrene
 AC = Polyacetal
 EVA = Ethylene vinyl acetate
 PA = Polyamide = Nylon
 PC = Polycarbonate
 PE = Polyethylene
 PES = Polyester
 PETP = Polyethylene terephthalate = Tetlon
 PP = Polypropylene
 PS = Polystyrene
 PIFE = Polytetrafluoroethylene = Teflon
 PUR = Polyurethane
 PVC = Polyvinyl chloride

RUBBER

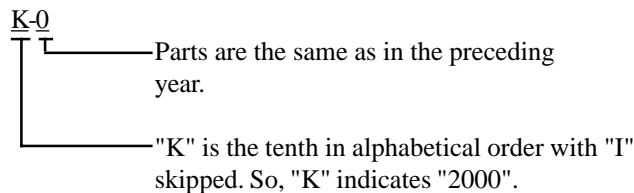
VN = Vinyl Nitrile
 EPDM = EP rubber
 NBR = Nitrile butadiene rubber
 NR = Natural rubber
 NP = Neoprene
 SIR = Silicone rubber
 SYR = Synthetic rubber
 EPH = Epichlorohydrin

STEEL

GS = Galvanized steel
 SS = Stainless steel
 PS = Plated steel
 PAS = Primed steel

AUXILIARY CODE

Ex.1

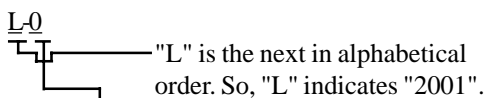


(Note) - = Part deleted.

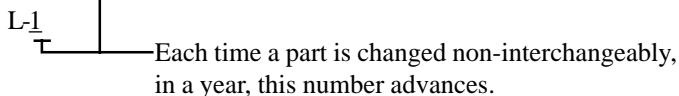
x = Part deleted and replaced by "o" part.

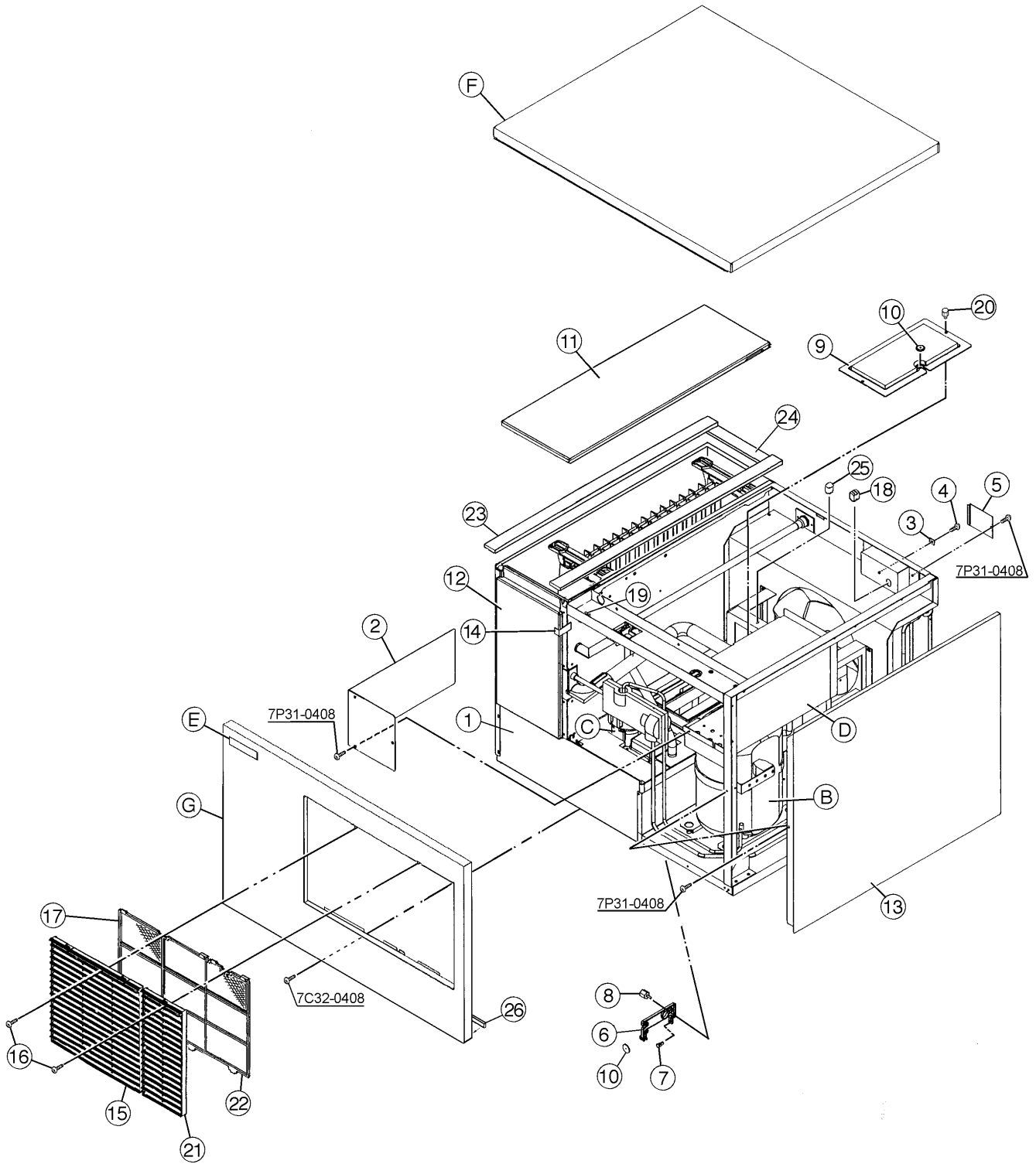
o = New part for "x" in the same auxiliary code.

Ex.2



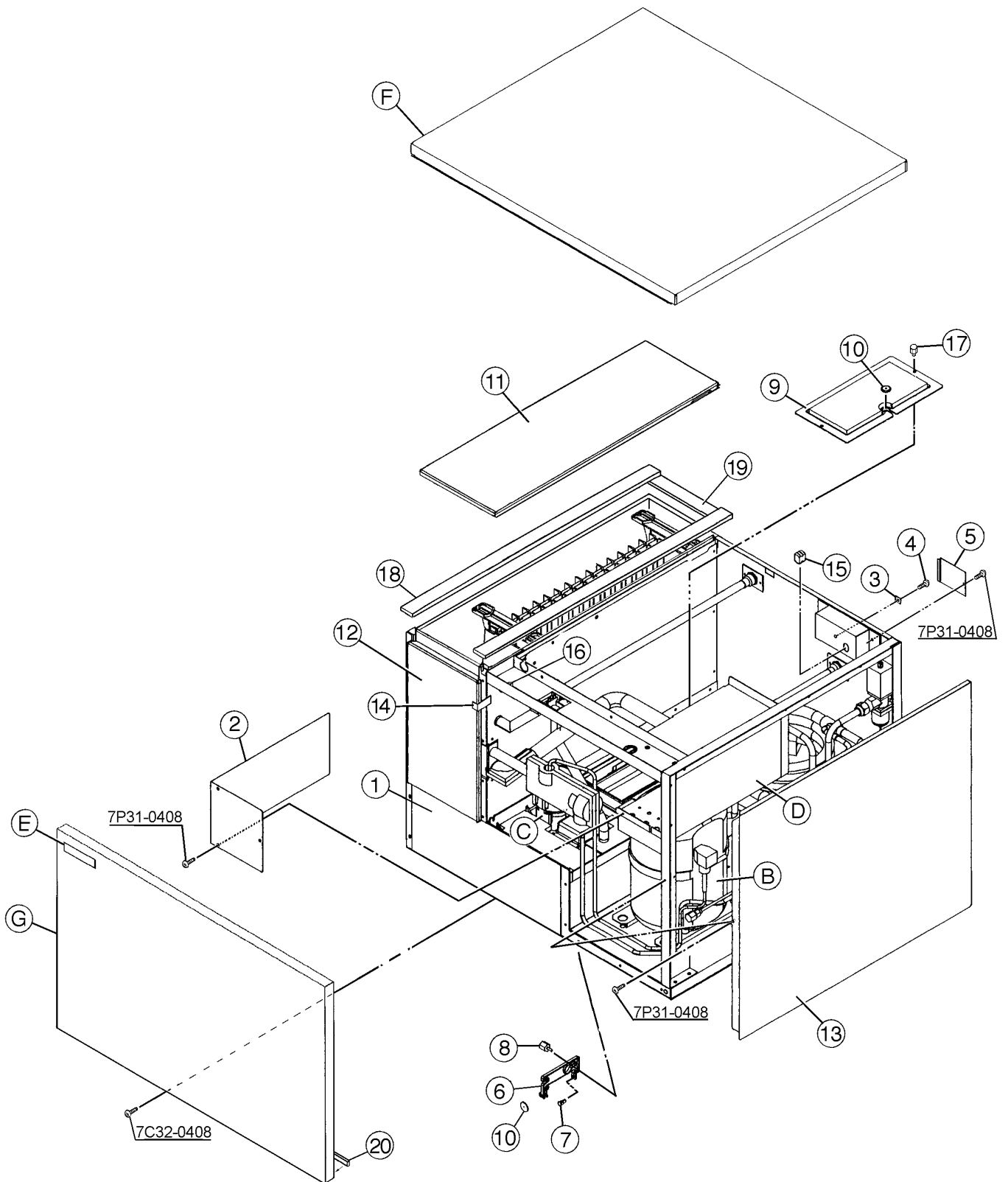
Ex.3





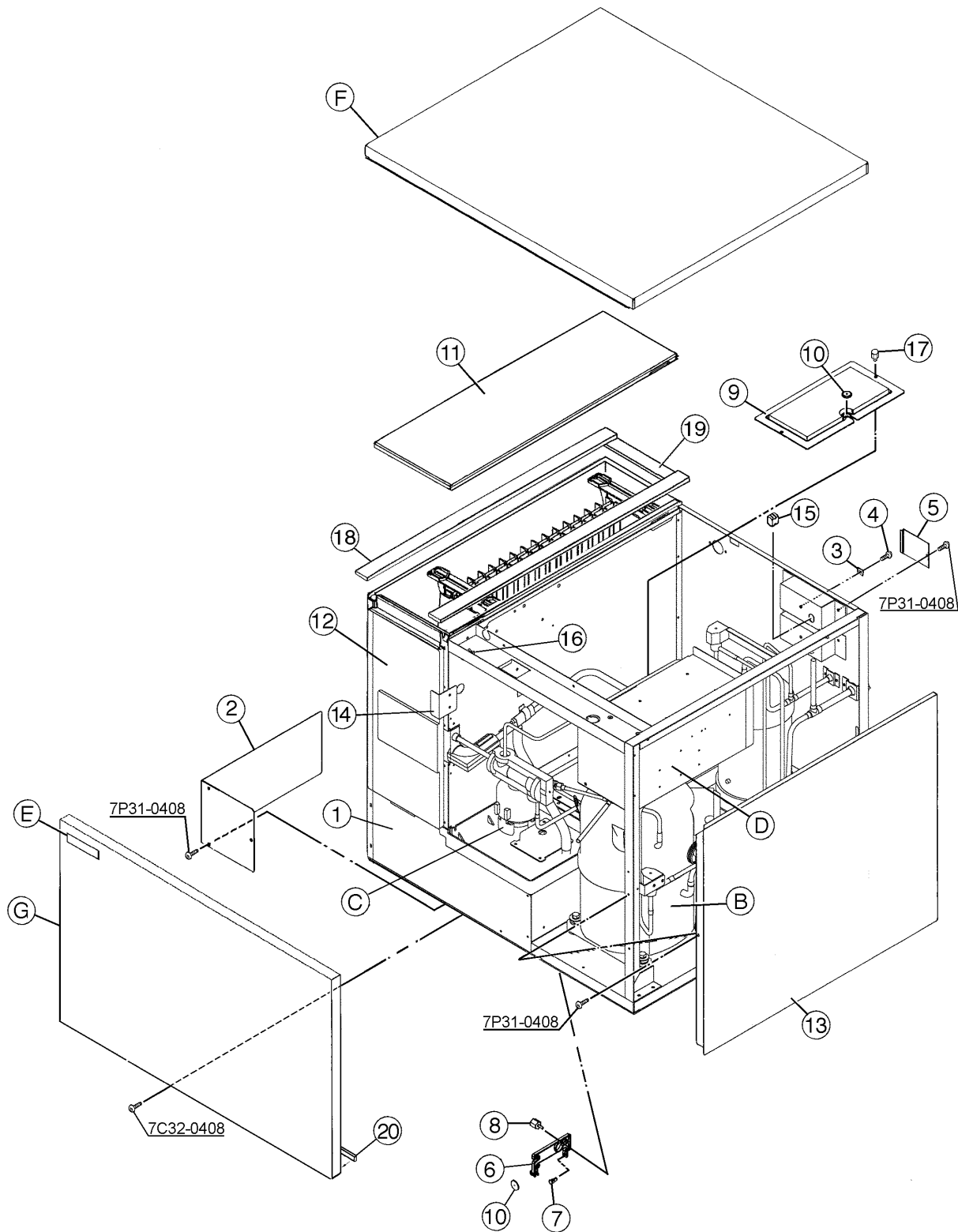
HA

MODEL: KML-600MAF TITLE: A. ICE CUBER ASSEMBLY								
INDEX NO.	DESCRIPTION	MATERIAL OR MODEL NUMBER	PART NUMBER	REQUIRED NUMBER				
				J-0	K-0	L-0		
B	REFRIGERATION CIRCUIT	-	1A0280A01	1	1	1		
C	WATER CIRCUIT	HS-1202	2A1195A02	1	1	1		
D	CONTROL BOX ASSEMBLY	HS-1106	2A0657A09	1	1	1		
	T2 SCREW	4 X 8	7P31-0408	3	3	3		
E	LABEL LOCATION	-	3A1077A01	1	1	1		
F	TOP PANEL ASSEMBLY	-	3A0674A01	1	1	1		
G	FRONT PANEL	-	3A1083A01	1	1	1		
	TRUSS HEAD SCREW	4 X 8, SS	7C32-0408	1	1	1		
1	EVAPORATOR CASE	HS-1007	2A1179G02	1	1	1		
2	CONTROL BOX COVER	GS	3A0594-01	1	1	1		
	T2 SCREW	4 X 8	7P31-0408	3	3	3		
3	SQUARE WASHER	BRASS	433537-02	1	1	1		
4	SCREW - GROUNDING	BRASS	433304-02	1	1	1		
5	JUNCTION BOX COVER	GS	433410-01	1	1	1		
	T2 SCREW	4 X 8	7P31-0408	1	1	1		
6	THERMOSTAT EXTENSION BRACKET	SS	4A1722-01	1	1	1		
7	SPACER	PE	443545-01	1	1	1		
8	THUMBSCREW	SS, ABS	415949G03	2	2	2		
9	BIN CONTROL COVER	GS	3A0664G01	1	1	1		
10	CAPILLARY RING	EP RUBBER	425307-01	2	2	2		
11	TOP INSULATION	PP	215730G01	1	1	1		
12	FRONT INSULATION	PP	2A0664G02	1	1	1		
13	SIDE PANEL (R)	SS	2A1198G01	1	1	1		
	T2 SCREW	4 X 8, SS	7P32-0408	1	1	1		
14	BARRIER - INSULATION	GS	4A1167-01	1	1	1		
	T2 SCREW	4 X 8	7P31-0408	2	2	2		
15	LOUVER (B)	ABS	103121-05	1	1	1		
16	TAPPING SCREW (BLACK)	STEEL, 4 X 8	433954-01	2	2	2		



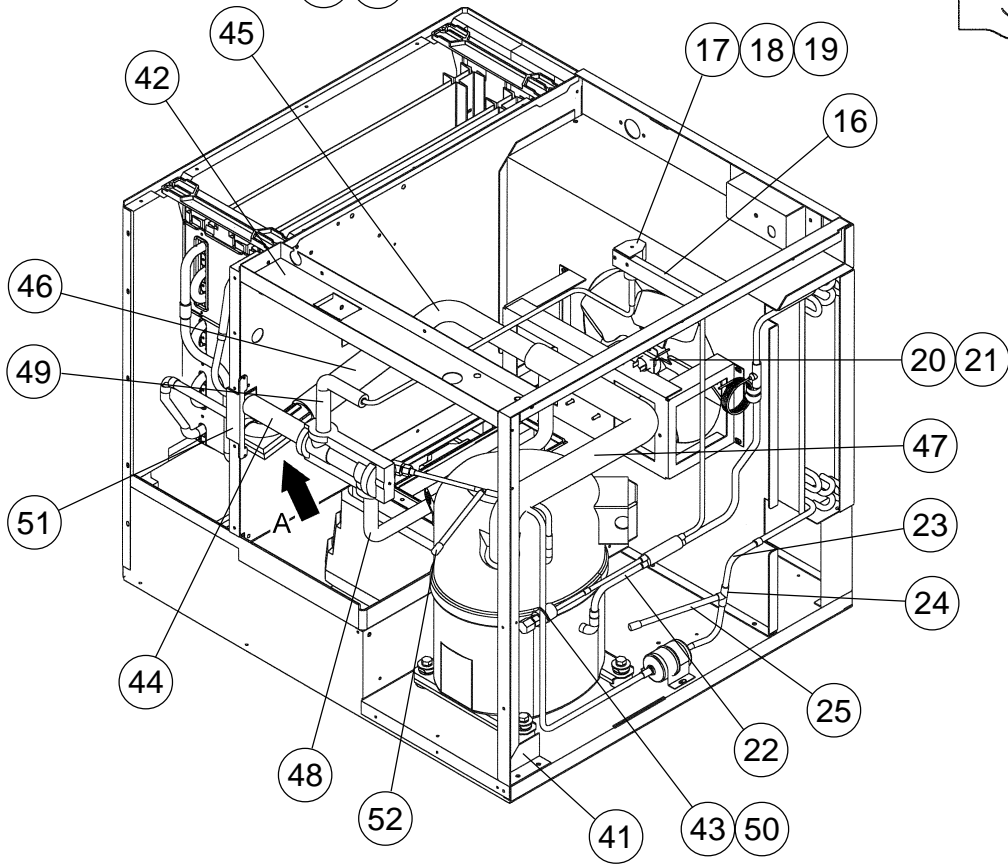
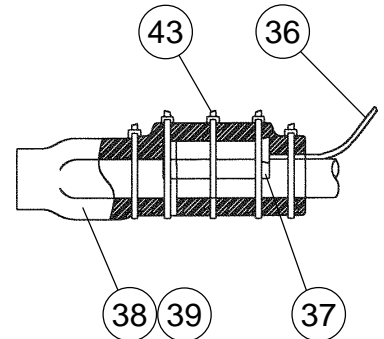
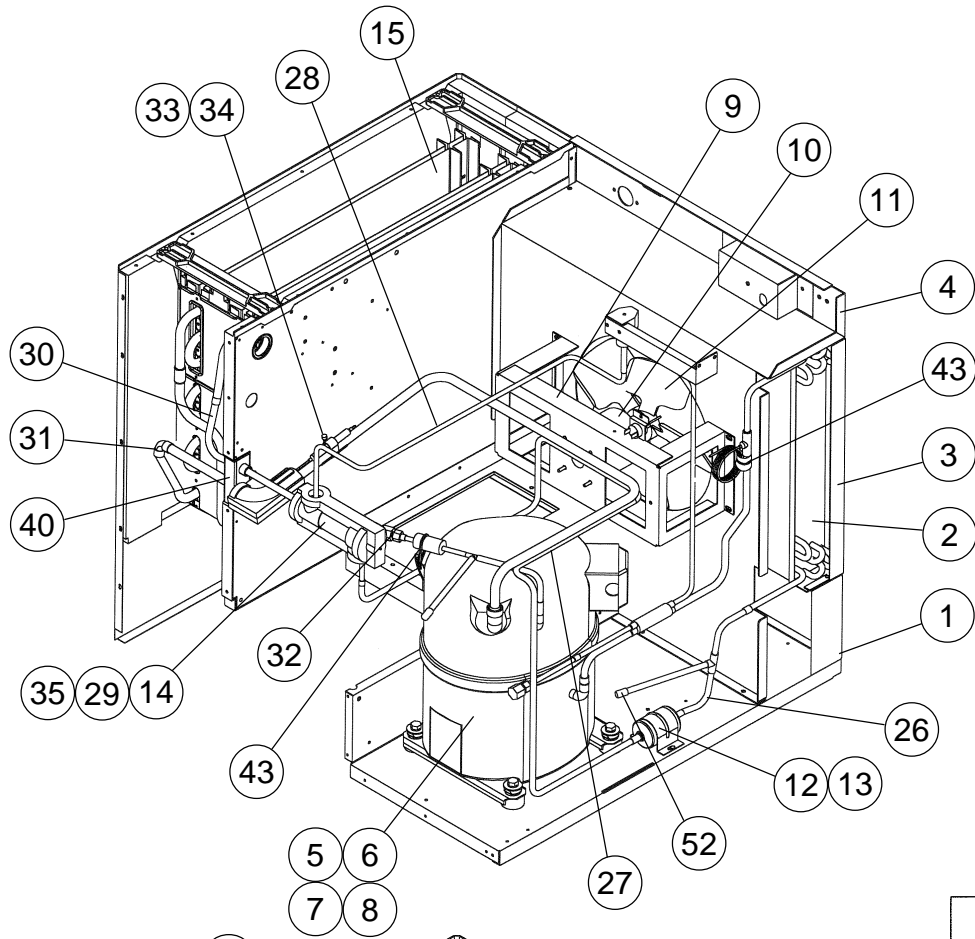
HA

MODEL: KML-600MWF TITLE: A. ICE CUBER ASSEMBLY								
INDEX NO.	DESCRIPTION	MATERIAL OR MODEL NUMBER	PART NUMBER	REQUIRED NUMBER				
				J-0	K-0	L-0		
B	REFRIGERATION CIRCUIT	-	1A0300A01	1	1	1		
C	WATER CIRCUIT	HS-1202	2A1195A02	1	1	1		
D	CONTROL BOX ASSEMBLY	HS-1107	2A0657A10	1	1	1		
	T2 SCREW	4 X 8	7P31-0408	3	3	3		
E	LABEL LOCATION	-	3A1079A01	1	1	1		
F	TOP PANEL ASSEMBLY	-	3A0674A01	1	1	1		
G	FRONT PANEL	-	3A1083A02	1	1	1		
	TRUSS HEAD SCREW	4 X 8, SS	7C32-0408	1	1	1		
1	EVAPORATOR CASE	HS-1007	2A1179G02	1	1	1		
2	CONTROL BOX COVER	GS	3A0594-01	1	1	1		
	T2 SCREW	4 X 8	7P31-0408	3	3	3		
3	SQUARE WASHER	BRASS	433537-02	1	1	1		
4	SCREW - GROUNDING	BRASS	433304-02	1	1	1		
5	JUNCTION BOX COVER	GS	433410-01	1	1	1		
	T2 SCREW	4 X 8	7P31-0408	1	1	1		
6	THERMOSTAT EXTENSION BRACKET	SS	4A1722-01	1	1	1		
7	SPACER	PE	443545-01	1	1	1		
8	THUMBSCREW	SS, ABS	415949G03	2	2	2		
9	BIN CONTROL COVER	GS	3A0664G01	1	1	1		
10	CAPILLARY RING	EP RUBBER	425307-01	2	2	2		
11	TOP INSULATION	PP	215730G01	1	1	1		
12	FRONT INSULATION	PP	2A0664G02	1	1	1		
13	SIDE PANEL (R)	SS	2A1198G01	1	1	1		
	T2 SCREW	4 X 8, SS	7P32-0408	1	1	1		
14	BARRIER - INSULATION	GS	4A1167-01	1	1	1		
	T2 SCREW	4 X 8, SS	7P32-0408	2	2	2		
15	BUSHING	SR-30-1	420472-03	1	1	1		



HA

MODEL: KML-600MRF TITLE: A. ICE CUBER ASSEMBLY								
INDEX NO.	DESCRIPTION	MATERIAL OR MODEL NUMBER	PART NUMBER	REQUIRED NUMBER				
				J-0	K-0	L-0		
B	REFRIGERATION CIRCUIT	-	1A0281A01	1	1	1		
C	WATER CIRCUIT	HS-1202	2A1195A02	1	1	1		
D	CONTROL BOX ASSEMBLY	HS-1107	2A0657A10	1	1	1		
	T2 SCREW	4 X 8	7P31-0408	3	3	3		
E	LABEL LOCATION	-	3A1078A01	1	1	1		
F	TOP PANEL ASSEMBLY	-	3A0674A01	1	1	1		
G	FRONT PANEL	-	3A1083A02	1	1	1		
	TRUSS HEAD SCREW	4 X 8, SS	7C32-0408	1	1	1		
1	EVAPORATOR CASE	HS-1007	2A1179G02	1	1	1		
2	CONTROL BOX COVER	GS	3A0594-01	1	1	1		
	T2 SCREW	4 X 8	7P31-0408	3	3	3		
3	SQUARE WASHER	BRASS	433537-02	1	1	1		
4	SCREW - GROUNDING	BRASS	433304-02	2	2	2		
5	JUNCTION BOX COVER	GS	433410-01	2	2	2		
	T2 SCREW	4 X 8	7P31-0408	2	2	2		
6	THERMOSTAT EXTENSION BRACKET	SS	4A1722-01	1	1	1		
7	SPACER	PE	443545-01	1	1	1		
8	THUMBSCREW	SS, ABS	415949G03	2	2	2		
9	BIN CONTROL COVER	GS	3A0664G01	1	1	1		
10	CAPILLARY RING	EP RUBBER	425307-01	2	2	2		
11	TOP INSULATION	PP	215730G01	1	1	1		
12	FRONT INSULATION	PP	2A0664G02	1	1	1		
13	SIDE PANEL (R)	SS	2A1198G01	1	1	1		
	T2 SCREW	4 X 8, SS	7P32-0408	1	1	1		
14	BARRIER - INSULATION	GS	4A1167-01	1	1	1		
	T2 SCREW	4 X 8, SS	7P32-0408	2	2	2		
15	BUSHING	SR-30-1	420472-03	1	1	1		

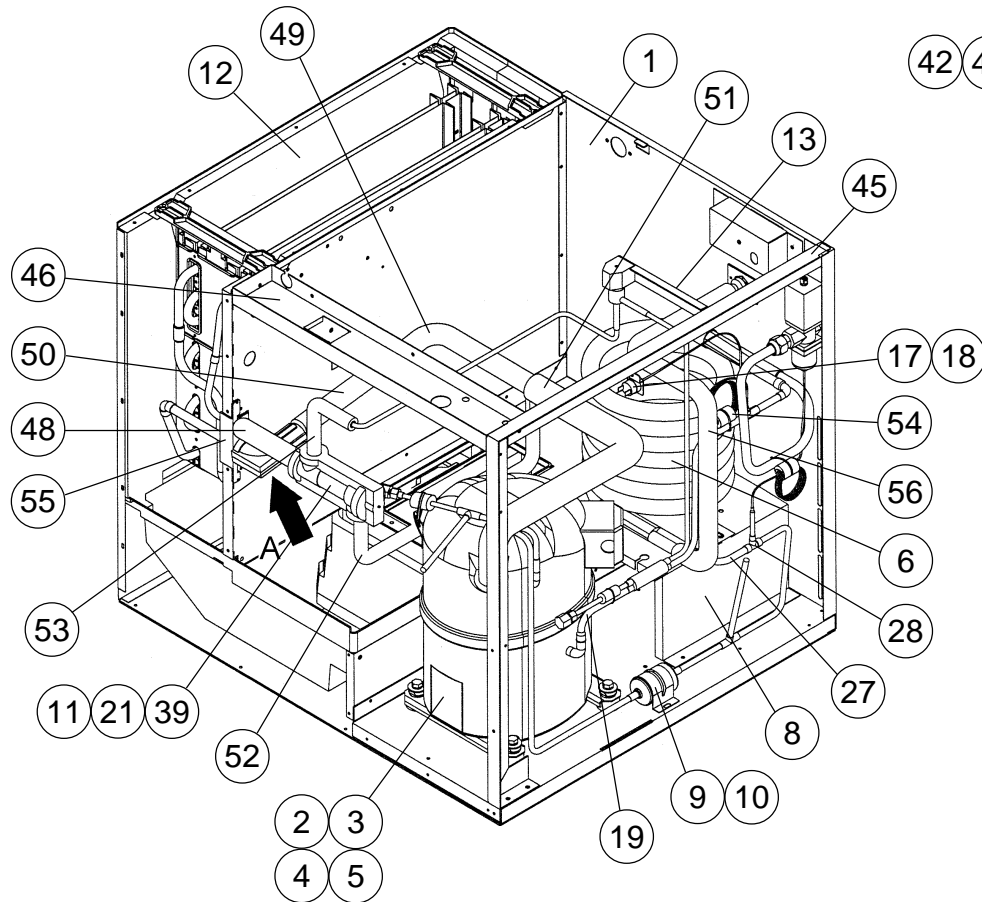
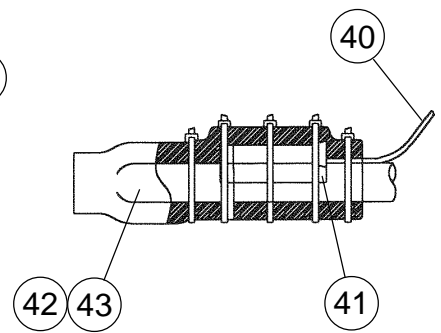
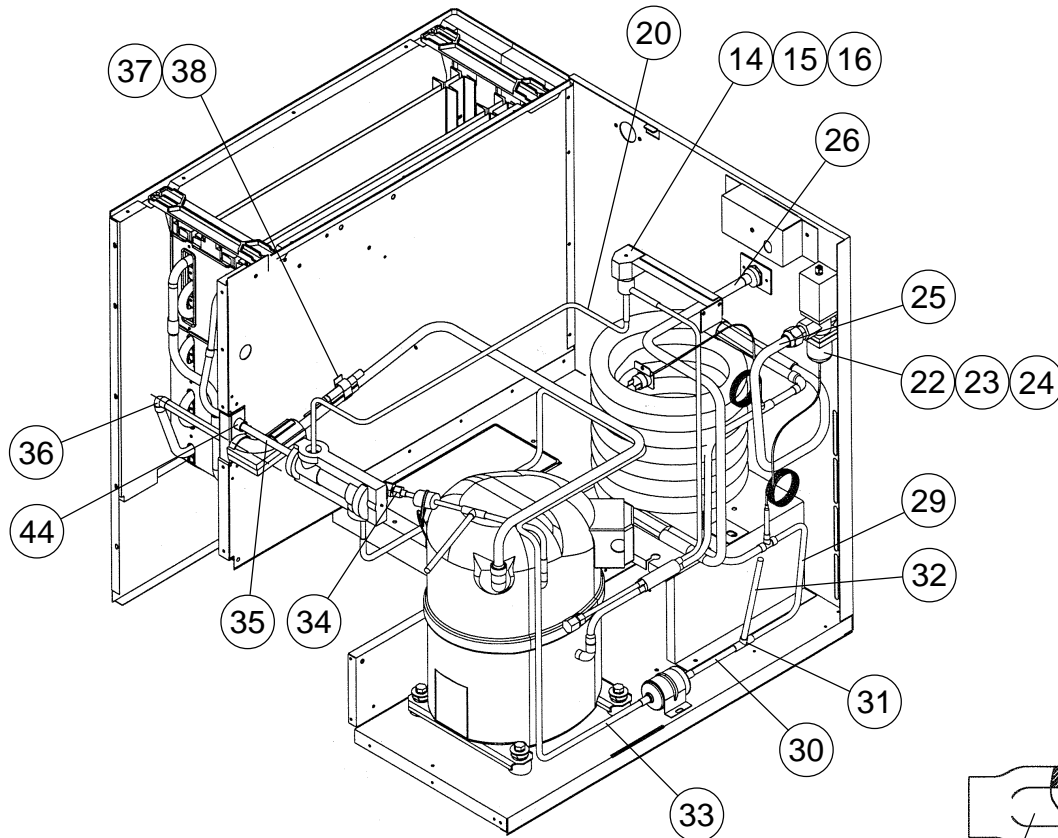


HA

MODEL: KML-600MAF TITLE: B. REFRIGERATION CIRCUIT								
INDEX NO.	DESCRIPTION	MATERIAL OR MODEL NUMBER	PART NUMBER	REQUIRED NUMBER				
				J-0	K-0	L-0		
1	CONDENSER SUPPORT	GS	3A0589-01	1	1	1		
	T2 SCREW	4 X 8	7P31-0408	5	5	5		
2	CONDENSER	HEATCRAFT	1A0261-01	1	1	1		
	T2 SCREW	4 X 8	7P31-0408	3	3	3		
3	BARRIER	GS	4A1496-01	1	1	1		
	T2 SCREW	4 X 8	7P31-0408	2	2	2		
4	SHROUD	GS	3A1027G01	1	1	1		
	T2 SCREW	4 X 8	7P31-0408	5	5	5		
5	COMPRESSOR	CS10K6E-PFV-237	4A1539-01	1	1	1		
6	BOLT	8 x 45	437889-01	4	4	4		
7	SPACER	028-0188-02	434921-01	4	4	4		
8	GROMMET	027-0167-00	434922-01	4	4	4		
9	FAN MOTOR BRACKET	GS	2A0181-01	1	1	1		
	HEX HEAD BOLT W/WASHER (LF)	5X12	7B0130512	4	4	4		
10	FAN MOTOR	U90B1 7190-1031	440911-01	1	1	1		
	SELF LOCKING NUT	NO. 8-32	7N2110832	4	4	4		
11	FAN BLADE	AD10CW32	444898-01	1	1	1		
12	DRIER	CW-0325-S	4A1413-01	1	1	1		
13	DRIER BRACKET	GS	4A0807-01	1	1	1		
	T2 SCREW	4X8	7P31-0408	2	2	2		
14	EXP. VALVE	HFE-15 NHD-2	4A1482-01	1	1	1		
15	EVAPORATOR	-	106492G01	1	1	1		
	T2 SCREW	4X16, SS	7P32-0416	4	4	4		
16	HOT GAS VALVE BRACKET	GS	4A1999-01	1	1	1		
	T2 SCREW	4X8	7P31-0408	2	2	2		
17	VALVE BODY	70	440352-01	1	1	1		
18	COIL-VALVE	ABS-25-1-HD-2	440353-01	1	1	1		
19	BOLT	M4 X 0.7	440353F01	1	1	1		
	TRUSS HEAD SCREW	4X8	7C31-0408	2	2	2		

HA

MODEL: KML-600MAF TITLE: B. REFRIGERATION CIRCUIT								
INDEX NO.	DESCRIPTION	MATERIAL OR MODEL NUMBER	PART NUMBER	REQUIRED NUMBER				
				J-0	K-0	L-0		
20	PRESSURE SWITCH	ACB-1UB09	433441-07	1	1	1		
21	PRESSURE SWITCH BRACKET	GS	434938-01	1	1	1		
	T2 SCREW	4X8	7P31-0408	1	1	1		
22	COPPER TUBE-HIGH SIDE	COPPER	1A0264G01	1	1	1		
23	COPPER TUBE (D)-HIGH SIDE	COPPER	4A0991-01	1	1	1		
24	TEE	COPPER	420041-11	1	1	1		
25	EVACUATION TUBE	COPPER	4A1212-02	1	1	1		
26	COPPER TUBE (D2)-HIGH SIDE	COPPER	4A1213-01	1	1	1		
27	HEAT EXCHANGER	COPPER	1A0256G01	1	1	1		
28	COPPER TUBE (C) -HOT GAS	COPPER	3A1024-01	1	1	1		
29	TEE	COPPER	436000-08	1	1	1		
30	COPPER TUBE (A)-LOW SIDE	COPPER	4A1515-01	1	1	1		
31	ELBOW	COPPER	417395-03	1	1	1		
32	ACCESS VALVE	-	457729-01	1	1	1		
33	HOLDER / EXP. VALVE-3/8	SS	3A0107-01	1	1	1		
34	CLAMP	SS	443461-02	1	1	1		
35	EXP. VALVE COVER	PE FOAM	3A0944-01	1	1	1		
36	THERMISTOR	-	429006-03	1	1	1		
37	HOLDER-THERMISTOR	COPPER	427430-01	1	1	1		
38	INSULATION-THERMISTOR(A)	PE FOAM	439368-01	1	1	1		
39	INSULATION-THERMISTOR(B)	PE FOAM	439368-02	1	1	1		
40	INSULATED RUBBER TUBE	-	4A1008G01	1	1	1		
41	FRAME (A)	GS	2A1153-01	1	1	1		
	T2 SCREW	4X8	7P31-0408	4	4	4		
42	FRAME (B)	GS	3A0595-01	1	1	1		
	T2 SCREW	4X8	7P31-0408	4	4	4		
	CABLE TIE	CV-200	7920-0010	14	14	14		
43	INSULATION TUBE	L=125	7762-1030	1	1	1		
44	INSULATION TUBE	L=300	7762-1330	1	1	1		
45	INSULATION TUBE	L=200	7762-2943	1	1	1		



HA

MODEL: KML-600MMF TITLE: B. REFRIGERATION CIRCUIT								
INDEX NO.	DESCRIPTION	MATERIAL OR MODEL NUMBER	PART NUMBER	REQUIRED NUMBER				
				J-0	K-0	L-0		
1	REAR PANEL	GS	3A1115G01	1	1	1		
	T2 SCREW	4X8	7P31-0408	9	9	9		
2	COMPRESSOR	CS10K6E-PFV-237	4A1539-01	1	1	1		
3	BOLT	8X45	437889-01	4	4	4		
4	SPACER	028-0188-02	434921-01	4	4	4		
5	GROMMET	027-0167-00	434922-01	4	4	4		
6	CONDENSER – WATER COOLED	H-2 ¼-1	4A1536-01	1	1	1		
	HEX. HEAD BOLT W/WASHER (LF)	4X12	7B0130512	3	3	3		
8	COND. SUPPORT	GS	2A0655-01	1	1	1		
	T2 SCREW	4X8	7P31-0408	4	4	4		
9	DRIER	CW-0325-S	4A1413-01	1	1	1		
10	DRIER BRACKET	GS	4A0807-01	1	1	1		
	T2 SCREW	4X8	7P31-0408	2	2	2		
11	EXP. VALVE	HFE-15 NHD-2	4A1482-01	1	1	1		
12	EVAPORATOR	-	106492G01	1	1	1		
	T2 SCREW	4X16, SS	7P31-0408	4	4	4		
13	HOT GAS VALVE BRACKET	GS	4A1999-01	1	1	1		
	T2 SCREW	4X8	7P31-0408	2	2	2		
14	VALVE BODY	70	440352-01	1	1	1		
15	COIL – VALVE	ABS-25-1-HD-2	440353-01	1	1	1		
16	BOLT	M4 X 0.7	440353F01	1	1	1		
	TRUSS HEAD SCREW	4X8	7C31-0408	2	2	2		
17	PRESSURE SWITCH	ACB-2UB04	433441-05	1	1	1		
18	PRESSURE SWITCH BRACKET	GS	434938-01	1	1	1		
	T2 SCREW	4X8	7P31-0408	1	1	1		
19	COPPER TUBE-HIGH SIDE	COPPER	3A1114G01	1	1	1		
20	COPPER TUBE (C) – HOT GAS	COPPER	3A1024-01	1	1	1		
21	TEE	COPPER	436000-08	1	1	1		
22	WATER REGULATOR	V46DA-3	4A0911-03	1	1	1		
23	TRUSS HEAD SCREW	4X6	7C31-0406	2	2	2		

HA

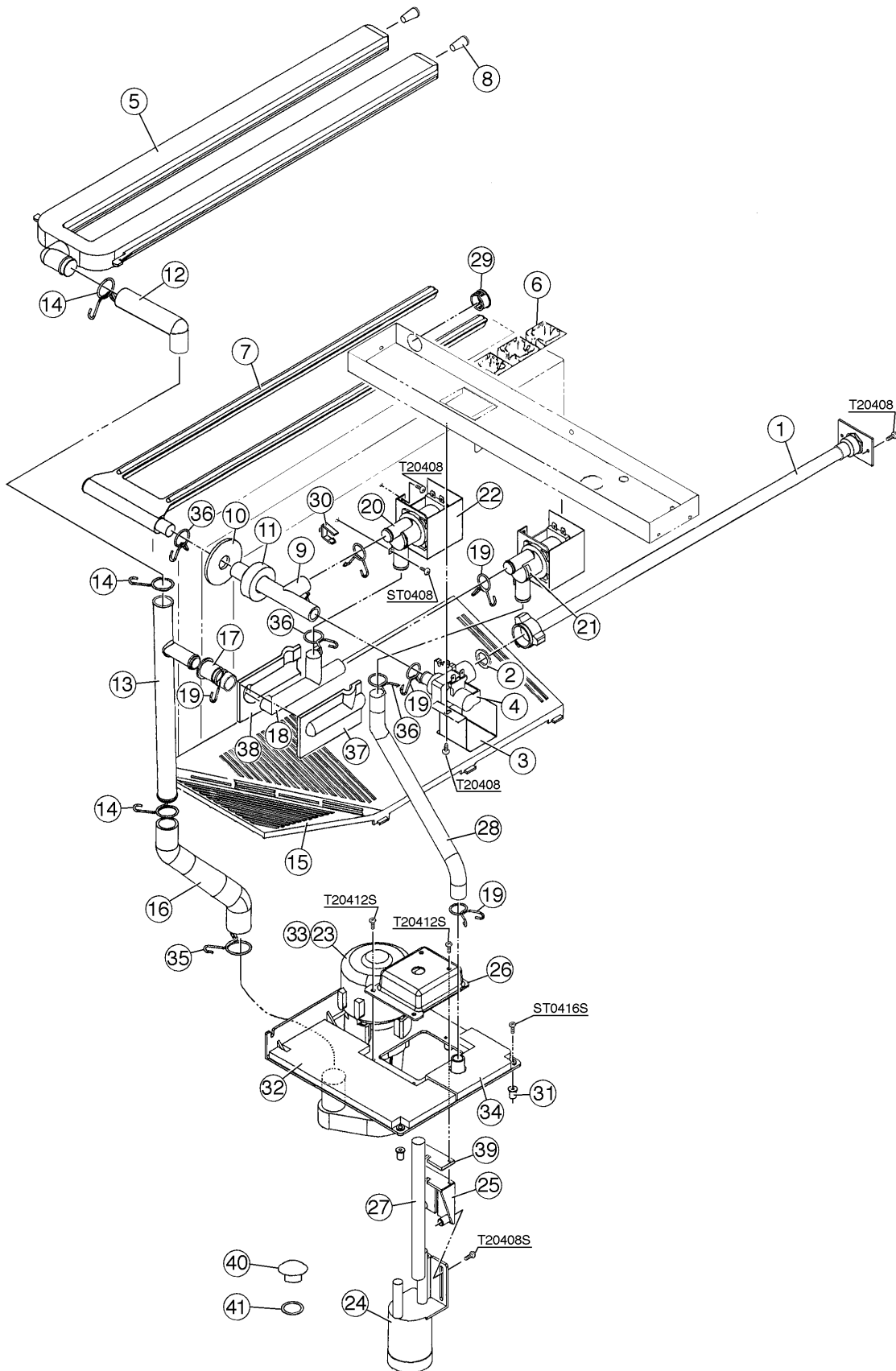
MODEL: KML-600MMWF TITLE: B. REFRIGERATION CIRCUIT								
INDEX NO.	DESCRIPTION	MATERIAL OR MODEL NUMBER	PART NUMBER	REQUIRED NUMBER				
				J-0	K-0	L-0		
24	MALE CONNECTOR	BRASS	4A1087-01	1	1	1		
25	COPPER TUBE-CONDENSER OUTLET	COPPER	4A1634G01	1	1	1		
26	COPPER TUBE-CONDENSER INLET	COPPER	3A1112G01	1	1	1		
27	COPPER TUBE (D1) – HIGH SIDE	COPPER	4A1654-01	1	1	1		
28	TEE	COPPER	436000-06	1	1	1		
29	COPPER TUBE (D2) – HIGH SIDE	COPPER	4A1649-01	1	1	1		
30	COPPER TUBE (D3) – HIGH SIDE	COPPER	4A1648-01	1	1	1		
31	TEE	COPPER	420041-11	1	1	1		
32	EVACUATION TUBE	COPPER	4A1212-02	1	1	1		
33	HEAT EXCHANGER	COPPER	1A0256G01	1	1	1		
34	ACCESS VALVE	COPPER	457729-01	1	1	1		
35	COPPER TUBE (A) – LOW SIDE	COPPER	4A1515-01	1	1	1		
36	ELBOW	COPPER	417395-03	1	1	1		
37	HOLDER/EXP. VALVE-3/8	SS	3A0107-01	1	1	1		
38	CLAMP	SS	443461-02	1	1	1		
39	EXP. VALVE COVER	PE FOAM	3A0944-01	1	1	1		
40	THERMISTOR	-	429006-03	1	1	1		
41	HOLDER-THERMISTOR	COPPER	427430-01	1	1	1		
42	INSULATION-THERMISTOR (A)	PE FOAM	439368-01	1	1	1		
43	INSULATION-THERMISTOR (B)	PE FOAM	439368-02	1	1	1		
44	INSULATED RUBBER TUBE	-	4A1008G01	1	1	1		
45	FRAME (A)	GS	2A1153-01	1	1	1		
	T2 SCREW	4X8	7P31-0408	4	4	4		
46	FRAME (B)	GS	3A0595-01	1	1	1		
	T2 SCREW	4X8	7P31-0408	4	4	4		
47	CABLE TIE	CV-200	7920-0010	14	14	14		
48	INSULATION TUBE	L=125	7762-1030	1	1	1		
49	INSULATION TUBE	L=300	7762-1330	1	1	1		
50	INSULATION TUBE	L=200	7762-2943	1	1	1		
51	INSULATION TUBE	L=570	7762-2040	1	1	1		

HA

MODEL: KML-600MRF TITLE: B. REFRIGERATION CIRCUIT								
INDEX NO.	DESCRIPTION	MATERIAL OR MODEL NUMBER	PART NUMBER	REQUIRED NUMBER				
				J-0	K-0	L-0		
1	REAR PANEL	GS	3A1068G01	1	1	1		
	T2 SCREW	4X8	7P31-0408	9	9	9		
2	COMPRESSOR	CS10K6E-PFV-279	4A1539-02	1	1	1		
3	BOLT	8X45	437889-01	4	4	4		
4	SPACER	028-0188-02	434921-01	4	4	4		
5	GROMMET	027-0167-00	434922-01	4	4	4		
6	RECEIVER TANK	RRMNWP450	437652-01	1	1	1		
	HEX. HEAD BOLT W/WASHER (LF)	5X10	7B0130510	3	3	3		
7	COND. SUPPORT	GS	2A0655-02	1	1	1		
	T2 SCREW	4X8	7P31-0408	4	4	4		
8	DRIER	CW-0325-S	4A1413-01	1	1	1		
9	DRIER BRACKET	GS	4A0807-01	1	1	1		
	T2 SCREW	4X8	7P31-0408	2	2	2		
10	EXP. VALVE	HFE-15 NHD-2	4A1482-01	1	1	1		
11	EVAPORATOR	-	106492G01	1	1	1		
	T2 SCREW	4X16, SS	7P32-0416	4	4	4		
12	HOT GAS VALVE BRACKET	GS	4A1999-01	1	1	1		
	T2 SCREW	4X8	7P31-0408	2	2	2		
13	VALVE BODY	70	440352-01	2	2	2		
14	COIL-VALVE	ABS-25-1-HD-2	440353-01	2	2	2		
15	BOLT	M4 X 0.7	440353F01	2	2	2		
	TRUSS HEAD SCREW	4X8	7C31-0408	4	4	4		
16	PRESSURE SWITCH	ACB-1UB09	433441-07	1	1	1		
17	PRESSURE SWITCH BRACKET	GS	434938-01	1	1	1		
	T2 SCREW	4X8	7P31-0408	1	1	1		
18	COPPER TUBE-HIGH SIDE	COPPER	1A0265G01	1	1	1		
19	COPPER TUBE (C) – HOT GAS	COPPER	3A1024-01	1	1	1		
20	TEE	COPPER	436000-08	1	1	1		
21	COUPLING	BRASS	434136G01	1	1	1		
22	TUBE HOLDER-L	GS	438245-01	1	1	1		

HA

MODEL: KML-600MRF TITLE: B. REFRIGERATION CIRCUIT								
INDEX NO.	DESCRIPTION	MATERIAL OR MODEL NUMBER	PART NUMBER	REQUIRED NUMBER				
				J-0	K-0	L-0		
	T2 SCREW	4X8	7P31-0408	2	2	2		
23	COUPLING	BRASS	433751G01	1	1	1		
24	TUBE HOLDER-S	GS	438246-01	1	1	1		
	T2 SCREW	4X8	7P31-0408	2	2	2		
25	COPPER TUBE (B1)-HIGH SIDE	COPPER	4A1575-01	1	1	1		
26	TEE	COPPER	436000-09	1	1	1		
27	COPPER TUBE (C)-HIGH SIDE	COPPER	4A1521-01	1	1	1		
28	TEE	COPPER	436000-02	1	1	1		
29	COPPER TUBE (C2)-HIGH SIDE	COPPER	4A1574-01	1	1	1		
30	COPPER TUBE (D)-HIGH SIDE	COPPER	4A1523-01	1	1	1		
31	TEE	COPPER	420041-11	1	1	1		
32	EVACUATION TUBE	COPPER	4A1212-02	1	1	1		
33	COPPER TUBE (E)-HIGH SIDE	COPPER	4A1534-01	1	1	1		
34	COPPER TUBE (F)-HIGH SIDE	COPPER	4A1573-01	1	1	1		
35	HEAT EXCHANGER	COPPER	1A0257G01	1	1	1		
36	ACCESS VALVE	COPPER	457729-01	1	1	1		
37	COPPER TUBE (A)-LOW SIDE	COPPER	4A1515-01	1	1	1		
38	ELBOW	COPPER	417395-03	1	1	1		
39	HOLDER/EXP. VALVE – 3/8	SS	3A0107-01	1	1	1		
40	CLAMP	SS	443461-02	1	1	1		
41	EXP. VALVE COVER	PE FOAM	3A0944-01	1	1	1		
42	THERMISTOR	-	429006-03	1	1	1		
43	HOLDER-THERMISTOR	COPPER	427430-01	1	1	1		
44	INSULATION-THERMISTOR (A)	PE FOAM	439368-01	1	1	1		
45	INSULATION-THERMISTOR (B)	PE FOAM	439368-02	1	1	1		
46	INSULATED RUBBER TUBE	-	4A1008G01	1	1	1		
47	FRAME (A)	GS	2A1153-01	1	1	1		
	T2 SCREW	4X8	7P31-0408	4	4	4		
48	FRAME (B)	GS	3A0595-01	1	1	1		
	T2 SCREW	4X8	7P31-0408	4	4	4		

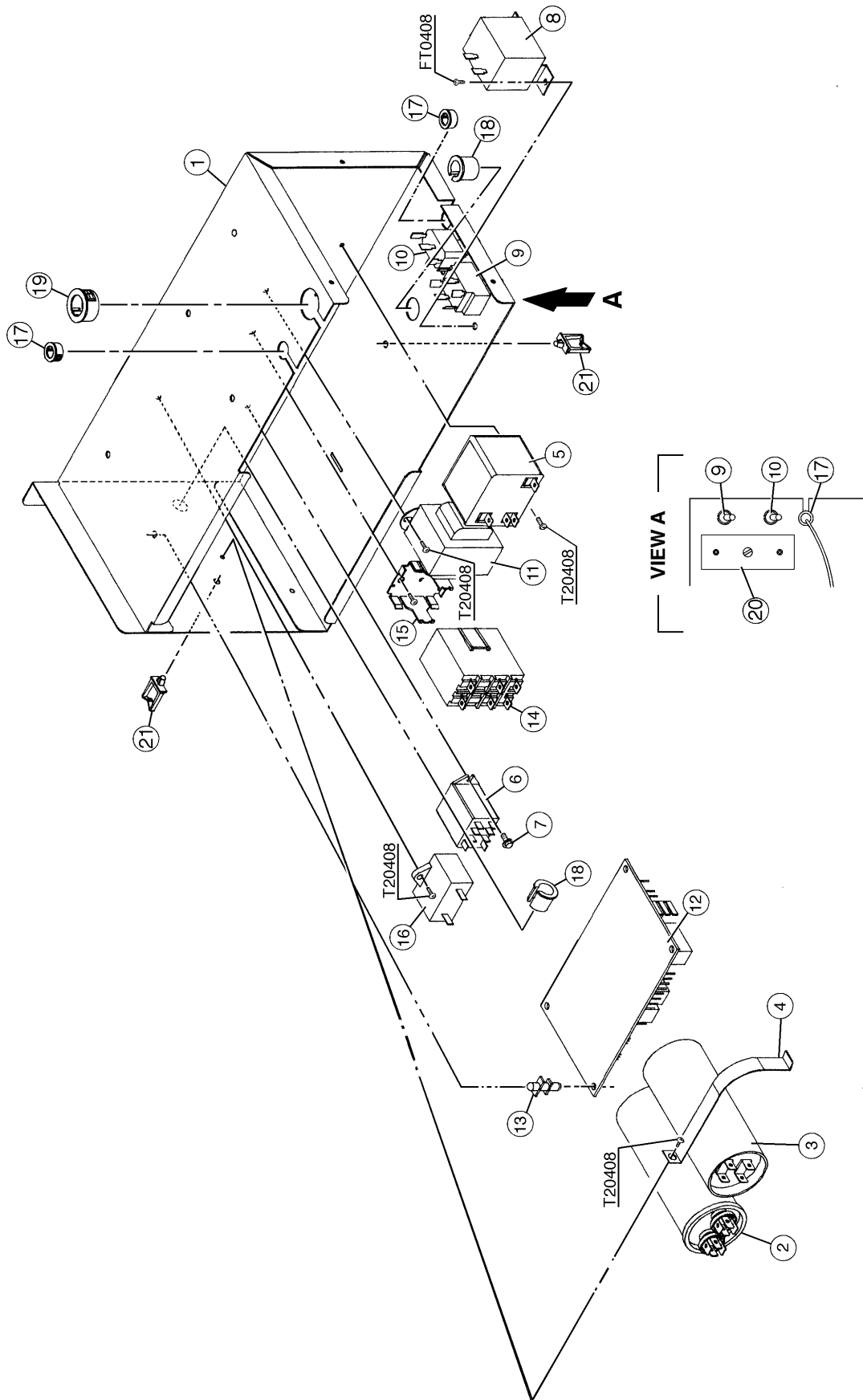


HA

MODEL: KML-600MAF, MVF, MRF TITLE: C. WATER CIRCUIT								
INDEX NO.	DESCRIPTION	MATERIAL OR MODEL NUMBER	PART NUMBER	REQUIRED NUMBER				
				J-0	K-0	L-0		
1	WATER SUPPLY PIPE	COPPER	4A0768G04	1	1	1		
	T2 SCREW	4 X 8	7P310408	2	2	2		
2	RUBBER GASKET	NR	413854-03	1	1	1		
3	WATER VALVE BRACKET	GS	321443-01	1	1	1		
	T2 SCREW	4 X 8	7P31-0408	1	1	1		
4	WATER VALVE	J248-033	3U0111-03	1	1	1		
5	SPRAY TUBE	PE	1A0260-02	1	1	1		
6	SPRAY GUIDE (A)	PE	208586-01	6	6	6		
7	WATER SUPPLY TUBE	PE	2A0079-01	1	1	1		
8	PLUG	EPDM	4A0176-01	2	2	2		
9	WATER SUPPLY TEE	SANTOPRENE	4A1006-01	1	1	1		
10	FLANGE	EPDM	439267-01	1	1	1		
11	INSULATION (E)	PE FOAM	4A0392-01	1	1	1		
12	ELBOW	SANTOPRENE	4A0393-01	1	1	1		
13	CONNECTING PIPE	PE	3A1335-02	1	1	1		
14	HOSE CLAMP	SS, 25 mm	427443-03	3	3	3		
15	CUBE GUIDE (A)	ABS	2A0660-01	1	1	1		
16	PUMP HOSE	EPDM	4A1007-01	1	1	1		
17	RUBBER RING	EPDM	4A1004-01	1	1	1		
18	BYPASS HOSE	SANTOPRENE	4A1005-01	1	1	1		
19	HOSE CLAMP	SS, 18 mm	427443-05	5	5	5		
20	SOLENOID VALVE	207CB-GS1873	439322-01	2	2	2		
	TRUSS HEAD SCREW	4 X 8	7C31-0408	4	4	4		
21	ARROW LABEL	PES	4A0096-01	1	1	1		
22	SOLENOID COVER	GS	4A0996-01	2	2	2		
	T2 SCREW	4 X 8	7P31-0408	4	4	4		
23	PUMP	SP-BG14LEJ16	2A0749-01	1	1	1		
	TRUSS HEAD SCREW	4X16, SS	7C32-0416	4	4	4		

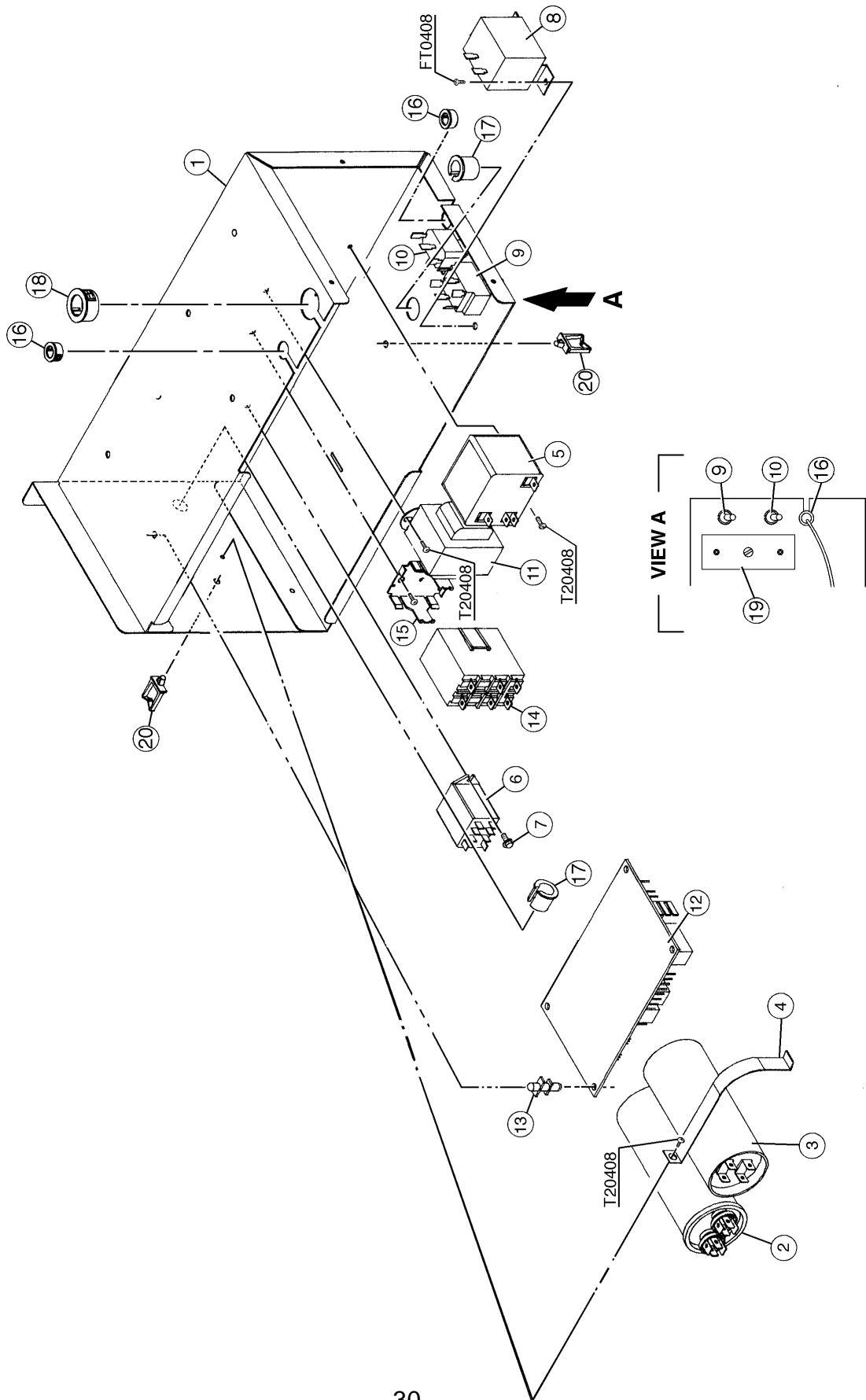
HA

MODEL: KML-600MAF, MWF, MRF TITLE: C. WATER CIRCUIT								
INDEX NO.	DESCRIPTION	MATERIAL OR MODEL NUMBER	PART NUMBER	REQUIRED NUMBER				
				J-0	K-0	L-0		
24	FLOAT SWITCH	163795	4A0886-01	1	1	1		
	T2 SCREW	4 X 8, SS	7P32-0408	2	2	2		
25	FLOAT SWITCH BRACKET	ABS	327757-01	1	1	1		
	T2 SCREW	4 X 12, SS	7P32-0412	2	2	2		
26	FLOAT SWITCH COVER	ABS	3A0665-01	1	1	1		
	T2 SCREW	4 X 8, SS	7P32-0408	3	3	3		
27	VINYL HOSE	L=150	7716-1216	1	1	1		
28	VINYL HOSE	L=370	7716-1519	1	1	1		
29	BUSHING	OCB-875	428394-04	1	1	1		
30	WIRE SADDLE	VWS4238-C	4A0338-02	8	8	8		
31	WELL NUT	347011	4A1070-01	2	2	2		
32	INSULATION (A) - PUMP BRACKET	PE FOAM	4A1052-01	1	1	1		
33	TOOTH WASHER	ZINC, M4	7R21-0400	1	1	1		
	T2 SCREW	4 X 8	7P31-0408	1	1	1		
34	INSULATION (B) - PUMP BRACKET	PE FOAM	4A1053-01	1	1	1		
35	HOSE CLAMP	SS, 27 mm	427443-08	1	1	1		
36	HOSE CLAMP	SS, 20 mm	427443-06	3	3	3		
37	INSULATION (A1) - BYPASS HOSE	NP	4A1259-01	1	1	1		
38	INSULATION (A2) - BYPASS HOSE	NP	4A1260-01	1	1	1		
39	FLOAT SWITCH SPACER	ABS	4A0650-01	1	1	1		
40	DRAIN	POLYACETAL	309246-01	1	1	1		
41	O-RING	1AP15	7611-P015	1	1	1		

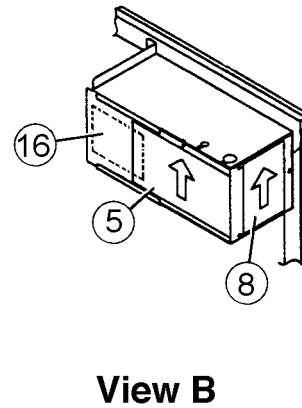
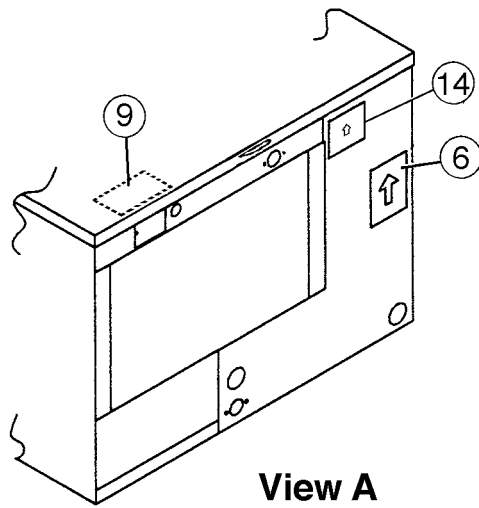
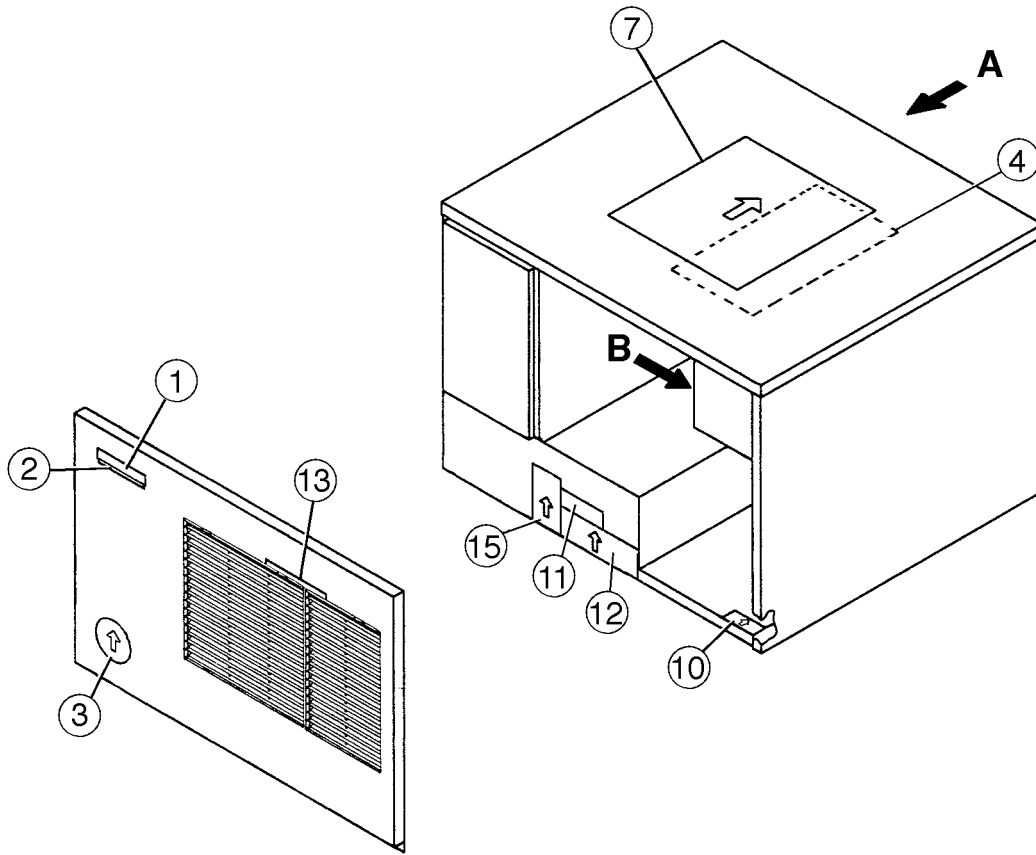


HA

MODEL: KML-600MAF TITLE: D. CONTROL BOX ASSEMBLY								
INDEX NO.	DESCRIPTION	MATERIAL OR MODEL NUMBER	PART NUMBER	REQUIRED NUMBER				
				J-0	K-0	L-0		
1	CONTROL BOX	GS	3A0602G01	1	1	1		
2	CAPACITOR	30µf 370 VAC	4A1631-02	1	1	1		
3	CAPACITOR - STARTING	145-174µf 22VAC	3A0076-11	1	1	1		
4	STRAP	GS	434875-01	1	1	1		
	T2 SCREW	4 X 8	7P31-0408	1	1	1		
5	STARTER	-	4A1107-13	1	1	1		
	T2 SCREW	4 X 8	7P31-0408	1	1	1		
6	RELAY	LY2F 120 VAC	406132-07	1	1	1		
7	TAPPING SCREW	3X8	431415-01	2	2	2		
8	THERMOSTAT	A30-3815-00	4A0824-01	1	1	1		
	TRUSS HEAD SCREW	4 X 8	7C31-0408	2	2	2		
9	TOGGLE SWITCH	7563K6	443119-01	1	1	1		
10	TOGGLE SWITCH	8966K211	4A0985-01	1	1	1		
11	TRANSFORMER	26D285H	3A0172-01	1	1	1		
	T2 SCREW	4 X 8	7P31-0408	2	2	2		
12	CONTROLLER BOARD	HOS-001A	2A1410-01	1	1	1		
13	BOARD SUPPORT	CBL537-M	4A0336-03	4	4	4		
14	MAGNETIC CONTACTOR	VC20	428393-01	1	1	1		
15	BRACKET	BW 9154	428393F01	1	1	1		
	T2 SCREW	4 X 8	7P31-0408	2	2	2		
16	CAPACITOR	5µf 250 VAC	443192-02	1	1	1		
	T2 SCREW	4 X 8	7P31-0408	1	1	1		
17	BUSHING	OCB-500	428394-02	2	2	2		
18	BUSHING	OCB-625	428394-03	2	2	2		
19	BUSHING	OCB-875	428394-04	1	1	1		
20	CONTROL LABEL	PES FILM	4A1758-01	1	1	1		
21	WIRE SADDLE	VWS4238-C	4A0338-03	2	2	2		

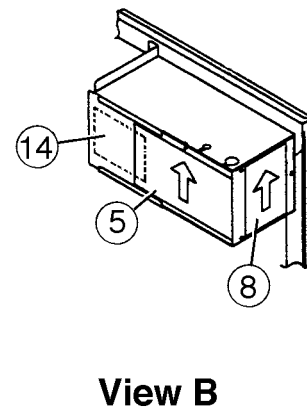
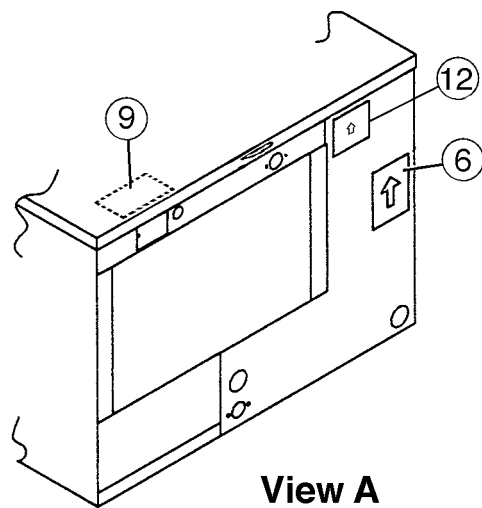
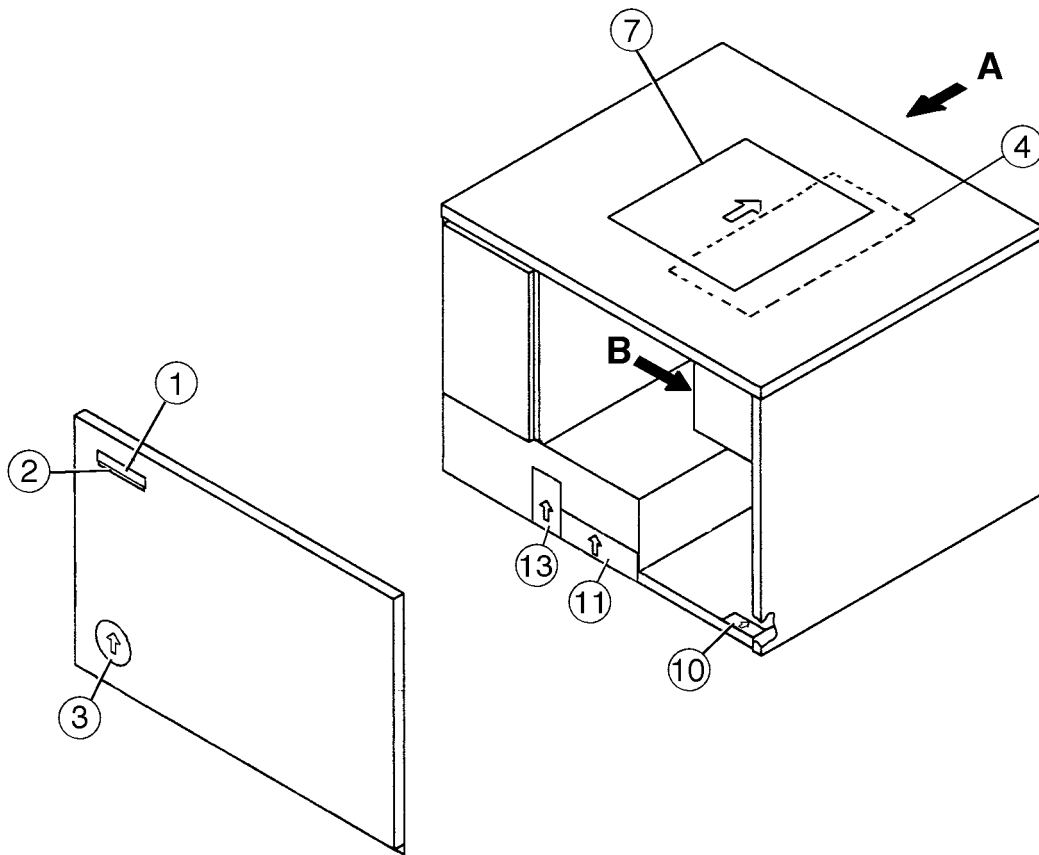


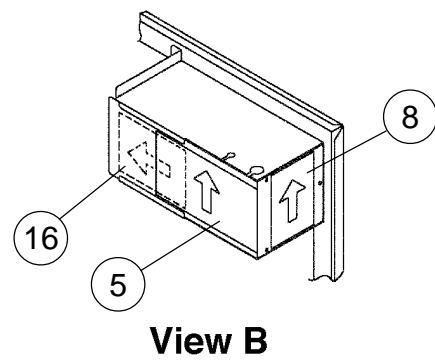
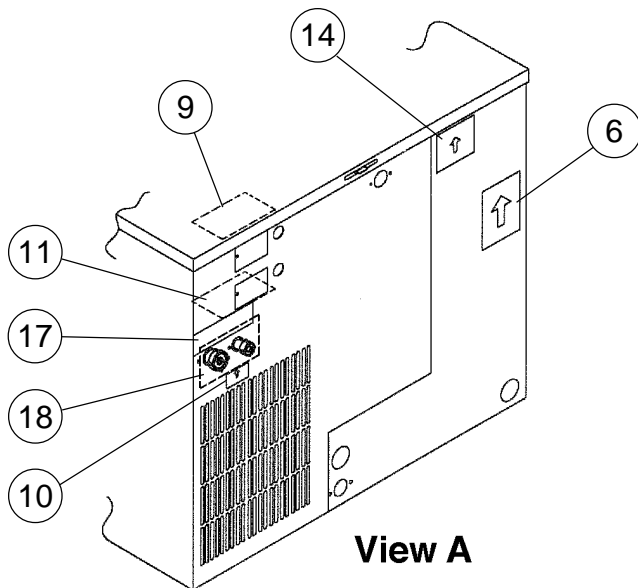
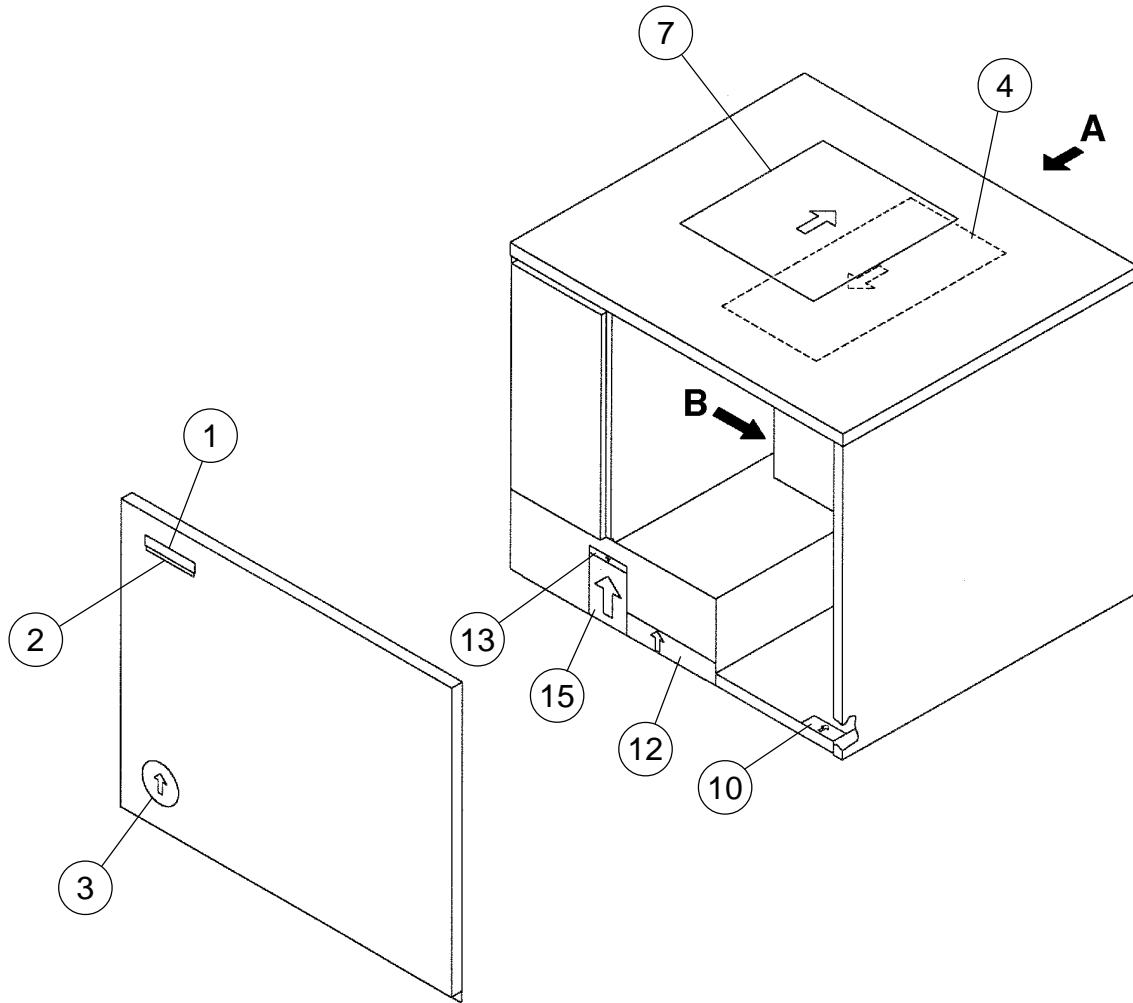
MODEL: KML-600MWF, MRF TITLE: D. CONTROL BOX ASSEMBLY								
INDEX NO.	DESCRIPTION	MATERIAL OR MODEL NUMBER	PART NUMBER	REQUIRED NUMBER				
				J-0	K-0	L-0		
1	CONTROL BOX	GS	3A0602G01	1	1	1		
2	CAPACITOR	30µf 370 VAC	4A1631-02	1	1	1		
3	CAPACITOR - STARTING	145-174µf 22V	3A0076-03	1	1	1		
4	STRAP	GS	434580-17	1	1	1		
	T2 SCREW	4 X 8	7P31-0408	1	1	1		
5	STARTER	-	4A1107-13	1	1	1		
	T2 SCREW	4 X 8	7P31-0408	1	1	1		
6	RELAY	LY2F 120 VAC	406132-07	1	1	1		
7	TAPPING SCREW	3X8	431415-01	2	2	2		
8	THERMOSTAT	A30-3815-00	4A0824-01	1	1	1		
	TRUSS HEAD SCREW	4 X 8	7C31-0408	2	2	2		
9	TOGGLE SWITCH	7563K6	443119-01	1	1	1		
10	TOGGLE SWITCH	8966K211	4A0985-01	1	1	1		
11	TRANSFORMER	26D285H	3A0172-01	1	1	1		
	T2 SCREW	4 X 8	7P31-0408	2	2	2		
12	CONTROLLER BOARD	HOS-001A	2A1410-01	1	1	1		
13	BOARD SUPPORT	CBL537-M	4A0336-03	4	4	4		
14	MAGNETIC CONTACTOR	VC20	428393-01	1	1	1		
15	BRACKET	BW9154	428393F01	1	1	1		
	T2 SCREW	4 X 8	7P31-0408	2	2	2		
16	BUSHING	OCB-500	428394-02	2	2	2		
17	BUSHING	OCB-625	428394-03	2	2	2		
18	BUSHING	OCB-875	428394-04	1	1	1		
19	CONTROL LABEL	PES FILM	4A1758-01	1	1	1		
20	WIRE SADDLE	VWS4238-C	4A0338-03	2	2	2		



HA

MODEL: KML-600MAF TITLE: E. LABEL LOCATION								
INDEX NO.	DESCRIPTION	MATERIAL OR MODEL NUMBER	PART NUMBER	REQUIRED NUMBER				
				J-0	K-0	L-0		
1	EMBLEM	PETP FILM	4A0560-01	1	1	1		
2	MODEL NUMBER LABEL	PETP FILM	4A1233-11	1	1	1		
3	LABEL - PENGUIN - HA (R)	PETP FILM	4A0526-01	1	1	1		
4	MAINTENANCE LABEL	PVC FILM	3A1696-01	1	1	1		
5	WIRING LABEL	PVC FILM	3A1073-01	1	1	1		
6	NAMEPLATE	PES FILM	4A1582-01	1	1	1		
7	INSTRUCTION SHEET	PAPER	2A1253-01	1	1	1		
8	MANUAL LABEL	PVC FILM	4A1090-01	1	1	1		
9	TAG - WARNING: ELECTRICAL CONNECTION	PAPER	428430-01	1	1	1		
10	LABEL - R404A	PES FILM	4A0960-01	1	1	1		
11	CAUTION LABEL (F)	PVC FILM	439146-01	1	1	1		
12	CAUTION LABEL (K)	PVC FILM	439150-01	1	1	1		
13	LABEL - AIR FILTER	PETP FILM	426177-01	1	1	1		
14	INSTRUCTION LABEL	PVC FILM	444575-01	1	1	1		
15	RATING LABEL	PES FILM	4A1585-01	1	1	1		
16	LABEL – CONTROL BOARD	PVC FILM	3A1272-01	1	1	1		





HA

MODEL: KML-600MRF TITLE: E. LABEL LOCATION								
INDEX NO.	DESCRIPTION	MATERIAL OR MODEL NUMBER	PART NUMBER	REQUIRED NUMBER				
				J-0	K-0	L-0		
1	EMBLEM	PETP FILM	4A0560-01	1	1	1		
2	MODEL NUMBER LABEL	PETP FILM	4A1233-12	1	1	1		
3	LABEL - PENGUIN - HA (R)	PETP FILM	4A0526-01	1	1	1		
4	MAINTENANCE LABEL	PVC FILM	3A1696-01	1	1	1		
5	WIRING LABEL	PVC FILM	3A1073-01	1	1	1		
6	NAMEPLATE	PES FILM	4A1583-01	1	1	1		
7	INSTRUCTION SHEET	PAPER	2A1253-01	1	1	1		
8	MANUAL LABEL	PVC FILM	4A1090-01	1	1	1		
9	TAG - WARNING: ELECTRICAL CONNECTION	PAPER	428430-01	1	1	1		
10	LABEL - R404A	PES FILM	4A0960-01	1	1	1		
11	TAG-FAN MOTOR LEADS	PAPER	4A1494-01	1	1	1		
12	CAUTION LABEL (K)	PVC FILM	439150-01	1	1	1		
13	LABEL CHARGE	PVC FILM	4A1399-11					
14	INSTRUCTION LABEL	PVC FILM	444575-01	1	1	1		
15	RATING LABEL	PES	4A1586-01	1	1	1		
16	LABEL – CONTROLLER BOARD	PVC FILM	3A1272-01	1	1	1		
17	CAUTION-REMOTE LABEL	PVC FILM	4A1491-01	1	1	1		
18	CAUTION TAPE-404A (L=250)	PVC FILM	4A1535L01	1	1	1		

