

# Hoshizaki America, Inc.

## Commercial Refrigerators & Freezers

Model  
RF28A



“A Superior Degree  
of Reliability”

[www.hoshizaki.com](http://www.hoshizaki.com)

## PARTS LIST



Number: 71257  
Issued: 9-8-2006

# CONTENTS

Auxiliary Codes.....	3
Note About Ordering Parts .....	3
Material Abbreviations .....	4
A. Reach-In.....	5
B. Refrigeration Assembly .....	8
C. Air Duct Assembly .....	12
D. Control Box Assembly .....	13
E. Regulator Box Assembly .....	15
F. Front Panel Assembly .....	16
G. Door (R) Assembly.....	17
H. Drain Tank .....	18
J. Label Location.....	19
K. Condenser Fan Motor Assembly .....	20
L. Accessories/Packaging.....	21

## **Auxiliary Codes**

**RF28A**      R-5    June 2006

### **Note About Ordering Parts**

Most assemblies cannot be ordered as complete units; parts in the assemblies generally must be ordered separately.

## Material Abbreviations

### ALUMINUM

AL = Aluminum

### COPPER

CU = Copper

### PLASTIC

ABS = Acrylonitrile -butadiene - styrene  
AC = Polyacetal  
EVA = Ethylene vinyl acetate  
PA = Polyamide = Nylon  
PC = Polycarbonate  
PE = Polyethylene  
PES = Polyester  
PETP = Polyethylene terephthalate = Tetlon  
PP = Polypropylene  
PS = Polystyrene  
PTFE = Polytetrafluoroethylene = Teflon  
PUR = Polyurethane  
PVC = Polyvinyl chloride

### RUBBER



VN = Vinyl Nitrile  
EPDM = EP rubber  
NBR = Nitrile butadiene rubber  
NR = Natural rubber  
NP = Neoprene  
SI.R = Silicone rubber  
SY.R = Synthetic rubber  
EPH = Epichlorohydrin

### STEEL

GS = Galvanized steel  
SS = Stainless steel  
PS = Plated steel  
PAS = Primed steel

### AUXILIARY CODE

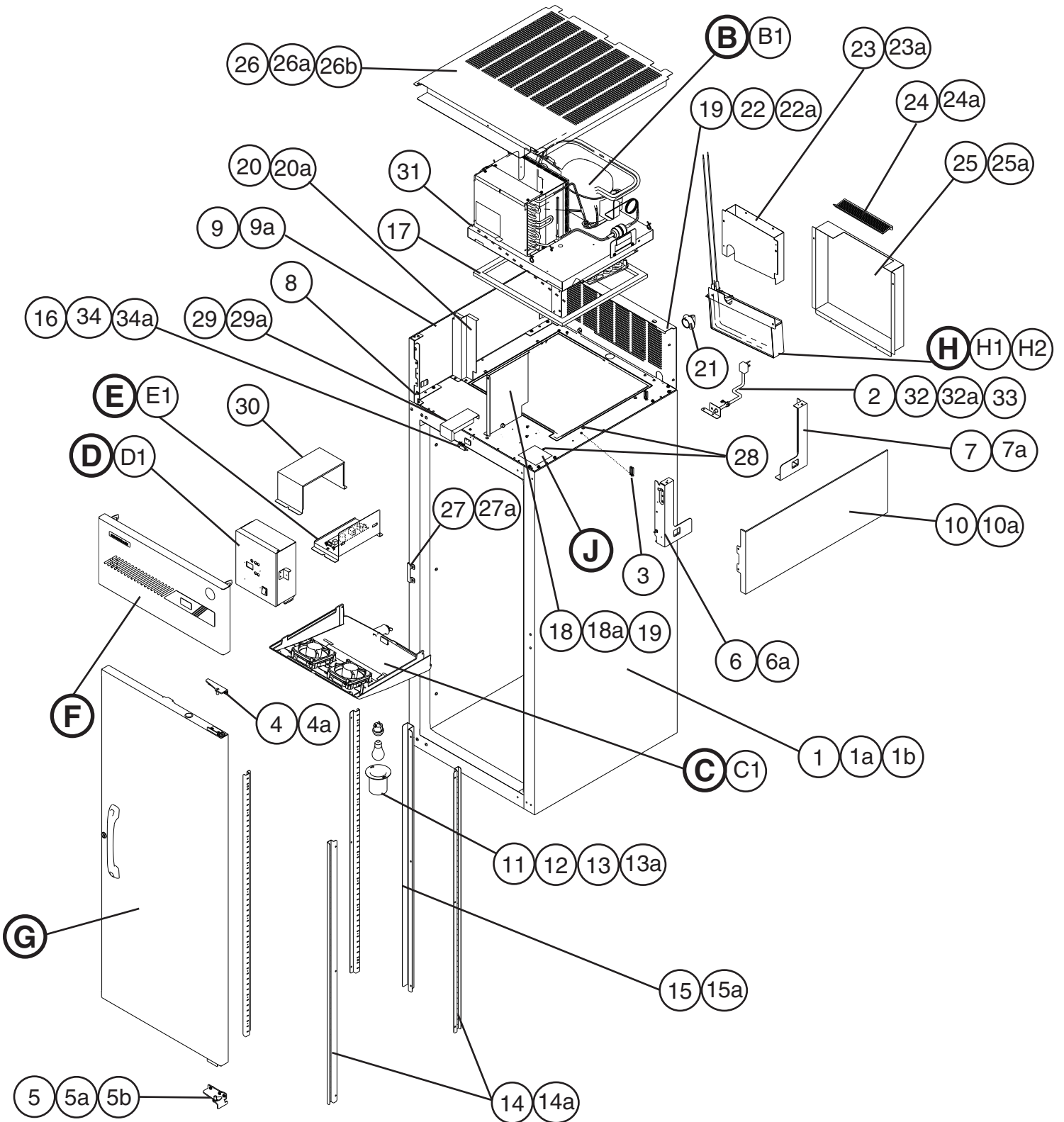
K-5

 Designates the year. "K" indicates the year 2000. Years progress or regress in alphabetical order. "J" is 1999, "L" is 2001, "M" is 2002, and so on. The letters "I" and "O" were skipped.  
 Designates significant part changes within the same year for this model. Base is 5 and this number advances for each change.

Example: P-6

 "P" indicates 2004.  
 "6" indicates the first significant part change for 2004.

**A. Reach-In  
RF28A  
R-5**



Title: <b>A. Reach-In</b> Model: <b>RF28A</b>												
Index No.	Description	Material or Model Number	Part Number	Required Number								
				R-5								
B	Refrigeration Assembly	-	1A0993A01	1								
B1	Truss Head Screw	5x10	<a href="#">7C31-0510</a>	4								
C	Air Duct Assembly	Evap. Fans	2A3287A01	1								
C1	Truss Head Screw	4x8 SS	<a href="#">7C32-0408</a>	2								
D	Control Box Assembly	-	2A3273A02	1								
D1	Truss Head Screw	4x8	<a href="#">7C31-0408</a>	2								
E	Regulator Box Assembly	-	3A3314A01	1								
E1	Truss Head Screw	5x10	<a href="#">7C31-0510</a>	2								
F	Front Panel Assembly	-	3A3317G01	1								
G	Door (R) Assembly	-	2A3278A01	1								
H	Drain Tank	-	2A3505A01	1								
H1	Truss Head Screw	5x10 SS	<a href="#">7C32-0510</a>	2								
H2	Tapping Screw	-	456789-01	2								
J	Label Location	-	1A0995A01	1								
1	Body	-	1A0989G01	1								
1a	Truss Head Screw	5x10 SS	<a href="#">7C32-0510</a>	6								
1b	Truss Head Screw	4x8 SS	<a href="#">7C32-0408</a>	2								
2	Power Supply Cord	-	<a href="#">4A0520-01</a>	1								
3	Wire Saddle	-	428060-01	2								
4	Door Hinge R, Upper	-	3A3531G01	1								
4a	Flange Bolt	5x12 SS	445994-03	3								
5	Door Hinge R, Lower	-	360214G01	1								
5a	Hinge Collar/Hinge	-	<a href="#">339948-01</a>	1								
5b	Flange Bolt	5x12 SS	445994-03	3								
6	Grip A	-	339961-01	2								
6a	Flange Bolt	5x12 SS	445994-03	6								
7	Grip B	-	339961-02	2								
7a	Flange Bolt	5x12 SS	445994-03	6								
8	Strike	No. 83	<a href="#">435995-01</a>	2								
9	Side Panel (L)	SS	2A3283G02	1								
9a	FT Screw	4x8 ZN	<a href="#">7F31-0408</a>	1								
10	Side Panel (R)	SS	2A3283G01	1								
10a	FT Screw	4x8 ZN	<a href="#">7F31-0408</a>	1								
11	Lampholder	-	<a href="#">4A2862-01</a>	1								
12	Bulb - Light	40A15/CL/ Proline	<a href="#">4A2420-01</a>	1								
13	Shield-Light	-	<a href="#">4A0465-01</a>	1								
13a	Cheese Head Screw	5x12 SS	<a href="#">7C52-0512</a>	2								
14	Pilaster	SS	<a href="#">3A0145-01</a>	4								
14a	Truss Head Screw	5x10 SS	<a href="#">7C32-0510</a>	12								
15	Back Guard	SS	3A3319-01	1								
15a	Truss Head Screw	5x10 SS	<a href="#">7C32-0510</a>	3								
16	Reed Switch	-	<a href="#">453861-02</a>	1								
17	Gasket-Base	-	239644-02	1								

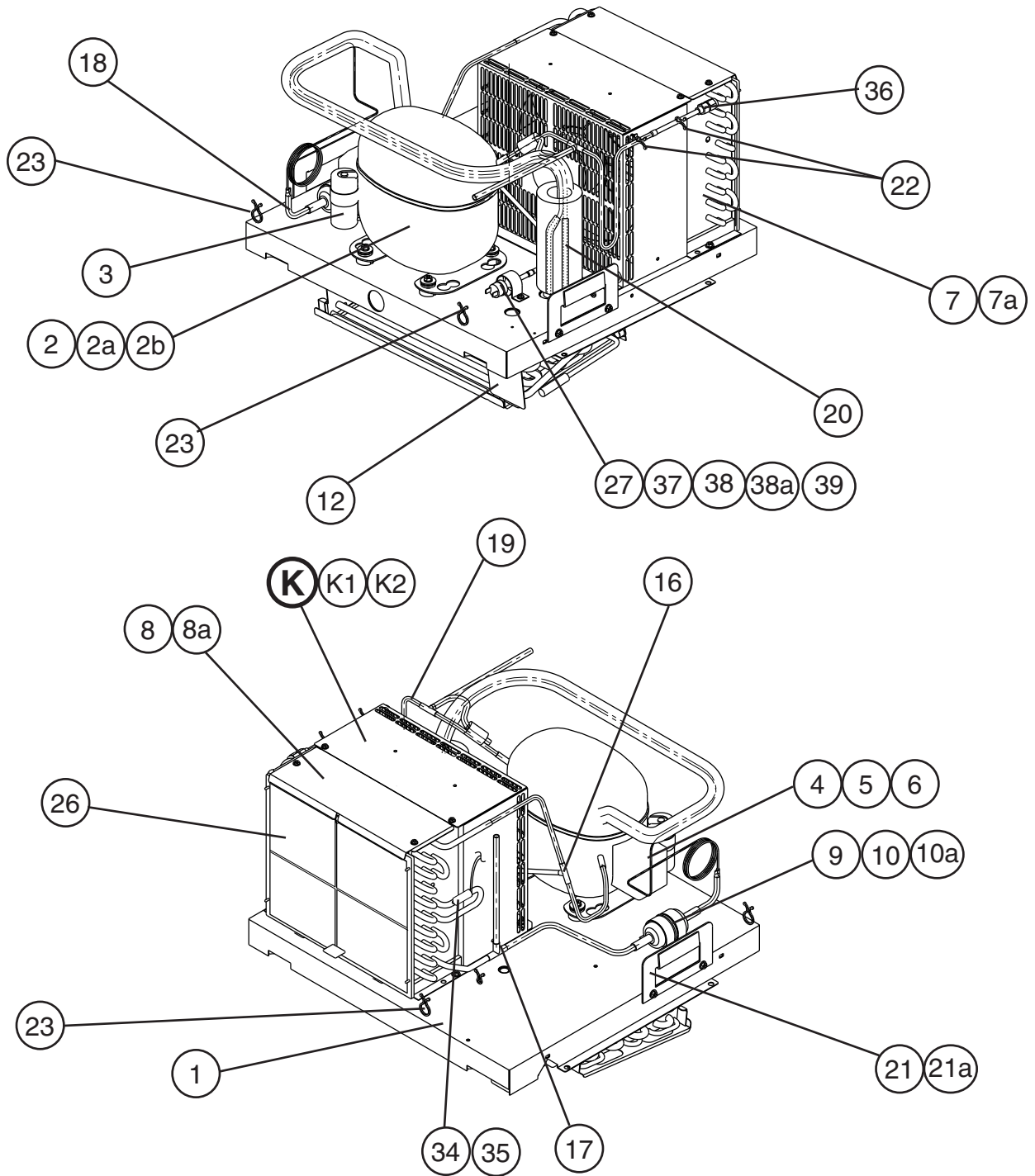
Title: <b>A. Reach-In</b> Model: <b>RF28A</b>												
Index No.	Description	Material or Model Number	Part Number	Required Number								
				R-5								
18	Cover Condenser Side	GS	2A3290-01	1								
18a	Truss Head Screw	4x8	<a href="#">7C31-0408</a>	2								
19	Bushing	OCB-625	428394-03	2								
20	Unit Cover L	GS	3A3486-01	1								
20a	Truss Head Screw	4x8	<a href="#">7C31-0408</a>	2								
21	Pipe-Drain Tank	-	3A3753-01	1								
22	Rear Cover	SS	2A3291-01	1								
22a	FT Screw	4x8	<a href="#">7F31-0408</a>	4								
23	Duct-Drain Tank	-	3A3543G01	1								
23a	Truss Head Screw	4x8 SS	<a href="#">7C32-0408</a>	2								
24	Duct-Drain Tank C	SS	3A3548-01	1								
24a	Truss Head Screw	4x8 SS	<a href="#">7C32-0408</a>	2								
25	Cover-Drain Tank	SS	3A3544-01	1								
25a	Truss Head Screw	4x8 SS	<a href="#">7C32-0408</a>	4								
26	Top Cover	GS	2A3292-01	1								
26a	FT Screw	4x8	<a href="#">7F31-0408</a>	2								
26b	Truss Head Screw	4x8	<a href="#">7C31-0408</a>	1								
27	Bracket Lock-Body	SS	4A3799-01	1								
27a	Truss Head Screw	4x8 SS	<a href="#">7C32-0408</a>	2								
28	Screw - Grounding	-	<a href="#">433304-02</a>	2								
29	Cover Switch - Body	-	3A3534-01	1								
29a	Truss Head Screw	4x8	<a href="#">7C31-0408</a>	2								
30	Regulator Box Cover	GS	3A3315-01	1								
31	Clamp	-	<a href="#">427902-05</a>	1								
32	Bracket-Cord	GS	4A3798-01	1								
32a	Truss Head Screw	4x8	<a href="#">7C31-0408</a>	2								
33	Bushing	CEE SR-6P30	<a href="#">450414-01</a>	1								
34	Spacer Switch Body	-	4A3797-01	1								
34a	Pan Head Screw	(w/lock & flat washers) 3x12 SS	7C1230312	2								

## B. Refrigeration Assembly

1/2

RF28A

R-5



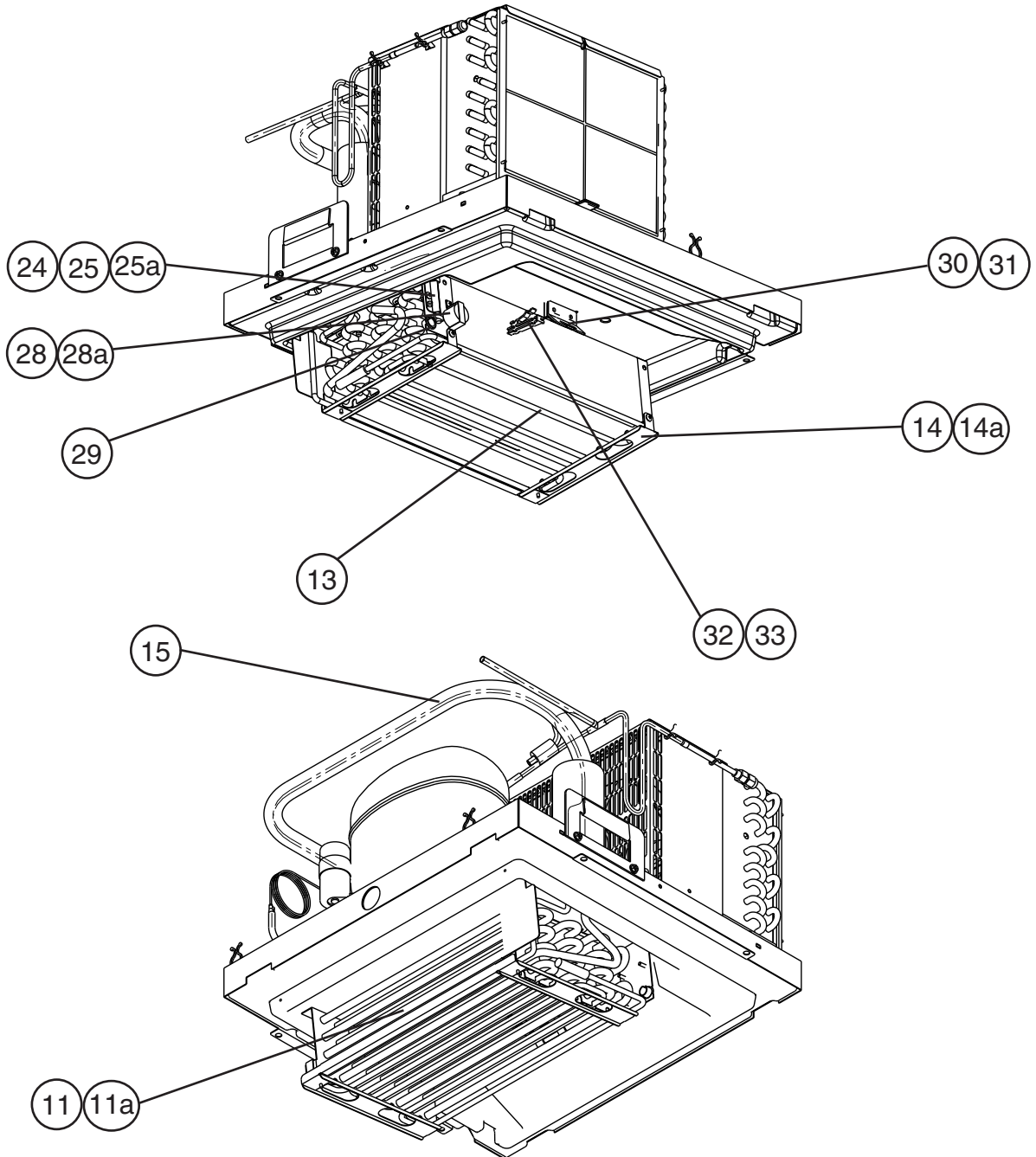


## B. Refrigeration Assembly

2/2

RF28A

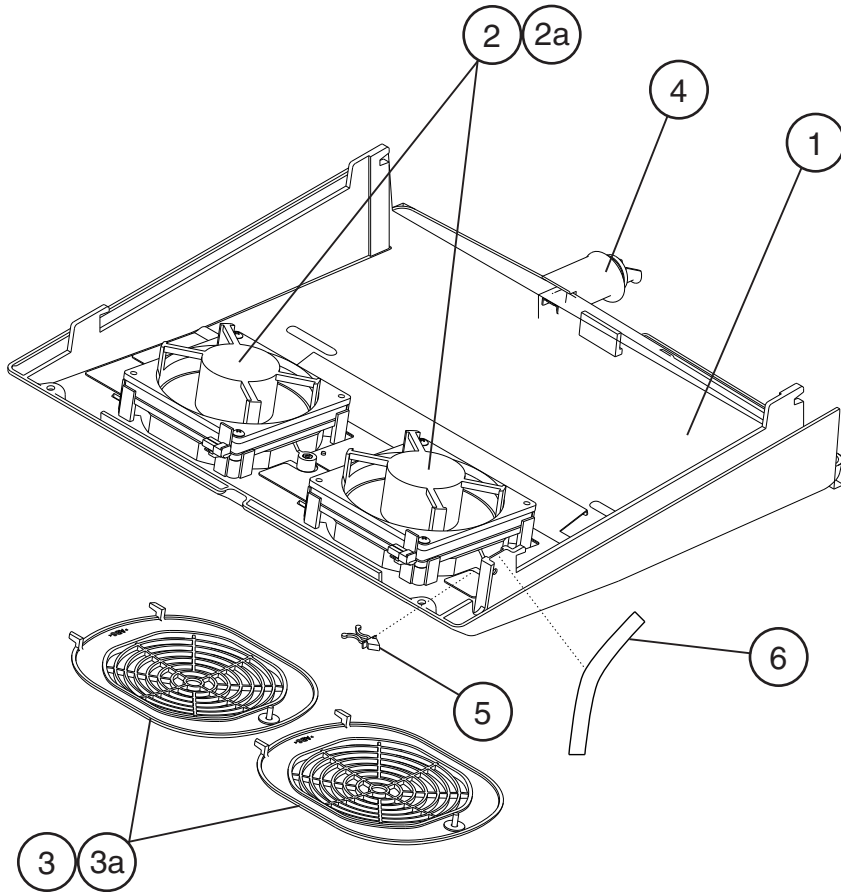
R-5



Title: <b>B. Refrigeration Assembly</b> Model: <b>RF28A</b>												
Index No.	Description	Material or Model Number	Part Number	Required Number								
				R-5								
K	Condenser Fan Motor Assy.	-	3A3320A01	1								
K1	Flange Bolt	5X12 SS	445994-03	2								
K2	Tapping Screw	-	456789-01	2								
1	Base	-	1A0994G01	1								
2	Compressor	SC12CLX.2	4A3808-01	1								
2a	Rubber Grommet	118-3661	4A1452-01	4								
2b	Bolt	-	468180-01	4								
3	Start Capacitor	117U5023	4A2134-03	1								
4	Start Relay	117U6020	4A3113-01	1								
5	Relief Assembly	103N1004	4A1454-01	1								
6	Cover - Electrical	103N2008	4A3112-01	1								
7	Condenser	-	242703-02	1								
7a	Flange Bolt	5x12 SS	445994-03	2								
8	Cover-Condenser	GS	3A3520-01	1								
8a	Tapping Screw	-	456789-01	2								
9	Drier	C-03E126	4A2666-01	1								
10	Drier Bracket	GS	4A0807-01	1								
10a	Tapping Screw	-	456789-01	2								
11	Evaporator	-	242706-01	1								
11a	T2 Screw	4x12 SS	7P32-0412	4								
12	Cover-Evaporator	SS	3A3522-01	1								
13	Defrost Heater	-	2A3286-01	1								
14	Support G-Heater	-	3A3521G01	1								
14a	T2 Screw	4x12 SS	7P32-0412	2								
15	Heat Exchanger	-	2A3494G01	1								
16	Copper Tube (A-H) (includes pressure switch, item 37)	-	3A3322G01	1								
17	Copper Tube (B-H)	-	4A3634G01	1								
18	Copper Tube (C-H)	-	4A3945-01	1								
19	Copper Tube (L) (includes access valve, item 36)	-	3A3323G01	1								
20	Insulation Tube	L=150 (1A0993-23)	7762-1020	3								
21	Handle	-	312719-01	2								
21a	Flange Bolt	5x12 SS	445994-03	4								
22	Clamp	No. 248	427902-04	4								
23	Clamp	No. 4253	427902-05	3								
24	Thermal Fuse	MM9-113	433262-02	1								
25	Fuse Holder	SS	4A3810-01	1								
25a	T2 Screw	4x12 SS	7P32-0412	1								
26	Air Filter	-	355229G01	1								
27	Cushion-Bushing	-	457429-01	1								
28	Thermostat - Defrost	37T21	4A0954-02	1								
28a	T2 Screw	4x12 SS	7P32-0412	1								

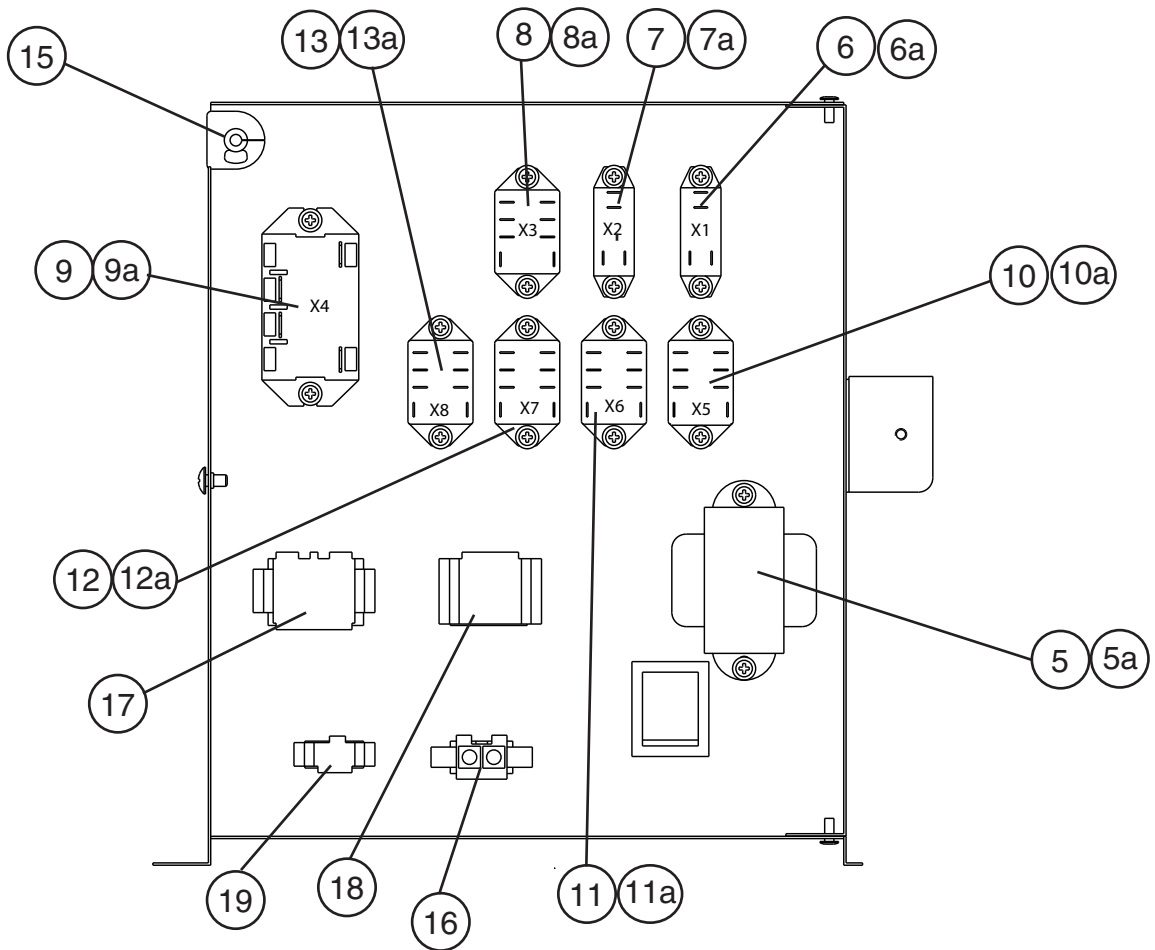
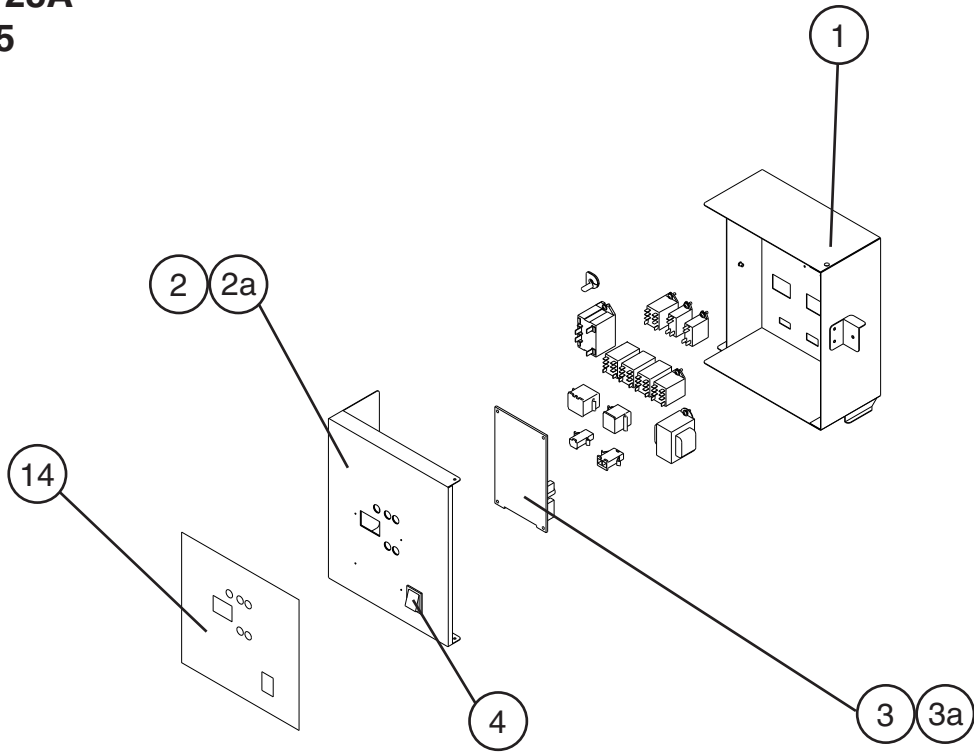
Title: <b>B. Refrigeration Assembly</b> Model: <b>RF28A</b>												
Index No.	Description	Material or Model Number	Part Number	Required Number								
				R-5								
29	Bushing	OCB-625	428394-03	1								
30	Thermistor-Interior	Konai	<a href="#">4R2691-01</a>	1								
31	Thermistor Bracket	Interior	456019-01	1								
32	Thermistor-Defrost	-	4R2690-01	1								
33	Thermistor Holder	Defrost	321606-01	1								
34	Thermistor Clogged Filter	-	<a href="#">4R2692-01</a>	1								
35	Thermistor Holder	Clogged Filter	458132-01	1								
36	Access Valve (included in item 19, Copper Tube (L))	-	<a href="#">457729-01</a>	1								
37	Pressure Switch: (included in item 16, Copper Tube (A-H))	ACB-1UB30	463180-03	1								
38	Bracket-Pressure Switch	-	457430-01	1								
38a	Tapping Screw	-	456789-01	1								
39	Insulation Tube	-	<a href="#">7762-2943</a>	1								

**C. Air Duct Assembly**  
**RF28A**  
**R-5**



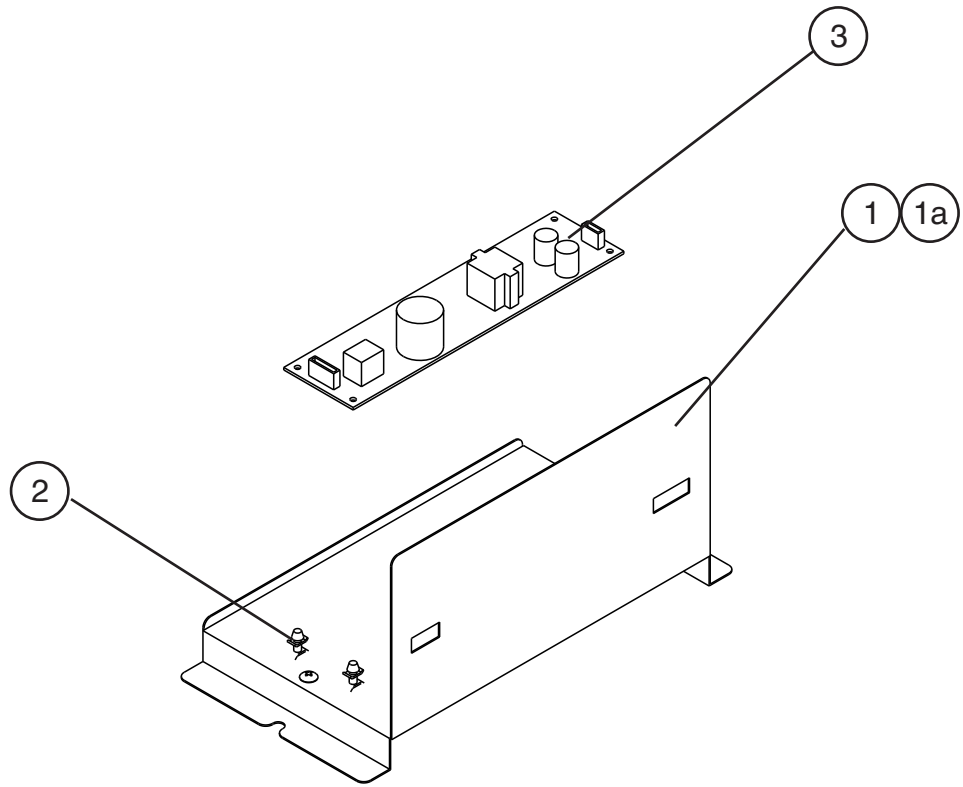
Title: C. Air Duct Assembly Model: RF28A													
Index No.	Description	Material or Model Number	Part Number	Required Number									
				R-5									
1	Air Duct F	Includes air duct heater	2A3477G01	1									
2	Fan Motor C	D1350X12 CXXZ-18	469067G01	2									
2a	Truss Head Screw	4x30 SS	<a href="#">7C32-0430</a>	4									
3	Fan Cover	-	242785-01	2									
3a	Truss Head Screw	4x12 SS	<a href="#">7C32-0412</a>	2									
4	Gasket-Drain Elbow X	-	469086-02	1									
5	Clamp	No. 248	427902-04	1									
6	Insulation Tubing	1/2x3/16 L=60 (2A3287-08)	7762-1323	1									

**D. Control Box Assembly**  
**RF28A**  
**R-5**



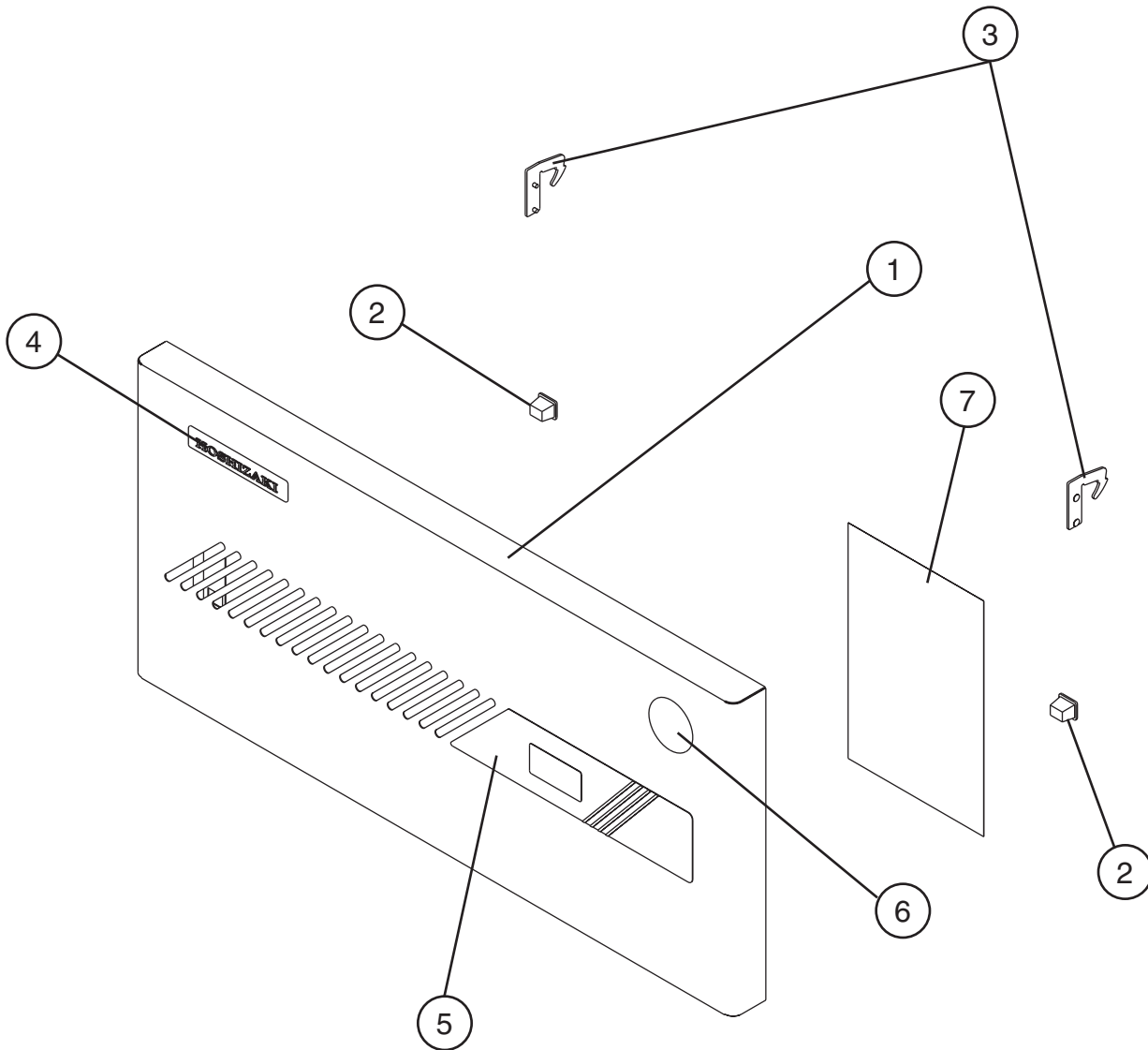
Title: <b>D. Control Box Assembly</b> Model: <b>RF28A</b>												
Index No.	Description	Material or Model Number	Part Number	Required Number								
				R-5								
1	Control Box G	GS	3A3751G01	1								
2	Cover-Control Box G	-	3A3749G01	1								
2a	T2 Screw	4x8 SS	<a href="#">7P32-0408</a>	1								
3	Control Board	-	3A2786-03	1								
3a	T2 Screw	4x8 SS	<a href="#">7P32-0408</a>	4								
4	Switch - Rocker	WB242D1123	4A3645-01	1								
5	Transformer	26D285H	<a href="#">3A0172-01</a>	1								
5a	Tapping Screw	3x8	<a href="#">431415-01</a>	2								
6	Relay X1, Compressor 1	G2R-IA-T DC12V	<a href="#">430173-05</a>	1								
6a	Tapping Screw	3x8	<a href="#">431415-01</a>	2								
7	Relay X2, Evaporator Fans	G2R-IA-T DC12V	<a href="#">430173-05</a>	1								
7a	Tapping Screw	3x8	<a href="#">431415-01</a>	2								
8	Relay X3, Defrost Heater	LY2F , DC 12V	406132-09	1								
8a	Tapping Screw	3x8	<a href="#">431415-01</a>	2								
9	Relay X4, Compressor 2	G7I-IA-TUB	449000-01	1								
9a	Tapping Screw	3x8	<a href="#">431415-01</a>	2								
10	Relay X5, Drain Tank Heater	LY2F- AC110/120	<a href="#">406132-07</a>	1								
10a	Tapping Screw	3x8	<a href="#">431415-01</a>	2								
11	Relay X6, Door/Lamp	LY2F- AC110/120	<a href="#">406132-07</a>	1								
11a	Tapping Screw	3x8	<a href="#">431415-01</a>	2								
12	Relay X7, Pressure Switch	LY2F- AC110/120	<a href="#">406132-07</a>	1								
12a	Tapping Screw	3x8	<a href="#">431415-01</a>	2								
13	Relay X8, Air Duct Heater	LY2F- AC110/120	<a href="#">406132-07</a>	1								
13a	Tapping Screw	3x8	<a href="#">431415-01</a>	2								
14	Operation Label	-	243398-01	1								
15	Bushing	-	451171-01	1								
16	2 Plug Housing	03-12-2025	4A0425-02	1								
17	12 Plug Housing	3191-12P	<a href="#">412832-04</a>	1								
18	9 Plug Housing	3191-09P	<a href="#">412832-02</a>	1								
19	2 Plug Housing	3191-02P	<a href="#">412832-07</a>	1								

**E. Regulator Box Assembly**  
**RF28A**  
**R-5**



Title: E. Regulator Box Assembly Model: RF28A					Required Number												
Index No.	Description	Material or Model Number	Part Number	R-5													
1	Regulator Box Base	GS	2A3277-01	1													
1a	Truss Head Screw	4x8 ZN	<a href="#">7C31-0408</a>	1													
2	Board Support	2451	449969-01	4													
3	Switching Regulator	LCA50S-12-XHSZ	458914-01	1													

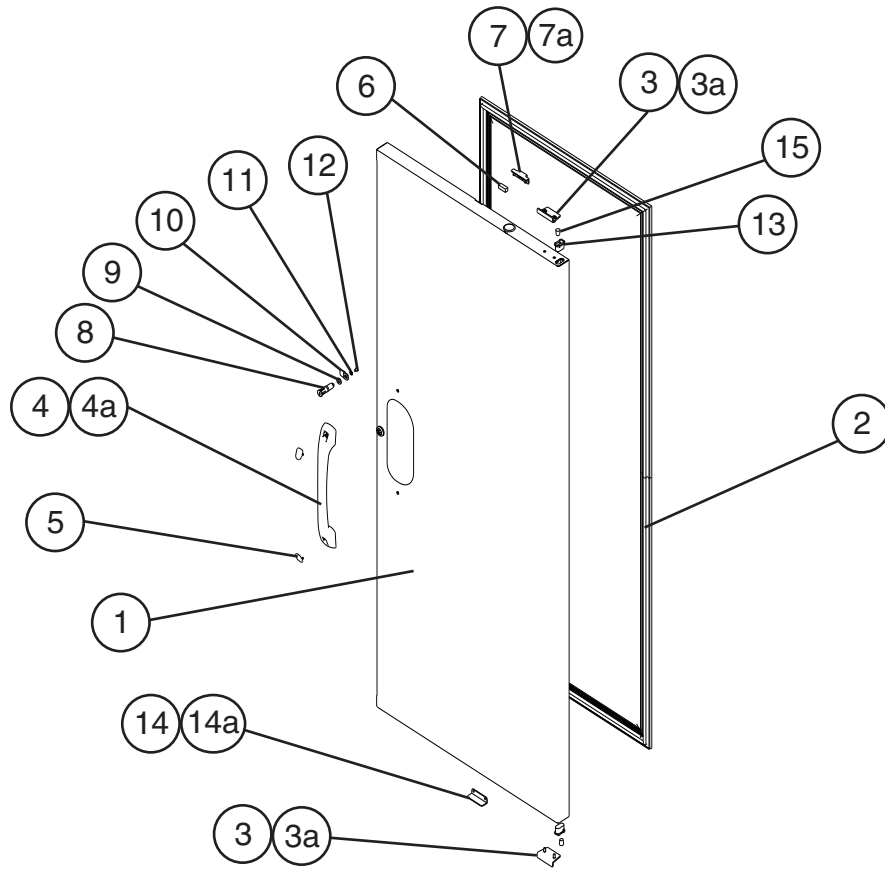
**F. Front Panel Assembly**  
**RF28A**  
**R-5**



Title: <b>F. Front Panel Assembly</b> Model: <b>RF28A</b>												
Index No.	Description	Material or Model Number	Part Number	Required Number								
				R-5								
1	Front Panel	SS	2A3282-01	1								
2	Catch	-	<a href="#">435994-01</a>	2								
3	Hook/Front Panel	-	448859-01	2								
4	Emblem	-	<a href="#">4A0560-01</a>	1								
5	Label - Display F	-	2A3905-02	1								
6	Label-Penguin (L)	-	<a href="#">456246-02</a>	1								
7	Wiring Label	-	2A3276-01	1								

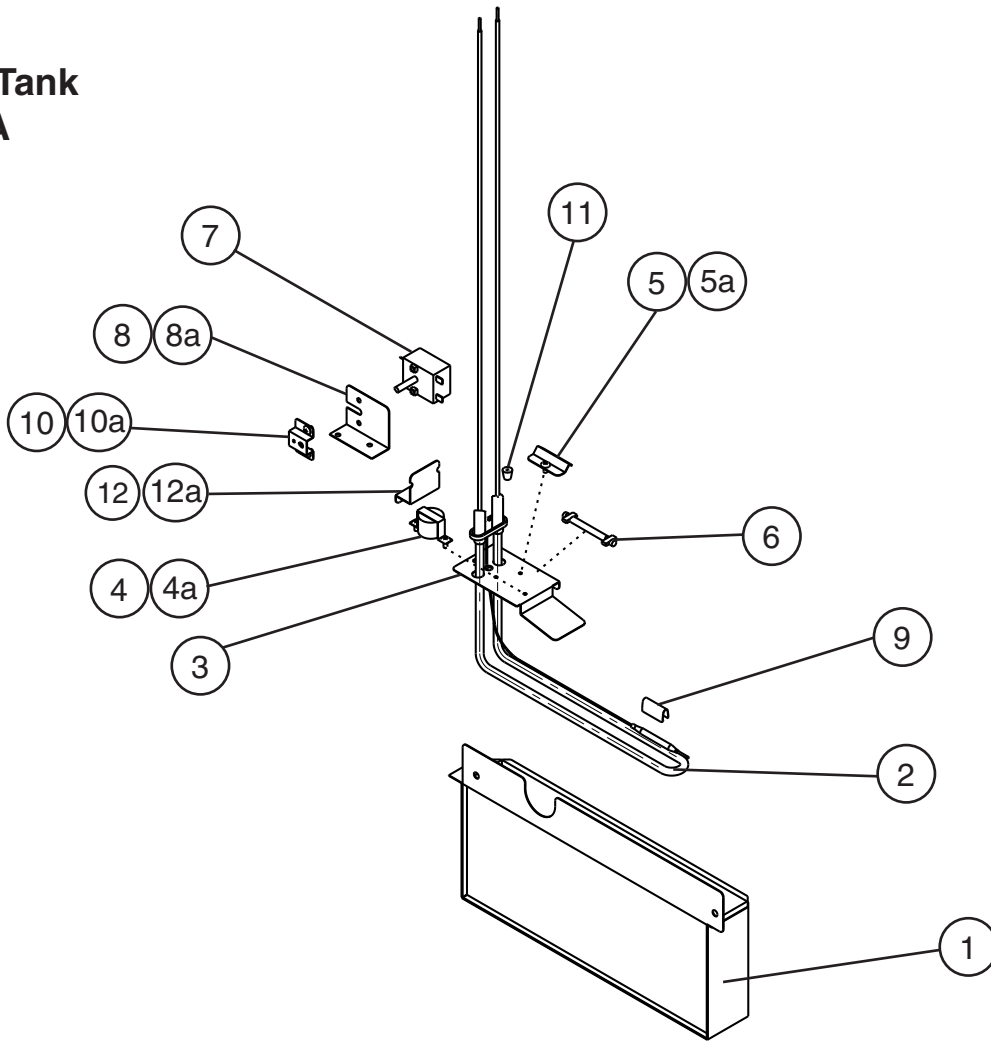


**G. Door (R) Assembly**  
**RF28A**  
**R-5**



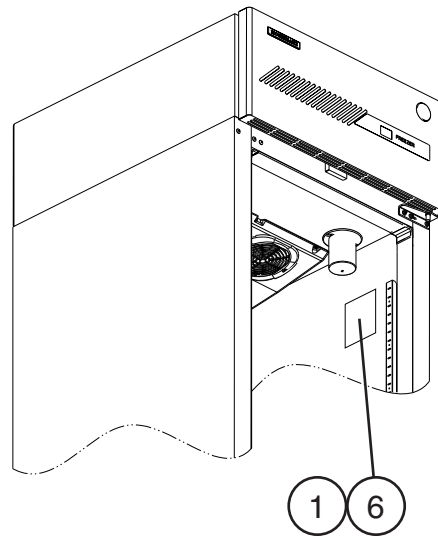
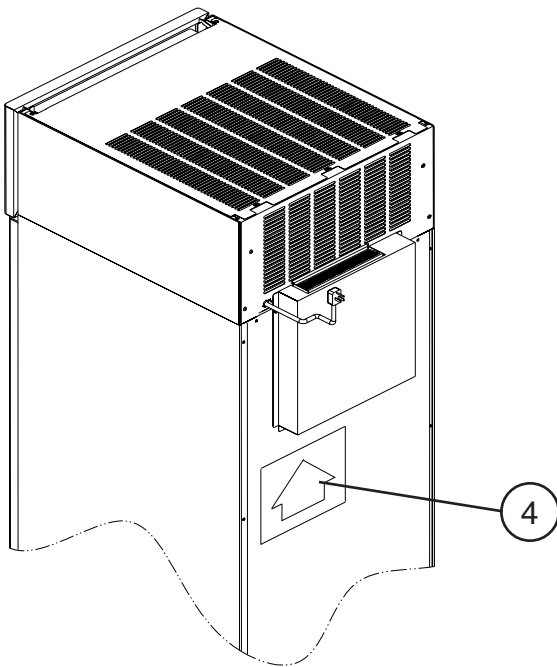
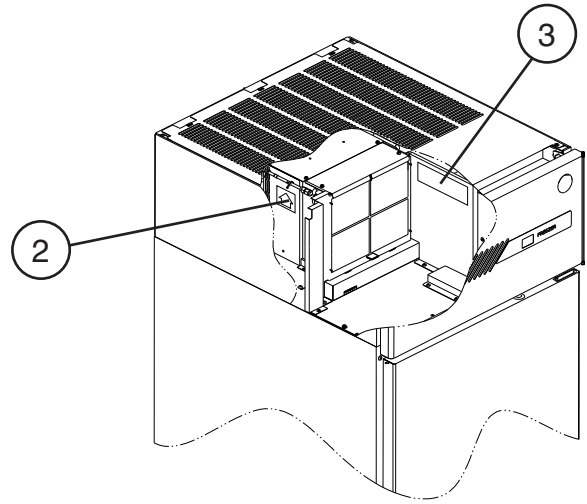
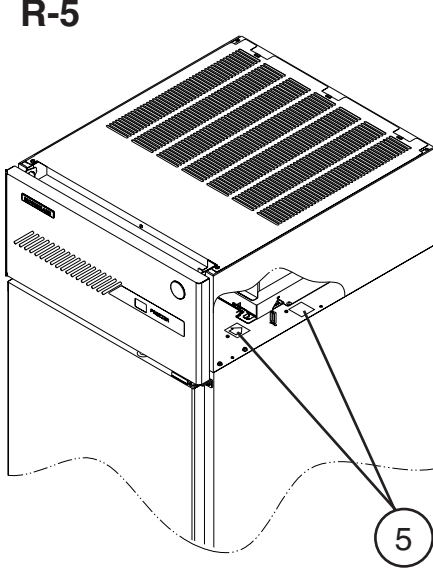
Title: <b>G. Door (R) Assembly</b> Model: <b>RF28A</b>											
Index No.	Description	Material or Model Number	Part Number	Required Number							
				R-5							
1	Door	-	2A3279G01	1							
2	Gasket-Door	-	2A3437-01	1							
3	Door Stopper	-	360222-01	2							
3a	Countersunk Screw	5x12 SS	<a href="#">4A2894-02</a>	4							
4	Handle	-	<a href="#">115365-01</a>	1							
4a	Screw/Bolt	5x16 SS	<a href="#">449879-08</a>	2							
5	Cap/Handle	-	<a href="#">360643-01</a>	2							
6	Magnet	-	<a href="#">440805-01</a>	1							
7	Switch Cover	-	3A3508-01	1							
7a	Truss Head Screw	4x12 SS	<a href="#">7C32-0412</a>	2							
8	Lock Tumbler	(With Key)	<a href="#">4A0462-01</a>	1							
9	Lock-Stop Washer	-	<a href="#">4A0458-01</a>	1							
10	Lock-Plate	-	4A3782-01	1							
11	Lock-Washer	-	<a href="#">4A0459-01</a>	1							
12	Lock-Screw (Refrig)	-	<a href="#">4A0461-01</a>	1							
13	Hinge Collar/Door	-	<a href="#">339947-01</a>	2							
14	Cover-Bracket	-	4A3817-01	1							
14a	Truss Head Screw	4x12 SS	<a href="#">7C32-0412</a>	2							
15	Cap	-	455295-01	2							

**H. Drain Tank  
RF28A  
R-5**



Title: H. Drain Tank		Model: RF28A		Required Number										
Index No.	Description	Material or Model Number	Part Number	R-5										
1	Drain Tank A	-	3A3549G01	1										
2	Sheathed Heater	-	3A3327-01	1										
3	Flange-Drain Tank	SS	3A3547-01	1										
4	Thermostat	37TJ21	4A3941-01	1										
4a	Truss Head Screw	4x8 SS	7C32-0408	2										
5	Fuse Holder	SS	4A3810-01	1										
5a	Truss Head Screw	4x8 SS	7C32-0408	1										
6	Thermal Fuse	MM9-113	433262-02	1										
7	Thermostat	-	426395-01	1										
8	Thermostat Bracket	GS	4A3811-01	1										
8a	See H2 in A. Reach-In for screws securing thermostat bracket to body frame	-	-	-										
9	Heater Holder	-	4A3813-01	1										
10	Set-Thermostat	-	467369-01	1										
10a	Truss Head Screw	4x6	7C31-0406	2										
11	Bushing	-	407818-01	1										
12	Bracket-Drain Tank Heater	SS	4A3809-01	1										
12a	Truss Head Screw	4x8 SS	7C32-0408	1										

**J. Label Location**  
**RF28A**  
**R-5**

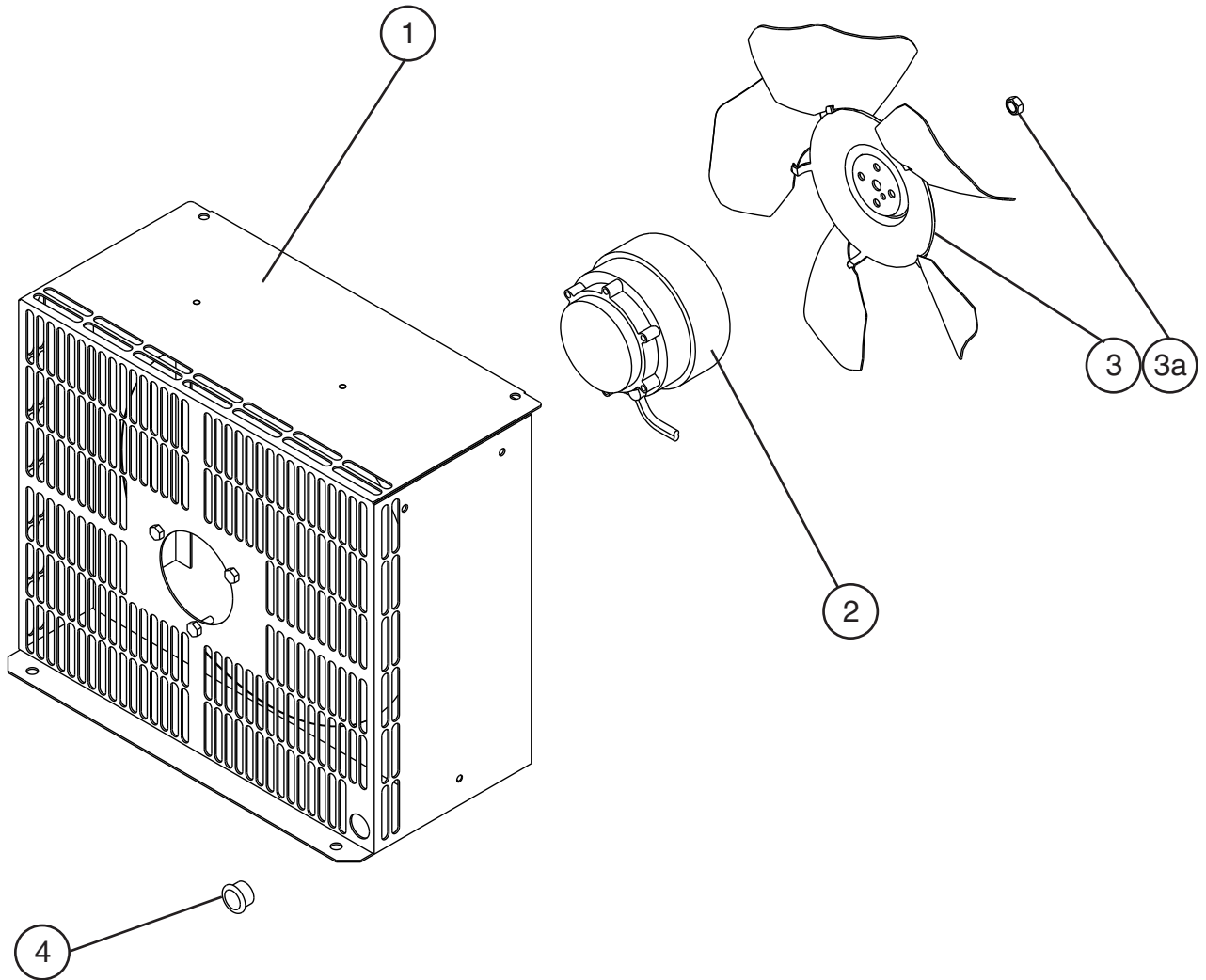


Title: <b>J. Label Location</b> Model: <b>RF28A</b>												
Index No.	Description	Material or Model Number	Part Number	Required Number								
				R-5								
1	Nameplate	-	3A3324-01	1								
2	Label - R404A	-	4A0960-01	1								
3	Label - Air Filter	-	426177-01	1								
4	Caution Label	-	4A1931-01	1								
5	Label-Ground (B)	-	450452-02	2								
6	Cover-Nameplate	-	4A3727-01	1								

# K. Condenser Fan Motor Assembly

## RF28A

### R-5



Title: K. Condenser Fan Motor Assembly Model: RF28A													
Index No.	Description	Material or Model Number	Part Number	Required Number									
				R-5									
1	Bracket (G) - Fan Motor	-	3A3321G01	1									
2	Motor-Cond Fan	includes 3 mounting bolts	4A0408-01	1									
3	Fan Blade	-	3A0608-01	1									
3a	Hex Nut	#S-25467	4A1345-01	1									
4	Bushing	SB-625-8	420470-01	1									

## L. Accessories/Packaging RF28A

Title: L. Accessories/Packaging Model: RF28A												
Index No.	Description	Material or Model Number	Part Number	Q-0	Required Number							
1	Instruction Manual	-	91A3KA10A	1								
2	Shelf	(3 pack)	HS-3508	1								
3	Caster Kit	1 or 2 section	<a href="#">HS-3546</a>	1								
4	Caster Shim	-	<a href="#">HS-3590</a>	1								
5	Stop - Door	-	<a href="#">4A1873-01</a>	1								
6	Protector Handle	-	3A2597-01	1								
7	Hex Head Bolt	5/8-11 UNC	<a href="#">7B0115825</a>	4								
8	Flat Washer	5/8 USS	<a href="#">7W2115800</a>	4								
9	Cable Tie	CV-200	<a href="#">8911-0200</a>	1								
10	Label-Top Heavy	-	3A3958-01	4								
11	Pallet	-	3A3339-01	1								
12	Corner Post	-	3A3606-04	1								
13	Corner Post-Handle	-	3A3605-02	1								
14	Corner Post-Rear	-	3A4167-01	2								
15	Filler Pad	-	2A3563-04	3								
16	Top-28A	-	2A3564-08	1								