

3.0 C-SERIES CUBERS C20-C30-C40-C50 "B" SERIES AIR, WATER AND REMOTE

Item Code	Part Description	Part Number	GRP	C	C	C	C
				20	30	40	50
AIR COOLED							
5	Air Condenser	9141048-01	AC	X			
5	Air Condenser R12	NLA	AC			X	
5	Air Condenser R502 "B1"	NLA	AC			X	
5	Air Condenser (After 4/13/93)	NLA	AC		X		
5	Air Condenser (Before 4/12/93)	NLA	AC		X		
5	Air Condenser (After 5/91)	NLA	AC				X
5	Air Condenser (Before 5/91)	NLA	AC				X
10	Fan Blade 10" 24 Degree	9131053-02	AC	X			
10	Fan Blade 10" 30 Degree	9131053-01	AC			X	
10	Fan Blade 10" 36 Degree (R502 Units)	9131053-03	AC		X	X	X
11	Fan Control (R12)	9041003-01	AC			X	
11	Fan Control (R502)	9041003-02	AC			X	
15	Fan Motor	9161045-04	AC		X	X	
15	Fan Motor	9161078-01	AC				X
15	Fan Motor	9161077-01	AC	X			
20	Fan Motor Bracket	9131054-01	AC	X	X	X	X
25	Fan Shroud	9131122-01	AC	X	X	X	X
30	Fan Shroud - Push Rivet	9031009-01	AC	X	X	X	X
COMPRESSOR AND COMPONENTS (*Kit Includes Drier and Start Components)							
100	*Compressor Kit-DANFOSS AFTER 6-85	9181061-11	C	X			
100	*Compressor Kit-COPELAND	9181054-13	C				X
100	*Compressor Kit-COPELAND R12	9181001-11	C			X	
100	*Compressor Kit-COPELAND R502	9181063-11	C		X	X	
101	Overload	9181005-02	C				X
101	Overload COPELAND	9181005-12	C	X	X	X	
101	Overload R12	9181005-01	C			X	
105	Run Capacitor	9181009-11	C				X
110	Start Capacitor	9181003-14	C		X		
110	Start Capacitor	9181003-20	C				X
110	Start Capacitor COPELAND	9181003-09	C	X			
110	Start Capacitor DANFOSS	9181003-24	C	X			
110	Start Capacitor R12	9181003-01	C			X	
110	Start Capacitor R502	9181003-14	C			X	
115	Start Relay	9181004-03	C		X		
115	Start Relay	9181010-02	C				X
115	Start Relay COPELAND	9181004-05	C	X			
115	Start Relay DANFOSS	9181004-08	C	X			
115	Start Relay R12	9181004-01	C			X	
115	Start Relay R502	9181004-03	C			X	
ELECTRICAL							
	Thermostatic Timer Initiate (USE LP CONTROL)	NLA	E	X		X	
205	Bin Control Thermostat (Stacked) 3 Pole	9041055-01	E	X	X	X	X
205	Bin Control Thermostat 2 Pole (96")	9041004-03	E	X	X	X	X
210	Contactors - 1 Pole 115 Volt	9101002-03	E	X	X	X	X
215	Terminal Board - 3 Pole	9101037-01	E	X	X	X	X
220	High Temp Safety Thermostat	9041087-03	E	X	X	X	X
225	Relay 115 Volt	9101084-01	E	X	X	X	X
230	Relay Socket	9101083-01	E	X	X	X	X
235	Switch Assy - Bin Control (Bracket and Switch)	2061471-03	E	X	X	X	X
240	Switch - Bin Control (Curtain) 11 Amp	9101124-02	E	X	X	X	X
245	Switch - On/Off/Wash (Toggle)	9101086-01	E	X	X	X	X
245	Switch - On/Off/Wash (Rocker)	9101195-01	E	X	X	X	X

3.0 C-SERIES CUBERS C20-C30-C40-C50 "B" SERIES AIR, WATER AND REMOTE

Item Code	Part Description	Part Number	GRP	C 20	C 30	C 40	C 50
ELECTRICAL (Continued)							
250	Switch - Purge (Plastic Push Button)	9101125-01	E	X	X	X	X
250	Switch - Purge (Rocker)	9101139-03	E	X	X	X	X
250	Switch - Purge (Metal)	9101056-02	E	X	X	X	X
255	Timing Module	9101148-01	E	X	X	X	X
260	Water Pump Cordset	9181218-05	E	X	X	X	X
EVAPORATOR							
300	Evaporator Plastic Bottom - Water Return	9051135-04	EV	X	X	X	X
305	Evaporator Plastic Side Panel LH	9051136-07	EV	X	X		
305	Evaporator Plastic Side Panel LH	9051136-05	EV			X	X
310	Evaporator Plastic Side Panel RH	9051136-08	EV	X	X		
310	Evaporator Plastic Side Panel RH	9051136-06	EV			X	X
315	Evaporator Plastic Top - Spillway	9051135-05	EV	X	X	X	X
320	Evaporator Plate Assy - Jumbo	NLA	EV	X	X		
320	Evaporator Plate Assy - Half Cube	2051148-82	EV			X	X
320	Evaporator Plate Assy - Half Cube	2051156-82	EV	X	X		
320	Evaporator Plate Assy - Full Cube	2051156-81	EV	X	X		
320	Evaporator Plate Assy - Jumbo	NLA	EV			X	X
320	Evaporator Plate Assy - Full Cube	2051148-81	EV			X	X
HARVEST MOTOR ASSEMBLY							
900	Bushing - Large	9051001-13	HA	X	X	X	X
900	Bushing - Small	9051001-04	HA	X	X	X	X
905	Clutch (Cam) 160 Degree	9131190-01	HA	X	X	X	X
910	Connecting Rod	9051057-01	HA	X	X	X	X
915	Drip Shield	3012280-01	HA	X	X	X	X
925	Hex Nut (Swivel/Plastic Tip Shaft)	9031005-09	HA	X		X	X
925	Hex Nut 10 x 32 (Swivel/Shaft)	9031005-03	HA	X	X	X	X
955	Hex Nut 4 x 40 (Switch)	9031005-06	HA	X	X	X	X
930	Probe Motor 115 Volt	9161030-01	HA	X	X	X	X
935	Probe Shaft-4.5 x .219 Stainless Steel	9131189-01	HA	X	X	X	X
935	Probe Shaft - 4.5 x .125 (Plastic Tip)	9021053-02	HA	X		X	X
955	Nut Plate (SECURES SWITCH TO BRKT)	9031120-01	HA	X	X	X	X
940	Screw Shoulder - Rod/Clutch	9031119-01	HA	X	X	X	X
945	Screw #4 - 40 x 3/4 (Switch)	9031008-16	HA	X	X	X	X
950	Screw #6 - 32 x 1/2 (Motor)	9031019-08	HA	X	X	X	X
960	Switch Insulator (Micro)	3051145-01	HA	X	X	X	X
965	Switch - Cam (Large) BEFORE 10/89	9101023-01	HA	X		X	X
965	Switch - Cam (Small) AFTER 10/89	9101160-01	HA	X	X	X	X
970	Swivel for 9021053-02 (Plastic Tip Shaft)	9021017-01	HA	X		X	X
970	Swivel for 9131189-01 (.219 SS Shaft)	9021017-02	HA	X	X	X	X
975	Washer - Flat #10, Stainless	9031003-03	HA	X	X	X	X
MISCELLANEOUS							
420	Ice Deflector Kit (W/O Thermo-well)	1051026-01	M	X	X	X	X
425	Ice Deflector Kit (With Thermo-well)	1051026-03	M	X	X	X	X
430	Ice Deflector - Inner	3011772-01	M	X	X	X	X
405	Hose Clamp #14	9021010-03	M	X	X	X	X
410	Hose Clamp #18	9021010-04	M	X	X	X	X
435	Screw Retainer (Rubber Washer Under Screw)	9031004-19	M	X	X	X	X
445	Screw - Water Tube Assy	9031122-01	M	X	X	X	X
440	Screw - Water Trough	9031122-02	M	X	X	X	X
	Water Trough Guard	3012493-01	M			X	X
	Water Trough Support	3012545-01	M	X	X	X	X

3.0 C-SERIES CUBERS C20-C30-C40-C50 "B" SERIES AIR, WATER AND REMOTE

Item Code	Part Description	Part Number	GRP	C	C	C	C
				20	30	40	50
PANELS							
	Paint Grey Touch-up (Spray Can)	NLA	P	X	X	X	X
	Paint Beige Touch-up (Spray Can)	NLA	P	X	X	X	X
502	Control Box Cover, Grey Only	NLA	P	X	X	X	X
502	Control Box Cover, Grey Only	NLA	P	X	X	X	X
506	Front Panel, Grey (Roto-Mold)	2031374-01	P	X	X	X	X
506	Front Panel, Stainless	2031335-02	P	X	X	X	X
510	J-Clip	9021060-01	P	X	X	X	X
516	Rear Panel	3021549-01	P		X	X	X
516	Rear Panel	3021377-01	P	X			
518	Screw #8 - 18 x 1-1/2, Stainless	9031046-18	P	X	X	X	X
524	Screw #8 - 18 x 3/8, (Grey Panels)	NLA	P	X	X	X	X
524	Screw #8 - 18 x 3/8, Stainless	9031046-21	P	X	X	X	X
528	Side Panel w/o Louvers LH, Stainless	3021378-04	P	X	X	X	X
528	Side Panel w/o Louvers, Grey	NLA	P	X	X	X	X
530	Side Panel w/ Louvers RH, Stainless	3021378-02	P	X	X	X	X
530	Side Panel w/ Louvers, Grey	NLA	P	X	X	X	X
538	Top Panel, Grey	NLA	P	X	X	X	X
538	Top Panel, Stainless	3021433-01	P	X	X	X	X
REFRIGERATION							
600	Expansion Valve, Flared R502 (1/2 Ton)	9151006-01	REF			X	X
600	Expansion Valve R12	9151020-01	REF	X		X	
600	Expansion Valve - Sweat R 502 (1/4 Ton)	9151006-07	REF		X		
600	Expansion Valve, Flared R502 (1/4 Ton)	NLA	REF		X		
600	Expansion Valve - Sweat R 502 (1/2 Ton)	9151006-06	REF			X	X
615	Filter Drier CG08E02	9151004-02	REF	X	X	X	X
620	High Pressure Control (400 Psi)	9041051-02	REF		X	X	X
620	High Pressure Control (250 Psi)	9041051-01	REF	X		X	
625	Hot Gas Valve Body - ALCO 115V	9151123-01	REF	X	X	X	X
630	Hot Gas Valve Coil - ALCO 115V	9151123-03	REF	X	X	X	X
630	Hot Gas Valve Coil - PARKER 115V	9151091-01	REF	X	X	X	X
635	Low Pressure Timer Initiate (13 PSI)	9041094-01	REF	X	X	X	X
REMOTE							
710	Filter Drier - Remote	9151004-04	REM			X	X
715	Liquid Line Solenoid Body - ALCO	9151123-02	REM			X	X
720	Liquid Line Solenoid Coil-ALCO 115V	9151123-03	REM			X	X
725	Mixing Valve R12 (125 PSI)	9151027-04	REM			X	
725	Mixing Valve R502 (240 PSI)	9151027-06	REM			X	X
730	Pump Down Control	9041040-01	REM			X	X
735	Receiver - Flare	9151026-01	REM			X	
735	Fusible Plug	9151026-90	REM			X	
735	Receiver - Sweat	9151074-01	REM			X	X
REMOTE CONDENSER							
740	COUPLING HALF BULKHEAD 1/2	9091001-12	RC			X	X
745	COUPLING HALF BULKHEAD 3/8	9091001-11	RC			X	X
750	COUPLING HALF LINESET 1/2	9091001-08	RC			X	X
755	COUPLING HALF LINESET 1/2 (WITH PORT)	9091001-10	RC			X	X
760	COUPLING HALF LINESET 3/8	9091001-02	RC			X	X
765	COUPLING HALF LINESET 3/8 (WITH PORT)	9091001-04	RC			X	X
766	COUPLING HALF MOUNTING FLANGE 1/2	9091001-09	RC			X	X
767	COUPLING HALF MOUNTING FLANGE 3/8	9091001-03	RC			X	X
770	FAN BLADE (LARKIN ONLY)	1011179-98	RC			X	X
775	FAN MOTOR 115V (LARKIN ONLY)	1011180-99	RC			X	X
780	FAN SHROUD (LARKIN ONLY)	1011179-97	RC			X	X

3.0 C-SERIES CUBERS C20-C30-C40-C50 "B" SERIES AIR, WATER AND REMOTE

Item Code	Part Description	Part Number	GRP	C 20	C 30	C 40	C 50
REMOTE CONDENSER (Continued)							
781	UPGRADE KIT (MOTOR, BRKT & FAN BLADE)	NLA	RC			X	X
782	FAN SUPPORT (INCLUDED IN KIT)	3012205-01	RC			X	X
783	FAN BLADE (INCLUDED IN KIT)	9131214-02	RC			X	X
784	FAN MOTOR (INCLUDED IN KIT)	9161087-01	RC			X	X
WATER COOLED							
790	Water Condenser	9141022-01	WC	X			
790	Water Condenser	9141061-01	WC		X		
790	Water Condenser - 3 Rows	9141023-01	WC			X	
790	Water Condenser - 4 Rows	9141024-01	WC				X
795	Water Regulator Valve (With Bracket)	9041059-01	WC	X	X	X	X
795	Water Regulator Valve (With-Out Bracket)	9041010-01	WC	X	X	X	X
WATER DISTRIBUTION							
800	Water Distribution Tube RH	2041338-01	WD	X	X	X	X
805	Water Inlet Fitting	9091083-01	WD	X	X	X	X
807	Water Inlet Fitting Adapter	9091074-01	WD	X	X	X	X
810	Water Inlet Polyethylene Tubing (28" required)	6021032-01	WD	X	X	X	X
815	Water Pump Tube	9051142-01	WD			X	X
815	Water Pump Tube	9051142-02	WD	X	X		
820	Water Splash Curtain, Rigid (After 10/86)	9051154-07	WD	X	X		
820	Water Splash Curtain, Rigid (After 10/86)	9051154-08	WD			X	X
820	Water Splash Curtain Smooth (Before 10/86)	NLA	WD			X	X
820	Water Splash Curtain Smooth (Before 10/86)	NLA	WD	X			
825	Water Trough Kit (Trough and Support)	1051073-01	WD	X	X	X	X
825	Water Trough, Rigid (After 10/86)	9051153-06	WD	X	X	X	X
825	Water Trough, Smooth (Before 10/86)	NLA	WD	X		X	
WATER FLOAT							
844	Water Float Gasket for 9131180-01	9051204-01	WF	X		X	X
845	Water Float Assy (Top Mount)	9131111-01	WF	X	X	X	X
847	Water Float Assy (Side Wall Mount)	9131180-01	WF	X		X	X
850	Water Float Deflector for 9131111-01	3051162-01	WF	X	X	X	X
855	Water Inlet Barrel Fitting	9091080-01	WF	X	X	X	X
860	Water Inlet Fitting Sleeve	9091081-01	WF	X	X	X	X
WATER PUMP							
865	Water Pump Bracket, Stainless Steel (LATE)	3012354-01	WP	X	X	X	X
875	Water Pump 1550 RPM 115V	9161076-01	WP	X	X	X	X
	Thumbscrew for Water Pump (2 Req)	9161076-101	WP	X	X	X	X
WATER PURGE VALVE							
880	Water Purge Valve Assy 115V	9041053-01	WPV	X		X	X
880	Water Purge Valve Assy 115V	9041060-01	WPV		X	X	X
890	Water Purge Valve Coil 115V	9041014-90	WPV	X	X	X	X

REFRIGERANT CHARGE			PRESSURES		
MODEL	REF TYPE	OZ.	LP	DP	HP
C20 AIR	R12	18	13		250
C20 WATER	R12	12	13	125	250
C30 AIR	R502	26	30		
C30 WATER	R502	16	30	225	400
C40 AIR	R12	23	13		
C40 WATER	R12	18	13	125	250
C40 REMOTE	R12	160	13		250
C40 AIR	R502	32	37		
C40 WATER	R502	16	37	225	400
C40 REMOTE	R502	160	37		400
C50 AIR	R502	32	30		
C50 WATER	R502	18	30	225	400
C50 REMOTE	R502	160	30		400

LP= LOW PRESSURE/TIMER INITIATE CONTROL SETTING

DP=DISCHARGE PRESSURE SETTING/WATER COOLED CUBERS

HP=HIGH PRESSURE SAFETY CONTROL SETTING

3.1 C-SERIES CUBERS C25-C35-C45 "B" SERIES AIR, WATER AND REMOTE

Item Code	Part Description	Part Number	GRP	C	C	C
				25	35	45
AIR COOLED						
15	Fan Motor (50 HZ)	9161045-06	AC		X	
15	Fan Motor (50 HZ)	9161078-02	AC			X
15	Fan Motor (50 HZ)	9161077-02	AC	X		
COMPRESSOR AND COMPONENTS (*Kit Includes Drier and Start Components)						
100	*Compressor Kit-DANFOSS 50HZ	NLA	C	X		
100	Compressor -COPELAND R12 50HZ	NLA	C			X
100	*Compressor Kit-COPELAND R502 50HZ	9181054-12	C		X	X
100	Compressor-COPELAND 50HZ	NLA	C	X		
101	Overload R12 50HZ	9181005-02	C			X
101	Overload 50HZ	9181005-01	C		X	
101	Overload COPELAND 50HZ	9181005-13	C	X		
101	Overload R502 50HZ	9181005-14	C			X
105	Run Capacitor 50HZ	9181009-09	C		X	X
110	Start Capacitor 50HZ	9181003-08	C		X	
110	Start Capacitor COPELAND 50HZ	9181003-04	C	X		
110	Start Capacitor DANFOSS 50HZ	9181061-61	C	X		
110	Start Capacitor R12 50HZ	9181003-02	C			X
110	Start Capacitor R502 50HZ	9181003-08	C			X
115	Start Relay 50HZ	9181010-09	C		X	
115	Start Relay COPELAND 50HZ	9181004-06	C	X		
115	Start Relay DANFOSS 50HZ	9181004-09	C	X		
115	Start Relay R12 50HZ	9181004-07	C			X
115	Start Relay R502 50HZ	9181010-09	C			X
ELECTRICAL						
210	Contactora - 1 Pole 50 Hz	9101002-04	E	X	X	X
215	Terminal Board - 3 Pole	9101037-01	E	X	X	X
225	Relay 50 HZ	9101084-02	E	X	X	X
255	Timing Module	9101148-01	E	X	X	X
EVAPORATOR						
320	Evaporator Plate Assy - Jumbo	NLA	EV	X	X	
320	Evaporator Plate Assy - Jumbo	NLA	EV			X
PANELS						
506	Front Panel, Stainless (50 HZ)	NLA	P	X	X	X
506	Front Panel, Grey (Roto-Mold) (50 HZ)	NLA	P	X	X	X
REFRIGERATION						
625	Hot Gas Valve Body - ALCO	9151123-01	REF	X	X	X
630	Hot Gas Valve Coil-ALCO 230V	9151123-04	REF	X	X	X
635	Low Pressure Timer Initiate (13 PSI)	9041094-01	REF	X	X	X
REMOTE						
715	Liquid Line Solenoid Body - ALCO	9151123-02	REM			X
720	Liquid Line Solenoid Coil-ALCO 230V	9151123-04	REM			X
REMOTE CONDENSER						
775	FAN MOTOR (50 HZ) (LARKIN ONLY)	1011179-99	RC			X
781	UPGRADE KIT (MOTOR, BRKT & FAN BLADE)	NLA	RC			X
783	FAN BLADE (INCLUDED IN KIT)	9131214-02	RC			X
784	FAN MOTOR (INCLUDED IN KIT)	9161087-02	RC			X
WATER PUMP						
865	Water Pump Bracket, Stainless Steel (LATE)	3012354-01	WP	X	X	X
875	Water Pump 1550 RPM 230V	9161076-02	WP	X	X	X
WATER PURGE VALVE						
880	Water Purge Valve Assy 230V	9041053-02	WPV	X		X

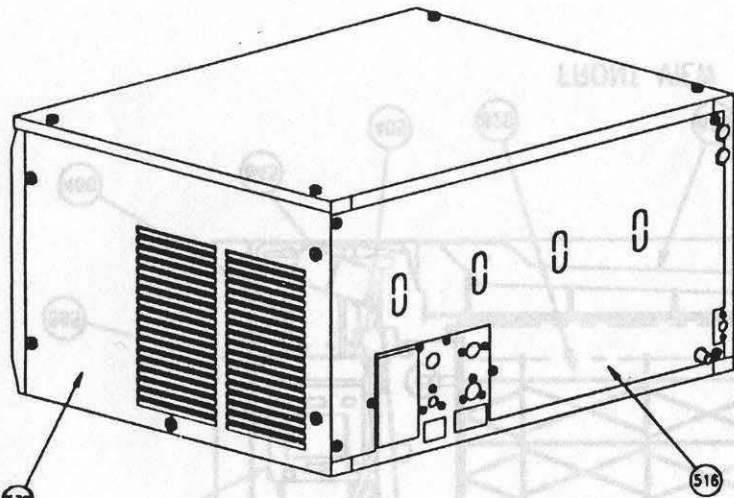
880	Water Purge Valve Assy 230V	9041060-02	WPV		X	X
890	Water Purge Valve Coil 230V	9041053-91	WPV	X	X	X

REFRIGERANT CHARGE			PRESSURES		
MODEL	REF TYPE	OZ.	LP	DP	HP
C25 AIR	R12	18	13		250
C25 WATER	R12	12	13	125	250
C35 AIR	R502	26	30		
C35 WATER	R502	16	30	225	400
C45 AIR	R12	23	13		
C45 WATER	R12	18	13	125	250
C45 REMOTE	R12	160	13		250
C45 AIR	R502	32	37		
C45 WATER	R502	16	37	225	400
C45 REMOTE	R502	160	37		400

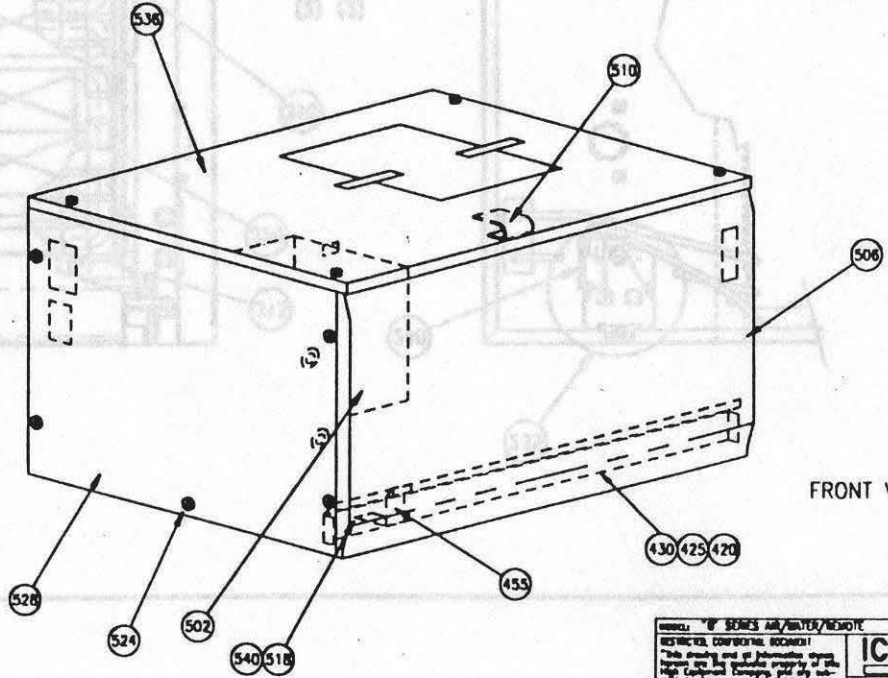
LP= LOW PRESSURE/TIMER INITIATE CONTROL SETTING

DP=DISCHARGE PRESSURE SETTING/WATER COOLED CUBERS

HP=HIGH PRESSURE SAFETY CONTROL SETTING



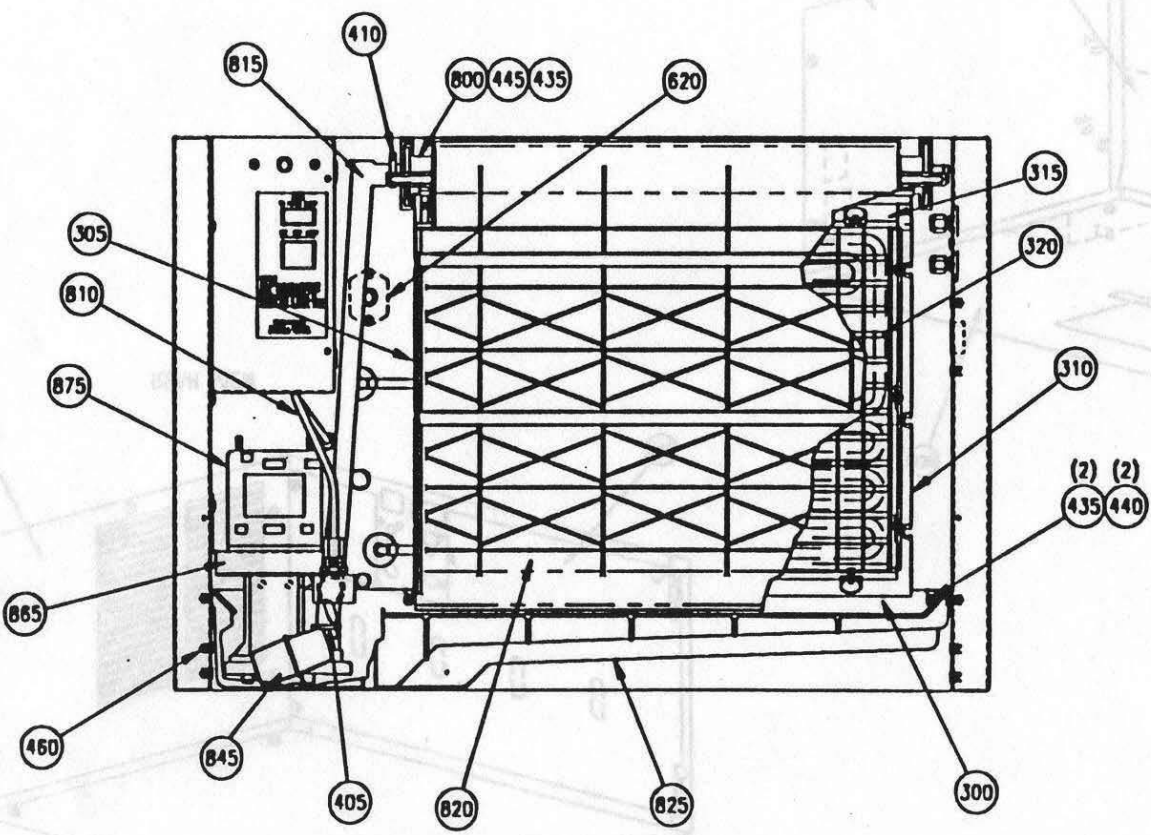
REAR VIEW



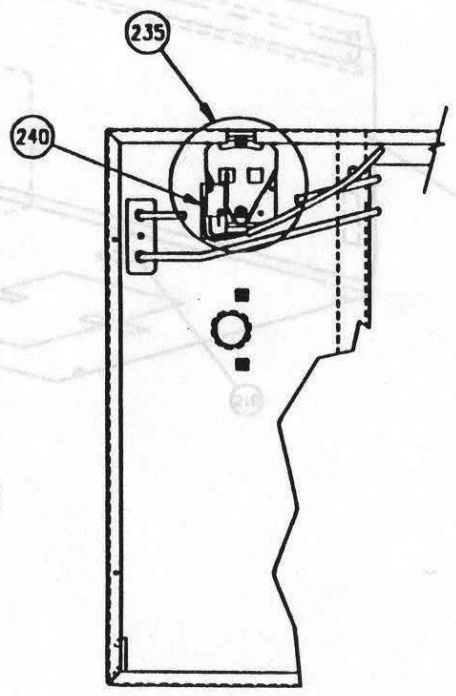
FRONT VIEW

MODEL: F SERIES AIR/WATER/REMOTE
 RESTRICTED COPYRIGHT DOCUMENT
 This drawing and all information contained herein are the exclusive property of the manufacturer. No part of this drawing may be reproduced or transmitted in any form or by any means, electronic or mechanical, including photocopying, recording, or by any information storage and retrieval system, without the prior written permission of the manufacturer.
ICE-O-MATIC
 PANEL ASSEMBLY

LEADLINE VIEW

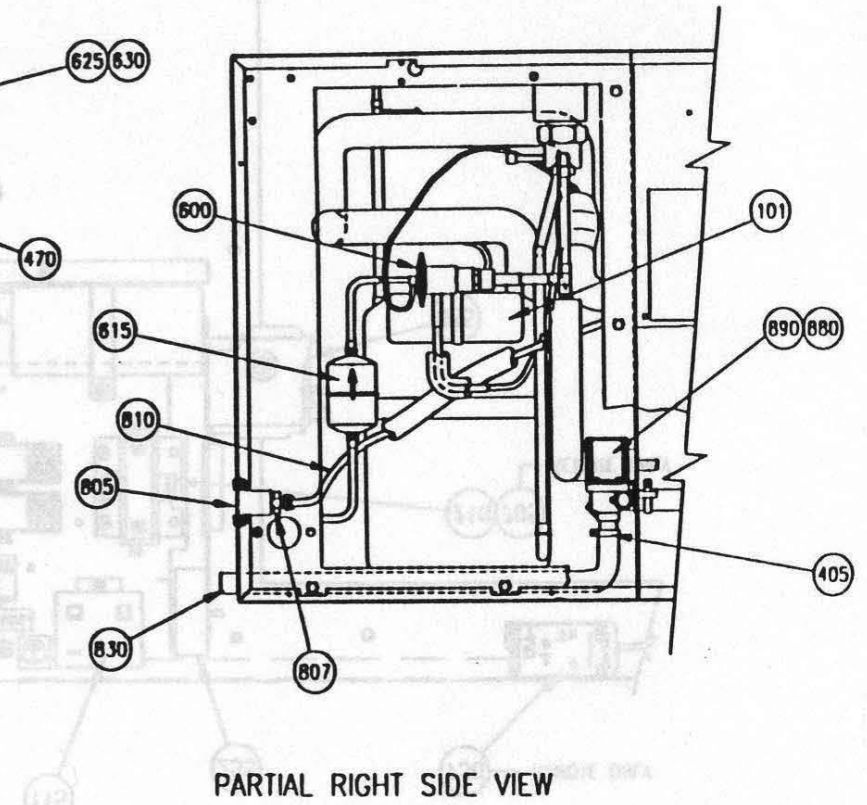
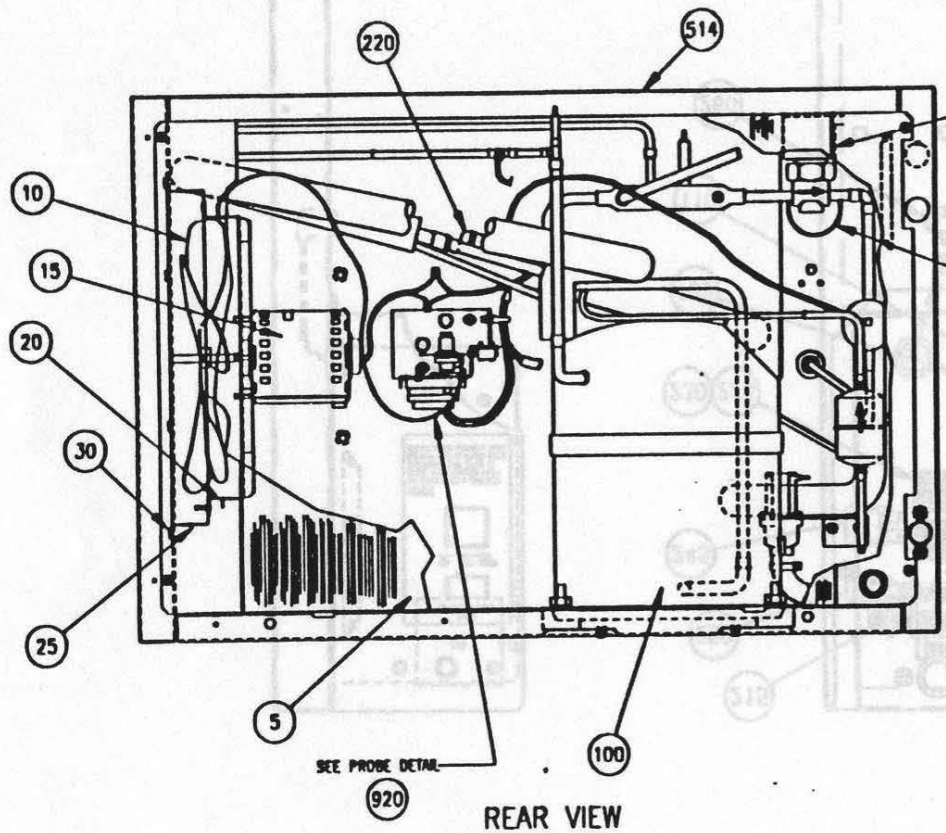


FRONT VIEW



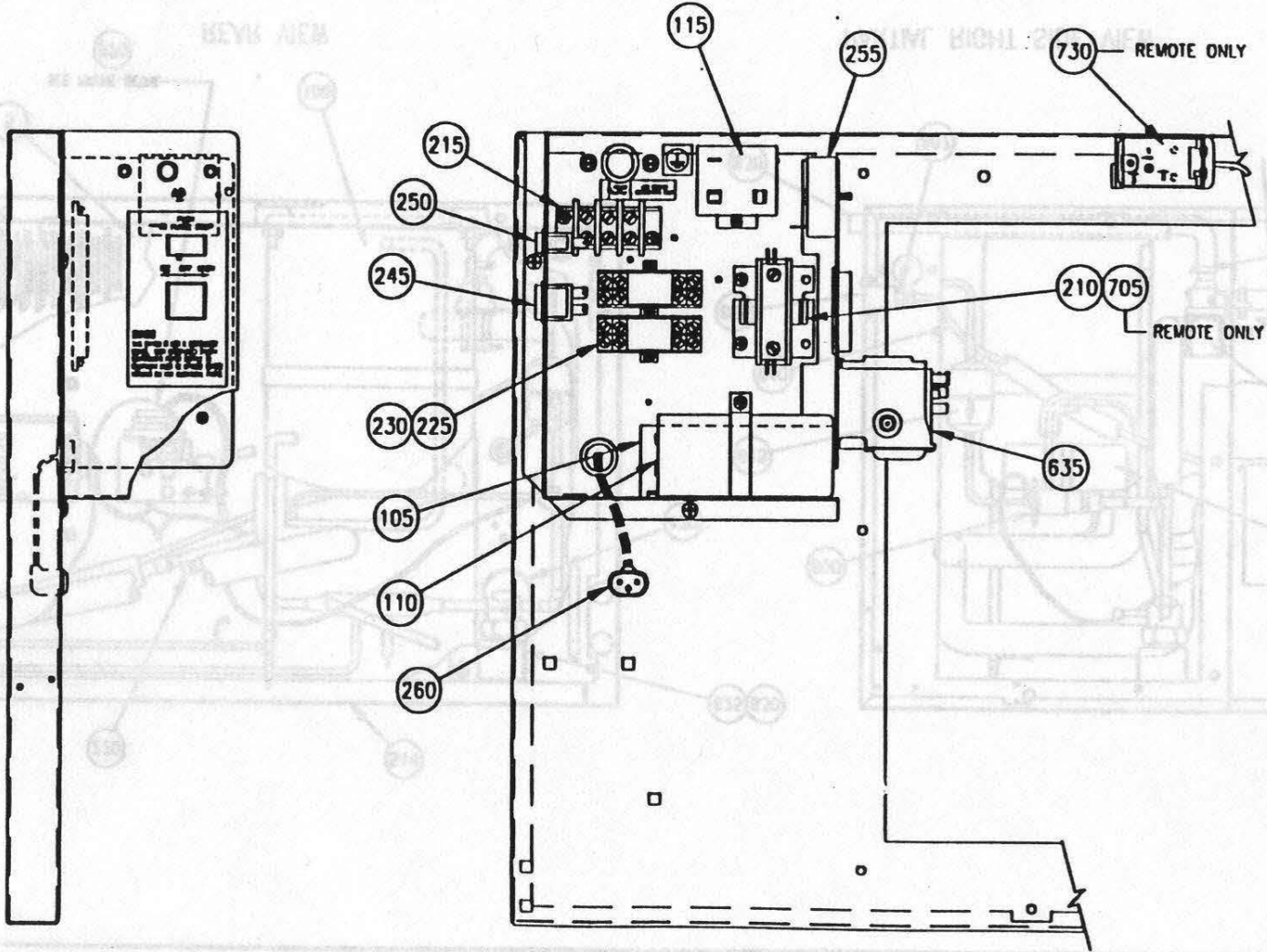
PARTIAL RIGHT SIDE VIEW

ICE MATIC
CHASSIS ASSEMBLY



MODEL: 17 SERIES 14/16/20/26/30
 REFRIG. SERVICE POINT
 This drawing and all dimensions are
 subject to change without notice.

ICE-O-MATIC

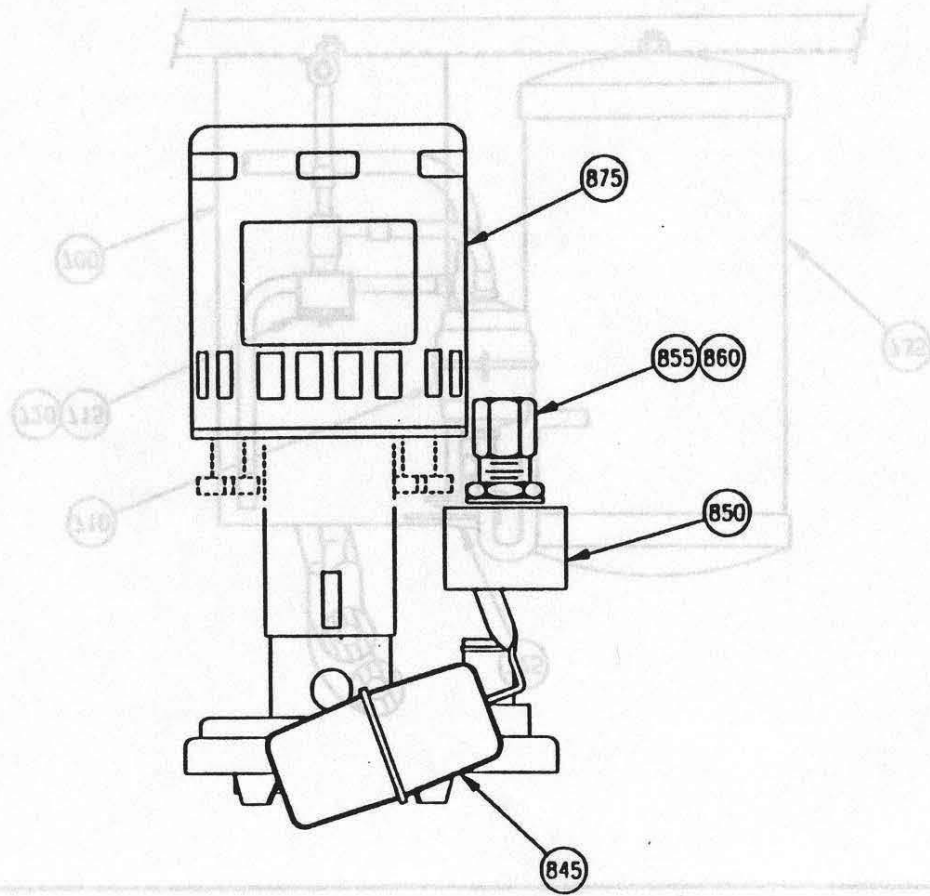
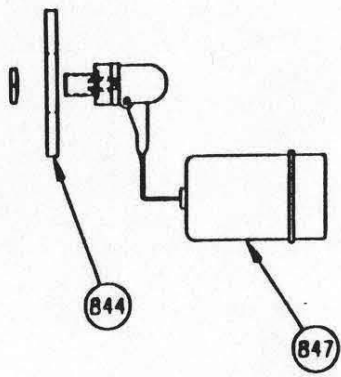


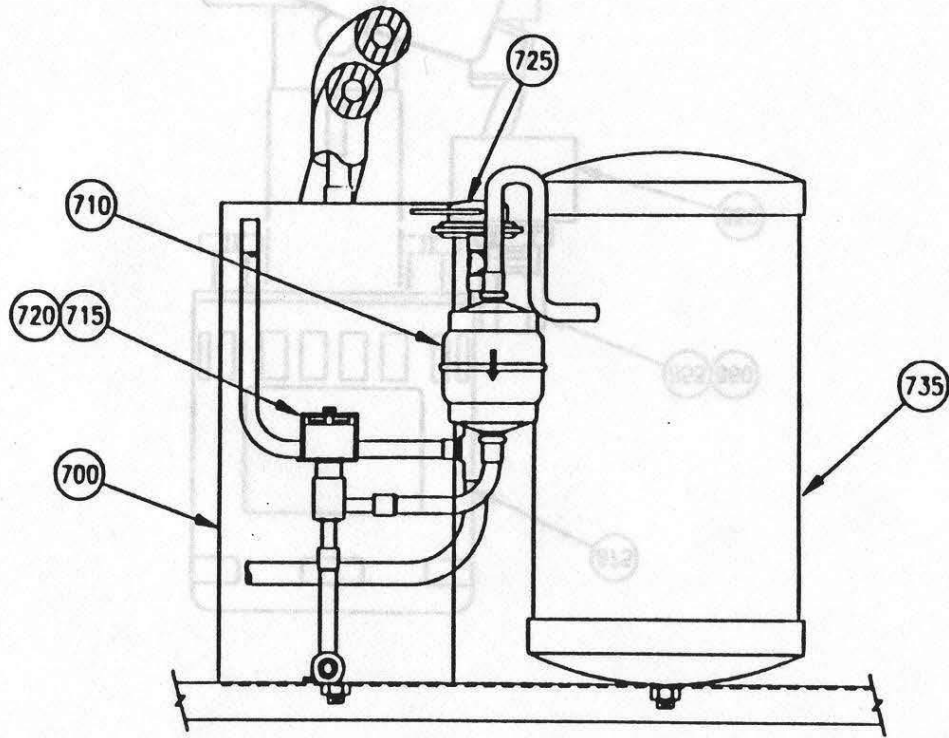
FRONT VIEW

RIGHT SIDE VIEW

CONTROL BOX ASSEMBLY

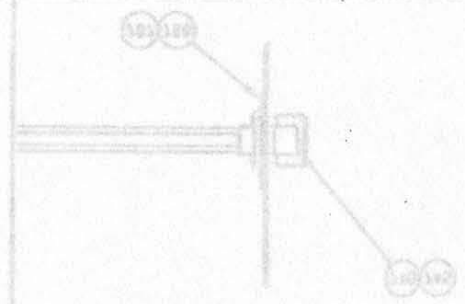
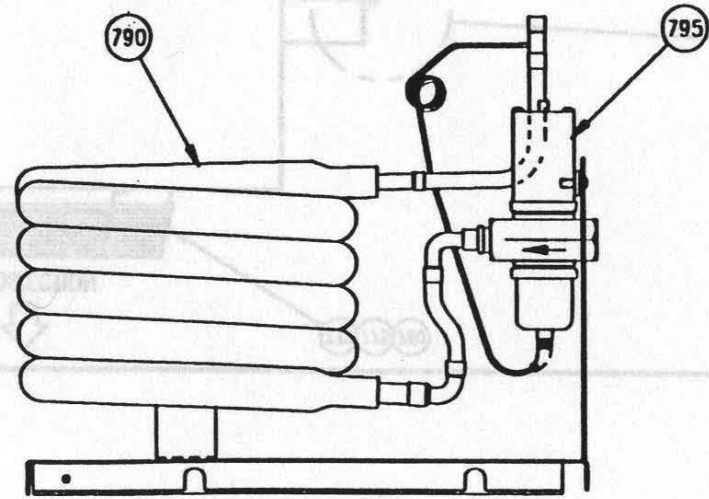
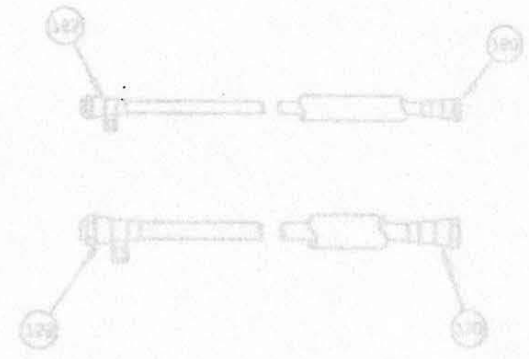
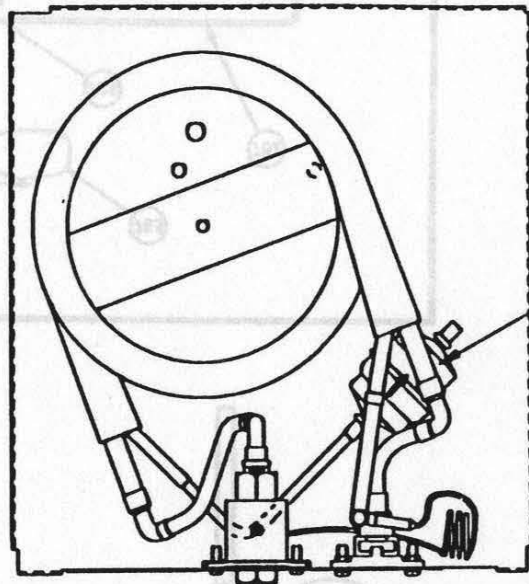
<p>ICE MATIC</p> <p>CONTROL BOX ASSEMBLY</p>	<p>ICE MATIC</p> <p>CONTROL BOX ASSEMBLY</p>
---	---



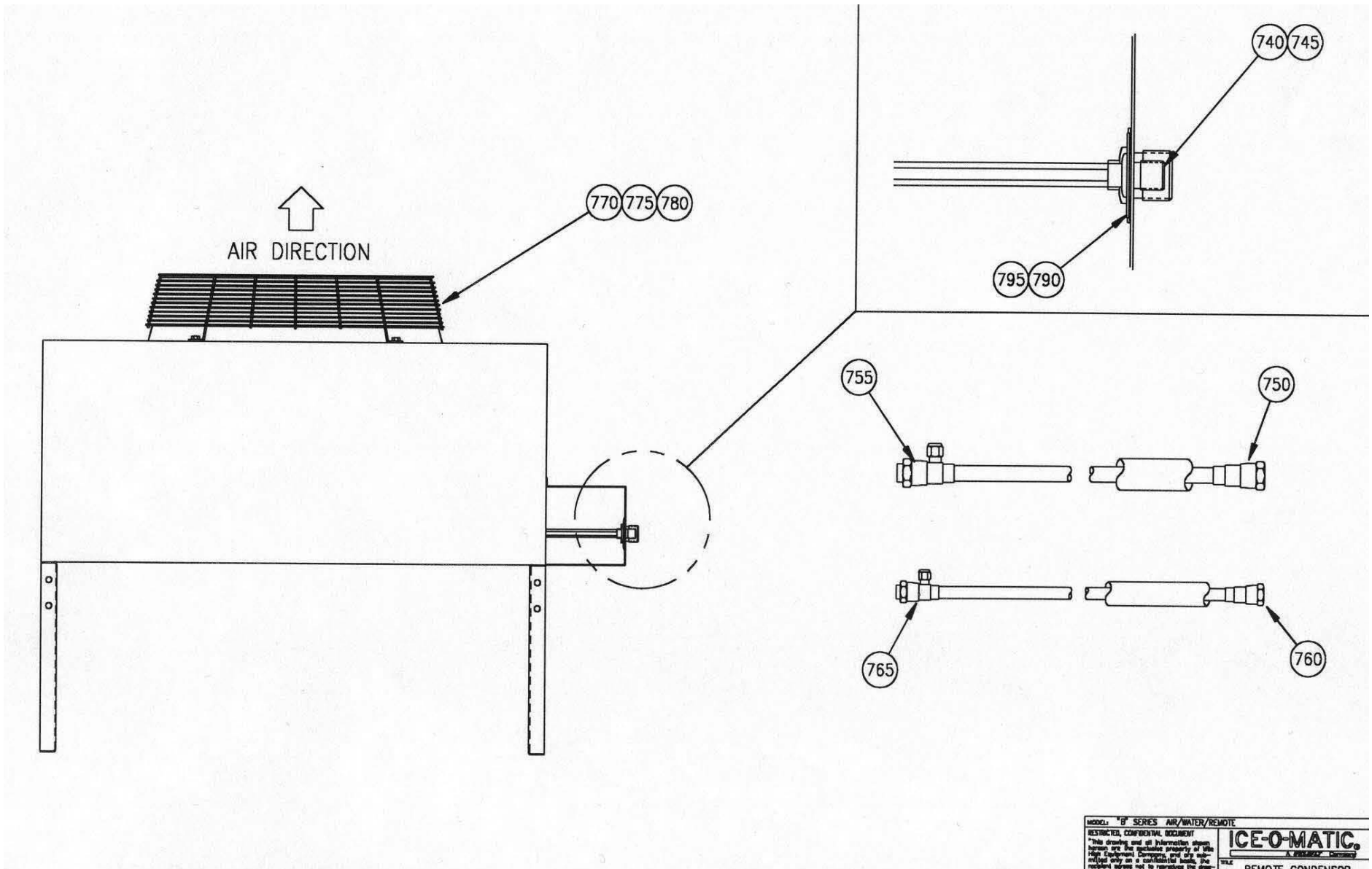


Model 7 SERIES AIR/WATER/FROST
 RESTRICTED COPYRIGHT MATERIAL
 This drawing and all information hereon
 are the property of the
 manufacturer and are not to be
 reproduced or transmitted in any form
 or by any means, electronic, mechanical,
 photocopying, recording, or by any
 information storage and retrieval system
 without the prior written permission
 of the manufacturer.

ICE-O-MATIC
 REMOTE RECEIVER
 ASSEMBLY

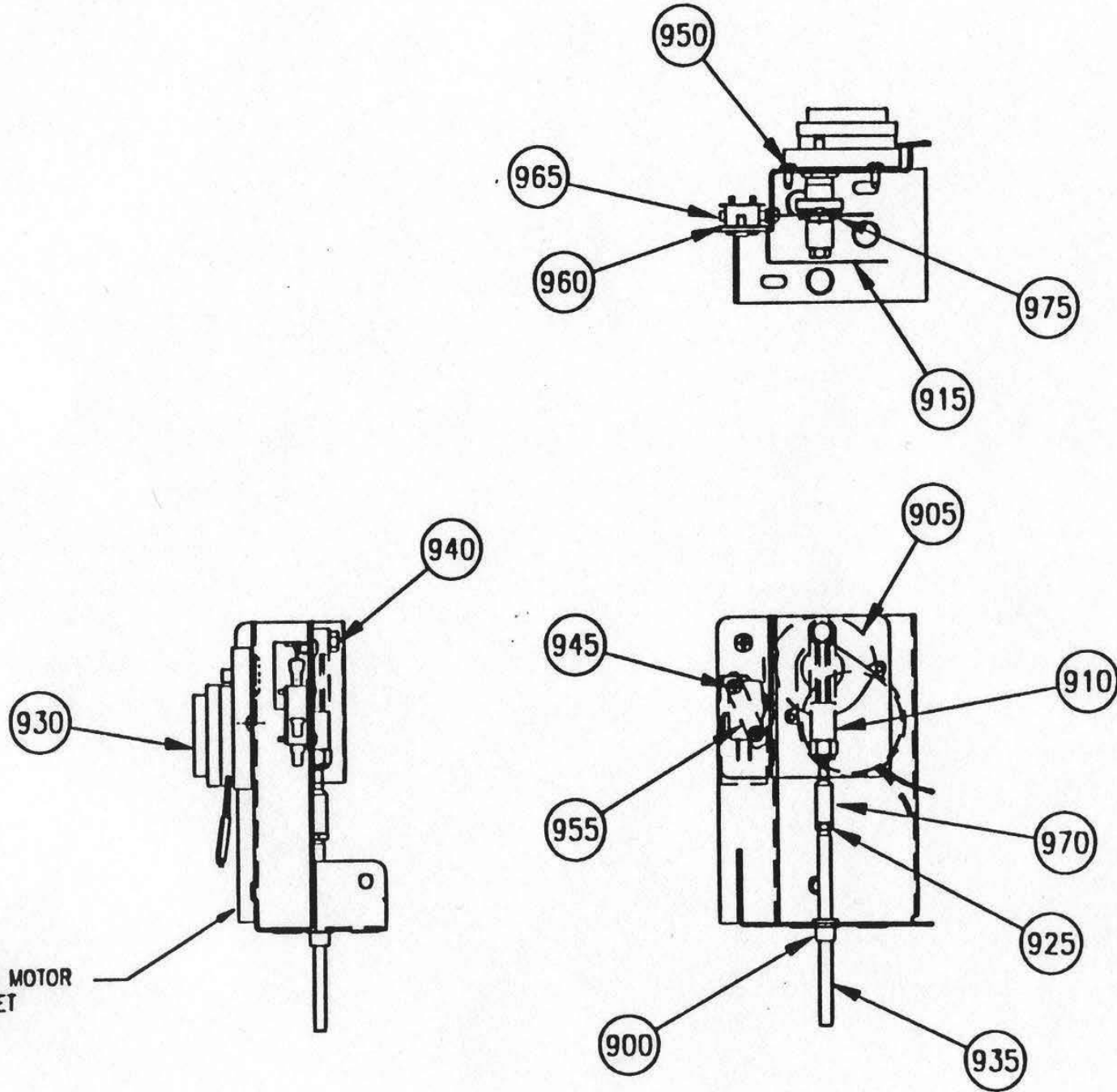


ICE-O-MATIC
 WCOND
 ASSEMBLY



MODEL "O" SERIES AIR/WATER/REMOTE
 RESTRICTED, CONFIDENTIAL DOCUMENT
 "This drawing and all information shown hereon are the exclusive property of the High Challenge Company, and are submitted only on a confidential basis. The recipient agrees not to reproduce the drawing or information contained hereon without the express written consent of the High Challenge Company."
ICE-O-MATIC
 A HERBETZ COMPANY
 REMOTE CONDENSOR

PROBE MOTOR
BRACKET



HARVEST PROBE ASSEMBLY