



SERVICE PARTS MANUAL
ICE UNDERCOUNTER SERIES CUBERS
MODEL-ICEU150, ICEU200, ICEU205, ICEU206
Manufactured Prior to August 2004



14-1017

Date 12/14/15

ICE Undercounter Service Parts

This parts list contains the service parts available for the ICE Undercounter icemakers.

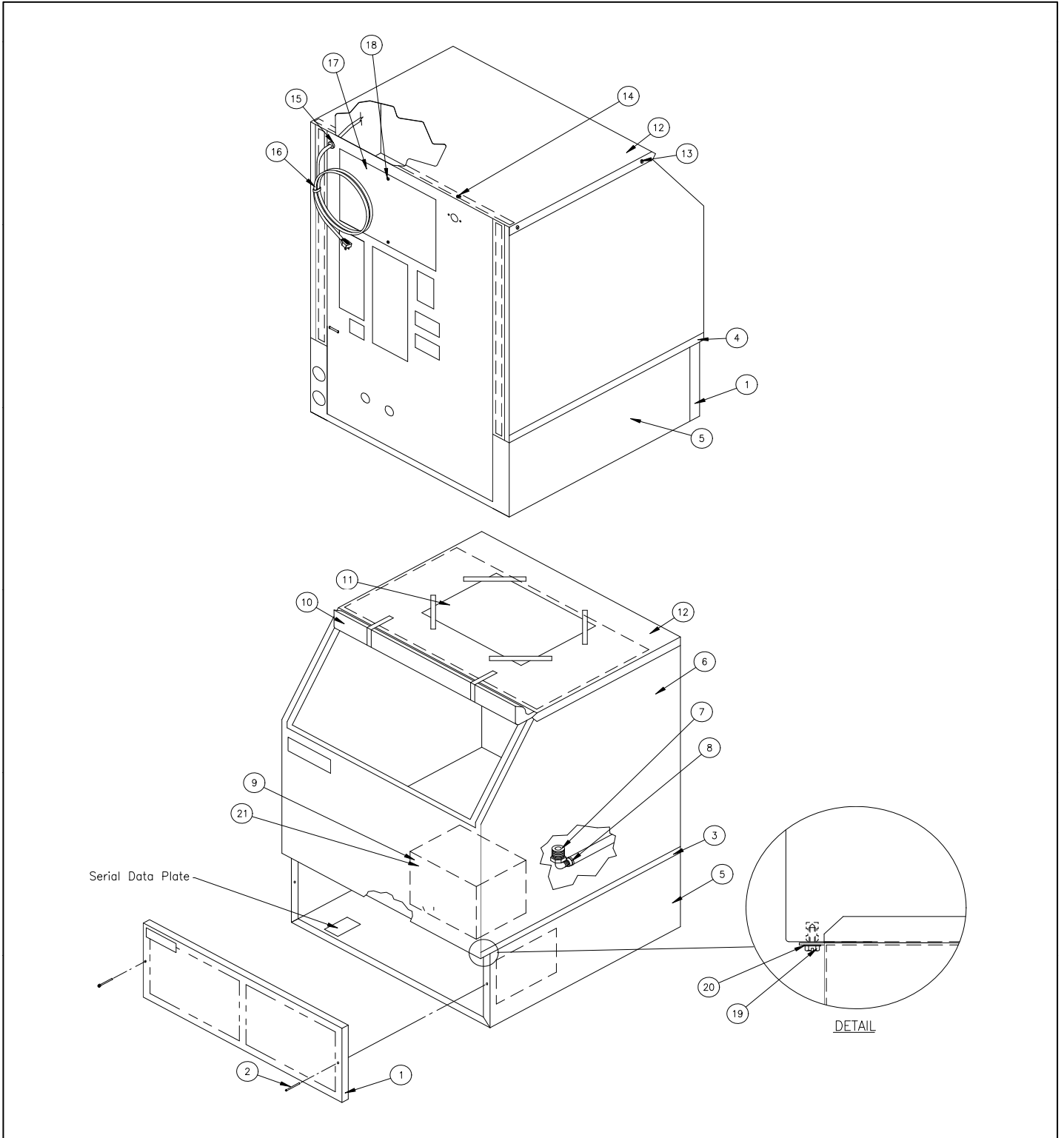
Check the model number on the data plate and refer to the correct listing for the specific component.

Check carefully that the correct part is identified and ordered.

| | |
|---|--------------------|
| Table of Contents | Page 1 |
| Bin and Exterior Components | Page 2 - 3 |
| Evaporator Assembly and Water System | Page 4 - 5 |
| Refrigeration System-Air Cooled | Page 6 - 7 |
| Refrigeration System-Water Cooled | Page 8 - 9 |
| Control Box Assembly | Page 10 -11 |
| Water Pump Assembly | Page 12 |
| Harvest Assist Components | Page 13 |

Ice-O-Matic
11100 East 45th Ave.
Denver Co. 80239
800-423-3367

The ICE Series Service Manual is available separately, Part Number 9081270-01



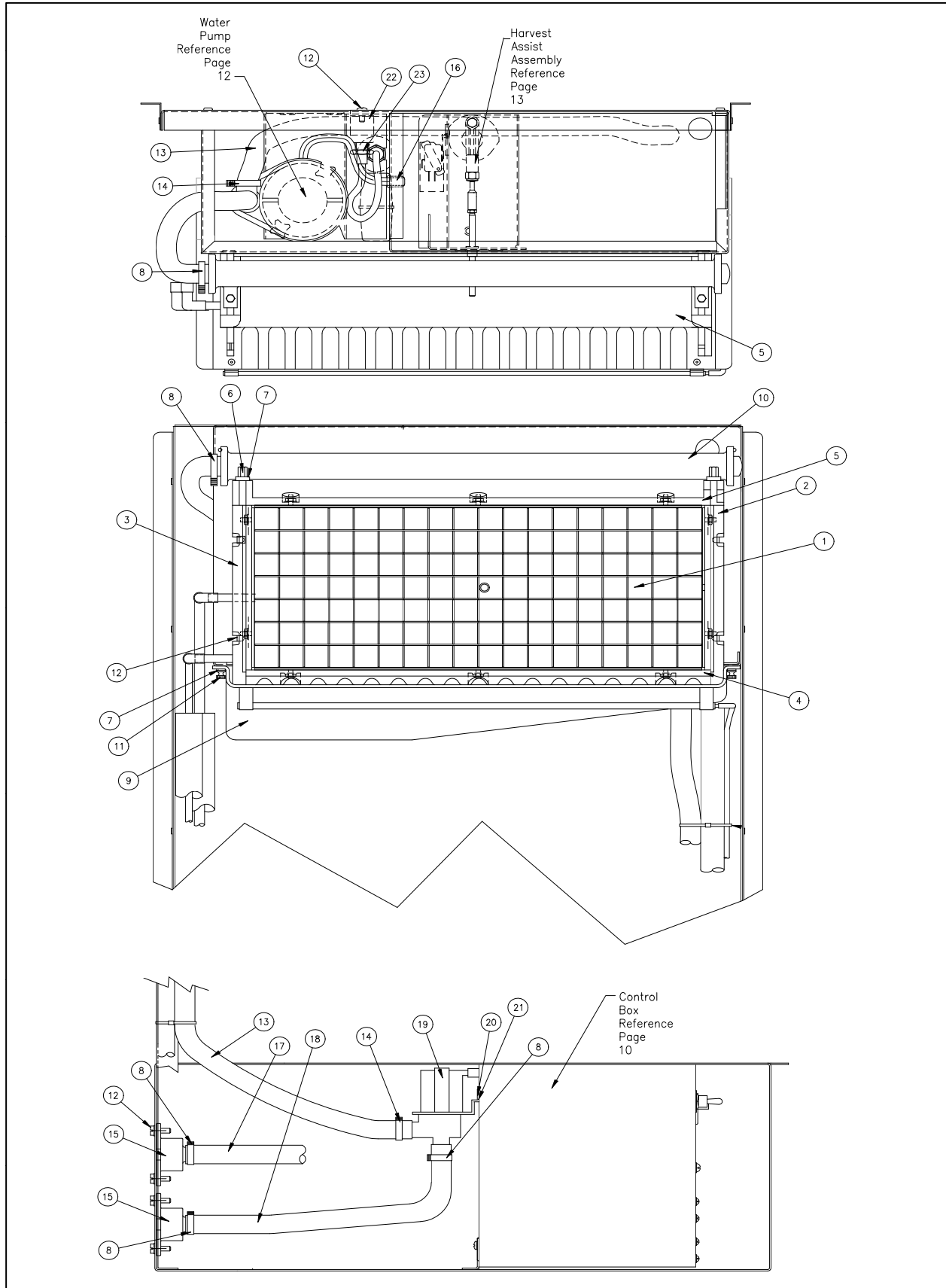
ICE Undercounter Service Parts

Bin and Exterior Components

| Item | Description | ICEU150 | ICEU200 | ICEU205 | ICEU206 |
|------|------------------------------------|--------------------|--------------------|--------------------|--------------------|
| 1 | Front Grill Panel | 9051515-01 | 9051515-01 | 9051515-01 | 9051515-01 |
| 2 | Grill Panel Screw #8 x 11/2 | 9031074-02 | 9031074-02 | 9031074-02 | 9031074-02 |
| 3 | Trim Strip RH | 3021410-01 | 3021410-01 | 3021410-01 | 3021410-01 |
| 4 | Trim Strip LH | 3021410-02 | 3021410-02 | 3021410-02 | 3021410-02 |
| 5 | Side Panel S/S NLA-NR | 3021717-01 | 3021717-01 | 3021717-01 | 3021717-01 |
| 6 | Bin Assembly NLA-NR | 2101275-01S | 2101275-01S | 2101275-01S | 2101275-01S |
| 7 | Elbow, 3/4MPT x 1/2 | 9091122-02 | 9091122-02 | 9091122-02 | 9091122-02 |
| 8 | Plastic Hose Clamp | 9021010-03 | 9021010-03 | 9021010-03 | 9021010-03 |
| 9 | Leg Set (4 ea.) | 9021001-04 | 9021001-04 | 9021001-04 | 9021001-04 |
| 10 | Bin Door, Black | 9051310-01 | 9051310-01 | 9051310-01 | 9051310-01 |
| 11 | Owners Manual | 9081264-01 | 9081264-01 | 9081264-01 | 9081264-01 |
| 12 | Top Panel 3021540-02 is NLA | 2101408-01 | 2101408-01 | 2101408-01 | 2101408-01 |
| 13 | Top Panel Screw #8-32 x 3/8 | 9031023-10 | 9031023-10 | 9031023-10 | 9031023-10 |
| 14 | Top Panel Screw #8-32 x 1/2 | 9031019-07 | 9031019-07 | 9031019-07 | 9031019-07 |
| 15 | Strain Relief | 9121015-04 | 9121015-04 | N/A | N/A |
| 16 | Power Cord | 9101242-01 | 9101242-01 | N/A | N/A |
| 17 | Panel, Rear Access | 3012149-01 | 3012149-01 | 3012149-01 | 3012149-01 |
| 18 | Screw #10-16 x 1/2 | 9031046-01 | 9031046-01 | 9031046-01 | 9031046-01 |
| 19 | Screw Hex Head #8-32 x 3/8 | 9031112-01 | 9031112-01 | 9031112-01 | 9031112-01 |
| 20 | Lockwasher #8 External | 9031042-02 | 9031042-02 | 9031042-02 | 9031042-02 |
| 21 | Ice Scoop | 9051127-02 | 9051127-02 | 9051127-02 | 9051127-02 |

NLA-NR=No Longer Available-No Replacement

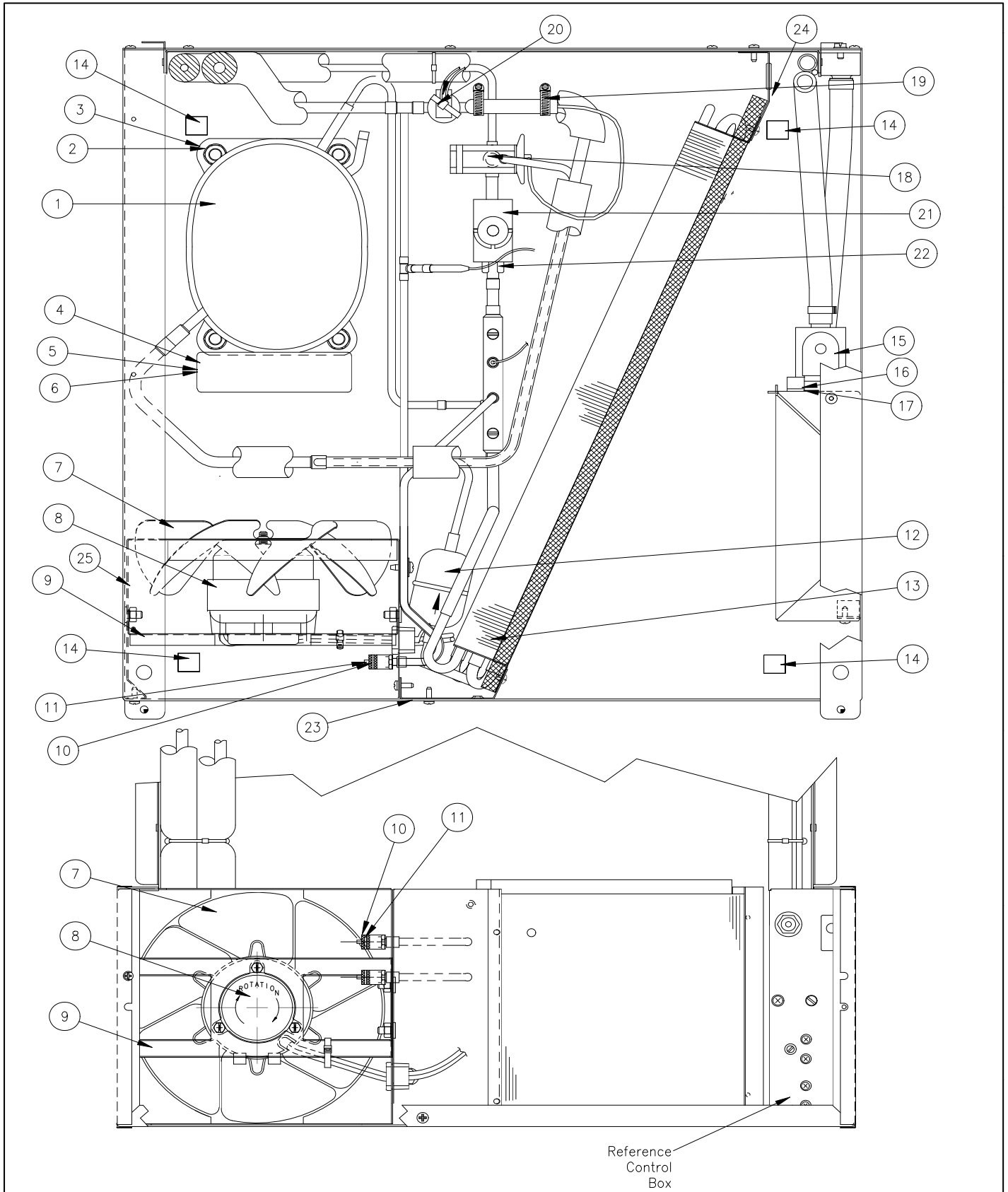
N/A = Not Applicable



ICE Undercounter Service Parts

Evaporator and Water System

| Item | Description | ICEU150 | ICEU200 | ICEU205 | ICEU206 |
|------|---|-------------|-------------|-------------|-------------|
| 1 | Evaporator Full Cube 2051157-81 is NLA | 2051231-01S | 2051231-01S | 2051231-01S | 2051231-01S |
| | Evaporator Full Cube (Beg. Ser. G239-03907-Z) | 2051231-01S | | | |
| | Evaporator Full Cube (Beg. Ser. H2) | | 2051231-01S | 2051231-01S | 2051231-01S |
| 1 | Evaporator Half Cube 20501157-82 is NLA | 2051231-02S | 2051231-02S | 2051231-02S | 2051231-02S |
| | Evaporator Half Cube (Beg. Ser. G239-03907-Z) | 2051231-02S | | | |
| | Evaporator Half Cube (Beg Ser. H2) | | 2051231-02S | 2051231-02S | 2051231-02S |
| 2 | Evaporator RH Side Panel | 9051136-04 | 9051136-04 | 9051136-04 | 9051136-04 |
| 3 | Evaporator LH Side Panel | 9051136-03 | 9051136-03 | 9051136-03 | 9051136-03 |
| 4 | Evaporator Water Return | 9051135-02 | 9051135-02 | 9051135-02 | 9051135-02 |
| 5 | Evaporator Water Spillway | 9051135-01 | 9051135-01 | 9051135-01 | 9051135-01 |
| 6 | Thumbscrew #8-32 x 3/8 | 9031122-01 | 9031122-01 | 9031122-01 | 9031122-01 |
| 7 | Rubber Washer | 9031004-19 | 9031004-19 | 9031004-19 | 9031004-19 |
| 8 | Hose Clamp | 9021010-04 | 9021010-04 | 9021010-04 | 9021010-04 |
| 9 | Water Trough Assembly | 2101151-01S | 2101151-01S | 2101151-01S | 2101151-01S |
| 10 | Water Distribution Tube Assembly | 2041338-01 | 2041338-01 | 2041338-01 | 2041338-01 |
| 11 | Thumbscrew #10-32 x 5/8 | 9031122-02 | 9031122-02 | 9031122-02 | 9031122-02 |
| 12 | Screw #10-16 x 1/2 S/S | 9031046-01 | 9031046-01 | 9031046-01 | 9031046-01 |
| 13 | Hose PVC 5/8 I.D. 45.0 Inches | 6021015-04 | 6021015-04 | 6021015-04 | 6021015-04 |
| 14 | Hose Clamp | 9021010-05 | 9021010-05 | 9021010-05 | 9021010-05 |
| 15 | Drain Fitting 9091119-01 is NLA | 9091140-01 | 9091140-01 | 9091140-01 | 9091140-01 |
| 16 | Water Pump Connector | 9101218-01 | 9101218-01 | 9101218-01 | 9101218-01 |
| 17 | Hose PVC 9/16 I.D. 13.5 Inches | 6021015-06 | 6021015-06 | 6021015-06 | 6021015-06 |
| 18 | Purge Drain Tube | 9051280-05 | 9051280-05 | 9051280-05 | 9051280-05 |
| 19 | Purge Valve 9041086 is NLA | 9041105-04 | 9041105-04 | 9041105-05 | 9041105-05 |
| 20 | #8-18 x 1/2 Sems S.M. Screw | 9031081-01 | 9031081-01 | 9031081-01 | 9031081-01 |
| 21 | 8A Tinnerman Speed Nut | 9031035-01 | 9031035-01 | 9031035-01 | 9031035-01 |
| 22 | Drop Adapter Fitting | 9091074-01 | 9091074-01 | 9091074-01 | 9091074-01 |
| 23 | Water Inlet Fitting | 9091083-01 | 9091083-01 | 9091083-01 | 9091083-01 |



ICE Undercounter Service Parts

Refrigeration System Air Cooled

NLA-NR = No Longer Available-No Replacement

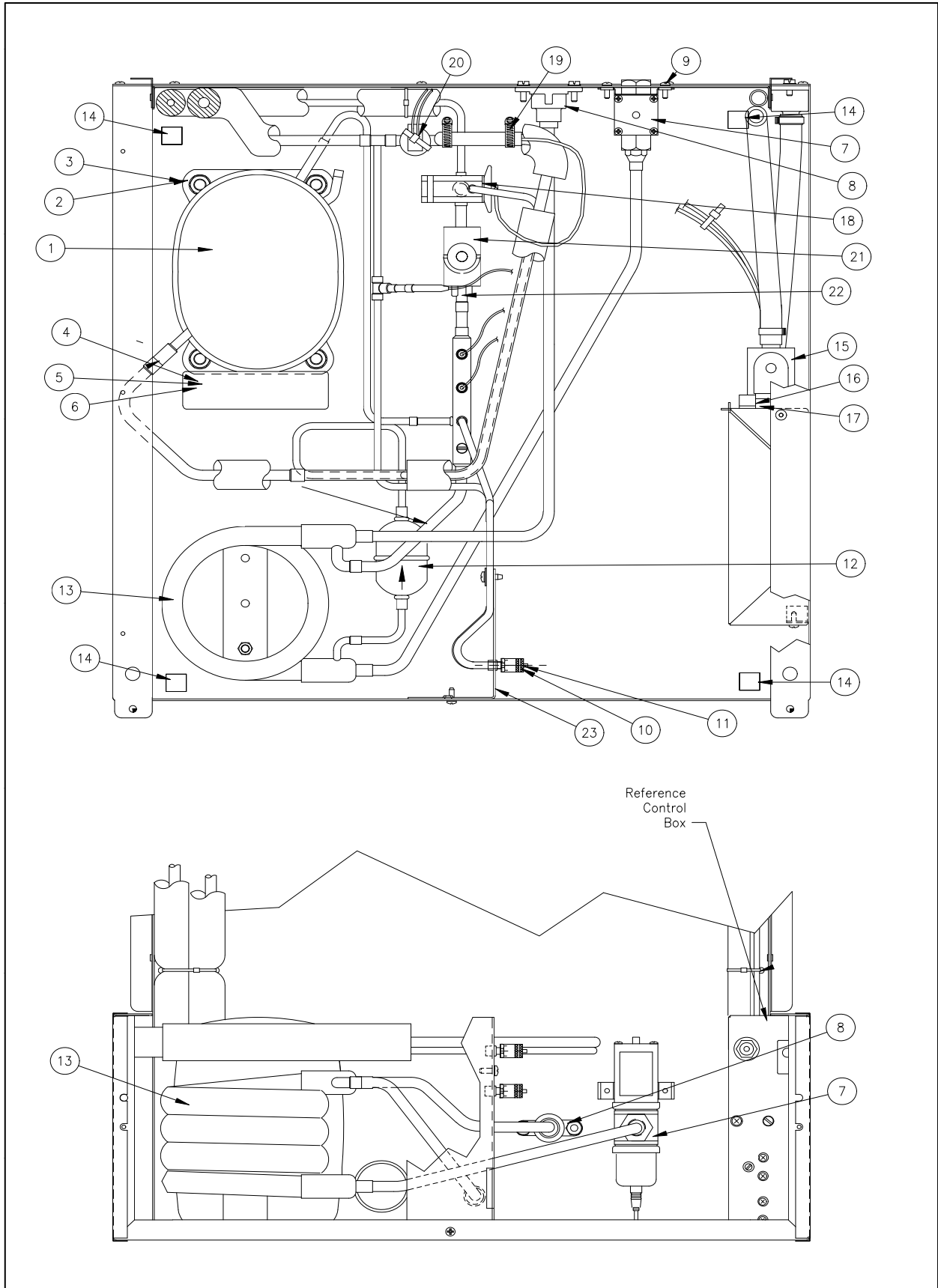
NA=Not Available

| Item | Description | ICEU150 | ICEU200 | ICEU205 | ICEU206 |
|------|---|-------------|-------------|------------|------------|
| 1 | Compressor Kit (Part Number Change) | 9181115-12* | 9181113-11 | | |
| 1 | Compressor Kit NLA-NR | | | 9181084-13 | 9181084-13 |
| 2 | Grommet | 9181002-10 | 9181002-07 | 9181061-80 | 9181061-80 |
| 3 | Sleeve | 9181002-11 | 9181002-08 | 9181061-80 | 9181061-80 |
| 4 | Start Capacitor NLA-NR | 9181003-43 | 9181003-35 | 9181003-27 | 9181003-27 |
| 5 | Relay | 9181004-24 | 9181004-22 | 9181004-15 | 9181004-15 |
| 6 | Overload | 9181005-42 | 9181005-29 | N/A | N/A |
| 7 | Fan Blade NLA-NR | 9131046-01 | 9131370-01 | 9131370-01 | 9131370-01 |
| 8 | Fan Motor | 9161028-01 | 9161112-01 | 9161112-02 | 9161112-02 |
| 9 | Fan Bracket | 3012869-01 | 3012869-01 | 3012869-01 | 3012869-01 |
| 10 | Valve Cap | 9091086-03 | 9091086-03 | 9091086-03 | 9091086-03 |
| 11 | Valve Core | 9091086-02 | 9091086-02 | 9091086-02 | 9091086-02 |
| 12 | Filter Drier (9151004-02 is NLA) | 9151163-01 | 9151163-01 | 9151163-01 | 9151163-01 |
| 13 | Air Condenser NLA-NR | 9141081-01 | 9141081-01 | 9141081-01 | 9141081-01 |
| 14 | 1/2-13 Self Anchoring Nut Retainer | 9031012-02 | 9031012-02 | 9031012-02 | 9031012-02 |
| 15 | Purge Valve (9041086 is NLA) | 9041105-04 | 9041105-04 | 9041105-05 | 9041105-05 |
| 16 | #8-18 x 1/2 SEMS S.M. Screw | 9031081-01 | 9031081-01 | 9031081-01 | 9031081-01 |
| 17 | 8A Tinnerman Nut | 9031035-01 | 9031035-01 | 9031035-01 | 9031035-01 |
| 18 | Expansion Valve NLA-NR | 9151006-16 | 9151006-16 | 9151006-10 | 9151006-10 |
| 18 | Expansion Valve (Beg. Ser. J1) | 9151156-101 | 9151156-101 | | |
| 19 | Expansion Valve Thermal Bulb Clamp NLA-NR | 9021033-04 | 9021033-04 | 9021033-04 | 9021033-04 |
| 20 | High Temperature Safety Control | 9041087-03 | 9041087-03 | 9041087-03 | 9041087-03 |
| 21 | Hot Gas Valve Coil | 9151123-03 | 9151123-03 | 9151123-04 | 9151123-04 |
| 22 | Hot Gas Valve Body | 9151123-01 | 9151123-05 | 9151123-01 | 9151123-01 |
| 23 | Bracket, Front Condenser | 3012901-01 | 3012901-01 | 3012901-01 | 3012901-01 |
| 24 | Bracket, Rear Condenser | 3012849-01 | 3012849-01 | 3012849-01 | 3012849-01 |
| 25 | Fan Shroud NLA-NR | 2021519-01 | 2021519-01 | 2021519-01 | 2021519-01 |

The 9181115-11 (ASB14C3-IAA) is NLA and the 9181148-11 (ASE14C4E-IAA) is NLA

| Description | Compressor Components | | | |
|-------------------------------|-----------------------|------------|------------|------------|
| | ICEU150 | ICEU200 | ICEU205 | ICEU206 |
| Compressor Kit NLA-NR | | 9181113-11 | 9181084-13 | 9181084-13 |
| Compressor Kit | 9181115-12 | | | |
| Overload | 9181005-38 | 9181005-29 | N/A | N/A |
| Start Capacitor | 9181003-43 | 9181003-35 | 9181003-27 | 9181003-27 |
| Compressor Relay | 9181004-24 | 9181004-22 | 9181004-15 | 9181004-15 |
| Compressor (ASE14C4E-IAA) NLA | 9181148-11 | | | |
| Overload | 9181005-45 | | | |
| Start Capacitor | 9181003-53 | | | |
| Compressor Relay | 9181004-30 | | | |
| Compressor (ASB14CE-IAA) NLA | 9181115-11 | | | |
| Overload | 9181005-42 | | | |
| Start Capacitor | 9181003-43 | | | |
| Compressor Relay | 9181004-24 | | | |

*Note: When installing a 9181115-12 Compressor, it is recommended that the 9161112-01 Fan Motor be installed.



ICE Undercounter Service Parts

Refrigeration System-Water Cooled

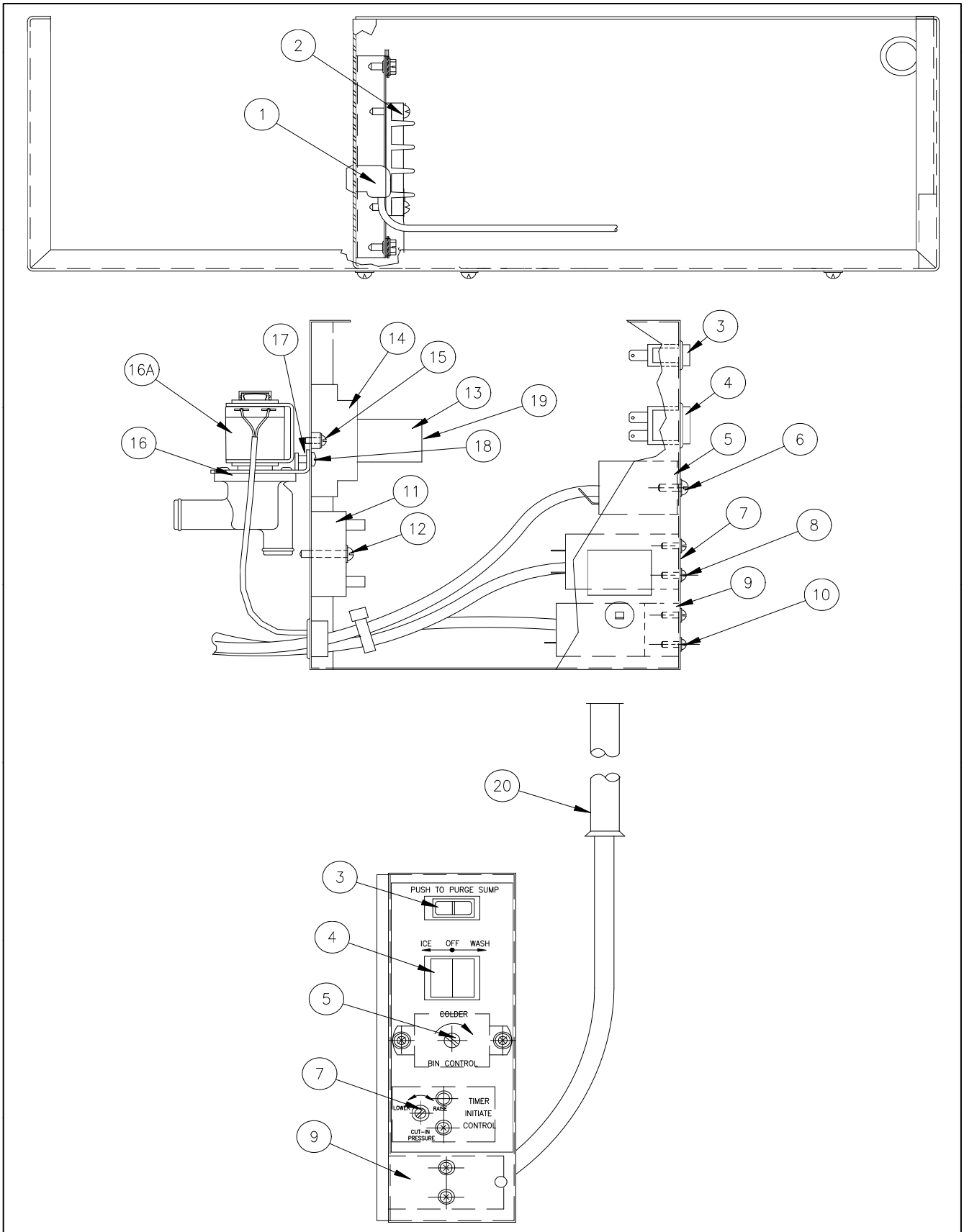
NLA-NR = No Longer Available-No Replacement

NA=Not Available

| Item | Description | ICEU150 | ICEU200 | ICEU205 | ICEU206 |
|------|---|-------------|-------------|------------|------------|
| 1 | Compressor Kit (*Part Number Change) | 9181115-12* | 9181113-11 | 9181084-13 | 9181084-13 |
| 2 | Grommet | 9181002-10 | 9181002-07 | 9181061-80 | 9181061-80 |
| 3 | Sleeve | 9181002-11 | 9181002-08 | 9181061-80 | 9181061-80 |
| 4 | Start Capacitor | 9181003-43 | 9181003-35 | 9181003-27 | 9181003-27 |
| 5 | Relay | 9181004-24 | 9181004-22 | 9181004-15 | 9181004-15 |
| 6 | Overload | 9181005-42 | 9181005-29 | N/A | N/A |
| 7 | Water Valve | 9041059-01 | 9041059-01 | 9041059-01 | 9041059-01 |
| 8 | Drain Fitting (Water Condenser) NLA-NR | 3051201-01 | 3051201-01 | 3051201-01 | 3051201-01 |
| 9 | Screw #8-32 x 1/2 SS | 9031008-07 | 9031008-07 | 9031008-07 | 9031008-07 |
| 10 | Valve Cap | 9091086-03 | 9091086-03 | 9091086-03 | 9091086-03 |
| 11 | Valve Core | 9091086-02 | 9091086-02 | 9091086-02 | 9091086-02 |
| 12 | Filter Drier (9151004-02 is NLA) | 9151163-01 | 9151163-01 | 9151163-01 | 9151163-01 |
| 13 | Water Condenser | 9141022-01 | 9141022-01 | 9141022-01 | 9141022-01 |
| 14 | 1/2-13 Self Anchoring Nut Retainer | 9031012-02 | 9031012-02 | 9031012-02 | 9031012-02 |
| 15 | Purge Valve (9041086 is NLA) | 9041105-04 | 9041105-04 | 9041105-05 | 9041105-05 |
| 16 | #8-18 x 1/2 SEMS S.M. Screw | 9031081-01 | 9031081-01 | 9031081-01 | 9031081-01 |
| 17 | 8A Tinnerman Nut | 9031035-01 | 9031035-01 | 9031035-01 | 9031035-01 |
| 18 | Expansion Valve NLA-NR | 9151006-16 | 9151006-16 | 9151006-10 | 9151006-10 |
| 18 | Expansion Valve (Beg. Ser. J1) | 9151156-101 | 9151156-101 | | |
| 19 | Expansion Valve Thermal Bulb Clamp NLA-NR | 9021033-04 | 9021033-04 | 9021033-04 | 9021033-04 |
| 20 | High Temperature Safety Control | 9041087-03 | 9041087-03 | 9041087-03 | 9041087-03 |
| 21 | Hot Gas Valve Coil | 9151123-03 | 9151123-03 | 9151123-04 | 9151123-04 |
| 22 | Hot Gas Valve Body | 9151123-01 | 9151123-05 | 9151123-01 | 9151123-01 |
| 23 | Bracket, Service Valve | 3012848-01 | 3012848-01 | 3012848-01 | 3012848-01 |

The 9181115-11 (ASB14C3-IAA) is NLA and the 9181148-11 (ASE14C4E-IAA) is NLA

| Description | Compressor Components | | | |
|-------------------------------|-----------------------|------------|------------|------------|
| | ICEU150 | ICEU200 | ICEU205 | ICEU206 |
| Compressor Kit NLA-NR | | 9181113-11 | 9181084-13 | 9181084-13 |
| Compressor Kit | 9181115-12 | | | |
| Overload | 9181005-38 | 9181005-29 | N/A | N/A |
| Start Capacitor | 9181003-43 | 9181003-35 | 9181003-27 | 9181003-27 |
| Compressor Relay | 9181004-24 | 9181004-22 | 9181004-15 | 9181004-15 |
| Compressor (ASE14C4E-IAA) NLA | 9181148-11 | | | |
| Overload | 9181005-45 | | | |
| Start Capacitor | 9181003-53 | | | |
| Compressor Relay | 9181004-30 | | | |
| Compressor (ASB14CE-IAA) NLA | 9181115-11 | | | |
| Overload | 9181005-42 | | | |
| Start Capacitor | 9181003-43 | | | |
| Compressor Relay | 9181004-24 | | | |



ICE Undercounter Service Parts

Control Box Assembly

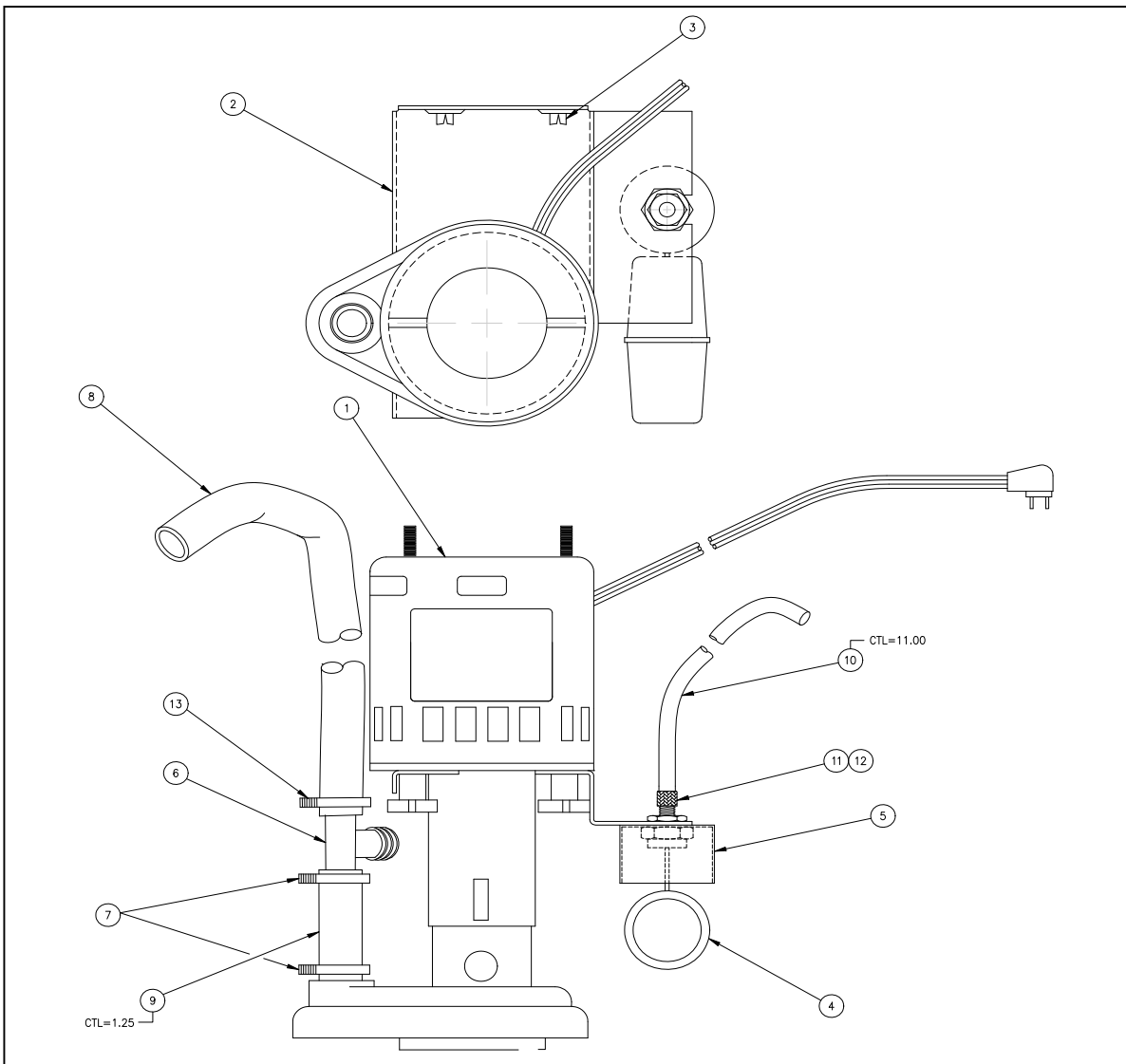
| Item | Description | ICEU150 | ICEU200 | ICEU205 | ICEU206 |
|------|---|--------------|--------------|-------------------|-------------------|
| 1 | Water Pump Connector | 9101218-01 | 9101218-01 | 9101218-01 | 9101218-01 |
| 2 | Terminal Block | 9101037-01 | 9101037-01 | 9101037-01 | 9101037-01 |
| 3 | Switch-Purge 9101139-03 is NLA | 1051208-01 | 1051208-01 | 1051208-01 | 1051208-01 |
| 4 | Ice/Off/Wash Switch 9101195-01 is NLA | 9101349-01 | 9101349-01 | 9101349-01 | 9101349-01 |
| 5 | Thermostat-Bin Control | 9041097-01 | 9041097-01 | 9041097-01 | 9041097-01 |
| 6 | Screw 8-32 x 3/8 | 9031008-02 | 9031008-02 | 9031008-02 | 9031008-02 |
| 7 | Low Pressure Control 9041094-01 is NLA | 9041104-101A | 9041104-101A | 9041104-101A | 9041104-101A |
| 8 | Screw 6-32 x 3/8 | 9031008-22 | 9031008-22 | 9031008-22 | 9031008-22 |
| 9 | High Pressure Control NLA-NR | | | 9041095-02 | 9041095-02 |
| | High Pressure Control | 9041095-01 | 9041095-01 | | |
| 10 | Screw 6-32 x 3/8 | 9031008-22 | 9031008-22 | 9031008-22 | 9031008-22 |
| 11 | Timing Module | 9101148-01 | 9101148-01 | 9101148-01 | 9101148-01 |
| 12 | Screw #8 x 1 S.M. | 9031046-06 | 9031046-06 | 9031046-06 | 9031046-06 |
| 13 | Relay | 9101084-01 | 9101084-01 | 9101084-02 | 9101084-02 |
| 14 | Socket-Relay | 9101083-01 | 9101083-01 | 9101083-01 | 9101083-01 |
| 15 | Screw #6 x 1/2 S.M. | 9031046-05 | 9031046-05 | 9031046-05 | 9031046-05 |
| 16 | Purge Valve 9041086 is NLA | 9041105-04 | 9041105-04 | 9041086-05 | 9041086-05 |
| 16A | Purge Valve Coil Only Not Available | NA | NA | NA | NA |
| 17 | 8A Tinnerman Speed Nut | 9031035-01 | 9031035-01 | 9031035-01 | 9031035-01 |
| 18 | #8-18 x 1/2 Sems S.M. Screw | 9031081-01 | 9031081-01 | 9031081-01 | 9031081-01 |
| 19 | Hold Down Spring - Relay | 9101083-02 | 9101083-02 | 9101083-02 | 9101083-02 |
| 20 | Tube Conduit, Plastic | 3051192-01 | 3051192-01 | 3051192-01 | 3051192-01 |

NLA-NR = No Longer Available-No Replacement

NA=Not Available

| Item | Description | ICEU150 | ICEU200 | ICEU205 | ICEU206 |
|------|--|--------------|--------------|--------------|--------------|
| 1 | Water Pump 115 V | 9161076-01 | 9161076-01 | | |
| 1 | Water Pump 230 V | | | 9161076-02 | 9161076-02 |
| | Thumbscrew for Water Pump (2 Req) | 9161076-101 | 9161076-101 | 9161076-101 | 9161076-101 |
| 2 | Pump Bracket | 3012847-01 | 3012847-01 | 3012847-01 | 3012847-01 |
| 3 | Plastic Nut | 9031141-01 | 9031141-01 | 9031141-01 | 9031141-01 |
| 4 | Float 91311111-01 is NLA | 91311111-101 | 91311111-101 | 91311111-101 | 91311111-101 |
| 5 | Cap Plug | 9131026-02 | 9131026-02 | 9131026-02 | 9131026-02 |
| 6 | Plastic Barbed Tee 5/8 | 9091024-01 | 9091024-01 | 9091024-01 | 9091024-01 |
| 7 | Plastic Clamp | 9021010-04 | 9021010-04 | 9021010-04 | 9021010-04 |
| 8 | Hose PVC 9/16 (Formed) | 9051280-05 | 9051280-05 | 9051280-05 | 9051280-05 |
| 9 | Hose PVC 5/8 - 1.25 Inch Required | 6021015-04 | 6021015-04 | 6021015-04 | 6021015-04 |
| 10 | Tube-Polyethylene - 11 Inches Required | 6021032-01 | 6021032-01 | 6021032-01 | 6021032-01 |
| 11 | Barrel Fitting | 9091080-01 | 9091080-01 | 9091080-01 | 9091080-01 |
| 12 | Sleeve | 9091081-01 | 9091081-01 | 9091081-01 | 9091081-01 |
| 13 | Plastic Clamp 9021010-03 is NLA | 9021010-04 | 9021010-04 | 9021010-04 | 9021010-04 |

Please note: Thumbscrews are shipped with the Water Pumps when ordered as a service replacement part.



ICE Undercounter Service Harvest Assist Assembly

Reference the Model Number below for the specific Harvest Assist Assembly

| Item | ICEU150 | ICEU200 | ICEU205 | ICEU206 | Description |
|------|-------------|-------------|-------------|-------------|-------------------------|
| | 1051210-01A | 1051210-01A | 1051210-02A | 1051210-02A | Harvest Assist Assembly |
| | 2061962-01S | 2061962-01S | 2061962-02S | 2061962-02S | No Longer Available |

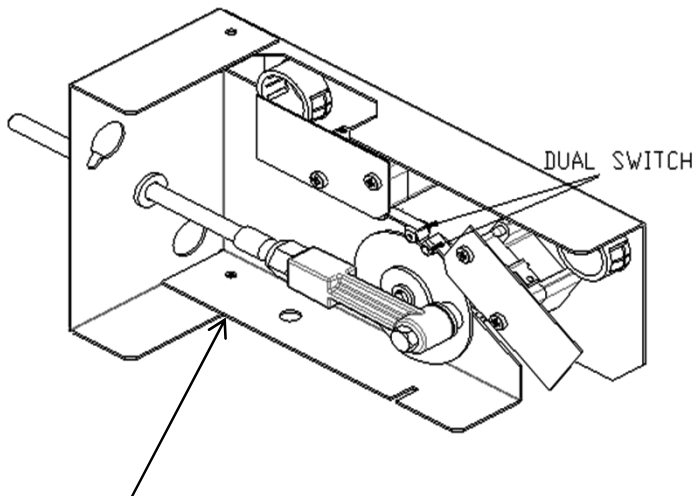


- The **1051210-XXA** assembly will fit all ICE Models from October 1999 and EC Models.
- Units installed with a double cam switch, either Field installed or Factory installed will require the complete assembly and a potential wiring change as per the New Wiring Diagram included with the assembly.
- Individual component parts are not available for the **1051210-XXA** assembly.
- Individual component parts are No Longer Available for previous version of the Harvest Assist Assembly
- Parts for the **2061962-XX** Harvest Assist Assembly are not compatible with **1051210-XXA** Harvest Assist Assembly.
- Proper assembly and alignment of the parts is critical to proper operation, this includes cam and probe alignment.
- If a **1051210-XXA** assembly fails, it must be returned to Ice-O-Matic.

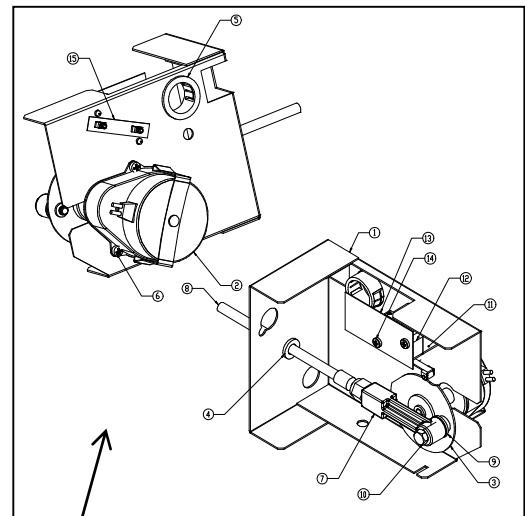
1051210-XXA are only supplied as complete assemblies, individual components are not available.

Please reference the above Model Numbers to insure the correct assembly is supplied

THE DUAL CAM SWITCH HARVEST ASSIST ASSEMBLIES ARE NO LONGER AVAILABLE



| |
|--------------------------------|
| 1051199-01 No Longer Available |
| 1051200-01 No Longer Available |
| 1051201-01 No Longer Available |
| 1051202-01 No Longer Available |
| 1051207-01 No Longer Available |



| |
|---------------------------------|
| 2061962-01S No Longer Available |
| 2061962-05S No Longer Available |
| 2061962-07S No Longer Available |