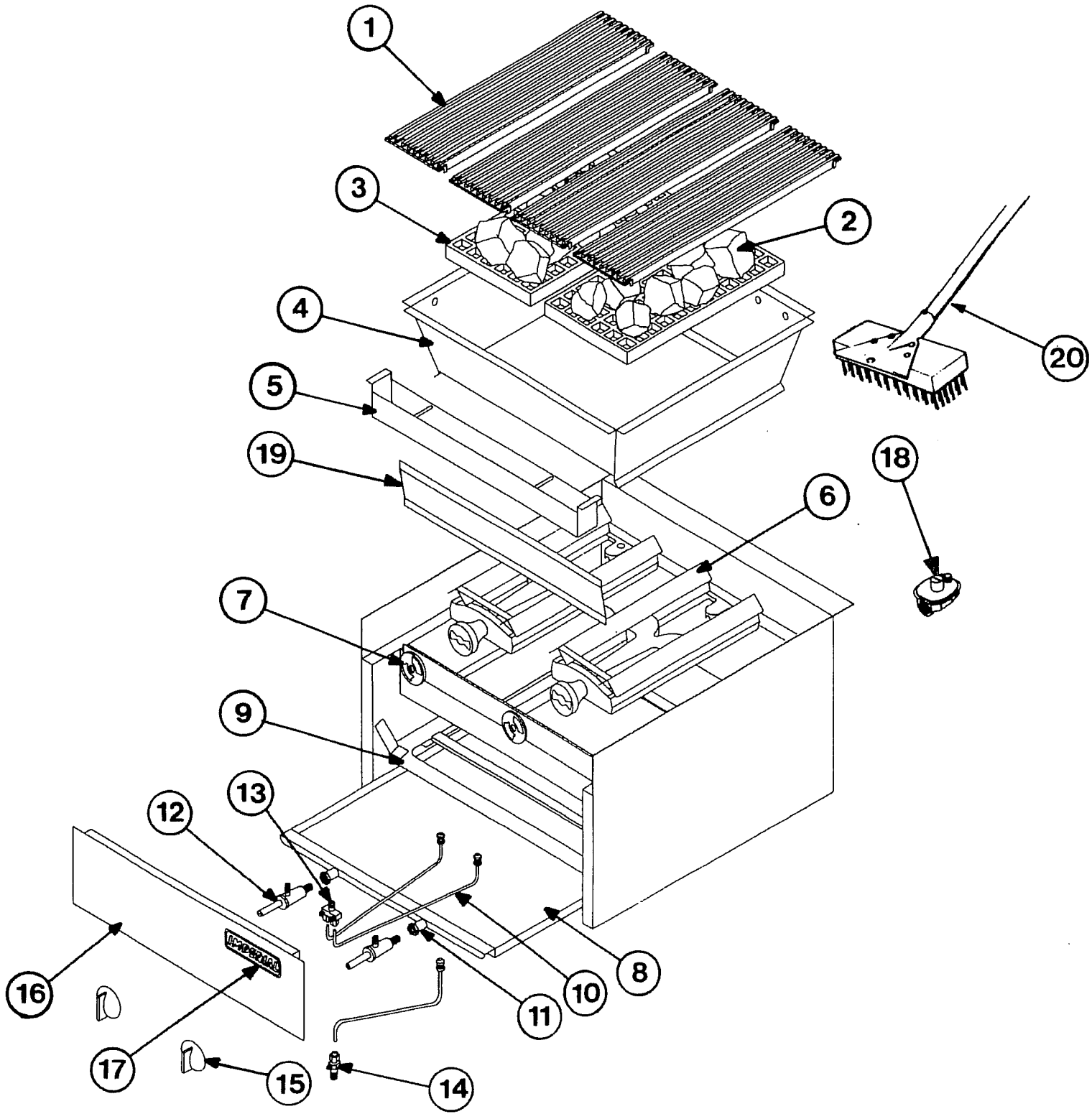


EBA SERIES CHAR-ROCK BROILERS
REPLACEMENT PARTS FOR ALL EBA MODELS



EBA SERIES CHAR ROCK BROILERS

ITEM NO.	DESCRIPTION	PART #	2223	3223	4223
1	Top Grates - Cast Iron 5"x 21"	1206	4	6	8
2	Char-Rock - 20 lbs. Per Box	1080	1	2	2
3	Bottom Grates - Cast Iron 8" x 15"	1207	2	3	4
4	Liner 22"	11300	1		
	Liner 32"	11301		1	
	Liner 42"	11302			1
5	Grease Can 22"	11303	1		
	Grease Can 32"	11304		1	
	Grease Can 42"	11305			1
6	Burner Assembly	11350	2	3	4
7	Burner Air Shutter Mixer	1007	2	3	4
8	Crumb Tray 22"	11306	1		
	Crumb Tray 32"	11307		1	
	Crumb Tray 42"	11308			1
9	Manifold 22"	11312	1		
	Manifold 32"	11313		1	
	Manifold 42"	11314			1
10	Pilot Burner Assembly	10000-9	2	3	4
	Pilot Burner Assembly - S/S	10000-9S	2	3	4
	Ferrel 3/16"	1630	2	3	4
	Compression Nut 3/16"	1636	2	3	4
11	Burner Orifice Brass - NAT.	1700-36	2	3	4
	Burner Orifice Brass - L.P.	1700-50	2	3	4
12	Burner Gas Valve - Brass	1610	2	3	4
13	Adjustable Double Pilot Valve - Brass	1608	1	1	2
14	Adjustable Single Pilot Valve - Brass	1607		1	
15	Burner Knob - Chrome	1009	2	3	4
	Burner Knob - W / Logo	2721	2	3	4
16	Valve Cover (Stainless Steel) 22"	11309	1		
	Valve Cover (Stainless Steel) 32"	11310		1	
	Valve Cover (Stainless Steel) 42"	11311			1
17	Imperial Logo	1204	1	1	1
	Name Plate Speed Nut	1027	2	2	2
18	Gas Pressure Regulator 3/4" - NAT.	1050	1	1	1
	Gas Pressure Regulator 3/4" - L.P.	1051	1	1	1
19	Burner Front Baffle 22"	11315	1		
	Burner Front Baffle 32"	11316		1	
	Burner Front Baffle 42"	11317			1
20	EBA Broiler Brush	11375	1	1	1