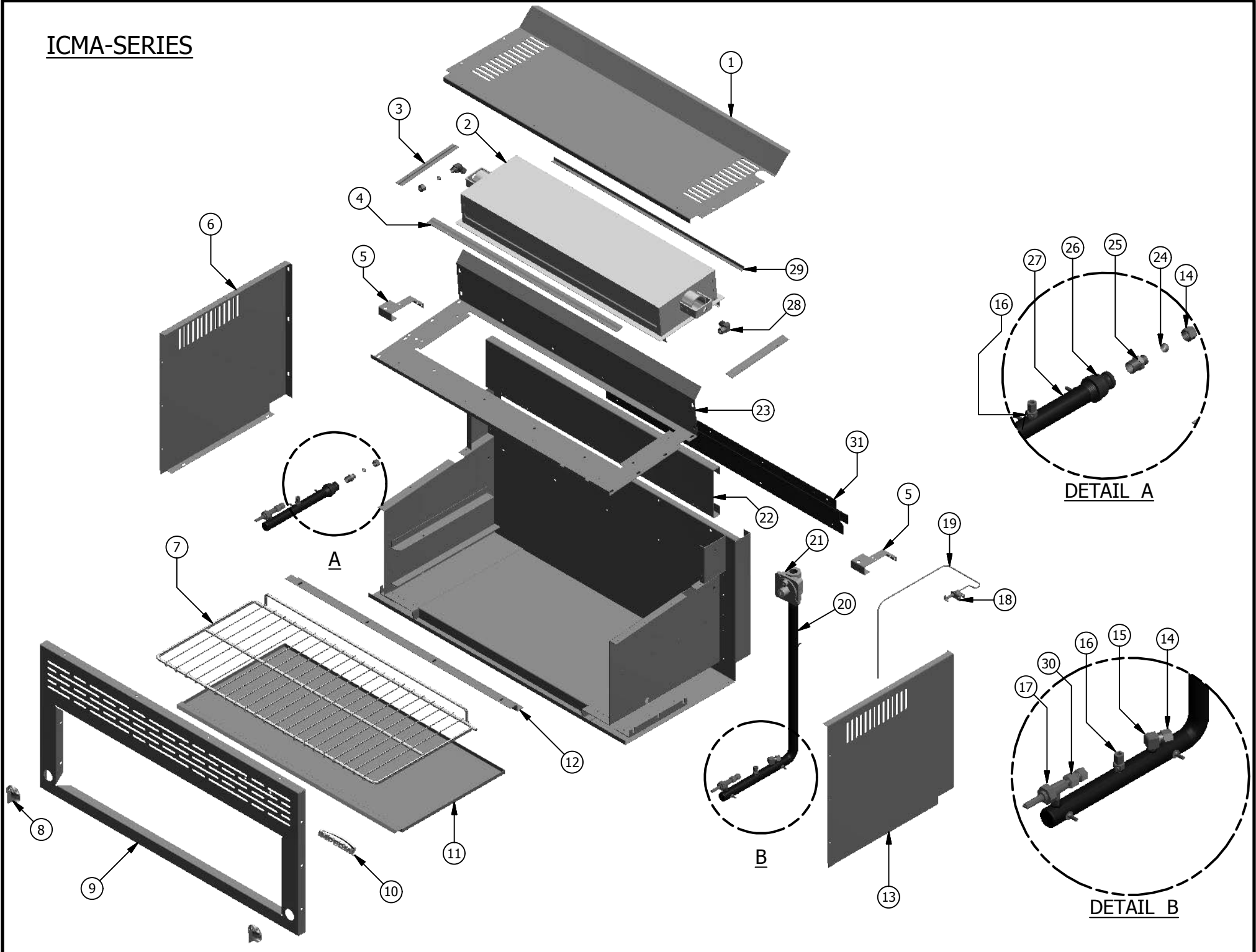


ICMA-SERIES



ICMA Series - Cheesemelter

ITEM NO.	DESCRIPTION	PART NO.	24"	36"	48"	60"	72"
1	24" ISB TOP COVER/PANEL	14000	1	-	-	-	-
***	36" ISB TOP COVER/PANEL	14001	-	1	-	-	-
***	48" ISB TOP COVER/PANEL	14002	-	-	1	-	-
***	60" ISB TOP COVER/PANEL	14003	-	-	-	1	-
***	72" ISB TOP COVER/PANEL	14004	-	-	-	-	1
2	24" INFRA-RED BURNER	1039	1		2	1	-
***	36" INFRA-RED BURNER DUAL INLET	1299	-	1	-	-	-
***	36" INFRA-RED BURNER	1040	-	1	-	1	-
***	ICMA-72 INFRA-RED BURNER (SMALL)	1041	-	-	-	1	3
***	LARGE INFRARED BURNER W/SCREEN	1042	-	1	-	1	2
3	INFRA-RED BURNER HOLDER (L/R)	14020	2	2	4	4	6
4	24" BURNER HOLDER (FRONT)	31423	1	-	2	1	3
***	36" BURNER HOLDER (FRONT)	31424	-	1	-	1	-
5	PILOT BRACKET (L/R)	14030	1	2	2	2	3
6	SIDE PANEL (L/H)	14010	1	1	1	1	1
7	24" CHROME RACK	2027	1	-	-	-	-
***	36" CHROME RACK	4039-1	-	1	-	-	-
***	48" CHROME RACK	4040-1	-	-	1	-	-
***	60" CHROME RACK	2030	-	-	-	1	-
***	72" CHROME RACK	2031	-	-	-	-	1
8	ICMA KNOB	2720-1	1	2	2	2	3
9	24" FRONT COVER	14005	1	-	-	-	-
***	36" FRONT COVER	14006	-	1	-	-	-
***	48" FRONT COVER	14007	-	-	1	-	-
***	60" FRONT COVER	14008	-	-	-	1	-
***	72" FRONT COVER	14009	-	-	-	-	1
10	SMALL IMPERIAL LOGO	37766	1	1	1	1	1
***	PUSH NUT	36569	2	2	2	2	-
11	24" CRUMB TRAY	14080	1	-	-	-	-
***	36" CRUMB TRAY	14081	-	1	-	-	-
***	48" CRUMB TRAY	14082	-	-	1	-	-
***	60" CRUMB TRAY	14083	-	-	-	2	-
***	72" CRUMB TRAY	35086	-	-	-	-	2
12	24" HEAT RAIL	14015	1	-	-	-	-
***	36" HEAT RAIL	14016	-	1	-	-	-
***	48" HEAT RAIL	14017	-	-	1	-	-
***	60" HEAT RAIL	14018	-	-	-	1	-
***	72" HEAT RAIL	14019	-	-	-	-	1
13	SIDE PANEL (R/H)	14011	1	1	1	1	1
14	3/8 COMPRESSION NUT	30266	-	1	1	1	1
15	90 DEGREE ELBOW	30287	-	1	1	1	1
16	STRAIGHT VALVE / IRB SINGLE PILOT	1607	1	1-2	2	2	-
***	DUAL PILOT VALVE 3/16 CC X 1/8 MPT BRASS	1003	-	-	-	-	1
***	3/16" SHORT COMPRESSION NUT	30277	1	1-2	2	2	3
***	3/16" COMPRESSION SLEEVE	30280	1	1-2	2	2	3
17	GAS VALVE BURNER	1610	1	1-2	2	2	3
18	ISB PILOT	1291	1	1-2	2	2	3
***	PILOT BELL ORIFICE #18 (NAT)	1017	1	1-2	2	2	3

ICMA Series - Cheesemelter

ITEM NO.	DESCRIPTION	PART NO.	24"	36"	48"	60"	72"
***	PILOT BELL ORIFICE #10 (LPG)	1018	1	1-2	2	2	3
19	3/16" X 24" FLEX TUBING	37001-24	1	2	-	-	-
***	3/16" X 38" FLEX TUBING	37001-38	-	-	2	2	2
***	3/16" X 58" FLEX TUBING	37001-58	-	-	-	-	1
20	ISB MANIFOLD W/ FASTENERS	0999-1	1	1	1	1	
***	ISB-72 MANIFOLD ASSY	CALL FACTORY	-	-	-	-	1
21	GAS PRESSURE REGULATOR (NAT)	38733	1	1	1	1	1
***	GAS PRESSURE REGULATOR (LP)	38734	1	1	1	1	1
22	24" BACK FLUE SUPPORT	14050	1	-	-	-	-
***	36" BACK FLUE SUPPORT	14051	-	1	-	-	-
***	48" BACK FLUE SUPPORT	14052	-	-	1	-	-
***	60" BACK FLUE SUPPORT	14053	-	-	-	1	
***	72" BACK FLUE SUPPORT	14054	-	-	-	-	1
23	24" TOP LINER	14045	1	-	-	-	-
***	36" TOP LINER	14046	-	1	-	-	-
***	48" TOP LINER	14047	-	-	1	-	-
***	60" TOP LINER	14048	-	-	-	1	-
***	72" TOP LINER	14049	-	-	-	-	1
24	3/8 COMPRESSION SLEEVE BRASS	30272	1	1	1	1	1
25	BRASS STRAIGHT FITTING	2995	1	1	1	1	1
26	BELL REDUCER	30206	1	1	1	1	1
27	ISB MANIFOLD L/H (SMALL)	14042	-	1	1	1	1
28	ORIFICE #45 (NAT)	35126	1	1-2	2	2	3
***	ORIFICE #55 (LP)	1642	1	1-2	2	2	3
29	24" BURNER HOLDER (BACK)	31425	1	-	2	1	3
***	36" BURNER HOLDER (BACK)	31426	-	1	-	1	-
30	3/8-27 X 3/8 CC VALVE ADAPTER BRASS.	30286	1	1-2	2	2	3
31	24" WALL MOUNT KIT	14055	1	-	-	-	-
***	36" WALL MOUNT KIT	14056	-	1	-	-	-
***	48" WALL MOUNT KIT	14057	-	-	1	-	-
***	60" WALL MOUNT KIT	14058	-	-	-	1	-
***	72" WALL MOUNT KIT	14059	-	-	-	-	1
***	REINFORCEMENT CHANNEL SET	14060	1	1	1	1	1
+++	3/8" X 43" FLEX TUBING (TO MANIFOLD)	34679-43	-	1	-	-	-
+++	3/8" X 58" FLEX TUBING (TO MANIFOLD)	34679-58	-	-	1	-	-
+++	3/8" X 67" FLEX TUBING (TO MANIFOLD)	34679-67	-	-	-	1	-
+++	3/8" X 84" FLEX TUBING (TO MANIFOLD)	CALL FACTORY	-	-	-	-	1
+++	3/8" X 18" FLEX TUBING (TO BURNER)	34679-18	1	2	2	2	2
+++	3/8" X 38" FLEX TUBING (TO BURNER)	34679-38	-	-	-	-	1