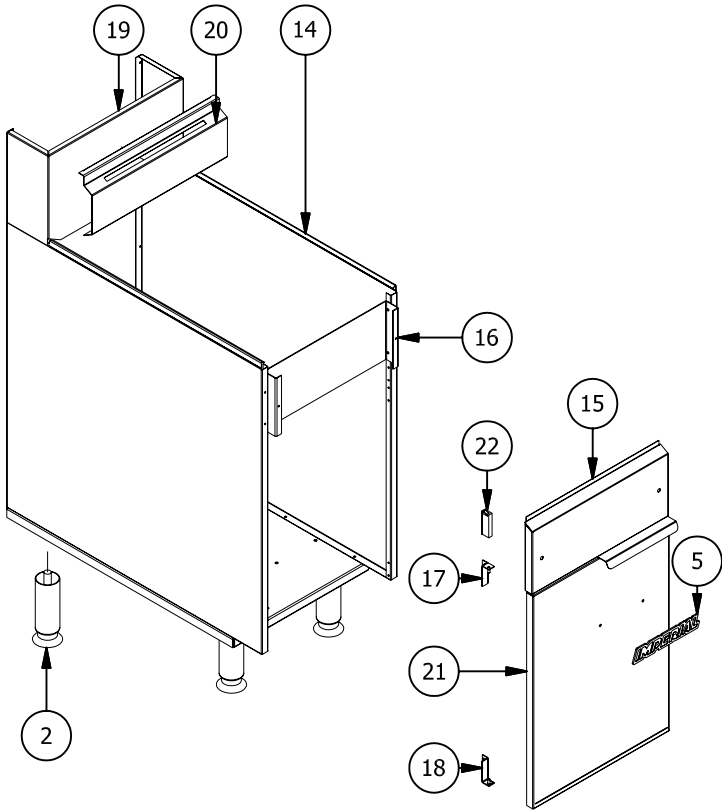
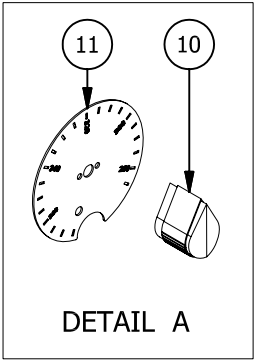
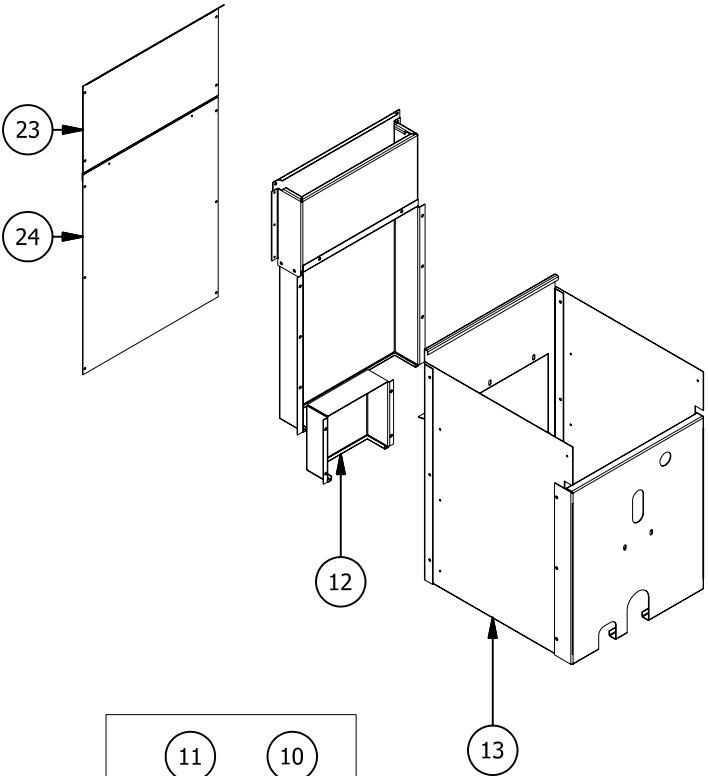
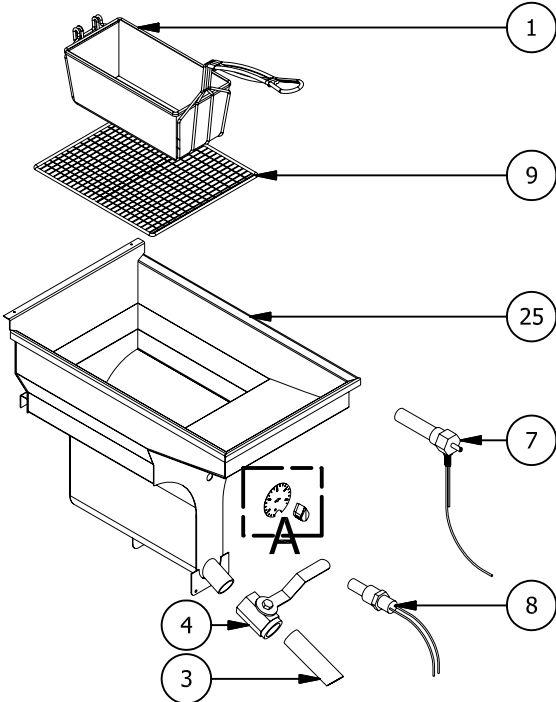
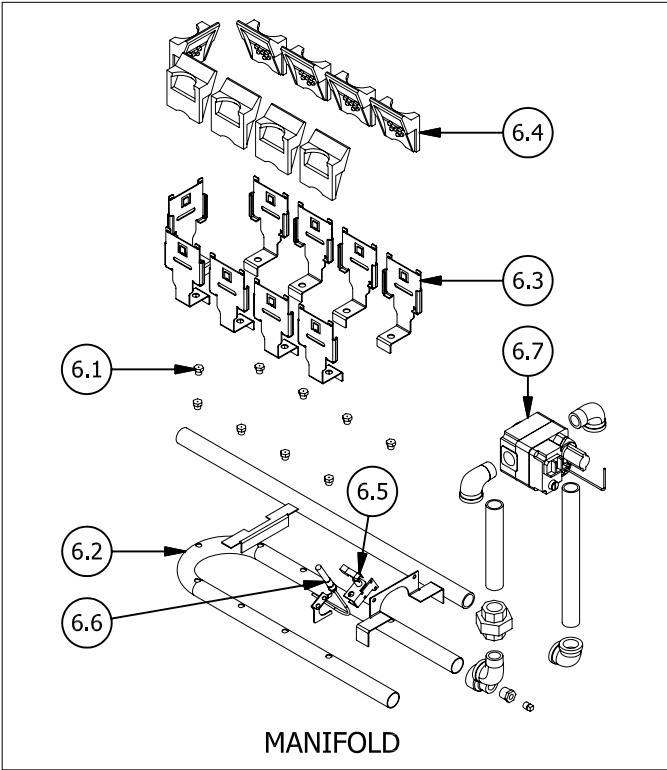


IFS-40/50-OP



IF-40/50-OP Series

ITEM NO	DESCRIPTION	PART #	40-OP	50-OP
1	Full Size Frying Basket 40/50	2036	1	1
	Twin Size Frying Basket 40/50	2035	2	2
2	S/S 6in.5/8 Stud Leg W / Nylon Glide	30555	4	4
2.1	Caster	1060	2	2
	Caster W / Brakes	1061	2	2
3	Drain Extension	30647M	1	1
4	Drain Valve	3077	1	1
5	Imperial Logo	35840	1	1
	Logo Speed Nut	36569	2	2
6	Manifold	See Inset		
6.1	Orifice - NAT. Gas 40lb	36110-51	9	
	Orifice - L.P. Gas 40lb	36110-59	9	
	Orifice - NAT. Gas 50lb	36110-55		18
	Orifice - L.P. Gas 50lb	36110-67		18
6.2	Gas Manifold - 40lb	36111	1	
	Gas Manifold - 50lb	36105		1
6.3	Target Bracket 40lb only	36032	9	18
	S/S Side Target / Bracket 50/75lb	36230		8
	S/S Rear Target / Bracket 50/75lb	36231		1
6.4	Ceramic Target 40lb only	36045	9	
6.5	Pilot Burner - NAT.	0310	1	1
	Pilot Burner - L.P.	32105 & 0310	1	1
	Pilot Bell Orifice NAT. # 21	2031-2	1	1
	Pilot Bell Orifice LP. # 11	32105	1	1
6.6	Thermopile	1096	1	1
6.7	Comb Gas Valve - NAT. Gas	1173-HW	1	1
	Comb Gas Valve - L.P. Gas	1174-HW	1	1
7	Thermoswitch Temp Control	36211	1	1
8	Precision High Temp Prob	36212	1	1
9	Crumb Screen/Fine Mesh (12-1/4" x 13-3/4")	36258	1	1
10	Knob for Fryer Thermoswitch Temp Control	36302	1	1
11	Dial Plate	37078	1	1
12	Upper Flue Assembly - 40lb	28061	1	
	Lower Flue Assembly - 40lb	28064	1	
	Upper Flue Assembly - 50lb	28110		1
	Lower Flue Assembly - 50lb	28111		1
13	Heat Shield and Flue Assy.	Call Factory	***	***
14	R/H Side Panel	28030	1	1
	L/H Side Panel	28031	1	1
15	Front Panel	28034	1	1
16	Front Heat Shield	28035	1	1
17	Upper Door Hanger	28048	1	1
18	Lower Door Hanger	28050	1	1
19	Vessel Back Panel	28056	1	1
20	Basket Hanger	28074	1	1
21	Cabinet Door Assembly	28044	1	1
22	Door Magnet	1830	1	1
23	Upper Structural Back	28069	1	1
24	Lower Structural Back	28070	1	1
25	Vessel Assembly - 40lb	36869	1	
25.1	Vessel Assembly - 50lb	36870		1
***	Vessel Vat Cover W / Handle (23-5/8" x 15-1/2")	28085	1	1
***	Handle	1090	1	1
***	Side Splash - Left Or Right - Square Or Tapered	28032	1 or 2	1 or 2
***	IFS - 40 / 50 Joiner Strip	28210	1 or 2	1 or 2