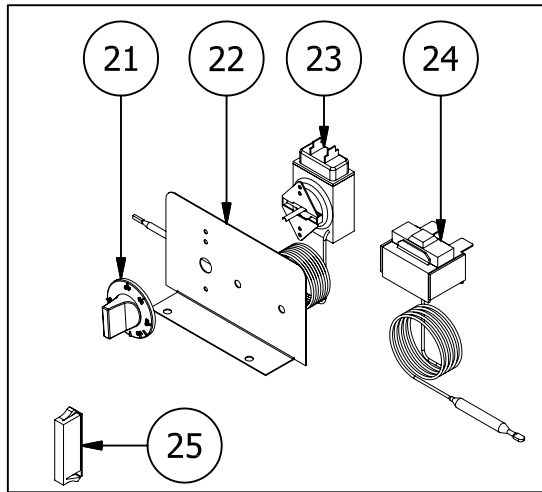
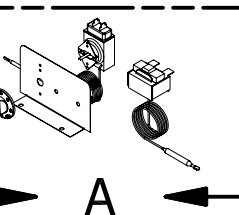
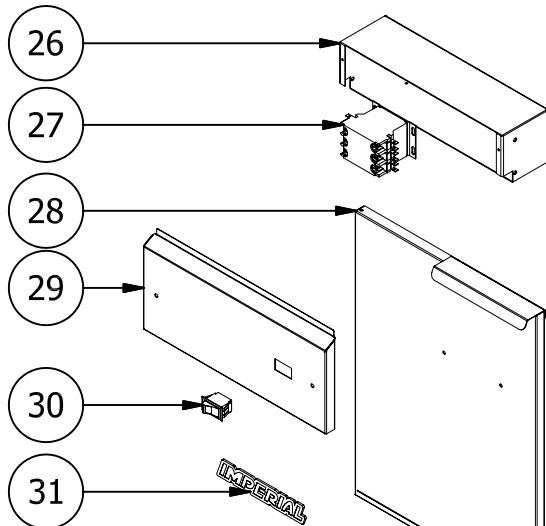
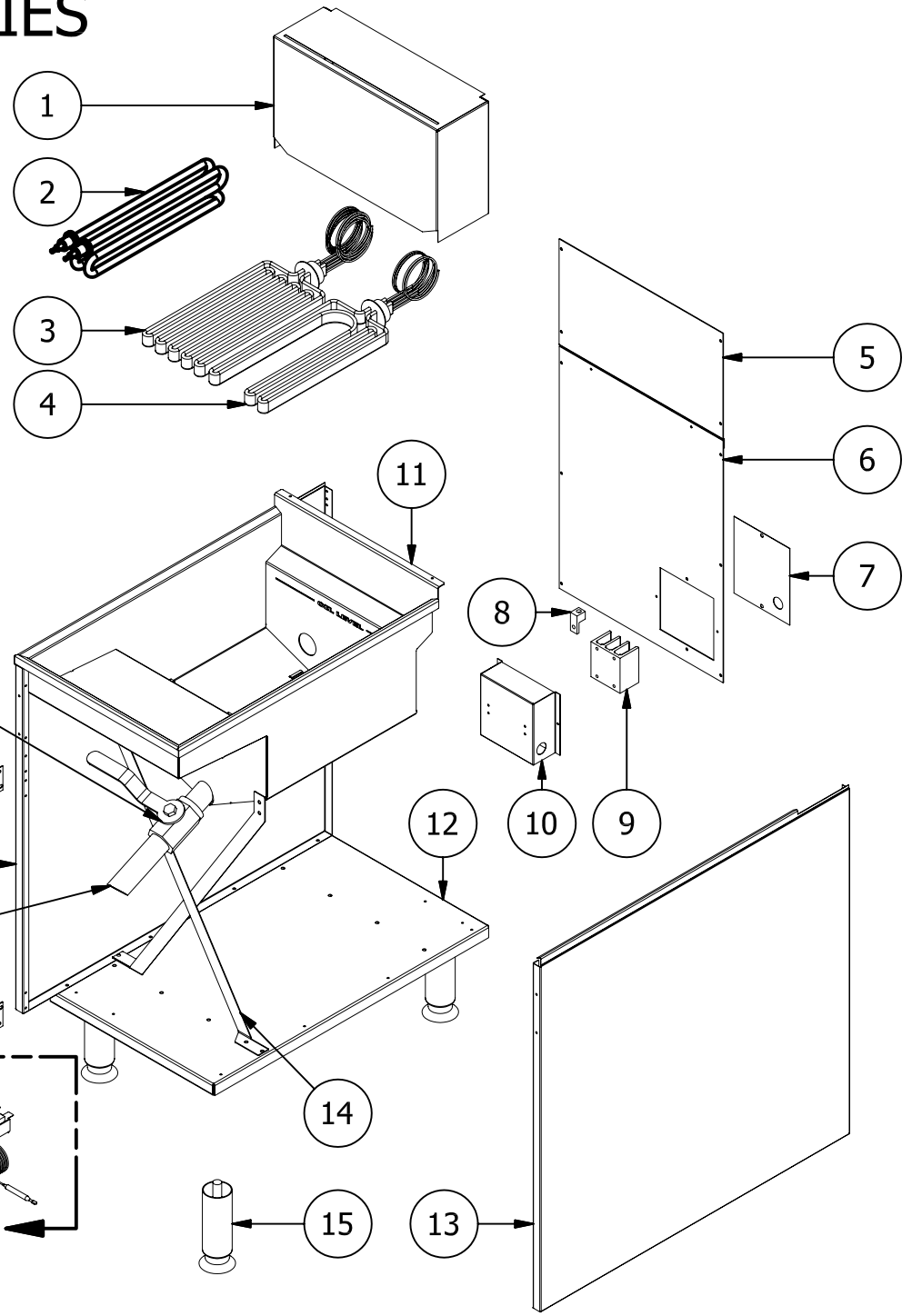


IFS-E SERIES



DETAIL A



A

IFS-E Series - Electric Fryers

ITEM NO	DESCRIPTION	PART #	IFS-40E	IFS-50E	IFS-75E
1	Panel Vessel Rear 40/50	36958	1	1	
	Panel Vessel Rear 75	36984			1
2	IFS-75-E 208V Heating Elements	37343			3
	IFS-75-E 240V Heating Elements	37343-1			3
3	IFS-40/50-E 208V Heating Element #2	37003-208	1	1	
	IFS-40/50-E 240V Heating Element #2	37003-240	1	1	
	IFS-40/50-E 480V Heating Element #2	37003-480	1	1	
4	IFS-40/50-E 208V Heating Element #1	37002-208	1	1	
	IFS-40/50-E 240V Heating Element #1	37002-240	1	1	
	IFS-40/50-E 480V Heating Element #1	37002-480	1	1	
***	Gasket for Electric Fryer Elements	37382-1	4	4	6
5	Upper Back Panel 40/50	32755	1	1	
	Upper Back Panel 75	36985			1
6	Lower Back Panel 40/50	36955	1	1	
	Lower Back Panel 75	36983			1
7	Electrical Box Cover	36957	1	1	1
8	Ground Lug	37090	1	1	1
9	ITGE/IFSE - Terminal Block	37073	1	1	1
10	Electrical Box	36956	1	1	1
11	Vessel Body Assy-IFSE-40	36951	1		
	Vessel Body Assy-IFSE-50	36963		1	
	Vessel Body Assy-IFSE-75	36970			1
12	IFS-40/50 Base Panel	28038	1	1	
	IFS-75 Base Panel	28166			1
13	IFS-40/50 R/H Side Panel	28030	1	1	
	IFS-75 R/H Side Panel	28113			1
14	Body Brkt Holder L/H 40	36953	1		
	Body Brkt Holder R/H 40	36989	1		
	Body Brkt Holder L/H 50	36964		1	
	Body Brkt Holder R/H 50	36965		1	
	Body Brkt Holder L/H 75	36981			1
	Body Brkt Holder R/H 75	36990			1
15	S/S 6in.5/8 Stud Leg W / Nylon Glide (New)	30555	4	4	4
15.1	Caster	1060	4	4	4
	Caster W / Brakes	1061	4	4	4
16	Drain Valve	1623	1	1	1
17	Upper Door Hanger	28048	1	1	1
18	Lower Door Hanger	28050	1	1	1
19	IFS-40/50 L/H Side Panel	28031	1	1	
	IFS-75 L/H Side Panel	28112			1
20	Drain Extension	30647M	1	1	1
21	IFSE Operating T-Stat - Knob Only	37015	1	1	1
22	T-Stat / Hi Limit Bracket	36974	1	1	1
23	IFSE Thermostat	36941	1	1	1
24	IFSE High Limit Switch	36942	1	1	1
25	Door Magnet For Fryer	1830	1	1	1
26	Contacto Box 40/50	36952	1	1	1
	Contacto Box 75	36971	1	1	1
27	Contacto W/ Box Lugs 240V - 50 Amp	35470	1	1	1
28	IFS-40/50 Cabnet Door Assy. L/H	28044	1	1	
	IFS-40/50 Cabnet Door Assy. R/H	34046	1	1	
	IFS-75 Cabnet Door Assy.	28108			1
29	Front Panel 40/50	36954	1	1	
	Front Panel 75	36982			1
30	LTIL Switch	36930	1	1	1
31	Imperial Logo	35840	1	1	1
	Logo Speed Nut	36569	2	2	2