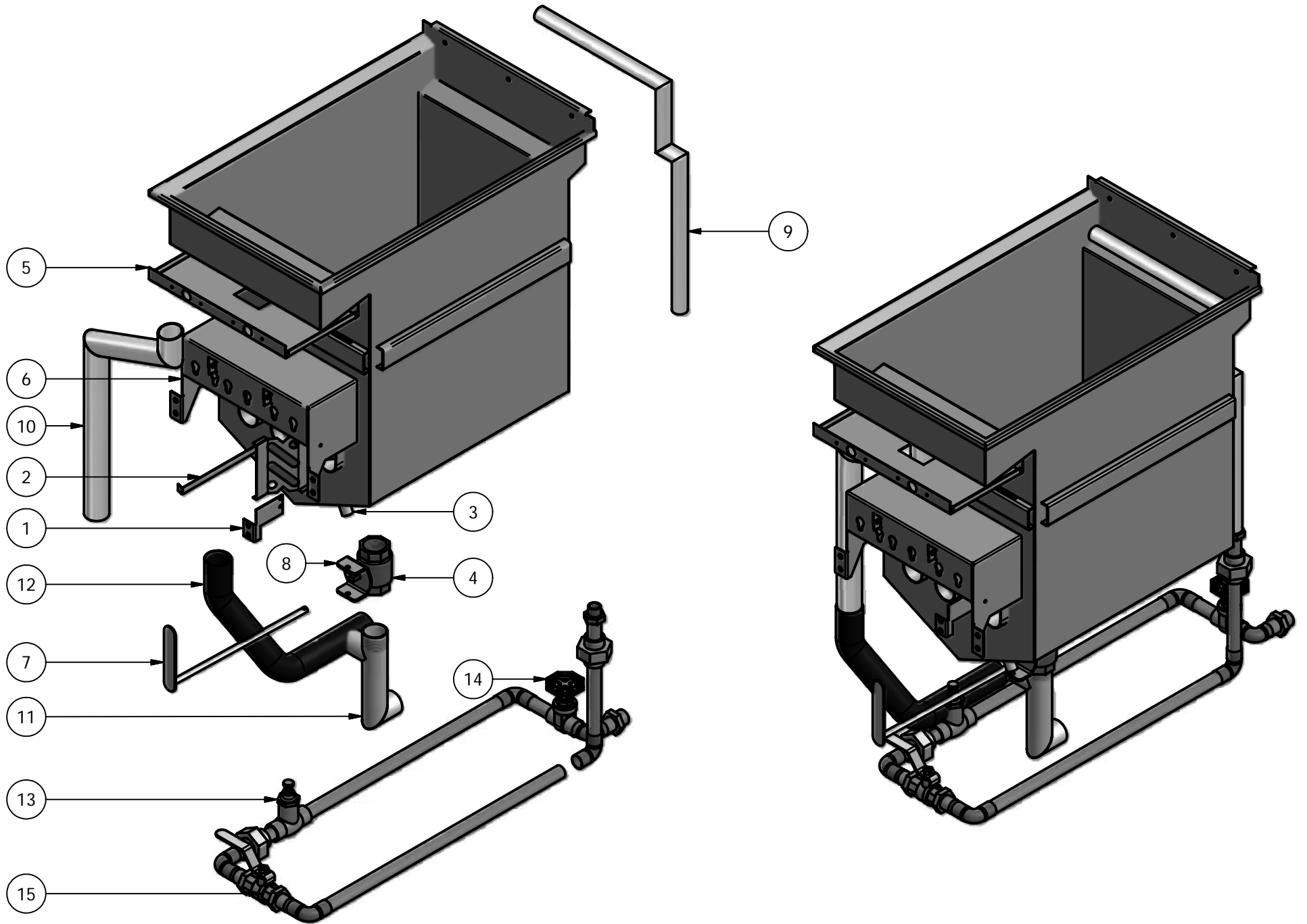


# IPC- VESSEL



## IPC Series Vessel Breakdown

ITEM NO	DESCRIPTION	PART #	14	18
1	Pilot Braket	28150	1	1
2	Diffuser	28160	3	4
3	1/4" S/S Coupler	32124	2	2
4	1-1/4" Water Drain Valve	36244	1	1
5	Tank Front Holder	36760	1	1
6	Burner Support	36782	1	1
7	Drain Handle	36786	1	1
8	Drain Valve Stop	36787	1	1
9	Water Spray Bar	36861	1	1
10	Water Overflow	36862	1	1
11	Drain Manifold	36863	1	1
12	Flexible Drain Tube	36864	1	1
13	Water Pressure Regulator	36242	1	1
14	3/4" Main Water Valve	36243	1	1
15	3/4" On/Off Water Valve	36245	1	1
	Vessel Assembly - S/S 3 Tube	36860	1	
	Vessel Assembly - S/S 4 Tube	36861		1