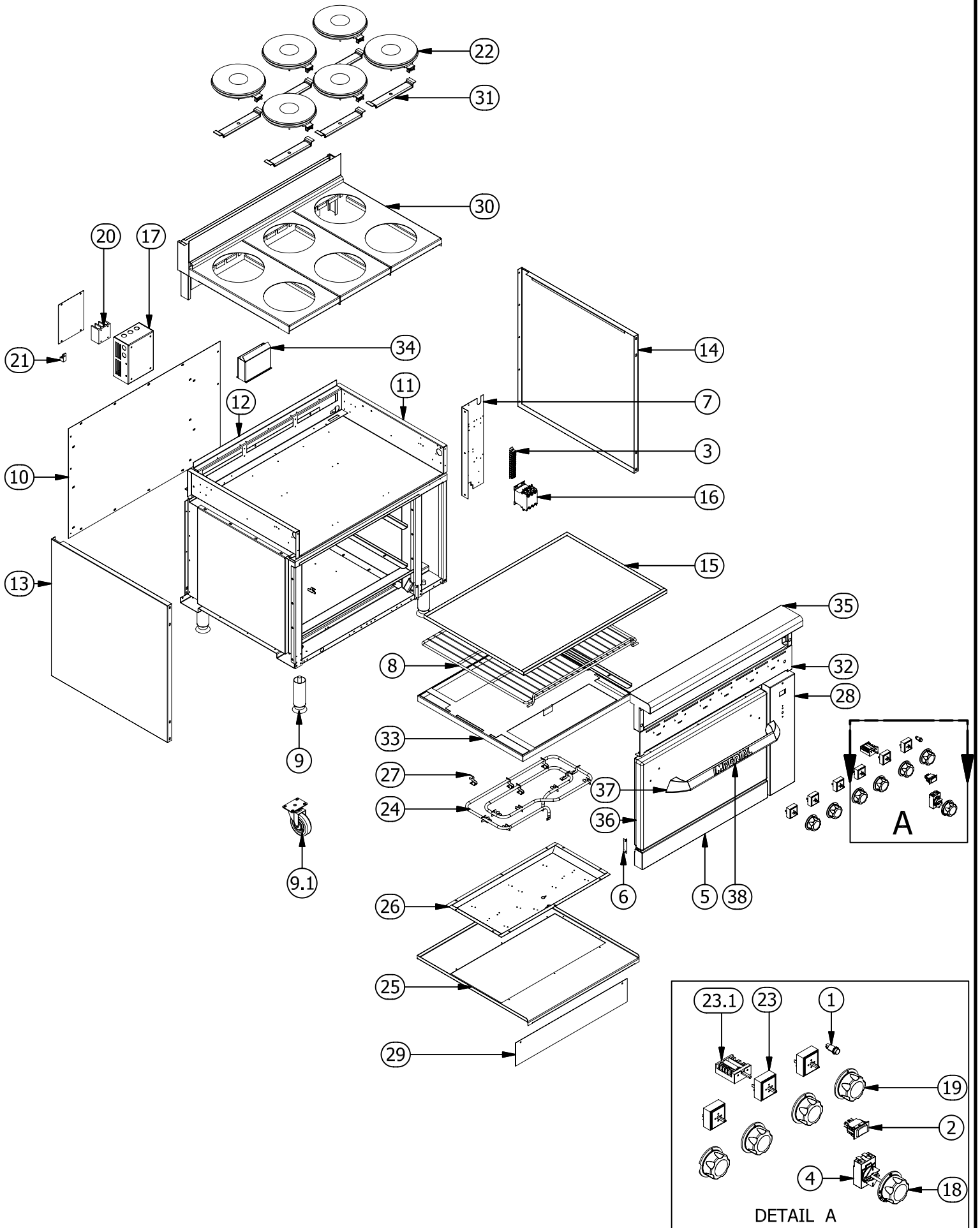


IRE-SERIES



IRE Series Electric Range

ITEM NO	DESCRIPTION	PART #	36"
1	INDICATOR HEAT LIGHT 250V	1124-230	1
2	POWER SWITCH 3 POSITIONS ON/OFF - COOL DOWN	1126	1
3	ICV/TERMINAL BLOCKW/J7140 POS. 1 & 2	1136	1
4	KXT THERMOSTAT CONVECTION OVEN	1160	1
5	36" KICK PLATE	20143	1
6	KICK PLATE BRACKET	20144	2
7	IR-C COMPONENT MOUNTING PLATE R/H	20270	1
8	IR-OVEN RACK 26 3/8 X 25	2130	1
9	S/S LEG 6", 5/8" STUD NYLON GUIDE	30555	4
9.1	CASTER WITH MOUNTING SWIVEL PLATE 6" HEIGHT NOT BRAKE	1060	2
	CASTER WITH MOUNTING SWIVEL PLATE 6" HEIGHT WITH BRAKE	1061	2
10	36" BACK PANEL	31586	1
11	36" BURNER BOX	31603	1
12	36" REAR SUPPORT	31613	1
13	SIDE PANEL L/H	31617	1
14	SIDE PANEL R/H	31618	1
15	IR-36" CRUMB TRAY	34683-2	1
16	CONTACTOR WITH BOX LUGS, ITGE-24-48/IFSE-40/ICV-E-240V - 50 AMP, 3 POLE	35470	1
17	CONTROL MODULE HOUSING	35931	1
18	RESTAURANT ASSEMBLY, CONVECTION OVEN	36329	1
19	CONVECTION OVEN TIMER	36945	6
20	ITGE TERMINAL BLOCK	37073	1
21	ITGE - GROUND LUG	37090	1
22	IR-E 208V HEATING ELEMENT	37491	6
	IHRE-1 220MM 2000W/480V HEATING ELEMENT	37395	6
23	IR-E 208V INFINITE CONTROL	37491-1	6
23.1	IHRE-480V SIX POSITION INFINITE CONTROL.	37669	6
24	IRE-208V HEATING ELEMENT FOR OVEN	37493-208	1
25	IR-E 36" BOTTOM LINER W/HEATER ELEMENT DEEPER	37651	1
26	HEATER ELEMENT HOLDER	37652	1
27	HEATER ELEMENT BRKT.	37653	13
28	CONTROL PANEL R/H.	37654	1
29	FRONT BAFFLE	37655	1
30	TOP ELEMENT HOLDER	37658	3
31	TOP ELEMENT BRKT.	37659	6
32	VALVE COVER	37660	1
33	HEATING ELEMENT OVEN COVER	37661	1
34	IR-24 FLUE BOX ASSEMBLY	31627	1
35	IR-36 LANDING LEDGE ASSY.	31641	1
36	IR-6-DOOR ASSY.	31632	1
37	END CAP L/H	36102	1
	END CAP R/H	36101	1
38	DOOR HANDLE, 26 1/2 OVEN	36100	1