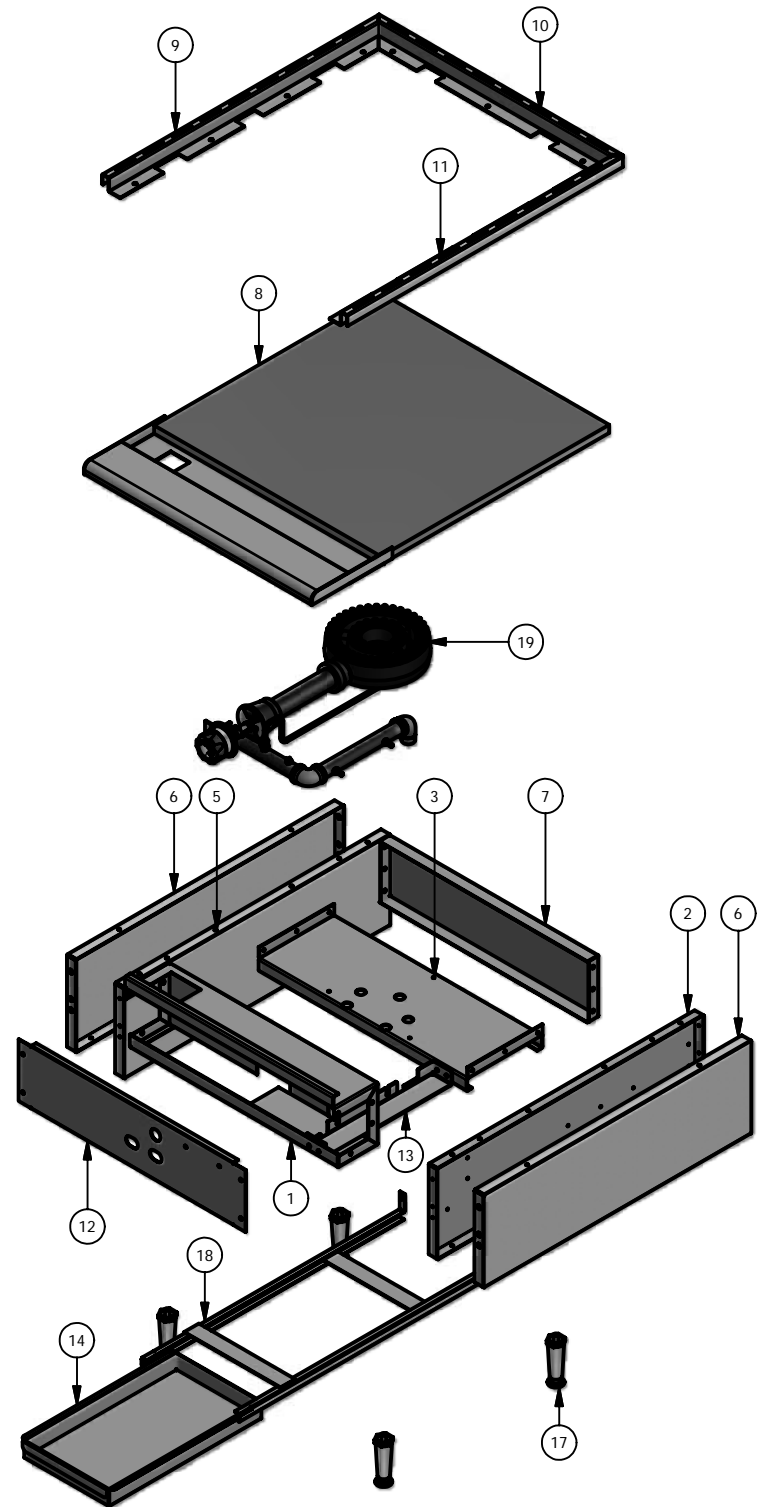
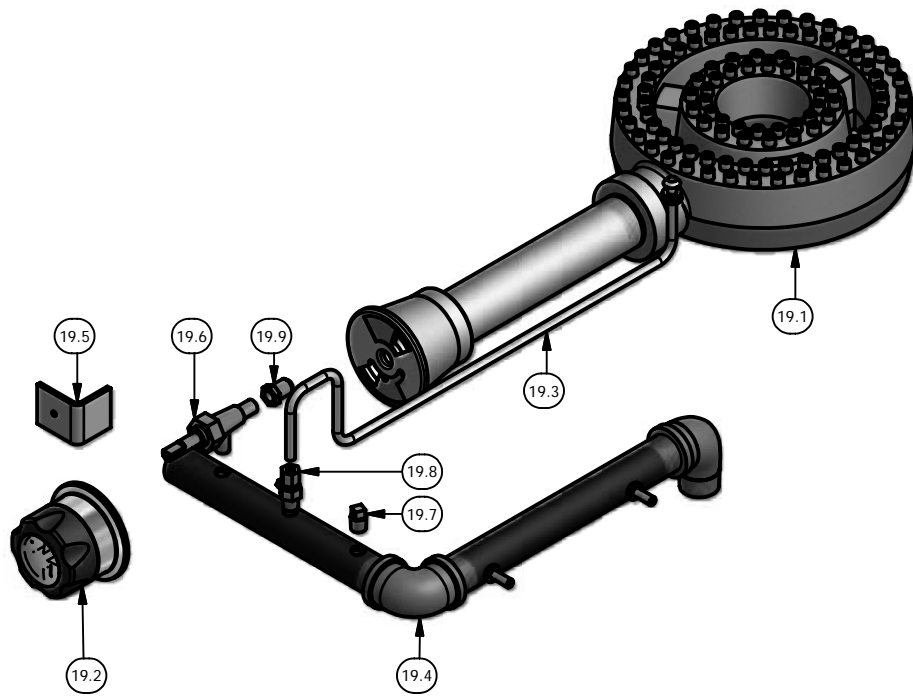


ITY-SERIES



ITY Series - Teppan Yaki Griddle

ITEM NO	DESCRIPTION	PART #	24"	36"	48"	60"
1	24" Front Baffle	32354	1			
	36" Front Baffle	32355		1		
	48" Front Baffle	32356			1	
	60" Front Baffle	32357				1
2	Inner Side Panel R / H	32352	1	1	1	1
3	24" Burner Support	32358	1			
	36" Burner Support	32359		1		
	48" Burner Support	32360			1	
	60" Burner Support	32361				1
5	Inner Side Panel L / H	32351	1	1	1	1
6	Outter Side Panel R / H	32353	1	1	1	1
	Outter Side Panel L / H	32353	1	1	1	1
7	24" Back Panel	32362	1			
	36" Back Panel	32363		1		
	48" Back Panel	32364			1	
	60" Back Panel	32365				1
8	24" Griddle Plate Assembly	35393	1			
	36" Griddle Plate Assembly	Call Factory		1		
	48" Griddle Plate Assembly	35391			1	
	60" Griddle Plate Assembly	35392				1
9	Side Flue Channel L / H	32370	1	1	1	1
10	24" Back Flue Channel	32372	1			
	36" Back Flue Channel	32373		1		
	48" Back Flue Channel	32374			1	
	60" Back Flue Channel	32375				1
11	Side Flue Channel R / H	32371	1	1	1	1
12	24" Valve Cover	32366	1			
	36" Valve Cover	32367		1		
	48" Valve Cover	32368			1	
	60" Valve Cover	32369				1
13	Manifold Bracket Side	32380	1	1	1	1
14	Grease Can	32383	1	1	1	1
17	4" S/S Adjustable Leg 1/2 Stud W /	3901	4	4	4	4
18	Grease Can Guide Assy.	32999	2	2	2	2
19 - 1	Two Ring Burner W / Air Shutter	33489	1	1	1	1
19 - 2	Burner Knob W / Logo (Chrome)	36330	1	1	1	1
19 - 3	20" Pilot Assy.	35714	1	1	1	1
19 - 4	Manifold Assy.	35946	1	1	1	1
19 - 5	Manifold Bracket Front	32384	1	1	1	1
19 - 6	Burner Gas Valve (Brass)	1610	1	1	1	1
19 - 7	Plug 1/8"	30257	1	1	1	1
19 - 8	Single Pilot Adjustment Valve	1607	1	1	1	1
19 - 9	Orifice NAT.	2062	1	1	1	1
	Orifice L.P.	2067	1	1	1	1
***	Pressure Regulator 3/4in. NAT.	1050	1	1	1	1
***	Pressure Regulator 3/4in. L.P.	1051	1	1	1	1