

TC90S TC90B

USER MANUAL FOR THE METRO TC90 SERIES INSULATED TRANSPORT CABINET



InterMetro Industries Corporation
Wilkes-Barre, PA 18705
570-825-2741



TABLE OF CONTENTS

SECTION	PAGE
I. Introduction	
A. Identifying Your Cabinet	1
B. Features	2
II. Operating Instructions	
A. Slide Racks	2
B. Cabinet Start-Up	2
III. Replacement Parts and Procedures	
A. Cabinet	3-6
Door	3-6
B. Control Panel	7-9
IV. Wiring Schematic	10
V. Cleaning Instructions	11
VI. Maintenance	11
VII. Service Notes	15, 16
VIII. Warranty and Warranty Card	12

I. INTRODUCTION

A. IDENTIFYING YOUR CABINET

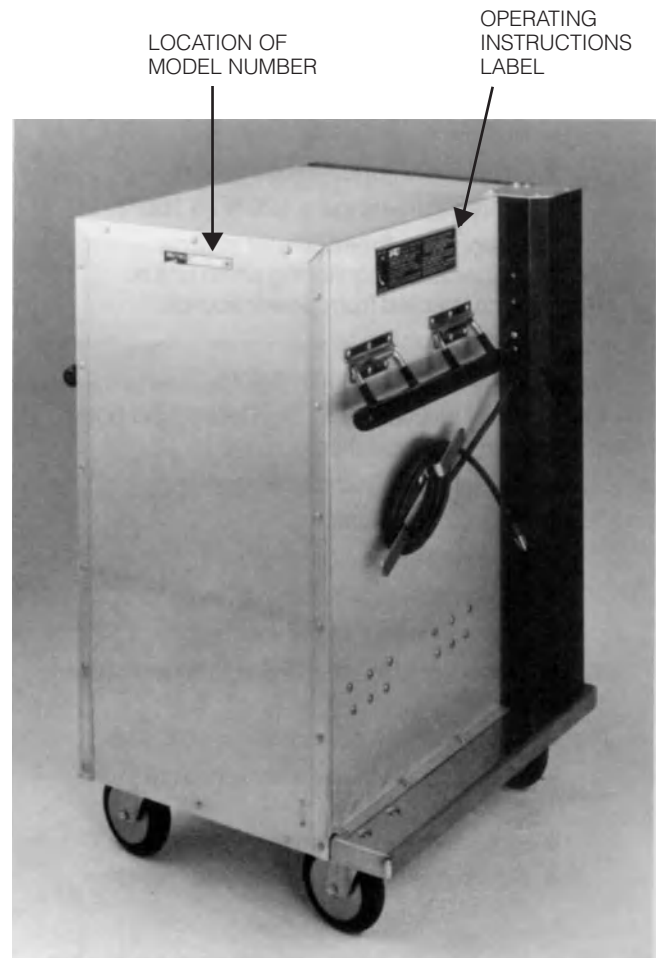
Your cabinet has been shipped to you in one carton. The carton contains the cabinet with the slide racks already in place inside the cabinet.

There are two component numbers you should record for future reference: the cabinet model number and serial number. Refer to the photos at right to locate these numbers. It is recommended that these numbers be recorded in an appropriate place such as the inside of this manual for easy future reference. Also, please record the cabinet model number and serial number on the Warranty Card found on the back of this manual. Be sure to complete the remainder of the Warranty Card and return it to Metro within fifteen (15) days of delivery of the cabinet. Once you have located and recorded these numbers, refer to the sample numbers given below to identify the components of your TC90S or TC90B cabinet.

SAMPLE:

TC90S OR B

Cabinet Series _____ Bun Pans
 _____ Steam Pans



Model No. _____

Serial No. _____

NOTE: Please read this manual thoroughly before using your cabinet. If you should have questions, please contact Metro customer service department.

B. FEATURES — BOTH MODELS

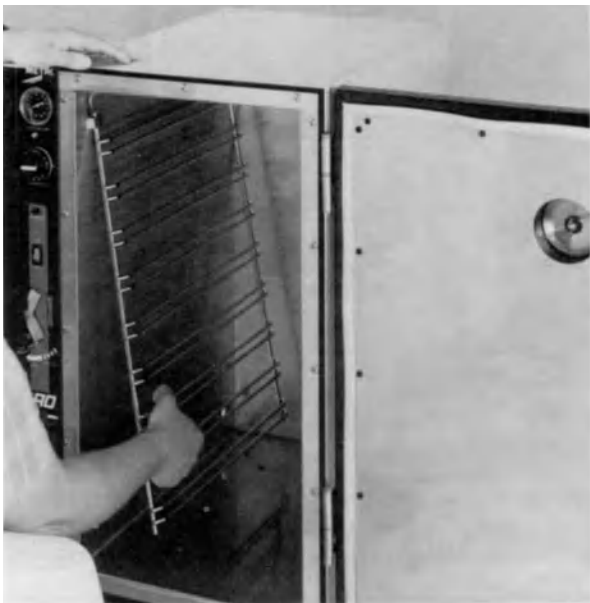
In order to utilize your cabinet to its full potential, take a minute to identify the following features which have been provided for your convenience.

- Cabinet is shipped in one carton.
- Temperature range is 120°F to 180°F.
- Analog type thermometer to allow temperature monitoring when unit is disconnected from power source.
- 15 amp service.
- 3-300 watt heating elements.
- Totally insulated with high temp rigid board fiberglass insulation.
- Kick latch for “hands-off” opening.
- Magnetic door latch.
- Adjustable hinges and strike.
- Removable slide racks.
- Stainless steel internal liner.
- Closed loop thermal break to reduce heat transfer.
- Outside shell brushed aluminum.
- Non-marking 5" neoprene casters (two with brakes).
- Side mounted lift handles.
- Adjustable door mounted vent.

II. OPERATING INSTRUCTIONS

A. SLIDE RACKS

The slide racks provided with your cabinet are nickel chrome-plated to insure years of corrosion-free service. The racks are already in place when the cabinet is shipped to you. They can be removed for cleaning by first lifting up on the rack and then swinging the bottom towards the center of the cabinet.



The slide spacing is $2\frac{5}{8}$ " to accommodate lip loaded pans for TC90S; bottom loaded pans for TC90B. The following pans may be used:
9 pans — 12" x 20" x $2\frac{1}{4}$ " (TC90S)
9 pans — 12" x 20" x $2\frac{5}{8}$ " (TC90S)
9 pans — 18" x 26" x 1" (TC90B)

B. CABINET START-UP

1. A nine-foot, three-wire grounded lead cord is supplied fixed to the cabinet. The cord cannot be separated from the cabinet.

NOTE: Before operating your cabinet be sure to unwrap the lead cord completely from bracket.

CAUTION: With the POWER switch OFF, plug the lead cord into a standard grounded 15-amp, 125-VAC receptacle.

2. Set the thermostat dial to setting 10 = HIGH.
3. Snap the POWER switch to ON. The red POWER light will now glow as will the yellow indicator light indicating that power is on and that the heating elements are activated and heating up.
4. Allow the cabinet to PREHEAT FOR APPROXIMATELY 45 MINUTES. After that time, the thermostat can be lowered to a setting of 6 or 7. In a room of average temperature (72°F), this should provide 150°F to 170°F. Adjustments to the temperature may be made as necessary.

NOTE: The POWER (red) light will glow as soon as the POWER switch is switched ON and will continue to glow until switched OFF. The yellow indicator light will go on and off as the thermostat cycles. If the yellow light is not illuminated, this indicates that the cabinet has achieved the preset TEMPERATURE level, NOT that the unit has been switched OFF.

It is not necessary at the end of the operating day to disrupt the temperature setting in order to turn the unit OFF. By switching the POWER switch to OFF, the unit is no longer operating.

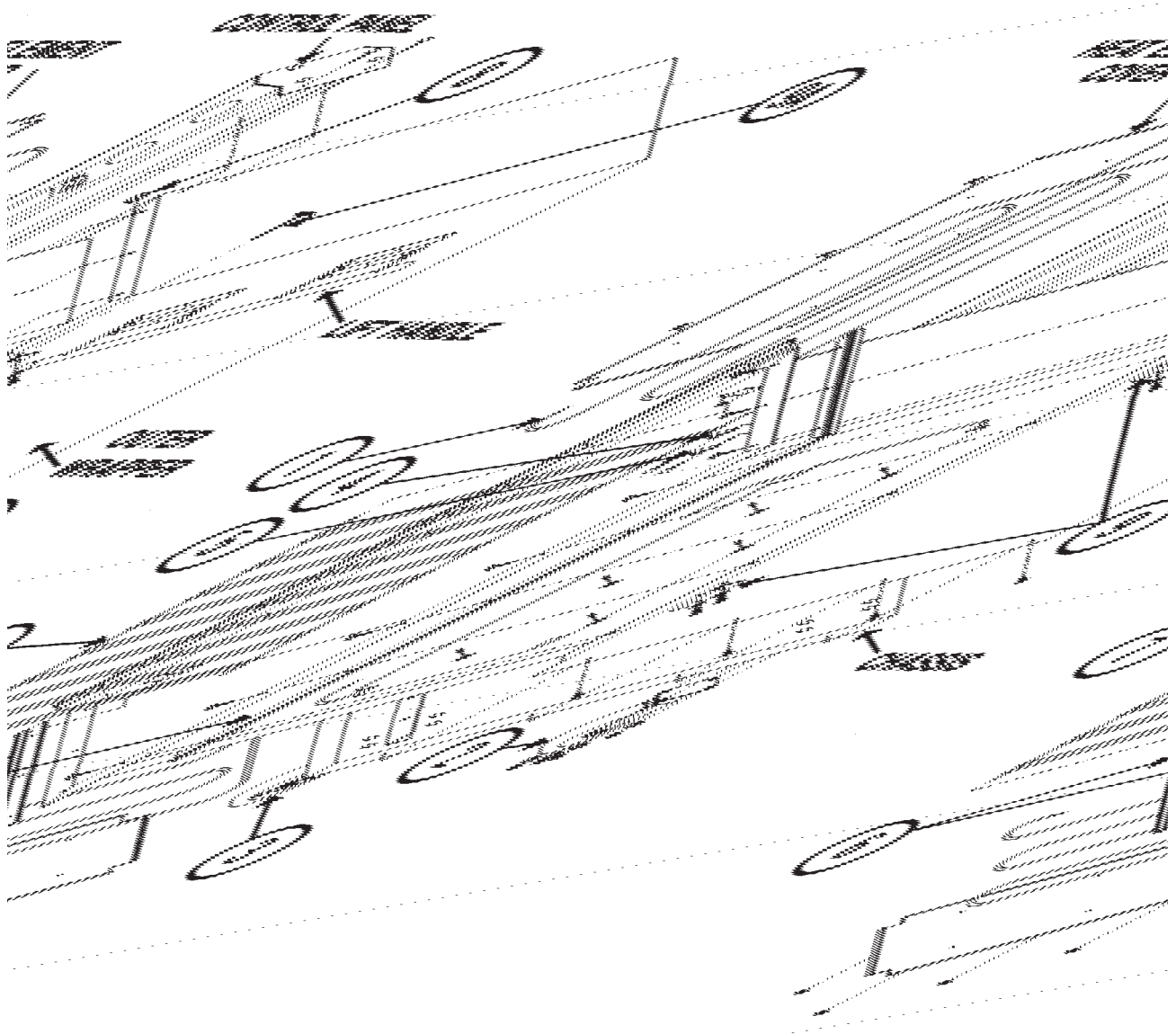
By switching the POWER switch to ON when resuming operations, the cabinet will attain the preset level.

III. REPLACEMENT PARTS AND PROCEDURES

A. CABINET

1. Refer to TC90S/TC90B Series Cabinet Replacement Parts Diagram to identify the part(s) to be replaced.
2. Refer to TC90S/TC90B Cabinet Replacement Procedure Chart on pages 5 and 6 for replacement instructions.

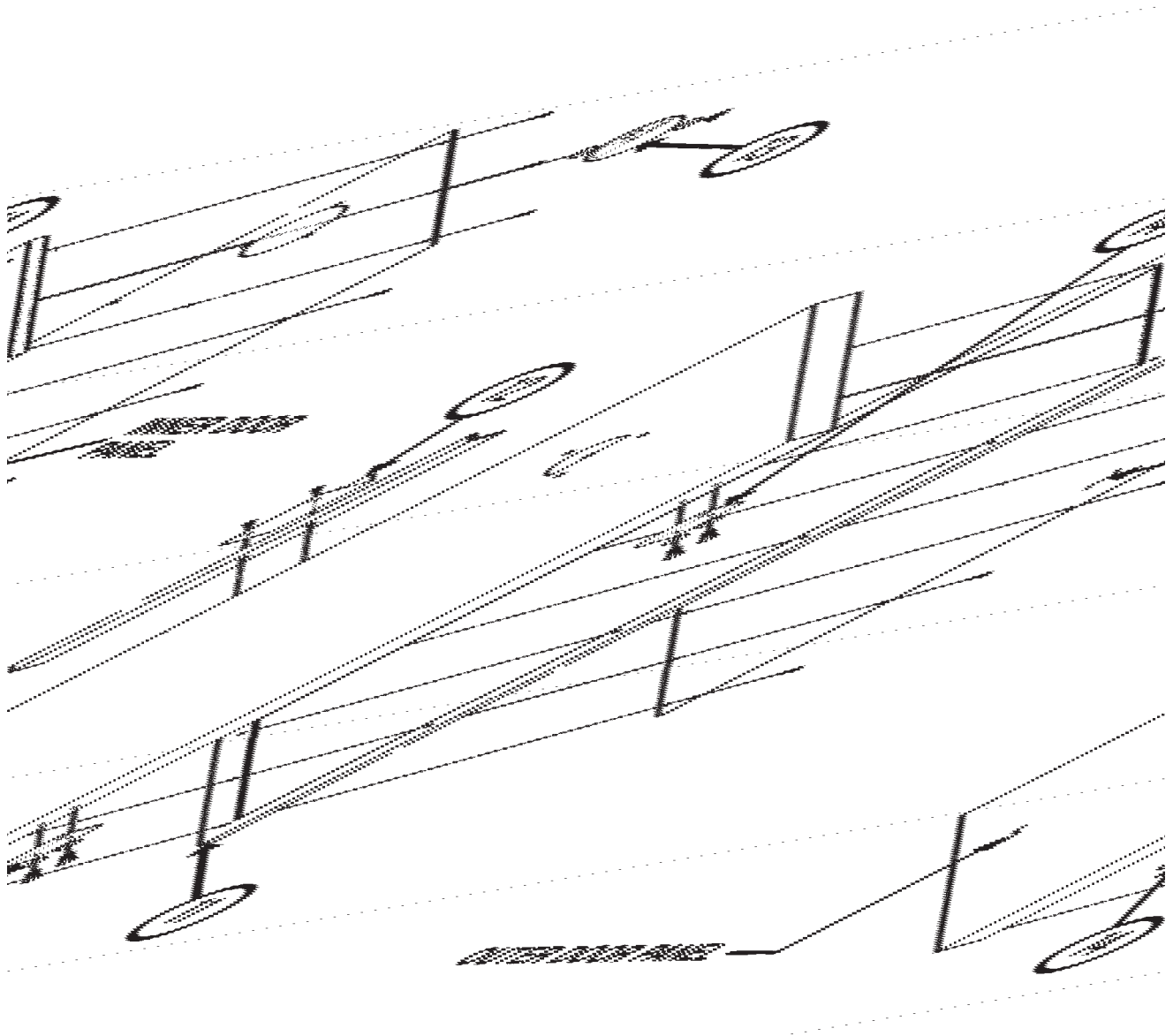
TC90S/TC90B Series Cabinet Replacement Parts Diagram



REPLACEMENT PARTS LIST

- | | | | |
|---------------------------|-------------|--------------------|---------------------|
| 1. Heating Element | #RPC13-112 | 7. Slide Rack | TC90S #RPTC90S-RACK |
| 2. Caster — Without Brake | #B5DN | Slide Rack | TC90B #RPTC90B-RACK |
| 3. Caster — With Brake | #B5DNB | 8. Star Bushing | #RPC06-189 |
| 4. Thermometer Bulb Clamp | #RPC06-222 | 9. Cabinet Hinge | #RPHINGE-4000 |
| 5. Thermostat Bulb Clamp | #RPC06-221 | 9A. Door Hinge Pin | #RPF07-050A |
| 6. Vertical Thermal Break | #RPC06-323 | | |
| Hoz. Thermal Break TC90S | #RPC06-324 | | |
| Hoz. Thermal Break TC90B | #RPC06-324A | | |

TC90S/TC90B Series Cabinet Replacement Parts Diagram



REPLACEMENT PARTS LIST

- | | | |
|----------------------------|-------|---------------|
| 10. Complete Door Assembly | TC90S | #RPCT90S-300G |
| | TC90B | #RPCT90B-300G |
| 11. Door Gasket | TC90S | #RPC06-325 |
| | TC90B | #RPC06-325A |
| 12. Strike Plate | | #RPTC90S-3400 |
| 13. Door Vent Assembly | | #RPC11-206 |
| 14. Door Hinge | | #RPHINGE-4001 |

TC90S/TC90B SERIES CABINET REPLACEMENT PROCEDURE CHART

CAUTION: Before any repair/replacement of parts, be certain to disconnect cord from power source.

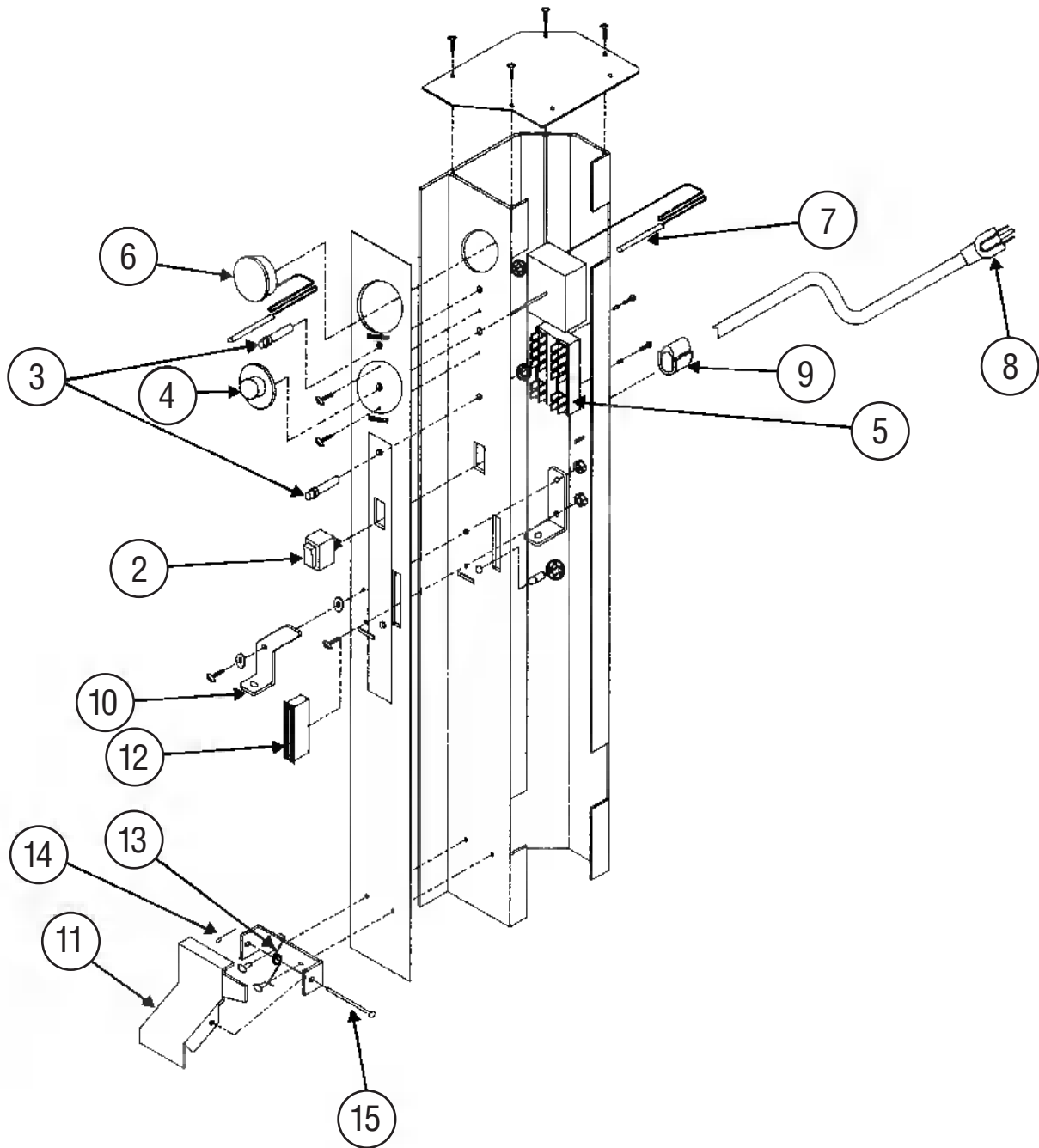
PARTS TO BE REPLACED	REPLACEMENT PROCEDURE
1. Heat Element	<ol style="list-style-type: none"> 1. Remove door and slide racks. (Refer to Complete Door) 2. Remove control panel. (Refer to Complete Control Panel) 3. Remove thermostat and thermometer bulb clamp located on the inside top front surface. Remove bushing and then push both bulbs (long thermostat bulb first) through the hole located on the upper left corner of the cabinet. Be careful not to bend sharply or kink the capillary tubes. 4. Disconnect the RED & WHITE wires from the terminal block of the control panel. (NOTE: Record the location of the wires so as to reconnect correctly.) 5. Remove the outer wrapper fasteners located at the perimeter of the cabinet and retain. NOTE: If replacing one or both of the side elements only, it is not necessary to remove the fasteners at the bottom of the door opening nor the fasteners located at the underside of the rear of the cabinet. Remove them only if the bottom element is to be replaced. 6. Remove the fasteners holding the outer wrapper to the chassis and retain. 7. Carefully lift the outer wrapper vertically off of the chassis being careful to feed the RED & WHITE wires through the bushing in the wrapper. Note that the black thermal break strips located around the perimeter of the cabinet opening are free to fall out of position, should this happen, reposition them when reinstalling the outer wrapper. 8. Before removing the fasteners retaining the element covers, note the position of the RED & WHITE wires of the element. Remove the element cover and damaged element. To replace the element with part number RPC13-112, first tape or wire tie the new element wires to the existing element wires, then tie a wire or string to the banded wire ends and while placing the outer wrapper over the inner liner, slowly draw the wires through the lower starburst bushing located on the outer wrapper side. Be certain not to pinch any wires during assembly of the cabinet. Once the outer shell is in place,

PARTS TO BE REPLACED	REPLACEMENT PROCEDURE
1. Heat Element (continued)	<p>cut the new wire to the same length as the existing wires and then strip the ends of the wires and attach a UL recognized spade terminal or part number RPC13-027 to each end.</p> <ol style="list-style-type: none"> 9. Attach the element wires to the terminal block of the control panel at the prenoted locations and reattach the control panel and door to the cabinet.
2. Caster without Brake	<ol style="list-style-type: none"> 1. Lay cabinet over onto its back and remove mounting hardware. 2. Replace with part number B5DN.
3. Caster with Brake	<ol style="list-style-type: none"> 1. Lay cabinet over onto its back and remove mounting hardware. 2. Replace with part number B5DNB.
4. Thermometer Bulb Clamp	<ol style="list-style-type: none"> 1. Remove clamp and replace with part number RPC06-222.
5. Thermostat Bulb Clamp	<ol style="list-style-type: none"> 1. Remove clamp and spacer and replace with part number RPC06-221 (Clamp), RPC11-129 (Spacer).
6. Thermal Breaks	<ol style="list-style-type: none"> 1. Refer to Heat Element for procedure. Replace with part number RPC06-323 for vertical thermal break. For horizontal thermal break replace with part number RPC06-324 for TC90S RPC06-324A for TC90B.
7. Slide Racks	<ol style="list-style-type: none"> 1. Lift straight up until bottom of rack clears lower bracket and swing bottom out. Drop straight down to clear top brackets. 2. Replace with part number RPTC90S-RACK (TC90S) RPTC90B-RACK (TC90B)
8. Star Bushing	<ol style="list-style-type: none"> 1. Remove thermometer and thermostat bulb clamps and carefully push the bulbs out through the grommet being certain not to bend or kink the capillary tubes. 2. Pry out the bushing and replace with part number RPC06-189.
9. Hinges	<ol style="list-style-type: none"> 1. Remove damaged hinge and replace with part number RPHINGE-4000. See Complete Door for adjustment.
9A. Hinge Pin	<ol style="list-style-type: none"> 1. Replace with part number RPF07-050A.
10. Complete Door	<ol style="list-style-type: none"> 1. Open door and swing open to 180° to clear cabinet hinge pins. Lift door off hinges. 2. Replace with part number RPTC90S-300G (TC90S) RPTC90B-300G (TC90B)

NOTE: Be certain to check door gasket seal is equal all around door before tightening the hinge screws. When door is properly adjusted, it will close properly when simply swung closed. (No hand pressure)

11. Door Gasket	<ol style="list-style-type: none">1. Remove door. (Refer to Complete Door page 5, step 10)2. Lay complete door on flat surface (place cardboard or equivalent down first so as not to scratch or mark door surface). Remove fasteners retaining inner door panel and vent and retain. Lift inner panel off and remove damaged door gasket. Carefully replace gasket with part number RPC06-325 for TSC9OS; RPC06-325A for TSC9OB. Place inner panel over new gasket and fasten. Do not overtighten. See Complete Door for adjustment.
12. Strike Plate	<ol style="list-style-type: none">1. Remove damaged strike plate and replace with part number RPTC9OS-3400.
13. Door Vent Assembly	<ol style="list-style-type: none">1. Remove fasteners retaining vent.2. Remove the wing nut and vent components.3. Replace damaged vent with part number RPC11-206.
14. Hinge	<ol style="list-style-type: none">1. Remove door. (Refer to Complete Door page 5, step 10)2. Remove damaged hinge and replace with part number RPHINGE-4001.3. Replace door.

1. TC90S/TC90B Control Panel Replacement Parts Diagram



REPLACEMENT PARTS LIST

1. Complete Control Panel	#RPTC90-4000	8. Power Cord	#RPC13-108
2. Power Switch	#RPC13-127	9. Strain Relief	#RPC13-110
3. Indicator Lights	Red #RPC13-064	10. Transport Latch	#RPC09-028
	Yellow #RPC13-105	11. Kick Latch	#RPC09-027
4. Thermostat Knob	#RPC06-313	12. Magnetic Door Latch	#RPC14-041
5. Terminal Block	#RPC13-096	13. Kick Latch Spring	#RPC10-013
6. Thermometer	#RPC13-109	14. Cotter Pin	#RPF07-040
7. Thermostat	#RPC13-113	15. Clevis Pin	#RPF05-017

TC90S/TC90B CONTROL PANEL REPLACEMENT PROCEDURE CHART

CAUTION: Before any repair/replacement of parts, be certain to disconnect cord from power source.

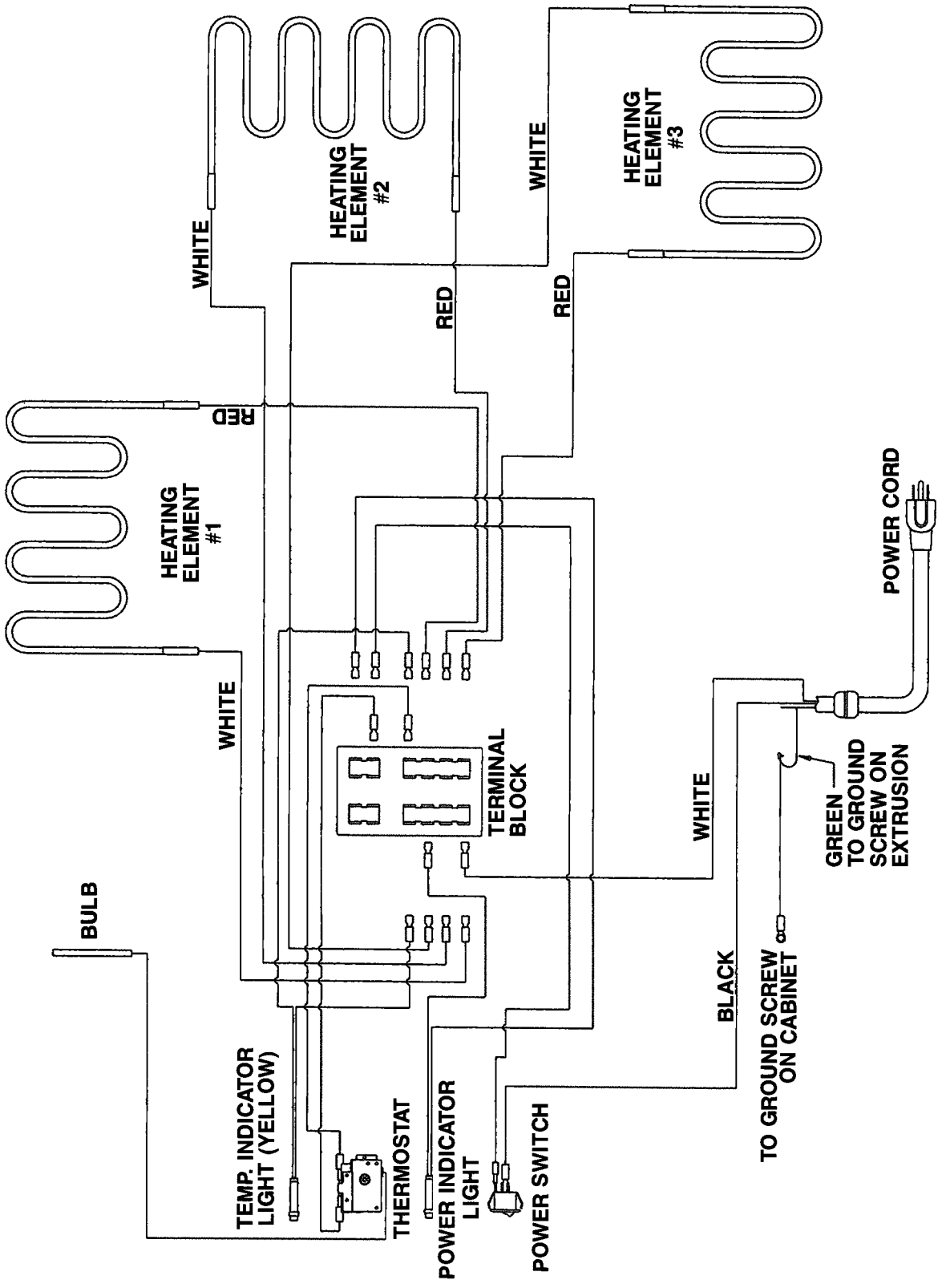
PARTS TO BE REPLACED	REPLACEMENT PROCEDURE
1. Complete Control Panel	<ol style="list-style-type: none"> 1. Open door and remove rack on control panel side. (Refer to Heat Element Replacement page 5, step 7) 2. Place a cardboard sheet down and lay the cabinet on its back. Remove the screws holding the control panel to the chassis. (On underside of chassis) 3. Stand cabinet up and remove the two screws holding the control panel to the cabinet (at the top of the cabinet). 4. Remove the two clamps holding the thermostat and the thermometer to the underside of the cabinet top and retain. Uncoil power cord. 5. Carefully lift the control panel vertically off the outer wrapper brackets. After the initial movement, note the notch in the control panel and the bracket mounted to the cabinet. 6. With the panel clear of the brackets, remove the grommet in the inner wall and push the two bulbs through the hole at the cabinet side wall. (Thermostat bulb first "Longer Bulb".) 7. Note and mark RED & WHITE wire locations and remove the wires from the terminal block. 8. Disconnect the GREEN ground wire from the cabinet. 9. It is not necessary to remove any wires from the new control panel. 10. Replace the complete control panel with part number RPTC90-4000.
2. Power Switch	<p>Refer to Complete Control Panel.</p> <ol style="list-style-type: none"> 1. Note the location of each wire connected to the power switch, marking if necessary. Also note the orientation of the switch body of each terminal. 2. Remove wires from switch. 3. Depress tabs on switch body and push it out through the control panel. 4. Install new switch part number RPC13-127. 5. Reconnect wires to correct terminals.

PARTS TO BE REPLACED	REPLACEMENT PROCEDURE
3. Indicator Lights (Red or Yellow)	<p>Refer to Complete Control Panel.</p> <ol style="list-style-type: none"> 1. Note the location of each wire connected to the pilot lights. Mark them if necessary. 2. Disconnect the pilot wires from the terminal block. 3. Using a small screwdriver, pry loose the retaining clip from the light body. Pull the light and wires through the control panel. 4. Install new spade terminals part number RPC13-027 to the wire ends. 5. Install new pilot light (Red part number RPC13-064, Yellow part number RPC13-105 and retaining clip part number RPF02-042.)
4. Thermostat Knob	<ol style="list-style-type: none"> 1. Pull knob from shaft of thermostat and replace with part number RPC06-313.
5. Terminal Block	<p>Refer to Complete Control Panel.</p> <ol style="list-style-type: none"> 1. Note the location of each wire connected to the terminal block and the terminal block orientation. Mark the wires if necessary. Disconnect all wires from the block. 2. Remove damaged block by removing retaining screws located at rear of control panel and retain. 3. Install new speed nuts part number RPF02-068 into terminal block and replace block with part number RPC13-096.
6. Thermometer	<p>Refer to Complete Control Panel.</p> <ol style="list-style-type: none"> 1. Remove the screw retaining the bulb to the inner liner. 2. With control panel disconnected, remove the grommet on the upper left inside corner of the cabinet. Push the thermostat bulb first, then the thermometer bulb through the hole in the cabinet side and out through the bushing in the outer wrapper. Replace thermometer with part number RPC13-109. Carefully uncoil new tubing and bulb and feed through the bushing in the cabinet side. CAUTION: DO NOT make sharp bends or kinks in the capillary tubing. 3. Seal the hole around the capillary tubing in the inside of the cabinet with a FDA grade silicone sealant or part number M05-028A.* If inner grommet is damaged, replace with part number RPC07-044.

PARTS TO BE REPLACED	REPLACEMENT PROCEDURE
7. Thermostat	<p>Refer to Complete Control Panel.</p> <ol style="list-style-type: none"> 1. Remove the screw retaining the bulb to the inner liner. 2. With control panel disconnected, remove the grommet in the cabinet inner liner and carefully push the thermostat bulb through the hole in the cabinet side. Replace grommet with part number RPC07-044 and thermostat with part number RPC13-113. Attach wires to correct terminals. 3. Carefully uncoil new tubing and bulb and feed through the bushing in the cabinet side. CAUTION: DO NOT make sharp bends or kinks in the capillary tubing. 4. Replace control panel being careful not to pinch the capillary. Also, coil the unused portion of the capillary tube near the top of the control panel BEING CAREFUL TO KEEP THE TUBE CLEAR OF ANY ELECTRICAL TERMINALS. 5. Seal the hole around the capillary tubing in the inside of the cabinet with a FDA grade silicone sealant or part number M05-028A.*
8. Power Cord	<ol style="list-style-type: none"> 1. Uncoil cord and remove complete control panel. Refer to Complete Control Panel. 2. Remove strain relief. 3. Note and record wire locations on terminal block and grounding stud. 4. Remove damaged cord and replace with part number RPC13-108.
9. Strain Relief	<ol style="list-style-type: none"> 1. Using pliers, squeeze the strain relief from the inside and push it out through the mounting hole. Replace with part number RPC13-110. 2. Install new relief onto the cord, squeeze and insert into mounting hole. Be certain that the flats on the relief match the flats on the hole.

PARTS TO BE REPLACED	REPLACEMENT PROCEDURE
10. Travel Latch	<ol style="list-style-type: none"> 1. Remove control panel. See Complete Control Panel page 8. 2. Remove hardware retaining latch and replace with part number RPC09-028.
11. Kick Latch	<ol style="list-style-type: none"> 1. Remove control panel. Refer to Complete Control Panel page 8. 2. Remove cotter pin and clevis pin. Replace kick latch with part number RPC09-027.
12. Magnetic Door Latch	<ol style="list-style-type: none"> 1. Remove control panel. Refer to Complete Control Panel page 8. 2. Remove old latch by pinching the top and bottom of the magnet housing from the inside of the control panel. Push the part out through the front. 3. Replace with part number RPC14-041 by inserting from front of control panel. 4. Replace control panel.
13. Kick Latch Spring	<ol style="list-style-type: none"> 1. Remove cotter pin. 2. Remove clevis pin. 3. Replace spring with part number RPC10-013.
14. Cotter Pin	<ol style="list-style-type: none"> 1. Replace with part number RPF07-066.
15. Clevis Pin	<ol style="list-style-type: none"> 1. Replace with part number RPF05-017.

IV. WIRING SCHEMATICS



V. CLEANING INSTRUCTIONS

ALL MODELS

Your TC90 series cabinet has been listed by the National Sanitation Foundation (NSF) which means that it has been designed and constructed in a way that promotes a sanitary condition, i.e. sanitary materials and easy cleanability. To maintain a sanitary condition and obtain the best cabinet performance, Metro strongly suggests that the cabinet be thoroughly cleaned on an adequate regular basis — daily if necessary.

A. REMOVAL OF INTERIOR COMPONENTS FOR CLEANING

All interior components are removable, without tools, for thorough, unobstructed cleaning.

1. CAUTION

AT NO TIME SHOULD THE CABINET BE WASHED OR FLOODED WITH WATER OR LIQUID SOLUTION. NEVER STEAM CLEAN. SEVERE DAMAGE OR ELECTRICAL HAZARD COULD RESULT.

1. Turn off master switch.
2. Disconnect the unit from its power source.

2. WARNING

ALLOW THE UNIT TO COOL BEFORE CLEANING, AS THE INTERIOR OF THE CABINET MAY BE HOT ENOUGH TO BURN.

3. If necessary, the door may be removed by simply lifting it from its cabinet-mounted hinges. Do not place the door against an object that may scratch the door or damage the gasket.
4. The slide racks may be removed by lifting them from their respective brackets.
5. After cleaning, simply reverse the above steps to reassemble the cabinet.

B. SPECIFIC CLEANING INSTRUCTIONS

1. Do not immerse the cabinet when cleaning. Instead, use a damp cloth and a drying towel. BE SURE TO THOROUGHLY DRY THE UNIT BEFORE RETURNING IT TO USE.

C. GENERAL CLEANING INSTRUCTIONS

1. LIGHT SOIL

If routine (daily) cleaning is practiced, a mild soap and warm water should be sufficient to keep the unit clean.

2. HEAVIER SOIL

If cleaning has been postponed, solvent or emulsion type cleaners that can be applied with bare hands will give excellent results. Such cleaners are available under various brand names and detergent suppliers can recommend materials appropriate for use on natural and epoxy-coated aluminum and stainless steel interior liner.

NOTE: For every cleaning method, best results are always obtained when the cleaner and technique are matched to the soil conditions involved. To ensure using the proper cleaner for natural and epoxy-coated aluminum and stainless steel, contact your detergent representative.

VI. MAINTENANCE

A. CABINET MAINTENANCE—ALL MODELS

Your TC90 series cabinet has been designed to require very little maintenance. With normal use, cleaning is the only form of maintenance that need be done on a regular basis. Keeping the casters free of dirt build-up will go a long way in prolonging their life.

If your cabinet is rolled over rough surfaces or transported over-the-road, the various threaded fasteners, i.e., screws and nuts, should be periodically inspected and tightened if necessary, particularly the transport latch, hinge and caster fasteners.

B. CONTROL PANEL MAINTENANCE

The control panel of your cabinet has also been designed to require very little maintenance. With normal use, cleaning is the only form of maintenance that need be done on a regular basis. No maintenance is required on the electrical components.

Warranty

WARRANTY, EXCLUSION OF WARRANTIES AND LIMITATION OF LIABILITY.

InterMetro Industries Corporation (hereinafter referred to as "Seller") warrants to the original purchaser that all products in its catalog, or custom products, delivered hereunder will be free from defects in workmanship and material. THE FOREGOING WARRANTY IS EXCLUSIVE AND IN LIEU OF ALL OTHER WARRANTIES, EXPRESS, IMPLIED OR STATUTORY, INCLUDING ANY WARRANTY OF MERCHANTABILITY OR FITNESS FOR A PARTICULAR PURPOSE. This Warranty shall be for a period of one (1) year from the date of shipment from Seller's warehouse or factory. If any product delivered hereunder does not meet the Warranty specified above, providing the product has not been altered in any way by anyone other than Seller's factory-authorized representative, and assuming normal and proper use and maintenance, Seller will, at its option, repair or replace any part or material it determines, upon inspection, to be defective; provided however, that a charge for labor will be made except during a period of one (1) year from the date of original shipment from Seller's warehouse or factory. No product, or part thereof, is to be returned to Seller without prior written approval from Seller's factory. All exchanges and replacement shipments will be F.O.B. Seller's factory. Warranties for equipment or articles not manufactured by the Seller are solely the warranties of the manufacturers thereof and they are hereby assigned to the purchaser without recourse to the Seller.

SELLER'S LIABILITY FOR ANY CLAIM OF ANY KIND, WHETHER BASED ON CONTRACT, NEGLIGENCE OR STRICT LIABILITY IN TORT, AND BY WHOMEVER MADE, FOR ANY DIRECT, INDIRECT, INCIDENTAL OR CONSEQUENTIAL LOSS, DAMAGE OR INJURY, RESULTING TO THE PURCHASER OR ANY THIRD PARTIES, arising out of, connected with or resulting from this Agreement, or from the performance or breach thereof, or from the manufacture, sale, delivery, resale, installation, inspection, repair or use of any product covered by or furnished under this Agreement, WHETHER OR NOT CAUSED BY SELLER'S NEGLIGENCE, SHALL IN ALL EVENTS BE EXCLUSIVELY LIMITED TO THE COST OF CORRECTING DEFECTIVE, DAMAGED OR NON-CONFORMING PARTS OR MATERIAL AS HEREIN PROVIDED, and upon the expiration of one (1) year, all such liability shall terminate.

SELLER DOES NOT AUTHORIZE any person to assume for it any obligations or liabilities greater than or different than those set forth in this Warranty. The terms under which any of Seller's products may be resold must be limited in accordance with this Warranty.

THIS AGREEMENT, and all the rights and obligations arising hereunder, shall be construed in accordance with, and be governed by, the law of the Commonwealth of Pennsylvania, U.S.A.

TO INSURE WARRANTY implementation, return the completed registration card within 15 days of cabinets' receipt to: InterMetro Industries Corp., Wilkes-Barre, PA 18705



InterMetro Industries Corporation
Wilkes-Barre, PA 18705

3/03

Thank you for purchasing a Metro Mobile Heated Cabinet. We are certain you will be more than satisfied with its quality and performance. Please fill in the warranty information space below so we may register your warranty. Also, so that we may learn more about our customers and hopefully be of continued service in the future, please take a moment to fill in the customer information space below.

Thank You

CUT ALONG DOTTED LINE

CUSTOMER INFORMATION

1. Which one of the following best describes your establishment?

- a. Full Service Restaurant
- b. Fast Food Restaurant
- c. Hotel/Motel
- d. Hospital/Nursing Home
- e. College/University
- f. School
- g. Employee Feeding
- h. Other _____

WARRANTY INFORMATION:

Cabinet Model No. _____
 Module Serial No. _____
 Slide Rack Model No. _____
 Date Purchased _____
 Customer Name _____
 Address _____

 Phone No. _____

For warranty coverage, this card must be returned to Metro.

FOLD HERE — DO NOT DETACH

2. Please indicate the two product benefits that were of major interest to you.

- a. Accessibility to controls without opening door.
- b. All components within cabinet removable for cleaning.
- c. Better control of conditions in cabinet.
- d. Aesthetic quality (styling).
- g. Other (in addition to above two) _____

3. Main factor that led to your decision to purchase this product?

- a. Product operating and functional features
- b. Overall quality
- c. Price
- d. Availability
- e. Other _____

4. Three sources that led to the purchase of this product — in the order of their impact (1 - being most impact; 3 - being least impact).

- a. Trade Journal Ad
- b. Trade Show
- c. Sales Call
- d. Direct Mail
- e. Previous Purchase
- f. Other _____

CUT ALONG DOTTED LINE



WILKES-BARRE PA 18705-9968

P O BOX A

ATTN: CUSTOMER SERVICE

INTERMETRO INDUSTRIES CORPORATION

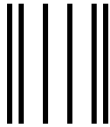
POSTAGE WILL BE PAID BY

FIRST-CLASS/STAINLESS STEEL PERMIT NO. 121 WILKES-BARRE, PA

BUSINESS REPLY MAIL



NO POSTAGE
NECESSARY
IF MAILED
IN THE
UNITED STATES



FOLD HERE — DO NOT DETACH

STAPLE HERE

STAPLE HERE

STAPLE HERE

VII. SERVICE NOTES

VII. SERVICE NOTES



InterMetro Industries Corporation

North Washington Street, Wilkes-Barre, PA 18705

For Product Information Call: 1-800-433-2232

Visit Our Web Site: www.metro.com

L01-144

Rev. G 1/07

Information and specifications are subject to change
without notice. Please confirm at time of order.