

TECHNICAL MANUAL

INSTALLATION MANUAL FOR EXPORT UNITS
SERVICE MANUAL FOR DOMESTIC UNITS

TS-44 SERIES

TS-44
TS-44GP
TS-66
TS-66GP

TSC-44 SERIES

TSC-44
TSC-44GP
TSC-66
TSC-66GP



MANUFACTURERS WARRANTY

ONE YEAR LIMITED PARTS & LABOR WARRANTY

ALL NEW JACKSON DISHWASHERS ARE WARRANTED TO THE ORIGINAL PURCHASER TO BE FREE FROM DEFECTS IN MATERIAL OR WORKMANSHIP, UNDER NORMAL USE AND OPERATION FOR A PERIOD OF (1) ONE YEAR FROM THE DATE OF PURCHASE, BUT IN NO EVENT TO EXCEED (18) EIGHTEEN MONTHS FROM THE DATE OF SHIPMENT FROM THE FACTORY.

Jackson MSC agrees under this warranty to repair or replace , at its discretion, any original part which fails under normal use due to faulty material or workmanship during the warranty period, providing the equipment has been unaltered, and has been properly installed, maintained and operated in accordance with the applicable factory instruction manual furnished with the machine and the failure is reported to the authorized service agency within the warranty period. This includes the use of factory specified genuine replacement parts, purchased directly from a Jackson authorized parts distributor or service agency. Use of generic replacement parts may create a hazard and void warranty certification.

The labor to repair or replace such failed part will be paid by Jackson MSC, within the continental United States, Hawaii and Canada, during the warranty period provided a Jackson MSC authorized service agency, or those having prior authorization from the factory, performs the service. Any repair work by persons other than a Jackson MSC authorized service agency is the sole responsibility of the customer. Labor coverage is limited to regular hourly rates, overtime premiums and emergency service charges will not be paid by Jackson MSC.

Accessory components not installed by the factory carry a (1) one year parts warranty only. Accessory components such as table limit switches, pressure regulators, pre rinse units, etc. that are shipped with the unit and installed at the site are included. Labor to repair or replace these components is not covered by Jackson MSC.

This warranty is void if failure is a direct result from shipping, handling, fire, water, accident, misuse, acts of god, attempted repair by unauthorized persons, improper installation, if serial number has been removed or altered, or if unit is used for purpose other than it was originally intended.

TRAVEL LIMITATIONS

Jackson MSC limits warranty travel time to (2) two hours and mileage to (100) one hundred miles. Jackson MSC will not pay for travel time and mileage that exceeds this, or any fees such as those for air or boat travel without prior authorization.

WARRANTY REGISTRATION CARD

The warranty registration card supplied with the machine must be returned to Jackson MSC within 30 days to validate the warranty.

REPLACEMENT PARTS WARRANTY

Jackson replacement parts are warranted for a period of 90 days from the date of installation or 180 days from the date of shipment from the factory, which ever occurs first.

PRODUCT CHANGES AND UPDATES

Jackson MSC reserves the right to make changes in design and specification of any equipment as engineering or necessity requires.

THIS IS THE ENTIRE AND ONLY WARRANTY OF JACKSON MSC. JACKSON'S LIABILITY ON ANY CLAIM OF ANY KIND, INCLUDING NEGLIGENCE, WITH RESPECT TO THE GOODS OR SERVICES COVERED HEREUNDER, SHALL IN NO CASE EXCEED THE PRICE OF THE GOODS OR SERVICES OR PART THEREOF WHICH GIVES RISE TO THE CLAIM.

THERE ARE NO WARRANTIES, EXPRESSED OR IMPLIED, INCLUDING FOR FITNESS OR MERCHANTABILITY, THAT ARE NOT SET FORTH HEREIN, OR THAT EXTEND BEYOND THE DURATION HEREOF. UNDER NO CIRCUMSTANCES WILL JACKSON MSC BE LIABLE FOR ANY LOSS OR DAMAGE, DIRECT OR CONSEQUENTIAL, OR FOR THE DAMAGES IN THE NATURE OF PENALTIES, ARISING OUT OF THE USE OR INABILITY TO USE ANY OF ITS PRODUCTS.

ITEMS NOT COVERED

This warranty does not cover cleaning or deliming of the unit or any component such as, but not limited to, wash arms, rinse arms or strainers at anytime. Nor does it cover adjustments such as, but not limited to timer cams, thermostats or doors, beyond 30 days from the date of installation. In addition, the warranty will only cover the replacement of wear items such as curtains, drain balls, door guides or gaskets during the first 30 days after installation. Also, not covered are conditions caused by the use of incorrect (non-Commercial) grade detergents, incorrect water temperature or pressure, or hard water conditions.



**CALL 1-888-800-5672 TO REGISTER THIS PRODUCT!
FAILURE TO DO SO WILL VOID THE WARRANTY!**

**LLAME AL 1-888-800-5672 PARA REGISTRAR ESTE PRODUCTO!
AL NO HACERLO LA GARANTIA SERA ANULADA!**

**S.V.P. APPELER 1-888-800-5672 POUR ENREGISTRER CE PRODUIT,
LA GARANTIE SERA ANNULEE POUR TOUT PRODUIT NON- ENREGISTREE**



TS-44GP

TS = Traditional Series of rack conveyors
TSC = Traditional Series (water conserver) of rack conveyors

44 = 44" wide machine
66 = 66" wide machine

No suffix = Electrically heated, hot water sanitizing machine
GP = Gas heated, hot water sanitizing machine

Model: _____

Serial No.: _____

Installation Date: _____

Service Rep. Name: _____

Phone No.: _____

Jackson MSC LLC. provides technical support for all of the dishmachines detailed in this manual. We strongly recommend that you refer to this manual before making a call to our technical support staff. Please have this manual with you when you call so that our staff can refer you, if necessary, to the proper page. Technical support is available from 8:00 a.m. to 5:00 p.m. (EST), Monday through Friday. Technical support is not available on holidays. Contact technical support toll free at 1-888-800-5672. Please remember that technical support is available for service personnel only.

TABLE OF CONTENTS

<u>SECTION</u>	<u>DESCRIPTION</u>	<u>PAGE</u>
I.	SPECIFICATION INFORMATION	
	Operating Characteristics	2
	Electrical Requirements TS-44/TSC-44	3
	Electrical Requirements TS-66/TSC-66	3
	TS-44/TSC-44 Dimensions	4
	TS-66/TSC-66 Dimensions (Left to Right)	7
	TS-66/TSC-66 Dimensions (Right to Left)	9
	Dishable Dimensions TS-44/TSC-44 & TS-66/TSC-66	11
	Side Loader (Left to Right) Dimensions	12
	Side Loader (Right to Left) Dimensions	13
	Side Loader (Installed) Dimensions	14
	Scrap Trough Dimensions	15
	Typical Electric Booster Dimensions	16
II.	INSTALLATION & OPERATION INSTRUCTIONS	
	Installation Instructions	18
	Delimiting Operations	21
	Curtain Installation Diagrams	22
	Side Loader Installation & Operation Instructions	23
	Dishmachine Operating Instructions	24
	Detergent Control	25
	Striker Plate Limit Switch Installation Instructions	26
III.	PREVENTATIVE MAINTENANCE	28
IV.	TROUBLESHOOTING	30
V.	PARTS SECTION	
	TS/TSC-44 Control Box Assembly	33
	TS/TSC-66 Control Box Assembly	36
	TS/TSC-44 Door & Hood Assembly	38
	TS/TSC-66 Door & Hood Assembly	40
	Heater Box Assembly	41
	Gas Coil Assembly	45
	Rinse Booster Tank Assembly	46
	Recirculating Pump Assembly	47
	Hose Connections	48
	Prewash Incoming Plumbing Assembly	49
	Incoming Rinse Plumbing Assembly	50
	Incoming Rinse Plumbing Assembly (Gas Models)	52
	1/2" Rinse Solenoid Valve & 1/2" Vacuum Breaker Repair Parts Kits	53
	Frame Weldments/Dress Panels	54
	TS/TSC-44 Drain Plumbing Assembly	55
	TS/TSC-66 (Left to Right) Drain Plumbing Assembly	56
	TS/TSC-66 (Right to Left) Drain Plumbing Assembly	57
	TS/TSC-66 (Right to Left with Side Loader) Drain Plumbing Assembly	58
	Drain Quench	59
	Motor Assemblies	60
	Pump Weldments	61
	Prewash Arm/Manifold Assembly	62
	Wash Arm/Manifold Assembly	63
	Final Rinse Assembly	64
	Pawl Bar Roller Bracket Kit	65

TABLE OF CONTENTS

Pawl Bar Assemblies	66
TS/TSC-44 Rack Rail Assembly	67
TS/TSC-66 Rack Rail Assemblies	68
Drive Assembly	69
Float Switch Components/Scrap Basket Assembly	72
Miscellaneous Parts & Weldments	73
Strainers	74
Curtains/Tub Magnets	75
Exhaust Fan Control Option/Table Limit Switches	76
Side Loader Section:	
Loader Track Assemblies	77
Pawl Bar Assemblies	78
Pawl Bar Roller Bracket Assembly	79
Vent Cowl Option	80
Rinse Fill Option	81
VI. ELECTRICAL SCHEMATICS	
TS-44/TSC-44	
208-230 Volts, 60 Hz, 1 Phase	83
208-230 Volts, 60 Hz, 3 Phase	84
460-600 Volts, 60 Hz, 3 Phase	85
460 Volts, 60 Hz, 3 Phase Dual Connection	86
TS-44GP/TSC-44	
208-230 Volts, 60 Hz, 1 Phase	87
208-230 Volts, 60 Hz, 3 Phase	88
460 Volts, 60 Hz, 3 Phase	89
TS-66/TSC-66	
208-230 Volts, 60 Hz, 1 Phase	90
208-230 Volts, 60 Hz, 3 Phase	91
460 Volts, 60 Hz, 3 Phase	92
TS-66GP/TSC-66GP	
208-230 Volts, 60 Hz, 1 Phase	93
208-230 Volts, 60 Hz, 3 Phase	94
460-600 Volts, 60 Hz, 3 Phase	95
Conveyor Side Loader & Exhaust Fan Hook-Up Schematic	96
VII. TROUBLESHOOTING	97

SECTION 1: SPECIFICATION INFORMATION

SECTION 1: SPECIFICATION INFORMATION

OPERATING CHARACTERISTICS

RACKS PER HOUR:

TS-44/TS-44GP	252
TSC-44/TS-44GP	119
TS-66/TS-66GP	252
TSC-66/TSC-66GP	119

DISHES OR GLASSES PER HOUR:

TS-44/TS-44GP	6300
TSC-44/TS-44GP	2975
TS-66/TS-66GP	6300
TSC-66/TSC-66GP	2975

PREWASH TANK CAPACITY (GALLONS):

TS-66/TS-66GP	17.25
TSC-66/TSC-66GP	17.25

WASH TANK CAPACITY (GALLONS):

TS-44/TS-44GP	20.4
TSC-44/TS-44GP	20.4
TS-66/TS-66GP	20.4
TSC-66/TSC-66GP	20.4

WASH PUMP CAPACITY

GALLONS PER MINUTE (ALL MODELS):	270
----------------------------------	-----

VENTING REQUIREMENTS (CFM)(100% CAP.):

INPUT END	200
OUTPUT END	400
TOTAL	600

CONVEYOR SPEED (FPM):

TS-44/TS-44GP	7.0
TSC-44/TS-44GP	3.33
TS-66/TS-66GP	7.0
TSC-66/TSC-66GP	3.33

GALLONS PER RACK:

TS-44/TS-44GP	0.74
TSC-44/TS-44GP	0.55
TS-66/TS-66GP	0.74
TSC-66/TSC-66GP	0.55

WATER TEMPERATURES:

TS-44/TS-44GP	
WASH (MINIMUM)	160°F
RINSE (MINIMUM)	180°F

TSC-44/TSC-44GP	
WASH (MINIMUM)	160°F
RINSE (MINIMUM)	180°F

TS-66/TS-66GP	
PREWASH (RECOMMENDED)	110-140°F
WASH (MINIMUM)	160°F
RINSE (MINIMUM)	180°F

TSC-66/TSC-66GP	
PREWASH (RECOMMENDED)	110-140°F
WASH (MINIMUM)	160°F
RINSE (MINIMUM)	180°F

FLOW PRESSURE (PSI)	20 ± 5
----------------------------	--------

FLOWRATE (GPM) TS SERIES	3.1
FLOWRATE (GPM) TSC SERIES	1.1

GAS SPECIFICATIONS:

Please refer to your gas booster manufacturer's instructions.

MOTOR ELECTRICAL CHARACTERISTICS:

DRIVE MOTOR HP	1/4
WASH MOTOR HP	2
POWER RINSE MOTOR HP	2
PREWASH MOTOR HP:	
TS-66/TS-66GP	1
TSC-66/TSC-66GP	1

SECTION 1: SPECIFICATION INFORMATION

ELECTRICAL REQUIREMENTS

NOTE: Typical Electrical Circuit is based upon (1) 125% of the full amperage load of the machine and (2) typical fixed-trip circuit breaker sizes as listed in the NEC 2002 Edition. Local codes may require more stringent protection than what is displayed here. Always verify with your electrical service contractor that your circuit protection is adequate and meets all applicable national and local codes. These numbers are provided in this manual simply for reference and may change without notice at any given time.

TS-44/TSC-44:

<u>VOLTS</u>	<u>PH</u>	<u>HZ</u>	<u>RINSE HEATER RATING</u>	<u>TOTAL AMPS</u>	<u>TYPICAL ELECTRICAL CIRCUIT</u>
208	1	60	N/A	83 Amps	110 Amp
230	1	60	N/A	76 Amps	100 Amp
208	3	60	N/A	49 Amps	70 Amp
230	3	60	N/A	45 Amps	60 Amp
460	3	60	N/A	23 Amps	30 Amp
600	3	60	N/A	19 Amps	25 Amp

TS-44GP/TSC-44GP:

<u>VOLTS</u>	<u>PH</u>	<u>HZ</u>	<u>RINSE HEATER RATING</u>	<u>TOTAL AMPS</u>	<u>TYPICAL ELECTRICAL CIRCUIT</u>
208	1	60	N/A	12 Amps	15 Amp
230	1	60	N/A	12 Amps	15 Amp
208	3	60	N/A	8 Amps	15 Amp
230	3	60	N/A	8 Amps	15 Amp
460	3	60	N/A	5 Amps	15 Amp

TS-66/TSC-66:

<u>VOLTS</u>	<u>PH</u>	<u>HZ</u>	<u>RINSE HEATER RATING</u>	<u>TOTAL AMPS</u>	<u>TYPICAL ELECTRICAL CIRCUIT</u>
208	1	60	N/A	89 Amps	125 Amp
230	1	60	N/A	82 Amps	110 Amp
208	3	60	N/A	52 Amps	70 Amp
230	3	60	N/A	48 Amps	60 Amp
460	3	60	N/A	24 Amps	30 Amp
600	3	60	N/A	22 Amps	30 Amp

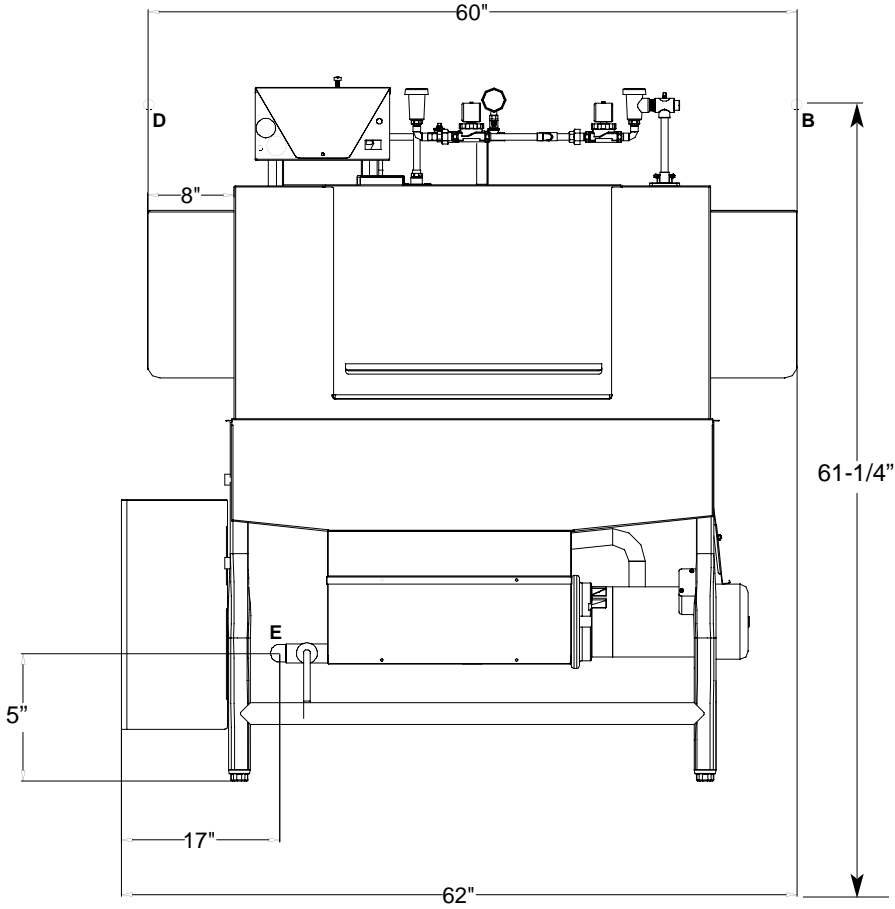
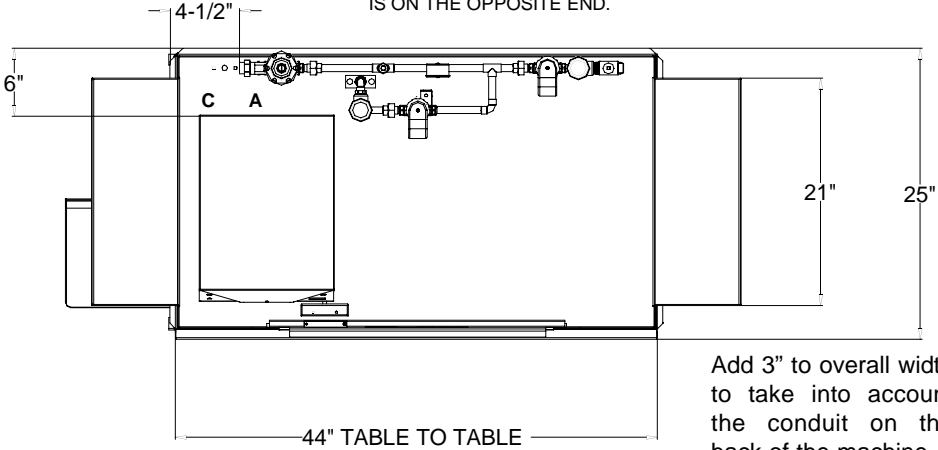
TS-66GP/TSC-66GP:

<u>VOLTS</u>	<u>PH</u>	<u>HZ</u>	<u>RINSE HEATER RATING</u>	<u>TOTAL AMPS</u>	<u>TYPICAL ELECTRICAL CIRCUIT</u>
208	1	60	N/A	18 Amps	25 Amp
230	1	60	N/A	18 Amps	25 Amp
208	3	60	N/A	12 Amps	15 Amp
230	3	60	N/A	12 Amps	15 Amp
460	3	60	N/A	7 Amps	15 Amp

SECTION 1: SPECIFICATION INFORMATION

TS-44/TSC-44 DIMENSIONS

LEFT TO RIGHT MODEL SHOWN.
ON RIGHT TO LEFT MODELS, THE
INCOMING WATER CONNECTION
IS ON THE OPPOSITE END.



SECTION 1: SPECIFICATION INFORMATION

TS-44/TSC-44 DIMENSIONS (CONTINUED)

LEGEND FOR TS-44/TSC-44/TS-44GP/TSC-44GP DIMENSIONS:

A = 1/2" IPS incoming water connection, approximately 59-1/2" above the finished floor. Electric heat models only.

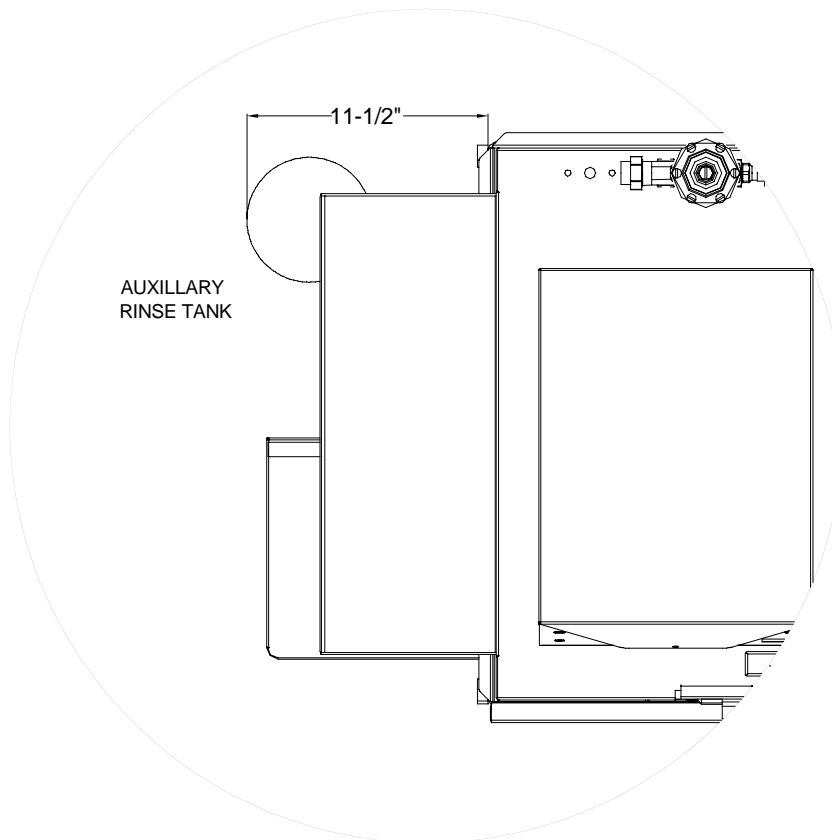
B = 1/2" IPS incoming water connection, approximately 59-1/2" above the finished floor. Gas heat models only.

C = Incoming electrical connection point, approximately 59-1/2" above the finished floor. Refer to machine data plate for electrical requirements.

D = 1/2" IPS incoming water connection, approximately 59-1/2" above the finished floor. Gas heat models only, left to right configuration.

E = 1-1/2" IPS drain point connection. If grease trap is required by code, size for 30 gallons per minute flowrate.

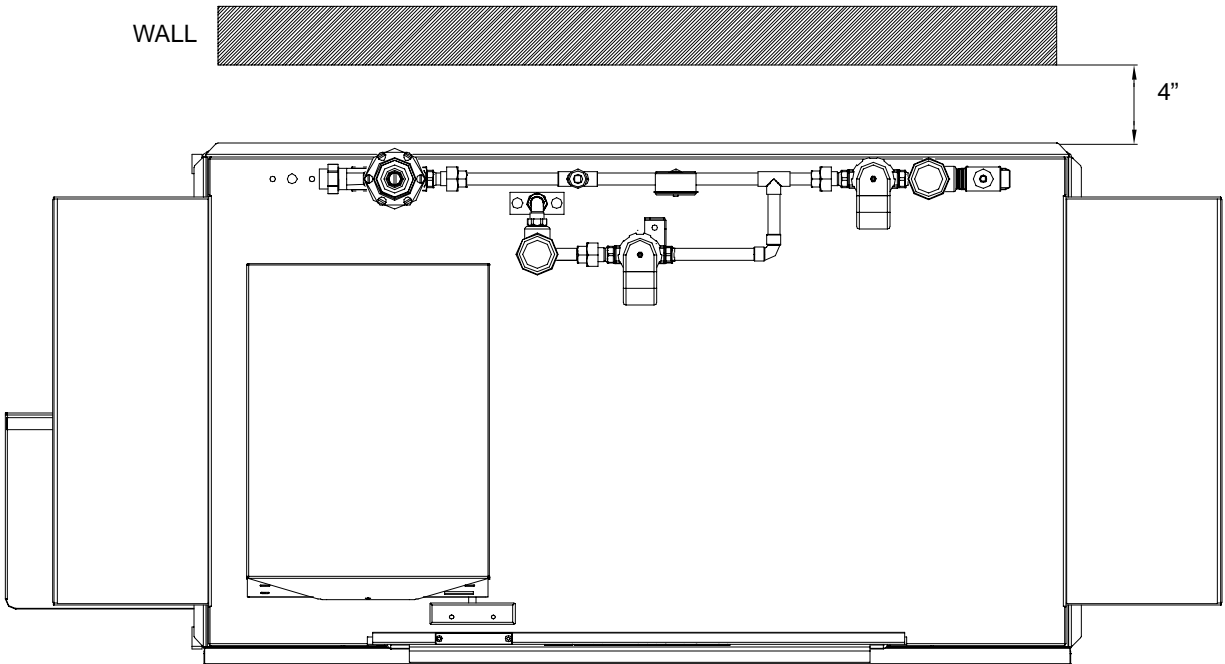
F = 1/2" IPS water outlet, approximately 6" above the finished floor. Gas heat models only.



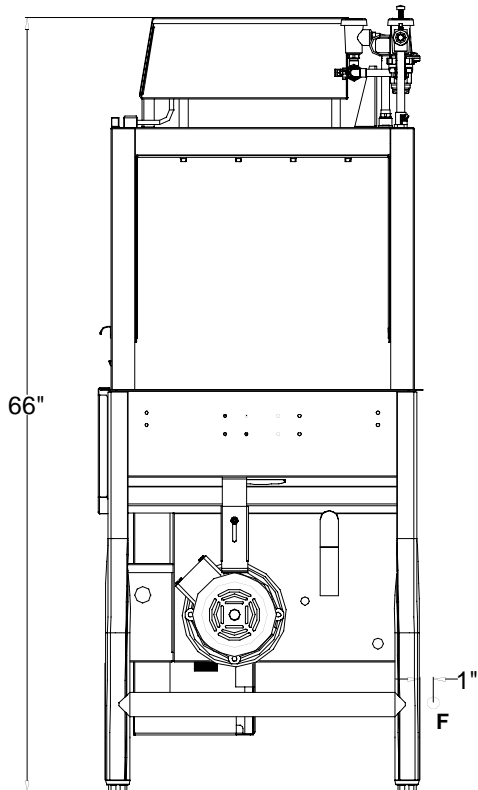
Typical dimension of the auxillary rinse tank found on the gas-heated models.

SECTION 1: SPECIFICATION INFORMATION

TS-44/TSC-44 DIMENSIONS (CONTINUED)



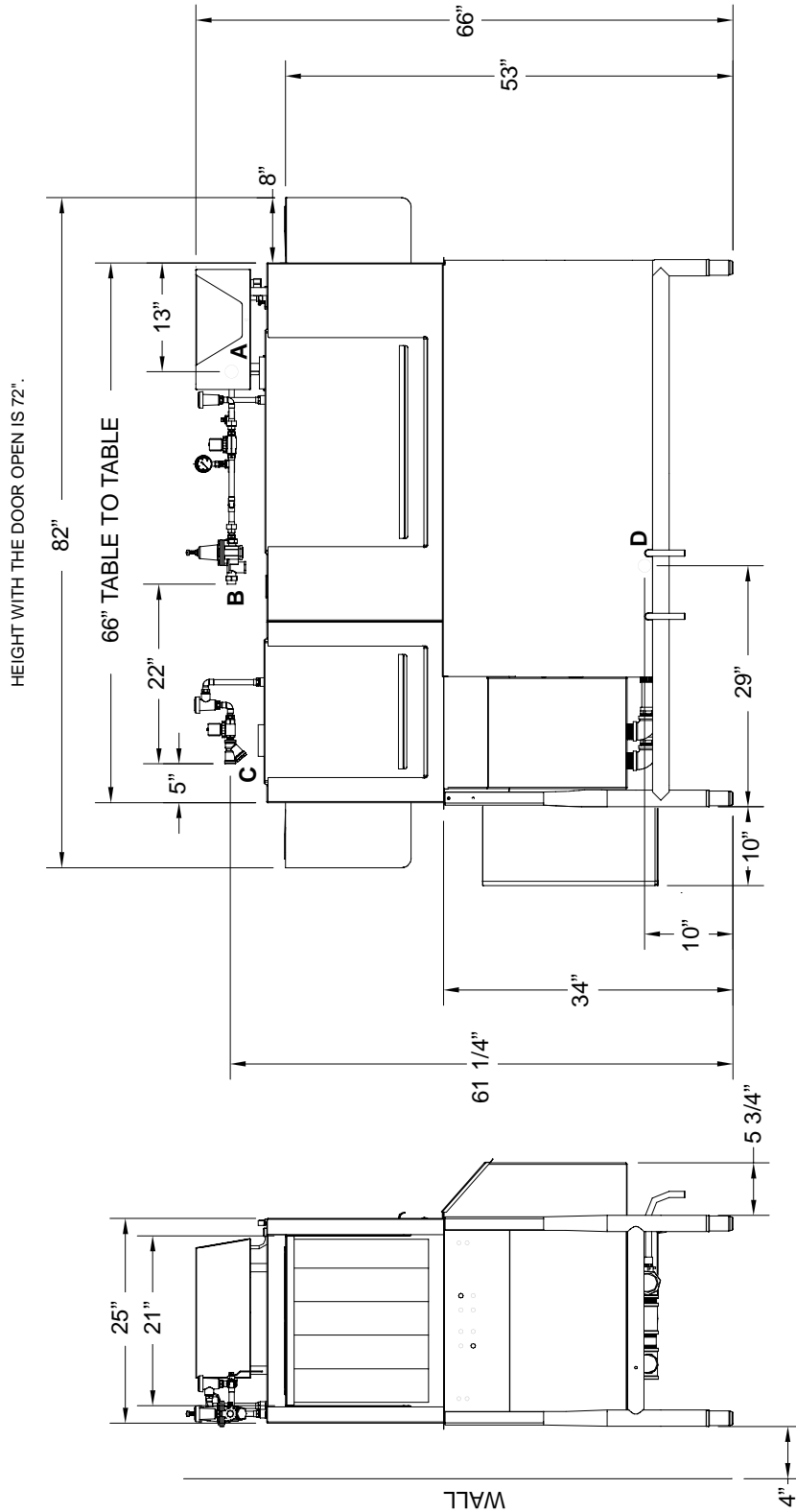
HEIGHT WITH DOOR OPEN: 72"



NOTES CONCERNING THE TS-44/TSC-44 DIMENSIONS:

1. All dimensions are $\pm 1/2$ " in the vertical due to adjustment of the bullet feet.
2. A minimum of 4" spacing is required between the unit and the walls on all sides.
3. The maximum recommended distance between the unit and any external booster heater (electric or gas) is 20 feet.
4. Booster heaters have separate electrical requirements from the machines.
5. Machine width as dimensioned does not include an approximate 3" for the conduit that is attached to the back of the machine.

SECTION 1: SPECIFICATION INFORMATION
TS-66/TSC-66 (LEFT TO RIGHT) DIMENSIONS



Add 3" to overall width to take into account the conduit on the back of the machine.

SECTION 1: SPECIFICATION INFORMATION

TS-66/TSC-66 (LEFT TO RIGHT) DIMENSIONS (CONTINUED)

LEGEND FOR TS-66/TSC-66 (LEFT TO RIGHT) DIMENSIONS:

A = Incoming electrical connection point, approximately 61-1/4" above the finished floor. Refer to machine data plate for electrical requirements.

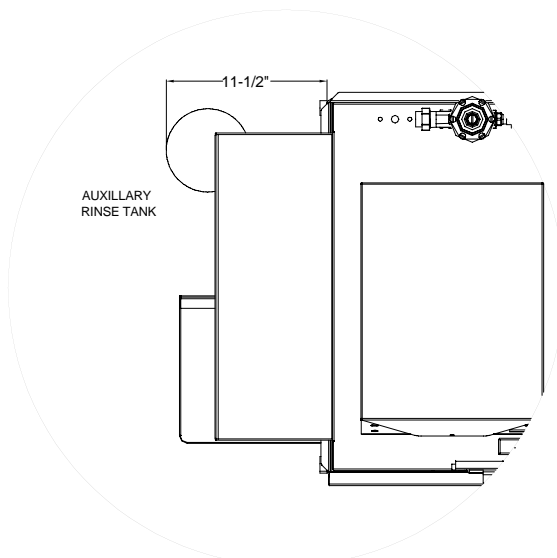
B = 1/2" IPS incoming water connection, approximately 61-1/4" above the finished floor. Electric heat models only.

C = 1/2" IPS prewash incoming water connection, approximately 61-1/4" above the finished floor. Electric heat models only.

D = 1-1/2" IPS drain point connection. If grease trap is required by code, size for 30 gallons per minute flowrate.

NOTES CONCERNING THE TS-66/TSC-66 DIMENSIONS:

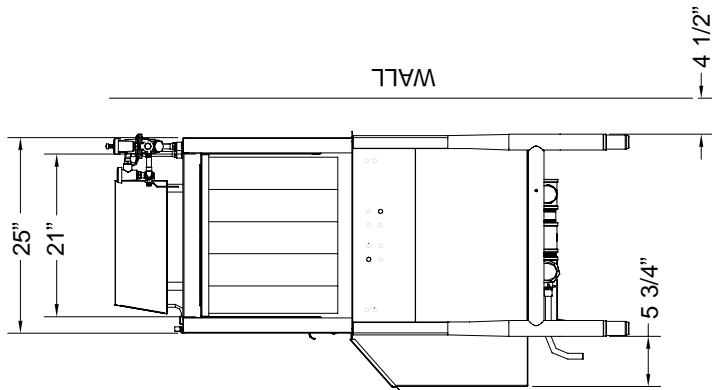
1. All dimensions are +/- 1/2" in the vertical due to adjustment of the bullet feet.
2. A minimum of 4" spacing is required between the unit and the walls on all sides.
3. The maximum recommended distance between the unit and any external booster heater (electric, steam or gas) is 20 feet.
4. Booster heaters have separate electrical requirements from the machines.
5. Machine width as dimensioned does not include an approximate 3" for the conduit that is attached to the back of the machine.



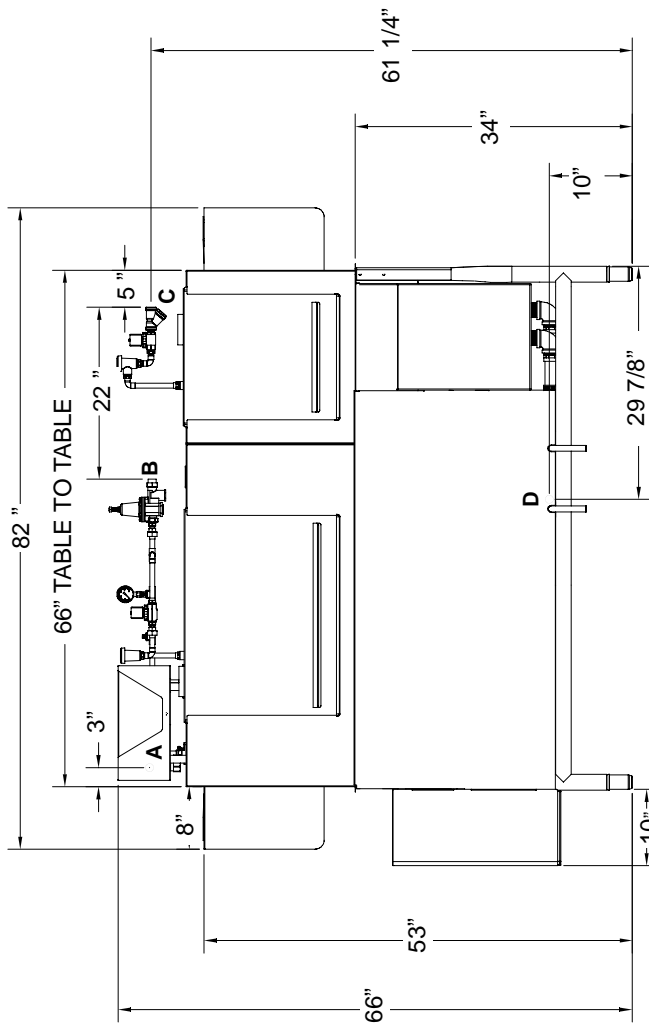
Typical dimension of the auxillary rinse tank found on the gas-heated models.

SECTION 1: SPECIFICATION INFORMATION

TS-66/TSC-66 (RIGHT TO LEFT) DIMENSIONS



Add 3" to overall width to take into account the conduit on the back of the machine.



SECTION 1: SPECIFICATION INFORMATION

TS-66/TSC-66 (RIGHT TO LEFT) DIMENSIONS

LEGEND FOR TS-66/TSC-66 (RIGHT TO LEFT) DIMENSIONS:

A = Incoming electrical connection point, approximately 61-1/4" above the finished floor. Refer to machine data plate for electrical requirements.

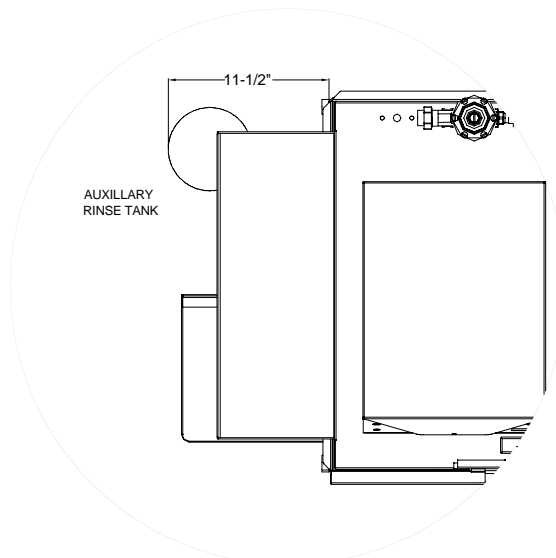
B = 1/2" IPS incoming water connection, approximately 61-1/4" above the finished floor. Electric heat models only.

C = 1/2" IPS prewash incoming water connection, approximately 61-1/4" above the finished floor. Electric heat models only.

D = 1-1/2" IPS drain point connection. If grease trap is required by code, size for 30 gallons per minute flowrate.

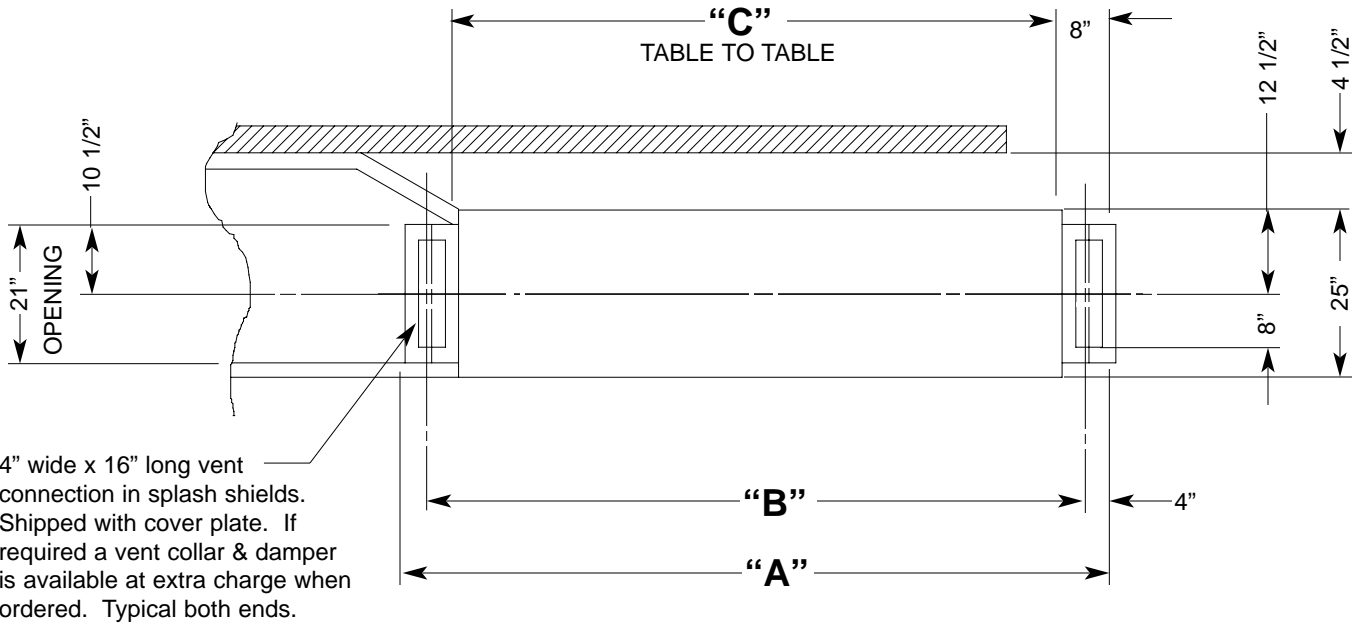
NOTES CONCERNING THE TS-66/TSC-66 DIMENSIONS:

1. All dimensions are +/- 1/2" in the vertical due to adjustment of the bullet feet.
2. A minimum of 4" spacing is required between the unit and the walls on all sides.
3. The maximum recommended distance between the unit and any external booster heater (electric, steam or gas) is 20 feet.
4. Booster heaters have separate electrical requirements from the machines.
5. Machine width as dimensioned does not include an approximate 3" for the conduit that is attached to the back of the machine.

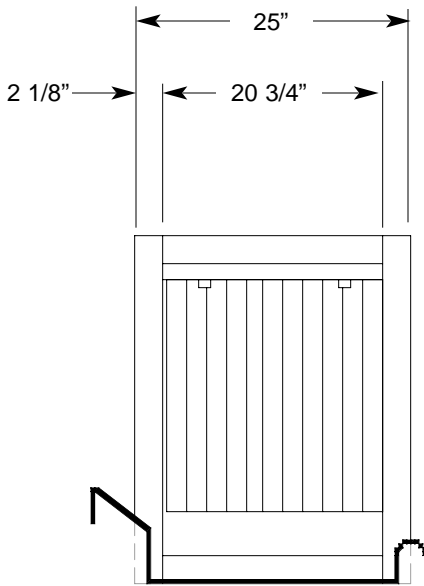


Typical dimension of the auxillary rinse tank found on the gas-heated models.

SECTION 1: SPECIFICATION INFORMATION
DISHTABLE DIMENSIONS

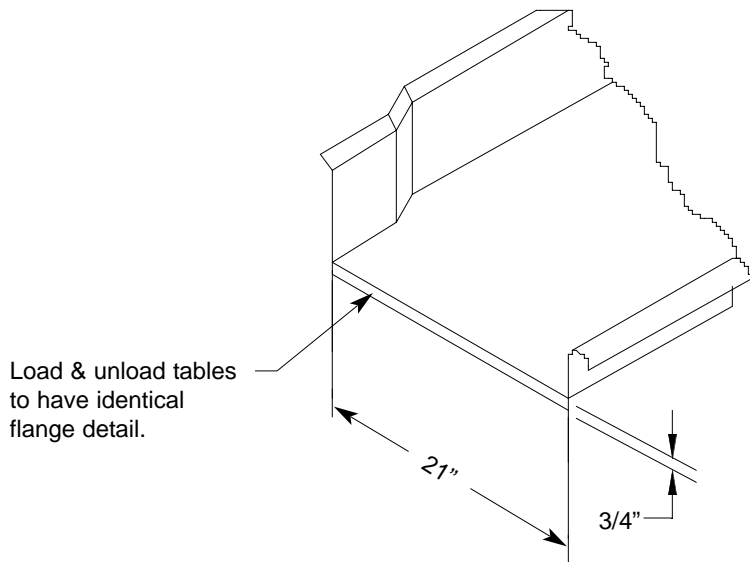


PLAN VIEW



TS/TSC-44 DIMENSIONS:

"A" = 60"
"B" = 52"
"C" = 44"



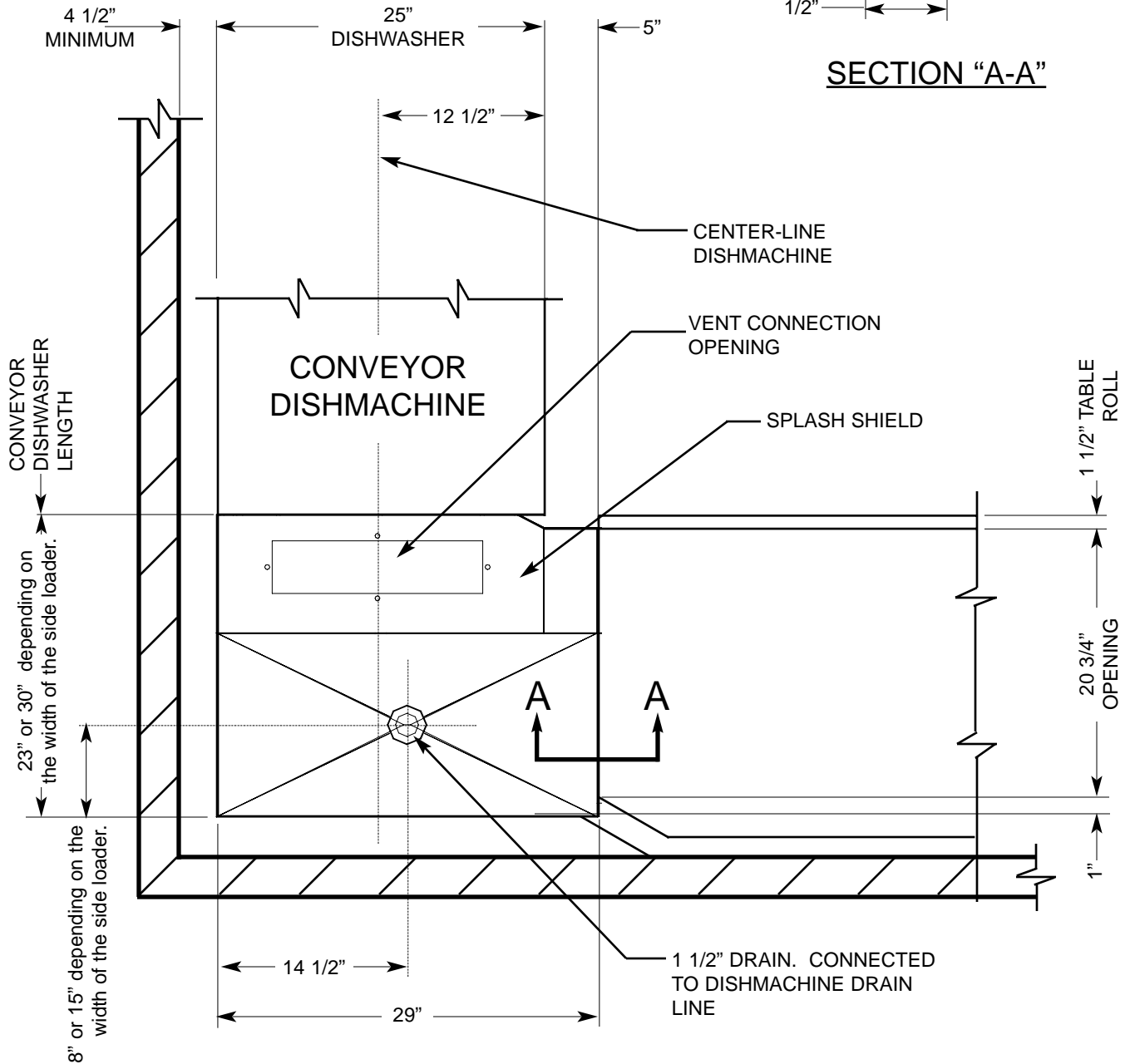
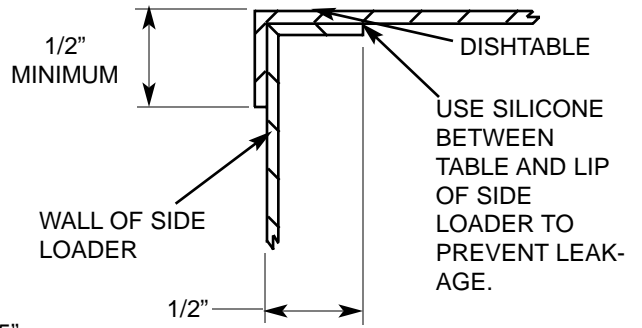
TS/TSC-66 DIMENSIONS:

"A" = 82"
"B" = 74"
"C" = 66"

SECTION 1: SPECIFICATION INFORMATION

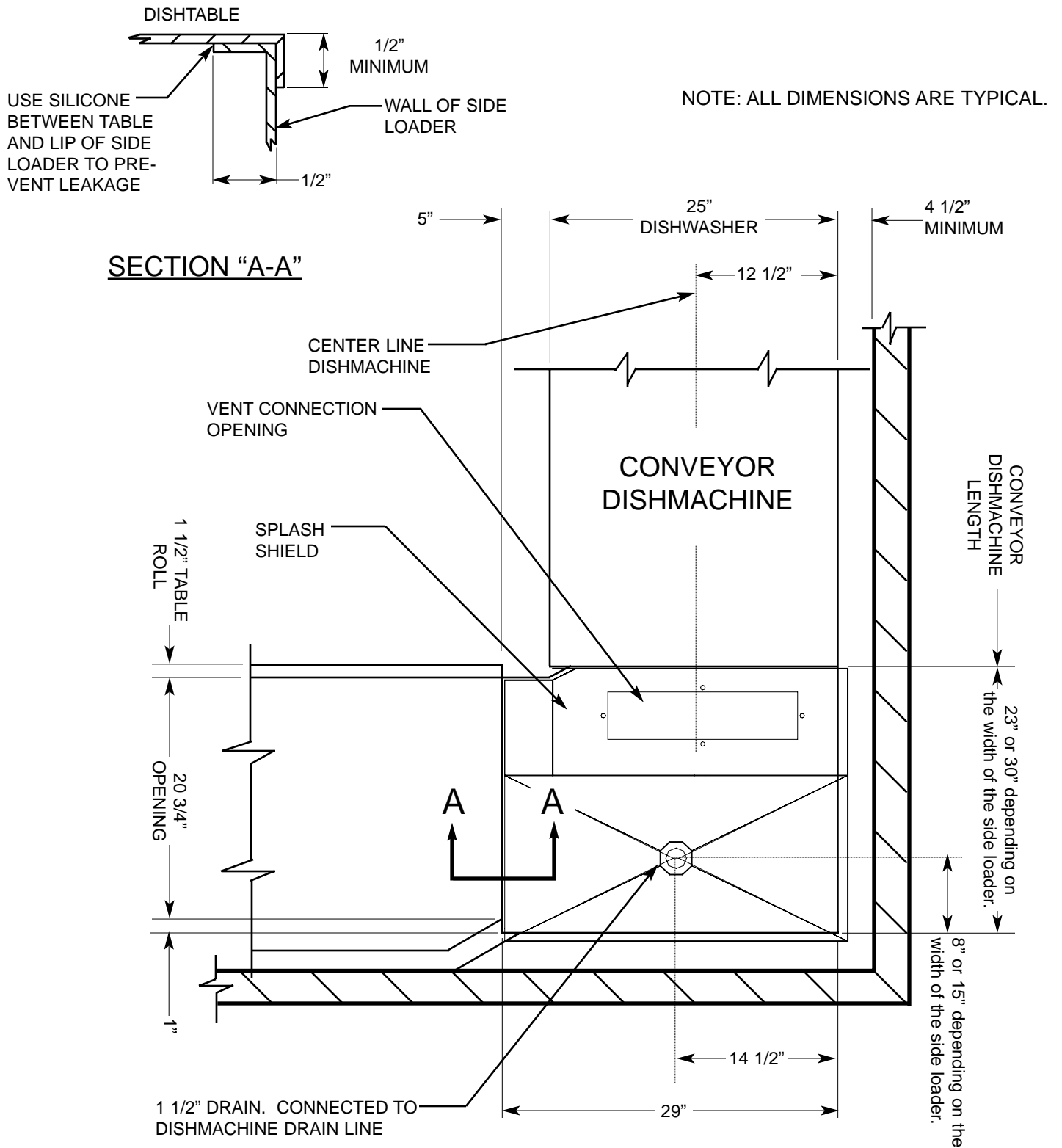
SIDE LOADER (LEFT TO RIGHT) DIMENSIONS

NOTE: ALL DIMENSIONS ARE TYPICAL.



SECTION 1: SPECIFICATION INFORMATION

SIDE LOADER (RIGHT TO LEFT) DIMENSIONS



SECTION 1: SPECIFICATION INFORMATION

SIDE LOADER (INSTALLED) DIMENSIONS

23" SIDE LOADER DIMENSIONS

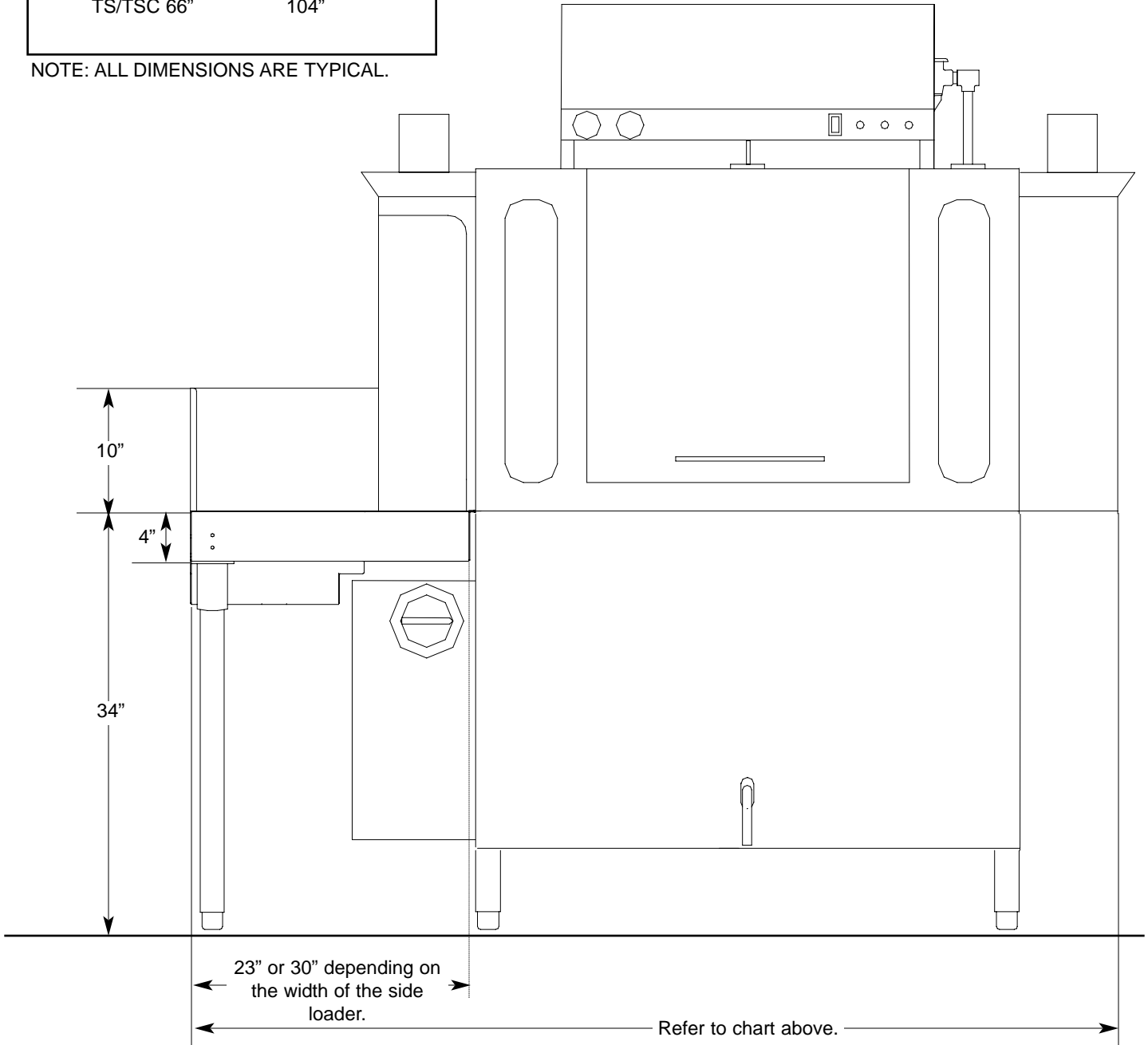
<u>MODEL</u>	<u>DIMENSIONS</u>
TS/TSC 44"	75"
TS/TSC 66"	97"

30" SIDE LOADER DIMENSIONS

<u>MODEL</u>	<u>DIMENSIONS</u>
TS/TSC 44"	82"
TS/TSC 66"	104"

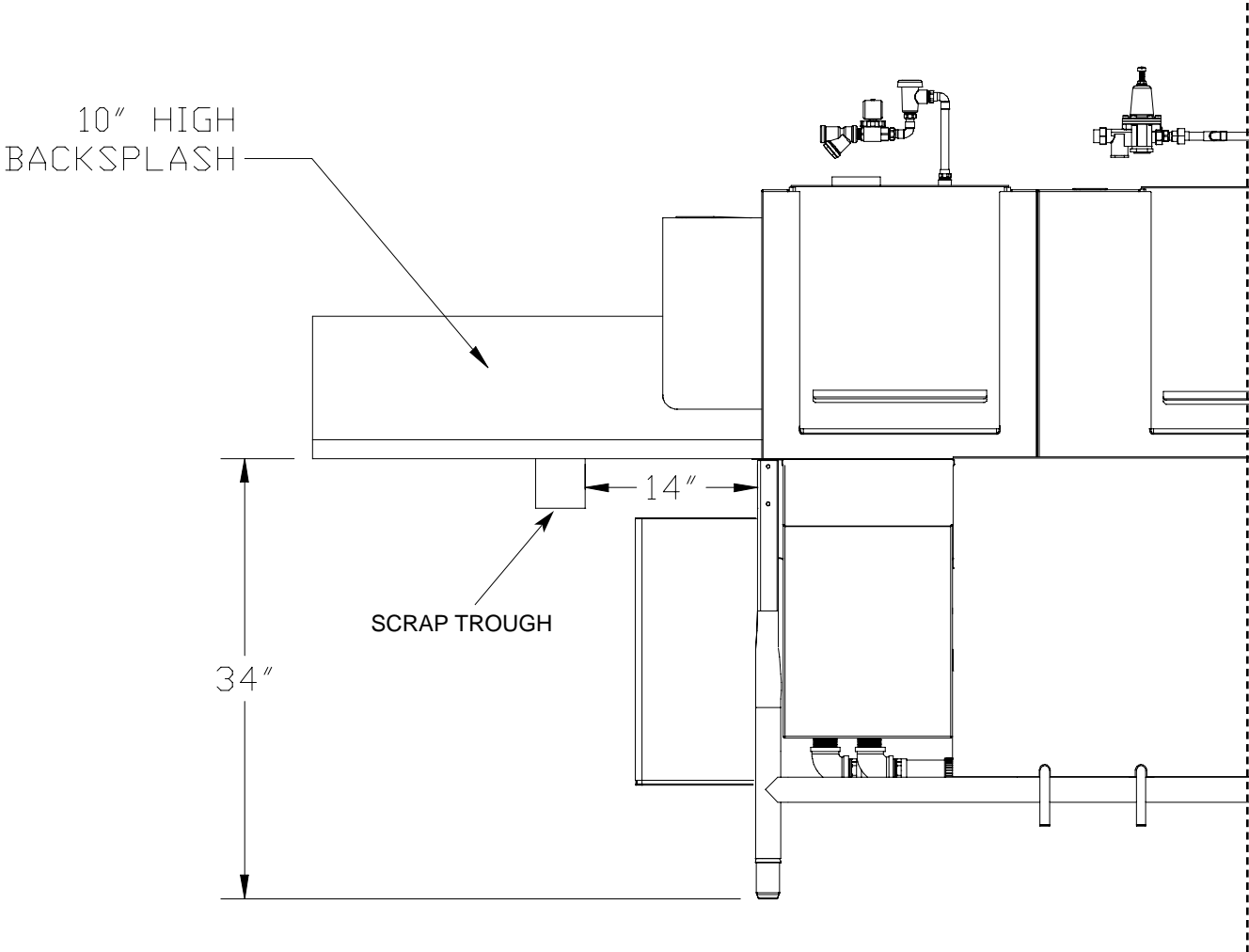
NOTE: ALL DIMENSIONS ARE TYPICAL.

(Left to Right installation shown for reference.)



SECTION 1: SPECIFICATION INFORMATION
SCRAP TROUGH DIMENSIONS

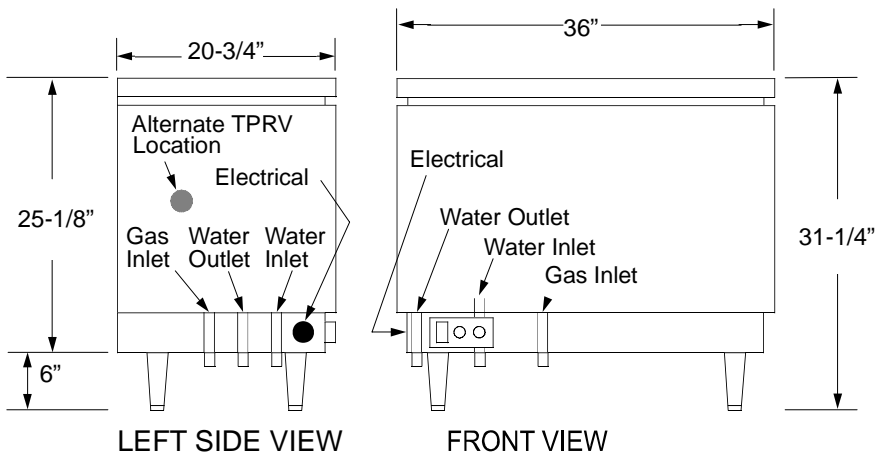
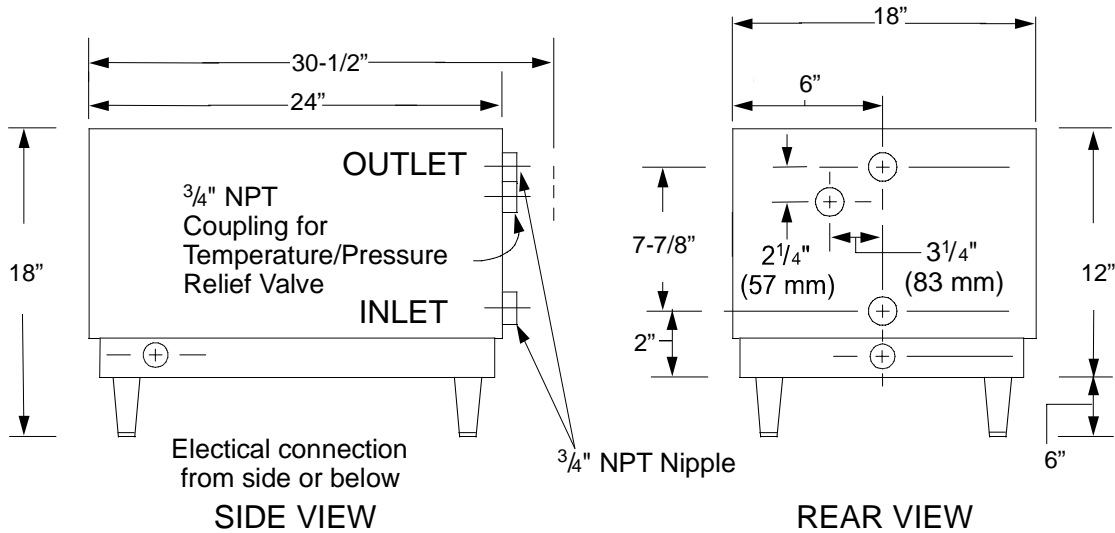
NOTE: DIMENSIONS ARE TYPICAL FOR BOTH ENDS.



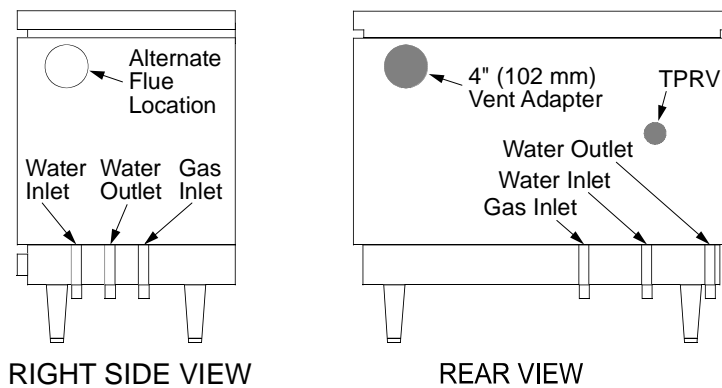
SECTION 1: SPECIFICATION INFORMATION

TYPICAL ELECTRIC AND GAS BOOSTER DIMENSIONS

Electric Booster Dimensions (Typical)



Gas Booster Dimensions (Typical)



**SECTION 2:
INSTALLATION & OPERATION
INSTRUCTIONS**

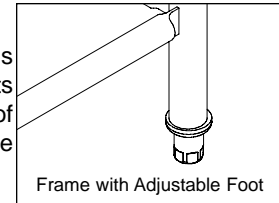
SECTION 2: INSTALLATION/OPERATION INSTRUCTIONS

INSTALLATION INSTRUCTIONS

VISUAL INSPECTION: Before installing the unit, check the container and machine for damage. A damaged container is an indicator that there may be some damage to the machine. If there is damage to both the container and machine, do not throw away the container. The dishmachine has been inspected and packed at the factory and is expected to arrive to you in new, undamaged condition. However, rough handling by carriers or others may result in there being damage to the unit while in transit. If such a situation occurs, do not return the unit to Jackson; instead, contact the carrier and ask them to send a representative to the site to inspect the damage to the unit and to complete an inspection report. You must contact the carrier within 48 hours of receiving the machine. Also, contact the dealer through which you purchased the unit.

UNPACKING THE DISHMACHINE: Once the machine has been removed from the container, ensure that there are no missing parts from the machine. This may not be obvious at first. If it is discovered that an item is missing, contact Jackson immediately to have the missing item shipped to you.

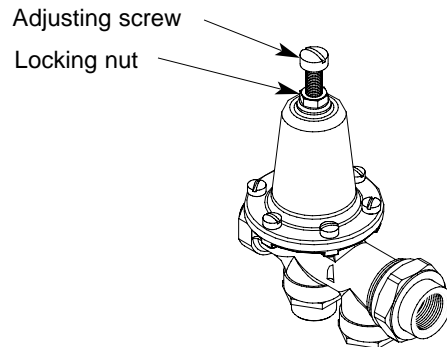
LEVEL THE DISHMACHINE: The dishmachine is designed to operate while being level. This is important to prevent any damage to the machine during operation and to ensure the best results when washing ware. The unit comes with adjustable bullet feet, which can be turned using a pair of channel locks or by hand if the unit can be raised safely. Ensure that the unit is level from side to side and from front to back before making any connections.



PLUMBING THE DISHMACHINE: All plumbing connections must comply with all applicable local, state, and national plumbing codes. The plumber is responsible for ensuring that the incoming water line is thoroughly flushed prior to connecting it to any component of the dishmachine. It is necessary to remove all foreign debris from the water line that may potentially get trapped in the valves or cause an obstruction. Any valves that are fouled as a result of foreign matter left in the water line, and any expenses resulting from this fouling, are not the responsibility of the manufacturer.

CONNECTING THE DRAIN LINE: The drain for the models covered in this manual are gravity discharge drains. All piping from the machine to the drain must be a minimum 1 1/2" NPT and shall not be reduced. There must also be an air gap between the machine drain line and the floor sink or drain. If a grease trap is required by code, it should have a flow capacity of 30 gallons per minute.

WATER SUPPLY CONNECTION: Ensure that you have read the section entitled "PLUMBING THE DISHMACHINE" above before proceeding. Install the water supply line (1/2" pipe size minimum) to the dishmachine line strainer using copper pipe. It is recommended that a water shut-off valve be installed in the water line between the main supply and the machine to allow access for service. The water supply line is to be capable of 25 PSI "flow" pressure at the recommended temperature indicated on the data plate.



In areas where the water pressure fluctuates or is greater than the recommended pressure, it is suggested that a water pressure regulator be installed. The models covered in this manual do come with water pressure regulators as standard equipment. Please notify Jackson immediately if this component is not present on your machine.

Do not confuse static pressure with flow pressure. Static pressure is the line pressure in a "no flow" condition (all valves and services are closed). Flow pressure is the pressure in the fill line when the fill valve is opened during the cycle.

It is also recommended that a shock absorber (not supplied) be installed in the incoming water line. This prevents line hammer (hydraulic shock), induced by the solenoid valve as it operates, from causing damage to the equipment.

PLUMBING CHECK: Slowly turn on the water supply to the machine after the incoming fill line and the drain line have been installed. Check for any leaks and repair as required. All leaks must be repaired prior to placing the machine in operation.

GAS CONNECTIONS: Some machines covered in this manual are designed to use gas as an outside source of heat for wash tank water. The machines come with connections by which an outside source needs to be connected. Connect all incoming gas lines in accordance with the gas booster manufacturer's instructions. Ensure that all applicable codes and regulations are adhered to.

SECTION 2: INSTALLATION/OPERATION INSTRUCTIONS

INSTALLATION INSTRUCTIONS (CONTINUED)

ELECTRICAL POWER CONNECTION: Electrical and grounding connections must comply with the applicable portions of the National Electrical Code ANSI/NFPA 70 (latest edition) and/or other electrical codes.

! *Disconnect electrical power supply and place a tag at the disconnect switch to indicate that you are working on the circuit.*

The dishmachine data plate is located on the right side and to the front of the machine. Refer to the data plate for machine operating requirements, machine voltage, total amperage load and serial number.

To install the incoming power lines, open the control box. Install conduit into the pre-punched holes in the back of the control box. Route power wires and connect to power block and grounding lug. Install the service wires (L1, L2, and L3 (3 phase only)) to the appropriate terminals as they are marked on the terminal block. Install the grounding wire into the lug provided. Tighten the connections. It is recommended that "DE-OX" or another similar anti-oxidation agent be used on all power connections.



Incoming Power Connection

Terminal Block

Decal showing "L1", "L2", & "L3"
(3 phase models only).

VOLTAGE CHECK: Ensure that the power switch is in the OFF position and apply power to the dishmachine. Check the incoming power at the terminal block and ensure it corresponds to the voltage listed on the data plate. If not, contact a qualified service agency to examine the problem. Do not run the dishmachine if the voltage is too high or too low. Shut off the service breaker and mark it as being for the dishmachine. Advise all proper personnel of any problems and of the location of the service breaker. Replace the control box cover and tighten down the screws.

VENTILATION OF DISHMACHINE: The dishmachine should be located with provisions for venting into an adequate exhaust hood or ventilation system. This is essential to permit efficient removal of the condensation exhaust. Ensure that the exhaust system is acceptable in accordance with all applicable codes and standards.

! *NOTE: Any damage that is caused by steam or moisture due to improper ventilation is NOT covered under the warranty.*

This units covered in this manual have the following exhaust requirements:

Load End:	200 CFM
Unload End:	400 CFM

The exhaust system must be sized to handle this volume for the dishmachine to operate as it was designed to.

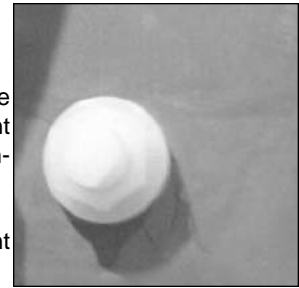
ELECTRIC HEAT: The thermostats for the machines covered in this manual are factory set. They should not be adjusted except by an authorized service agent.

SECTION 2: INSTALLATION/OPERATION INSTRUCTIONS

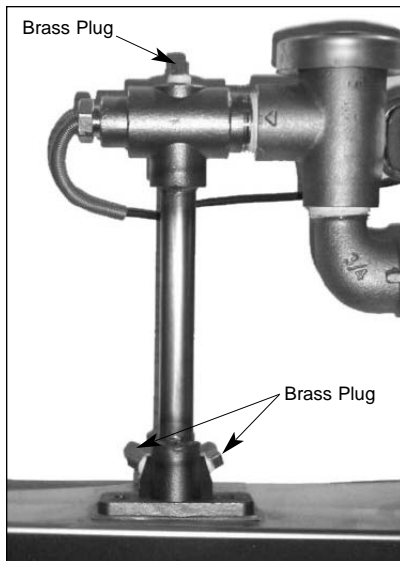
INSTALLATION INSTRUCTIONS (CONTINUED)

CHEMICAL FEEDER EQUIPMENT: Detergent may be introduced into the unit through the removal of the bulkhead plug in the rear of the tub and replacing it with the third party detergent injection fitting. Remove the bulkhead plug in the side of the tub to install the detergent concentration probe.

For more information concerning detergent concerns, please refer to the page entitled "Detergent Control".

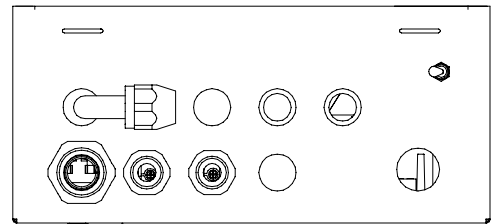


Detergent Connection Point
(Machine rear view)



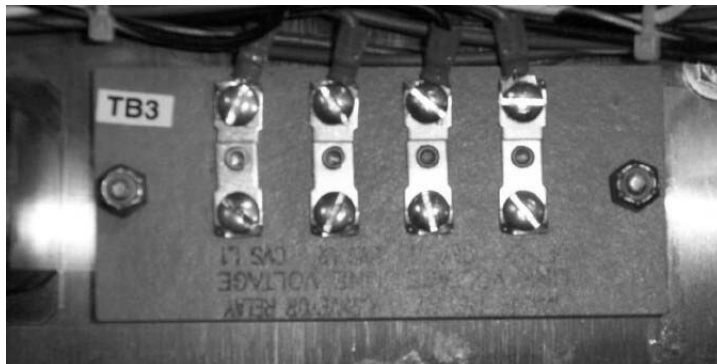
Rinse Injector

The 1/8" brass plugs on the incoming plumbing rinse injector may be removed to install rinse aid injection fittings.



Rear of Control Box

All wires for the chemical injectors should be routed through one of the extra openings in the back of the control box.



Connection Points

Terminals in the control box marked "CVS" provide a constant voltage signal whenever the drive motor is operating.

Terminals in the control box marked "DET" provide a voltage signal whenever the wash motor is operating.

SECTION 2: INSTALLATION/OPERATION INSTRUCTIONS

DELIMING OPERATIONS

DELIMING OPERATIONS: In order to maintain the dishmachine at its optimum performance level, it will be required to remove lime and corrosion deposits on a frequent basis. A deliming solution should be available from your detergent supplier. Read and follow all instructions on the label of the deliming solution.

To proceed with the deliming operation, fill the dishmachine and add the correct amount of deliming solution as recommended by the deliming solution manufacturer. The water capacity of the various tanks of the dishmachine can be verified on the specification sheet(s) of this manual.

Perform the following operations to delime the dishmachine:

1. Turn the NORMAL/DELIME switch on the back of the control box to the DELIME position.
2. Disconnect or turn off all chemical feeder pumps.
3. Close all doors (after adding the deliming solution).
4. Run the machine for the recommended period of time.
5. Turn the unit off and open the doors.
6. Wait five minutes, then inspect the inside of the machine. If the machine is not delimed, run another time cycle as per the deliming solution's instructions.
7. When clean, drain and re-fill the machine.
8. Run in MANUAL for 10 minutes to remove residual deliming solution.
9. Drain and re-fill the machine.



Delime Switch

This equipment is not recommend for use with deionized water or other aggressive fluids. Use of deionized water or other aggressive fluids will result in corrosion and failure of materials and components. Use of deionized water or other aggressive fluids will void the manufacturer's warranty.

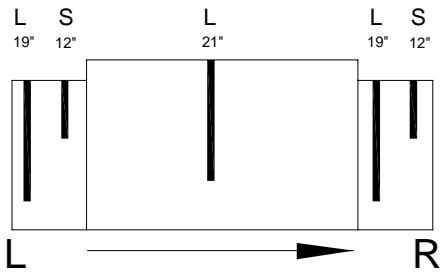
SECTION 2: INSTALLATION/OPERATION INSTRUCTIONS

CURTAIN INSTALLATION DIAGRAMS

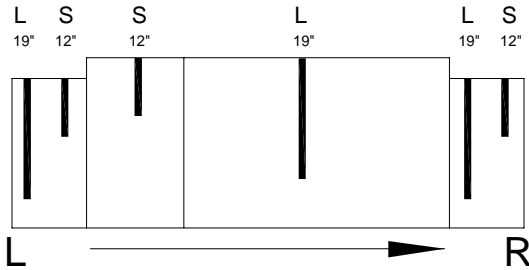
Please refer to the chart for placement of the curtains.

TS SERIES MACHINES

44



66



SECTION 2: INSTALLATION/OPERATION INSTRUCTIONS

SIDE LOADER INSTALLATION & OPERATION INSTRUCTIONS

This accessory assists in the delivery of a full dish rack from the break down (scrapping) table to the dishmachine. It will convert the direction of travel 90°. Since the Side Loader is shipped mounted on the conveyor dishwasher there is no additional installation required for this option. As it is operated mechanically by the dishwasher it does not require any plumbing or electrical connections.

This Side Loader does not require or add any additional electrical or mechanical devices to the unit which could create operational or maintenance problems. As designed the drive mechanism is powered by the conveyor drive motor on the dishmachine. An extension on the pawl bar provides the drive to push the racks into the unit.

PREPARATION: Before proceeding with the start-up of the unit, verify that the Side Loader pan strainer is installed.

WARE PREPARATION: Proper preparation of ware will help ensure good results and less re-washes. If not done properly, ware may not come out clean and the efficiency of the dishmachine will be reduced. It is important to remember that a dishmachine is not a garbage disposal and that simply throwing unscrapped dishes into the machine simply defeats the purpose altogether of washing the ware. Scraps should be removed from ware prior to being loaded into a rack. Pre-rinsing and pre-soaking are good ideas, especially for silverware and casserole dishes. Place cups and glasses upside down in racks so that they do not hold water during the cycle. The dishmachine is meant not only to clean, but to sanitize as well, to destroy all of the bacteria that could be harmful to human beings. In order to do this, ware must be properly prepared prior to being placed in the machine.

WASHING A RACK OF WARE: Once a rack is fully loaded it should be positioned against the front of the dish table. The rack should then be moved into the Side Loader until it activates the actuator switch. Once the machine is started, it should pull the rack through the machine and push it out the unload end. Once a rack has started through, you may put another rack in.

OPERATIONAL INSPECTION: Based upon usage, the pan strainer may become clogged with soil and debris as the workday progresses. Operators should regularly inspect the pan strainer to ensure it has not become clogged. If the strainer does become clogged, it will reduce the washing capability of the machine. Instruct operators to clean out the pan strainer at regular intervals or as required by work load.

SHUTDOWN AND CLEANING: At the end of the workday, remove the pan strainer and clean as required. Wipe out the inside of the Side Loader and then reinsert the strainer.

DISHMACHINE OPERATING INSTRUCTIONS

PREPARATION: Before proceeding with the start-up of the unit, verify the following:

1. Close door(s) on dishmachine.
2. Close the drain valve(s).

POWER UP: To energize the unit, turn on the power at the service breaker. The voltage should have been previously verified as being correct. If not, the voltage will have to be verified.

FILLING THE WASH TUB: Ensure that the delime switch is in the NORMAL position, and place the power switch into the ON position. The machine should fill automatically and shut off when the appropriate level is reached (just below the pan strainer). The wash tub must be completely filled before operating the wash pump to prevent damage to the component. Once the wash tub is filled, the unit is ready for operation.



Machines equipped with prewash sections should not be run without water in those sections. This can cause damage to components.

WARE PREPARATION: Proper preparation of ware will help ensure good results and less re-washes. If not done properly, ware may not come out clean and the efficiency of the dishmachine will be reduced. It is important to remember that a dishmachine is not a garbage disposal and that simply throwing unscrapped dishes into the machine simply defeats the purpose altogether of washing the ware. Scraps should be removed from ware prior to being loaded into a rack. Pre-rinsing and pre-soaking are good ideas, especially for silverware and casserole dishes. Place cups and glasses upside down in racks so that they do not hold water during the cycle. The dishmachine is meant not only to clean, but to sanitize as well, to destroy all of the bacteria that could be harmful to human beings. In order to do this, ware must be properly prepared prior to being placed in the machine.

DAILY MACHINE PREPARATION: Refer to the section entitled "PREPARATION" at the top of this page and follow the instructions there. Afterwards, check that all of the chemical levels are correct and/or that there is plenty of detergent available for the expected workload.

WASHING A RACK OF WARE: To wash a rack, simply slide a rack of soiled ware into the load end of the machine. Once the machine is started, it should pull the rack through the machine and push it out the unload end. Once a rack has started through, you may put another rack in.

OPERATIONAL INSPECTION: Based upon usage, the pan strainers may become clogged with soil and debris as the workday progresses. Operators should regularly inspect the pan strainers to ensure they have not become clogged. If the strainers do, they will reduce the washing capability of the machine. Instruct operators to clean out the pan strainers at regular intervals or as required by work load.



NOTE: On units equipped with prewash sections operators should also take the time to inspect the prewash section strainers and clean them as required by workload.

SHUTDOWN AND CLEANING: At the end of the workday, place the power switch in the OFF position and open the door(s). Open the drain valves and allow the machine to drain completely. Remove the pawl bar assembly (clean as required). Remove the pan strainers and, if equipped, the prewash strainers, run off sheets and scrap basket strainer. Remove the wash and, if equipped, the prewash arms and verify that the nozzles and arms are free from obstructions. Flush the arms with fresh water. Remove the pump suction strainers and clean out as required. Remove the rinse tray assembly and clean. Remove the curtains and scrub with a mild detergent and warm water. Wipe out the inside of the unit and then reassemble with the components previously removed.

DETERGENT CONTROL

Detergent usage and water hardness are two factors that contribute greatly to how efficiently your dishmachine will operate. Using detergent in the proper amount can become, in time, a source of substantial savings. A qualified water treatment specialist can tell you what is needed for maximum efficiency from your detergent, but you should still know some basics so you'll understand what they are talking about.

First, you must understand that hard water greatly effects the performance of the dishmachine. Water hardness is the amount of dissolved calcium and magnesium in the water supply. The more dissolved solids in the water, the greater the water hardness. Hard water works against detergent, thereby causing the amount of detergent required for washing to increase. As you use more detergent, your costs for operating the dishmachine will increase and the results will decrease. The solids in hard water also may build-up as a scale on wash and rinse heaters, decreasing their ability to heat water. Water temperature is important in removing soil and sanitizing dishes. If the water cannot get hot enough, your results may not be satisfactory. This is why Jackson recommends that if you have installed the machine in an area with hard water, that you also install some type of water treatment equipment to help remove the dissolved solids from the water before it gets to the dishmachine.

Second, hard water may have you adding drying agents to your operating cycle to prevent spotting, when the real problem is deposited solids on your ware. As the water evaporates off of the ware, the solids will be left behind to form the spotting and no amount of drying agent will prevent this. Again, using treated water will undoubtedly reduce the occurrences of this problem.

Third, treated water may not be suitable for use in other areas of your operation. For instance, coffee made with soft water may have an acid or bitter flavor. It may only be feasible to install a small treatment unit for the water going into the dishmachine itself. Discuss this option with your qualified water treatment specialist.

Even after the water hardness problems have been solved, there still must be proper training of dishmachine operators in how much detergent is to be used per cycle. Talk with your water treatment specialist and detergent vendor and come up with a complete training program for operators. Using too much detergent has as detrimental effects as using too little. The proper amount of detergent must be used for job. It is important to remember that certain menu items may require extra detergent by their nature and personnel need to be made aware of this. Experience in using the dishmachine under a variety of conditions, along with good training in the operation of the machine, can go a long way in ensuring your dishmachine operates as efficiently as possible.

Certain dishmachine models require that chemicals be provided for proper operation and sanitization. Some models even require the installation of third-party chemical feeders to introduce those chemicals to the machine. Jackson does not recommend or endorse any brand name of chemicals or chemical dispensing equipment. Contact your local chemical distributor for questions concerning these subjects.

Some dishmachines come equipped with integral solid detergent dispensers. These dispensers are designed to accommodate detergents in a certain sized container. If you have such a unit, remember to explain this to your chemical distributor upon first contacting them.

As explained before, water temperature is an important factor in ensuring that your dishmachine functions properly. The data plate located on each unit details what the minimum temperatures must be for either the incoming water supply, the wash tank and the rinse tank, depending on what model of dishmachine you have installed. These temperatures may also be followed by temperatures that Jackson recommends to ensure the highest performance from you dishmachine. However, if the minimum requirements are not met, the chances are your dishes will not be clean or sanitized. Remember, a dish can look clean, but it may not be sanitized. Instruct your dishmachine operators to observe the required temperatures and to report when they fall below the minimum allowed. A loss of temperature can indicate a much larger problem such as a failed heater or it could also indicate that the hot water heater for your operation is not up to capacity and a larger one may need to be installed.

There are several factors to consider when installing your dishmachine to ensure that you get the best possible results from it and that it operates at peak efficiency for many years. Discuss your concerns with your local chemical distributor and water treatment specialist before there is a problem.

STRIKER PLATE LIMIT SWITCH INSTALLTION INSTRUCTIONS

Installation Instructions:

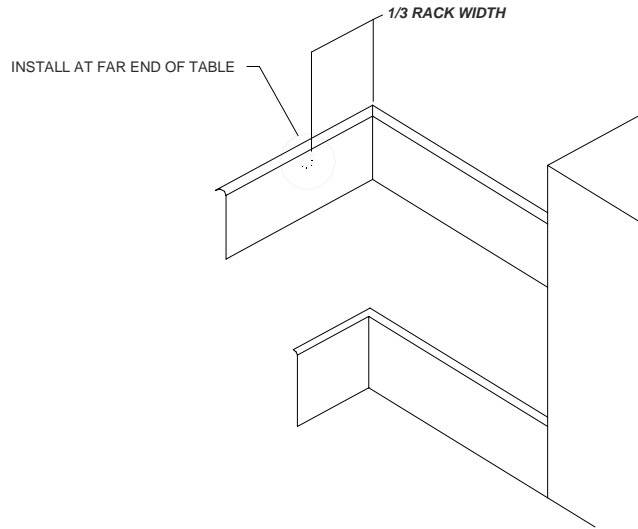
1. Wiring: The switch is wired common and normally open because of the hinge design. By interrupting the line in series with the door switches, the dishmachine ceases to operate. Refer to the machine schematic for details on how to wire the switch.

2. Parts of the table switch are mounted in the dishtable, at the end of the table and under the table. See the drawing(s) for the relationship of the switch to the table.

3. Move the limit switch as far down on the two slots as possible and see that the limit switch is straight on the base plate. This might require adjustment of the nut on the connector for the limit switch.

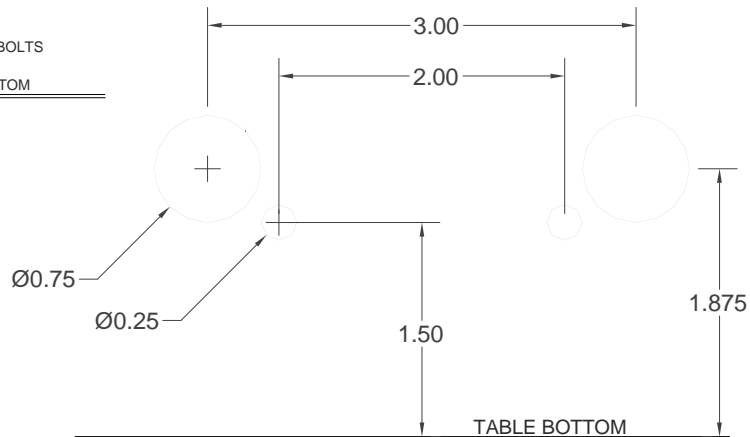
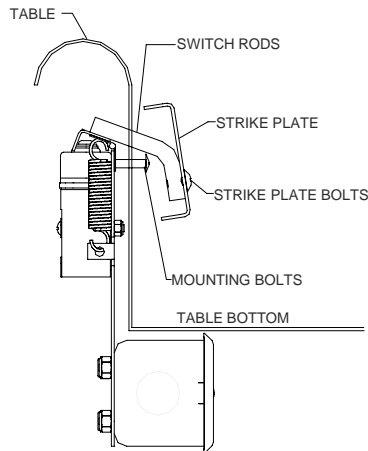
4. Then adjust the inside and the outside connector nuts for the connector box so that it lines up even with the limit switch and the base plate.

5. Tighten down the nuts for the seal so that they are tight.



6. If you have any difficulty you might have to adjust the connectors to the seal, screwing in or screwing out until the installation is straight on the table and the limit switch is actuated correctly by the rack.

TABLE LIMIT SWITCH THROUGH ROD HOLES



Unless noted, all dimensions are in inches.

SECTION 3: PREVENTATIVE MAINTENANCE

SECTION 3: PREVENTATIVE MAINTENANCE

PREVENTATIVE MAINTENANCE

The dishmachines covered in this manual are designed to operate with a minimum of interaction with the operator. However, this does not mean that some items will not wear out in time. Jackson highly recommends that any maintenance and repairs not specifically discussed in this manual should be performed by **QUALIFIED SERVICE PERSONNEL ONLY**. Performing maintenance on your dishmachine may void your warranty if it is still in effect, so if you have a question or concern, do not hesitate to contact Jackson.

There are many things that operators can do to prevent catastrophic damage to the dishmachine. One of the major causes of component failure has to do with prescraping procedures. A dishmachine is not a garbage disposal; any large pieces of material that are put into the machine shall remain in the machine until they are either broken up (after spreading out on your ware!) or physically removed. Strainers are installed to help catch debris, but they do no good if they are clogged. Have operators regularly inspect the pan strainers to ensure (1) that they are free of soil and debris and (2) they are laying flat in the tub.

When cleaning out strainers, do **NOT** beat them on waste cans. The strainers are made of metal and can be forgiving; but once severe damage is done, it is next to impossible for the strainer to work in the way it was designed to. Wipe out strainers with a rag and rinse under a faucet if necessary. For stubborn debris, a toothpick should be able to dislodge any obstructions from the perforations. Always ensure that strainers are placed back in the machine before operation and that they lay flat in the tub.

You may wish to also refer to the page entitled "Detergent Control" in order to learn more about how your water hardness will effect the performance of your machine. Hard water makes dishmachines work harder and decreases efficiency.

Again, it is important to remind operators that trying to perform corrective maintenance on the dishmachine could lead to larger problems or even cause harm to the operator. If a problem is discovered; secure the dishmachine using proper shut down procedures as listed in this manual and contact Jackson.

Some problems, however, may have nothing to do with the machine itself and no amount of preventative maintenance is going to help. A common problem has to do with temperatures being too low. Verify that the water temperatures coming to your dishmachine match the requirements listed on the machine data plate. There can be a variety of reasons why your water temperature could be too low and you should discuss it with Jackson to determine what can be done.

By following the operating and cleaning instructions in this manual, you should get the most efficient results from your machine. As a reminder, here are some steps to take to ensure that you are using the dishmachine the way it was designed to work:

1. Ensure that the water temperatures match those listed on the machine data plate.
2. Ensure that all strainers are in place before operating the machine.
3. Ensure that all wash and/or rinse arms are secure in the machine before operating.
4. Ensure that drains are closed/sealed before operating.
5. Remove as much soil from dishes by hand as possible before loading into racks.
6. Do not overfill racks.
7. Ensure that glasses are placed upside down in the rack.
8. Ensure that all chemicals being injected to machine have been verified as being at the correct concentrations.
9. Clean out the machine at the end of every workday as per the instructions in the manual.
10. Always contact Jackson whenever a serious problem arises.
11. Follow all safety procedures, whether listed in this manual or put forth by local, state or national codes/regulations.

SECTION 4: TROUBLESHOOTING

SECTION 4: TROUBLESHOOTING

COMMON PROBLEMS



WARNING: Inspection, testing and repair of electrical equipment should only be performed by a qualified service technician. Many of the tests require that the unit have power to it and live electrical components be exposed. USE EXTREME CAUTION WHEN TESTING THE MACHINE.

Problem: Nothing on dishmachine operates. The power switch is ON and the power indicator light is OFF.

1. Machine is not wired correctly to incoming power source. Have an electrician verify wiring.
2. Machine circuit breaker is tripped. Reset the circuit breaker. If it trips again, contact an electrician to verify the machine amp draw.
3. Service breaker is tripped. Reset the service breaker. If it trips again, contact an electrician to verify the machine amp draw.

Problem: Machine will not fill. The power switch is ON and the power indicator light is ON.

1. No water supply to machine. Verify that water lines have been connected to the machine.
2. Dishmachine doors are not closed. Close doors completely.
3. Incoming water solenoid valve damaged/faulty. Verify that the valve is operating. If not, replace.
4. Tank floats faulty. Verify the wiring of the floats. Verify that no debris is jamming the floats. Replace if necessary.

Problem: Machine fills, but fill is weak.

1. Low incoming water pressure. Verify that incoming water pressure during fill is 20 ± 5 PSI.
2. Incoming water solenoid is clogged. Verify that debris is not entrapped in valve. If so, remove debris.

Problem: Low wash tank temperature.

1. Low incoming water temperature. Verify that the incoming water temperature matches what is indicated on the machine data plate.
2. Heater not energizing. Verify that the wash tank heater is operating. If not, replace.
3. Low incoming voltage. Have an electrician verify that the power coming to the machine is the same as indicated on the data plate.

Problem: Low wash arm pressure, poor spray pattern.

1. Clogged wash arm nozzles. Verify that nozzles are not clogged with debris. If so, remove debris.
2. Clogged wash tank or wash pump strainers. Clean out strainers if necessary.
3. Worn wash pump impeller. Verify status of impeller, replace if necessary.

Problem: Low prewash arm pressure, poor spray pattern.

1. Clogged prewash arm nozzles. Verify that nozzles are not clogged with debris. If so, remove debris.
2. Clogged prewash tank or prewash pump strainers. Clean out strainers if necessary.
3. Worn prewash pump impeller. Verify status of impeller, replace if necessary.

Problem: Inadequate rinse.

1. Low incoming water pressure. Verify that incoming water pressure during fill is 20 ± 5 PSI.
2. Incoming water solenoid is clogged. Verify that debris is not entrapped in valve. If so, remove debris.

Problem: Pawl bar does not move.

1. Failed or broken overload spring. Replace spring if necessary.
2. No power to the drive motor/failed drive motor. Verify power and wiring connections to the motor. If necessary, replace the motor.
3. Pawl bar not properly installed. Verify that the pawl bar is installed correctly.

SECTION 4: TROUBLESHOOTING

COMMON PROBLEMS

Problem: Racks go through the machine, but results are poor.

1. Verify that detergent is being dispensed into the machine at the appropriate quantities for the water volume. If not, get detergent to appropriate level and review results of washing ware.
2. Clogged strainers/scrap basket. Clean out strainers and scrap basket and replace.
3. Ware not being properly prescrapped. Review paragraph entitled "Ware Preparation" in Operating Instructions.
4. Wash or rinse arms missing end plugs or caps. Verify and replace as required.
5. Low tank heat.
6. Inadequate rinse.
7. Incorrect voltage coming to the machine. Verify that the voltage matches that on the machine data plate.
8. Wash pump cavitation due to low water level. Verify that the drains are shut and that the water level is correct.

Problem: Spotting of silverware, glasses and dishes.

1. Incorrect final rinse temperature. Verify that the rinse water temperature matches that which is listed on the machine data plate.
2. Clogged wash and/or rinse nozzles and arms. Remove the arms and verify that they and their nozzles are free from debris.
3. Excessively hard water. Install a water softener to reduce hardness.
4. Loss of water pressure due to clogged/obstructed wash pump. Turn the power off to the machine at the source. Drain the wash tank of water and verify that the pump intake is free from debris.
5. Improper scrapping procedures. Review the paragraph entitled "Ware Preparation" in Operating Instructions.
6. incorrect detergent/chemical concentrations. Verify that the detergent/chemical concentrations are correct for the associated water volume.

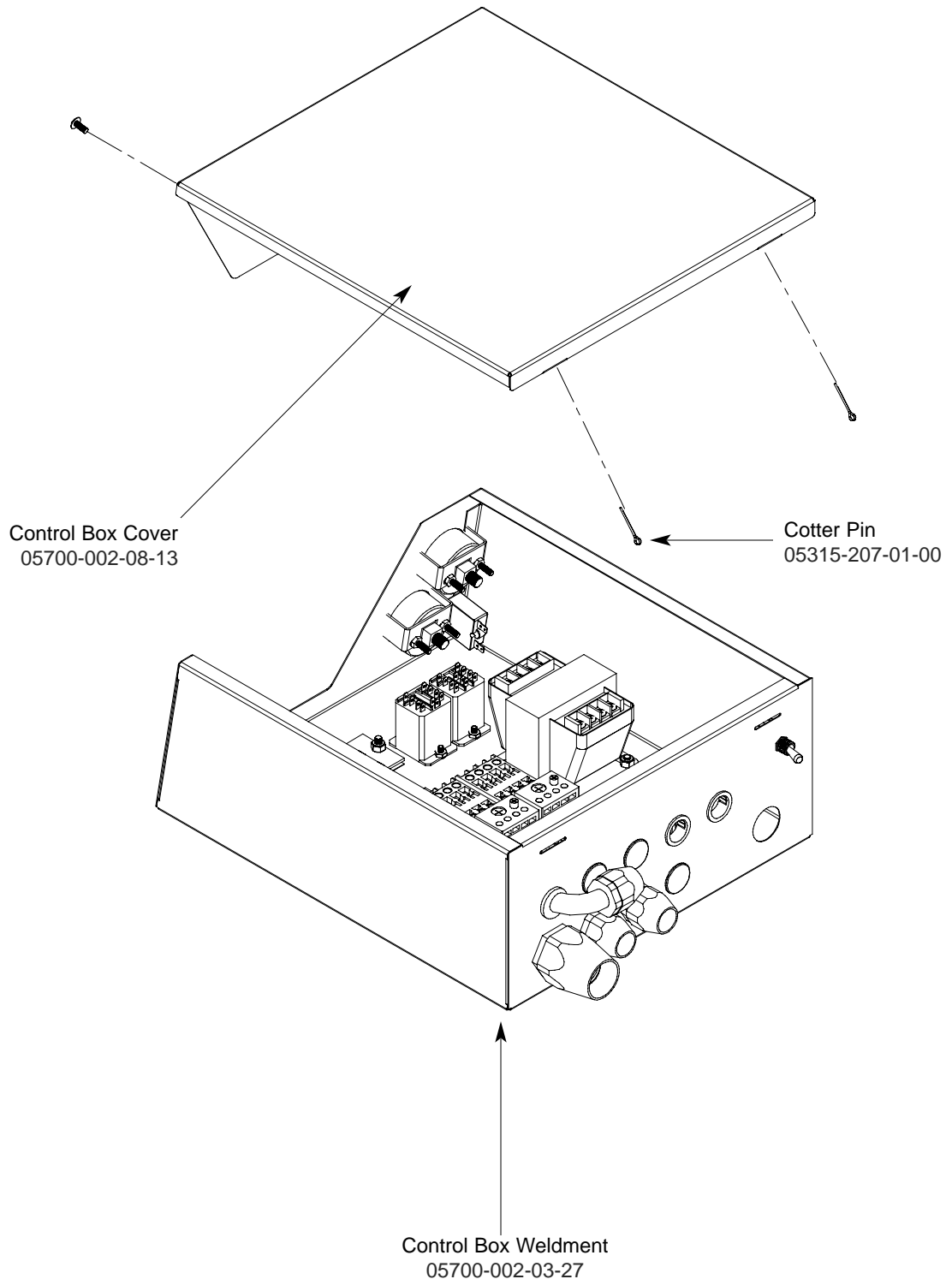
TORQUE SETTINGS

When replacing components either in the control box or the heater box area, the manufacturer has suggestions on how much to torque the screws and nuts used in securing items to the machine. Refer to the table below for the torque specifications:

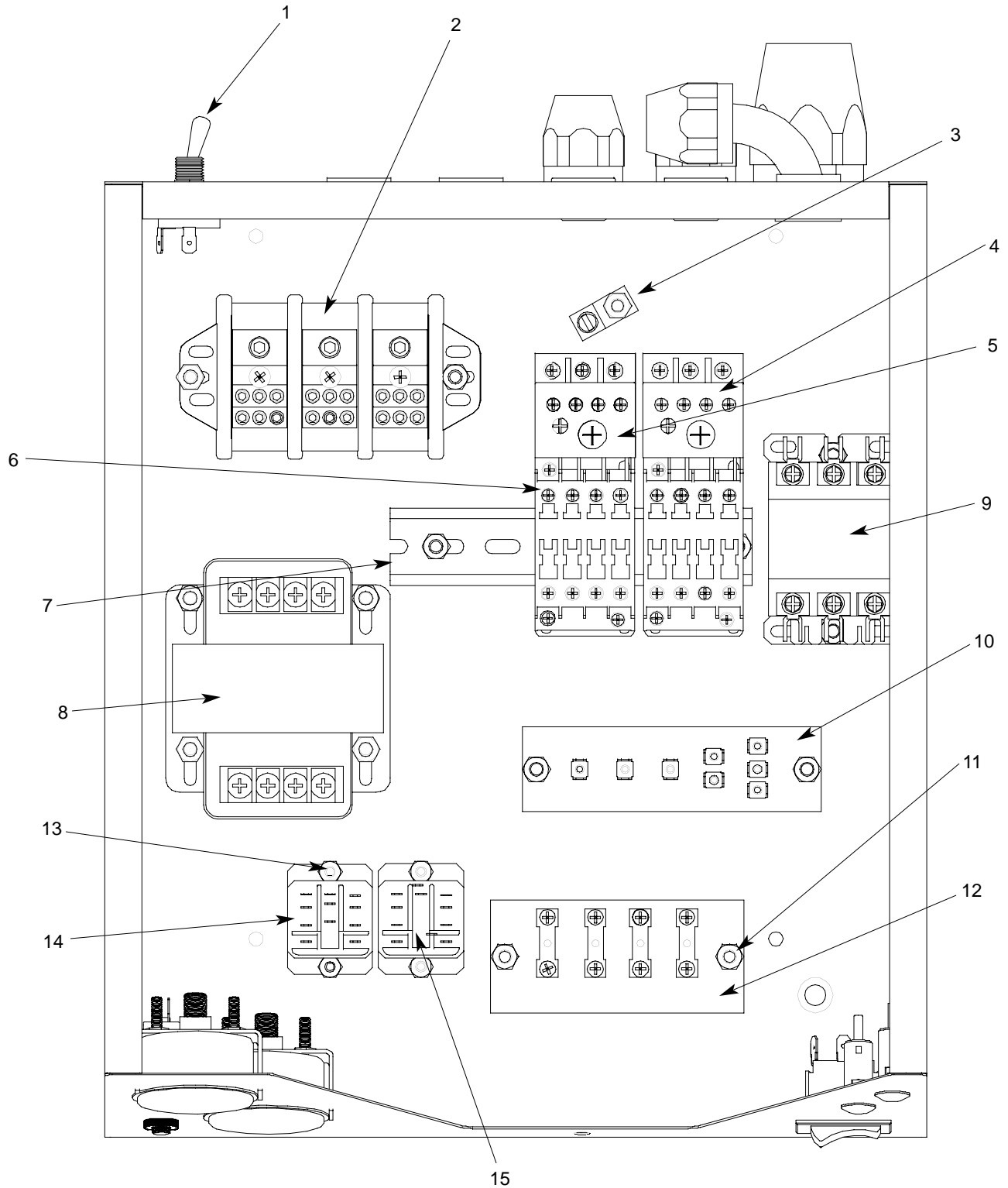
<u>ITEMS</u>	<u>TORQUE SPEC</u>
Relays	16 In/lbs
Heater Contactor	35 In/lbs
Heater Nuts	16 In/lbs
Terminal Block	50 In/lbs

SECTION 5: PARTS SECTION

SECTION 5: PARTS SECTION
TS-44/TSC-44 CONTROL BOX ASSEMBLY



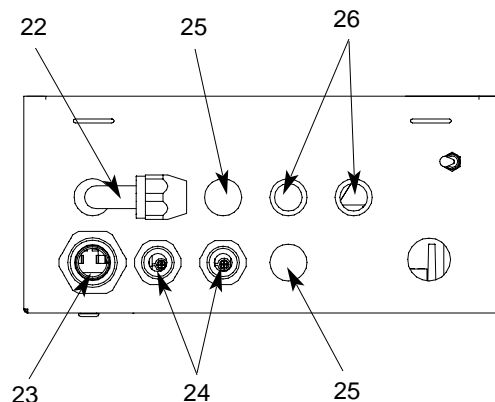
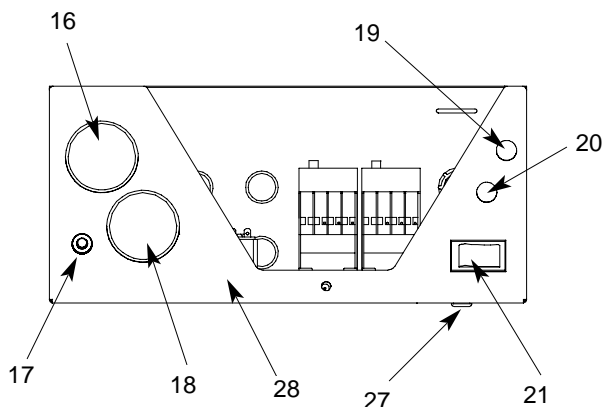
SECTION 5: PARTS SECTION
TS-44/TSC-44 CONTROL BOX ASSEMBLY (CONTINUED)



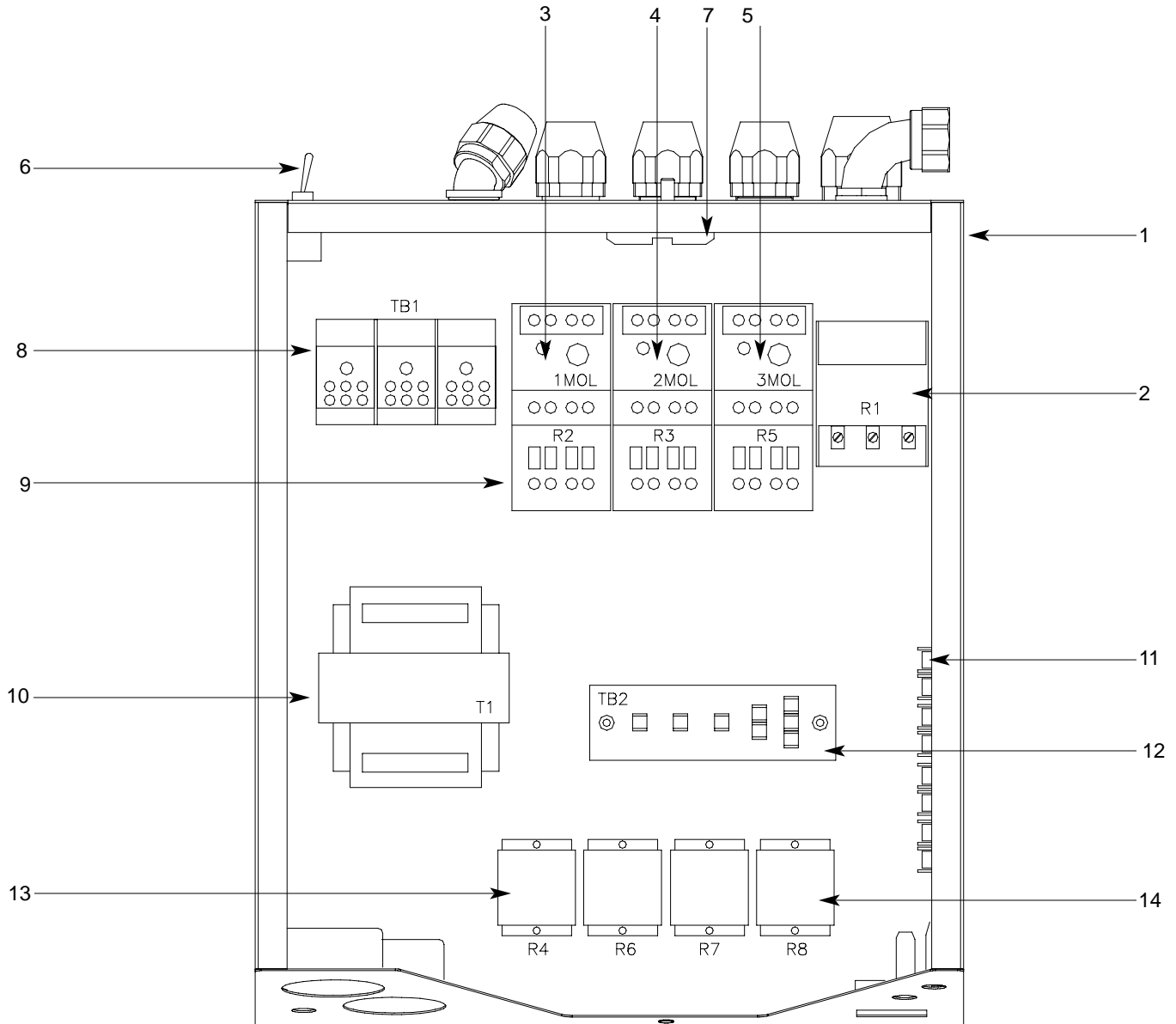
SECTION 5: PARTS SECTION

TS-44/TSC-44 CONTROL BOX ASSEMBLY (CONTINUED)

ITEM	QTY	DESCRIPTION	Mfg. No.
1	1	Switch, Master	05930-301-22-18
2	1	Terminal Block, 3 Pole	05940-011-48-27
3	1	Wire Lug, 2 AWG to 14 AWG	05940-200-76-00
4	1	Overload, 5.5 - 7.5 RT1M (3 phase only)	05945-111-68-40
	1	Overload (460-600V Models Only)	05945-111-68-12
5	1	Overload, 1 - 1.5 RT1G (3 phase only)	05945-111-68-39
	1	Overload (460-600V Models Only)	05945-111-68-41
6	2	Contactor	05945-111-68-38
7	1	Din Rail	05700-021-72-75
8	1	Transformer (TS-44/TSC-44)	05950-011-68-35
	1	Transformer (TS-44GP/TSC-44GP)	05950-002-46-10
	1	Transformer (TS-44/TSC-44 600V MODELS)	05950-002-23-77
9	1	Contactor, Heater	05945-002-24-70
10	1	Terminal Board	05940-002-78-97
11	15	Locknut, 1/4"-20 with Nylon Insert	05310-374-01-00
12	1	Terminal Board, Screw Down	05940-021-89-41
13	8	Locknut, 10-24 with Nylon Insert	05310-373-01-00
14	1	Relay, 120V, 3PDT, Top Mount	05945-111-72-51
15	1	Relay, Control	05945-111-35-19
16	1	Rinse Thermometer, 96" Lead	06685-111-68-49
	1	Decal, 180°F Rinse	09905-002-97-62
17	1	Circuit Breaker (208-230V Electric Models Only)	05925-011-68-34
17	1	Circuit Breaker (208-230V Gas Models Only)	05925-111-64-18
18	1	Wash Thermometer, 96" Lead	06685-111-68-49
	1	Decal, 160°F Wash	09905-003-00-69
19	1	Light, Amber (TS-44/TSC-44 Only)	05945-111-44-44
20	1	Light, Red	05945-111-44-45
21	1	Switch, Power	05930-301-46-00
22	1	Fitting, 1/2" NPT x 90°	05975-011-45-14
23	1	Fitting, 1" Straight	05975-011-70-75
24	2	Fitting, 1/2" Straight	05975-011-45-13
25	2	Plug, Heyco, 2700 G-875	05975-011-47-81
26	2	Bushing, Heyco	05975-210-09-00
27	1	Grommet, 1/2" OD x 3/8" ID	05325-011-46-73
	1	Fuse (460V Models) (Not Shown)	05920-011-72-88
	1	Fuse (600V Models) (Not Shown)	05920-002-75-95
	1	Fuse Holder (460-600V Models)(Not Shown)	05920-011-72-89
28	1	Decal, Front	09905-002-97-75



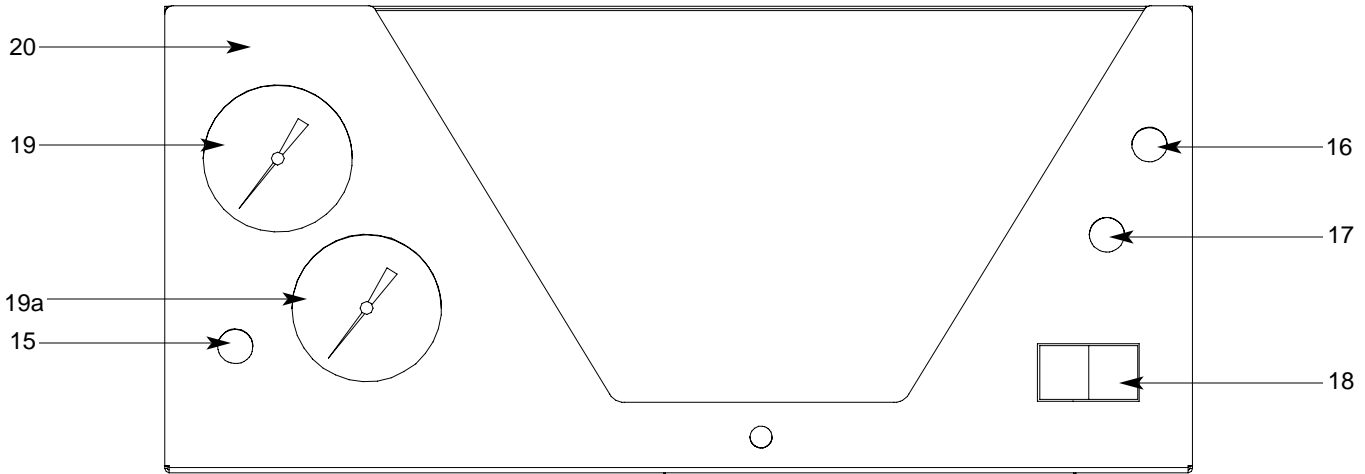
SECTION 5: PARTS SECTION
TS-66/TSC-66 CONTROL BOX ASSEMBLY



Items not shown but available as service parts:

ITEM	QTY	DESCRIPTION	Mfg. No.
	1	Control Box Legs	05700-011-71-47
	1	Din Rail, Cut to 5-3/4" Long	05700-021-72-75
	1	Control Box Cover	05700-002-08-13
	2	Cotter Pin	05315-207-01-00

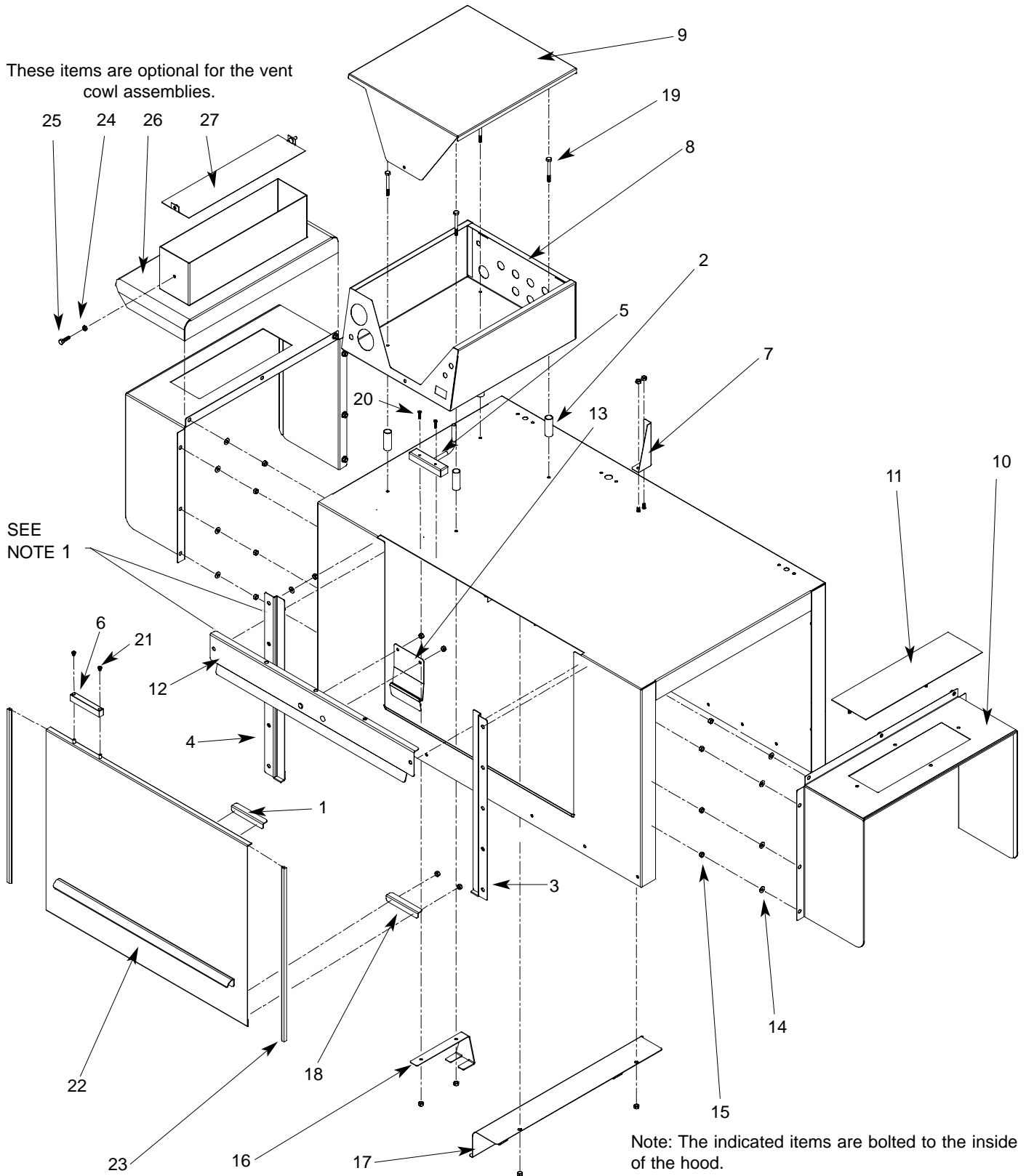
SECTION 5: PARTS SECTION
TS-66/TSC-66 CONTROL BOX ASSEMBLY (CONTINUED)



ITEM	QTY	DESCRIPTION	Mfg. No.
1	1	Electrical Box Weldment	05700-002-03-27
2	1	Heater Contactor	05945-002-24-70
3	1	Drive Motor Overload	05945-111-68-39
	1	Drive Motor Overload (460-600V Models Only)	05945-111-69-12
4	1	Wash Motor Overload	05945-111-68-40
	1	Wash Motor Overload (460-600V Models Only)	05945-111-68-41
5	1	Prewash Motor Overload	05945-111-68-41
	1	Prewash Motor Overload (460-600V Models Only)	05945-111-69-13
6	1	Master Switch	05930-301-22-18
7	1	Fuse Holder (460V Models Only)	05920-011-72-89
	1	Fuse (460V Models Only)	05920-011-72-88
	1	Fuse (600V Models) (Not Shown)	05920-002-75-95
8	1	Terminal Block	05940-011-48-27
9	3	Motor Contactor	05945-111-68-38
10	1	Transformer (TS-66/TSC-66)	05950-011-68-35
	1	Transformer (TS-66GP/TSC-66GP)	05950-011-46-10
	1	Transformer (TS-44/TSC-44 600V MODELS)	05950-002-23-77
11	1	Terminal Board	05940-021-89-41
12	1	Terminal Board	05940-002-78-97
13	1	Top Mount Relay	05945-111-72-51
14	3	Control Relay	05945-111-35-19
15	1	Circuit Breaker (TS-66/TSC-66 208-230V Only)	05925-011-68-34
15	1	Circuit Breaker (TS-66GP/TSC-66GP208-230V Only)	05925-111-64-18
16	1	Light, Amber (TS-66/TSC-66 Only)	05945-111-44-44
17	1	Light, Red	05945-111-44-45
18	1	Manual Wash Switch	05930-301-46-00
19	1	Rinse Thermometer	06685-111-68-49
	1	Decal, 180°F Rinse	09905-002-97-62
19a	1	Wash Thermometer	06685-111-68-49
	1	Decal, 160°F Wash	09905-003-00-69
20	1	Decal, Front	09905-002-97-75

SECTION 5: PARTS SECTION
TS-44/TSC-44 DOOR AND HOOD ASSEMBLY

These items are optional for the vent cowl assemblies.



SEE NOTE 1

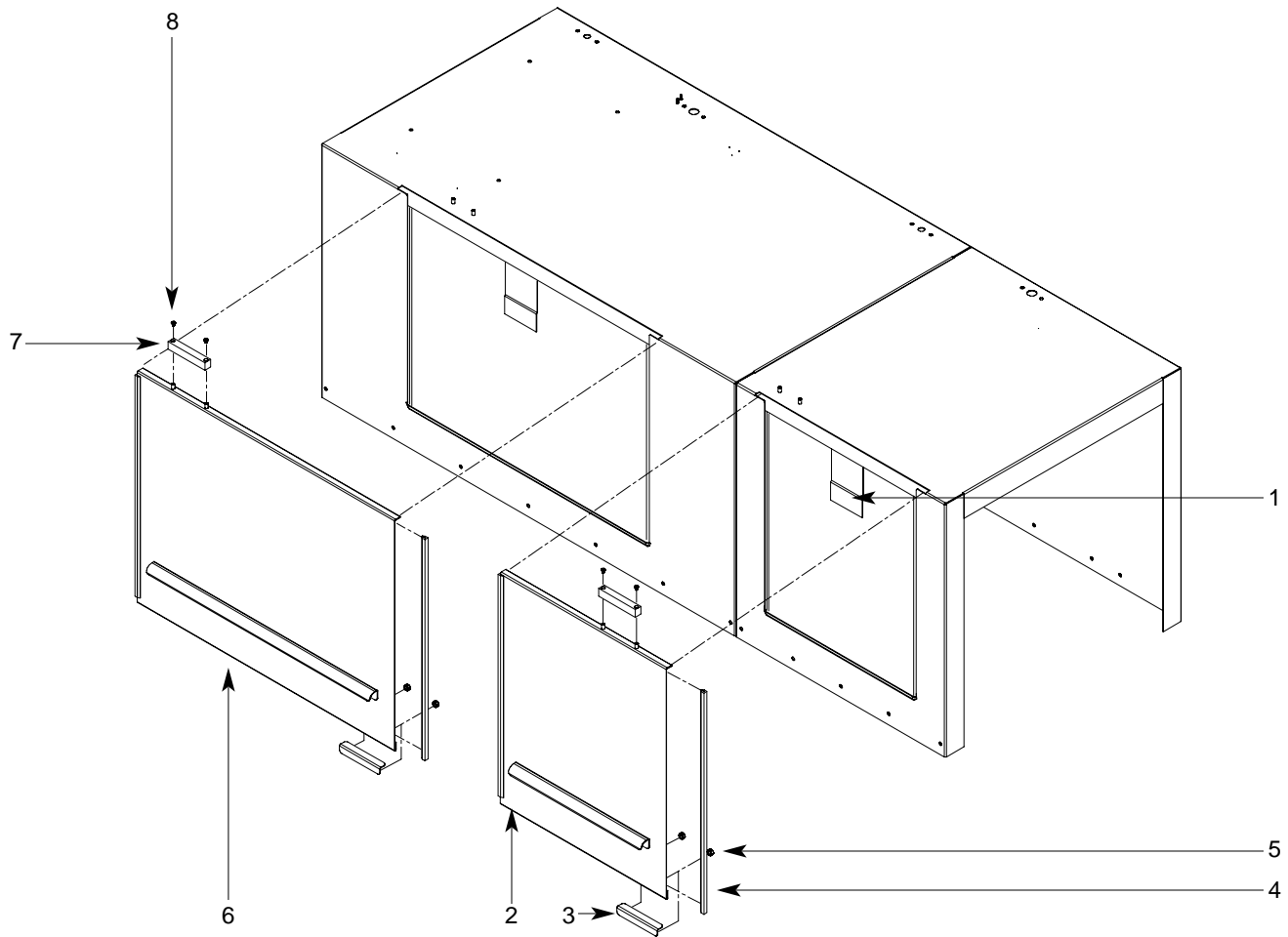
Note: The indicated items are bolted to the inside of the hood.

SECTION 5: PARTS SECTION

TS-44/TSC-44 DOOR AND HOOD ASSEMBLY (CONTINUED)

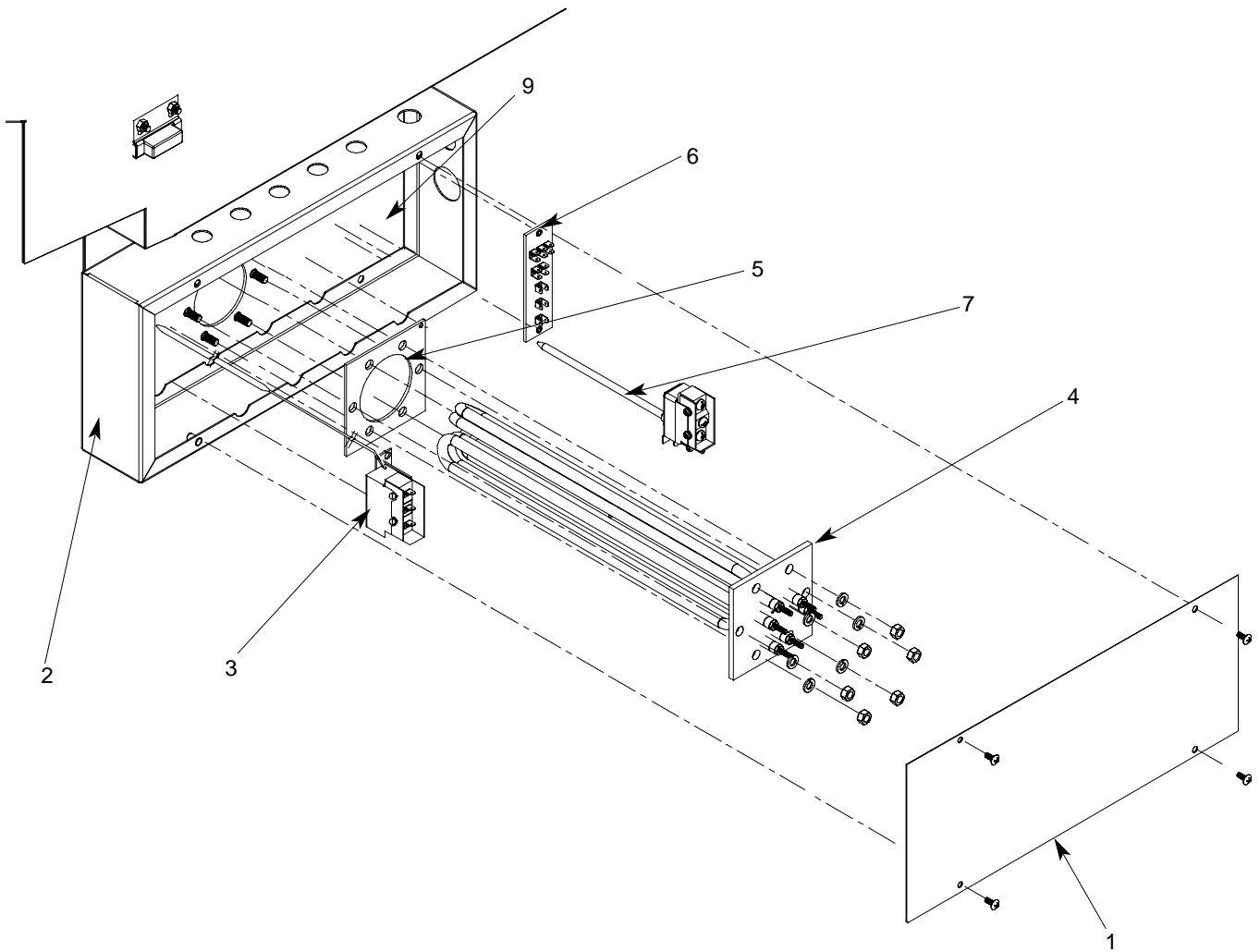
ITEM	QTY	DESCRIPTION	Mfg. No.
1	2	Left Door Stop Weldment	05700-002-96-32
2	4	Legs, Electrical Box	05700-011-71-47
3	1	Door Guide, Right	05700-002-03-44
4	1	Door Guide, Left	05700-002-03-14
5	1	Switch Box Weldment	05700-002-03-30
6	1	Magnet, Reed Switch	05700-111-51-68
7	1	Plumbing Support Bracket	05700-002-05-01
8	1	Control Box Weldment	05700-002-03-27
9	1	Control Box Cover	05700-002-08-13
10	2	Vent Cowl (Optional)	05700-002-03-12
11	2	Cover, Vent Cowl (With studs) (Optional)	05700-011-74-67
12	1	Support, Door	05700-002-03-45
13	1	Door Catch	05700-002-03-15
14	32	Washer, S/S, 1/4"-20	05311-174-01-00
15	56	Locknut, 1/4"-20 with Nylon Insert	05310-374-01-00
16	1	Upper Wash Arm Bracket	05700-021-73-97
17	1	Splash Shield Weldment	05700-002-03-54
18	1	Right Door Stop Weldment	05700-002-96-33
19	4	Bolt, 1/4"-20 x 2-1/2" Long	05306-011-83-52
20	2	Screw, 8-32 x 3/4" Binder Phillipshead	05305-011-72-66
21	2	Screw, 8-32 x 1/4" Phillips Panhead	05305-172-09-00
22	1	Door Weldment	05700-002-94-04
23	2	Door Glide	05700-002-03-28
24	2	Nut, 1/4"-20, Hex (Optional)	05310-274-01-00
25	2	Screw, 1/4"-20 x 1" Long, S/S Tap (Optional)	05305-274-27-00
26	2	Vent Scoop (Optional)	05700-002-12-18
27	2	Baffle (Optional)	05700-002-11-47

SECTION 5: PARTS SECTION
TS-66/TSC-66 DOOR AND HOOD ASSEMBLY



ITEM	QTY	DESCRIPTION	Mfg. No.
1	2	Door Catch Weldment	05700-031-84-80
2	1	Prewash Door Weldment Left to Right	05700-003-13-42
		Right to Left	05700-003-13-40
3	1	Right Door Stop	05700-002-96-33
4	4	Door Guide	05700-002-03-28
5	4	Locknut, 1/4"-20 with Nylon Insert	05310-374-01-00
6	1	Wash Door Weldment	05700-002-94-04
7	2	Door Switch Magnet	05700-011-73-67
8	4	Screw, 8-32 x 1/4" Long	05305-172-09-00
9	1	Right Door Guide Weldment (Not Shown)	05700-031-76-44
10	1	Right Door Stop (Not Shown)	05700-002-96-32
11	1	Wash Door Hood Support (Not Shown)	05700-031-84-13
12	1	Prewash Door Hood Support (Not Shown)	05700-031-84-14
13	1	Left Door Guide Weldment (Not Shown)	05700-002-03-14
14	1	Splash Shield Weldment (Not Shown)	05700-003-01-63

SECTION 5: PARTS SECTION
TS-44/66 & TSC-44/66 HEATER BOX ASSEMBLY



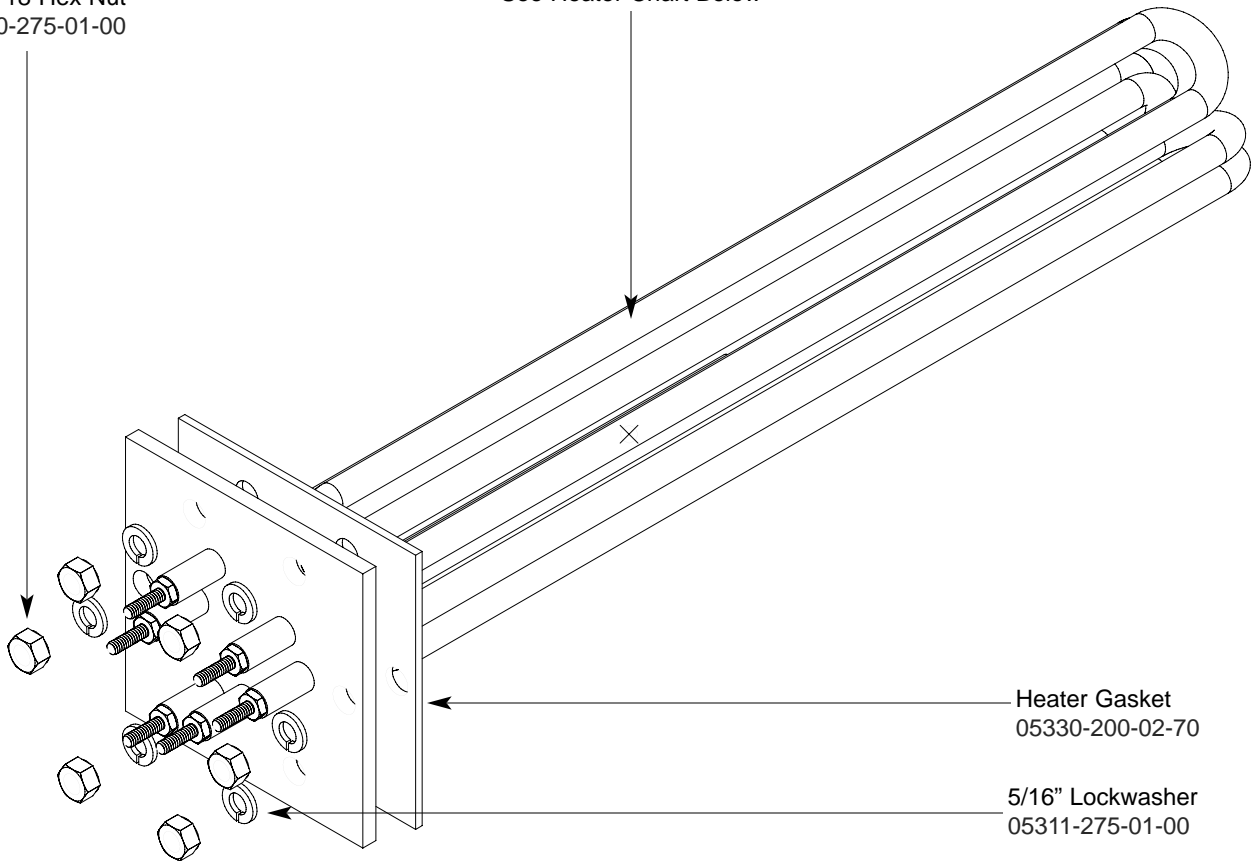
ITEM	QTY	DESCRIPTION	Mfg. No.
1	1	Heater Box Cover	05700-002-02-04
2	1	Heater Box Weldment	05700-002-98-38
3	1	Thermostat, High Limit	05930-011-49-43
	1	Decal, High Limit	09905-011-84-32
	1	Fitting, 1/4", Imperial Brass	05310-924-02-05
4	1	See Next Page	N/A
5	1	Gasket	05330-200-02-70
6	1	Terminal Board	05940-002-78-97
7	1	Wash Thermostat Replacement Kit	06401-003-18-20

SECTION 5: PARTS SECTION

TS-44/66 & TSC-44/66 HEATER BOX ASSEMBLY (CONTINUED)

5/16"-18 Hex Nut
05310-275-01-00

See Heater Chart Below



Heater Gasket
05330-200-02-70

5/16" Lockwasher
05311-275-01-00

Heater Chart

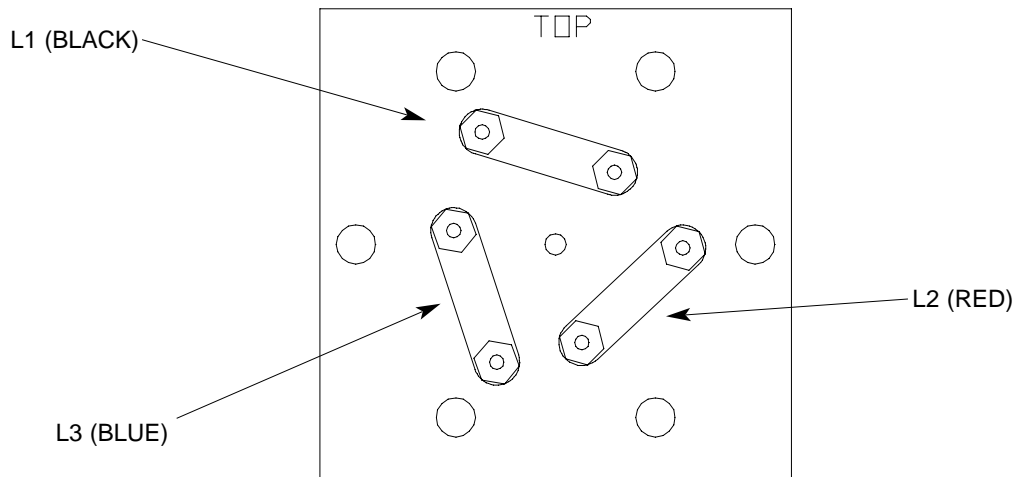
<u>Model</u>	<u>Volts</u>	<u>Phase</u>	<u>KW</u>	<u>Mfg. Number</u>
TS-44/TSC-44	208	1	15	04540-121-68-45
	230	1	15	04540-121-68-46
	208	3	15	04540-121-68-45
	230	3	15	04540-121-68-46
	460	3	15	04540-121-68-47
	600	3	15	04540-002-39-93
TS-66/TSC-66	208	1	15	04540-121-68-45
	230	1	15	04540-121-68-46
	208	3	15	04540-121-68-45
	230	3	15	04540-121-68-46
	460	3	15	04540-121-68-47
	600	3	15	04540-002-39-93

SERVICE NOTE: When replacing the tub heaters, it is **HIGHLY** recommended that you also change out the gasket as well. Once install, gaskets become compressed and are subjected to extreme temperature changes. Replacing the gasket with a new one when replacing the heater may prevent future leaks.

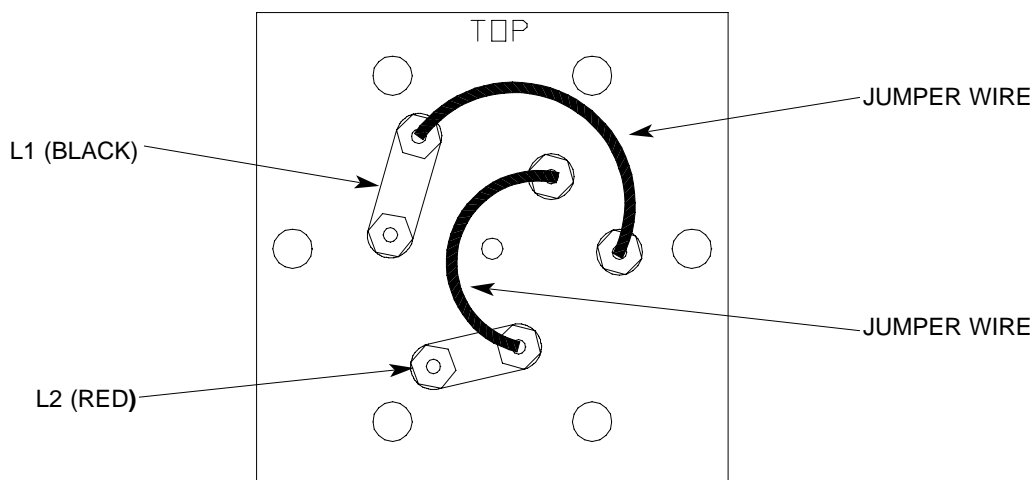
SERVICE NOTE: The nuts used to secure the heater to the tub should be torqued to 16 in-lbs. After tightening, the unit should be allowed to heat up and operate normally for approximately 30 minutes. Secure power to the machine and check the nuts once more to ensure that they are torqued to 16 in-lbs.

SECTION 5: PARTS SECTION

TS-44/66 & TSC-44/66 HEATER BOX ASSEMBLY (CONTINUED)



BUS BAR AND LEAD LOCATIONS FOR WASH HEATER TO BE WIRED FOR 3 PHASE AC.



BUS BAR, JUMPER WIRES AND LEAD LOCATIONS FOR WASH HEATER TO BE WIRED FOR 1 PHASE AC.

The wash tank heater system is electrically connected in the circuit so that they are dependent upon the dishwasher being properly filled with and maintaining a safe water level, two thermostats (mounted in the heater box behind the dress panel), float switch (mounted in the wash tank), and the heater relay (mounted in control box) with the heater being activated by the thermostats.

Once the dishwasher has been filled to the correct level, the heater should operate automatically. Should the tank heat be too high, too low or no indication of temperatures at all, the following checkout should be made.

Note: The following checkout should be made by either a qualified service person or electrician.

A- Checkout of the heater system

- 1- If the temperature is too high, adjust thermostat using instructions in the section entitled "Thermostats".
- 2- If temperature is too low, adjust thermostat as above, then:
 - a - Turn off power to machine by placing customer's circuit breaker in the "OFF" position. Turn off machine circuit breaker located on right side of control box.
 - b - Remove cover from control box on top of dishwasher.

SECTION 5: PARTS SECTION

TS-44/TSC-44 HEATER BOX ASSEMBLY (CONTINUED)

- c - Make sure water temperature is below 140°F.(preferably about 130°F).
- d - Turn on both circuit breakers. Observe heater relay (R1) while the power switch is turned "ON" and "OFF". If relay contacts move in and out, the heater relay is operating correctly: if not proceed to "C".

B- If heater relay (R1) closes:

- 1 - Check power supply at incoming terminal board L1, L2 & L3. It should be the same voltage as indicated on the machine data plate.
- 2 - Check power at connections on heater relay (R1). The voltage should agree with the voltage on the machine data plate. If not, check wires for breaks or bad connections.
- 3 - Check power at terminals of heater which should agree with the data plate. If not check wires for breaks or bad connections.
- 4 - Temperatures should rise as explained in "C-1", and amperage may be checked according to those instructions. Replace any defective elements.

C - If heater relay (R1) does not close.

- 1 - There is an insulated movable insulated movable bar on relay across the top. With an insulated probe, depress this bar and observe the thermometer: the temperature should rise noticeably in a minute or two. If it moves slowly, it would indicate that the element is faulty. If it moves constantly higher at a good rate, elements should be good.



Note: A check with an amp probe at heater relay (R1) terminals should be made to verify the amp draw on each leg. This should be appropriate for the voltage and phase indicated on the data plate.

HEATER PROTECTION & AUTOMATIC FILL

This control is activated when the power switch is turned "ON". The primary function is to automatically energize the wash tank heat circuit. It will also cutoff the wash tank heat circuit should the water be accidentally drained from the machine with the power switch still "ON". The power switch should always be turned-off before draining the unit.

This water level control consists of two (2) floats that operate when the power switch is turned on and works in conjunction with the thermostats and heater relays.

When the power switch is turned "ON" water starts to enter the dishmachine. When it reaches the proper level the normally open contacts in the water level float switch close activating the heating circuit for tank heat.

If the water level below the correct level while power is still on, the float switch will sense the lack of water and de-activate the heater.

THERMOSTATS

The thermostat range is from 140°F to 240°F with a maximum bulb exposure temperature of 300°F.

Calibration:

Wash Thermostat: Set Point: 165°F (Adjustable range)

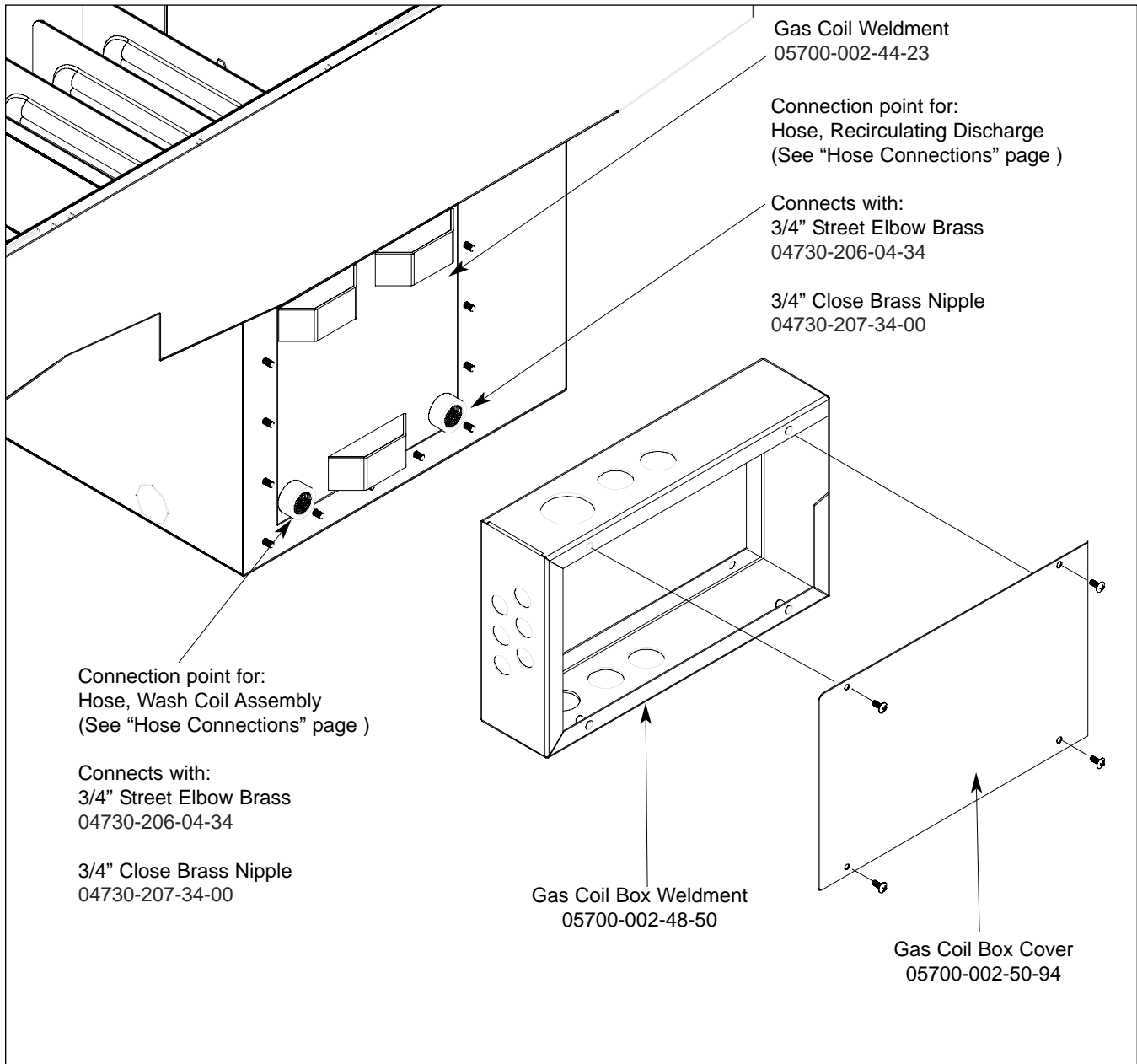
Hi-Limit Thermostat: Fixed set point: 210°F (Non-adjustable)

The hi-limit thermostat is used to protect the heater element in the event of a run away regulating thermostat or a dry fire situation. It is set for 210°F +0°F or -10°F with a fixed set point. **This part is not adjustable.**

The wash tank regulating thermostat will maintain the correct wash water temperature to meet NSF requirements. These specify that the wash be no lower than 140°F on chemical sanitizing models and no lower than 160°F on hot water sanitizing machines.

SECTION 5: PARTS SECTION

TS-44GP/TSC-44GP & TS-66GP/TSC-66GP GAS COIL ASSEMBLY

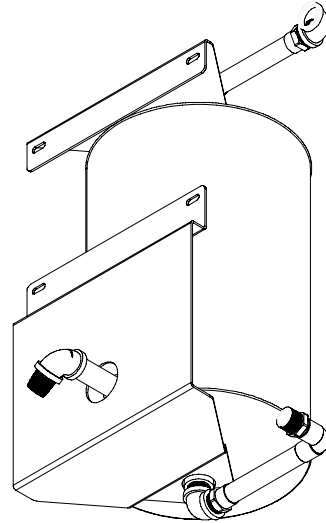
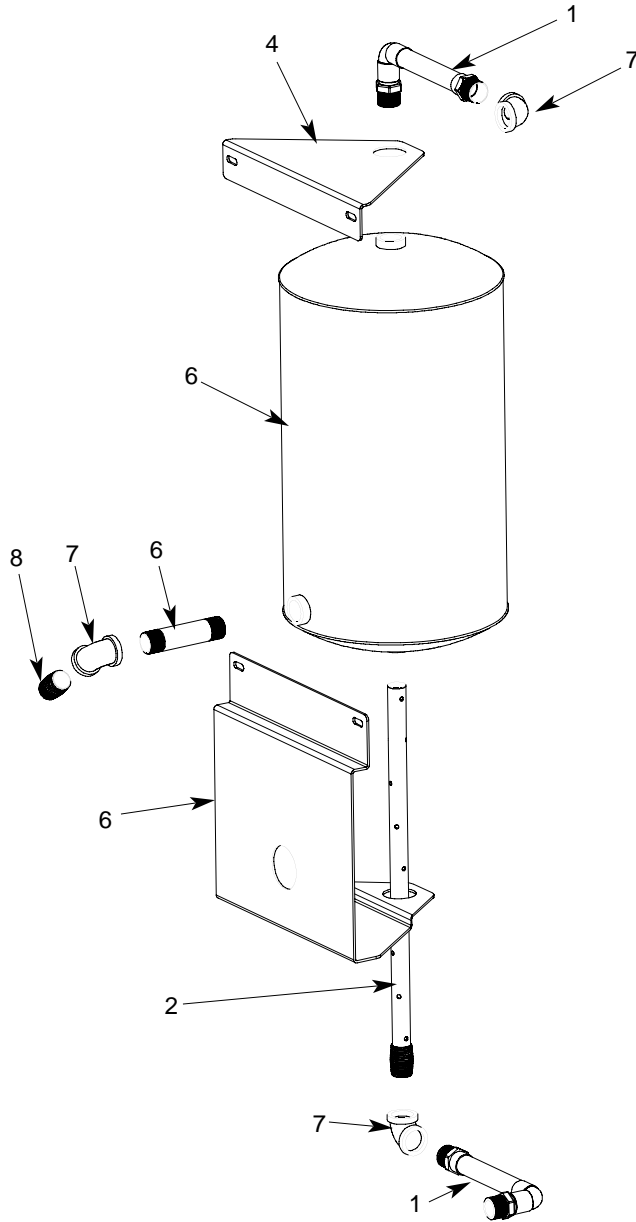


Other items used but not shown.

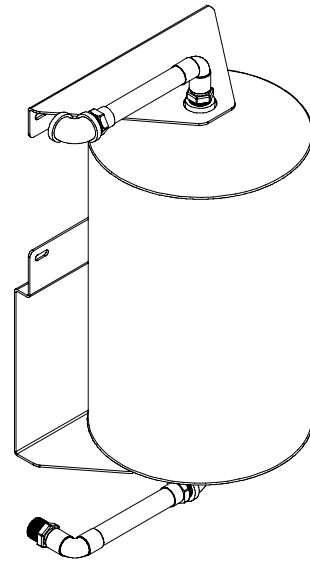
ITEM	QTY	DESCRIPTION	Mfg. No.
1	1	Thermostat, High Limit	05930-011-49-43
	1	Fitting, 1/4", Imperial Brass	05310-924-02-05
2	1	Gasket	05330-200-02-70
3	1	Terminal Board	05940-002-78-97
4	1	Thermostat Bracket	05700-011-81-64
5	1	Decal, Thermostat Regulating	09905-011-84-31
6	1	Thermostat, Wash Regulating	06401-140-00-32

SECTION 5: PARTS SECTION

TANK, RINSE BOOSTER (TS-44GP/TSC-44GP & TS-66GP/TSC-66GP)



BOTTOM ANGLED VIEW



TOP ANGLED VIEW

ITEM	QTY	DESCRIPTION	Mfg. No.
1	2	Plumbing Assembly, Inlet/Discharge, Rinse Tank	05700-002-51-24
2	1	Tube, Dispersion Weldment	05700-002-46-16
3	1	Tank, GP Rinse	05700-002-45-05
4	1	Bracket, Upper Rinse Tank	05700-002-67-13
5	1	Bracket, Lower Rinse Tank	05700-002-67-14
6	1	Nipple, 3/4" NPT x 4" Long	04730-207-05-00
7	3	Elbow, 3/4" NPT, 90° Brass	04730-206-13-00
8	1	Nipple, 3/4" NPT x Closed Brass	04730-207-34-00

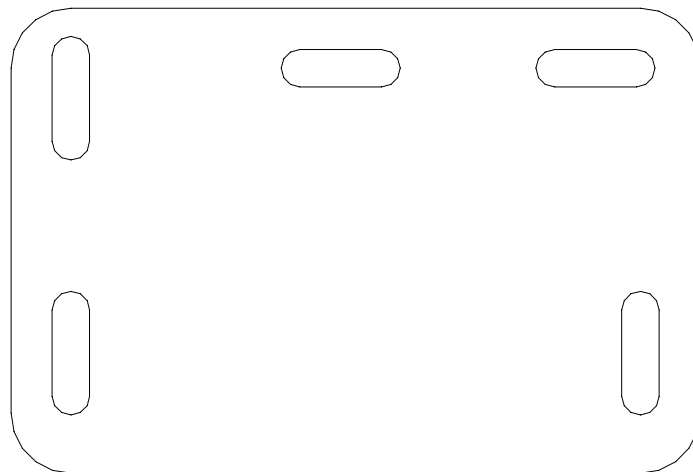
SECTION 5: PARTS SECTION

RECIRCULATING PUMP ASSEMBLY (TS-44GP/TSC-44GP & TS-66GP/TSC-66GP)

Elbow, 3/4" 90° Brass
2 per
04730-207-34-00

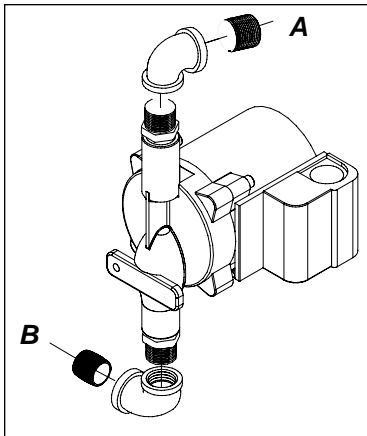
Pump, Recirculating
05700-002-81-22

Nipple, 3/4" Close Brass
2 per
04730-207-34-00

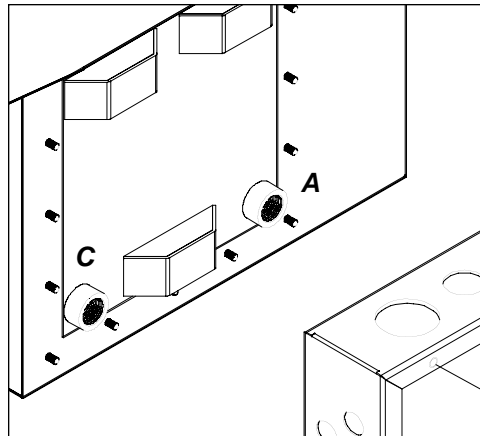


Mounting Bracket
05700-002-25-74

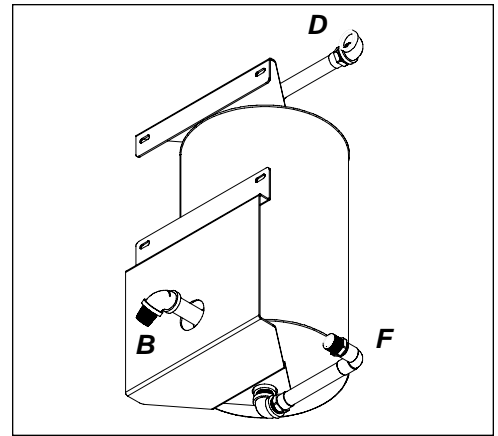
SECTION 5: PARTS SECTION
HOSE CONNECTIONS (GP MODELS ONLY)



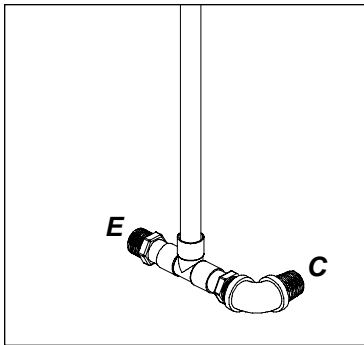
Recirculating Pump Assembly



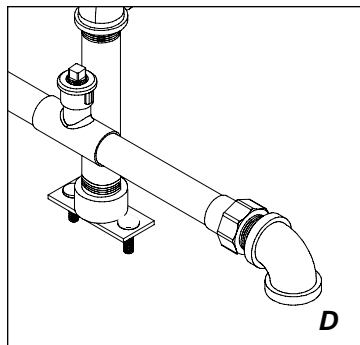
Gas Coil Weldment



Rinse Booster Tank



Rinse Header Plumbing Assembly



Wash/Fill Plumbing Assembly

HOSE ASSEMBLIES

TS-44CGP

TS-66CGP

*Each hose assembly includes 2, 3/4" Pushlock Fittings part number 4730-011-94-00.

A - Hose, Recirculating Discharge	05700-002-96-57	05700-002-52-74
B - Hose, Recirculating Pump Suction	05700-002-96-55	05700-002-52-75
C - Hose, Wash Coil Assembly	05700-002-52-76	05700-002-57-58
D - Hose, Wash/Fill Supply	05700-002-96-52	05700-002-57-58

E - Hose connection to existing gas booster outlet fitting.

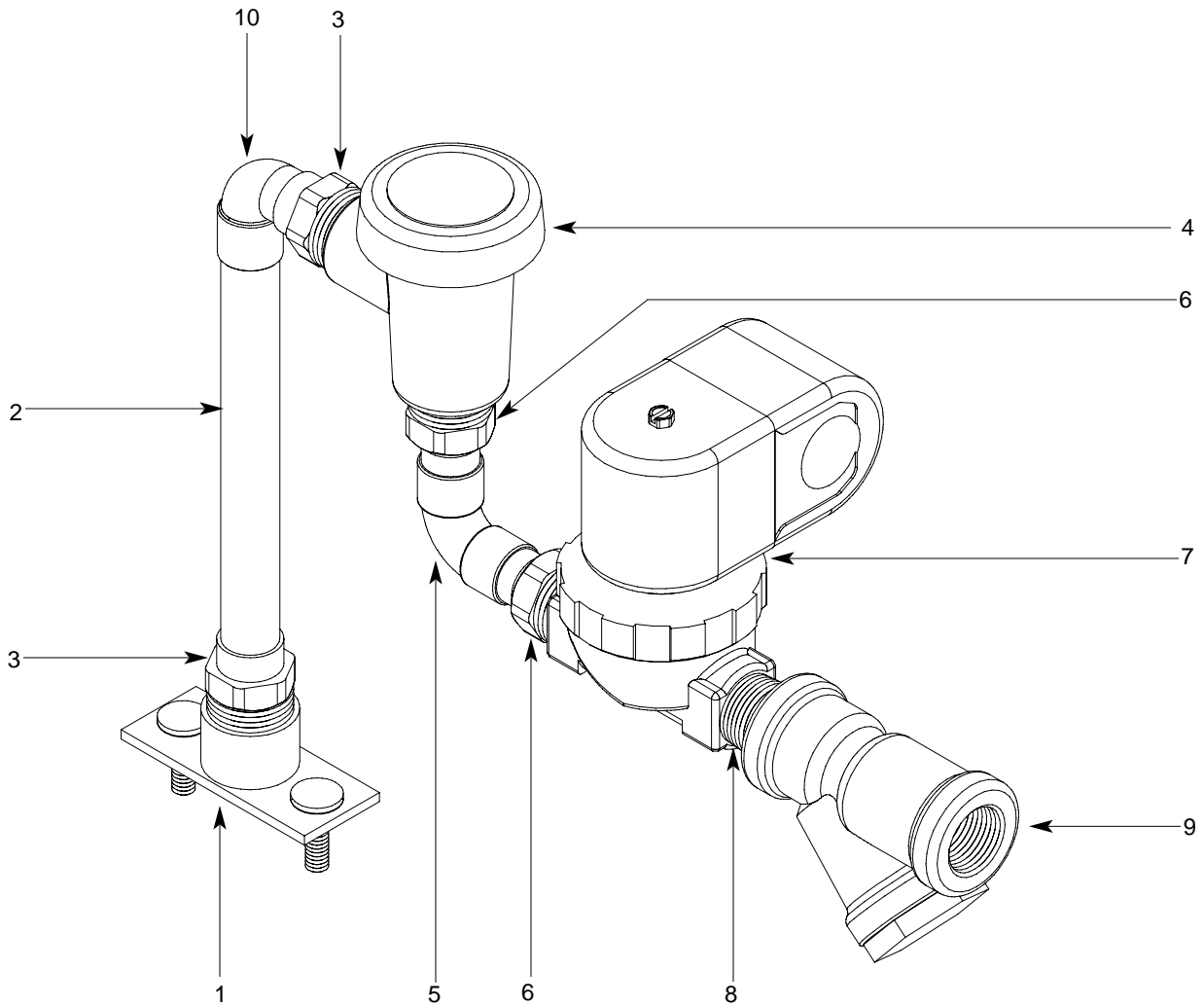
F - Hose connection to existing gas booster inlet fitting.

Gas Booster Connection Kit 05700-002-96-59 includes:

- 18 Feet of 3/4" Hose
- 4 - 3/4" Push Lock Fittings

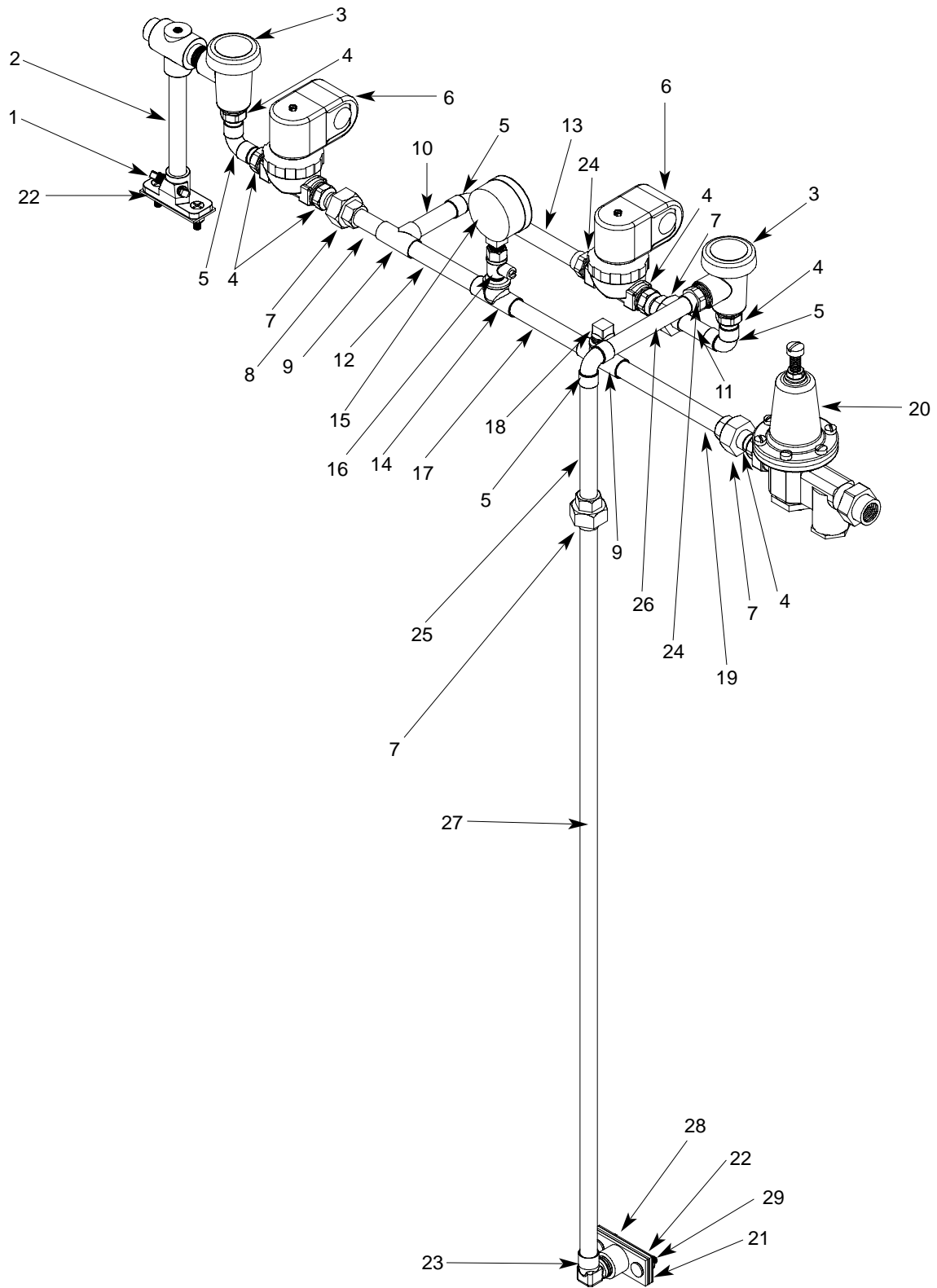
SECTION 5: PARTS SECTION

PREWASH INCOMING PLUMBING ASSEMBLY (TS-66/TSC-66 MODELS ONLY)



ITEM	QTY	DESCRIPTION	Mfg. No.
1	1	Fill Line Injector Weldment	05700-002-04-71
2	1	Tube, Copper, 1/2" x 5.645" Long	05700-002-04-90
3	2	Adapter, Male	04730-401-03-01
4	1	Vacuum Breaker	04820-003-06-13
5	1	Elbow, 607, 1/2" CTOC	04730-406-01-01
6	2	Adapter, 1/2" FTG x Male	04730-011-59-53
7	1	Valve, Solenoid, 1/2" NPT, 110 Volt	04810-100-12-18
8	1	Nipple, 1/2", Close, Brass	04730-207-15-00
9	1	Y-Strainer, 1/2" NPT	04730-217-01-10
10	1	Elbow, 1/2" S. CU to Ftg.	04730-406-31-01

SECTION 5: PARTS SECTION
INCOMING RINSE PLUMBING ASSEMBLIES

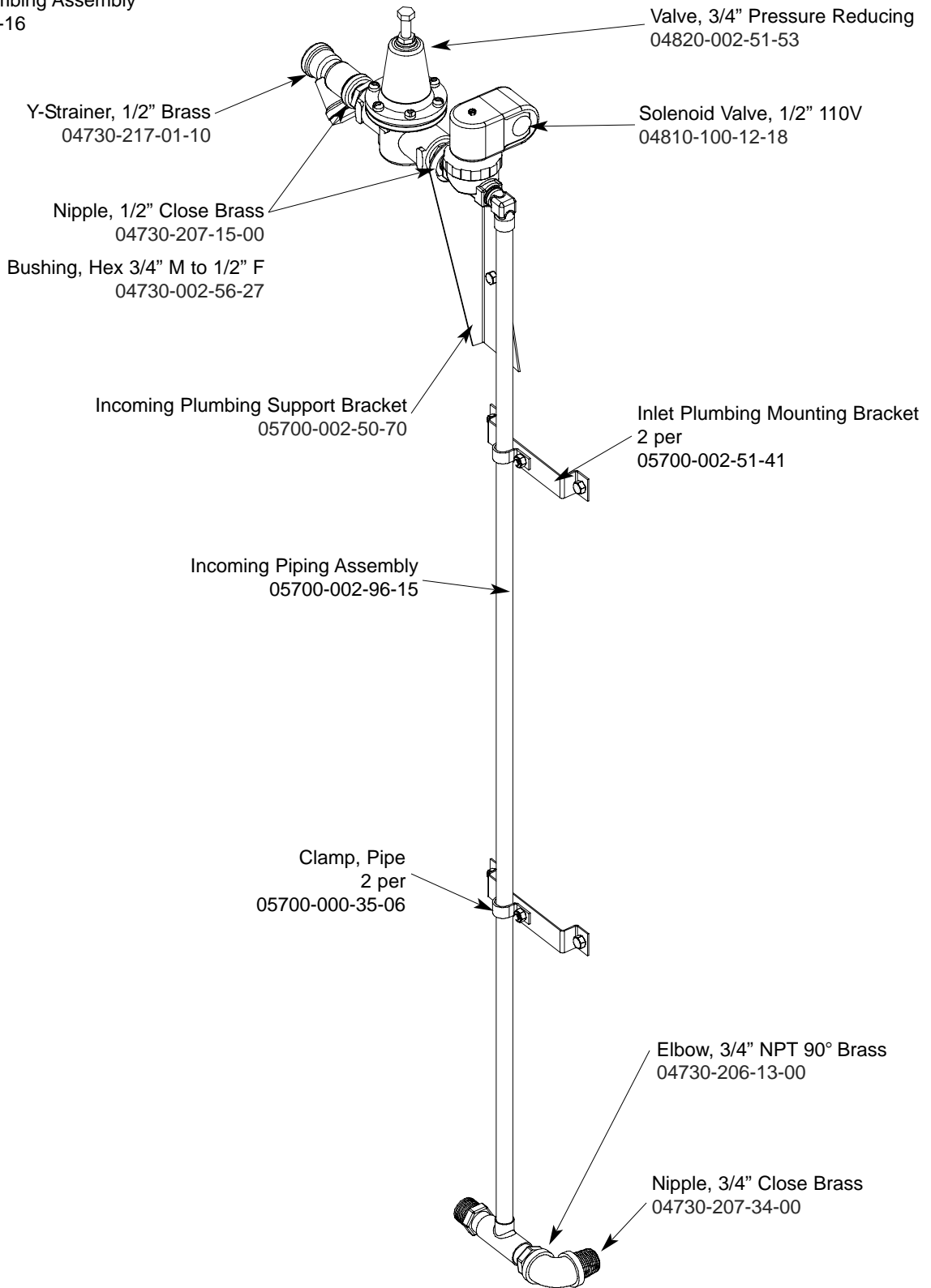


SECTION 5: PARTS SECTION
INCOMING PLUMBING ASSEMBLY (CONTINUED)

ITEM	QTY	DESCRIPTION	Mfg. No.
1	2	Plug, 1/8" NPT, Brass	04730-209-07-37
2	1	Rinse Injector Weldment	05700-002-03-42
	1	Gasket	05330-111-42-81
3	2	Vacuum Breaker, 1/2" NPT	04820-003-06-13
4	6	Adapter, 1/2" Fitting x Male	04730-011-59-53
5	3	Elbow, 607, 1/2" Copper to Copper	04730-406-01-01
6	2	Valve, Solenoid, 1/2" NPT, 110 Volt	04810-100-12-18
7	4	Union, 1/2", Copper to Copper	04730-412-05-01
7A	1	Restrictor, Rinse Flow (TSC models only)	05700-002-96-13
8	1	Tube, Copper, 1/2" x 2" Long	05700-001-04-66
9	1	Tee, Copper, 1/2"	04730-411-01-01
10	1	Tube, Copper, 1/2" x 3.06" Long	05700-002-04-91
11	1	Tube, Copper, 1/2" x 2.08" Long	05700-002-04-88
12	1	Tube, Copper, 1/2" x 4" Long	05700-002-04-87
13	1	Tube, Copper, 1/2" x 5.27" Long	05700-002-04-92
14	2	Tee, 1/2" x 1/2" x 1/4"	04730-411-25-01
15	1	Gauge, Pressure, 0-100 PSI	06685-111-88-34
	1	Decal, 15-25 PSI	09905-002-97-74
16	1	Test Cock, Valve, Ball, 1/4" NPT	04810-011-72-67
17	1	Tube, Copper, 1/2" x 4.185" Long	05700-002-04-89
18	1	Plug, 1/4" NPT, Brass	04730-209-01-00
19	1	Tube, Copper, 1/2" x 5.92" Long	05700-002-04-93
20	1	Regulator, Watts, 1/2" (Not used on GP units)	04820-100-04-07
20	1	Elbow, 90°, 1/2" Street Brass (GP units only)	04730-206-08-00
21	1	Fill Line Injector Weldment	05700-002-04-71
22	2	Gasket	05330-111-42-81
23	1	Elbow, 90° 1/2" Copper to MSPS	04730-406-32-01
24	2	Adapter, Male	04730-401-03-01
25	1	Tube, Copper, 1/2" x 5.75" Long	05700-002-91-03
26	1	Tube, Copper, 1/2" x 4.75" Long	05700-002-91-02
27	1	Tube, Copper, 1/2" x 33" Long	05700-002-91-04
28	1	Plate, Deflector	05700-002-62-49
29	1	Plate, Rinse Plumbing	05700-011-82-86

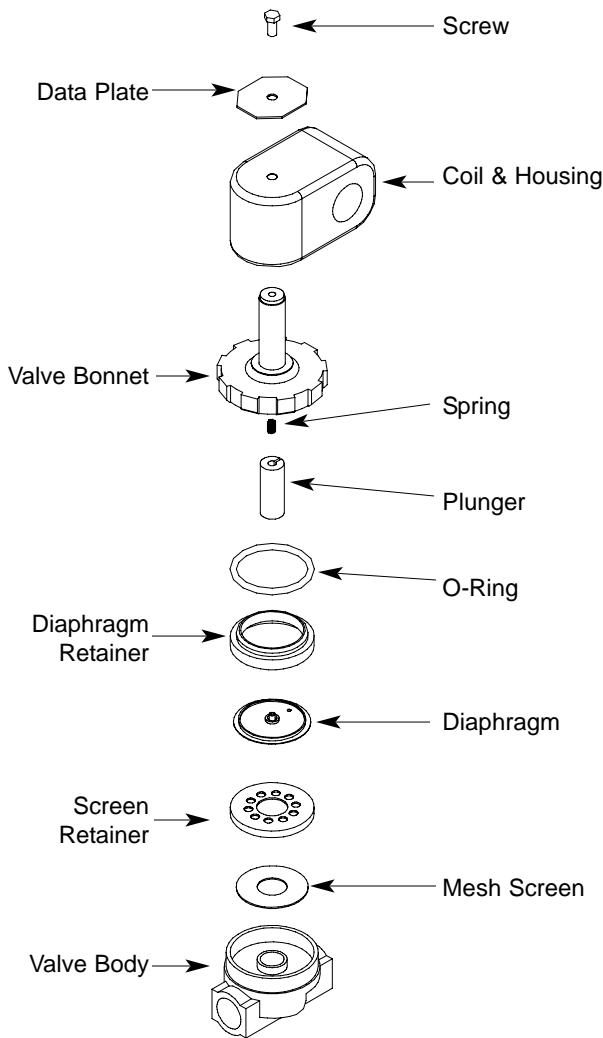
SECTION 5: PARTS SECTION
INCOMING PLUMBING ASSEMBLY (GP UNITS ONLY)

Complete Plumbing Assembly
05700-002-96-16



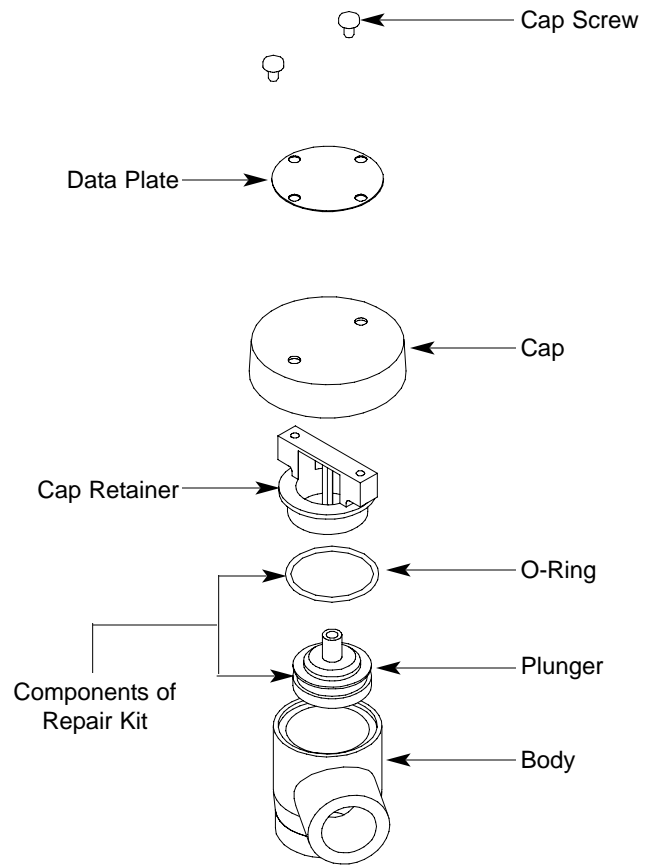
SECTION 5: PARTS SECTION

RINSE SOLENOID VALVE & VACUUM BREAKER REPAIR PARTS KITS



SPECIAL PARTS

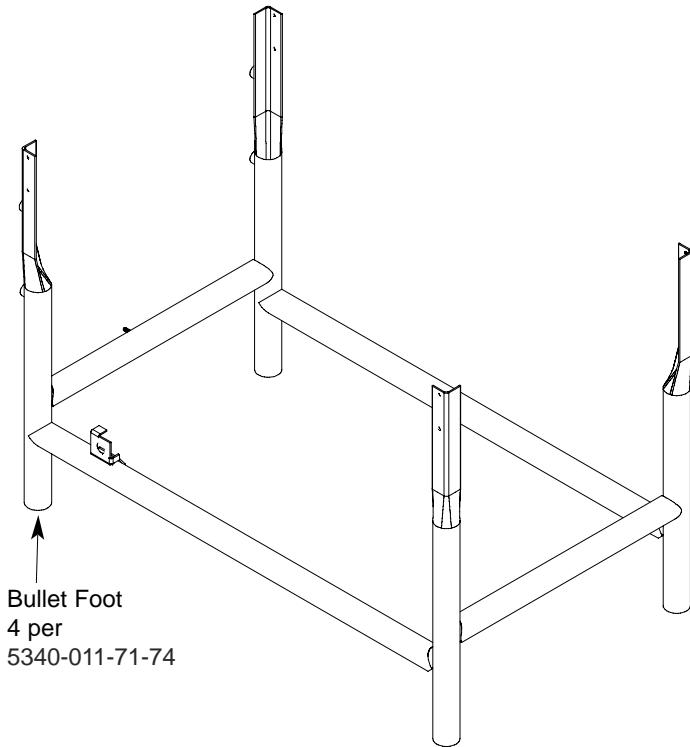
- Solenoid Valve Plunger Kit
Includes plunger and spring
Part number 06401-003-07-40
- Solenoid Valve Diaphragm Kit
Includes diaphragm and o-ring
Part number 06401-003-07-41 (1/2" NPT)
- Solenoid Valve 110 Volt Coil and Housing Kit
Part number 06401-003-07-43
- Complete Solenoid Valve
Part number 04810-100-12-18 (1/2", 110 Volt)



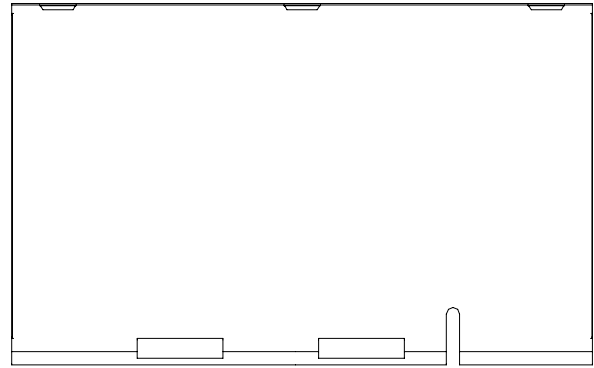
SPECIAL PARTS

- Vacuum breaker repair kit:
For 1/2" NPT order 06401-003-06-23
- Complete Vacuum Breaker Assembly
Part number 04820-003-06-13 (1/2")

SECTION 5: PARTS SECTION
FRAME WELDEMNTS/DRESS PANELS



FRAME WELDMENT



DRESS PANEL WELDMENT

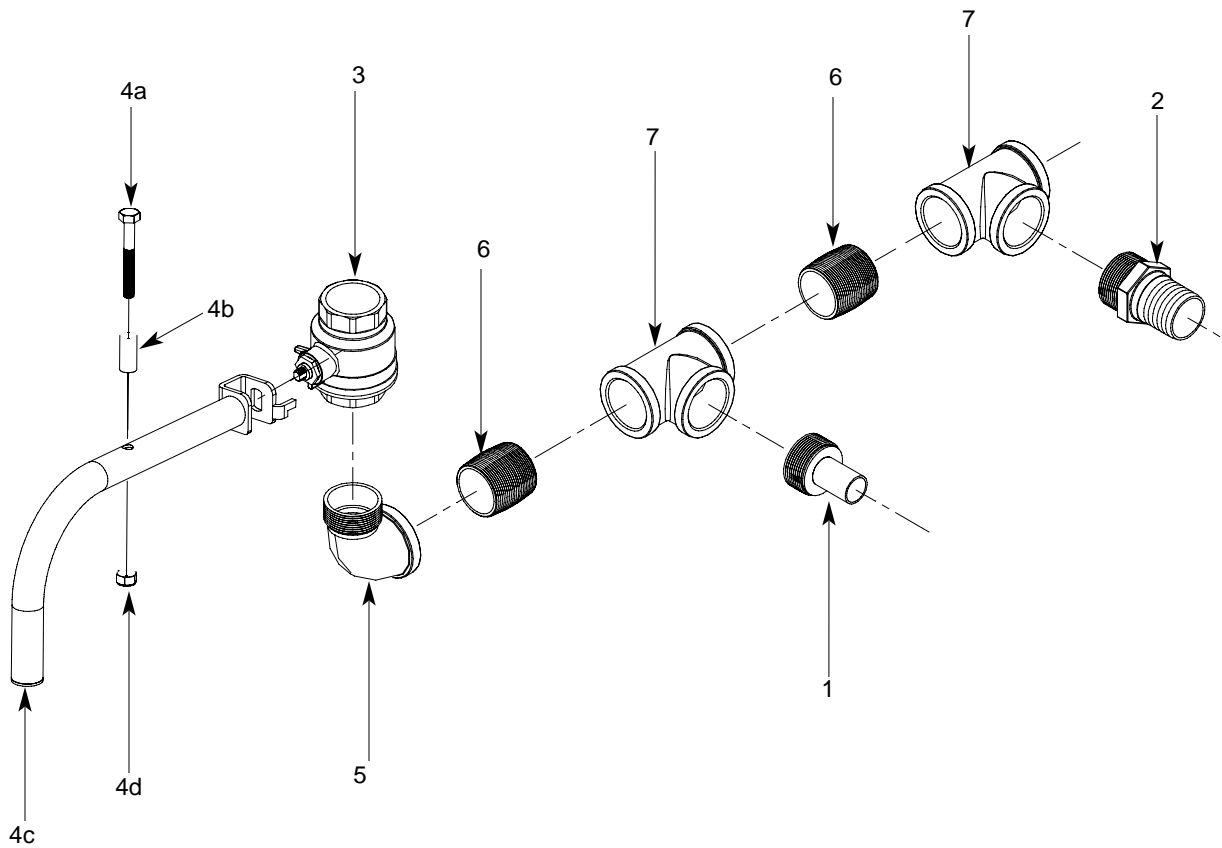
FRAME WELDMENTS

<u>Model</u>	<u>Left to Right Part Number</u>	<u>Right to Left Part Number</u>
TS/TSC-44's	05700-031-67-15	05700-031-67-15
TS-TSC-44CGP's	N/A	05700-002-52-70
TS/TSC-66's	05700-002-49-28	N/A
TS/TSC-66CGP's	05700-002-49-28	05700-002-57-57

FRONT DRESS PANELS

<u>Model</u>	<u>Left to Right Part Number</u>	<u>Right to Left Part Number</u>
TS/TSC-44's	05700-031-72-22	05700-031-72-22
TS/TSC-44CGP	N/A	05700-002-52-77
TS/TSC-66's	05700-002-51-22	N/A
TS/TSC-66CGP's	05700-002-57-84	05700-002-57-84

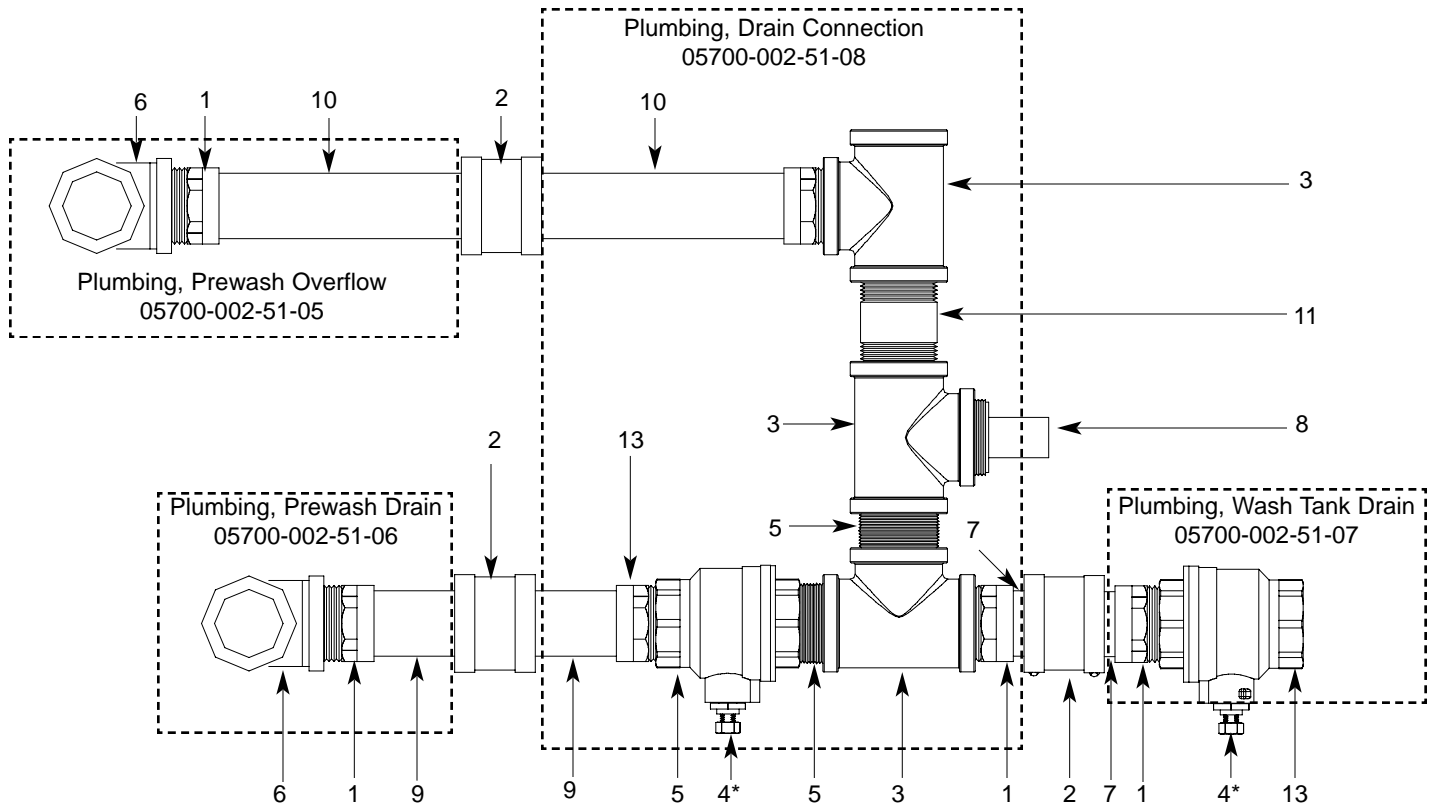
SECTION 5: PARTS SECTION
TS-44/TSC-44 DRAIN PLUMBING ASSEMBLY



ITEM	QTY	DESCRIPTION	Mfg. No.
1	1	Rinse Nipple Weldment	05700-021-84-61
2	1	Barb, 1-1/2" NPT x 1-1/2" Barb	04730-011-69-92
3	1	Ball Valve, 1-1/2" NPT	04820-111-71-46
4	1	Ball Valve Handle Assembly	05700-021-84-74
4a	1	Bolt, 1/4"-20 x 2" Long	05306-011-84-72
4b	1	Sleeve	05700-000-01-53
4c	1	Ball Valve Handle Weldment	05700-021-70-54
4d	1	Locknut, 1/4"-20 with Nylon Insert	05310-374-01-00
5	1	Elbow, Brass, Street, 1-1/2" NPT	04730-206-32-00
6	2	Nipple, Brass, Close, 1-1/2" NPT	04730-207-40-00
7	2	Tee, Brass, 1-1/2" x 1-1/2" x 1-1/2"	04730-011-69-93

SECTION 5: PARTS SECTION

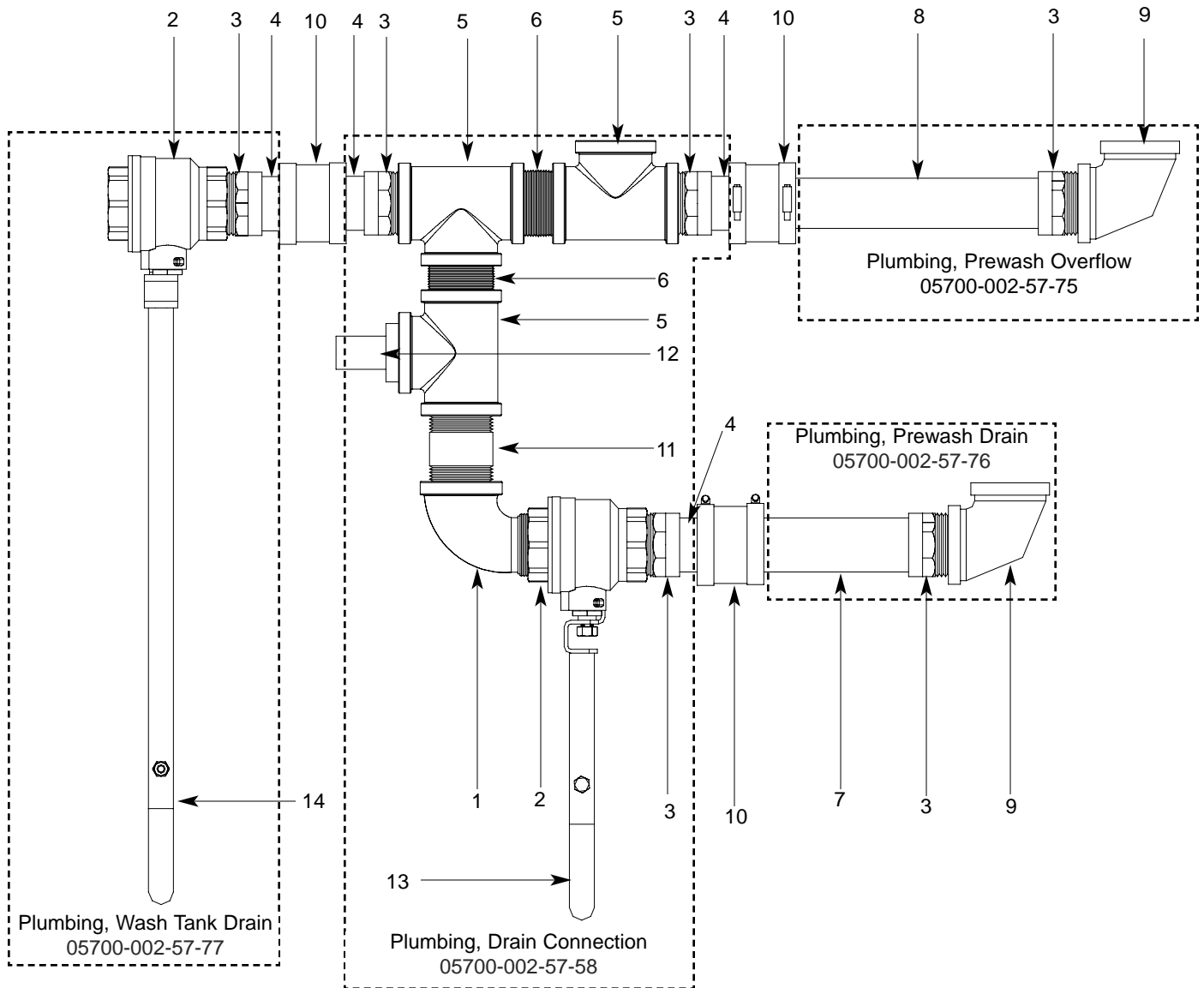
TS-66/TSC-66 (LEFT TO RIGHT) DRAIN PLUMBING ASSEMBLY



ITEM	QTY	DESCRIPTION	Mfg. No.
1	6	Adapter, Male to Female, 1-1/2"	04730-401-25-01
2	3	No-Hub Connector	04720-604-06-00
3	3	Tee, Brass, 1-1/2" FNPT	04730-011-69-93
4	2	Ball Valve, 1-1/2" FNPT	04820-011-71-46
*	2	Valve Handle Weldment Assembly (Not Shown)	05700-021-84-74
5	2	Nipple, Brass, Close, 1-1/2" NPT	04730-207-40-00
6	2	Elbow, Brass, 90°, 1-1/2" FNPT	04730-011-73-77
7	2	Tube, Copper, 1-1/2" x 1-3/4" Long	05700-000-75-57
8	1	Rinse Nipple Weldment	05700-021-84-61
9	2	Tube, Copper, 1-1/2" x 3-1/2" Long	05700-011-84-23
10	2	Tube, Copper, 1-1/2" x 7-1/2" Long	05700-002-50-98
11	1	Nipple, Brass, 1-1/2" NPT x 3" Long	04730-011-87-04
1	1	Entire Assembly	05700-002-50-95

SECTION 5: PARTS SECTION

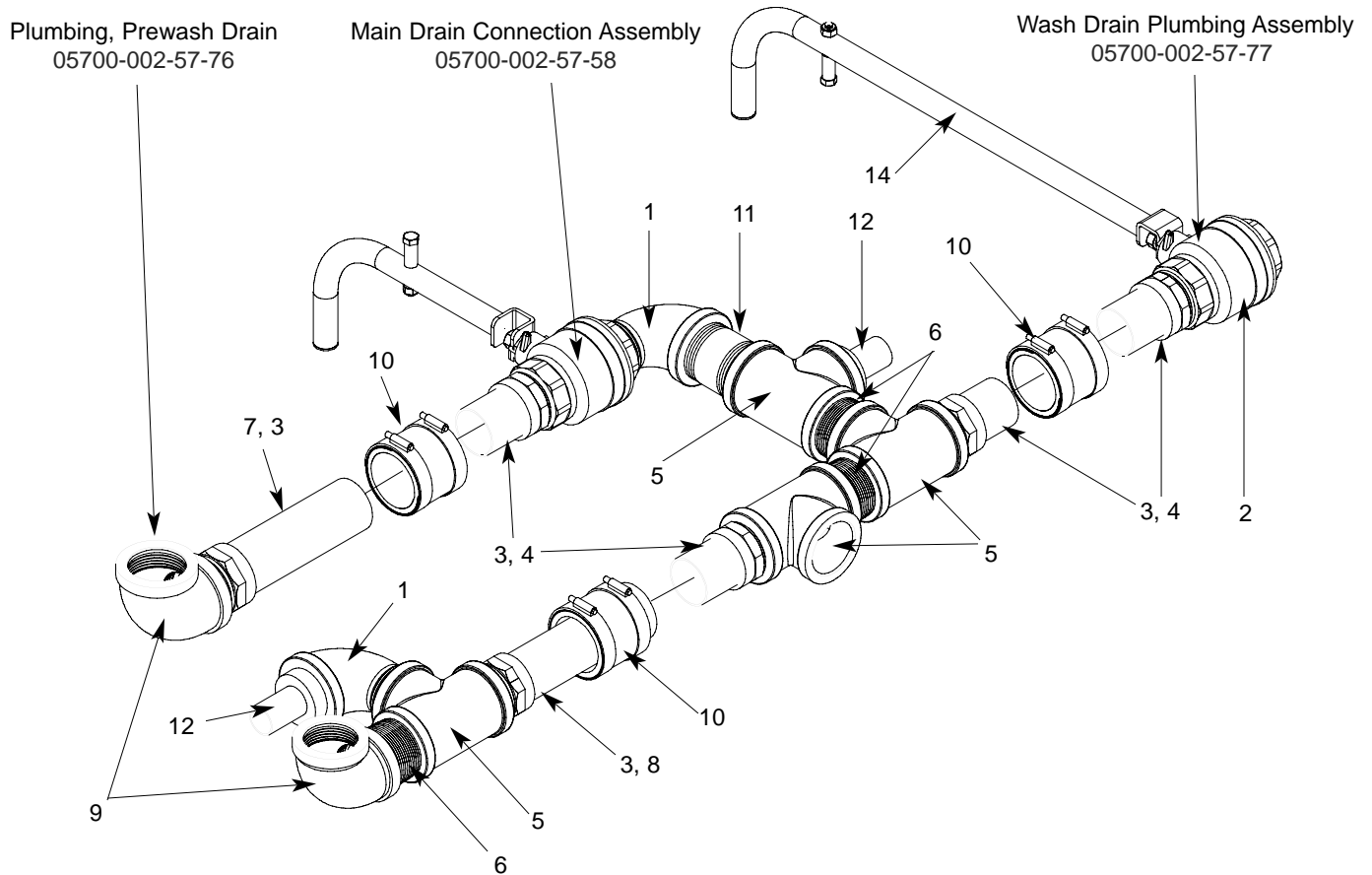
TS-66/TSC-66 (RIGHT TO LEFT) DRAIN PLUMBING ASSEMBLY



ITEM	QTY	DESCRIPTION	Mfg. No.
1	1	Elbow, 1-1/2" NPT, Brass, Street	04730-206-32-00
2	2	Valve, Ball, 1-1/2" FNPT	04820-011-71-46
3	6	Adapter, Male to Female, 1-1/2"	04730-401-25-01
4	4	Tube, Copper, 1-1/2" x 1-7/8" Long	05700-002-57-93
5	3	Tee, Brass, 1-1/2" FNPT	04730-011-69-93
6	2	Nipple, Brass, 1-1/2" NPT, Close	04730-207-40-00
7	1	Tube, Copper, 1-1/2" x 5-3/16" Long	05700-002-57-92
8	1	Tube, Copper, 1-1/2" x 8-1/8" Long	05700-021-70-06
9	2	Elbow, Brass, 90°, 1-1/2" FNPT	04730-011-73-77
10	3	No-Hub Connector	04720-604-06-00
11	1	Nipple, Brass, 1-1/2" NPT x 3" Long	04730-011-87-04
12	1	Rinse Nipple Weldment	05700-021-84-61
13	1	Valve Handle Weldment Assembly	05700-021-84-74
14	1	Valve Handle Weldment Assembly	05700-002-57-83

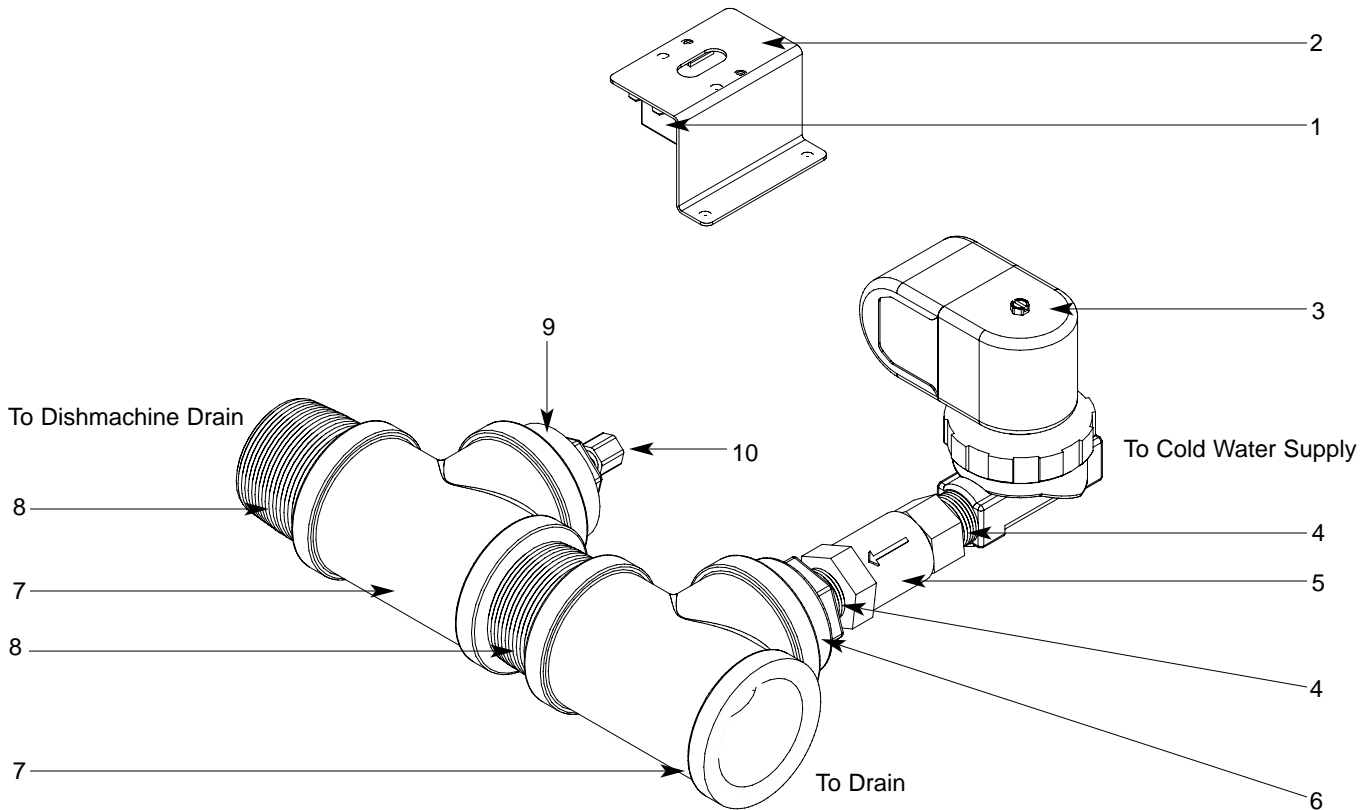
SECTION 5: PARTS SECTION

TS-66/TSC-66 (RIGHT TO LEFT WITH LOADER) DRAIN PLUMBING ASSEMBLY



ITEM	QTY	DESCRIPTION	Mfg. No.
1	2	Elbow, 1-1/2" NPT, Brass, Street	04730-206-32-00
2	2	Valve, Ball, 1-1/2" FNPT	04820-011-71-46
3	6	Adapter, Male to Female, 1-1/2"	04730-401-25-01
4	4	Tube, Copper, 1-1/2" x 1-7/8" Long	05700-002-57-93
5	4	Tee, Brass, 1-1/2" FNPT	04730-011-69-93
6	3	Nipple, Brass, 1-1/2" NPT, Close	04730-207-40-00
7	1	Tube, Copper, 1-1/2" x 5-3/16" Long	05700-002-57-92
8	1	Tube, Copper, 1-1/2" x 3-1/2" Long	05700-011-84-23
9	2	Elbow, Brass, 90°, 1-1/2" FNPT	04730-011-73-77
10	3	No-Hub Connector	04720-604-06-00
11	1	Nipple, Brass, 1-1/2" NPT x 3" Long	04730-011-87-04
12	2	Rinse Nipple Weldment	05700-021-84-61
13	1	Valve Handle Weldment Assembly	05700-021-84-74
14	1	Valve Handle Weldment Assembly	05700-002-57-83

SECTION 5: PARTS SECTION
DRAIN QUENCH SYSTEM



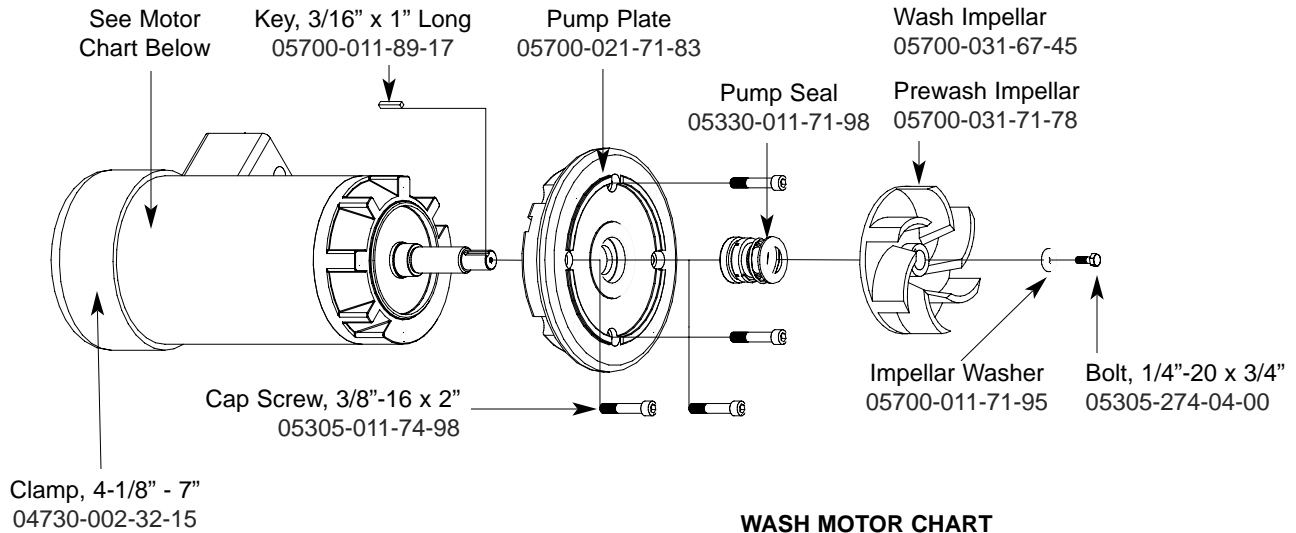
From the existing drain, attach the two additional Tees (Item 7) using the 1-1/2" NPT Close Nipples (Item 8). Tighten the Reducers (Items 6 & 9) into the Tees as shown above. Attach the Modified Compression Fitting (Item 10) into the 1-1/2" to 1/4" Reducer (Item 9). Position the bulb of the thermostat (Item 1) so that it rests approximately 1/4" from the bottom of the Tee (Item 7). Tighten the Modified Compression Fitting (Item 10) as required.

Mount the Thermostat (Item 1) to the tub using the Thermostat Bracket (Item 2) and set it for 120°F - 140°F. Install the Solenoid Valve (Item 3) to the second Tee (Item 7) and then attach to the incoming cold water line. Use pipe dope or thread tape as required to prevent any leaks.

ITEM	QTY	DESCRIPTION	Mfg. No.
1	1	Thermostat Replacement Kit	06401-003-18-20
2	1	N/A	N/A
3	1	Solenoid Valve	04810-100-09-18
4	2	Nipple, Close, 1/2" NPT, Brass	04730-207-15-00
5	1	Valve, Check, 1/2"	04820-002-55-77
6	1	Reducer, 1-1/2" to 1/2"	04730-002-55-75
7	2	Tee, 1-1/2" x 1-1/2" x 1-1/2"	04730-011-69-93
8	2	Nipple, 1-1/2", Close, Brass	04730-207-40-00
9	1	Reducer, 1-1/2" to 1/4"	04730-002-55-76
10	1	Modified Compression Fitting	05700-001-16-52
	1	Complete Kit	06401-002-44-07

SECTION 5: PARTS SECTION

MOTOR ASSEMBLIES

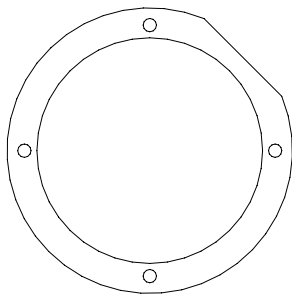


WASH MOTOR CHART

Volts	Phase	Hz	Part Number	Kit Part Number
208 - 230	1	60	06105-021-70-57	06401-003-09-97
200 - 230	3	60	06105-121-70-58	06401-003-09-98
460	3	60	06105-121-70-58	06401-003-09-98
600	3	60	06105-002-48-31	06401-003-09-99

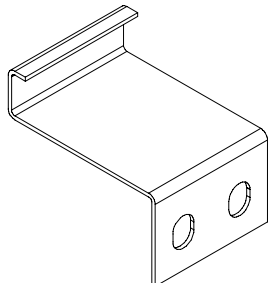
PREWASH MOTOR CHART(TS/TSC-66 ONLY)

Model(s)	Volts	Phase	Hz	Part Number	Kit Part Number
	208-230	1	60	06105-121-70-55	06401-003-10-40
	200-230	3	60	06105-121-70-56	06401-003-10-38
	460	3	60	06105-121-70-56	06401-003-10-38
	600	3	60	06105-002-48-31	06401-003-10-41

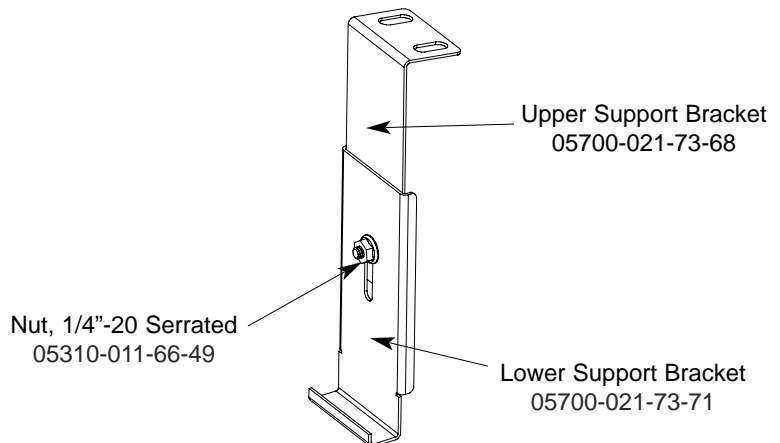


Motor Mounting Gasket
05330-011-71-62

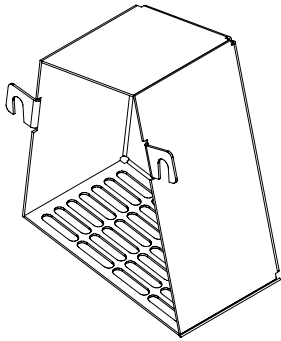
Wash Motor Support Bracket
05700-002-57-10



Prewash Motor Support Bracket
Complete Assembly
05700-021-73-42

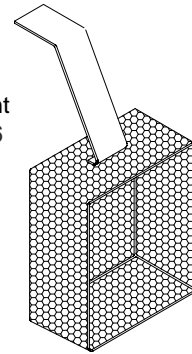


SECTION 5: PARTS SECTION
PREWASH & WASH PUMP WELDMENTS

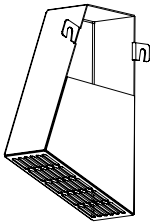
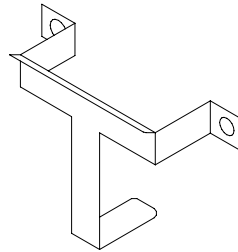


Intake Suction Scoop Weldment
 05700-021-87-60

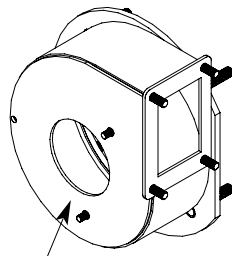
Prewash Intake
 Strainer Weldment
 05700-021-74-96



Prewash Strainer
 Bracket
 05700-021-74-94



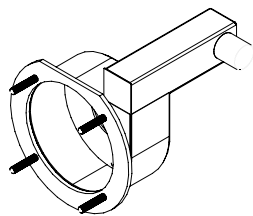
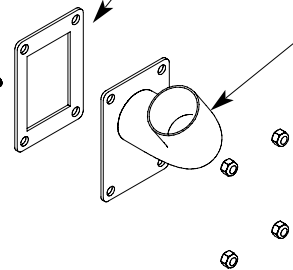
Scoop, Intake Suction Wash
 Weldment
 05700-002-51-20



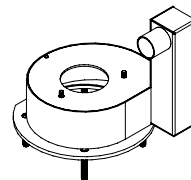
Wash Pump Weldment
 05700-002-50-92

Gasket
 05330-002-54-55

Pump Discharge
 Weldment
 05700-002-90-05

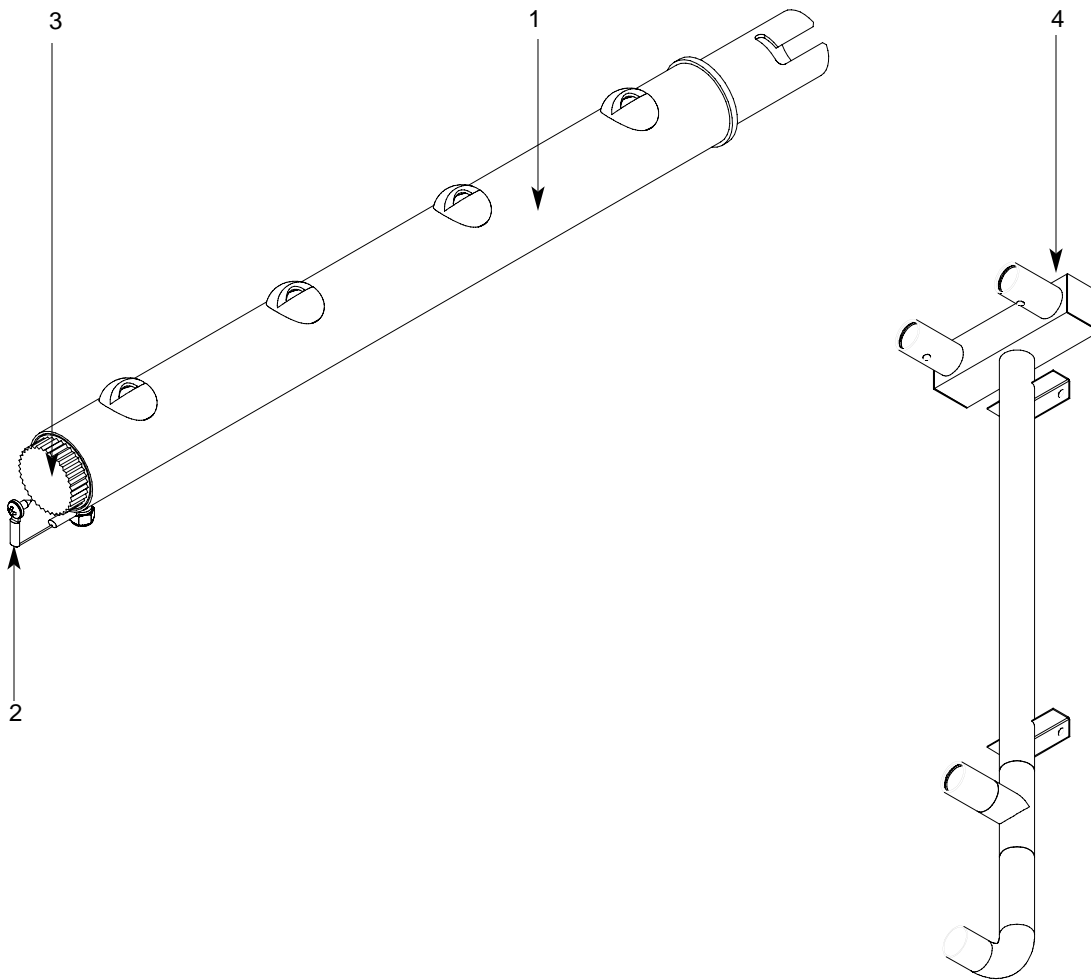


Prewash Pump Weldment
 Left to Right
 05700-002-43-56



Prewash Pump Weldment
 Right to Left
 05700-002-42-69

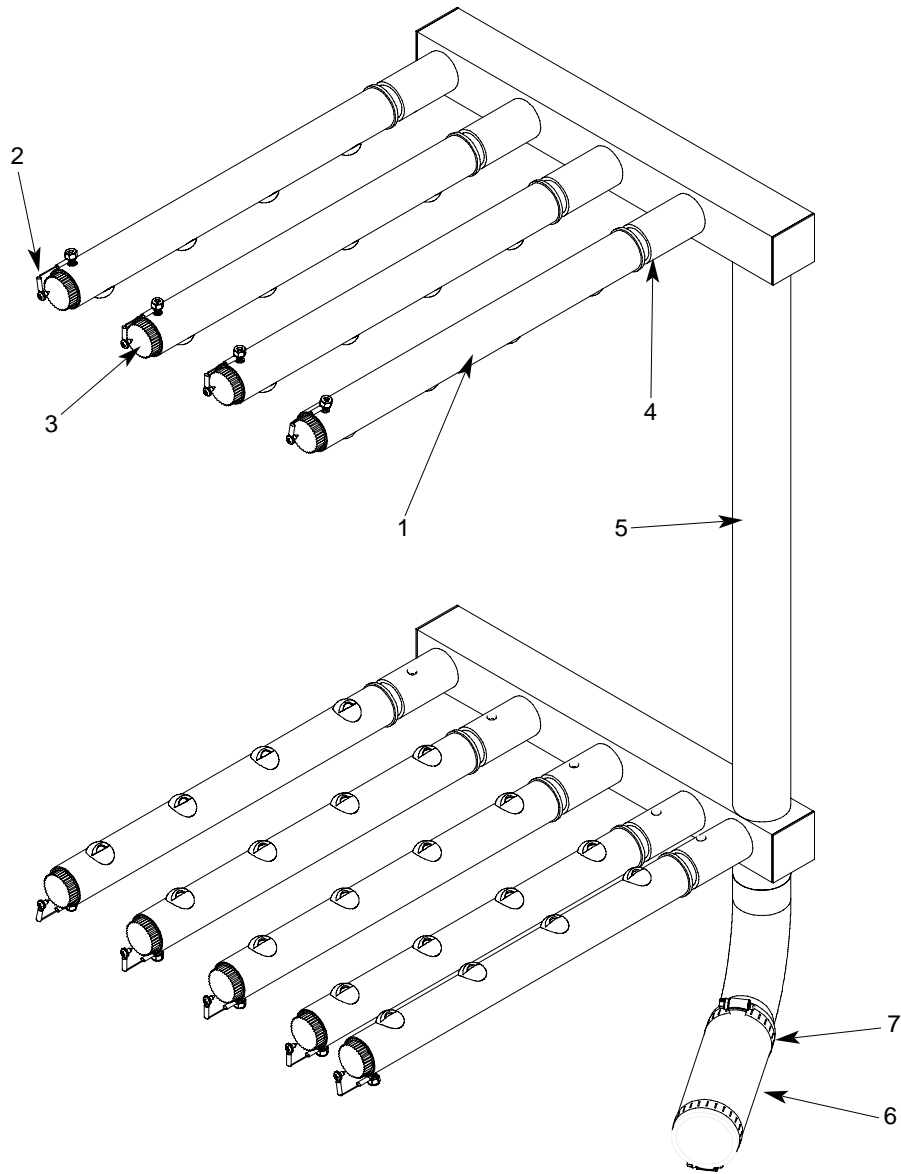
SECTION 5: PARTS SECTION
PREWASH ARM/MANIFOLD ASSEMBLY (TS-66/TSC-66 MODELS ONLY)



SERVICE NOTE: When replacing the 10-32 screws in the End Caps, it is recommended that a thread locking fluid be used to ensure that the screws do not back out during normal operation.

ITEM	QTY	DESCRIPTION	Mfg. No.
1	1	Wash Arm Weldment	05700-002-95-25
2	1	Lanyard	05340-011-72-46
3	1	Cap, Threaded	05700-011-67-11
		Items 1 through 3 + Hardware	05700-002-95-19
	1	O-ring (Not Shown)	05330-400-12-08
4	1	Prewash Manifold Weldment	05700-003-01-66

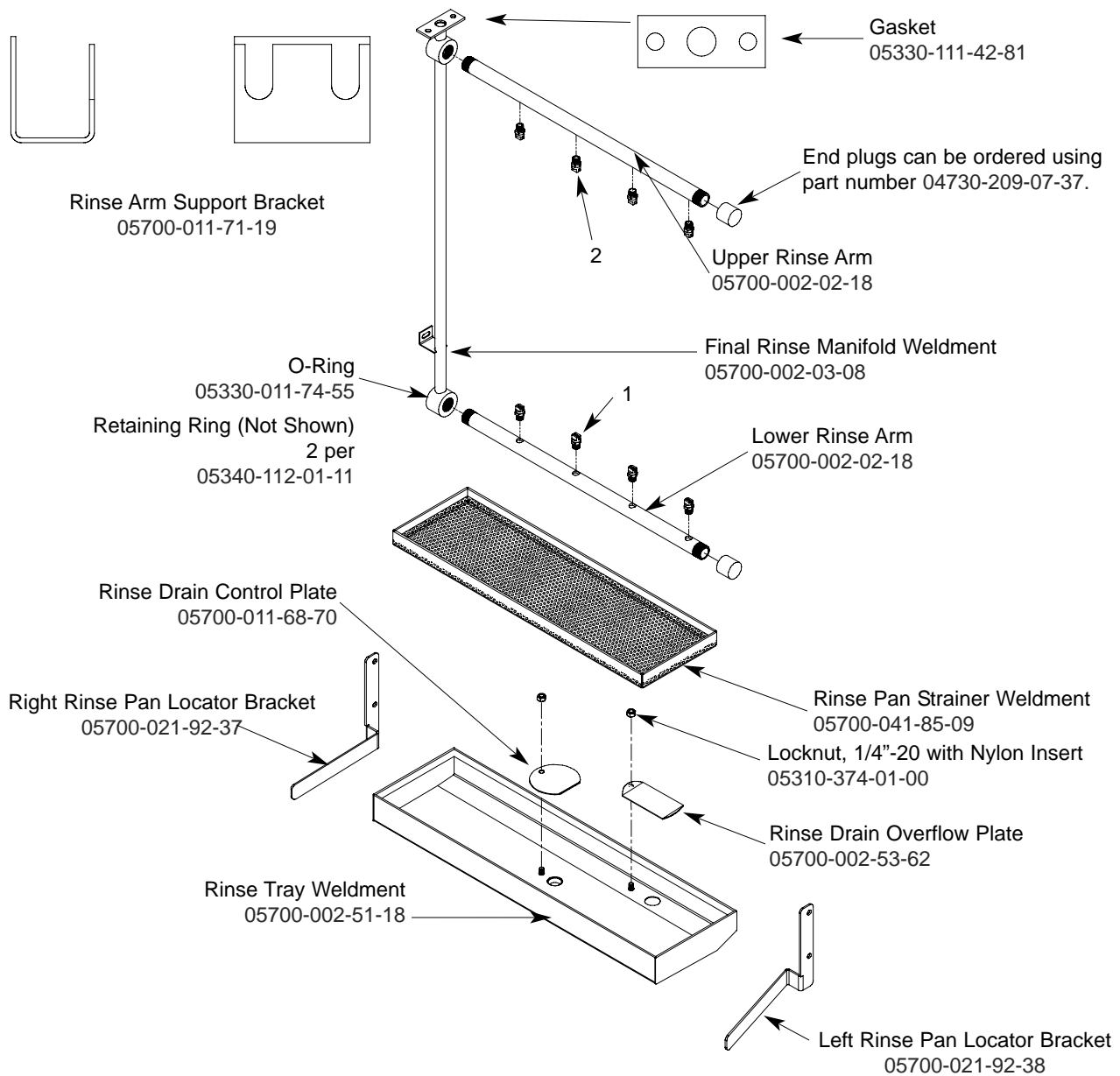
SECTION 5: PARTS SECTION
WASH ARM/MANIFOLD ASSEMBLY



ITEM	QTY	DESCRIPTION	Mfg. No.
		Items 1 through 3 + Hardware	05700-002-95-19
1	9	Wash Arm Weldment	05700-002-95-25
2	9	Lanyard	05340-011-72-46
3	9	Cap, Threaded	04730-603-12-00
4	9	O-ring	05330-400-12-08
5	1	Wash Manifold Weldment	
		Left to Right, Tall	05700-002-95-20
		Right to Left, Tall	05700-002-95-66
		Left to Right, Short	05700-002-95-69
		Right to Left, Short	05700-002-95-70
6	1	Hose, 2" X 6.75" Manifold Pump	05700-002-90-79
7	2	Clamp, Hose 1-9/16" TO 2-1/2"	04730-011-34-89

SECTION 5: PARTS SECTION

FINAL RINSE ASSEMBLY



ITEM	QTY	DESCRIPTION	Mfg. No.
1	4	Lower Rinse Nozzle (TS-Series)	05700-002-96-04
1	4	Lower Rinse Nozzle (TSC-Series)	04730-002-73-31
2	4	Upper Rinse Nozzle (TS-Series)	05700-002-03-13
2	4	Upper Rinse Nozzle (TSC-Series)	04730-002-73-31

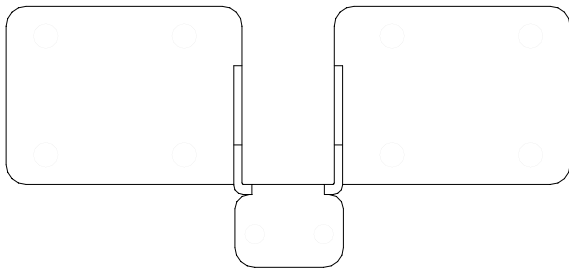
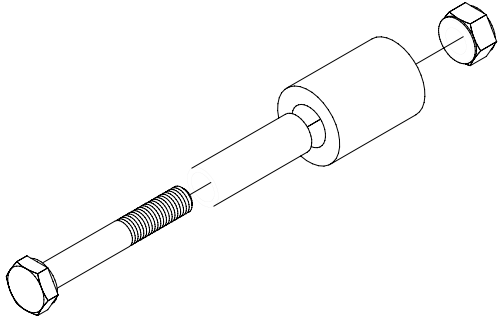
SECTION 5: PARTS SECTION

PAWL BAR ROLLER BRACKET

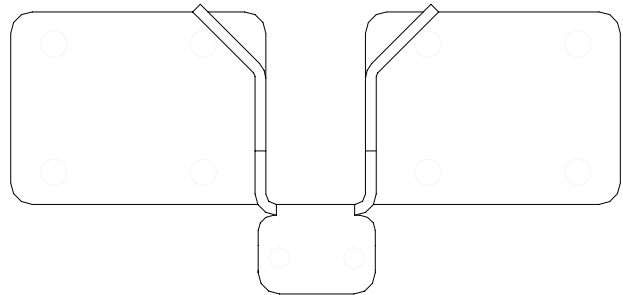
Pawl Bar Roller Replacement Kit
06401-003-11-80

Replacement Kit Notes:

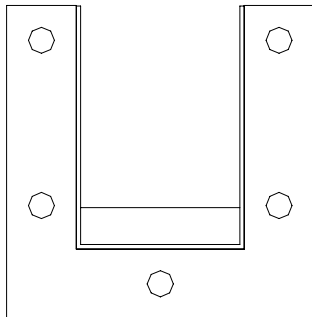
The replacement kit for the pawl bar roller comes with the roller, roller shaft, hardware and locknut as shown.



Pawl Bar Bracket (without tabs) Weldment
05700-031-92-36



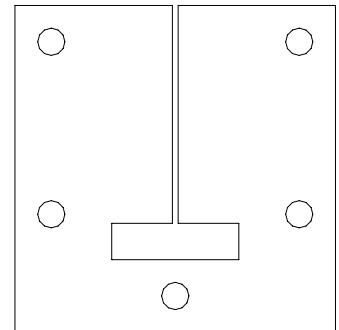
Pawl Bar Bracket (with studs) Weldment
05700-031-84-68



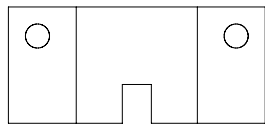
Pawl Bar Gutter Weldment Replacement Kit
06401-003-09-95

Replacement Kits Notes:

The pawl bar gutter weldment replacement kit contains the weldment, a gasket and the mounting hardware. The guide block kit contains both blocks and a gasket.



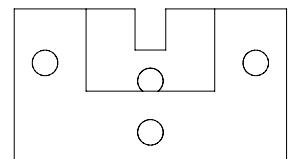
Pawl Bar Gutter Gasket
05330-011-68-55



Top Guide Block

Guide Block Replacment Kit
06401-003-10-15

Bottom Guide Block



Service Note: It is highly recommended that when changing out one guide block, that the other be changed out as well, along with the gasket.

SECTION 5: PARTS SECTION

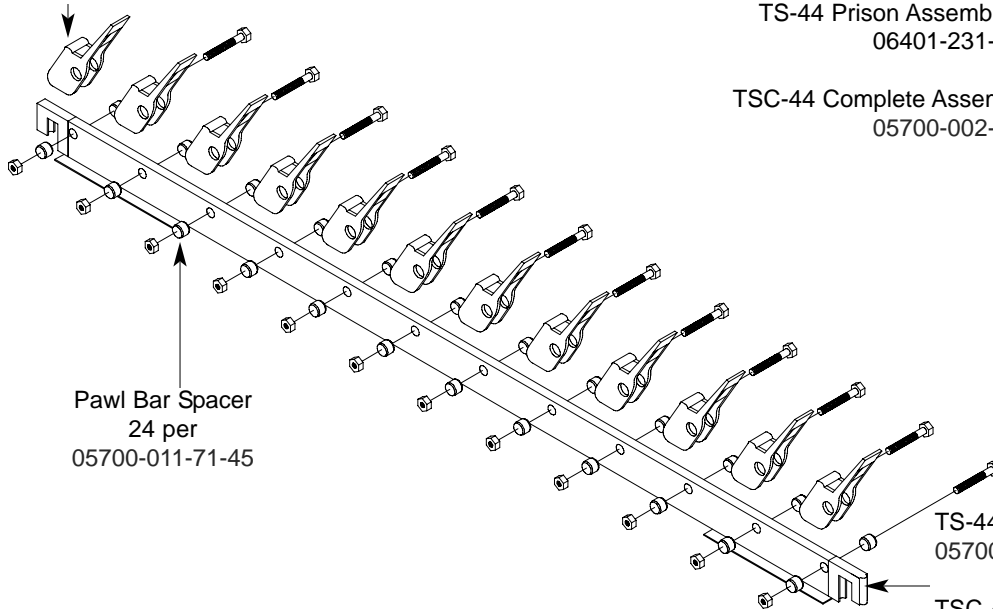
PAWL BAR ASSEMBLIES

Pawl Bar Dog Casting
TS-44 12 per, TSC-44 6 per
05700-021-69-00

TS-44 Complete Assembly with Hardware
06401-131-81-00

TS-44 Prison Assembly with Hardware
06401-231-81-00

TSC-44 Complete Assembly with Hardware
05700-002-03-24



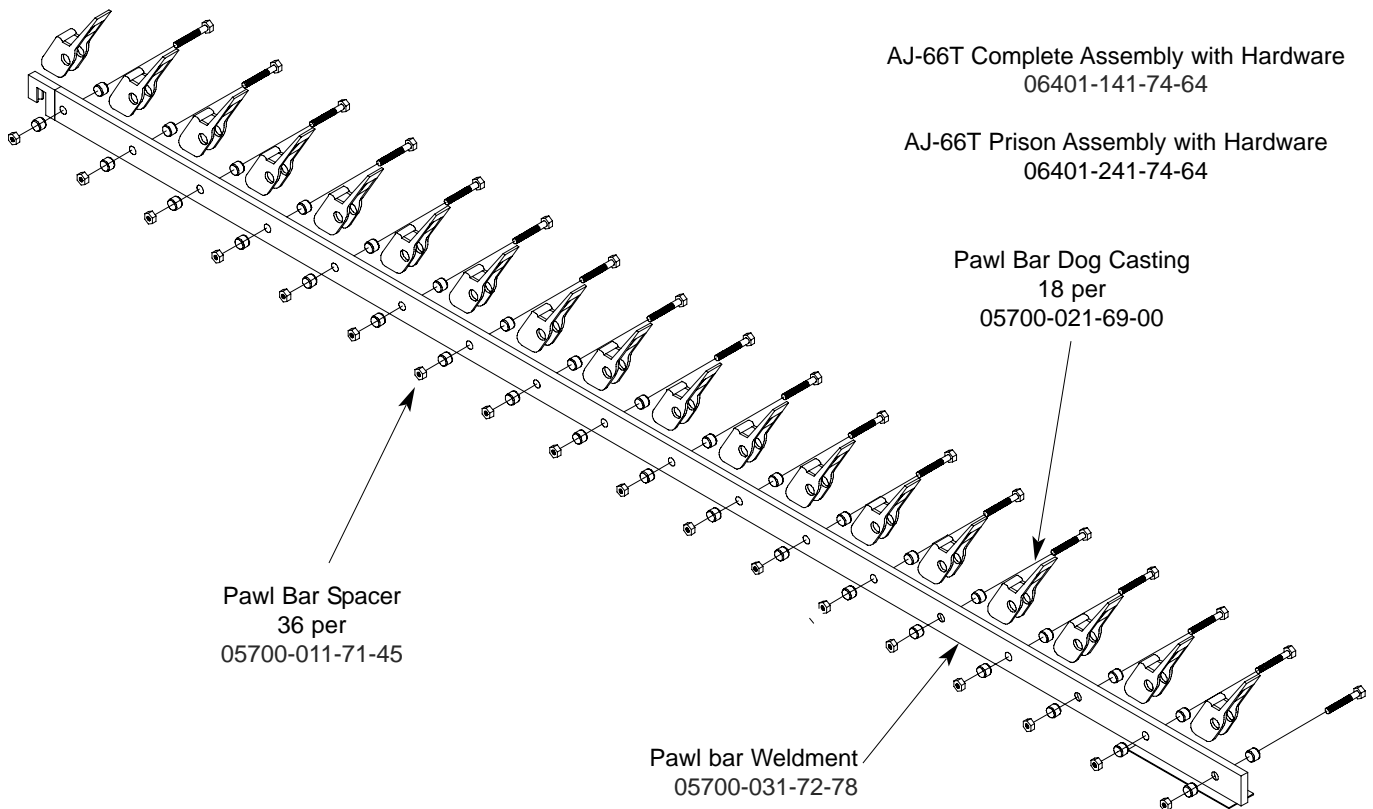
Pawl Bar Spacer
24 per
05700-011-71-45

TS-44 Pawl Bar Weldment
05700-031-72-77

TSC-44 Pawl Bar Weldment
05700-002-03-25

AJ-66T Complete Assembly with Hardware
06401-141-74-64

AJ-66T Prison Assembly with Hardware
06401-241-74-64

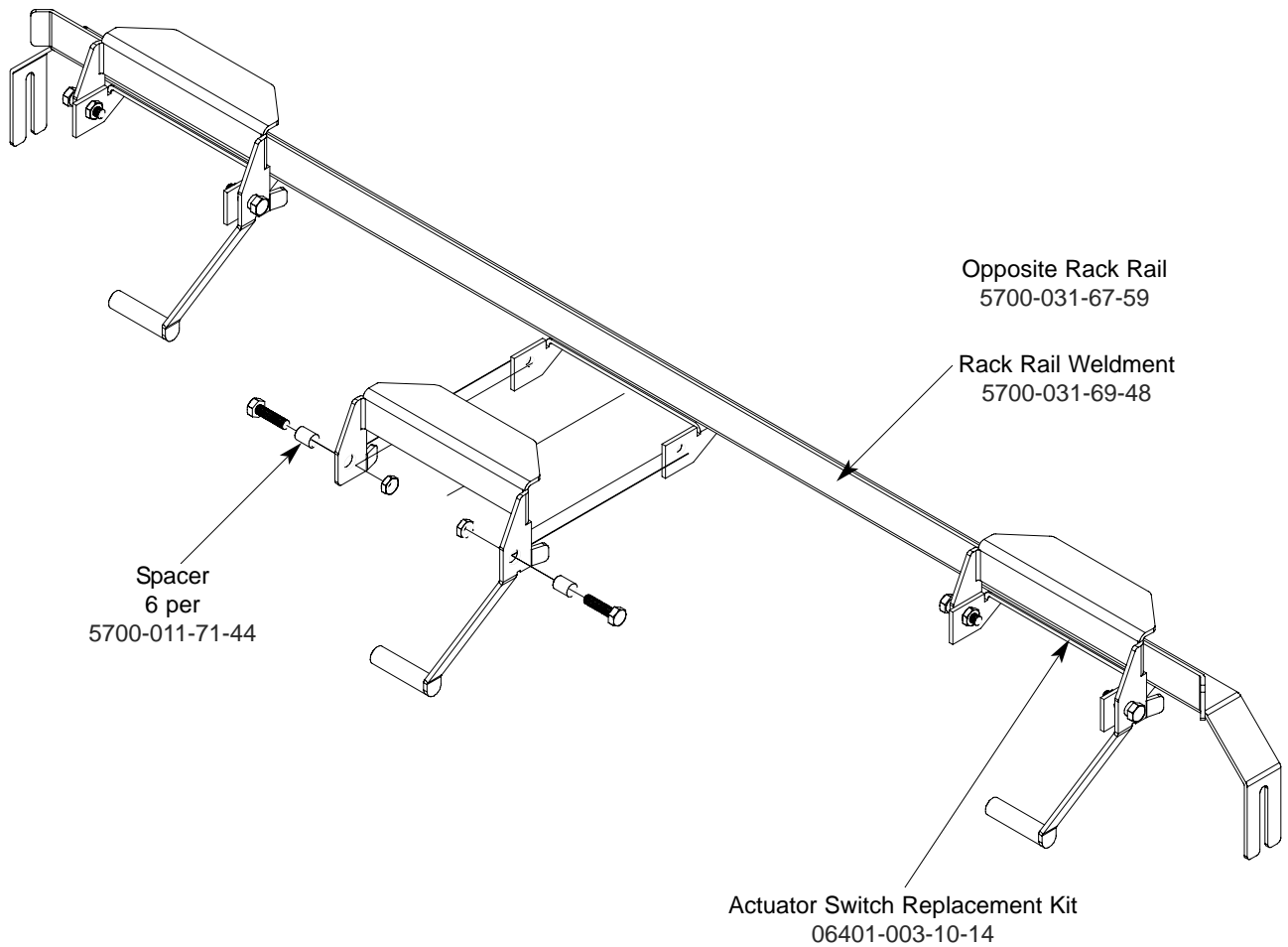


Pawl Bar Spacer
36 per
05700-011-71-45

Pawl Bar Dog Casting
18 per
05700-021-69-00

Pawl bar Weldment
05700-031-72-78

SECTION 5: PARTS SECTION
TS/TSC-44 RACK RAIL ASSEMBLY

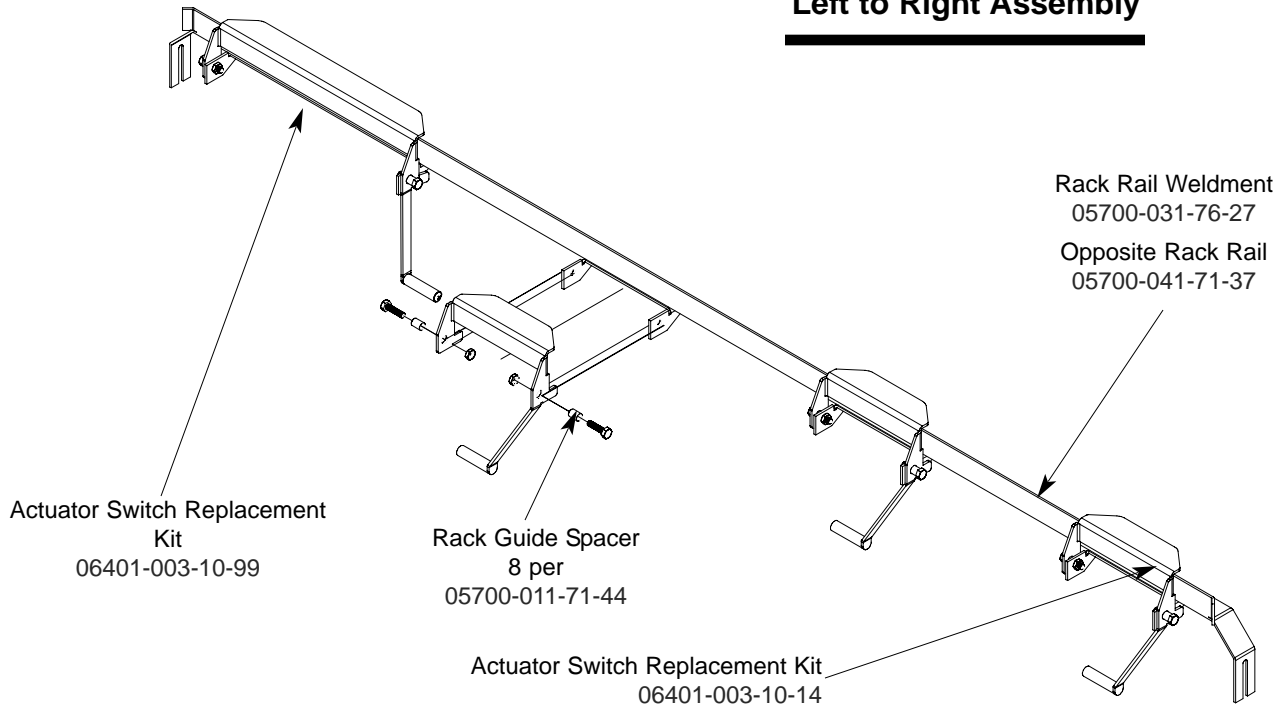


Replacement Kit Note:
The replacement kit for the actuator switch comes with the switch, two spacers and the mounting hardware.

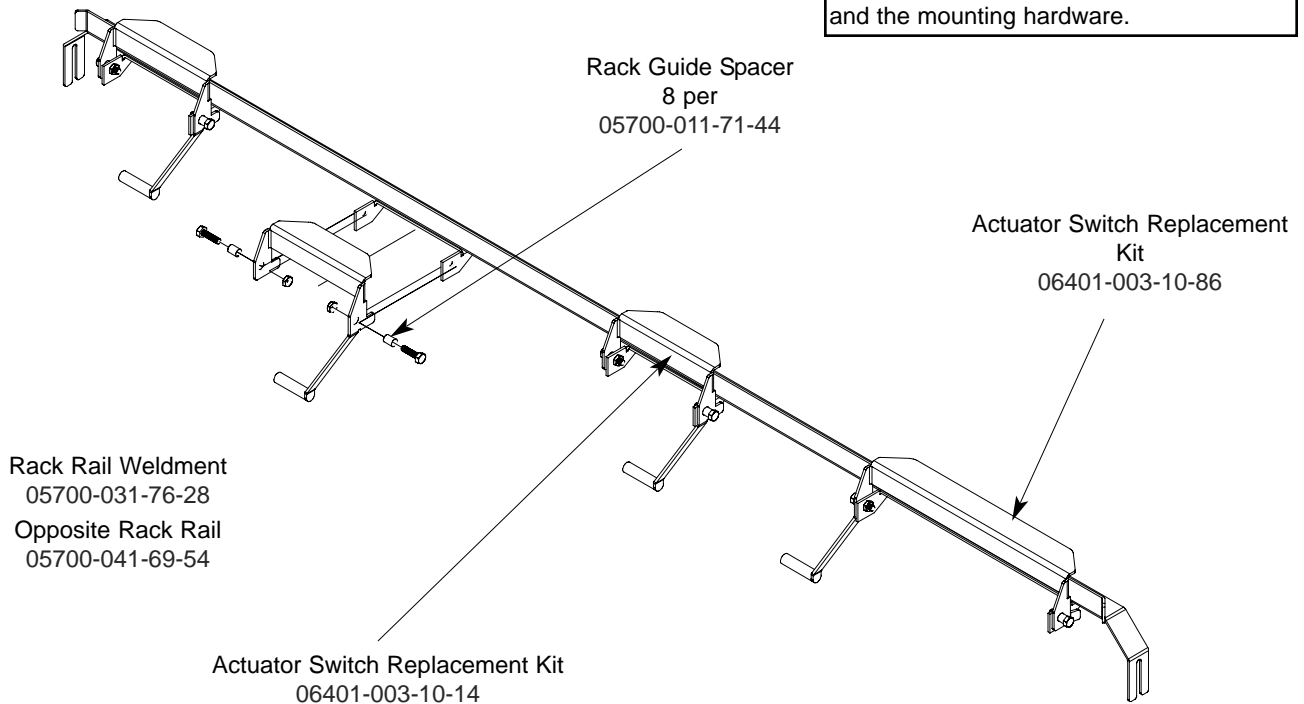
SECTION 5: PARTS SECTION

AJ-66 RACK RAIL ASSEMBLIES

Left to Right Assembly

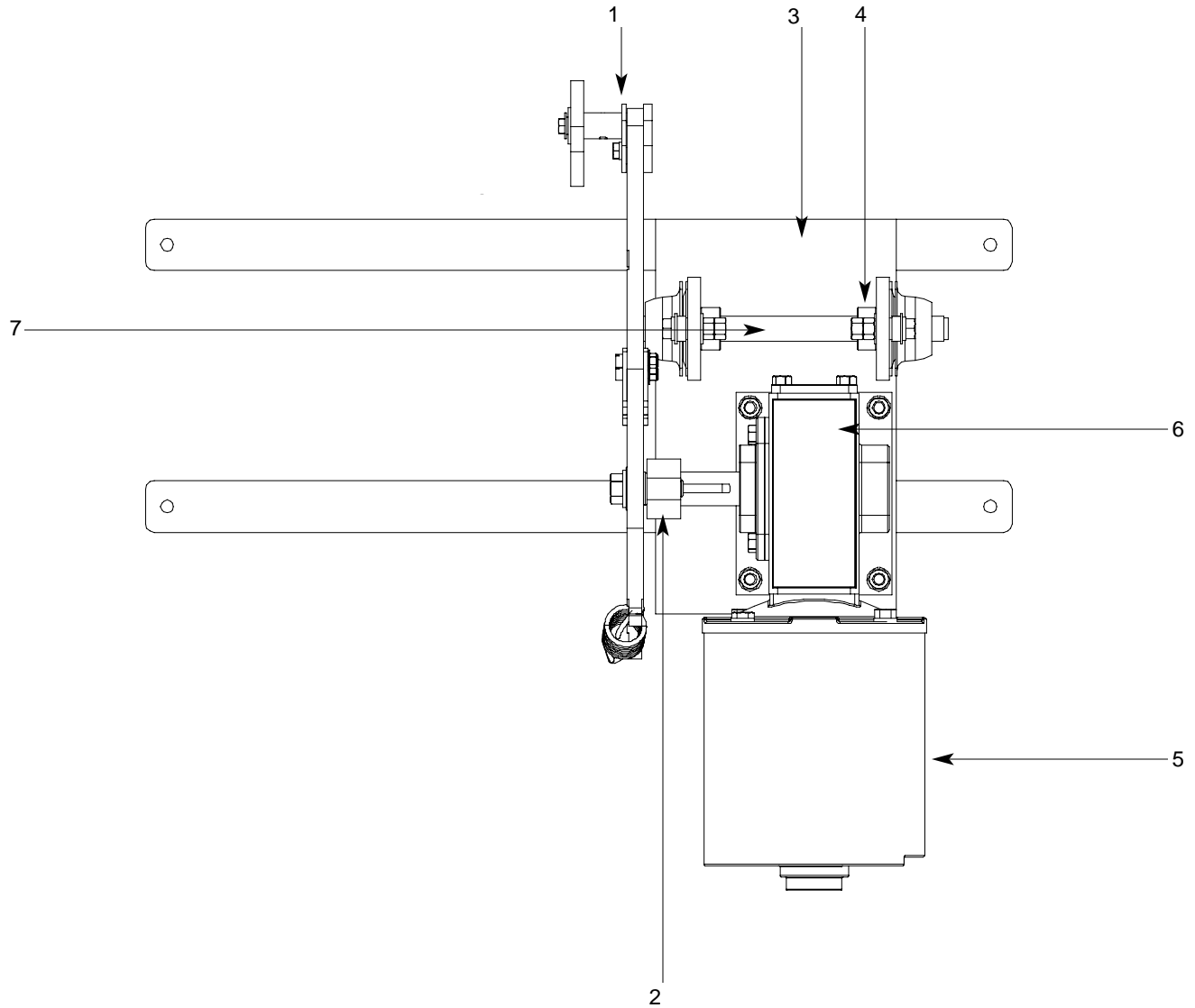


Right to Left Assembly



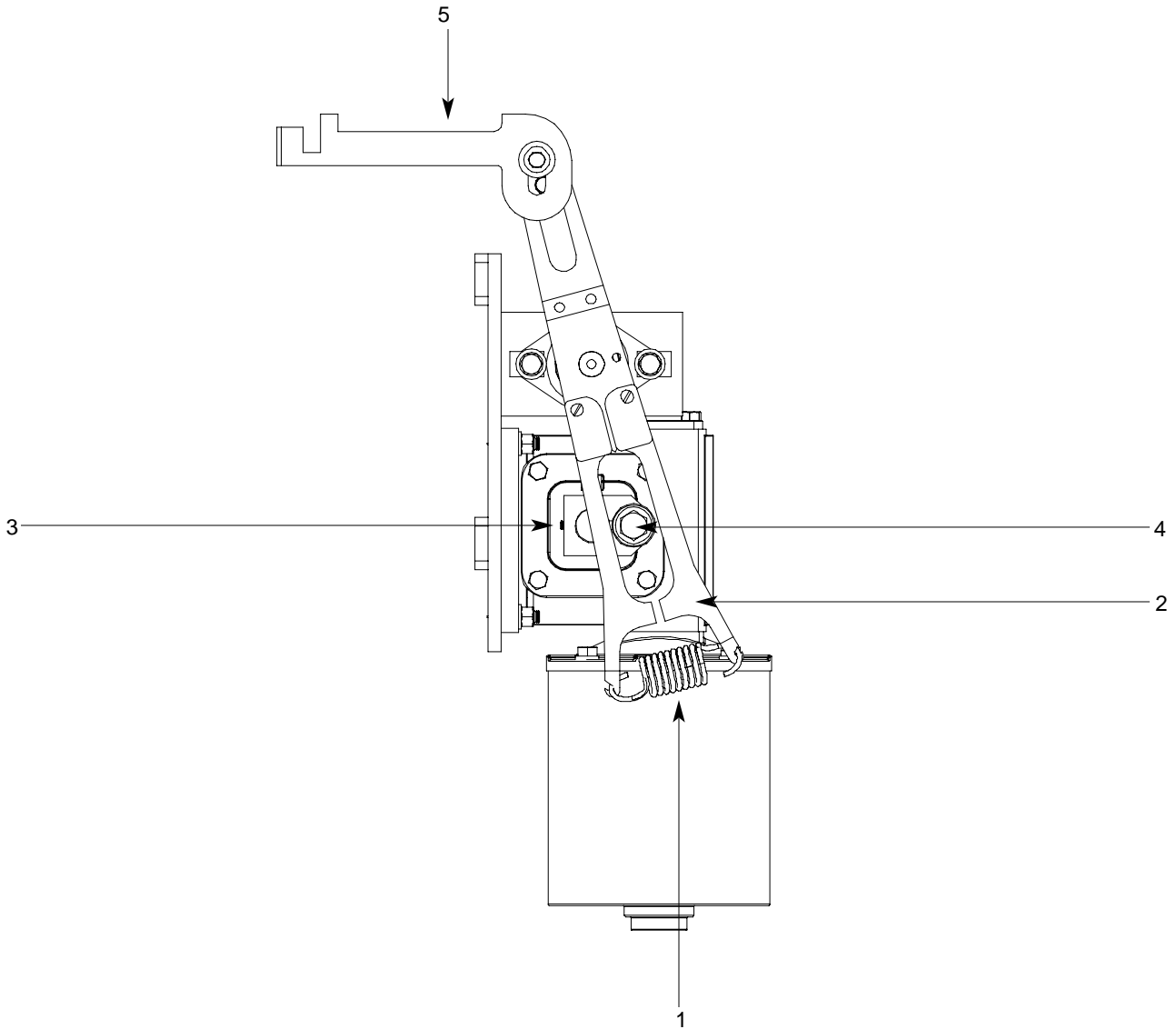
SECTION 5: PARTS SECTION

DRIVE ASSEMBLY



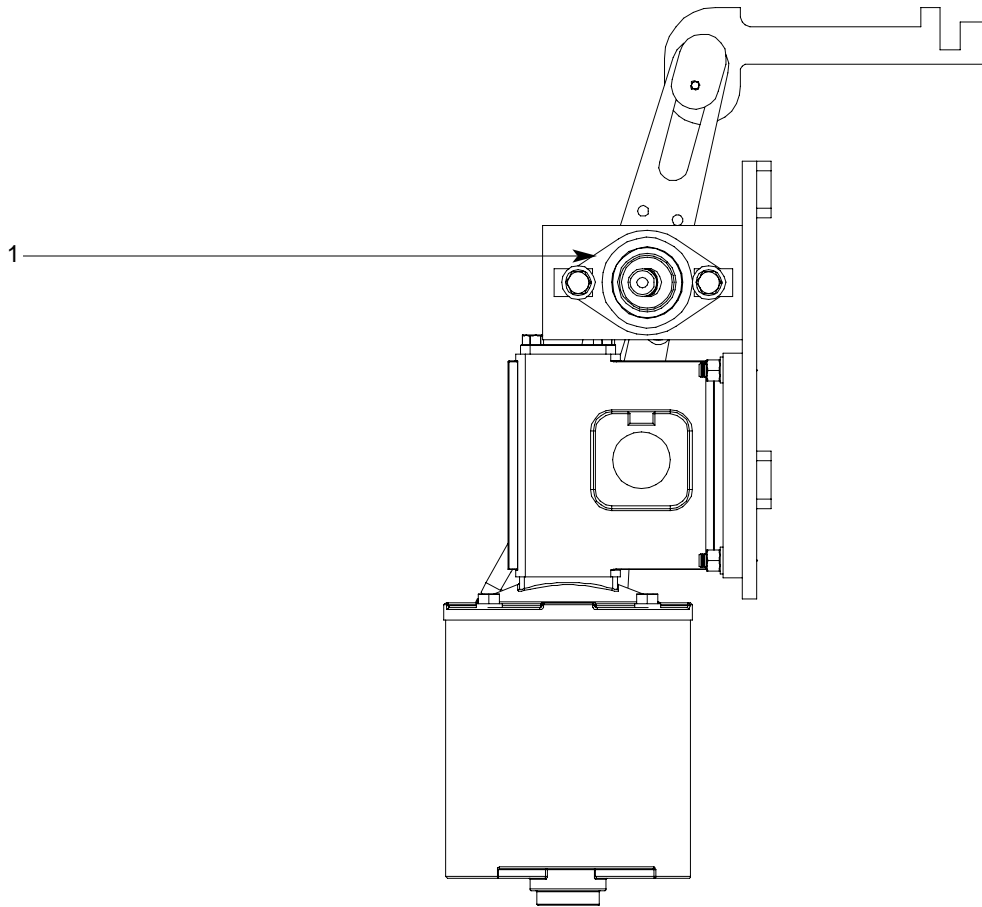
ITEM	QTY	DESCRIPTION	Mfg. No.
1	1	Plate, Drive & Rod Weldment	05700-002-99-28
2	1	Drive Hub	05700-011-67-97
3	1	Drive Motor Mounting Plate Weldment	05700-031-73-56
4	2	Shaft Collar	05700-011-89-18
5	1	Motor	
		Drive Motor, 115/230V, 1 Ph, 1/4 HP	06105-021-70-53
		Drive Motor, 208-230/460V, 3 Ph, 1/4 HP	06105-121-70-54
		Drive Motor, 600V, 3 Ph, 1/4 HP	06105-002-48-32
6	1	Gear Drive Motor (TS-44 & TS-66)	06105-011-71-88
6	1	Gear Drive Motor (TSC-44 & TSC-66)	06105-002-68-52
7	1	Drive and Rod Weldment	05700-002-99-28

SECTION 5: PARTS SECTION
DRIVE ASSEMBLY (CONTINUED)



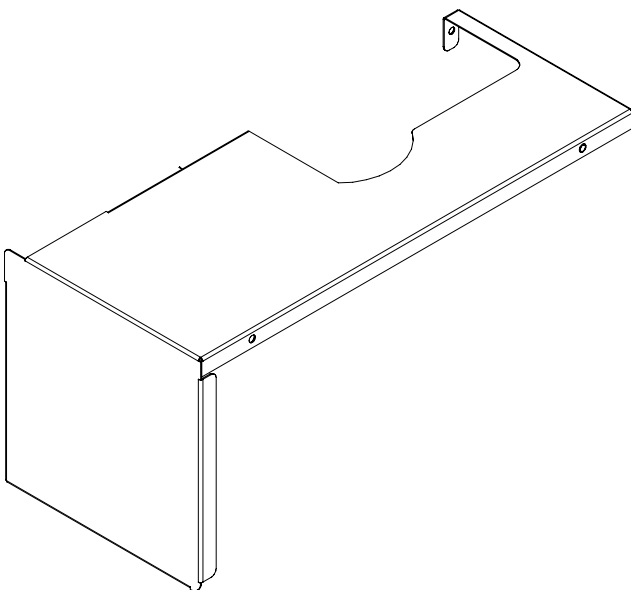
ITEM	QTY	DESCRIPTION	Mfg. No.
1	1	Spring	05315-011-83-51
2	2	Coupling and Expansion Leg Weldment	05700-021-67-50
3	1	Set Screw, 1/4"-20 x 1/2" Long	05305-011-71-51
4	1	Roller Bearing	03120-011-71-81
5	1	Pawl Bar Drive Linkage Casting	09515-021-87-73

SECTION 5: PARTS SECTION
DRIVE ASSEMBLY (CONTINUED)



ITEM	QTY	DESCRIPTION
1	2	Pillow Block

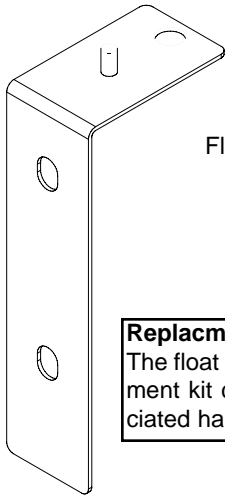
Mfg. No.
03120-021-71-87



The drive assembly covers may be ordered using the following numbers:

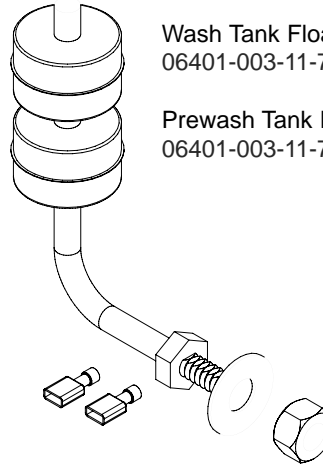
Top cover: 05700-002-01-98
Bottom cover: 05700-002-41-21

SECTION 5: PARTS SECTION
FLOAT SWITCH COMPONENTS/SCRAP BASKETS



Float Switch Support Bracket
 Replacement Kit
 06401-003-11-77

Replacement Kit Note:
 The float switch support bracket replacement kit contains the bracket and associated hardware for mounting.

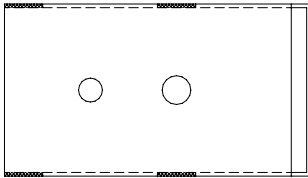


Wash Tank Float Switch Replacement Kit
 06401-003-11-75

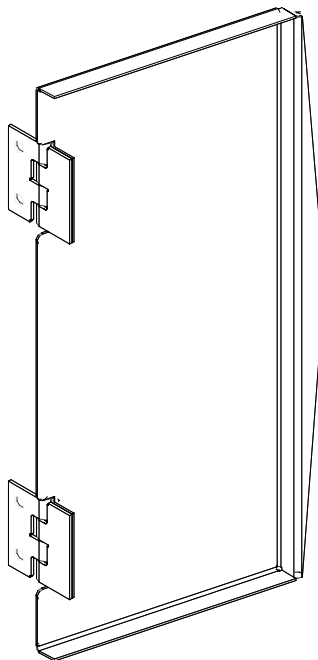
Prewash Tank Float Switch Replacement Kit
 06401-003-11-76

Replacement Kit Note:
 The float switch replacement kits contain the float switch with associated terminals, the flat washer and the nut.

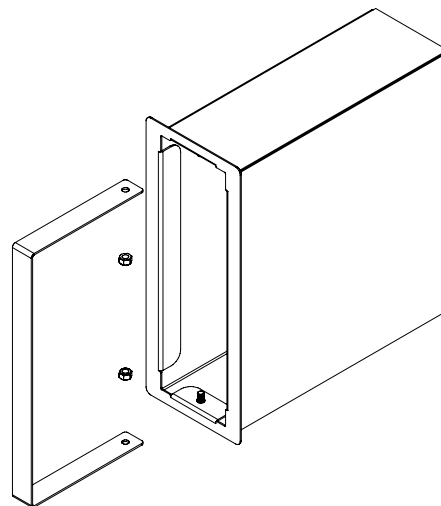
Service Agent Note:
 Remember than when reinstalling the float switch that the flat washer goes inside against the tub wall while the nut is on the outside of the tub.



Float Switch Cover
 05700-021-75-71

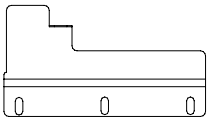


Scrap Basket Lid
 Weldment
 05700-002-56-55

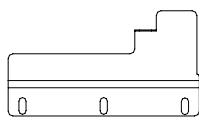


Scrap Basket Assembly
 06401-002-11-21

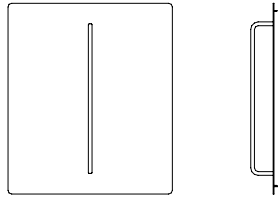
SECTION 5: PARTS SECTION
MISCELLANEOUS PARTS AND WELDMENTS



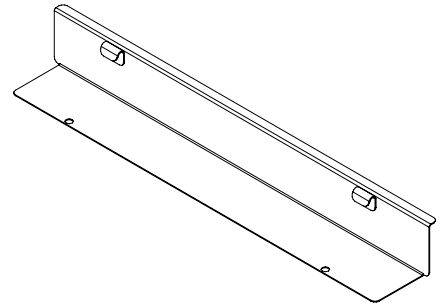
Plate, Left Water Directional
05700-021-79-27



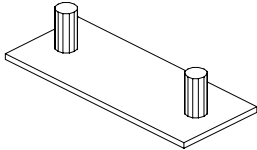
Plate, Right Water Directional
05700-021-79-23



Run Off Sheet Weldment
05700-021-71-39

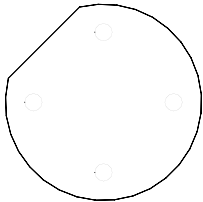


Splash Shield Weldment
5700-002-03-54

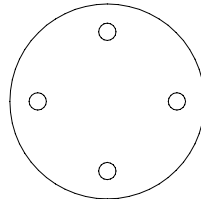


Hole Direction Plate Replacment Kit
06401-003-10-00

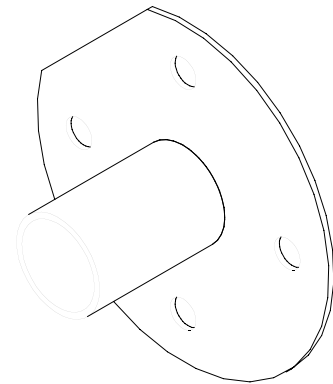
Replacement Kit Note:
 The kit for the hole direction plate comes with the plate, a new gasket and the mounting hardware.



Rinse Drain Plate Replacment Kit
(TG Models Only)
06401-003-10-07

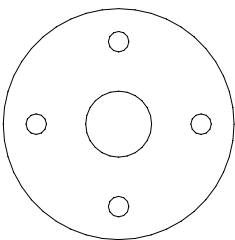


Rinse Drain Plug Replacment Kit
06401-003-10-06

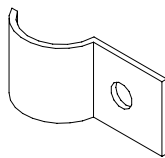


Rinse Drain Weldment Replacment Kit
06401-003-10-05

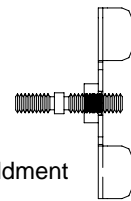
Replacement Kits Notes:
 The kits for the drain weldments and drain plugs come with the weldments/parts, a new gasket and the mounting hardware.



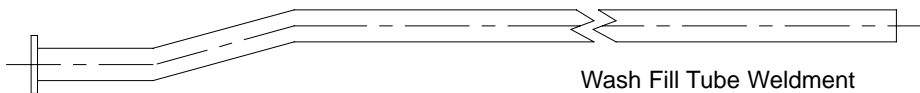
Rinse Drain Plate Gasket
05330-011-72-27



Pipe Clamp
05700-000-35-05



Shoulder Bolt Wingnut Weldment
05700-002-46-02

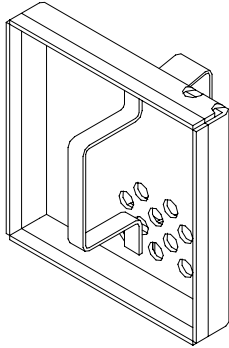


Wash Fill Tube Weldment
05700-002-03-06

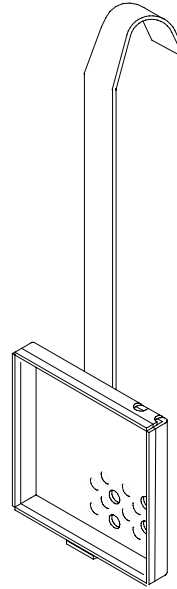
Vellumoid Gasket
05330-111-42-81

Prewash Fill Tube Weldment
(AJ-66 & AJ-80 Models Only)
05700-002-43-18

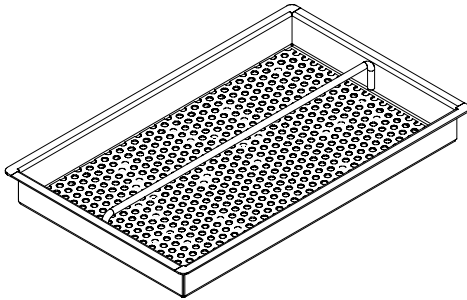
SECTION 5: PARTS SECTION
STRAINERS



**Drain Guard
Strainer Weldment**
05700-002-09-15

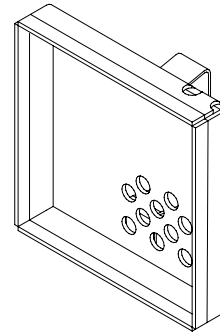


Wash Intake Strainer Weldment (TG Models)
05700-002-51-52



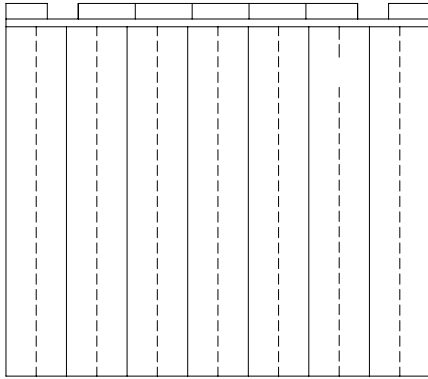
Tub Strainer Weldment
05700-002-03-21

Prewash Pan Strainer
05700-041-85-09

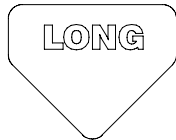


**Screen Strainer
with Handle Weldment**
05700-002-09-04

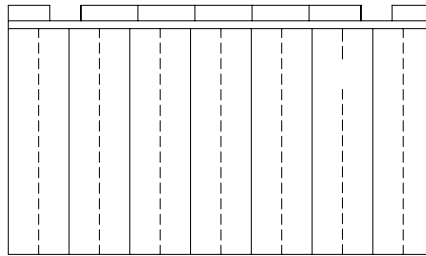
SECTION 5: PARTS SECTION
CURTAINS/TUB MAGNETS



Curtain, 21" Long x 20-1/2" Wide
08415-131-73-45



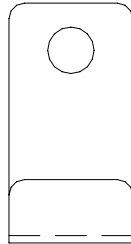
Long Curtain Decal
09905-011-73-84



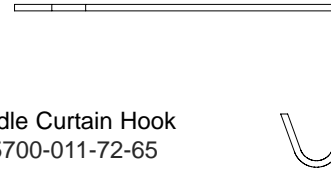
Curtain, 12" Long x 20-1/2" Wide
08415-131-73-44



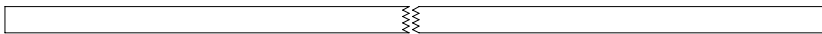
Short Curtain Decal
09905-011-73-82



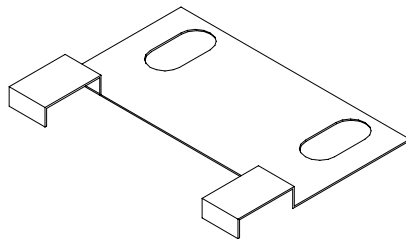
Curtain Hook
05700-011-83-54



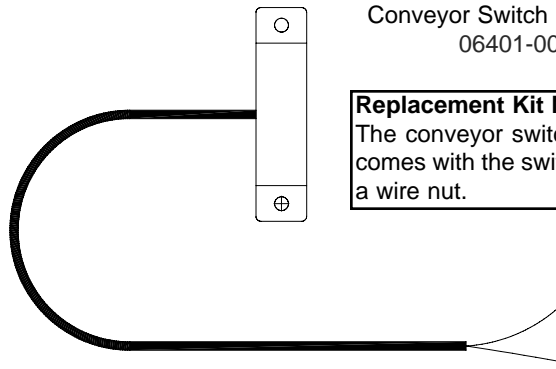
Middle Curtain Hook
05700-011-72-65



Curtain Rod
05700-021-73-43



Limit Switch Bracket
05700-021-71-18

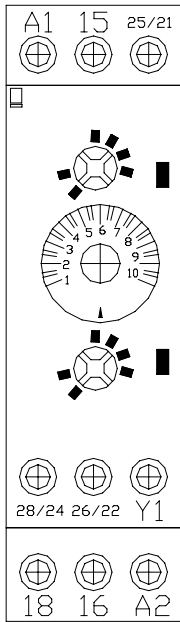


Conveyor Switch Replacement Kit
06401-003-11-79

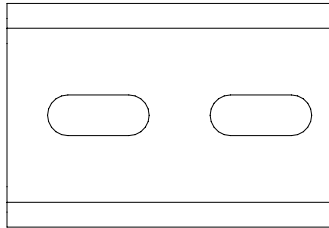
Replacement Kit Note:
The conveyor switch replacement kit comes with the switch, a terminal and a wire nut.

Service Note:
The cord for the conveyor switch needs to be cut to length in the field and have the pink terminal applied there.

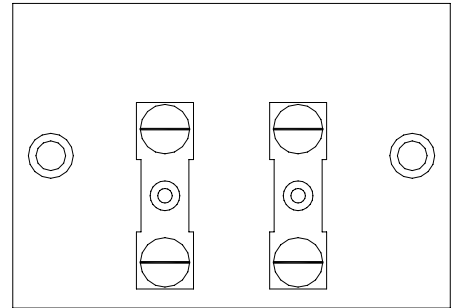
SECTION 5: PARTS SECTION
EXHAUST FAN CONTROL/TABLE LIMIT SWITCH OPTIONS



Delay Timer
 05945-011-65-44



2" Din Rail
 05700-002-36-09



Terminal Board
 05940-011-84-41

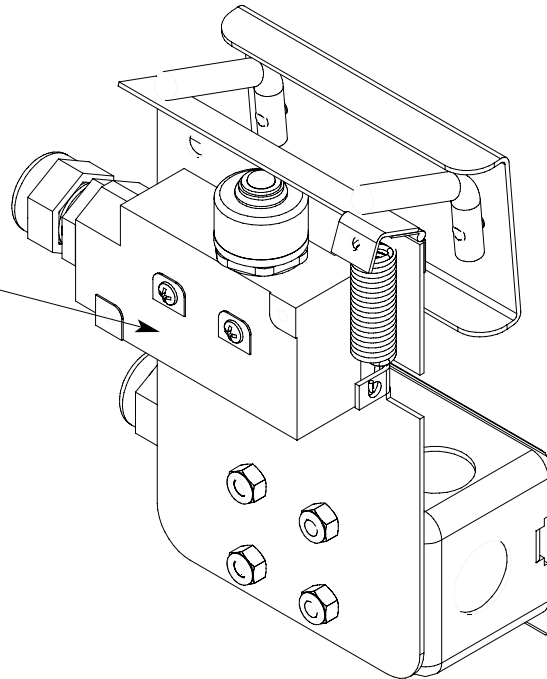
FAN LOAD ON TIMER OUTPUT
5A, 1/4HP, 240 V AC MAX

Decal, Fan Load
 09905-003-32-20

Kit, Exhaust Fan - Electric & Steam Models
 05700-031-90-53

Kit, Exhaust Fan - Gas Models
 05700-003-14-59

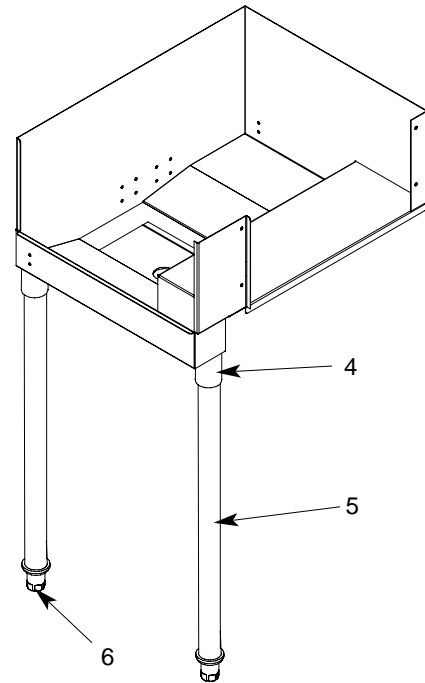
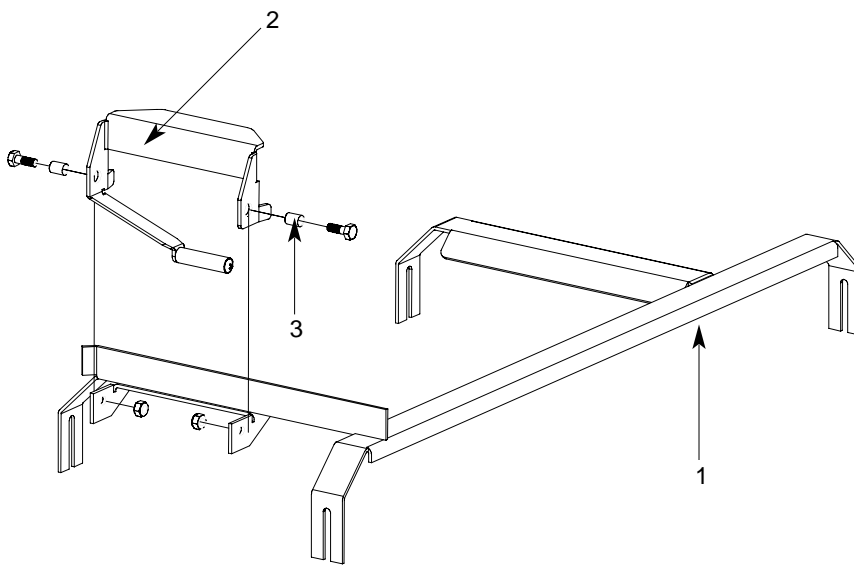
Limit Switch
 05930-002-62-81



Striker Plate Limit Switch
Assembly
 05700-002-62-94

SECTION 5: PARTS SECTION
SIDE LOADER TRACK ASSEMBLY/LEG REPLACEMENTS

**Side loader track assembly
(left to right model shown).**



ITEM	QTY	DESCRIPTION
1	1	Track Weldment (Left to Right) 24"
	1	Track Weldment (Right to Left) 24"
	1	Track Weldment (Left to Right) 30"
	1	Track Weldment (Right to Left) 30"
2	1	Actuator Switch Replacement Kit
3	2	Spacer
4	1	Leg Socket Replacement Kit
5	1	Leg Support Replacement Kit
6	1	Bullet Foot

Mfg. No.
05700-031-78-98
05700-031-95-20
05700-003-04-57
05700-003-04-58
06401-003-10-64
05700-011-71-44
06401-003-09-79
06401-003-09-80
05340-108-01-03

Replacement Kits Notes:

The actuator switch replacement kit comes with the actuator weldment, mounting hardware and (2) spacers.

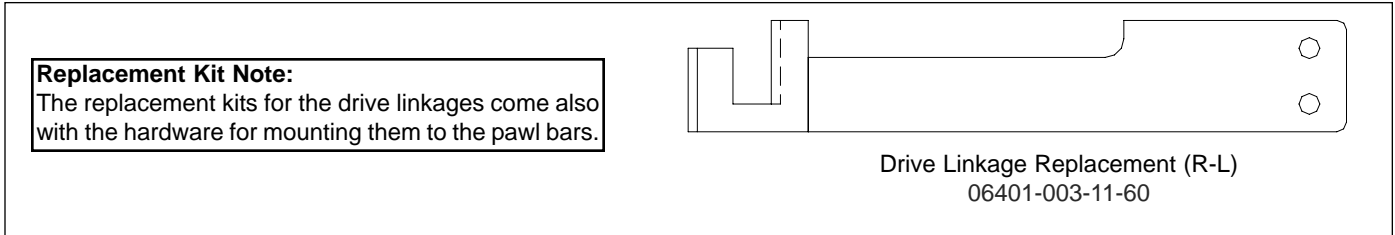
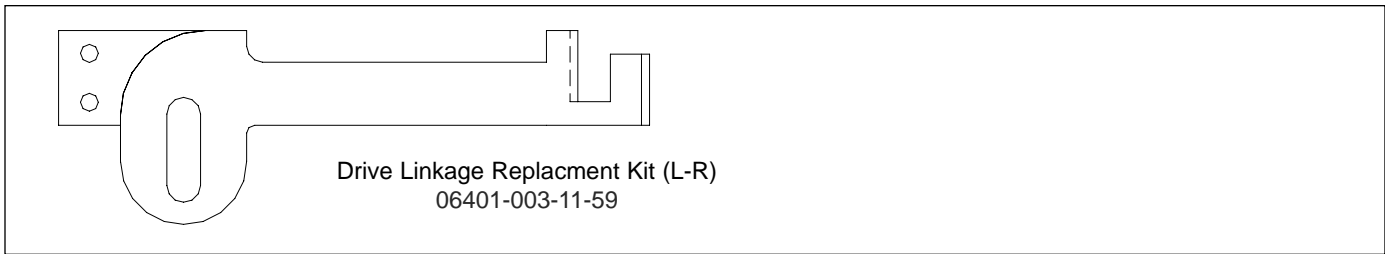
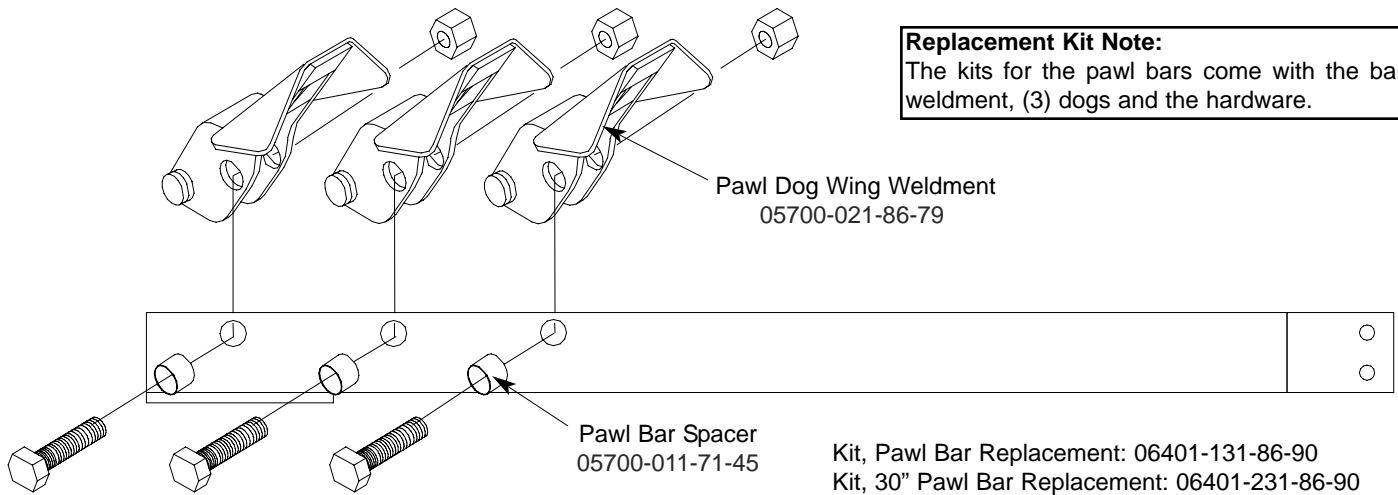
The leg socket replacement kit has the leg socket, mounting hardware and set screw.

The leg support replacement kit has the leg and the bullet foot included.

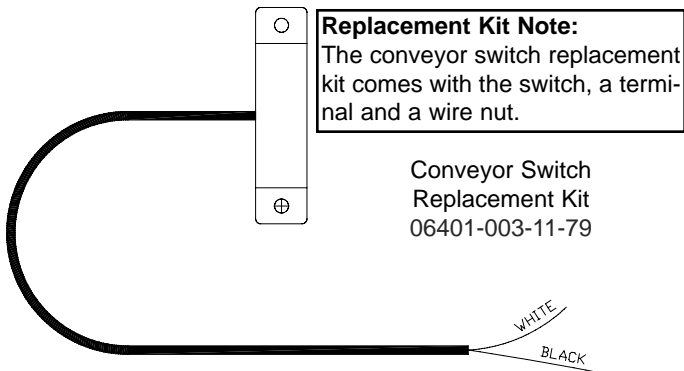
SECTION 5: PARTS SECTION

SIDE LOADER PAWL BAR ASSEMBLIES/STRAINER/MAGNET

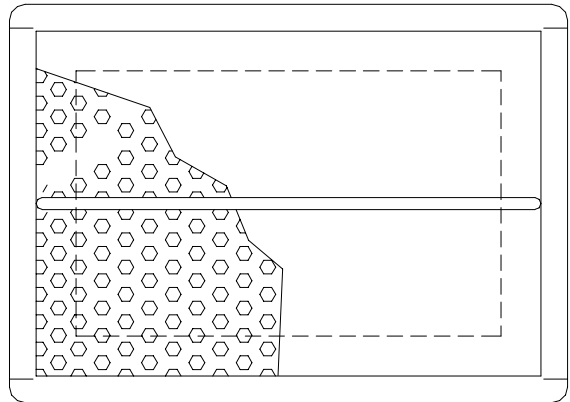
Replacement Kit Note:
The kits for the pawl bars come with the bar weldment, (3) dogs and the hardware.



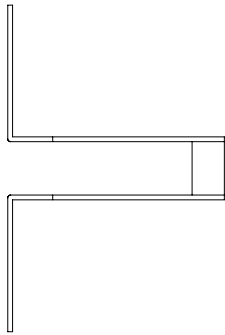
Replacement Kit Note:
The replacement kits for the drive linkages come also with the hardware for mounting them to the pawl bars.



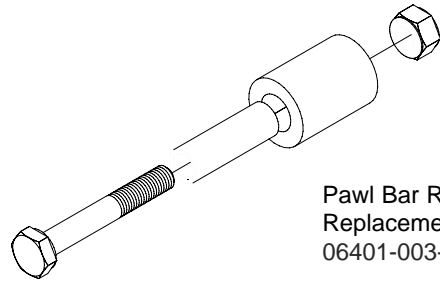
Service Note:
The cord for the conveyor switch needs to be cut to length in the field and have the pink terminal applied there.



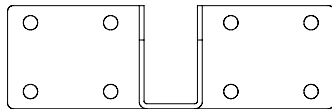
SECTION 5: PARTS SECTION
SIDE LOADER PAWL BAR ASSOCIATED PARTS



Pawl Bar Roller Bracket
05700-031-77-94



Pawl Bar Roller Replacement Kit
06401-003-11-80

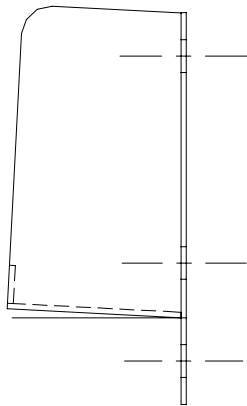


Replacement Kit Notes:

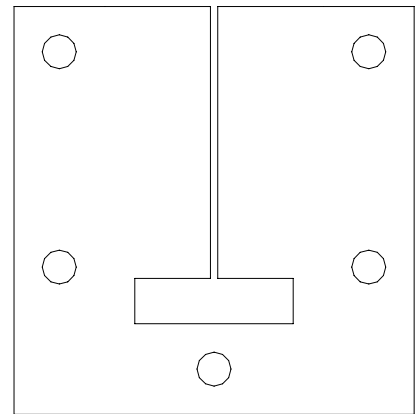
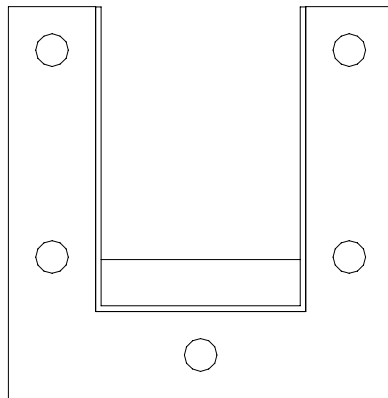
The replacement kit for the pawl bar roller comes with the roller, roller shaft, hardware and locknut as shown.

Associated Hardware:

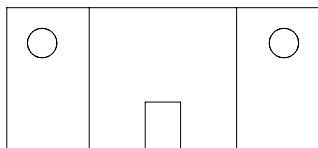
- | | |
|--|-----------------|
| Washer, 1/4"-20 I.D. | 05311-174-01-00 |
| Locknut, 1/4"-20 S.S. Hex w/Nylon Insert | 05310-374-01-00 |



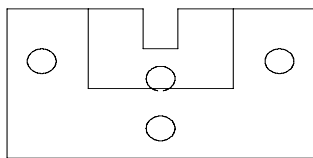
Pawl Bar Gutter Weldment Replacement Kit
06401-003-09-95



Drive Gutter Gasket
05330-011-68-55



Top Guide Block



Bottom Guide Block

Guide Block Replacement Kit
06401-003-10-15

Replacement Kit Notes:

The pawl bar gutter kit includes the weldment, lock-nuts and the gasket. The guide block kits includes the blocks and the gasket.

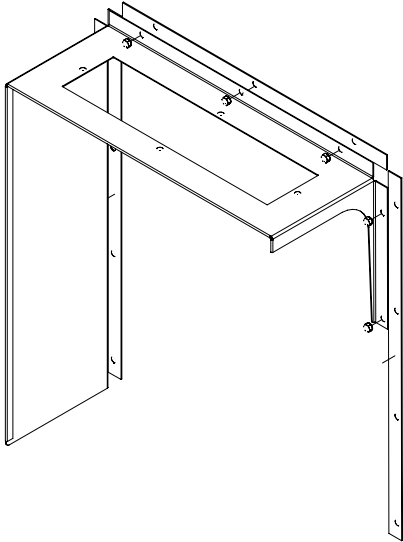
Service Note:

Because of wear patterns that develop over time, it is highly recommended that when replacing either of the guide blocks, that the other be replaced as well from the kit.

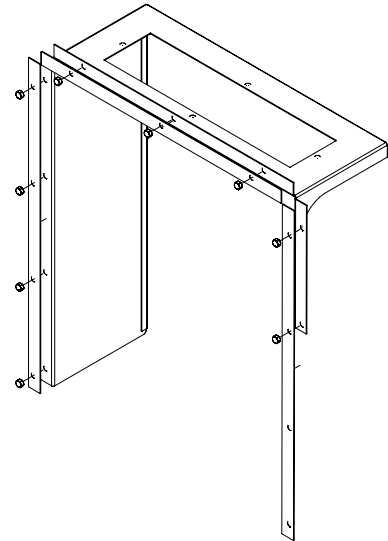
SECTION 5: PARTS SECTION

SIDE LOADER VENT COWL OPTION

Vent Cowl Replacement Kit (Left to Right)
06401-003-11-81



Vent Cowl Replacement Kit (Right to Left)
06401-003-11-83



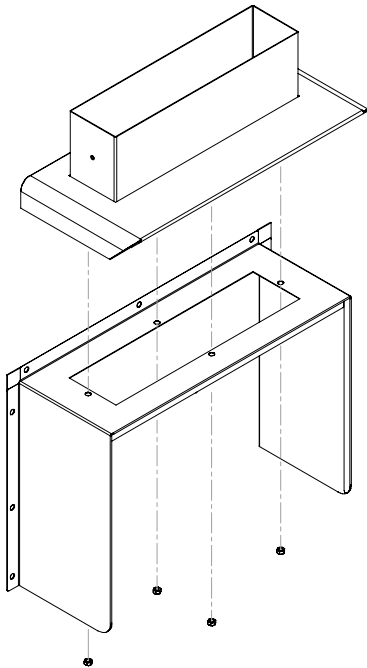
Service Note:
One of the side gaskets that come in the kit will need to be cut to length in order to fit properly on the unit when replaced.

Replacement Kit Note:
The replacement kit(s) for the vent cowls come with the cowls, the gaskets and mounting hardware.

Vent Cowl Gasket, Top: 05330-031-83-47
Vent Cowl Gasket, Side: 05330-031-83-48

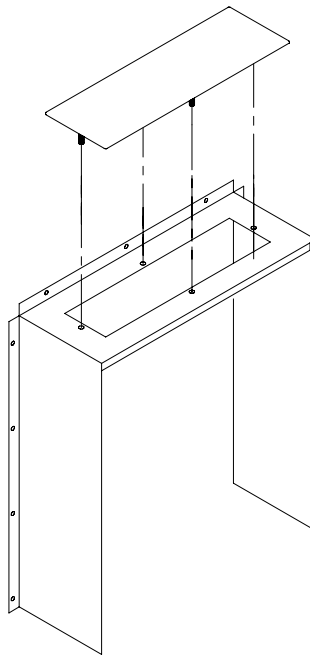
VENT SCOOP OPTION

Vent Scoop Assembly
05700-002-04-08



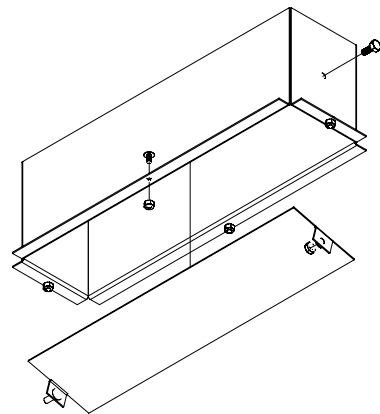
STANDARD ASSEMBLY

Vent Cowl Cover Replacement Kit
06401-003-10-16



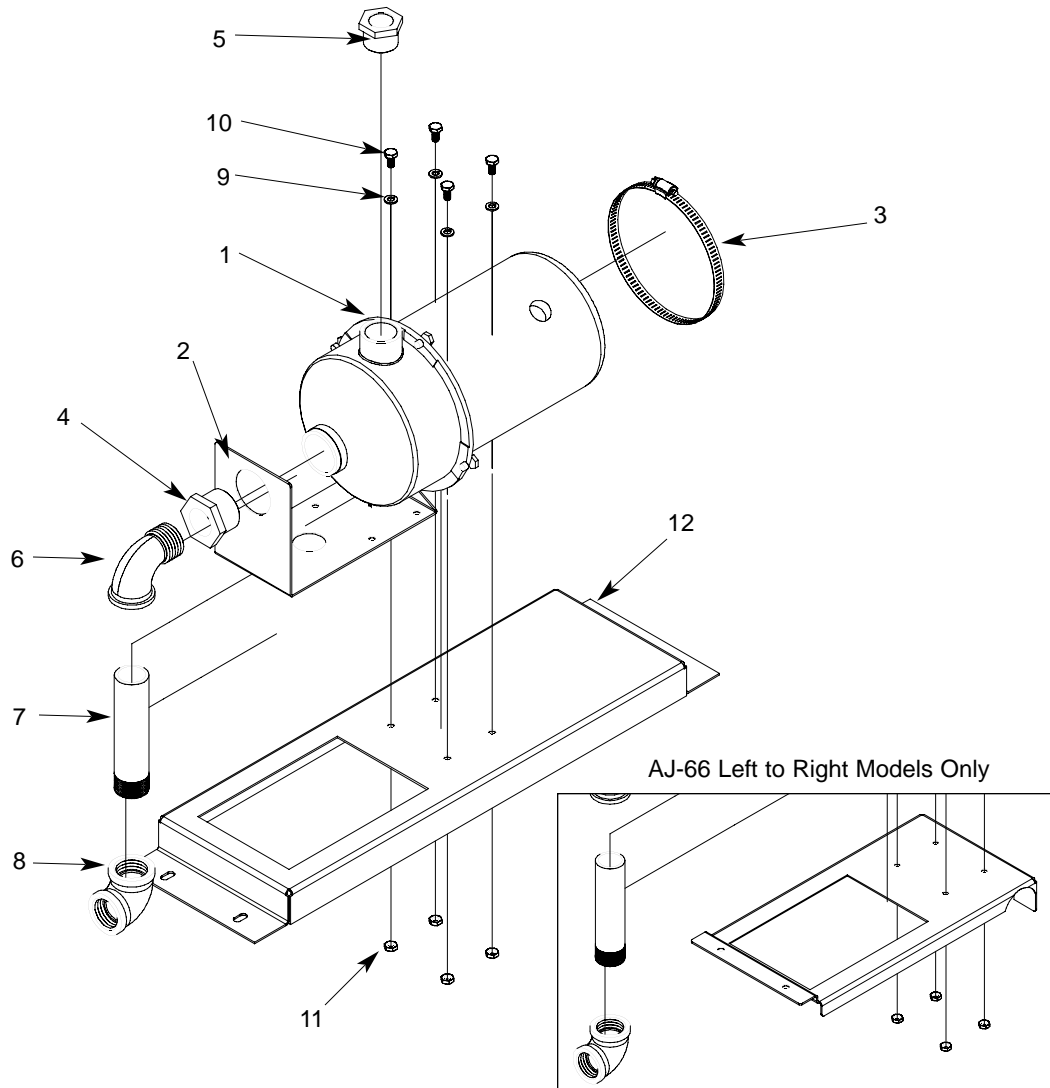
Replacement Kit Note:
The cover kit contains the cover and the hardware for mounting it.

VENT COWL ASSEMBLY FOR
HOODED SIDE LOADER OPTION
05700-003-05-66



SECTION 5: PARTS SECTION

RINSE FILL OPTION

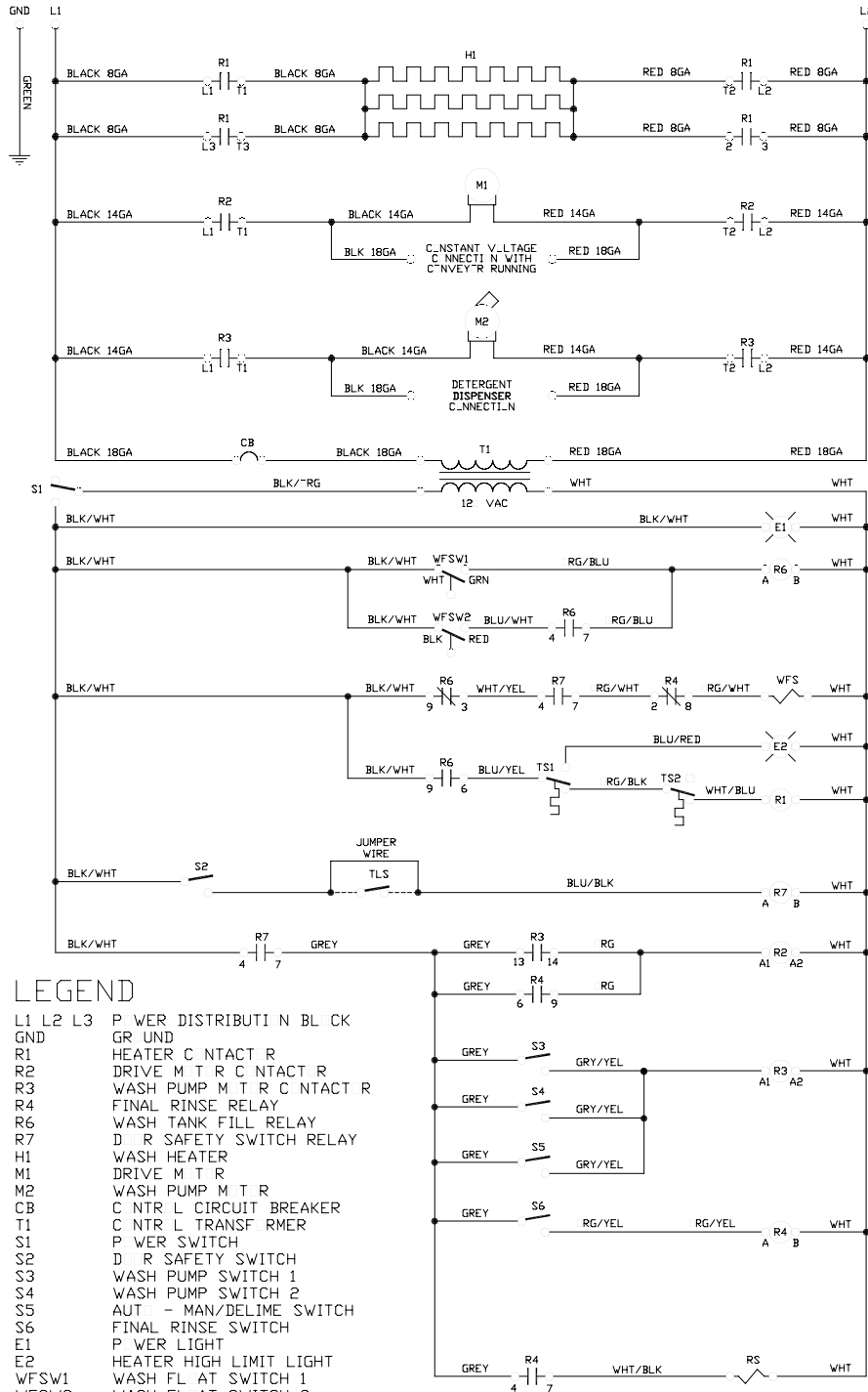


ITEM	QTY	DESCRIPTION	Mfg. No.
	1	Rinse Fill Motor Assembly	05700-002-40-25
	1	Rinse Fill Motor Assembly (TS-66 Left to Right Models Only)	05700-002-48-22
1	1	Motor	06105-002-72-71
2	1	Bracket, Pump Mounting	05700-002-63-59
3	1	Clamp, Hose 5 5/8" to 6"	04730-011-34-90
4	1	Reducer Bushing, 1 1/4" to 1"	04730-002-73-62
5	1	Reducer Bushing 1" to 3/4"	04730-011-65-14
6	1	Elbow, 90 Deg., 1" Street	04730-002-11-99
7	1	Nipple, 1" NPT x 6" Long Brass	04730-002-12-00
8	1	Elbow, 90 Deg. Brass Female	04730-002-12-55
9	4	Lockwasher, 1/4"	05311-274-01-00
10	4	Bolt, 1/4"-20 x 1/2" Long	05305-274-02-00
11	4	Nut, Hex S/S 1/4"-20	05310-274-01-00
12	1	Rinse Motor Mounting Bracket	05700-002-38-90
12	1	Rinse Motor Mounting Bracket (TS-66 Left to Right Models Only)	05700-002-39-33

SECTION 6: ELECTRICAL SCHEMATICS

SECTION 6: ELECTRICAL SCHEMATICS

TS-44/TSC-44 (208-230 VOLT, 60 HZ, 1 PHASE)



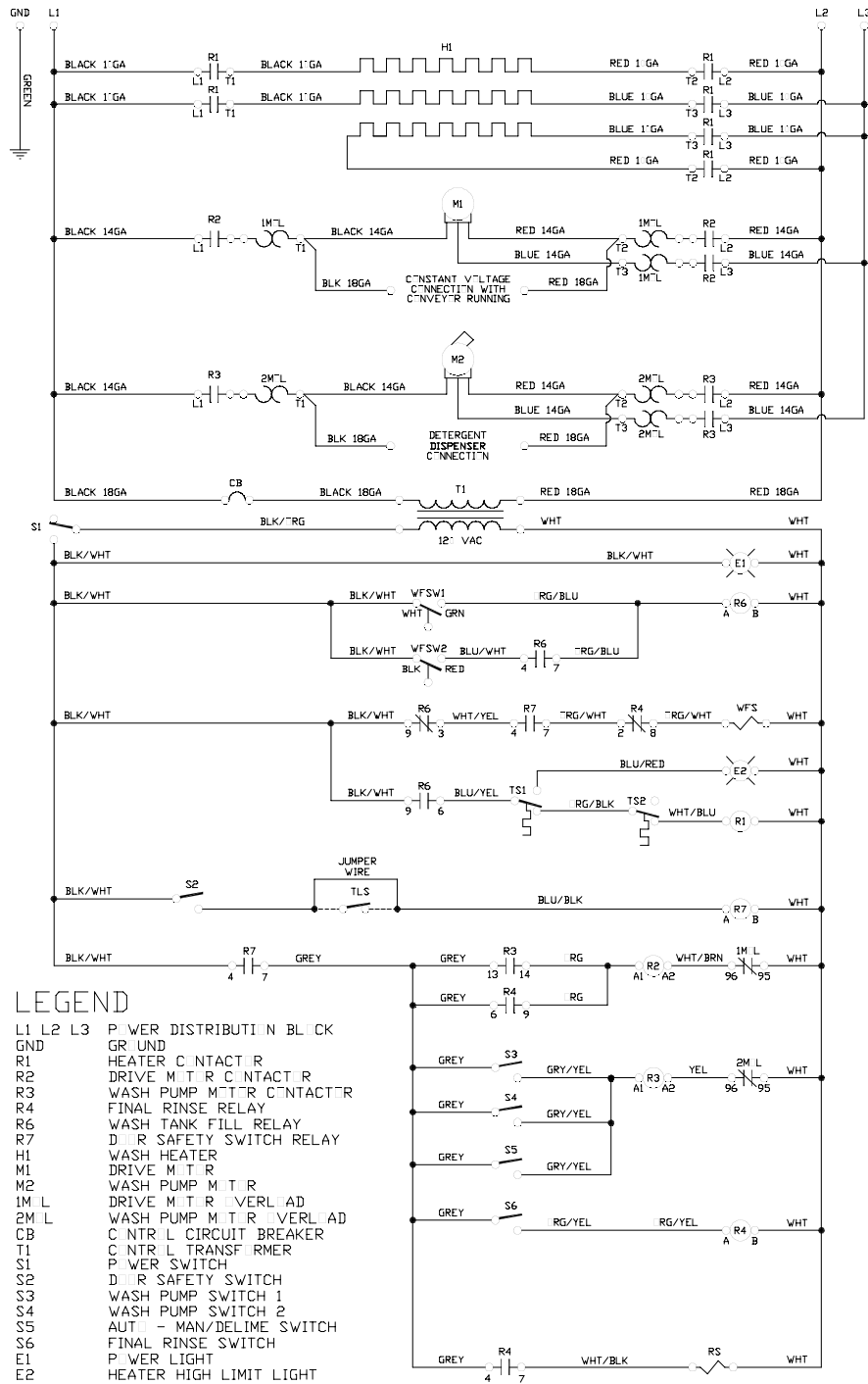
LEGEND

- L1 L2 L3 POWER DISTRIBUTION BLACK
- GND GRUND
- R1 HEATER CONTACT R
- R2 DRIVE MOTOR CONTACT R
- R3 WASH PUMP MOTOR CONTACT R
- R4 FINAL RINSE RELAY
- R6 WASH TANK FILL RELAY
- R7 DOR SAFETY SWITCH RELAY
- H1 WASH HEATER
- M1 DRIVE MOTOR
- M2 WASH PUMP MOTOR
- CB CENTRAL CIRCUIT BREAKER
- T1 CENTRAL TRANSFORMER
- S1 POWER SWITCH
- S2 DOR SAFETY SWITCH
- S3 WASH PUMP SWITCH 1
- S4 WASH PUMP SWITCH 2
- S5 AUT - MAN/DELIME SWITCH
- S6 FINAL RINSE SWITCH
- E1 POWER LIGHT
- E2 HEATER HIGH LIMIT LIGHT
- WFSW1 WASH FLAT SWITCH 1
- WFSW2 WASH FLAT SWITCH 2
- TS1 HEATER HIGH LIMIT THERM STAT
- TS2 WASH REGULATING THERM STAT
- TLS TABLE LIMIT SWITCH (PTI NAL)
- WFS WASH FILL SLENID
- RS FINAL RINSE SLENID

99-5-112-95-79.

SECTION 6: ELECTRICAL SCHEMATICS

TS-44/TSC-44 (208-230 VOLT, 60 HZ, 3 PHASE)



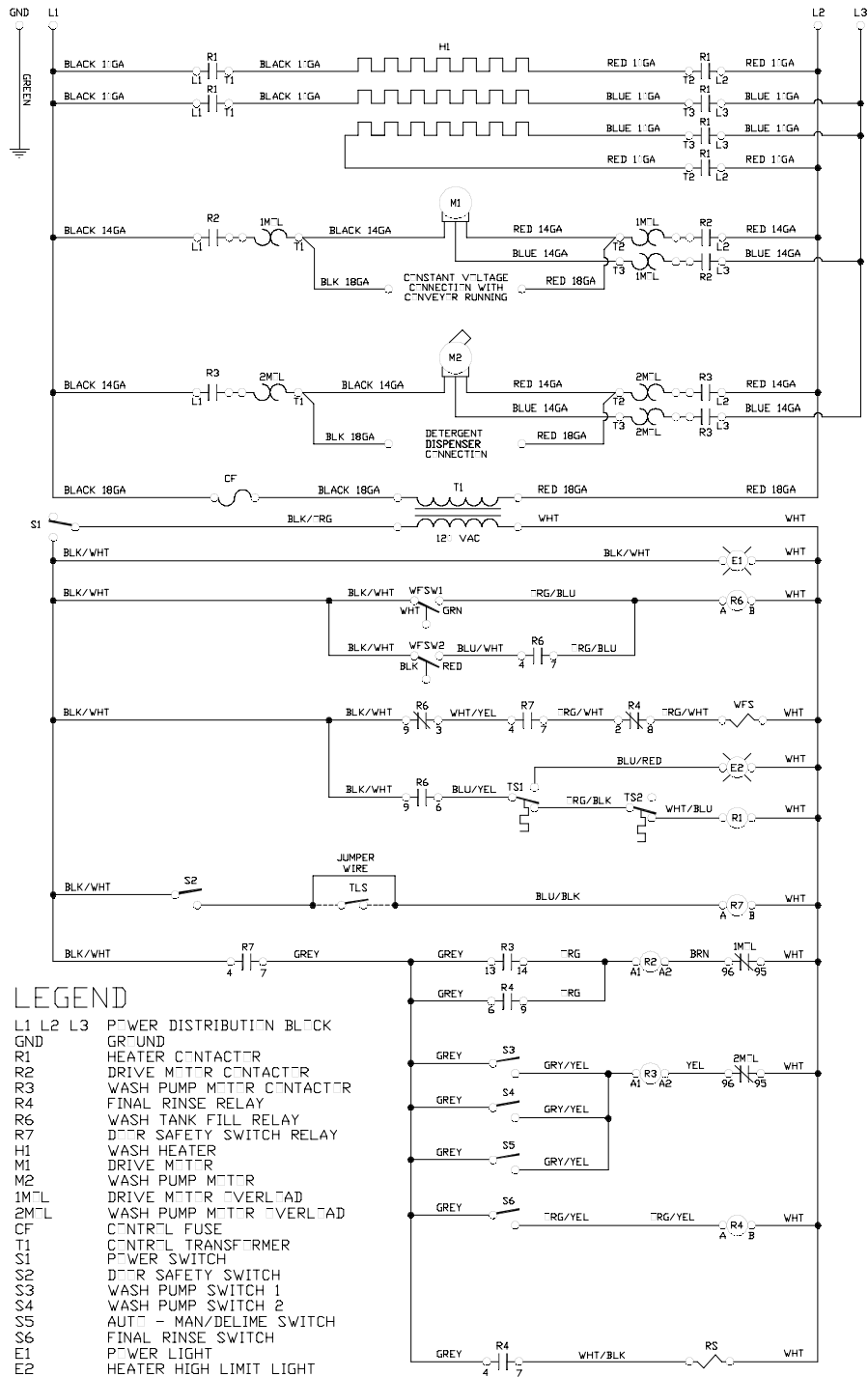
LEGEND

- L1 L2 L3 POWER DISTRIBUTION BLACK
- GND GROUND
- R1 HEATER CONTACTOR
- R2 DRIVE MOTOR CONTACTOR
- R3 WASH PUMP MOTOR CONTACTOR
- R4 FINAL RINSE RELAY
- R6 WASH TANK FILL RELAY
- R7 DRY SAFETY SWITCH RELAY
- H1 WASH HEATER
- M1 DRIVE MOTOR
- M2 WASH PUMP MOTOR
- 1M L DRIVE MOTOR OVERLOAD
- 2M L WASH PUMP MOTOR OVERLOAD
- CB CENTRAL CIRCUIT BREAKER
- T1 CENTRAL TRANSFORMER
- S1 POWER SWITCH
- S2 DRY SAFETY SWITCH
- S3 WASH PUMP SWITCH 1
- S4 WASH PUMP SWITCH 2
- S5 AUTOMAN/DELTIME SWITCH
- S6 FINAL RINSE SWITCH
- E1 POWER LIGHT
- E2 HEATER HIGH LIMIT LIGHT
- WFS1 WASH FLAT SWITCH 1
- WFS2 WASH FLAT SWITCH 2
- TS1 HEATER HIGH LIMIT THERM STAT
- TS2 WASH REGULATING THERM STAT
- TLS TABLE LIMIT SWITCH (PTI NAL)
- WFS WASH FILL SLEN ID
- RS FINAL RINSE SLEN ID

99 5-002-95-38

SECTION 6: ELECTRICAL SCHEMATICS

TS-44/TSC-44 (460-600 VOLTS, 60 HZ, 3 PHASE)

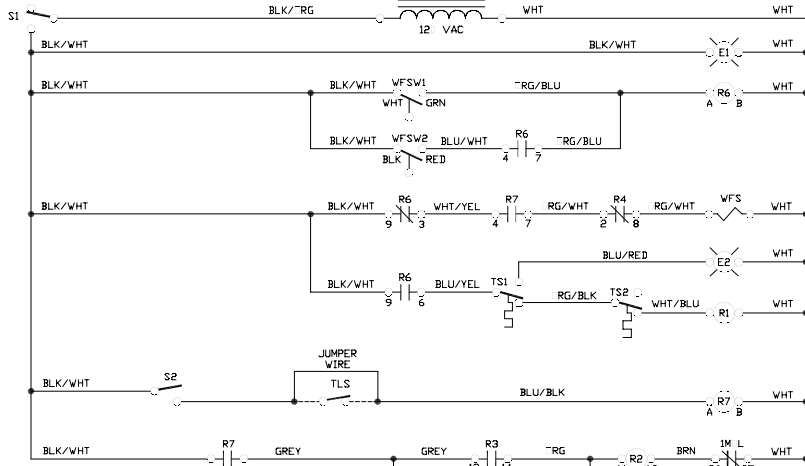
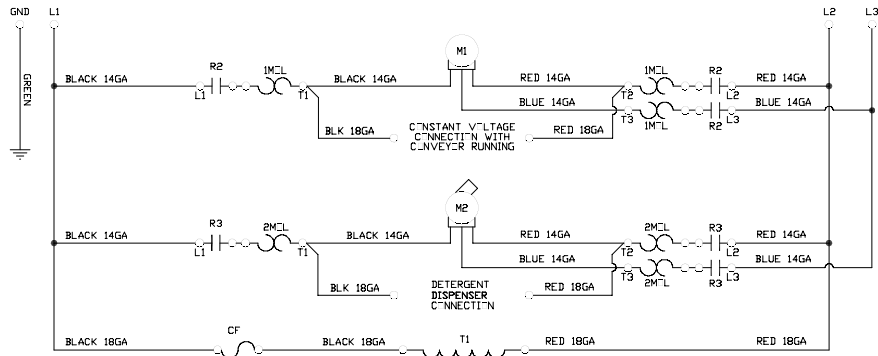
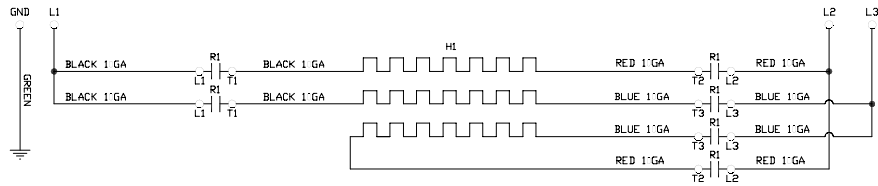


- LEGEND**
- L1 L2 L3 POWER DISTRIBUTION BLACK
 - GND GRUND
 - R1 HEATER CONTACTOR
 - R2 DRIVE MOTOR CONTACTOR
 - R3 WASH PUMP MOTOR CONTACTOR
 - R4 FINAL RINSE RELAY
 - R6 WASH TANK FILL RELAY
 - R7 DTR SAFETY SWITCH RELAY
 - H1 WASH HEATER
 - M1 DRIVE MOTOR
 - M2 WASH PUMP MOTOR
 - 1M'L DRIVE MOTOR OVERLOAD
 - 2M'L WASH PUMP MOTOR OVERLOAD
 - CF CONTROL FUSE
 - T1 CONTROL TRANSFORMER
 - S1 POWER SWITCH
 - S2 DTR SAFETY SWITCH
 - S3 WASH PUMP SWITCH 1
 - S4 WASH PUMP SWITCH 2
 - S5 AUT - MAN/DELIME SWITCH
 - S6 FINAL RINSE SWITCH
 - E1 POWER LIGHT
 - E2 HEATER HIGH LIMIT LIGHT
 - WFSW1 WASH FLAT SWITCH 1
 - WFSW2 WASH FLAT SWITCH 2
 - TS1 HEATER HIGH LIMIT THERMISTAT
 - TS2 WASH REGULATING THERMISTAT
 - TLS TABLE LIMIT SWITCH (OPTIONAL)
 - WFS WASH FILL SLEN'D
 - RS FINAL RINSE SLEN'D

99:5-002-95-800

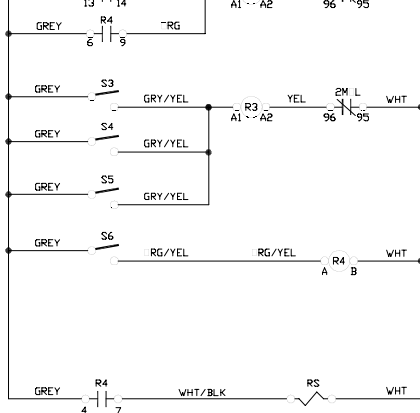
SECTION 6: ELECTRICAL SCHEMATICS

TS-44/TSC-44 DUAL CONNECTION(460 VOLT, 60 HZ, 3 PHASE)



LEGEND

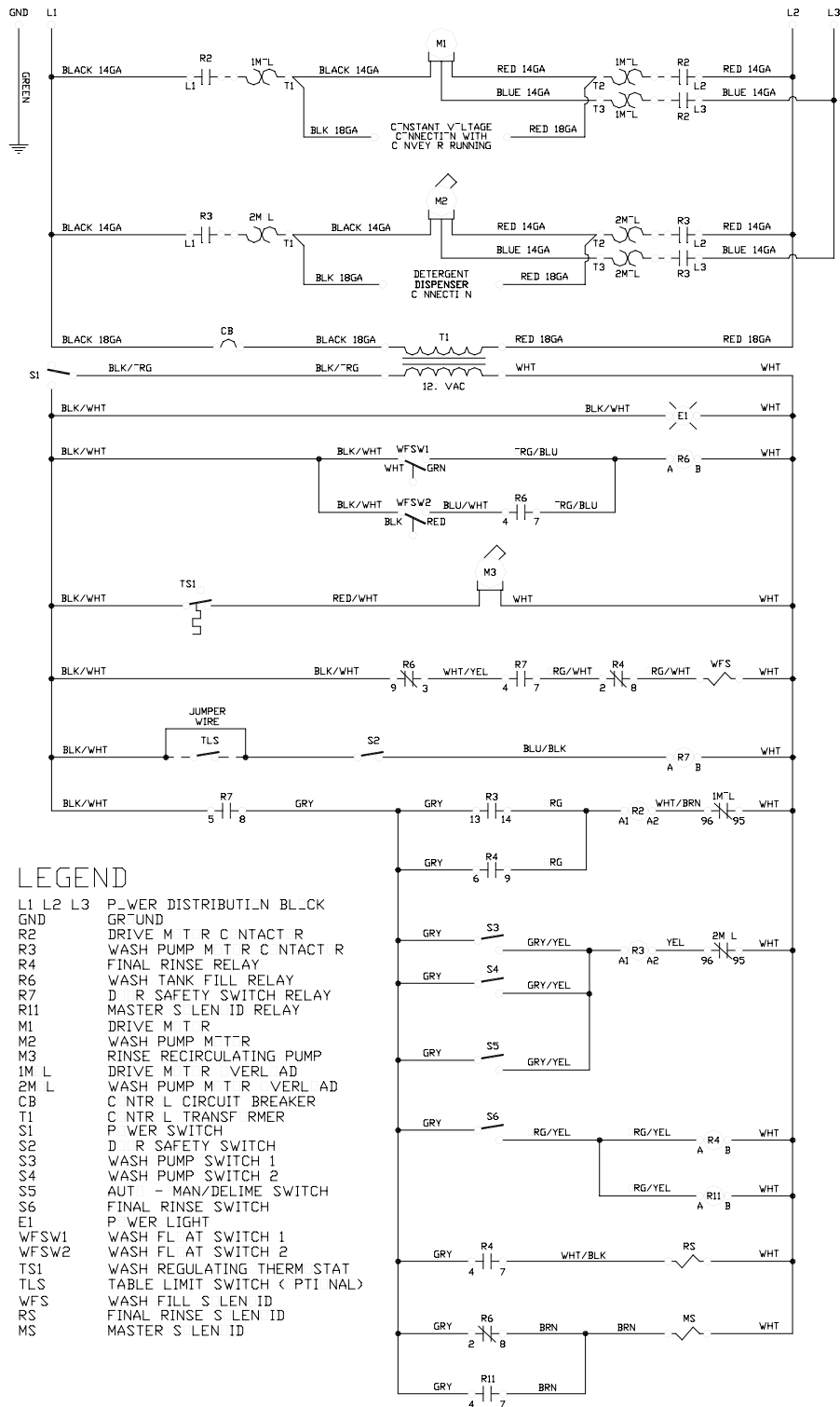
- L1 L2 L3 POWER DISTRIBUTION BLCK
- GND GRUND
- R1 HEATER CONTACTOR
- R2 DRIVE MOTOR CONTACTOR
- R3 WASH PUMP MOTOR CONTACTOR
- R4 FINAL RINSE RELAY
- R6 WASH TANK FILL RELAY
- R7 DETERGENT SAFETY SWITCH RELAY
- H1 WASH HEATER
- M1 DRIVE MOTOR
- M2 WASH PUMP MOTOR
- 1M L DRIVE MOTOR OVERLOAD
- 2M L WASH PUMP MOTOR OVERLOAD
- CF FUSELESS
- T1 CENTRAL TRANSFORMER
- S1 POWER SWITCH
- S2 DETERGENT SAFETY SWITCH
- S3 WASH PUMP SWITCH 1
- S4 WASH PUMP SWITCH 2
- S5 AUTO - MAN/DELIME SWITCH
- S6 FINAL RINSE SWITCH
- E1 POWER LIGHT
- E2 HEATER HIGH LIMIT LIGHT
- WFSW1 WASH FLAT SWITCH 1
- WFSW2 WASH FLAT SWITCH 2
- TS1 HEATER HIGH LIMIT THERM STAT
- TS2 WASH REGULATING THERM STAT
- TLS TABLE LIMIT SWITCH (PTI NAL)
- WFS WASH FILL S LEN ID
- RS FINAL RINSE S LEN ID



99 5-003-16-5

SECTION 6: ELECTRICAL SCHEMATICS

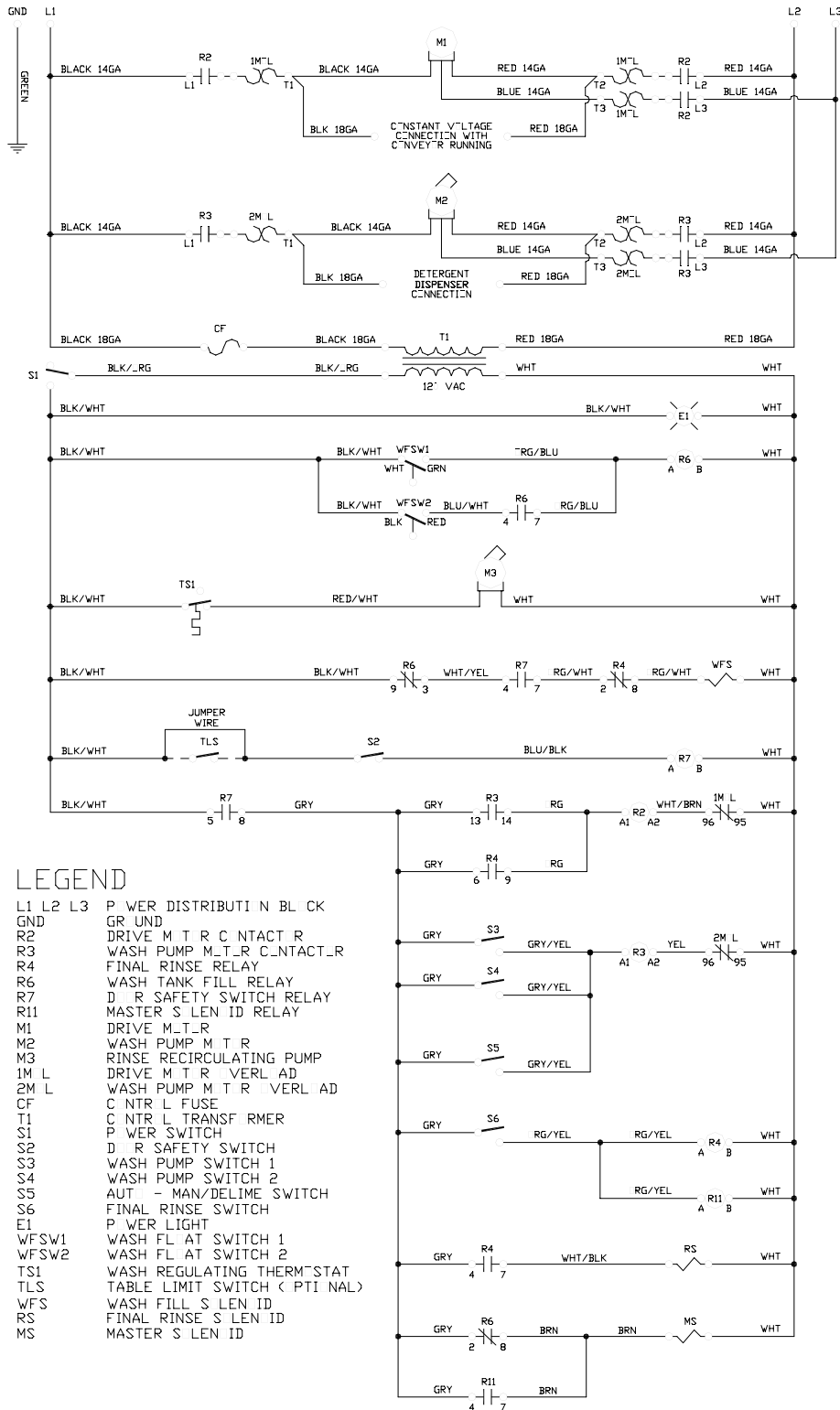
TS-44GP/TSC-44GP (208-230 VOLTS, 60 HZ, 3 PHASE)



99 5- 2-95-81 .

SECTION 6: ELECTRICAL SCHEMATICS

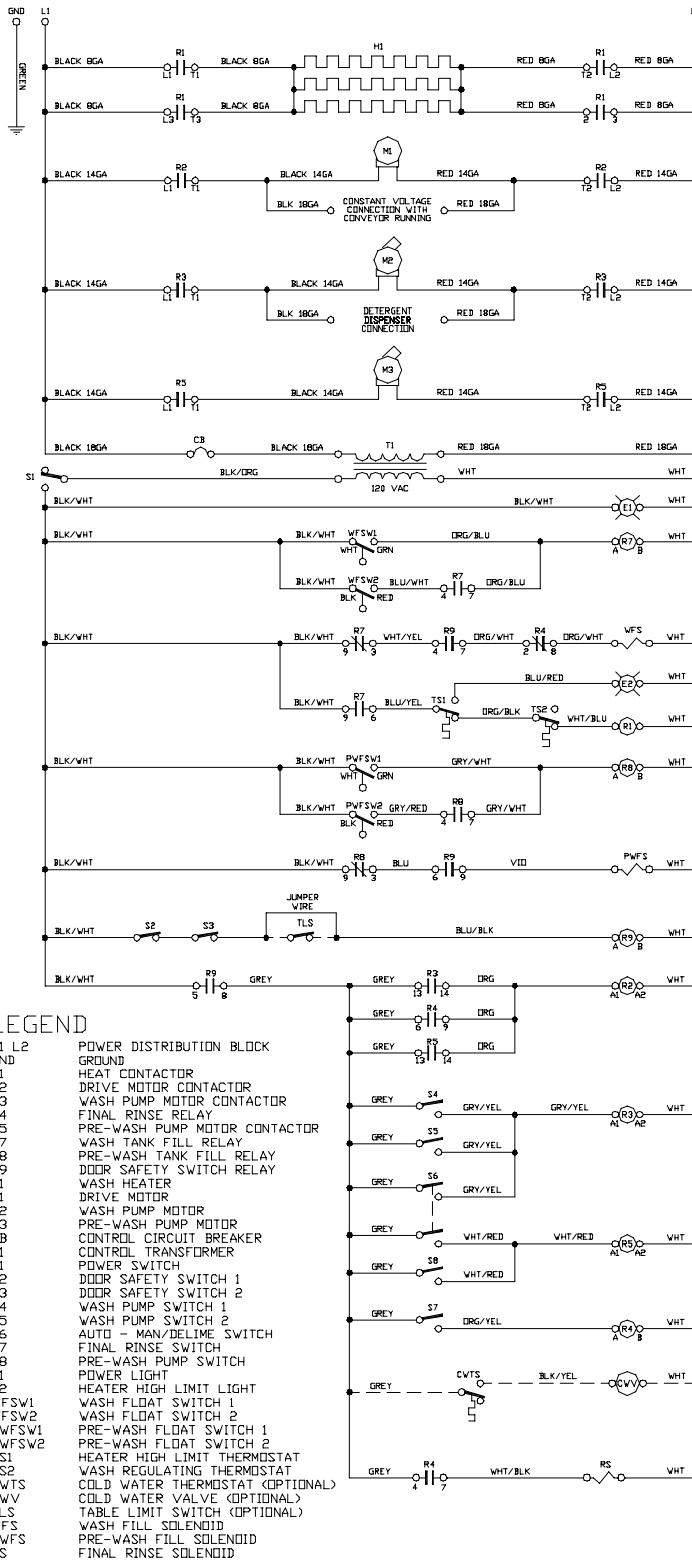
TS-44GP/TSC-44GP (460 VOLTS, 60 HZ, 3 PHASE)



99 5- 2-95-83.

SECTION 6: ELECTRICAL SCHEMATICS

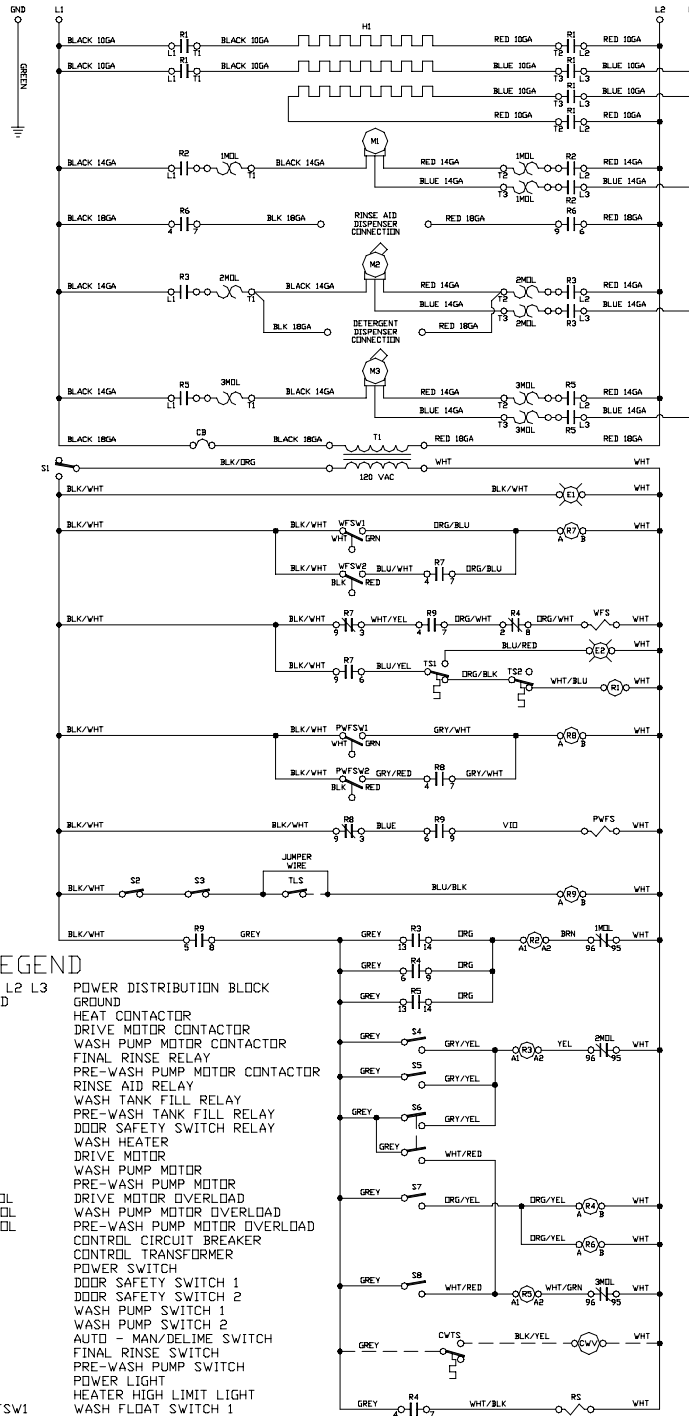
TS-66/TSC-66 (208-230 VOLT, 60 HZ, 1 PHASE)



9905-002-98-49a

SECTION 6: ELECTRICAL SCHEMATICS

TS-66/TSC-66 (208-230 VOLT, 60 HZ, 3 PHASE)



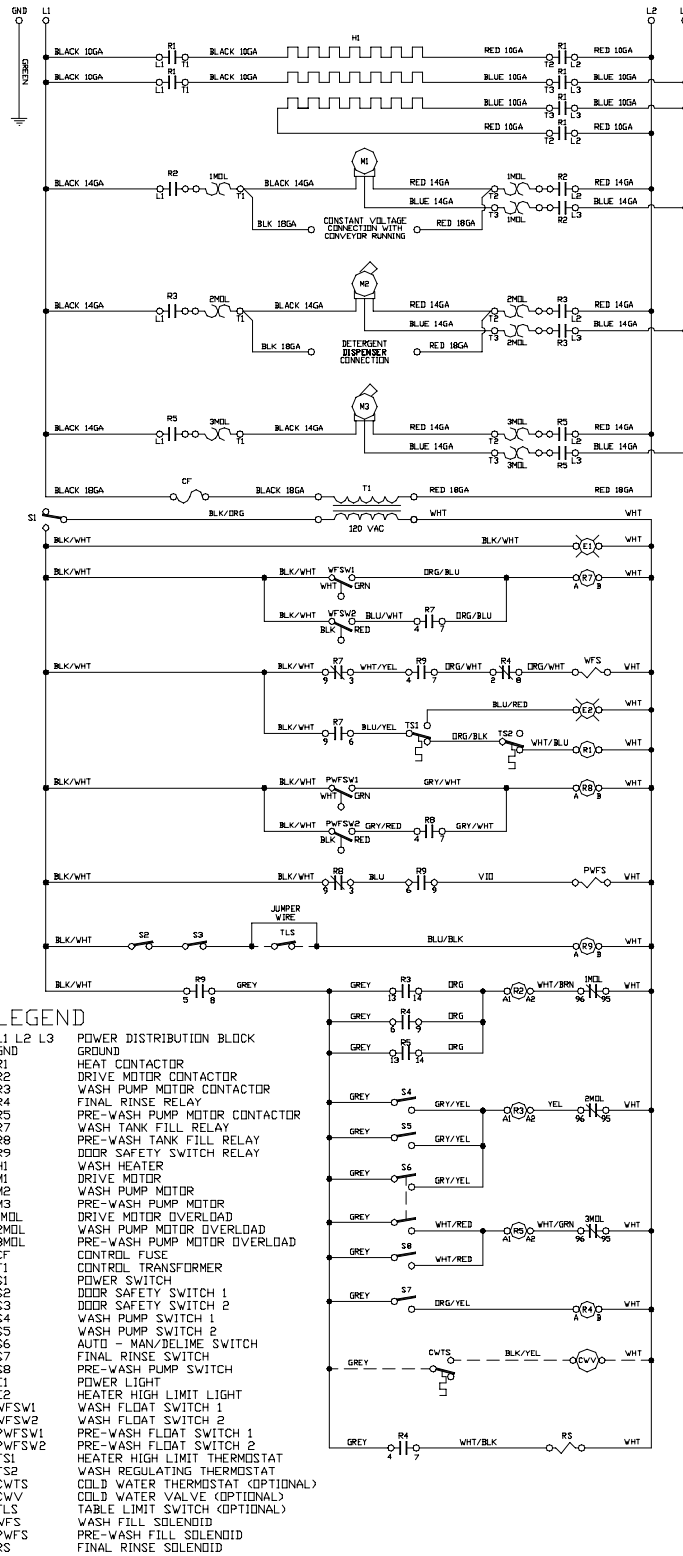
LEGEND

- L1 L2 L3 POWER DISTRIBUTION BLOCK
- GND GROUND
- R1 HEAT CONTACTOR
- R2 DRIVE MOTOR CONTACTOR
- R3 WASH PUMP MOTOR CONTACTOR
- R4 FINAL RINSE RELAY
- R5 PRE-WASH PUMP MOTOR CONTACTOR
- R6 RINSE AID RELAY
- R7 WASH TANK FILL RELAY
- R8 PRE-WASH TANK FILL RELAY
- R9 DOOR SAFETY SWITCH RELAY
- H1 WASH HEATER
- M1 DRIVE MOTOR
- M2 WASH PUMP MOTOR
- M3 PRE-WASH PUMP MOTOR
- 1MDL DRIVE MOTOR OVERLOAD
- 2MDL WASH PUMP MOTOR OVERLOAD
- 3MDL PRE-WASH PUMP MOTOR OVERLOAD
- CB CONTROL CIRCUIT BREAKER
- T1 CONTROL TRANSFORMER
- S1 POWER SWITCH
- S2 DOOR SAFETY SWITCH 1
- S3 DOOR SAFETY SWITCH 2
- S4 WASH PUMP SWITCH 1
- S5 WASH PUMP SWITCH 2
- S6 AUTO - MAN/DELTIME SWITCH
- S7 FINAL RINSE SWITCH
- S8 PRE-WASH PUMP SWITCH
- E1 POWER LIGHT
- E2 HEATER HIGH LIMIT LIGHT
- WFSW1 WASH FLDAT SWITCH 1
- WFSW2 WASH FLDAT SWITCH 2
- PVFSW1 PRE-WASH FLDAT SWITCH 1
- PVFSW2 PRE-WASH FLDAT SWITCH 2
- TS1 HEATER HIGH LIMIT THERMOSTAT
- TS2 WASH REGULATING THERMOSTAT
- CWTS COLD WATER THERMOSTAT (OPTIONAL)
- CWV COLD WATER VALVE (OPTIONAL)
- TLS TABLE LIMIT SWITCH (OPTIONAL)
- WFS WASH FILL SOLENOID
- PVFS PRE-WASH FILL SOLENOID
- RS FINAL RINSE SOLENOID

9905-002-93-82

SECTION 6: ELECTRICAL SCHEMATICS

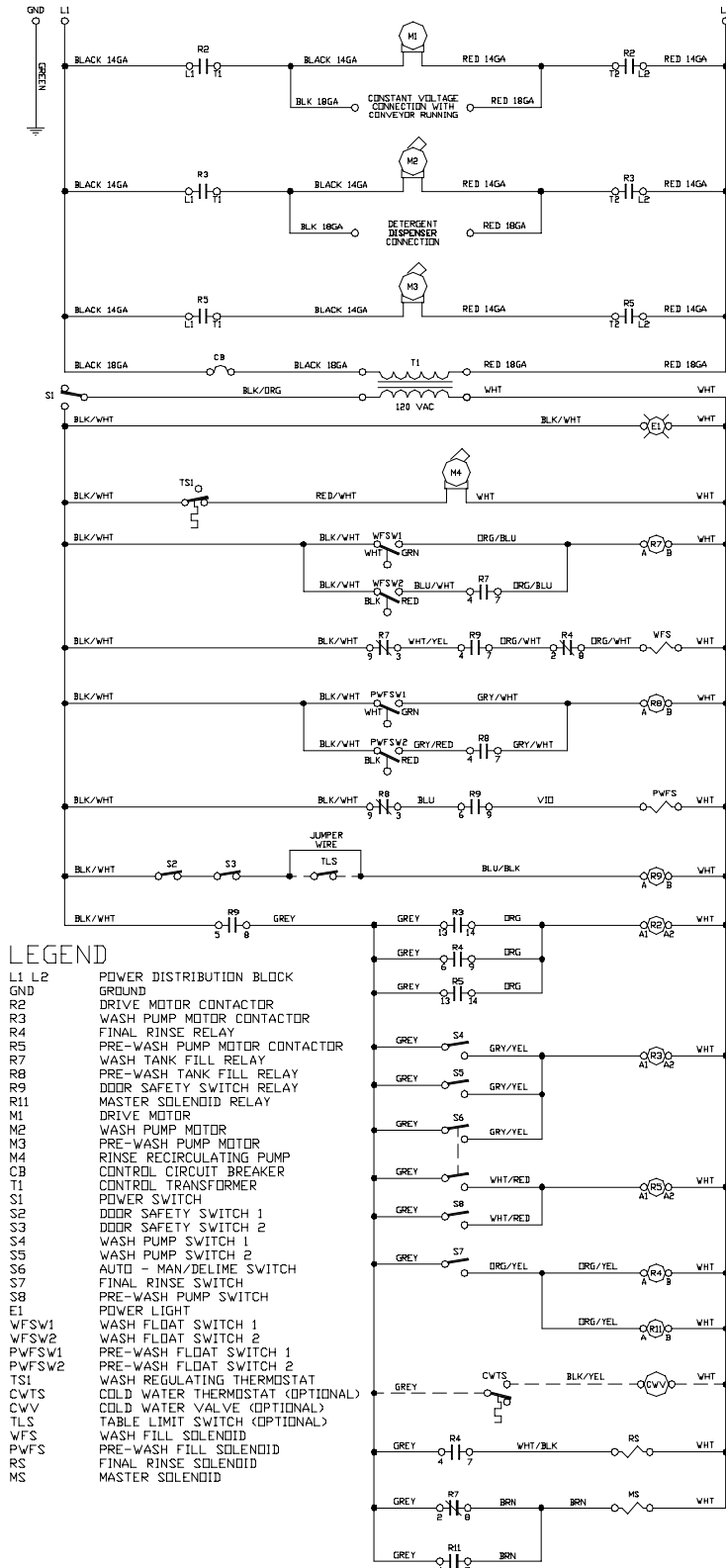
TS-66/TSC-66 (460-600 VOLTS, 60 HZ, 3 PHASE)



9905-002-98-50a

SECTION 6: ELECTRICAL SCHEMATICS

TS-66GP/TSC-66GP (208-230 VOLTS, 60 HZ, 1 PHASE)

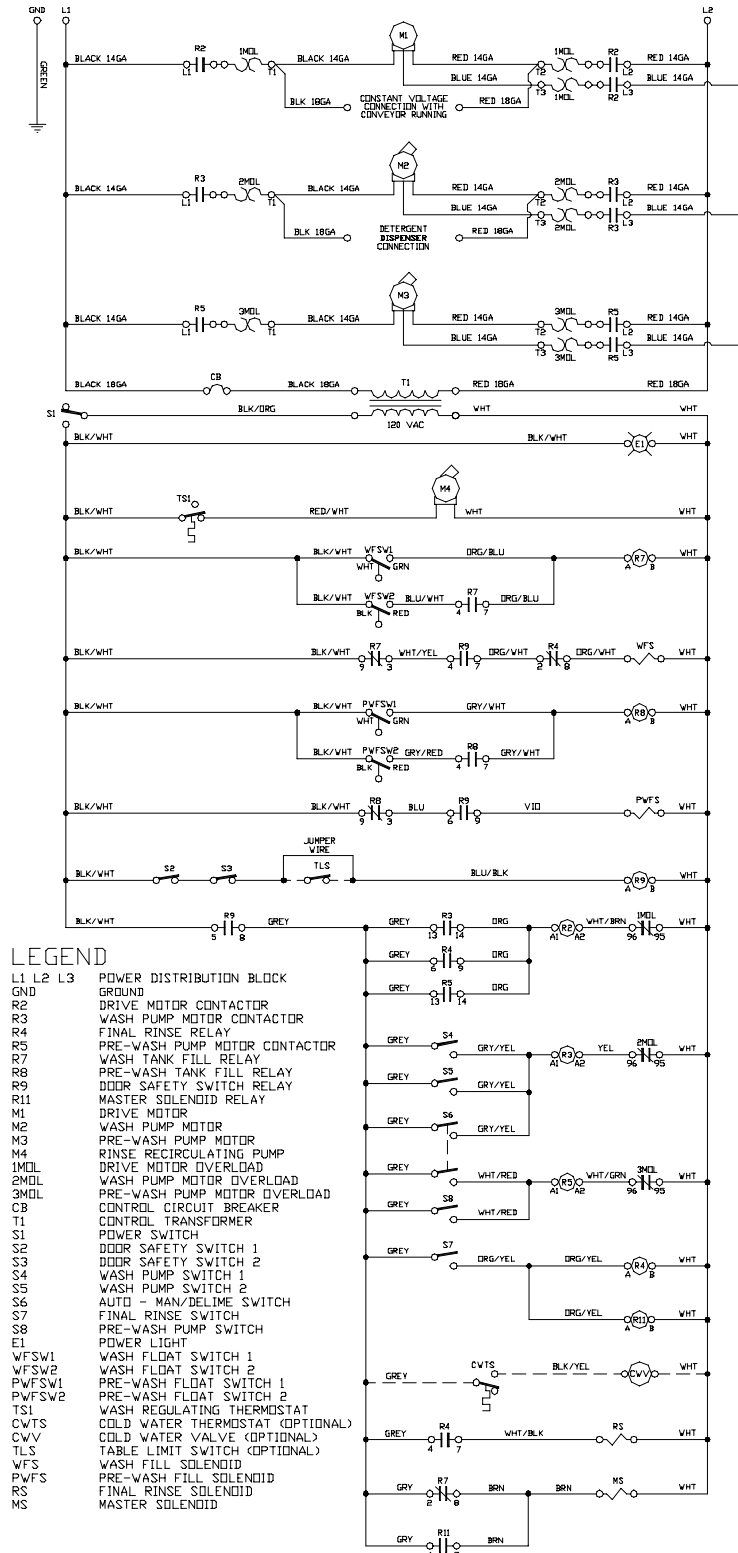


- LEGEND**
- LI L2 POWER DISTRIBUTION BLOCK
 - GND GROUND
 - R2 DRIVE MOTOR CONTACTOR
 - R3 WASH PUMP MOTOR CONTACTOR
 - R4 FINAL RINSE RELAY
 - R5 PRE-WASH PUMP MOTOR CONTACTOR
 - R7 WASH TANK FILL RELAY
 - R8 PRE-WASH TANK FILL RELAY
 - R9 DOOR SAFETY SWITCH RELAY
 - R11 MASTER SOLENOID RELAY
 - M1 DRIVE MOTOR
 - M2 WASH PUMP MOTOR
 - M3 PRE-WASH PUMP MOTOR
 - M4 RINSE RECIRCULATING PUMP
 - CB CONTROL CIRCUIT BREAKER
 - T1 CONTROL TRANSFORMER
 - S1 POWER SWITCH
 - S2 DOOR SAFETY SWITCH 1
 - S3 DOOR SAFETY SWITCH 2
 - S4 WASH PUMP SWITCH 1
 - S5 WASH PUMP SWITCH 2
 - S6 AUTO - MAN/DELIME SWITCH
 - S7 FINAL RINSE SWITCH
 - S8 PRE-WASH PUMP SWITCH
 - E1 POWER LIGHT
 - WFSW1 WASH FLOAT SWITCH 1
 - WFSW2 WASH FLOAT SWITCH 2
 - PWFSW1 PRE-WASH FLOAT SWITCH 1
 - PWFSW2 PRE-WASH FLOAT SWITCH 2
 - WASH REGULATING THERMOSTAT
 - CWT COLD WATER THERMOSTAT (OPTIONAL)
 - CVV COLD WATER VALVE (OPTIONAL)
 - TLS TABLE LIMIT SWITCH (OPTIONAL)
 - WFS WASH FILL SOLENOID
 - PWFS PRE-WASH FILL SOLENOID
 - RS FINAL RINSE SOLENOID
 - MS MASTER SOLENOID

9905-002-98-52a

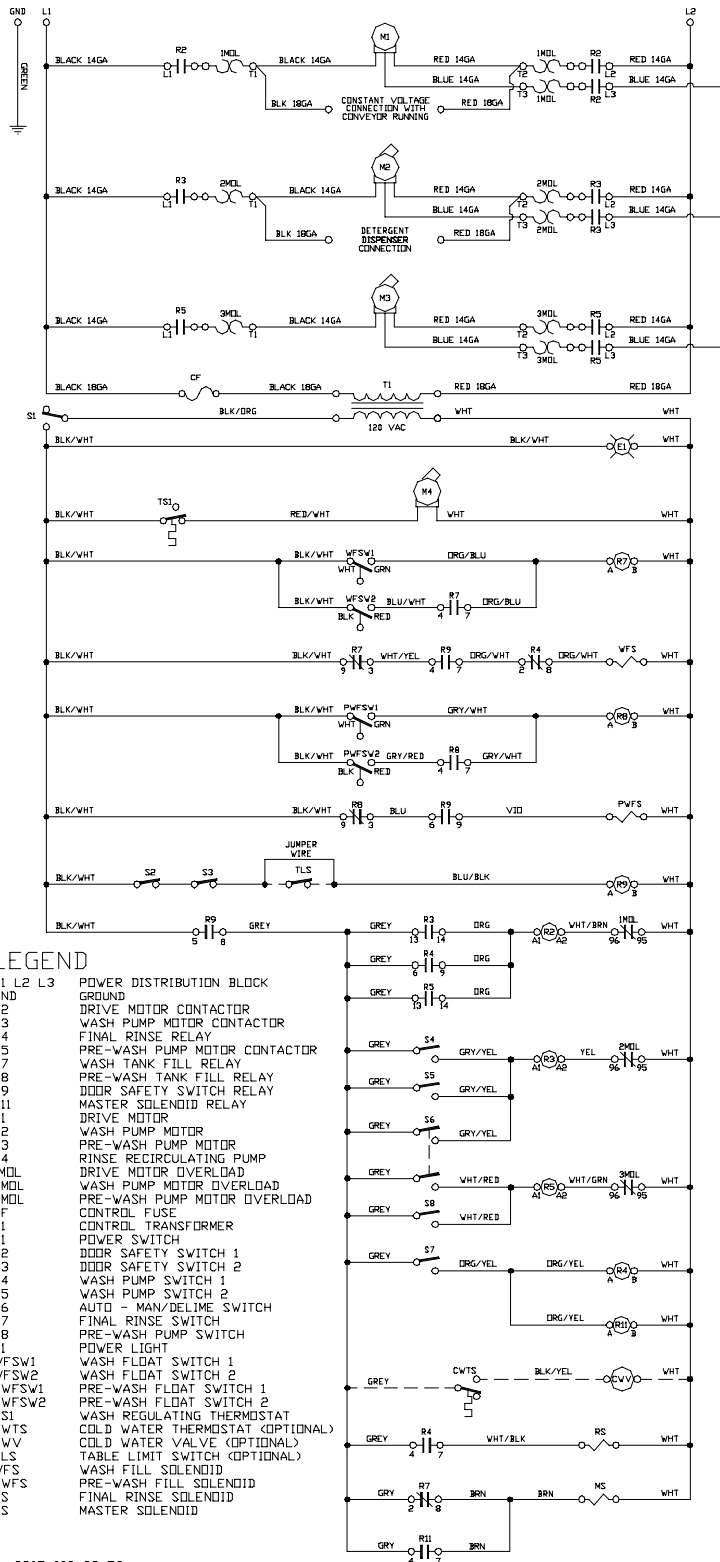
SECTION 6: ELECTRICAL SCHEMATICS

TS-66GP/TSC-66GP (208-230 VOLTS, 60 HZ, 3 PHASE)



SECTION 6: ELECTRICAL SCHEMATICS

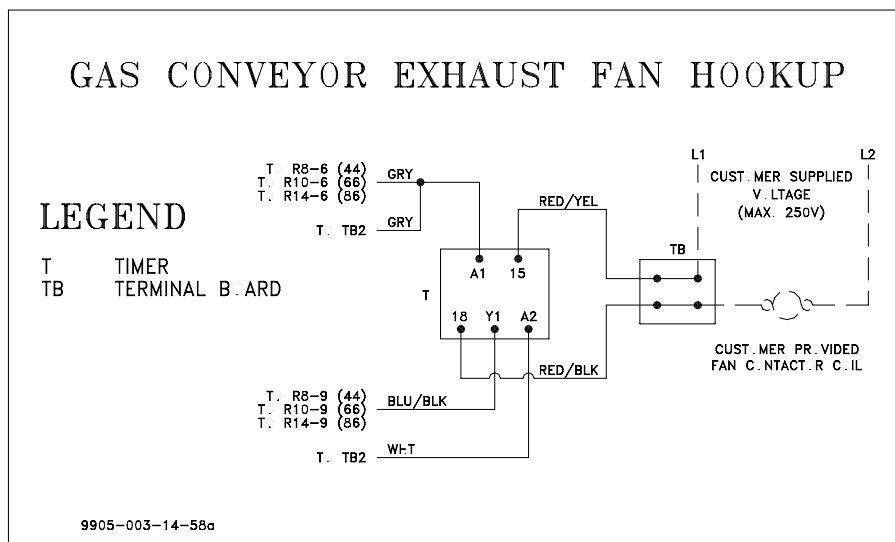
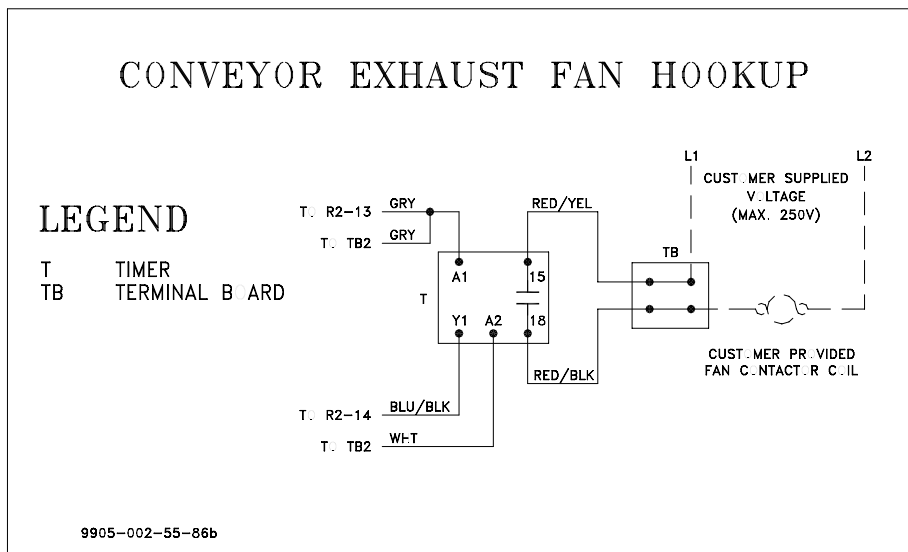
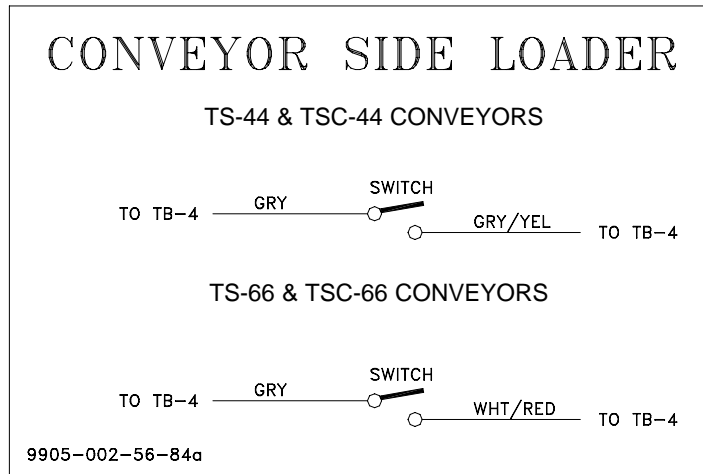
TS-66GP/TSC-66GP (460 VOLTS, 60 HZ, 3 PHASE)



9905-002-98-536

SECTION 6: ELECTRICAL SCHEMATICS

EXHAUST FAN HOOK-UP SCHEMATIC & CONVEYOR SIDE LOADER SCHEMATIC



**SECTION 7:
JACKSON MAINTENANCE &
REPAIR CENTERS**

SECTION 7: JACKSON MAINTENANCE & REPAIR CENTERS

ALABAMA TO FLORIDA

ALABAMA

JONES-McLEOD APPLIANCE SVC

1616 7TH AVE. NORTH
BIRMINGHAM, AL 35203
(205) 251-0159
800-821-1150
FAX: (205) 322-1440
service@jones-mcleod.com

JONES-McLEOD APPLIANCE SVC

854 LAKESIDE DRIVE
MOBILE, AL 36693
(251) 666-7278
800-237-9859
FAX: (251) 661-0223

ALASKA

RESTAURANT APPLIANCE SERVICE

7219 ROOSEVELT WAY NE
SEATTLE, WA 98115
(206) 524-8200
800-433-9390
FAX: (206) 525-2890
info@restappl.com

ARIZONA

AUTHORIZED COMMERCIAL FOOD EQMT. SVC

4832 SOUTH 35TH STREET
PHOENIX, AZ 85040
(602) 234-2443
800-824-8875
FAX: (602) 232-5862
acsboss@aol.com

GCS SERVICE INC.

PHOENIX, AZ
(602) 474-4510
800-510-3497
FAX: (602) 470-4511

ARKANSAS

BROMLEY PARTS & SVC

10TH AND RINGO
P.O. BOX 1688
LITTLE ROCK, AR 72202
(501) 374-0281
800-482-9269
FAX: (501) 374-8352
service@bromleyparts.com
parts@bromleyparts.com

GCS SERVICE, INC.

3717 CHERRY ROAD
MEMPHIS, TN 38118
(901) 366-4587
800-262-9155
FAX: (901) 366-4588

CALIFORNIA

BARKERS FOOD MACHINERY SERVICES

5367 SECOND STREET
IRWINDALE, CA 91706
(626) 960-9390
800-258-6999
FAX: (626) 337-4541
service@barkers.com

GCS SERVICE INC.

LOS ANGELES, CA
(213) 683-2090
800-327-1433
FAX: (213) 683-2099

GCS SERVICE INC.

SANTA ANA, CA
(714) 542-1798
800-540-0719
FAX: (714) 542-4787

GCS SERVICE INC.

S. SAN FRANCISCO, CA
(650) 635-0720
800-969-4427
FAX: (650) 871-4019

COMMERCIAL APPLIANCE SERVICE, INC.

6507 PACIFIC AVENUE, SUITE 102
STOCKTON, CA 95207
(916) 567-0203
(800) 464-2222
(916) 567-0266 FAX

GCS SERVICE INC.

SAN DIEGO, CA
(858) 549-8411
800-422-7278
FAX: (858) 549-2323

INDUSTRIAL ELECTRIC SVC.

5662 ENGINEER DRIVE
HUNTINGTON BEACH, CA 92649
(714) 379-7100
(800-457-3783
FAX: (714) 379-7109

P & D APPLIANCE SVC

100 SOUTH LINDEN AVE.
S. SAN FRANCISCO, CA 94080
(650) 635-1900
800-424-1414
FAX: (650) 635-1919
pndappl@aol.com

P & D APPLIANCE

4220-C ROSEVILLE ROAD
NORTH HIGHLANDS, CA 95660
(916) 974-2772
800-824-7219
FAX: (916) 974-2774

COMMERCIAL APPLIANCE SERVICE, INC.

281 LATHROP WAY, #100
SACRAMENTO, CA 95815
(916) 567-0203
(800) 464-2222
(916) 567-0324 FAX

COLORADO

GCS SERVICE INC.

SHERIDAN, CO
(303) 371-9054
800-972-5314
FAX: (303) 371-4754

HAWKINS COMMERCIAL APPLIANCE SERVICE

3000 S. WYANDOT ST.
ENGLEWOOD, CO 80110
(303) 781-5548
(800) 624-2117
FAX: (303) 761-5561
johns@hawkinscommercial.com

METRO APPLIANCE SERVICE

1640 S BROADWAY
DENVER, CO 80210
(303) 778-1126
800-525-3532
FAX: (303) 778-0268
metroappls@aol.com

CONNECTICUT

GCS SERVICE INC.

HARTFORD, CT
(860) 549-5575
800-423-1562
FAX: (860) 527-6355

SUPERIOR KITCHEN SERVICE INC.

22 THOMPSON ROAD
WINDSOR, CT 06088
(888) 590-1899
(888) 590-1996 FAX

DELAWARE

FOOD SERVICE EQMT.

2101 PARKWAY SOUTH
BROOMALL, PA 19008
(610) 356-6900
FAX: (610) 356-2038
dancerule@aol.com

GCS SERVICE INC.

PHILADELPHIA, PA
(215)925-6217
800-441-9115
FAX: (215) 925-6208

ELMER SCHULTZ SERVICE

36 BELMONT AVE.
WILLMINGTON, DE 19804
(302) 655-8900
800-225-0599
FAX: (302) 656-3673
elmer2@erols.com

EMR SERVICE DIVISION

106 WILLIAMSPORT CIRCLE
SALISBURY, MD 21804
(410) 543-8197
FAX: (410) 548-4038

FLORIDA

COMMERCIAL APPLIANCE SERVICE

8416 LAUREL FAIR CIRCLE
BLDG 6, SUITE 114
TAMPA, FL 33610
(813) 663-0313
800-282-4718
FAX: (813) 663-0212
commercialappliance@world-net.att.net

GCS SERVICE INC

MIAMI, FL
(305) 621-6666
800-766-8966
FAX: (305) 621-6656

GCS SERVICE INC

ORLANDO, FL
(407) 841-2551
800-338-7322
FAX: (407) 423-8425

NASS PARTS AND SERVICE, INC.

1144 BELVILLE ROAD, UNIT 359
DAYTONA BEACH, FL 32114
(386) 226-2642
(800) 432-2795
(386) 736-7695 FAX

GCS SERVICE INC

TAMPA, FL
(813) 626-6044
800-282-3008
FAX: (813) 621-1174

SECTION 7: JACKSON MAINTENANCE & REPAIR CENTERS

FLORIDA TO MARYLAND

JONES-McLEOD APPLIANCE SVC

854 LAKESIDE DRIVE
MOBILE, AL 36693
(251) 666-7278
800-237-9859
FAX: (251) 661-0223
service@jones-mcleod.com

NASS PARTS AND SERVICE, INC.

1108 SOUTH WOODS AVENUE
ORLANDO, FL 32805
(407) 425-2681
(800) 432-2795
(407) 425-3463 FAX

NASS PARTS AND SERVICE, INC.

1376 HEIDE AVENUE
PALM BAY, FL 32907
(321) 952-2012
(800) 432-2795
(321) 953-0266 FAX

GEORGIA

GCS SERVICE INC

ATLANTA, GA
(770) 452-7322
800-334-3599
FAX: (770) 452-7473

HERITAGE FOODSERVICE

GROUP OF ATLANTA
2100 NORCROSS PKWY.
SUITE 130
NORCROSS, GA 30071
(770) 368-1465
866-388-9837
FAX: (866) 388-9838

WHALEY FOODSERVICE REPAIRS

109-A OWENS INDUSTRIAL DRIVE
SAVANNAH, GA 31405
(912) 447-0827
888-765-0036
FAX: (912) 447-0826

PIERCE PARTS & SERVICE

2422 ALLEN ROAD
MACON, GA 31216
(478) 781-6003
800-368-2512
FAX: (478) 781-7186

HAWAII

FOOD EQMT. PARTS & SERVICE CO.

300 PUUHALE RD.
HONOLULU, HI 96819
(808) 847-4871
FAX: (808) 842-1560
fepsco@hula.net

IDAHO

RESTAURANT APPLIANCE SVC.

7219 ROOSEVELT WAY NE
SEATTLE, WA 98115
(206) 524-8200
800-433-9390
FAX: (206) 525-2890
info@restappl.com

RON'S SERVICE

703 E 44TH STREET STE 10
GARDEN CITY, ID 83714
(208) 375-4073
FAX: (208) 375-4402

ILLINOIS

CONES REPAIR SVC.

2408 40TH AVE.
MOLINE, IL 61265
(309) 797-5323
800-716-7070
FAX: (309) 797-3631
jackb@cones.com

EICHENAUER SERVICES INC.

130 S OAKLAND ST.
DECATUR, IL 62522
(217) 429-4229
800-252-5892
FAX: (217) 429-0226
esi@esiquality.com

GCS SERVICE INC.

ELMHURST, IL
(630) 941-7800
800-942-9689
FAX: (630) 941-6048

GCS SERVICE INC.

ST. LOUIS, MO
(314) 683-7444
800-284-4427
FAX: (314) 638-0135

GENERAL PARTS, INC.

248 JAMES STREET
BENSONVILLE, IL 60106
(630) 595-3300
(800) 880-3604
FAX: (630) 595-0006

INDIANA

GCS SERVICE INC.

INDIANAPOLIS, IN
(317) 545-9655
800-727-8710
FAX: (317) 549-6286

B622 LA PAS TRAIL

INDIANAPOLIS, IN 46268
(317) 290-8060
(800) 410-9794
(317) 290-8085 FAX

IOWA

GOODWIN TUCKER GROUP

2900 DELAWARE AVENUE

DES MOINES, IA 50317
(515) 262-9308
800-372-6066
FAX: (515) 262-2936
parts@goodwintucker.com

CONES REPAIR SVC.

1056 27TH AVENUE SW
CEDAR RAPIDS, IA 52404
(319) 365-3325
800-747-3326
FAX: (319) 365-0885

KANSAS

GCS SERVICE INC.

KANSAS CITY, MO
(816) 920-5999
800-229-6477
FAX: (816) 920-7387

GENERAL PARTS, INC.

1101 E. 13TH STREET
KANSAS CITY, MO 64106
(816) 421-5400
(800) 279-9967
(816) 421-1270 FAX

KENTUCKY

CERTIFIED SERVICE CENTER

127 DISHMAN LANE
BOWLING GREEN, KY 42101
(270) 783-0012
(877) 907-0012
FAX: (270) 783-0058

CERTIFIED SERVICE CENTER

RAMCO BUSINESS PARK

4283 PRODUCE ROAD
LOUISVILLE, KY 40218
(502) 964-7007
800-637-6350
FAX: (502) 964-7202
cwalker@certifiedsc.com
droenigk@certifiedsc.com

CERTIFIED SERVICE CENTER

1051 GOODWIN DRIVE
LEXINGTON, KY 40505
(606) 254-8854
800-432-9269
FAX: (606) 231-7781
jatkens@certifiedsc.com

GCS SERVICE INC.

LOUISVILLE, KY
(502) 367-1788
800-752-6160
FAX: (502) 367-0400

GCS SERVICE INC.

LEXINGTON, KY
(606) 255-0746
800-432-9260
FAX: (606) 255-0748

LOUISIANA

HERITAGE SERVICE GROUP

1532 RIVER OAKS WEST
NEW ORLEANS, LA 70123
(504) 734-8864
(800) 499-2351
(504) 733-2559 FAX

MAINE

GCS SERVICE INC.

CHELSEA, MA
(617) 889-9393
800-225-1155
FAX: (617) 889-1222

MASSACHUSETTS RESTAURANT SUPPLY

34 SOUTH STREET
SOMERVILLE, MA 02143
(617) 868-1930
800-338-6737
FAX: (617) 686-5331

PINE TREE FOOD EQUIPMENT

175 LEWISTON ROAD
GRAY, ME 04039
(207) 657-6400
(800) 540-5427
(207) 657-5464 FAX

MARYLAND

EMR SERVICE DIVISION

700 EAST 25TH STREET
BALTIMORE, MD 21218
(410) 467-8080
800-879-4994
FAX: (410) 467-4191
baltparts@emrco.com

SECTION 7: JACKSON MAINTENANCE & REPAIR CENTERS

MARYLAND TO NEW YORK

EMR SERVICE DIVISION
106 WILLIAMSPORT CIRCLE
SALISBURY, MD 21804
(410) 543-8197
888-687-8080
FAX: (410) 548-4038
baltparts@emrco.com

EMR SERVICE DIVISION

5316 Sunnyside Ave.
Beltsville, MD 20715
(301) 931-7000
800-348-2365
FAX: (301) 931-3060
baltparts@emrco.com

GCS SERVICE INC.

SILVER SPRING, MD
(301) 585-7550 (DC)
(410) 792-0338 (BALT)
(800) 638-7278
FAX: (301) 495-4410

MASSACHUSETTS

ACE SERVICE CO.

95 HAMPTON AVE.
NEEDHAM, MA 02494
(781) 449-4220
800-225-4510 MA & NH
FAX: (781) 444-4789
taceservice@aol.com

**MASSACHUSETTS RESTAU-
RANT SUPPLY**

34 SOUTH STREET
SOMERVILLE, MA 02143
(617) 868-1930
800-338-6737
FAX: (617) 868-5331

GCS SERVICE INC.

CHELSEA, MA
(617) 889-9393
800-225-1155
FAX: (617) 889-1222

GCS SERVICE INC.

HARTFORD, CT
(860) 549-5575
800-723-1562
FAX: (860) 527-6355

**SUPERIOR KITCHEN SER-
VICE INC.**

399 FERRY STREET
EVERETT, MA 02149
(617) 389-1899
(888) 590-1899
(617) 389-1996 FAX

MICHIGAN

GCS SERVICE INC.

LIVONIA, MI
(248) 426-9500
800-772-2936
FAX: (248) 426-7555

**JACKSON SERVICE COMPA-
NY**

3980 BENSTEIN RD.
COMMERCE TWSHP, MI 48382
(248) 363-4159
800-332-4053
FAX: (248) 363-5448

GCS SERVICE INC.

GRAND RAPIDS, MI
(616) 241-0200
800-823-4866
FAX: (616) 241-0541

MINNESOTA

GCS SERVICE INC.

MINNEAPOLIS, MN
(612) 546-4221
800-345-4221
FAX: (612) 546-4286

GENERAL PARTS, INC.

11311 HAMPSHIRE AVENUE
SOUTH
BLOOMINGTON, MN 55438-
2456
(952) 944-5800
(800) 279-9980
(800) 279-9980 FAX

MISSISSIPPI

GCS SERVICE INC.

JACKSON, MS
(601) 956-7800
800-274-5954
FAX: (601) 956-1200

GCS SERVICE INC.

MEMPHIS, TN
(901) 366-4587
800-262-9155
FAX: (901) 366-4588

MISSOURI

GCS SERVICE INC.

KANSAS CITY, MO
(816) 920-5999
800-229-6477
FAX: (816) 920-7387

GCS SERVICE INC.

ST. LOUIS, MO
(314) 638-7444
800-284-4427
FAX: (314) 638-0135

KAEMMERLIN PARTS & SVC.

2728 LOCUST STREET
ST. LOUIS, MO 63103
(314) 535-2222
FAX: (314) 535-6205
petek@kps.stl.com

GENERAL PARTS, INC.

1101 EAST 13TH STREET
KANSAS CITY, MO 64106
(816) 421-5400
(800) 279-9967
(816) 421-1270 FAX

MONTANA

**RESTAURANT APPLIANCE
SVC.**

7219 ROOSEVELT WAY NE
SEATTLE, WA 98115
(206) 524-8200
800-433-9390
FAX: (206) 525-2890
info@restappl.com

NEBRASKA

GOODWIN - TUCKER GROUP

7535 D STREET
OMAHA, NE 68124
(402) 397-2880
800-228-0342
FAX: (402) 397-2881
askme@goodwintucker.com

NEVADA

**HI TECH COMMERCIAL SER-
VICE**

1840 STELLA LAKE STREET
NORTH LAS VEGAS, NV 89106
(702) 649-4616
(877) 924-4832
FAX: (702) 649-4607
larry@hitechnv.com

5454 LOUIE LANE
RENO, NV 89511
(775) 852-9696
FAX: (775) 852-5104

GCS SERVICE INC.

LAS VEGAS, NV
(702) 450-3495
800-500-9060
FAX: (702) 450-3491

NEW HAMPSHIRE

GCS SERVICE INC.

CHELSEA, MA
(617)889-9393
800-225-1155
FAX: (617) 889-1222

ACE SERVICE CO.

95 HAMPTON AVE.
NEEDHAM, MA 02494
(781) 449-4220
800-225-4510 MA & NH
FAX: (781) 444-4789
taceservice@aol.com

**MASSACHUSETTS RESTAU-
RANT SUPPLY**

34 SOUTH STREET
SOMERVILLE, MA 02143
(617) 868-1930
800-338-6737
FAX: (617) 868-5331

NEW JERSEY

JAY HILL REPAIRS

90 CLINTON RD.
FAIRFIELD, NJ 07004
(973) 575-9145
800-836-0643
FAX: (973) 575-5890
jhrepair@aol.com

GCS SERVICE INC.

EAST RUTHERFORD, NJ
(973) 614-0003
800-399-8294
FAX: (973) 614-0230

GCS SERVICE INC.

PHILADELPHIA, PA
(215) 925-6217
800-441-9115
FAX: (215) 925-6208

ELMER SCHULTZ SERVICES

201 W. WASHINGTON AVE.
PLEASANTVILLE, NJ 08232
(609) 641-0317
800-378-1641
FAX: (609) 641-8703
elmer2@erols.com

NEW YORK

**APPLIANCE INSTALLATION
AND SERVICE CORP.**

1336 MAIN STREET
BUFFALO, NY 14209
(716) 884-7425
800-722-1252
FAX: (716) 884-0410
ais@worldnet.att.net

SECTION 7: JACKSON MAINTENANCE & REPAIR CENTERS

NEW YORK TO PENNSYLVANIA

B.E.S.T. INC.

3003 GENESEE STREET
BUFFALO, NY 14225
(716) 893-6464
800-338-5011
FAX: (716) 893-6466
bestserv@aol.com

DUFFY'S EQUIPMENT SVC.

3138 ONEIDA STREET
SAUQUOIT, NY 13456
(315) 737-9401
800-443-8339
FAX: (315) 737-7132
duffyequip@aol.com

NORTHERN PARTS & SVC.

21 NORTHERN AVENUE
PLATTSBURGH, NY 12903
(518) 563-3200
800-634-5005
FAX: (800) 782-5424
info@northernparts.com

GCS SERVICE INC.

BROOKLYN, NY
(718) 486-5220
800-969-4271
FAX: (718) 486-6772

ALL SERVICE KITCHEN

EQUIPMENT REPAIR
10 CHARLES ST.
NEW HYDE PARK, NY 11040
(516) 378-1176
FAX: (516) 378-1735

ALL ISLAND REPAIRS

40-9 BURT DRIVE
DEER PARK, NY 11729
(631) 242-5588
FAX: (631) 242-6102

NORTH CAROLINA

AUTHORIZED APPLIANCE SERVICECENTER

1020 TUCKASEEGEE RD.
CHARLOTTE, NC 28208
(704) 377-4501
(800) 532-6127
FAX:(704) 377-4504

AUTHORIZED APPLIANCE SERVICECENTER

800 N. PERSON ST.
RALEIGH, NC 27604
(919) 834-3476
FAX:(919) 834-3477

AUTHORIZED APPLIANCE SERVICECENTER

904 S. MARSHALL ST.
WINSTON-SALEM, NC 27403
(336) 725-5396
FAX:(336) 721-1289

AUTHORIZED APPLIANCE SERVICECENTER

104 HINTON AVE.
WILMINGTON, NC 28403
(910) 313-1250
FAX:(910) 313-6130

WHALEY FOODSERVICE

8334-K ARROWRIDGE BLVD
CHARLOTTE, NC 28273
(704) 529-6242
FAX: (704) 529-1558
info@whaleyfoodservice.com

WHALEY FOODSERVICE REPAIRS

203-D CREEK RIDGE RD.
GREENSBORO, NC 27406
(336) 333-2333
FAX: (336) 333-2533
info@whaleyfoodservice.com

WHALEY FOODSERVICE REPAIRS

335-105 SHERWEE DRIVE
RALEIGH, NC 27603
(919) 779-2266
FAX: (919) 779-2224
info@whaleyfoodservice.com

WHALEY FOODSERVICE REPAIRS

6418-101 AMSTERDAM WAY
WILMINGTON, NC 28405
(910) 791-0000
FAX: (910) 791-6662
info@whaleyfoodservice.com

NORTH DAKOTA

GCS SERVICE INC.

MINNEAPOLIS, MN
(612) 546-4221
800-345-4221
FAX: (612) 546-4286

GENERAL PARTS, INC.

10 SOUTH 18TH STREET
FARGO, ND 58103
(701) 235-4161
(800) 279-9987
(701) 235-0539 FAX

OHIO

CERTIFIED SERVICE CENTER

890 REDNA TERRACE
CINCINNATI, OH 45215
(513) 772-6600
800-543-2060
FAX: (513) 612-6600
sbarasch@certifiedsc.com

CERTIFIED SERVICE CENTER

171J-K NORTH HAMILTON RD.
COLUMBUS, OH 43213
(614) 751-3769
(866) 862-1252
FAX: (614) 751-5792
jadkins@certifiedsc.com

CERTIFIED SERVICE CENTER

6025 N. DIXIE DRIVE
DAYTON, OH 45414
(937) 898-4040
(800) 257-2611
FAX: (937) 898-4177
dharvey@certifiedsc.com

COMMERCIAL PARTS & SVC. OF COLUMBUS

5033 TRANSAMERICA DRIVE
COLUMBUS, OH 43228
(614) 221-0057
800-837-8327
FAX: (614) 221-3622

GCS SERVICE INC.

COLUMBUS, OH
(614) 476-3225
800-282-5406
FAX: (614) 476-1196

ELECTRICAL APPLIANCE REPAIR SVC.

5805 VALLEY BELT ROAD
CLEVELAND, OH 44131
(216) 459-8700
800-621-8259
FAX: (216) 459-8707
tomr@electapprep.com

OKLAHOMA

HAGAR RESTAURANT EQMT.

1229 W MAIN STREET
OKLAHOMA CITY, OK 73106
(405) 235-2184
800-445-1791
FAX: (405) 236-5592

OREGON

RON'S SERVICE

16364 SW 72ND AVE
PORTLAND, OR 97224
(503) 624-0890
800-851-4118
FAX: (503) 684-6107
robinson@ronsservice.com

PENNSYLVANIA

A.I.S. COMMERCIAL PARTS & SERVICE

1816 WEST 26TH STREET
ERIE, PA 16508
(814) 456-3732
800-332-3732
FAX: (814) 452-4843
aiserie@aol.com

ELMER SCHULTZ SVC.

540 NORTH 3RD STREET
PHILADELPHIA, PA 19123
(215) 627-5400
FAX: (215) 627-5408
elmer2@erols.com

GCS SERVICE INC.

PHILADELPHIA, PA
(215) 925-6217
800-441-9115
FAX: (215) 925-6208

GCS SERVICE INC.

HARRISBURG, PA
(717) 564-3282
800-367-3225
FAX: (717) 564-9286

GCS SERVICE INC.

PITTSBURGH, PA
(412) 787-1970
800-738-1221
FAX: (412) 787-5005

K & D PARTS AND SERVICE CO.

1833-41 N CAMERON STREET
HARRISBURG, PA 17103
(717) 236-9039
800-932-0503
FAX: (717) 238-4367
kdparts-service@paonline.com

CLARK SERVICE & PARTS

306 AIRPORT DRIVE
BOX 10
SMOKETOWN, PA 17576
(717) 392-5590
(717) 392-5735

SECTION 7: JACKSON MAINTENANCE & REPAIR CENTERS

RHODE ISLAND TO WISCONSIN

RHODE ISLAND

GCS SERVICE INC.
EAST PROVIDENCE, RI
(401) 434-6803
800-462-6012
FAX: (401) 438-9400

SUPERIOR KITCHEN SERVICE INC.

669 ELMWOOD AVENUE
PROVIDENCE, RI 02907
(888) 590-1899
(401) 781-1996 FAX

SOUTH CAROLINA

AUTHORIZED APPLIANCE SERVICECENTER

1811 TAYLOR ST.
COLUMBIA, SC 29202
(803) 254-8414
FAX: (803) 254-5146

AUTHORIZED APPLIANCE SERVICECENTER

2249 AUGUSTA RD.
GREENVILLE, SC 29605
(864) 235-9616
FAX: (864) 235-9623

WHALEY FOODSERVICE REPAIRS

I 26&US1
P.O. BOX 4023
WEST COLUMBIA, SC 29170
(803) 791-4420
800-877-2662
FAX: (803) 794-4630
info@whaleyfoodservice.com

WHALEY FOODSERVICE REPAIRS

748 CONGAREE ROAD
GREENVILLE, SC 29607
(864) 234-7011
800-494-2539
FAX: (864) 234-6662
info@whaleyfoodservice.com

WHALEY FOODSERVICE REPAIRS

1406-C COMMERCE PL.
MYRTLE BEACH, SC 29577
(843) 626-1866
FAX: (843) 626-2632
info@whaleyfoodservice.com

WHALEY FOODSERVICE REPAIRS

4740-A FRANCHISE STREET
N. CHARLESTON, SC 29418
(843) 760-2110
FAX: (843) 760-2255
info@whaleyfoodservice.com

SOUTH DAKOTA

GCS SERVICE INC.

MINNEAPOLIS, MN
(612) 546-4221
800-345-4221
FAX: (612) 546-4286

GENERAL PARTS, INC.

10 SOUTH 18TH STREET
FARGO, ND 58103
(701) 235-4161
(800) 279-9987
(701) 235-0539 FAX

TENNESSEE

GCS SERVICE INC.

MEMPHIS, TN
(901) 366-4587
800-262-9155
FAX: (901) 366-4588

GCS SERVICE INC.

NASHVILLE, TN
(615) 244-8050
800-831-7174
FAX: (615) 244-8885

TEXAS

ARMSTRONG REPAIR CENTER

5110 GLENMOUNT DRIVE
HOUSTON, TX 77081
(713) 666-7100
800-392-5325
FAX: (713) 661-0520
gm@armstrongrepair.com

COMMERCIAL KITCHEN REPAIR CO.

1377 N BRAZOS
P.O. BOX 831128
SAN ANTONIO, TX 78207
(210) 735-2811
800-292-2120
FAX: (210) 735-7421
brock@commercialkitchen.com

GCS SERVICE INC.

DALLAS, TX
(972) 484-2954
800-442-5026
FAX: (972) 484-2531

GCS SERVICE INC.

HOUSTON, TX
(713)785-9187
800-868-6957
FAX: (713) 785-3979

GCS/STOVE PARTS

2120 SOLANA STREET
FORT WORTH, TX 76117
(817) 831-0381
800-433-1804
FAX: (817) 834-7754
bud@stoveparts.com

UTAH

LA MONICA'S RESTAURANT EQMT. SVC.

6182 SOUTH STRATLER AVENUE
MURRAY, UT 84107
(801) 263-3221
800-527-2561
FAX: (801) 263-3229
lamonica81@aol.com

VERMONT

NORTHERN PARTS & SVC.

4874 S. CATHERINE STREET
PLATTSBURGH, NY 12901
(518) 563-3200
800-634-5005
FAX: (800) 782-5424
info@northernparts.com

GCS SERVICE INC.

CHELSEA, MA
(617)889-9393
800-225-1155
FAX: (617) 889-1222

VIRGINIA

DAUBERS, INC.

7645 DYNATECH COURT
SPINGFIELD, VA 22153
(703) 866-3600
800-554-7788
FAX: (703) 866-4071
daubers@aol.com

GCS SERVICE INC.

SILVER SPRING, MD
(301) 585-7550(DC)
(410) 792-0388(BALT)
800-638-7278
FAX: (301)495-4410

GCS SERVICE INC.

RICHMOND, VA
(804) 672-1700
800-899-5949
FAX: (804) 672-2888

GCS SERVICE INC.

VIRGINIA BEACH, VA
(757) 464-3500
800-476-4278
FAX: (757) 464-4106

WASHINGTON

GCS SERVICE INC.

SEATTLE, WA
(206) 763-0353
800-211-4274
FAX: (206) 763-5943

RESTAURANT APPLIANCE SERVICE

7219 ROOSEVELT WAY, NE
SEATTLE, WA 98115
(206) 524-8200
800-433-9390
FAX: (206) 525-2890
info@restappl.com

WEST VIRGINIA

STATEWIDE SERVICE, INC.

603 MAIN AVE.
NITRO, WV 25143
(304) 755-1811
(800) 441-9739
FAX: (304) 755-4001
sws3182@aol.com

WISCONSIN

APPLIANCE SERVICE CENTER, INC.

2439 ATWOOD AVE
MADISON, WI 53704
(608) 246-3160
800-236-7440
FAX: (608) 246-2721
ascmad@execpc.com

APPLIANCE SERVICE CENTER, INC.

6843 W. BELOIT RD.
WEST ALLIS, WI 53219
(414) 543-6460
800-236-6460
FAX: (414) 543-6480
ascmil@execpc.com

APPLIANCE SERVICE CENTER

786 MORRIS AVE
GREEN BAY, WI 54304
(920) 496-9993
800-236-0871
FAX: (920) 496-9927
ascfox@execpc.com

SECTION 7: JACKSON MAINTENANCE & REPAIR CENTERS

WISCONSIN TO WYOMING/INTERNATIONAL

GENERAL PARTS, INC.

W223 N735 SARATOGA DRIVE
WAUKESHA, WI 53186
(262) 650-6666
(800) 279-9946
(262) 650-6660 FAX

WYOMING

HAWKINS COMMERCIAL APPLIANCE SERVICE

3000 S. WYANDOT ST.
ENGLEWOOD, CO 80110
(303) 781-5548
(800) 624-2117
FAX: (303) 761-5561
johns@hawkinscommercial.com

METRO APPLIANCE SERVICE

1640 S BROADWAY
DENVER, CO 80210
(303) 778-1126
800-525-3532
FAX: (303) 778-0268
metroappls@aol.com

INTERNATIONAL

GLOBAL PARTS AND SUPPLY

7758 NW 72ND ST
MIAMI, FL 33166
(305) 885-6353

H.D. SHELDON AND CO

19 UNION SQUARE, WEST
NEW YORK, NY 10003
(212) 627-1759
(212) 924-6920

CANADA

THE GARLAND GROUP

1177 KAMATO ROAD
MISSISSAUGA, ONTARIO L4W
1X4
(905) 206-8380
SALES
(905) 624-1419
FAX: (905) 624-1851
SERVICE
800-427-6668
FAX: 800-361-7745

March 13, 2007

