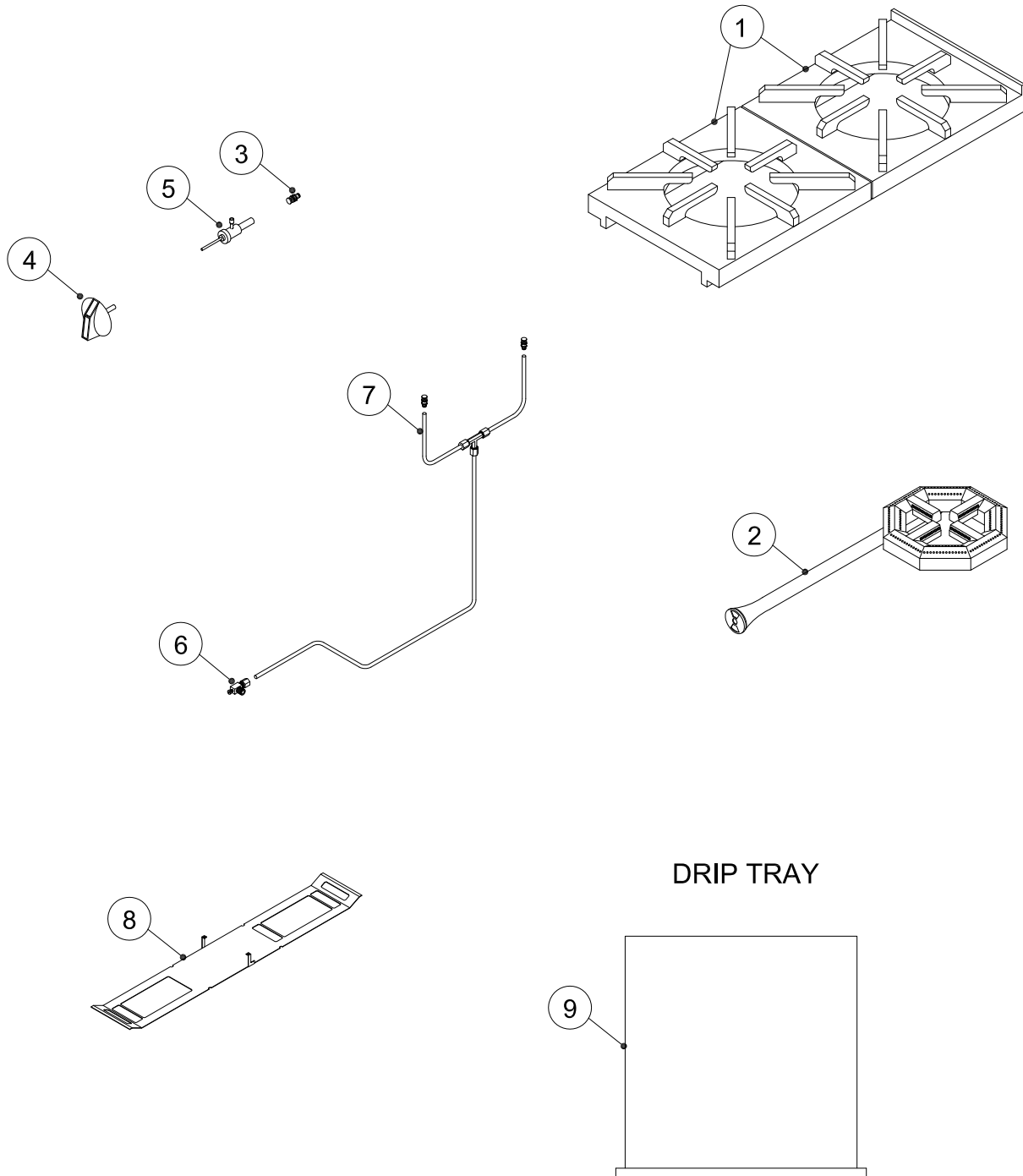


BISTRO SERIES - JBR

Bistro Range Open Burner Section



DRIP TRAY

BISTRO JBR STANDARD OVEN

ITEM	DESCRIPTION	PART #	LIST
1	GRATE, 12" X 24" OPEN TOP	1025200000	
2	BURNER, FRONT ASSY. BURNER, REAR ASSY. BURNER HEAD VENTURI BASE, FRONT VENTURI BASE, REAR AIR SHUTTER SCREW, AIR SHUTTER	3000010836 3000010835 2100000250 2100000251 2100000252 3012600000 3454000000	
3	ORIFICE, #42 NATURAL GAS ORIFICE, #52 L.P. GAS	4626200000 4621400000	
4	KNOB, CHROME W/ SET SCREW	3023100200	
5	VALVE, BURNER	4418500200	
6	VALVE, SINGLE PILOT	4412800000	
7	PILOT TUBING ASSY, JBR & JHP PILOT TIP W/HEX NUT TEE, 1/4 X 1/4 X 1/4	3000010009 4611200000 1823100000	
8	BURNER HANGER ASSY. SCREW, #10 X 1/2	2500000027 3412300000	
9	DRIP PAN ASSY. 4 OPEN BURNERS DRIP PAN ASSY. 6 OPEN BURNERS DRIP PAN ASSY. 8 OPEN BURNERS	1152030090 117210090 114690090	

10.06.2015