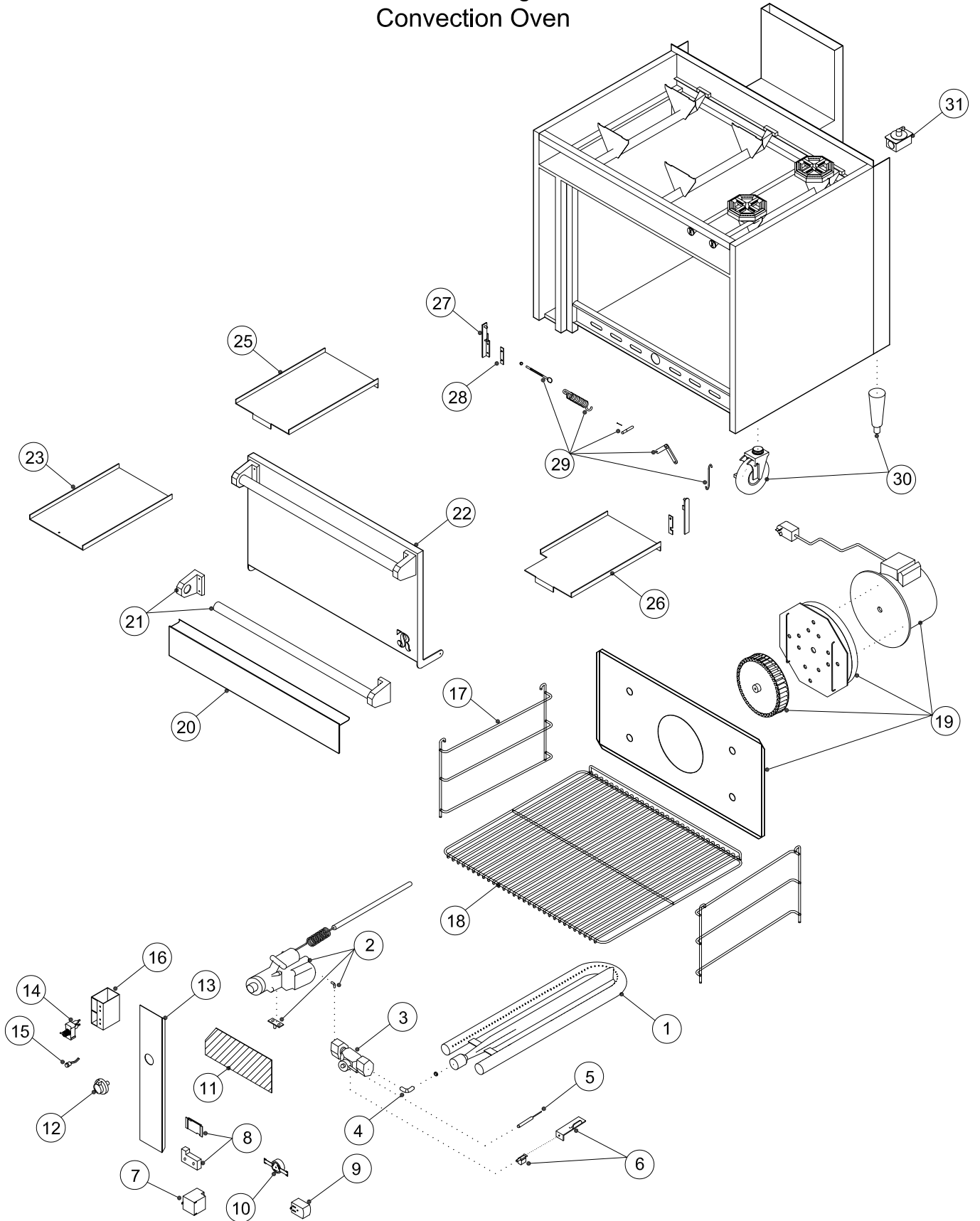


# BISTRO SERIES - JBR

## Bistro Range Convection Oven



**BISTRO JBR CONVECTION OVEN**

ITEM	DESCRIPTION	PART #	LIST
1	OVEN/GRIDDLE/HOT TOP BURNER ASSY	2500010873	
	ORIFICE ELBOW FOR OVEN BURNER	1815700000	
	COVER PLATE FOR OVEN BURNER	2100013988	
2	THERMOSTAT - BJWA OVEN	4634700000	
	MOUNTING FLANGE	8284530000	
	3/8" X 1" S/S TUBING (SOLD PER FOOT)	5619500000	
	NUT 3/8" COMP.	1833000000	
	SLEEVE, (FERRULE) 3/8" COMP.	1816900000	
3	ELBOW, 90 1/4" CC X 1/4" MNPT	1815700000	
	OVEN SAFETY VALVE ASSY W/ FITTINGS & MTG BRACKET (BASO)	2500010513	
4	BASO SAFETY VALVE ONLY	3000010243	
	ORIFICE, OVEN BURNER, FULL SIZE, #39 NAT	4620800000	
5	ORIFICE, OVEN BURNER, FULL SIZE, #52 L.P.	4621400000	
	THERMOCOUPLE 12" (JBR-24)	4621700000	
6	THERMOCOUPLE 18" (JBR-36)	4612600100	
	THERMOCOUPLE 18" (JBR-36C)	4620100000	
	PILOT FOR STANDARD OVEN	4616600100	
7	PILOT FOR CONVECTION OVEN	4619600000	
	PILOT ORIFICE SPUD NAT #18	4617900000	
	PILOT ORIFICE SPUD L.P. #10	4623700000	
	PILOT BRACKET HOLDER	1123200000	
	1/4" S/S TUBING X 30"	3000011568	
	NUT 1/4" COMP.	1830700000	
	SLEEVE (FERRULE) 1/4" COMP.	1832200000	
	IGNITION MODULE (BLUE)	3000010030	
8	SWITCH, MICRO DOOR	3000011750	
	MICRO SWITCH PLATE	2035000000	
	MICRO SWITCH COVER	2043500000	
9	RECEPTACLE, 110V, 15A, TWIST LOC	2034900000	
10	PLUG, TWIST LK RT/ANG, 120V, 15A	2034700000	
11	START CAPACITOR	3000011490	
12	DIAL STD. (TOP STAT)	3018600000	
	DIAL REVERSE (BOTTOM STAT)	3018500000	
	BEZEL (NOT SHOWN) STD. (TOP STAT)	3013100000	
	BEZEL (NOT SHOWN) REVERSE (BOTTOM STAT)	3011600000	
13	OVEN CONTROL PANEL FOR STD OVEN	2100013995	
	OVEN CONTROL PANEL FOR CONV OVEN	2100013996	
14	SWITCH, TOGGLE (ON-OFF) POWER	3000012003	
	RUBBER BOOT, TOGGLE SWITCH	2035400000	
	ROCKER SWITCH, WHITE (3-POSITION) HI-OFF-LOW	2035600000	
	ROCKER SWITCH, BLACK (DOUBLE CONVECTION) FAN	2035500000	
15	LAMP, INDICATOR RED 120V (CONV.)	3000012005	
16	SWITCH HOLDER (CONV.)	N/A	
17	RACK GUIDE (CONV.)	1410500000	
18	OVEN RACK, JBR-36 (29 3/4" X 22 3/4") CONV.	1410200100	
	OVEN RACK, JBR-24 (18 5/8" X 19 5/8") CONV.	1412100000	
19	MOTOR, 1/3 HP	3098710V	
	BASE, MOTOR MOUNT (W/ HANDLES)	3025500100	
	BLOWER WHEEL, 8"	3018800000	
	FAN BAFFLE W/ WING NUTS, JBR-24	1112100000	
	FAN BAFFLE W/ WING NUTS, JBR-36	1131800000	
20	S/S KICK PLATE, JBR-24	1132320000	
	S/S KICK PLATE, JBR-36	1132310000	
21	BRACKET, HANDLE	3010400100	
	DOOR HANDLE, JBR-24	1141400000	
	DOOR HANDLE, JBR-36	1112000000	
	MOUNTING BRACKET SCREW (NOT SHOWN)	3463400000	
22	OVEN, DOOR ASSY. JBR-24	2500129706	
	OVEN, DOOR ASSY. JBR-36	2500129708	
23	FLAME SPREADER - JBR	1132500000	
25	OVEN BOTTOM BAFFLE - JBR - LEFT	2574802V	
26	OVEN BOTTOM BAFFLE - JBR - RIGHT	2574801V	
27	DOOR HINGE ASSY LH	3043400000	
	DOOR HINGE ASSY RH	3043700000	
	BOLT, 1/4-20 X 1 HXZN	3425600000	
	NUT, 1/4-20 X 1 HXZN	3426200000	
	WASHER, 1/4 PL SPLIT LOCK	3432800000	
28	DOOR SHIM (SET OF FOUR)	8490300000	
29	DOOR SPRING	3014400000	
	ROCKER ARM (10/98 - PRESENT)	1017400000	
	EYE BOLT W/ NUT	3419500000	
	CLEVIS PIN	3414100000	
	COTTER PIN	3429400000	
	"S" HOOK	3012900000	
	SPRING PLIERS	3056200000	NLA
30	CASTER (NON-LOCKING) 6" DIA	3000011272	
	CASTER (LOCKING) 6" DIA	3000011271	
	LEGS, 6"	3012700000	
31	REGULATOR, GAS NAT. 5.0 W.C. 3/4"	4613500000	
	REGULATOR, GAS LP. 10.0 W.C. 3/4"	4613400000	