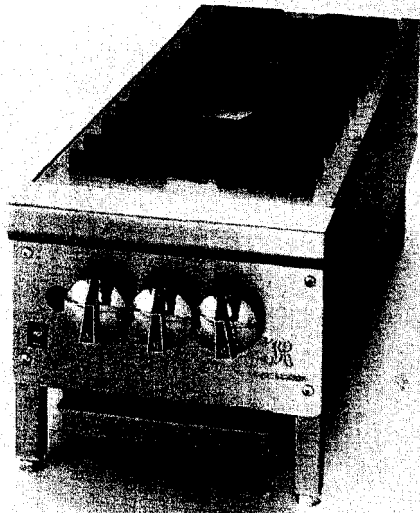


JADE RANGE

ITEM # _____

THREE BURNER HOT PLATE



JHP-312

| Model No. | Description |
|-----------|-------------|
|-----------|-------------|

- | | |
|--------------------------|----------------------------------|
| <input type="checkbox"/> | JHP-312 3 Open burners, 12" wide |
|--------------------------|----------------------------------|

STANDARD FEATURES

- #304 Stainless steel front & plate shelf
- 15,000 BTU/hr. cast iron open burner
- Lift-off cast iron "spider top" grates
- 14 Gauge all welded construction
- Stainless steel gas tubing throughout
- One stainless steel pilot per burner
- 14 Gauge welded drip tray
- Stainless steel legs
- 3/4" Gas regulator (shipped loose, MUST be installed for proper operation)

OPTIONS & ACCESSORIES

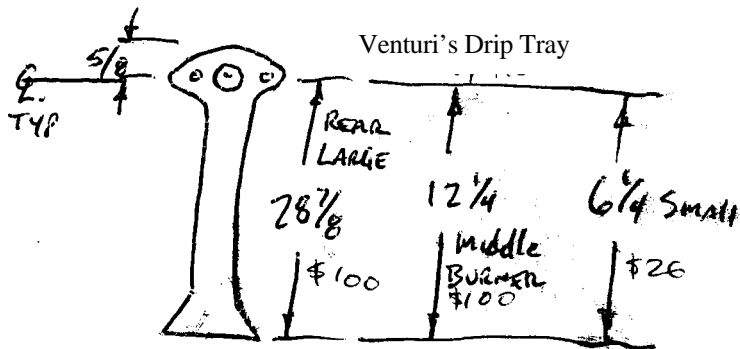
NOTE: When stainless steel specified, Jade Range uses heavy gauge # 304 stainless steel

- Stainless steel side(s). Left Right
- 36" Flex hose with quick disconnect & restraining device
- 48" Flex hose with quick disconnect & restraining device

P/N - None

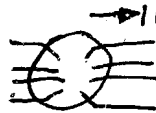
Rear Assy.

Middle Assy. Front Assy.



#978 TOP GRATE
100-119-000

GRATES



1" TO FIT
UNITS W/ JAM

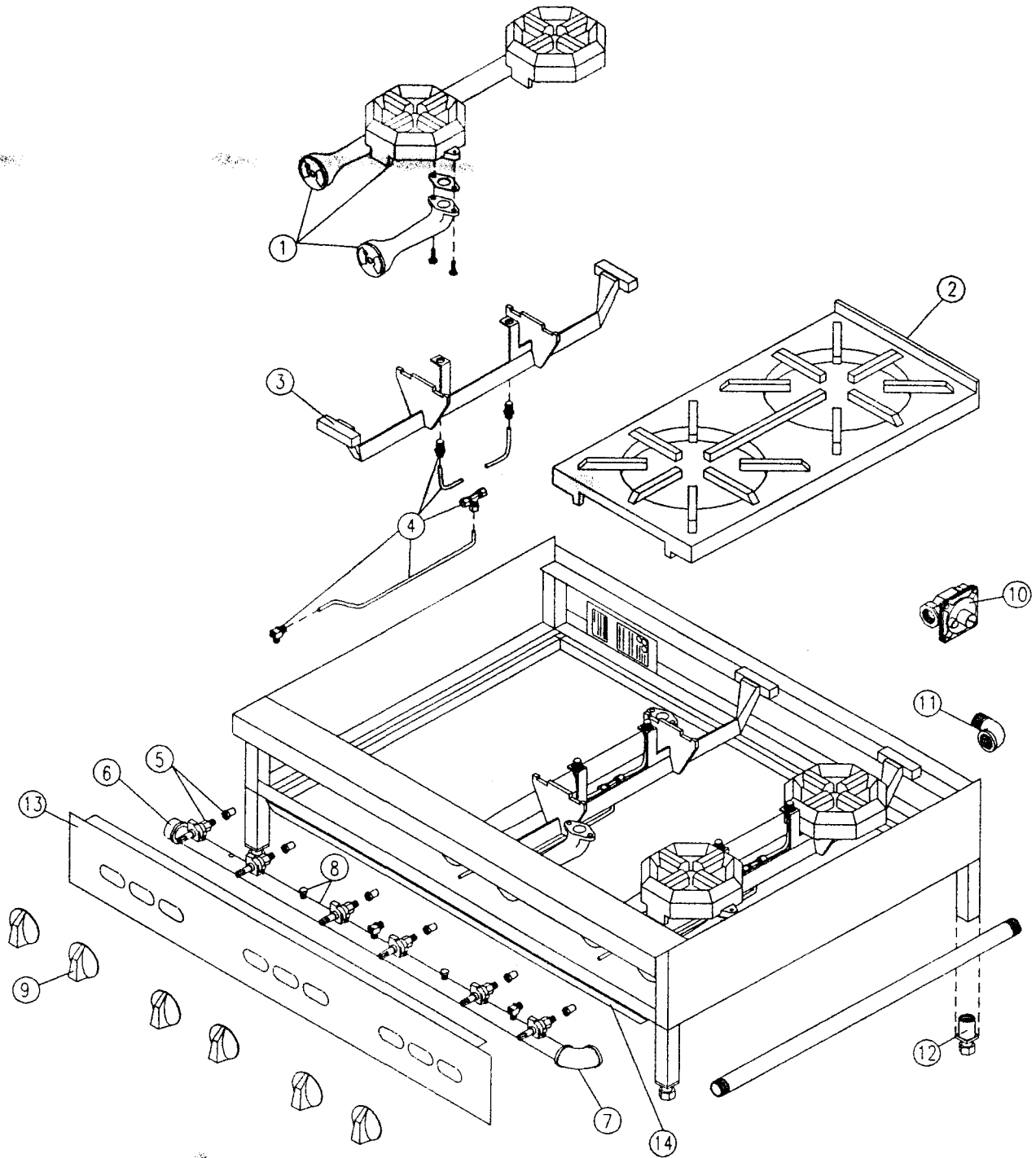
CUT OFF 1"



JADE RANGE
JADE REFRIGERATION
UTILITY REFRIGERATOR
7355 East Slauson Ave. Commerce, CA 90040
PH:(213) 728-5700 FAX:(213) 728-2318



JHP HOT PLATE



JHP - DESCRIPTION**PART NO**

| | | | | |
|----|---|------------|-----|-----|
| 1 | BURNER ASSY. FRONT 920/906 | 119 | 135 | 140 |
| | BURNER ASSY. REAR 920/918 | 119 | 135 | 141 |
| | BURNER, 920 HEX LARGE | 100 | 135 | 000 |
| | BURNER, 915 HEX SMALL | 100 | 136 | 000 |
| | GASKET #920 | 300 | 226 | 000 |
| | BOLT, 1/4-20 X 3/4 HX S/S | 340 | 380 | 000 |
| | VENTURI, 906 ,FRONT | 100 | 140 | 000 |
| | VENTURI, 918 ,REAR | 100 | 141 | 000 |
| | AIR SHUTTER | 300 | 126 | 000 |
| | SCREW, #10 10 X 1/2TRPHZN | 340 | 280 | 000 |
| 2 | GRATE,1212 | 100 | 101 | 000 |
| | GRATE,1224 | 100 | 102 | B00 |
| | GRATE, SPIDER #978 (JHP 312) | 100 | 119 | 000 |
| | GRATE, SPECIAL "S" 6 X 24' | | | |
| 3 | PLATE, 27" X 11 1/2" X 1" PL (JHP 312) | 600 | 217 | 000 |
| | HANGER, BURNER BLK/W/BRCKT | 100 | 129 | 000 |
| 4 | PILOT, TIP S/S W/ HEX NUT | 460 | 112 | 000 |
| | TEE, 1/4"X1/4"X1/4"COMP. | 180 | 231 | 000 |
| | VALVE, PILOT SINGLE | 440 | 128 | 000 |
| | PILOT S/S TIP | 460 | 112 | 000 |
| | PILOT TUBING, 1/4" S/S (SOLD BY THE FOOT) | 560 | 128 | 000 |
| | NUT, 1/4" COMP. | 180 | 307 | 000 |
| 5 | SLEEVE, (FERRULE) 1/4" | 180 | 322 | 000 |
| | VALVE, MANUAL | 440 | 110 | 000 |
| | ORIFICE, #45 NAT. | 460 | 209 | 000 |
| 6 | ORIFICE, #55 L.P. | 460 | 211 | 000 |
| | CAP 3/4" DIA PIPE | 180 | 181 | 000 |
| 7 | ELBOW, 3/4" 90 | 180 | 128 | 000 |
| | MANIFOLD | LIST MODEL | | |
| 8 | PLUG, 1/8" HX HD BLK | 180 | 130 | 000 |
| | KNOB, CHROME | 300 | 231 | 000 |
| 9 | REGULATOR, 3/4" 10.0 L.P. | 460 | 134 | 000 |
| | REGULATOR, 3/4" 5.0 NAT. | 460 | 135 | 000 |
| 10 | ELBOW, 3/4" 90 | 180 | 128 | 000 |
| | LEG, HEAVY DUTY SM PLATED | 300 | 118 | 000 |
| 11 | PANEL, FRONT JHP-112 | 230 | 265 | 136 |
| | PANEL, FRONT JHP-212 | 230 | 265 | 137 |
| | PANEL, FRONT JHP-224 | 230 | 265 | 138 |
| | PANEL, FRONT JHP-336 | 230 | 265 | 139 |
| | PANEL, FRONT JHP-424 | 230 | 265 | 140 |
| | PANEL, FRONT JHP-448 | 230 | 265 | 141 |
| | PANEL, FRONT JHP-636 | 230 | 265 | 142 |
| | PANEL, FRONT JHP-848 | 230 | 265 | 143 |
| | PANEL, FRONT JHP-1060 | 230 | 265 | 144 |
| 12 | DRIP TRAY, JHP-112 | 230 | 325 | 153 |
| | DRIP TRAY, JHP-212 | 230 | 325 | |
| | DRIP TRAY, JHP-224 | 230 | 325 | 154 |
| | DRIP TRAY, JHP-336 | 230 | 325 | 155 |
| | DRIP TRAY, JHP-424 | 230 | 325 | |
| | DRIP TRAY, JHP-448 | 230 | 325 | 195 |
| | DRIP TRAY, JHP-636 | 230 | 325 | |
| | DRIP TRAY, JHP-848 | 230 | 325 | |
| | DRIP TRAY, JHP-1060 | 230 | 325 | 194 |