



**Installation**

**Operation**

**Maintenance**

**Troubleshooting**

**Model: 36S-M**

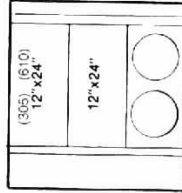
Lang Electric Range Marine



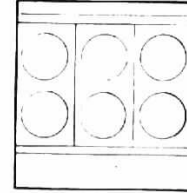
## 36 SERIES GALLEY RANGE TOP COMBINATIONS AND SPECIFICATIONS



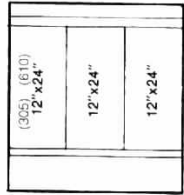
**36S-OM**  
1-24"x24" Griddle Plate\*  
2-Solid Speed Units\*\*



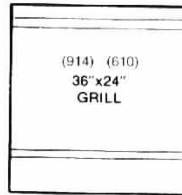
**36S-3AM**  
2-12"x24" Hot Plates\*  
2-Solid Speed Units\*\*



**36S-20M**  
6-Solid Speed Units\*\*

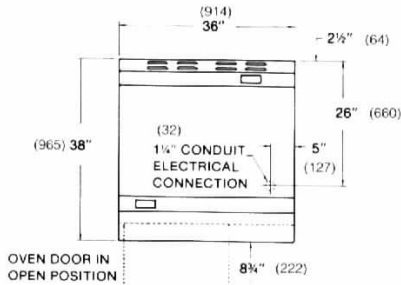


**36S-2M**  
3-12"x24" Hot Plates\*

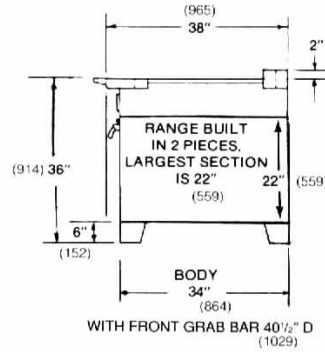


**36S-10M**  
36"x24" Griddle Plate\*

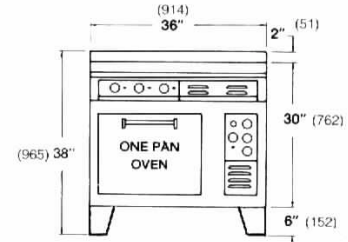
All dimensions are in both inches and millimeters.  
(Approx. millimeters in parentheses)



**TOP VIEW**



**SIDE VIEW (Legs Optional)**



**FRONT VIEW**

RANGE AVAILABLE IN  
2 PIECE CONSTRUCTION  
ALLOWS ENTRANCE  
THROUGH A 26" DOORWAY

**OUTSIDE OVEN DIMENSIONS**  
Width 36" (914)  
Depth 38" (965)  
Height 30" (762)

**INSIDE OVEN DIMENSIONS**  
Width 22" (559)  
Depth 27 1/2" (699)  
Height 12" (305)

ELECTRICAL DATA																		
ALL MODEL 36S SERIES RANGES																		
MODEL NO.	THREE PHASE LOADING			TOTAL K.W. CONN.	NOMINAL AMPS PER LINE												SHIP. WEIGHT	
	K.W. PER PHASE				THREE PHASE									SINGLE PHASE		D.C. AMPS		
	L1-L2	L2-L3	L3-L1		208 VOLTS			240 VOLTS			480 VOLTS			208 V	240 V	115V DC		230V DC
	L1	L2	L3		L1	L2	L3	L1	L2	L3								
36S	6.0	10.0	5.0	21.0	45.8	66.7	62.5	39.7	57.8	54.2	19.9	28.9	27.1	101.0	87.5	182.6	91.3	525 lbs. (238 kg.)

\*Overhead Switch Box 75 lbs. (34 kg)

WHEN ORDERING SPECIFY VOLTAGE AND PHASE

Specifications subject to change without notice.

**LANG MANUFACTURING COMPANY**

6500 Merrill Creek Parkway, Everett, WA 98203 U.S.A.

PRINTED IN U.S.A.

61201-02 2/99

TOLL FREE 800/882-6368

PHONE 425/349-2400

FAX 425/349-2518

## INTRODUCTION

This manual contains the necessary information to install, operate, maintain, and service the Lang model 36S series electric range.

Replacement parts should be genuine Lang parts. Failure to use genuine Lang replacement parts may result in malfunction of the appliance or possible injury to the operator, contractor or service technician.

## PURPOSE AND FUNCTION

Oven for all purpose baking and roasting. Range top options for frying, boiling, simmering, etc. Designed to cook a wide variety of food products including eggs, hamburgers, fish, roasts, chicken, pancakes, soup, broth, coffee, cakes, rolls, etc.

## CAPABILITIES

These ranges are capable of all baking and roasting needs plus a wide variety of range top cooking requirements.

## ITEMS REQUIRED

An adequate supply of wire suitable for the loads and application specified on the data sheet must be provided. The data sheet is on Page 2 of this manual.

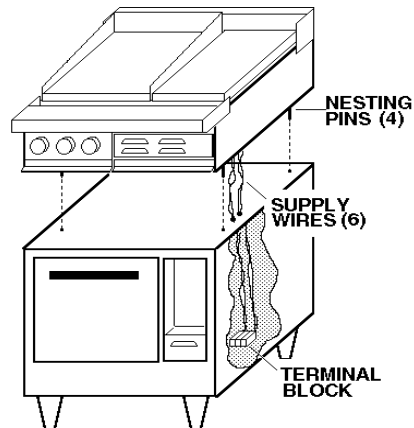
## TOOLS AND TEST EQUIPMENT REQUIRED

For installation:

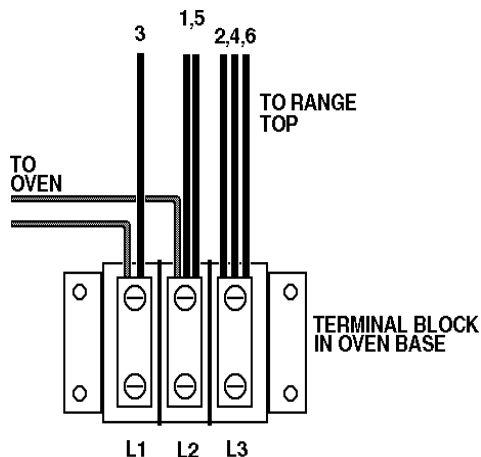
- 1 set – Open End Wrenches
- 1 ea – Flat Blade Screwdriver
- 1 ea – Phillips Screwdriver
- 1 ea – Wire Cutter/Stripper
- 1 ea – AMP Probe
- 1 ea – Voltmeter

For service: All of the above plus -

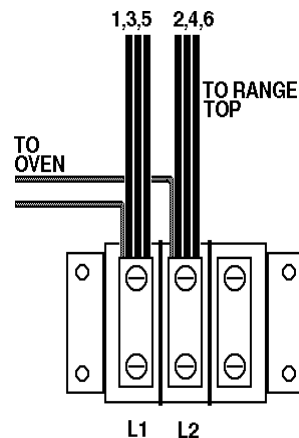
- 1 ea – Needle Nose Pliers
- 1 ea – Crimping Pliers
- 1 ea – Allen Wrench Set
- 1 ea – Temperature Meters
- 1 ea – Very Small Flat Blade Screwdriver



## THREE PHASE



## SINGLE PHASE



## **INSPECTION AND INSTALLATION**

Upon receipt of the range and damage should be noted on the Bill of Lading and countersigned by the carrier. If concealed damage is discovered the carrier should be notified. All claims must be filed with the carrier.

The Lang model series 36S electric oven range was designed in modular construction to allow passage through a 26 inch by 66 inch watertight door or through standard building doors.

Move the crate containing the range as close to the place of installation as possible before removing the protective crating. Uncrate the range and move as close as practical to the final installation site.

Remove the legs from inside the oven. Attach the legs to the bottom corner of the oven screwing into the threaded hole provided. Then set the oven in place.

Place spacers, (ie. 2 x 4 wood block not supplied) at the front and rear of the oven top.

Place the range top on the spacers that are located on top of the oven.

The six wire leads to supply electricity to the cook top are bundled under the front bottom of the top. Route these wires through the bushing provided in the oven top.

Align the four locating pins in the bottom corner of the top with the four holes in each corner of the oven top.

Remove the spacers and lower the top onto the oven.

**WARNING:** Make sure the six wire leads to supply electricity to the cook top are not crimped between the oven and range top.

**WARNING:** Make sure the main power supply to the range is turned OFF at the source prior to connecting power to the range.

The range can now be connected to power.

**CAUTION:** Be sure the power supply voltage matches the voltage specified on the nameplate located on the front of the range.

Use the wiring diagram provided in this manual for determining the connections of the cook top wires to the oven terminal block.

Electrical service connection is made through the bottom of the oven. A hole is provided for the attachment of 1-1/4 inch conduit. See figure #2 on Page #2.

Use the wiring diagram provided in this manual to determine the electrical specification.

**WARNING:** The range must be phased per the wiring diagram.

## SAFETY PRECAUTIONS AND WARNINGS

**WARNING:** Make sure the six wire leads to supply electricity to the cook top are not crimped between the oven and range top.

**WARNING:** Make sure the main power supply to the range is turned OFF at the source prior to connecting power to the range.

Refer to Inspection and Installation.

**CAUTION:** Be sure the power supply voltage matches the voltage specified on the nameplate located on the front of the range.

Refer to Inspection and Installation.

**WARNING:** The range must be phased per the wiring diagram.

Refer to Inspection and Installation.

**CAUTION:** Before the initial use of the range, the oven must be thoroughly allowed to dry itself out. This is done by setting the top and bottom oven switches to the “low” position, and setting the thermostat to 350°F. Allow the range oven to heat until all vapor and condensation has been eliminated. For best operating results allow the range oven to thoroughly dry out. Allow 8 to 12 hours for this process. Clean top plates thoroughly. Apply salad oil. Turn each plate switch or thermostat to a low position and allow plate to heat for three hours.

Refer to Initial Start-up

**WARNING:** Burns could occur when dealing with hot grease!

Refer to Maintenance Instructions, Daily cleaning.

**CAUTION:** When scraping griddle surface, do not scrape splashguard. It may eventually be cut through.

Refer to Maintenance Instructions, Weekly cleaning.

**CAUTION:** Any oven cleaner used should be marked: “Safe on Aluminum”. We recommend “SOKOFF”.

Refer to Maintenance Instructions, Weekly cleaning.

**WARNING:** Disconnect Range from power before attempting any repair.

Refer to Major component disassembly.

**CAUTION:** After installing the new thermostat be positive the silver tube is not near any exposed terminals. If the thermostat tube touches any live terminals it will be destroyed and have to be replaced again.

Refer to Major component disassembly.

**CAUTION:** Make sure element pan is clamped tightly to the bottom of griddle plate or hot top and that thermostat capillary tube is secure in capillary clamp and tight against bottom of griddle plate, if present.

Refer to Major component disassembly, element replacement / Hot top or griddle.

## **OVEN OPERATING INSTRUCTIONS**

### **Range Controls**

Three heat switches or automatic thermostats control the top plate units. The range is provided with an upper heating unit located in the top of the oven and a lower heating unit located under the metal deck, in the bottom of the oven. Each heating unit is independently regulated for proper ratio of “top” and “bottom” heat, to suit the product being baked or roasted, by means of two 3-heat switches located in the panel at the right of the range. The range oven is also provided with an adjustable, automatic temperature control, the dial which is located in the range switch panel. The setting of the control dial establishes the average temperature to be maintained in the range oven.

The black control knob operates a damper in the oven vent stack. Damper is open when knob is pulled outward.

The two fuses on the control panel protect the electrical components from overload.

### **INITIAL START-UP**

**CAUTION:** Before the initial use of the range, the oven must be thoroughly allowed to dry itself out. This is done by setting the top and bottom oven switches to the “low” position, and setting the thermostat to 350°F. Allow the range oven to heat until all vapor and condensation has been eliminated. For best operating results allow the range oven to thoroughly dry out. Allow 8 to 12 hours for this process. Clean top plates thoroughly. Apply salad oil. Turn each plate switch or thermostat to a low position and allow plate to heat for three hours.

**NOTE:** Somewhere along the rising temperature curve between 200° and 300° F a moderate amount of smoke may issue from in and around the Range. The smoke may be repeated somewhere around 350°. Preservative oils and oil accumulated during manufacture may be coming off as smoke in these temperature ranges. Do not be alarmed.

## **Range Top**

12 x 24 Hot Plate or Round Speed Units, controlled by 3-heat switch, 6-heat switch or high temperature thermostats.

Round speed units, controlled by 3-heat switch or 6-heat switch. Recommended: Light duty sauce pans and small stockpots. Not Recommended: Heavy stockpots, or heavy urns, or kettles.

12 x 24, 24 x 24, or 24 x 36 Griddle plates, controlled by thermostats. Temperature range 450° F. Recommended: All heavy and light frying. Set the thermostat dial at the desired temperature. The red pilot light will be illuminated until the desired temperature is reached. The pilot light indicates when the plate is heating.

## **Maintenance Instruction**

### **Daily Cleaning**

**WARNING:** Burns could occur when dealing with hot grease!

Empty grease drawers daily or when they are 1/3 full. They are easily removed for washing.

Clean exterior of the range with hot water and a mild detergent to maintain a gleaming appearance.

Keep the griddle plate surface clean. After each cooking load, scrape the griddle surface to remove any carbonized grease.

**Caution:** When scraping the griddle surface, do not scrape the splashguard. It may eventually be cut through.

### **Weekly Cleaning**

The range should be thoroughly cleaned at least once a week in addition to the normal daily cleaning to insure against the accumulation of foreign material. Keep inside of oven and metal deck clean, particularly around door opening, door edges and at bottom of door opening so that the door may close tightly.

## **NORMAL OPERATION**

The range oven must be thoroughly preheated before satisfactory baking can be done. The range oven will not bake uniformly if not sufficiently preheated. To compensate for temperature drop when loading the range oven, set the thermostat up 50° over the desired temperature. Reset thermostat after the range is loaded. The range oven may, of course, be preheated with the 3-heat switches set at a lower position than “high”, but the time required will be proportionally longer. After preheating, set the two 3-heat switches for proper ratio of “top” and “bottom” heat to suit the product to be baked or roasted. (see Table 1 below).

The “Roasting and Baking” range oven is equipped with a removable rack. For baking pies, bread, or for roasting operations, the rack may be placed directly on the metal deck and the pans placed on the rack. For baking cakes or pastries the rack should be located in the lower position provided by the rack supports at the sides of the range and the pans placed on the rack in this lower position.

The following temperature, time, switch settings and rack positions are suggested as a guide in baking various classes of products.

<b>Class of Product</b>	<b>Average Temperature</b>	<b>Time min.</b>	<b>Switch Setting</b>		<b>Rack Position</b>
			<b>Top</b>	<b>Bottom</b>	
Pies	375-425	35-60	Low	Medium	On deck
Rolls	375-400	15-30	Low	High	Rack Support
Cakes	350-400	20-45	Low	High	Rack Support
Pastries	325-375	8-20	Low	High	Rack Support
Bread	425-450	25-45	Low	Medium	On deck
Roast Beef	300-325		Low	Hi/Med.	On deck

**TABLE 1**

**NOTE:** Always place the pans symmetrically on the rack for best results. Keep the oven door closed as much as possible. Excessive door opening will cool the front section of the oven and products place near the front are likely to bake slower. It is desirable to keep the front edge of the pans at least several inches back from the inside of the door (when closed). Do not permit air from a window or fan to blow into the oven; it will cause uneven heating.



**CAUTION:** Any oven cleaner used should be marked: “Safe on Aluminum”. We recommend “SOKOFF”.

Keep drip pans under range top plates clean.

Keep hot plate and griddle surfaces clean.

Outside of range and top should be kept clean.

### **THERMOSTAT CALIBRATION:**

All thermostats are factory calibrated and are extremely reliable mechanical devices. Calibration of thermostats should only be attempted if continued experience dictates unsatisfactory cooking temperatures.

#### **Calibrating the Griddle**

Locate a surface thermometer in the center of each 12” x 24” section.

Set the thermostat at 350° and allow the temperature to stabilize.

Record three “cycle” temperatures and three “cycle off” temperatures. Average the six readings. They should fall within fifteen degrees of the set temperature.

To adjust the thermostat, remove the knob and insert a small flat blade screwdriver down the center of the shaft to a screw located at the end.

Turning the screw counterclockwise raises the temperature and turning the screw clockwise lowers the temperature. Use caution when adjusting and turn the screw in 1/8 turn intervals to avoid over correction. A 1/8 turn changes the thermostat calibration approximately 5°.

#### **Calibrating the Oven**

Locate an oven thermometer or thermocouple in the center of the oven cavity.

Follow the same procedures for calibrating the grill.

<b>TROUBLE SHOOTING GUIDE</b>		
<b>SYMPTOM</b>	<b>PROBLEM</b>	<b>REMEDY</b>
Not heating	Loose Terminal Connections	Tighten Terminals
	Improper Voltage	Change Voltage to match Range
	Defective Elements	Replace Elements
Thermostat Inoperative	Broken Capillary Tube	Replace Thermostat
	Loose Connections	Tighten Terminals
	Improper Voltage	Change Voltage to match Range
Temperature Fluctuation	Out of Calibration	Recalibrate Thermostat
Pilot Light Out	Defective	Replace
Power Supply Circuit Breakers Trip	Supply Breakers insufficient size	Install proper size breakers
	Supply voltage & range voltage do not match	Change voltage to match range
Internal Circuit Breakers Trip	Supply voltage & range voltage do not match	Change voltage to match range
Too long to heat	Improperly Phased	Phase range to match power supply per wiring diagram

### **PERFORMANCE AND INSPECTION**

A periodic check of thermostat calibration should be performed.

#### **Calibration Check:**

Put a surface type thermometer or thermocouple in the center of each top section.

Set thermostat knobs to 350° F and allow the plate to cycle for 30 minutes.

Then take 10 readings each 3 minutes apart and calculate the average temperature.

After calculating the average temperature check the reading when the pilot light goes “ON” and again when the pilot light goes “OFF” three consecutive times. If the “ON” and “OFF” temperature reading drift in either direction, the plate has not yet reached stabilization temperature.

When stabilized, the “ON” and “OFF” temperature should fall within a plus or minus 25° F of the temperature set on the dial.

**NOTE:** If these requirements are met., the thermostats do not need calibration adjustment.

### **MAJOR COMPONENT DISASSEMBLY, REPAIR, REPLACEMENT AND REASSEMBLE:**

Refer to Figure #3

**WARNING:** Disconnect Range from power before attempting any repair.

### THERMOSTAT REPLACEMENT: Oven

Inside the oven cavity remove the retaining clips holding the thermostat-sensing bulb in place. Feed the bulb through the oven wall into the control panel area. Remove the wires attached to the thermostat terminals. Remember the terminal each wire was on and attach the wires to the same terminal on the new thermostat. Remove the screws holding the old thermostat to the front of the control panel. Discard old thermostat. Mount the new thermostat to the control panel, carefully feed the sensing bulb through the oven wall and reattach the sensing bulb to the oven side using the retaining clips removed earlier. Close control compartment. Restore power to the oven.

### THERMOSTAT REPLACEMENT: Range

Raise the griddle or hot top plate up to allow access to the bottom of the plate. The thermostat is the silver tube clamped to the bottom of the griddle or hot top through the slot in the element holder. Remove bracket holding the sensing bulb to the bottom of the plate. Fish the old tube and bulb through the wireway out of the front of the range. Install the new thermostat by reversing these steps.

**CAUTION:** After installing the new thermostat be positive the silver tube is not near any exposed terminals. If the thermostat tube touches any live terminals it will be destroyed and have to be replaced again.

### ELEMENT REPLACEMENT: Oven

Remove sheet metal screws holding control panel to range.

Remove wires from affected oven element. Mark wires for proper replacement.

Bend tab on clips holding element to oven top or bottom, to allow element to be pulled out of bushing through oven wall.

Reverse procedure for installation.

### ELEMENT REPLACEMENT: Hot top or griddle

Remove grease drawers from under griddle or hot top.

Remove upper control panel, leaving controls attached to panel.

Remove terminal block cover, located behind louvered door to the right of the upper controls.

Remove the wires going to griddle or hot top elements from thermostats, if present. Push wires through wire tubes to gain slack wire under griddle or hot top.

Uncoil thermostat capillary tubes and push through holes in rear of control box to gain slack under grill if present.

Using a 2" x 4", or similar lever, pry front edge of griddle or hot top u. block front edge of griddle at approximately eight inches high.

Remove the two (2) 10 x 1/2" sheet metal screws holding the capillary tube clamp, if present, to the bottom of the affected element pan.

Remove four (4) nuts attaching the wires to the elements. Mark the wires for proper replacement.

Remove five (5) 5/16 hex nut holding the element pan to the griddle plate and lower the element pan until it clears the attaching stud.

Remove the element pan from the range and remove and discard affected element.

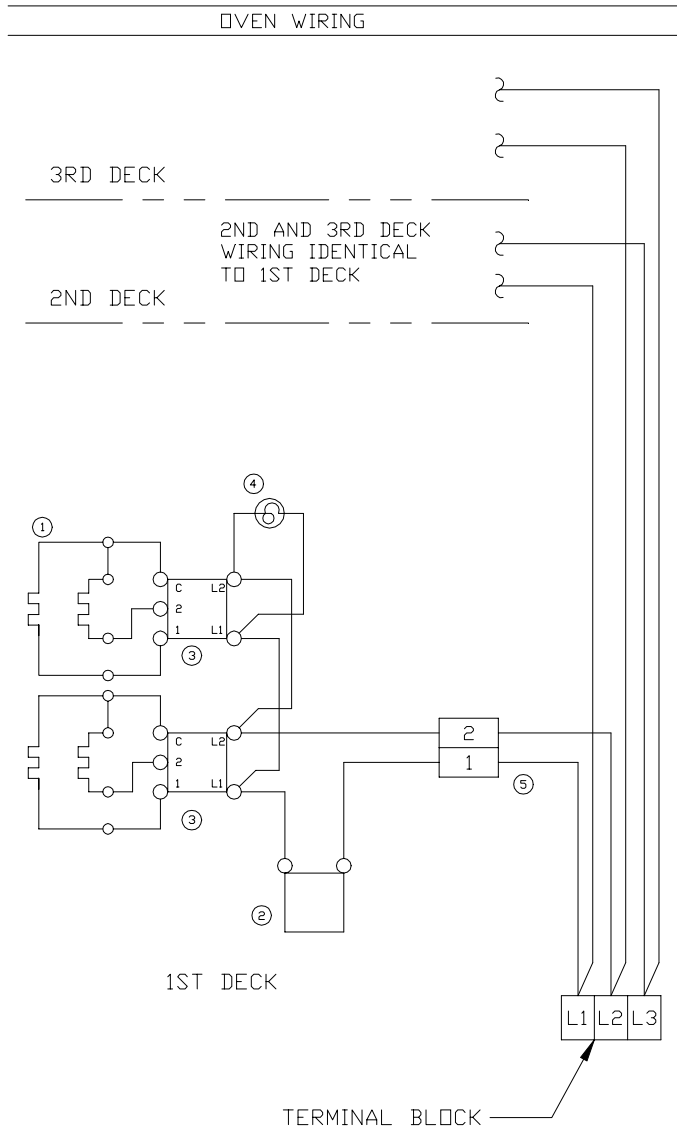
Clean all slag and debris from element pan. Make sure there are no sharp objects remaining at the point where the old element shorted.

Reverse procedure for Installation.

**CAUTION:** Make sure element pan is clamped tightly to the bottom of griddle plate or hot top and that thermostat capillary tube is secure in capillary clamp and tight against bottom of griddle plate, if present.

### **PREPARATION FOR RESHIPMENT**

Refer to Installation Instructions. Follow these instructions in reverse order. When range is disassembled coat the exterior and surfaces with protective oil for preservation during storage. Then crate each major piece in a wooden box suitable for forklift access. Insure that adequate cushioning is provided on all sides to prevent in-transit damage.



MODEL DESIGNATION	TOP ARRANGEMENT			TOP SECTION WIRE DIAGRAMS					
	SEC-1	SEC-2	SEC-3						
36S-0	A	A	C						
36S-2	B	B	B						
36S-3A	B	B	C						
36S-10	A	A	A						
36S-20	C	C	C						
① HEAT ELEMENT ② THERMOSTAT ③ 3 HEAT SWITCH ④ PILOT LAMP ⑤ CIRCUIT BREAKER ⑥ SPEED UNIT ⑦ 6 HEAT SWITCH									
				A	GRILL	B	HOT TOP	C	SPEED UNITS

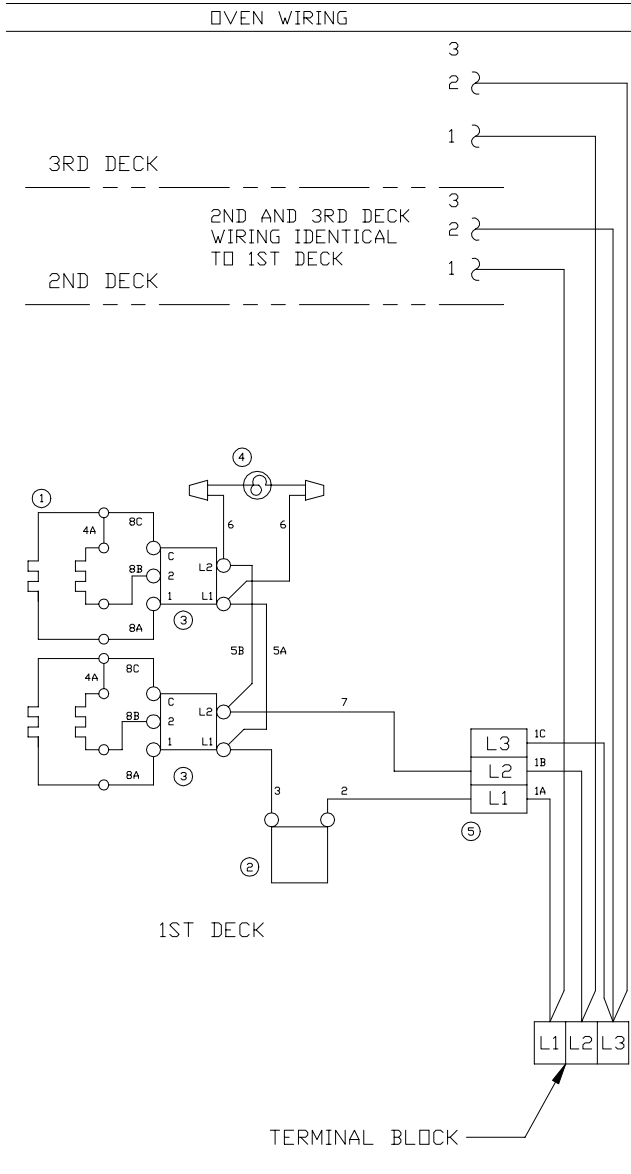
CONNECT WIRES FROM RANGE TOP OR ADDITIONAL DECKS TO LOWER OVEN TERMINAL BLOCK AS SHOWN AT RIGHT

POWER SUPPLY	TERMINAL BLOCK	RANGE TOP	OVEN		
			1st DECK	2nd DECK	3rd DECK
SINGLE PHASE	L1	1-3-5	1	1	1
	L2	2-4-6	2	2	2
THREE PHASE	L1	3	1	1	-
	L2	1-5	2	-	1
	L3	2-4-6	-	2	2

ELECTRICAL DATA

MODEL NUMBER	LOADING					KW TOTAL	THREE PHASE AMPS						SINGLE PHASE AMPS	
	KW PER PHASE						208 VOLT			240 VOLT			208V	240V
	L1	L2	L3	L3	L1		L1	L2	L3	L1	L2	L3		
36S RANGE	6.0	10.0	5.0			21.0	45.8	66.7	62.5	39.7	57.8	54.2	101.0	87.5
LA-136S OVEN	6.0	0.0	0.0			6.0	28.8	28.8	0.0	25.0	25.0	0.0	28.8	25.0
LA-236S "	6.0	0.0	6.0			12.0	50.0	28.8	28.8	43.3	25.0	25.0	57.7	50.0
LA-336S "	6.0	6.0	6.0			18.0	50.0	50.0	50.0	43.3	43.3	43.3	86.5	75.0

USE ON ALL E SERIAL NUMBERS



MODEL DESIGNATION	TOP ARRANGEMENT			TOP SECTION WIRE DIAGRAMS					
	SEC-1	SEC-2	SEC-3	2000	3000	TO BREAKER			
36S-0	A	A	C						
36S-2	B	B	B						
36S-3A	B	B	C						
36S-10	A	A	A						
36S-20	C	C	C						
① HEAT ELEMENT ② THERMOSTAT ③ 3 HEAT SWITCH ④ PILOT LAMP ⑤ CIRCUIT BREAKER ⑥ SPEED UNITS ⑦ 6 HEAT SWITCH									
OVEN 3 POLE CIRCUIT BREAKER				L1	L2	L3			
				A	GRILL	B	HOT TOP	C	SPEED UNITS

ELECTRICAL CONNECTIONS					
POWER SUPPLY	RANGE TOP CONNECT TO OVEN CIRCUIT BREAKER	UPPER OVENS CONNECT TO BOTTOM DECK TERMINAL BLOCK			
		1st DECK	2nd DECK	3rd DECK	
THREE	L1	3	1	1	-
PHASE	L2	1-5	2	-	1
	L3	2-4-6	-	2	2

ELECTRICAL DATA									
MODEL NUMBER	LOADING					KW TOTAL	AMPS		
	KW PER PHASE						480 VOLT		
	L1	L2	L2	L3	L3		L1	L2	L3
36S RANGE	6.0	10.0	5.0	21.0	19.9	28.9	27.1		
LA-136 OVEN	6.0	0.0	0.0	6.0	12.5	12.5	0.0		
LA-236S "	6.0	0.0	6.0	12.0	21.7	12.5	12.5		
LA-336S "	6.0	6.0	6.0	18.0	21.7	21.7	21.7		

USE ON ALL E SERIAL NUMBERS

## PARTS LIST

DESCRIPTION	PART NO.
Element Top Plate 208V O/S 2000 Watts	11010-09
Element Top Plate 208V I/S 3000 Watts	11010-10
Element Top Plate 240V O/S 2000 Watts	11010-21
Element Top Plate 240V I/S 3000 Watts	11010-22
Element Top Plate 480V O/S 2000 Watts	11010-23
Element Top Plate 480V I/S 3000 Watts	11010-24
Hot Plate Cast Assy with Elements 208V 5000 Watts	11010-34
Hot Plate Cast Assy with Elements 240V 5000 Watts	11010-35
Hot Plate Cast Assy with Elements 480V 5000 Watts	11010-36
Element 36 Oven 240 Volt O/S 1800 Watts	11050-25
Element 36 Oven 240 Volt I/S 1200 Watts	11050-26
Element 36 Oven 480 Volt O/S 1800 Watts	11050-29
Element 36 Oven 480 Volt I/S 1200 Watts	11050-30
Element 36 Oven 208 Volt O/S 1800 Watts	11050-31
Element 36 Oven 208 Volt I/S 1200 Watts	11050-32
Element French Plate 208 Volt 2600 Watts	11120-12
Element French Plate 240 Volt 2600 Watts	11120-13
Element French Plate 480 Volt 2600 Watts	11120-14
Switch Rotating 3 Heat	30304-06
Switch Rotating 6 Heat + Off	30304-09
Thermostat 550°F Oven	30402-07
Thermostat 450°F Griddle	30402-08
Thermostat 850°F Hot Top	30402-23
Terminal Block 3 Pole Large	30500-07
Timer Mechanical Long Ring	30801-01
Pilot Light 208/240 Volt 6" Lead Black Body	31601-01
Pilot Light 480 Volt 6" Lead Black Body	31601-02
Circuit Breaker 208/240 Volt 1-Pole	31800-01
Circuit Breaker 480 Volt 3-Pole	31800-04
Rack Oven CLS Only	50200-72
Handle Channel Marine	50300-14
Element Pan Assembly with Snout	50300-20
Grab Bar Assembly 36" Long CLS	50300-32
Handle Assembly Marine	50300-38
Grab Bar Assembly 36" Long	50300-44
Pan Latch Assembly Marine	50300-63
French Plate Frame Assembly	50300-82
Element Clip Long	50301-09
Element Clip Short	50301-10
Element Bushing Metal	50301-11
Rotary Latch	50307-50
Range Plate Assy 1/2" x 1 foot	50401-01
Range Plate Assy 1/2" x 2 foot	50401-02
Range Plate Assy 1/2" x 3 foot	50401-03
Tension Disc Oven Door	50800-07
Ship Rail 13"	50900-01
Ship Rail 24"	50900-02
Ship Rail 35 3/8"	50900-04
Ship Rail Hooked 11 3/8"	50901-01

<b>DESCRIPTION</b>	<b>PART NO.</b>
Ship Rail Hooked 32 1/4"	50901-04
Spring Left Side 7 1/2" Long – Oven Door	51001-01
Spring Right Side 7 1/2" Long – Oven Door	51001-02
Ship Rail Socket Front	60102-981
Ship Rail Socket Rear	60102-982
Handle Assembly Oven Door	70603-05
Knob Manual Timer	70701-09
Knob 3 Heat Switch	70701-10
Knob Thermostat 550°F Oven	70701-15
Knob Thermostat 450°F Griddle	70701-16
Knob Damper Black	70701-25
Knob Thermostat 850°F Hot Top	70701-35
Knob 6 Heat Switch	70701-41