

Model: CSG24 GAS 24" CLAMSHELL

Lang

SK2476, Rev. B 07/09/2018

PARTS LIST

JULY 09, 2018, Rev. A

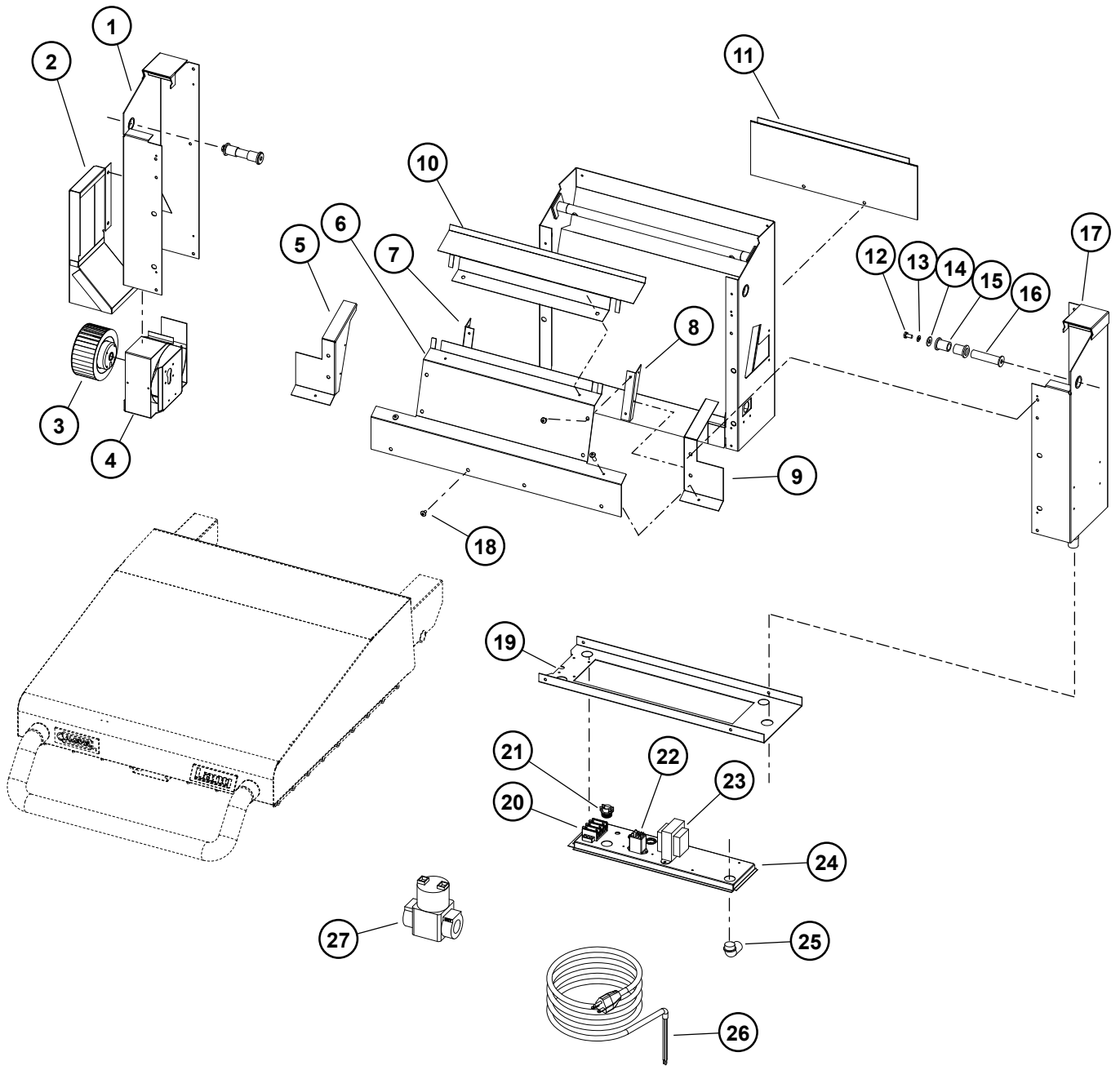
Gas Clamshell Hood Parts List				
Fig No	Part No	Qty	Description	Application
1	K9-60101-851	1	HOOD WRAP ASSY, w/DIE CAST LOGOS	
2	2M-60301-W2	1	LANG CLAMSHELL LOGO	
3	K9-70603-24	1	AGC HOOD HANDLE ASSY COMPLETE	
4	K9-60301-43-1	1	SATIN CHR-M-LANG DIE CAST	
5	2K-70801-19	1	BUSHING HEYCO 5/8#2077	
6				
7	2P-51002-11	2	HOOD SPRING	
8	2P-51002-05	2	SPRING GAS HOOD	
9	2P-70201-06	2	BRNZ BR FLN BUSHING	
10	K9-50312-40	2	SPRING PISTON / WASHER	
11	2C-20104-37	2	SCRW 3/8-16X12 H/H CAP 2 THD	
12	2V-80502-03	1	SOLENOID VALVE 24VAC 1/2PIPE	CSG24
		2		CSG24B
13	K9-30307-01	1	SWT MERC TLT W/250°C 18GA	
14	2J-80300-10	1	SPRK IGN CNTRL	
15	2V-80501-03	1	GAS REG 1/2X1/2CLSISET10	LP
	2V-80501-10	1	GAS REG 1/8X1/2 CLS I	NAT
16	Y9-80403-04	1	90 DEG FITING W/#29 DRL	NAT
	2A-80400-26		ORIFICE HOOD .1360 #29	
	Y9-80403-05	1	90 DEG FITING W/#44DRL	LP
	2A-80400-27		ORIFICE HOOD .0860 #44	
17	2E-103-232	1	HARNESS, AGC HOOD #1	
19	2J-80302-06	1	IGNITOR/SENSOR CHANNEL	
20	K9-103-3	1	SPARK COVER	
21	K9-51100-59	1	BURNER TILE ASSY, GLUED	
--	2H-60106-67	1	INSULATION BURNER TILE KIT (INCLUDED w/K9-51100-59)	
22	2U-103-193	1	LEFT SKIRT	
23	2V-103-194	1	RIGHT SKIRT	
24	2V-103-197	1	FRONT SKIRT w/HINGE	
25	K9-60102-1964	1	FRONT SKIRT INNER WALL w/SCREWS	
26	2C-20103-02	3	SCRW SM PLT 10 X .5 PHLSL	
27	K9-103-A88	1	FLAPPER ASSY	
28	2B-50201-08	1	WIRE GUARD ADD-ON-BROILER	
29	2K-70101-51	1	BRAS TBE ELBOW 1/4CC X 1/4CC	
30	K9-103-4	1	TOP SEAL PLATE	
31	K9-103-89	1	TOP PLATE SEAL	
32	2C-20201-03	1	WSHR FLT AN960-716	
33	K9-103-71	1	TUBE #5	
34	2A-80401-04	1	PILOT BURNER ORIFICE, .021DRL	NAT
	2A-80401-05		PILOT BURNER ORIFICE, .010DRL	LP
NI	2H-103-124	1	COMPONENT COVER INSULATION	

**IMPORTANT: WHEN ORDERING, SPECIFY VOLTAGE OR TYPE GAS DESIRED
INCLUDE MODEL AND SERIAL NUMBER**

PAGE 1
OF 1

Some items are included for illustrative purposes only and in certain instances may not be available.





Model: CSG24 GAS 24" CLAMSHELL, FRAME ASSY

Lang

SK2477, Rev. A, 3/23/2015

PARTS LIST

October 29, 2012, Rev. -

Gas Clamshell Frame Parts List				
Fig No	Part No	Qty	Description	Application
1	K9-103-702-W2	1	LEFT OUTER STANCHION - ASSY	CSG24
	K9-103-702-1		LEFT OUTER STANCHION	CSG24B
2	K9-103-701	1	BLOWER DUCT - SPOT	
3	2U-30200-44	1	MOTOR & BLOWER ASSY FOR AGC	
4	OB-60102-194	1	OBS AGC BLOWER HOUSE ASSY	
5	K9-103-301	1	STANCHION COVER LH	CSG24
	K9-103-301-2			CSG24B
6	K9-103-303	1	INNER DRIP EDGE	CSG24
	K9-103-303-2			CSG24B
7	K9-103-304	1	BAFFLE CLIP RH	
8	K9-103-305-1	1	BAFFLE CLIP LH	
9	K9-103-300	1	STANCHION COVER RH	CSG24
	K9-103-300-2		STANCHION COVER RH	CSG24B
10	K9-103-323	1	HOODWRAP DRIP CATCHER	
11	K9-103-164	1	REAR ACCESS COVER	
12	2C-20104-08	2	SCRW HXHD CAP PLT 1/4-20	
13	2C-20202-05	2	WSHR PLT 1/4 LOCK SPLIT	
14	2C-20201-05	2	WSHR LFT 1/4 USS PLTD	
15	2P-70201-07	4	BRNZ BR FLN 5/8IDX3/4ODX1	
16	K9-60102-1911	2	HOOD PIVOT SHAFT ASSY	
17	K9-103-115-W3	1	RIGHT OUTER STANCHION	CSG24
	K9-103-115-3		RH OUTER STANCHION	CSG24B
18	2C-20109-04	16	SCREW THD MS SS 10-32X	
19	K9-103-102	1	FIXED BOTTOM	
20	2E-30501-02	1	TRM STRP 3 POLE W/PUSH ON TRM	
21	2E-31200-01	1	BOX CONNECTOR 3/8	
22	2E-30600-11	1	RELAY 120V SPDT FLANGE MNT	used w/Envirozone Griddles
	2E-30600-04		RLAY 24VAC 2FRMC DPDT FLNG MNT	
23	2E-31400-07	1	XFRMR, 120-208-240/24V,40V	
24	K9-103-101	1	COMPONENT TRAY	
25	2E-70505-07	1	CONDUIT CNNCTR 3/8 90° FLEX	
26	2E-31107-06	1	CORD SET 14/3 X 6' 15A	
27	2V-80502-03	1	SOLENOID VALVE 24VAC	
NI	2E-30308-01	1	SWITCH AIR 10WC 1/4	
NI	K9-103-95	1	AIR SWITCH HOSE	
NI	2E-40704-04	1	CAP - BLOWER START FOR	

**IMPORTANT: WHEN ORDERING, SPECIFY VOLTAGE OR TYPE GAS DESIRED
INCLUDE MODEL AND SERIAL NUMBER**

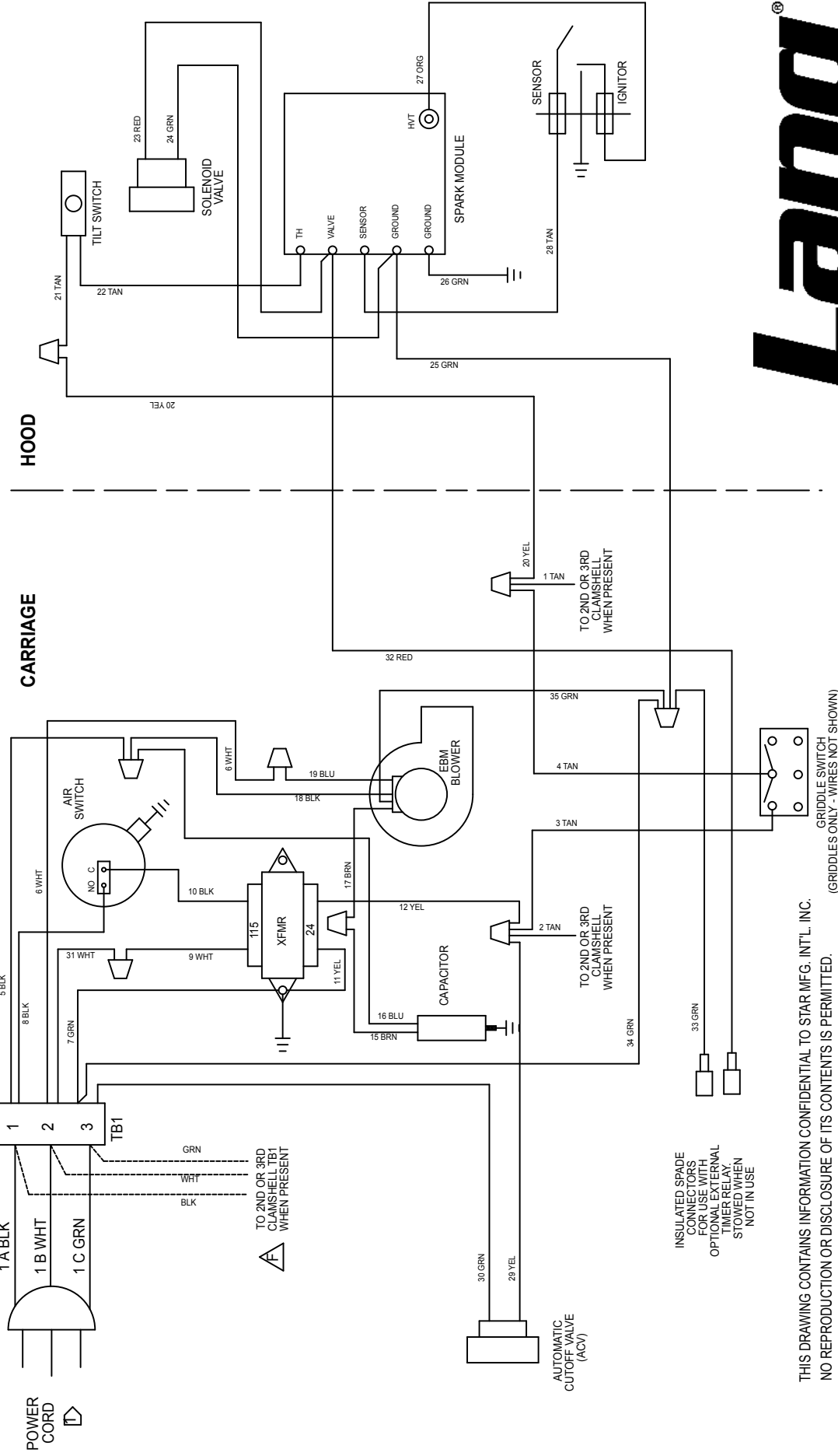
PAGE 1
OF 1

Some items are included for illustrative purposes only and in certain instances may not be available.



⚠ WHEN 2 OR 3 HOODS ARE PRESENT, ONLY ONE POWER CORD IS USED FOR ALL HOODS.

REV.	DATE/ECO	DESCRIPTION OF CHANGE
F	6/8/2011 ECO 10748	REDRAWN IN SOLIDWORKS ADDED POWER JUMPER FOR 2ND & 3RD HOOD



2M-61113-24 Rev F 6-8-2011

THIS DRAWING CONTAINS INFORMATION CONFIDENTIAL TO STAR MFG. INT'L. INC.
NO REPRODUCTION OR DISCLOSURE OF ITS CONTENTS IS PERMITTED.
(GRIDDLES ONLY - WIRES NOT SHOWN)

MODELS:
ADD ON GAS CLAMSHELL