



PARTS & SERVICE MANUAL for Overhead Food Warmers Models FW & NW Series



Model EZFW-24X Shown.



Model EZNW-24X Shown.

IMPORTANT INSTALLATION REQUIREMENTS

FW Series:

Do not install closer to ceiling than $\frac{1}{4}$ inch (0.25"). Do not install closer to a wall than 1-inch (1.0") at ends and 3 inches (3.0") at sides. Minimum spacing between two or more units is 8 inches (8.0") at sides. Do not install over combustible materials at a height of less than 12 inches (12.0"). For electrical supply connections use wire suitable for 90°C (200°F). Use ceramic wire connectors (plastic wire connectors and/or plastic tape IS NOT to be used).

NW Series:

Do not install closer to a ceiling than 2 $\frac{1}{4}$ inches (2.25"). Do not install closer to a wall than 1-inch (1.0") at each end and 3 inches (3.0") at sides. Minimum spacing between two or more units is 8 inches (8.0") at sides. Do not install over combustible material at a height of less than 12 inches (12.0"). For electrical supply connections use wire suitable for 90°C (200°F). Use ceramic wire connectors (plastic wire connectors and/or plastic tape IS NOT to be used).

THIS MANUAL SHOULD BE RETAINED FOR FUTURE USE.

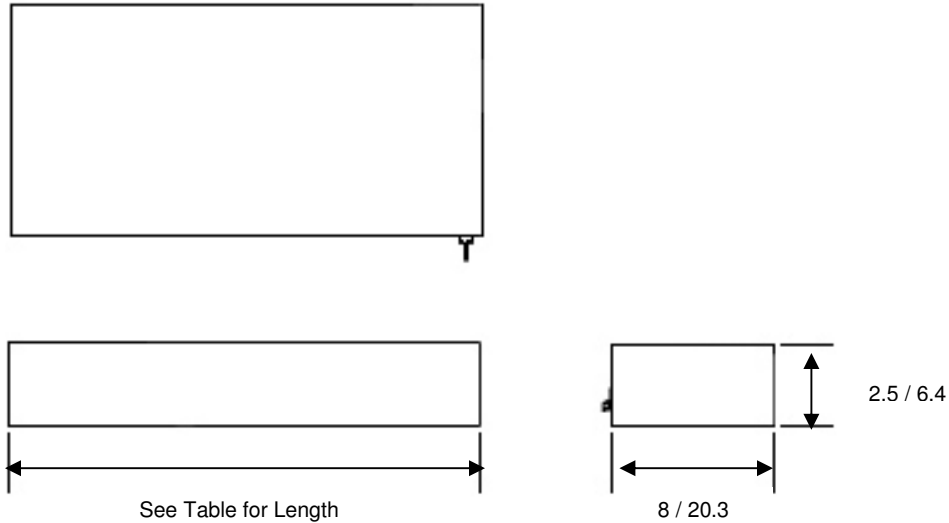
OVERHEAD FOOD WARMER MODEL IDENTIFICATION

1. Unit provided with high watt elements:
YES - Include prefix "HW"
NO - NO "HW" prefix
2. Heating elements mounted in sockets:
YES - Include prefix "EZ"
NO - NO "EZ" prefix
3. Illumination lamps and sockets provided with elements:
YES - Include prefix "L"
NO - NO "L" prefix
4. Width of unit:
5" - Include prefix "NW-"
8" - Include prefix "FW-"
5. Unit length rounded to the nearest 6-inch increment equals the model suffix designation.
6. If all of the following exist, add suffix "X" to the model designation.
 - a. Units made after Jan. 1, 1992.
 - b. Overall length of unit, in inches (+/- 1/8") equals the model designation (item 5 above).
 - c. The field-wiring junction is integrated into the end of the unit (units without the "X" designation use a separate junction box for field wiring).

NOTE:

- Items 4 and 5 are provided on all Overhead Food Warmers.
- Items 1, 2 & 3 are all options that may or may not have been included with the equipment.
- Item 6 designates the newer style. All applicable prefix and suffix designations must be included to insure proper identification of replacement parts.
- Item 6 section a: The serial number on Merco is also a date code, i.e.: 940512-12 would designate a manufacture date of May 12, 1994 and the 12th unit of the day. The first two digits of "00" constitutes year 2000, first two digits of "01" constitutes year 2001 and so on.

DIMENSIONS:
(inches/cm)



Model #	120V	Voltage Amps 120 208V	120 240V	Watts	Length Inches / cm	Net Wt. Lbs / kg	Ship Wt Lbs / kg	Ship Size Cu ft / cm
EZFW-18X	4.6	2.6	2.3	550	18/45.7	7/3.2	8/3.6	0.5/0.01
EZFW-24X	5.7	3.3	2.8	680	24/61	8/3.6	9/4.1	0.5/0.01
EZFW-30X	6.3	3.6	3.1	750	30/76.2	9/4.1	10/4.5	0.75/0.02
EZFW-36X	6.9	4.0	3.4	825	36/91.4	10/4.5	11/5	0.75/0.02
EZFW-48X	9.2	5.3	4.6	1100	48/121.9	11.5/5.2	13/5.9	1/0.03
EZFW-54X	11.9	6.9	6.0	1430	54/137.2	13.5/6.1	15/6.8	1/0.03
EZFW-60X	12.5	7.2	6.3	1500	60/152.4	15.5/7	17/7.7	1/0.03
EZFW-72X	13.8	7.9	6.9	1650	72/182.9	16.5/7.5	18/8.2	1/0.03

Model #	120V	Voltage Amps 120 208V	120 240V	Watts	Length Inches / cm	Net Wt. Lbs / kg	Ship Wt Lbs / kg	Ship Size Cu ft / cm
FWM-18X	4.6	2.6	2.3	550	18/45.7	7/3.2	8/3.6	0.5/0.01
FWM-24X	5.7	3.3	2.8	680	24/61	8/3.6	9/4.1	0.5/0.01
FWM-30X	6.3	3.6	3.1	750	30/76.2	9/4.1	10/4.5	0.75/0.02
FWM-36X	6.9	4.0	3.4	825	36/91.4	10/4.5	11/5	0.75/0.02
FWM-48X	9.2	5.3	4.6	1100	48/121.9	11.5/5.2	13/5.9	1/0.03
FWM-54X	11.9	6.9	6.0	1430	54/137.2	13.5/6.1	15/6.8	1/0.03
FWM-60X	12.5	7.2	6.3	1500	60/152.4	15.5/7	17/7.7	1/0.03
FWM-72X	13.8	7.9	6.9	1650	72/182.9	16.5/7.5	18/8.2	1/0.03

FW & NW REPLACEMENT PARTS

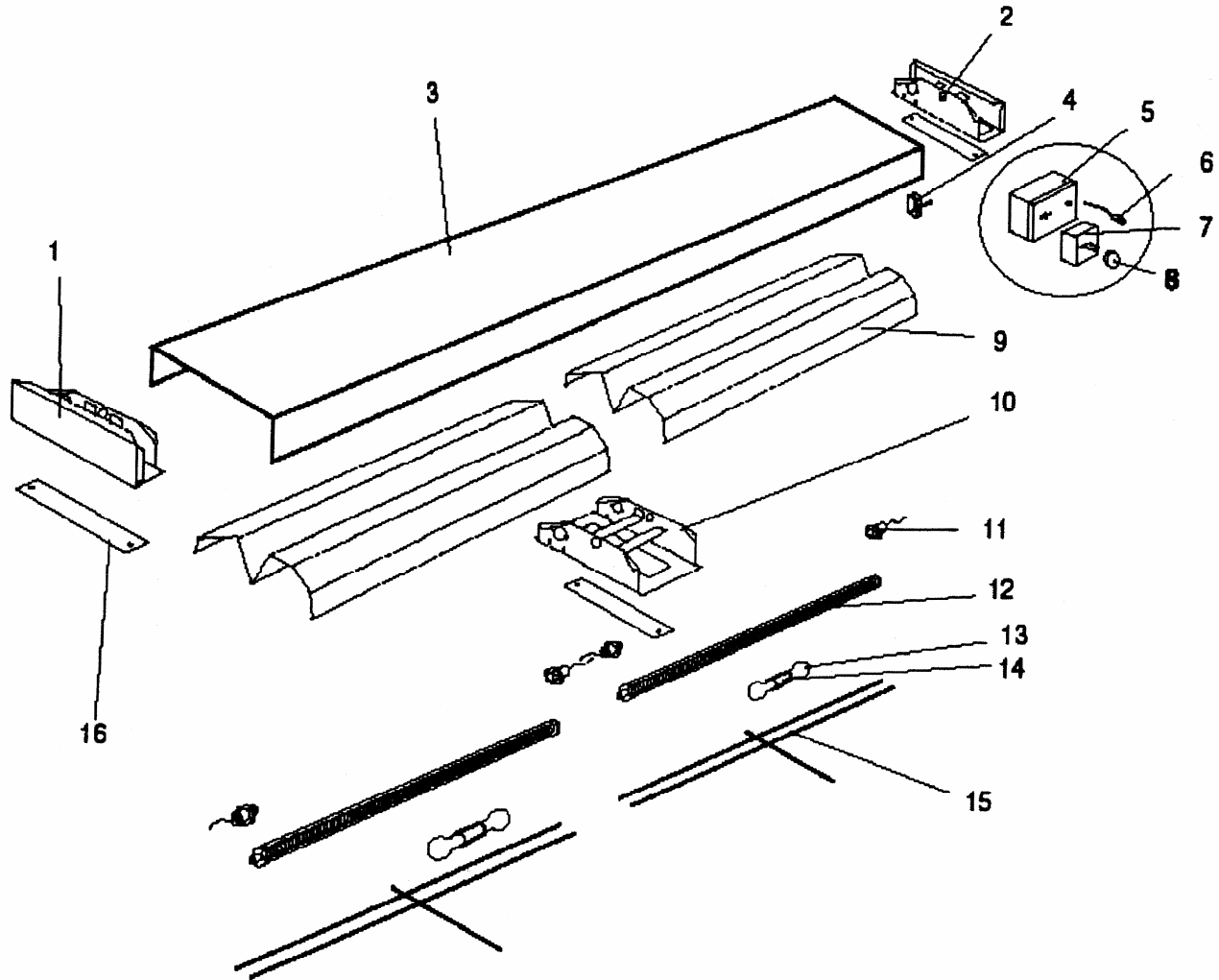
Cordset, 120V (18 through 72)	–	050027	On/Off Switch, 120V, 10A	–	000716
Cordset, 208 and 240V	–	000308	On/Off Switch, 120V 20A	–	000712
Cordset, 120/208V and 120/240V LFW or LNW units	–	072048	On/Off Switch, 208 & 240V	–	000711
Infinite Control, 120V w/term.	–	050377	On/Off Switch, 120V (Non “X”)	–	000715
Infinite Control, 208V & 240V	–	050378	Socket, Appl. Lamp, Single	–	050461
Knob	–	000320	Socket, Appl. Lamp, Twin	–	050463
Socket, Tube w/suffix “X”	–	000672	Lamp, Appl. 120V*	–	000370
Socket, w/o suffix “X”	–	050026	Lamp, Appl. 208V & 240V	–	000378
Pilot Light, w/clip	–	000274	Wirenut, Ceramic (Hi-7)	–	000466
			*includes 120/208V and 120/240V units		

FW & NW REPLACEMENT TUBE CHART

MODEL	DESCRIPTION	120V	208V	240V	MODEL	DESCRIPTION	120V	208V	240V
FW-18	T-18, 550W	110004	110151	110217	EZFWM-18	EZTM-18, 550W	110666	N/A	N/A
FW-24	T-24, 680W	110005	110152	110218	EZFWM-24	EZTM-24, 680W	110662	110790	110906
FW-30	T-30, 750W	110006	110153	110219	EZFWM-30	EZTM-30, 750W	110663	110791	110907
FW-36	T-36, 825W	110007	110154	110220	EZFWM-36	EZTM-36, 825W	110664	110792	110908
FW-42	T-42, 950W	N/A	N/A	N/A	EZFWM-42	EZTM-42, 950W	N/A	N/A	N/A
FW-48	T-48, 1100W	110008	110155	110221	EZFWM-48	EZTM-48, 1100W	110665	110793	110909
FW-54	T-24, 680W	110005	110152	110218	EZFWM-54	EZTM-24, 680W	110662	110790	110906
	T-30, 750W	110006	110153	110219		EZTM-30, 750W	110663	110791	110907
FW-60	T-30, 750W (2)	110006	110153	110219	EZFWM-60	EZTM-36, 825W-2	110663	110791	110907
FW-66	T-30, 750W	110006	110153	110219	EZFWM-66	EZTM-30, 750W	110663	110791	110907
	T-36, 825W	110007	110154	110220		EZTM-36, 825W	110664	110792	110908
FW-72	T-36, 825W (2)	110007	110154	110220	EZFWM-72	EZTM-36, 825W-2	110664	110792	110908
FW-84	T-36, 825W	110007	110154	110220	EZFWM-84	EZTM-36, 825W	110664	110792	110908
	T-48, 1100W	110008	110155	110221		EZTM-48, 1100W	110665	110793	110909
FW-96	T-48, 1100W (2)	110008	110155	110221	EZFWM-96	EZTM-48, 1100W-2	110665	110793	110909
EZFW-18	EZT-18, 550W	110649	110772	110892	EZFW-60	EZT-30, 750W (2)	110653	110776	110896
EZFW-24	EZT-24, 680W	110650	110773	110893	EZFW-66	EZT-30, 750W	110653	110776	110896
EZFW-30	EZT-30, 750W	110653	110776	110896		EZT-36, 825W	110655	110778	110898
EZFW-36	EZT-36, 825W	110655	110778	110898	EZFW-72	EZT-36, 825W (2)	110655	110778	110898
EZFW-42	EZT-42, 950W	110921	110922	110923	EZFW-84	EZT-36, 825W	110655	110778	110898
EZFW-48	EZT-48, 1100W	110657	110780	110900		EZT-48, 1100W	110657	110780	110900
EZFW-54	EZT-24, 680W	110650	110773	110893	EZFW-96	EZT-48, 1100W	110657	110780	110900
	EZT-30, 750W	110653	110776	110896					
HWEZFWM-24C		110674	N/A	110910					
HWEZTM-24, 825W									

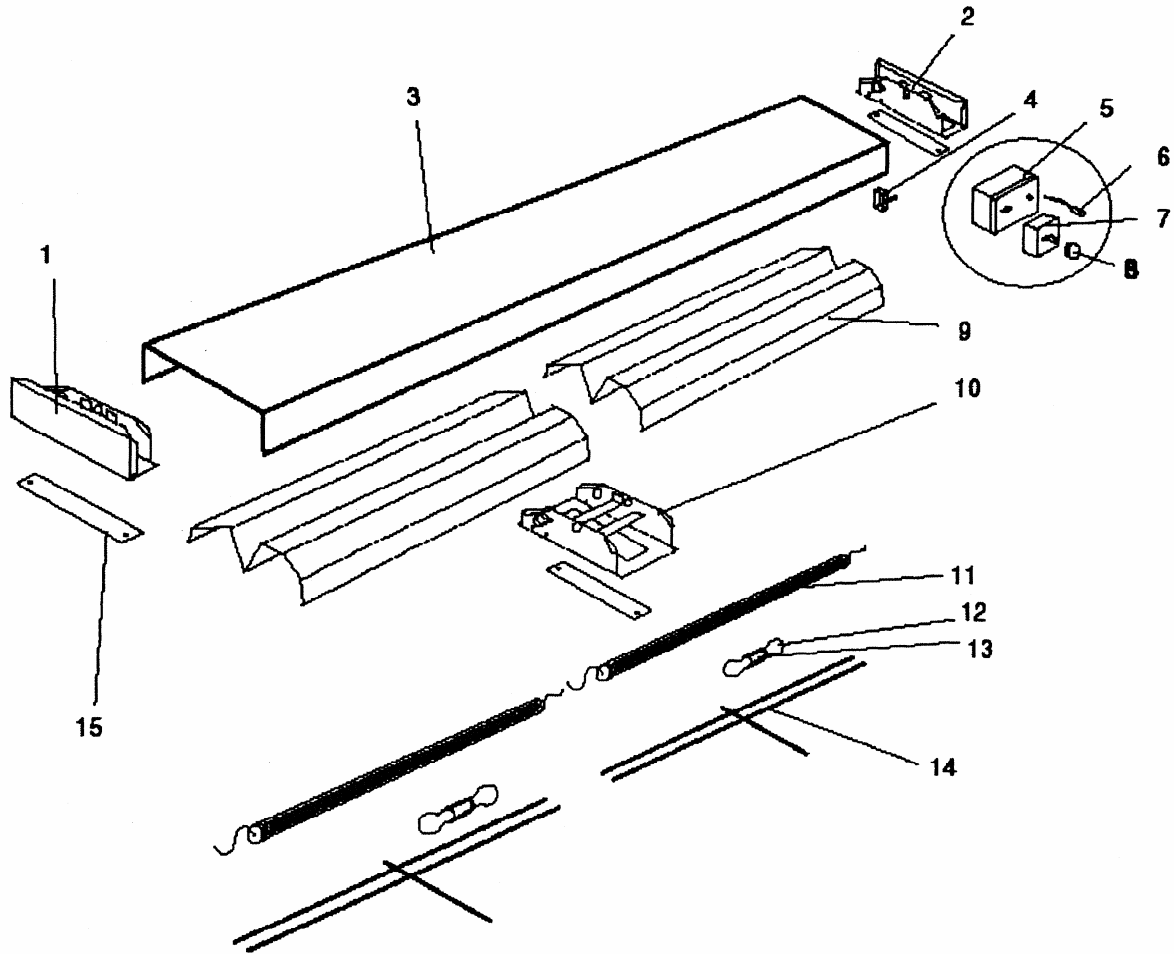
Notes: 120/208V models use 208V tubes, 120/240V models use 240V tubes.
 Models with suffix “X” and/or prefix “L” use tubes identical to similarly identified models above.
 For replacement tubes on models with prefix “HW” (except model HWEZFWM-24C) consult your Service Tube Chart.
 To locate replacement elements for NW models, replace NW for FW in the chart above.

EZFW & EZNW



ITEM #	DESCRIPTION	PART #	ITEM #	DESCRIPTION	PART #
1	EZ-X End Closed Left	088194 EZFW 088196 EZNW	9	Reflector	Call Factory
2	EZ-X End Closed Right	088193 EZFW 088195 EZNW	10	EZ-X Tandem End	088209 EZFW 088210 EZNW
3	Shell	Call Factory	11	EZ Socket	000672 w/Suffix "X" 050025 w/o Suffix "X"
4	Switch	000716 Tog. 120V 000711 Tog. 204V	12	Tube Element	See Tube Chart
5	Junction Box	See "Box, Junction" in Price List	13	Appliance Bulb	000370 – 120V 000378 – 208/240V
6	Pilot Light	000274	14	Appliance Socket	050461 – Single 050463 – Twin
7	Infinite Control	050377 – 120V 050378 – 280/240V	15	Guard Wire	See Guard Assy. Kit in Price List
8	Infinite Control Knob	000320	16	Cover Plate	088214 EZFW 088215 EZNW
			Not Shown	"Caution Hot" Sticker	000695

FW & NW



ITEM #	DESCRIPTION	PART #	ITEM #	DESCRIPTION	PART #
1	End Closed Left	088186 FW 088184 NW	9	Reflector	Call Factory
2	End Closed Right	088187 FW 088152 NW	10	Tandem End	088209 FW 088210 NW
3	Shell	Call Factory	11	Tube Element	See Tube Chart
4	Switch	000716 Tog. 120V 000711 Tog. 204V	12	Appliance Bulb	000370 – 120V 000378 – 208/240V
5	Junction Box	See "Box, Junction" in Price List	13	Appliance Socket	050461 – Single 050463 – Twin
6	Pilot Light	000274	14	Guard Wire	See Guard Assy. Kit in Price List
7	Infinite Control	050377 – 120V 050378 – 280/240V	15	Cover Plate	088214 FW 088215 NW
8	Infinite Control Knob	000320	Not Shown	"Caution Hot" Sticker	000695

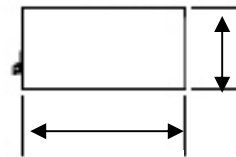
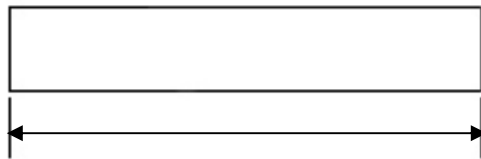
OVERHEAD FOOD WARMER PARTS

Unit	P/N	Unit	P/N
Reflectors			
FW-12	NLA	NW-12	NLA
FW-18	050241	NW-18	050631
FW-24	050242	NW-24	NLA
FW-30	050243	NW-30	050639
FW-36	050244	NW-36	050643
FW-48	050245	NW-48	050647
FW-12X	NLA	NW-12X	NLA
FW-18X	088342	NW-18X	088224
FW-24X	088343	NW-24X	088225
FW-30X	088344	NW-30X	088230
FW-36X	088345	NW-36X	088235
FW-42X	088350	NW-42X	088236
FW-48X	088346	NW-48X	088240
LFW-12	NLA	LFW-12X	NLA
LFW-18	050227	LFW-18X	088572
LFW-24	050228	LFW-24X	088573
LFW-36	050236	LFW-36X	088575
LFW-42	NLA	LFW-42X	088576
LFW-48	050237	LFW-48X	088577
Wire Guard (Heat Tube)			
FW-12X	NLA	NW-12X	NLA
FW-18X	088482	NW-18X	088472
FW-24X	000864	NW-24X	000869
FW-30X	000866	NW-30X	000870
FW-36X	000867	NW-36X	000871
FW-42X	088486	NW-42X	088476
FW-48X	000868	NW-48X	000872
LFW-12	NLA	LFW-12X	NLA
LFW-18	NLA	LFW-18X	088492
LFW-24	000832	LFW-24X	088493
LFW-30	000875	LFW-30X	088494
LFW-36	000876	LFW-36X	088495
LFW-42	NLA	LFW-42X	088496
LFW-48	000877	LFW-48X	088497

PORTABLE FOOD WARMERS

PORTABLE FOOD WARMERS			
Cordsets		Infinite Controls	
120v	050017	120v	050377
208/240v	000308	208/240v	050378
120/208 – 120/240v	072048	Knob	000320
Tube Sockets		Appl. Lamp Sockets (L models only)	
w/suffix X	000672	Single	050461
w/o suffix X	050026	Twin	050463
Switches		Misc	
On/Off 120v 10a	000716	Pilot Light	000274
On/Off 120v 20a	000712	Wirenut	000466
On/Off 208/240v	000711	Lamp 120v	000370
On/Off 208/240v nonX	000715	Lamp 208/240v	000378
Heat Tubes (see chart)			

DIMENSIONS:
(inches/cm)



See Table for Length

5 / 12.7

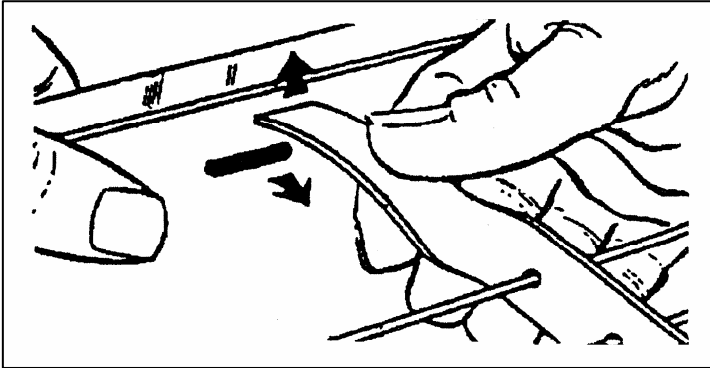
2.5 / 6.4

Model #	120V	Voltage Amps 120 208V	120 240V	Watts	Length Inches / cm	Net Wt. Lbs / kg	Ship Wt Lbs / kg	Ship Size Cu ft / cm
EZNW-18X	4.6	2.6	2.3	550	18/45.7	5/2.3	6/2.7	0.5/0.01
EZNW-24X	5.7	3.3	2.8	680	24/61	6/2.27	7/3.2	0.5/0.01
EZNW-30X	6.3	3.6	3.1	750	30/76.2	7/3.2	8/3.6	0.5/0.01
EZNW-36X	6.9	4.0	3.4	825	36/91.4	8/3.6	9/4.1	0.75/0.02
EZNW-48X	9.2	5.3	4.6	1100	48/121.9	9.5/4.3	11/5	0.75/0.02
EZNW-60X	12.5	7.2	6.3	1500	60/152.4	12.5/5.7	14/6.4	0.75/0.02
EZNW-72X	13.8	7.9	6.9	1650	72/182.9	14.5/6.6	16/7.3	1/0.03

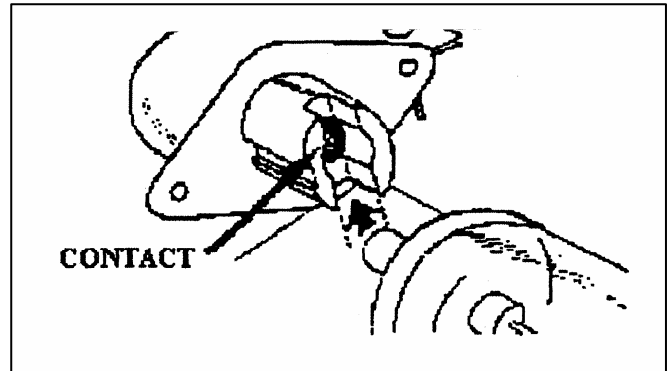
Model #	120V	Voltage Amps 120 208V	120 240V	Watts	Length Inches / cm	Net Wt. Lbs / kg	Ship Wt Lbs / kg	Ship Size Cu ft / cm
FWM-18X	4.6	2.6	2.3	550	18/45.7	5/2.3	6/2.7	0.5/0.01
FWM-24X	5.7	3.3	2.8	680	24/61	6/2.27	7/3.2	0.5/0.01
FWM-30X	6.3	3.6	3.1	750	30/76.2	7/3.2	8/3.6	0.5/0.01
FWM-36X	6.9	4.0	3.4	825	36/91.4	8/3.6	9/4.1	0.75/0.02
FWM-48X	9.2	5.3	4.6	1100	48/121.9	9.5/4.3	11/5	0.75/0.02
FWM-60X	12.5	7.2	6.3	1500	60/152.4	12.5/5.7	14/6.4	0.75/0.02
FWM-72X	13.8	7.9	6.9	1650	72/182.9	14.5/6.6	16/7.3	1/0.03

EZ TUBE INSTALLATION AND REPLACEMENT INSTRUCTIONS

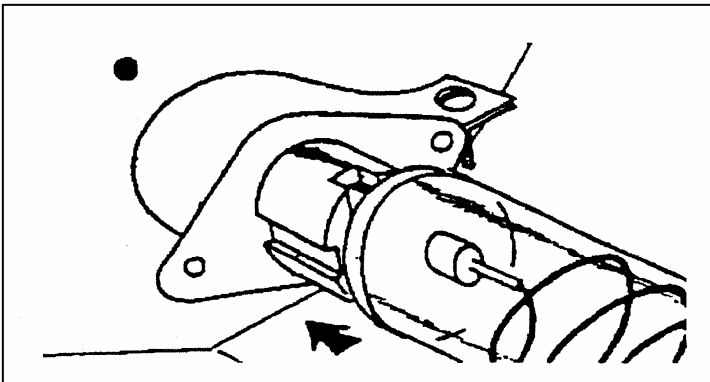
CAUTION: PRIOR TO REPLACING A HEAT TUBE, MAKE SURE THE CONTACT IS CLEAN.
IF IT IS BURNT OR DIRTY REPLACE THE SOCKET.



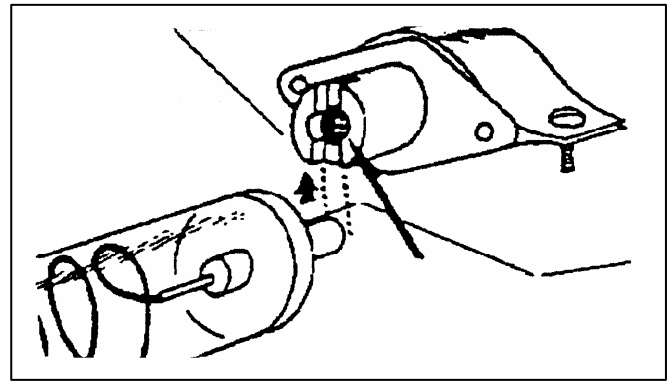
1. Remove the tube guard by pushing against the face of the warmer with left thumb and “bowing” the cross brace upward with your right hand. Pull the brace free. Remove the lengthwise brace.



2. Place the left tip of the tube under the white socket (receptacle of the terminal). Raise the tube into the slot and apply enough inward pressure to compress the terminal slightly.



3. While keeping the tube compressed into the left terminal of the socket, position the right end of the tube directly beneath the right socket.

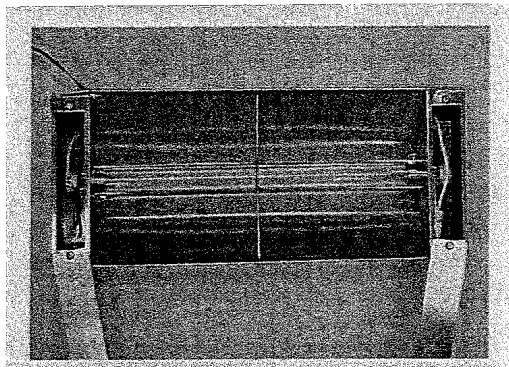


4. Raise the tube into direct alignment with the center of the right terminal. Release grip slowly allowing the compressed left socket (terminal) to lock tube into position.

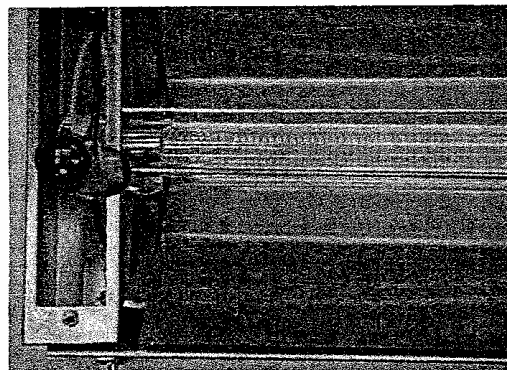
NOTE: These instructions are based on the unit laying on a work surface upside down.

CAUTION: Be sure the tube is centered in the socket terminals before placing the warmer in the upright position and turning on power.

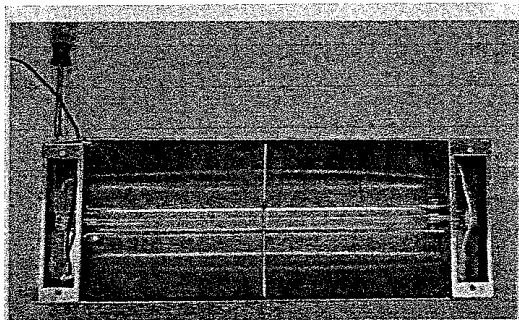
WIRE IN HEAT TUBE REPLACEMENT INSTRUCTIONS



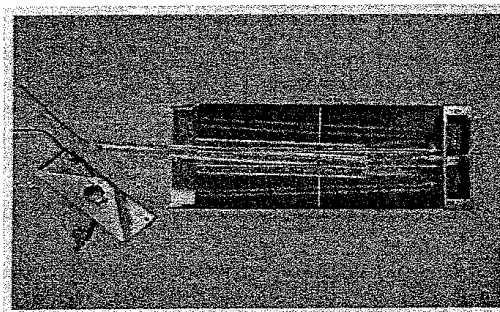
1. Remove the 4 screws holding the access panels onto the unit (2 per panel).



2. Loosen the screws on the heat tube collars (one on each end of the tube).



3. Remove the hex head-retaining nut from the on/off switch. Remove the 3 screws holding the end panel onto the unit (switch end).



4. Carefully remove the end panel, remove the on/off switch and disconnect the white wire.* Remove the wire nut from the opposite end of the heat tube. The tube is now ready to be taken out of the unit.

5. Reassemble in reverse order.

* For units with an infinite control, both ends of the heat tube will have wire nuts.

OVERHEAD & PORTABLE FOOD WARMER INSTALLATION INSTRUCTIONS

MODELS

FW, LFW, NW, HWFW, HWLFW, FW-DUAL and LFW-DUAL series with or without prefix EZ

Merco Food Warmers are shipped completely assembled with wiring and ready for mounting. Use wire suitable for 90°C (200°F).

Each unit is shipped with two hanger tags mounted on each end. These should be used for chain mounting. Use #16 single-jack chain or equivalent. For undershelf or pass-through installation on 8" wide models, bend the hanger tag 90°.

CAUTION – on **FW, EZFW, LFW, EZLFW, FW-DUAL, EZFW-DUAL, LFW-DUAL & EZLFW-DUAL** series units, **do not install closer than ¼ inch** from the top of the unit, 1 inch at ends, and 3 inches at the sides. Do not install over a combustible surface closer than 12 inches for UL models and 15 inches for CSA models. On **NW** and **EZNW** series warmers, **do not install closer than 2 ¼ inches** from the top of the unit, 1 inch at the ends, and 3 inches at the sides. Do not install over a combustible surface closer than 18 inches. On **HWFW, HWEZFW, HWLFW, and HWEZLFW** series warmers, **do not install closer than 1 ½ inches** from the top of the unit, 1 inch at end, and 3 inches at the sides. Do not install over a combustible surface closer than 20 inches.

**** Do not make any additional holes in the outside shell for BX or conduit. ****

MODELS

PW240, FF240, EZPW and EZFF240

Merco Food Warmers are shipped completely assembled with wiring and ready for use. Place unit on a flat surface, plug unit into the proper receptacle with the proper voltage.

CAUTION

- Remove packing from around center and both ends of the heat tube when installing this unit.
- Use porcelain wire connectors – **DO NOT USE PLASTIC WIRE CONNECTORS.**
- Use high-temp glass cloth electrical tape when securing connectors.
- ****** DO NOT USE PLASTIC ELECTRICAL TAPE. ******
- If your unit was supplied with appliance lamps, they are teflon coated. When replacing these bulbs they must be replaced with similarly coated bulbs. This is mandatory to comply with NSF regulations. These bulbs may be purchased from one of the Merco Savory authorized maintenance and repair centers.

OVERHEAD & PORTABLE FOOD WARMER OPERATION AND CLEANING INSTRUCTIONS

Your Merco Food Warmer has been designed to keep your cooked foods hot. For best product quality, product should be placed on a flat surface approximately 18" below your Merco Food Warmer. (Please refer to the installation instruction sheet for proper installation of your particular unit.) Product should be maintained at approximately 140°F. Please be sure all packaging materials have been removed before operating unit.

TEMPERATURE ADJUSTMENT

Standard Merco Food Warmers

The standard unit comes only with an on/off toggle switch and does not have the capability of adjustable heat.

Units with optional Infinite Control

Due to the wide variation in applications, products and environments, the control dial(s) have setting numbers for your convenience. For this reason you will need to experiment with the control dial(s) to determine which setting maintains the best food qualities for your products. Due to a break-in period, the settings may need adjusting during the first 30 days.

To adjust the control dial(s), turn the dial(s) to setting #4 and monitor the temperature of your product. If the product temperature is too low, adjust the dial(s) to a higher setting. If the temperature is too high, adjust the dial(s) to a lower setting.

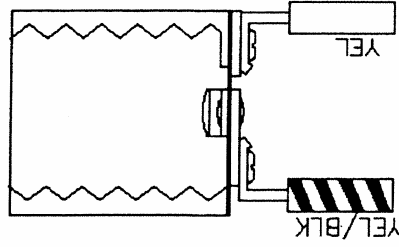
CLEANING

Turn unit off or disconnect the power supply and allow a few minutes for the unit to cool down before cleaning. Your unit should be wiped down daily with a soft damp cloth and cleaned weekly with a scotch-brite pad. Avoid excessive water or cleaning solution on the unit as it may allow the electrical connections to become corroded and/or cause the unit to fail. Your unit may require more frequent cleaning depending on conditions in your particular environment. The heat tube should be rotated one or two turns weekly to ensure a clean and proper connection which will help lengthen the life of the heating element(s).

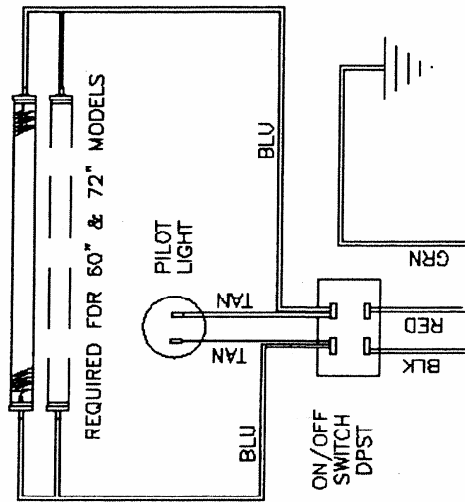
TROUBLESHOOTING CHART

Problem	Remedy
Unit doesn't heat and *appliance lamps don't work. * (when applicable)	<ul style="list-style-type: none"> A. Is unit plugged in and does receptacle have power? B. Are switches turned on? C. Check cord and main power leads.
Unit temperature does not drop after adjusting Infinite Control down. <i>Note: Not applicable on units with toggle switch.</i>	<ul style="list-style-type: none"> A. Infinite Control has failed and needs to be replaced.
Appliance lamps don't work but heating elements do work*. * (when applicable)	<ul style="list-style-type: none"> A. Replace appliance lamps. B. Check wiring on 120/208v or 120/240v units.
Tubes don't heat but appliance lamps work.	<ul style="list-style-type: none"> A. Check for proper tube installation. B. Visually check for break in tube wire. C. Check wiring for short or loose connection. D. Check Infinite Control for proper operation.

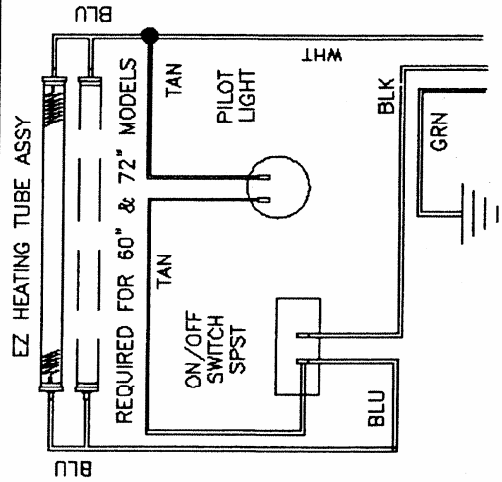
NOTE:
YELLOW WIRE IS NEUTRAL
CONNECTION TO SHELL OF
SOCKET. (AS ILLUSTRATED)



EZ HEATING TUBE ASSY

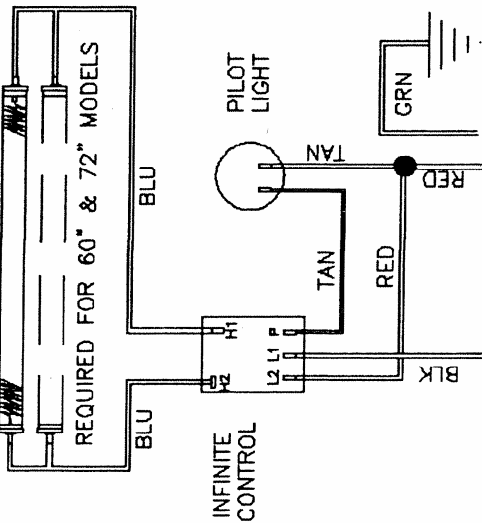


208V & 240V W/ON/OFF SWITCH
ALL STRIP & PORTABLE WARMERS 12"-72"



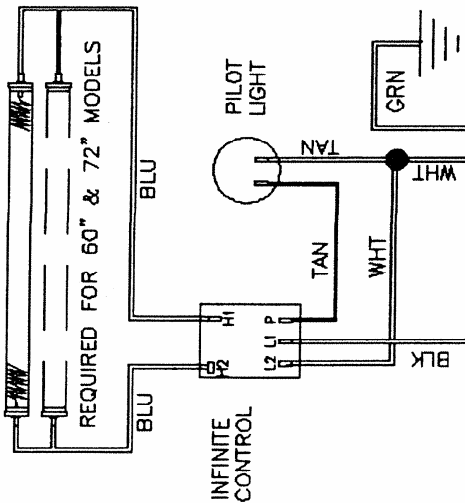
120 VAC W/ON/OFF SWITCHES
ALL STRIP & PORTABLE WARMERS 12"-72"

EZ HEATING TUBE ASSY

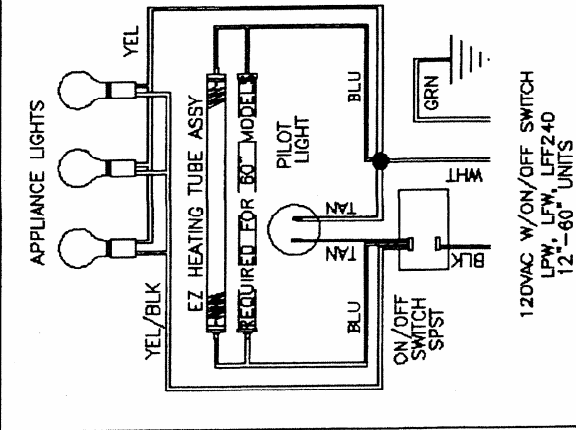
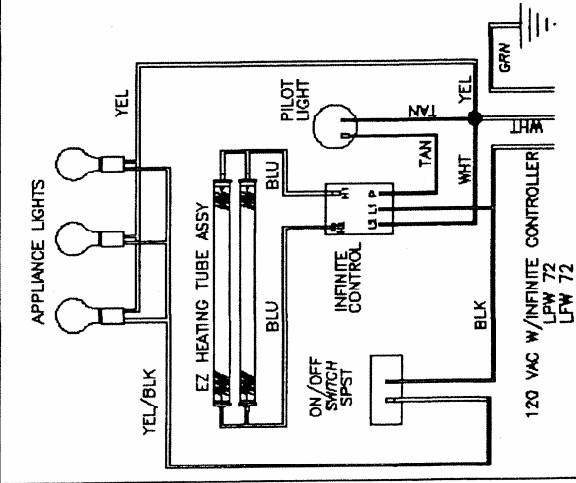
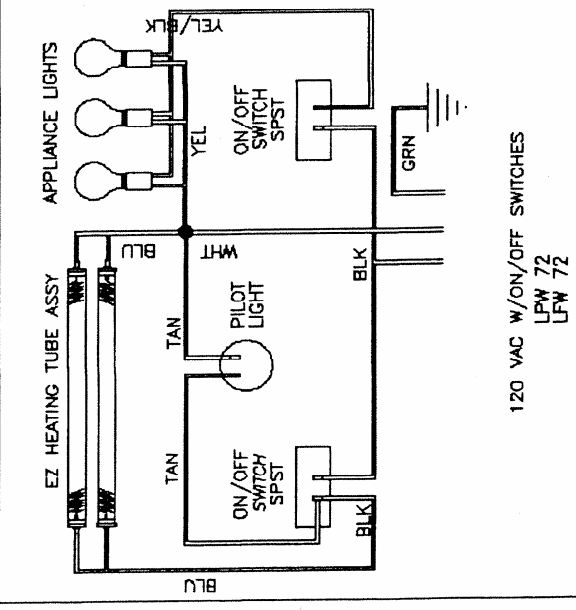
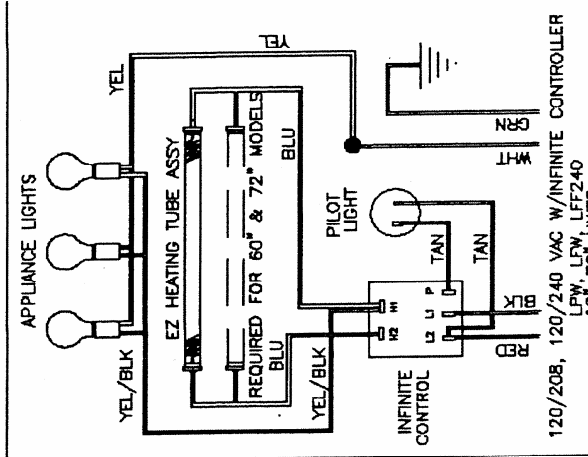
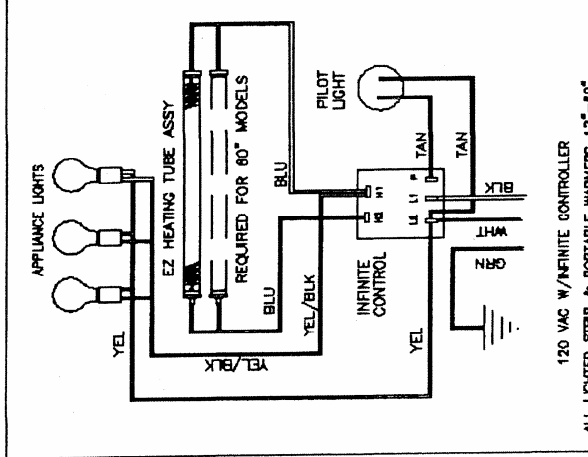
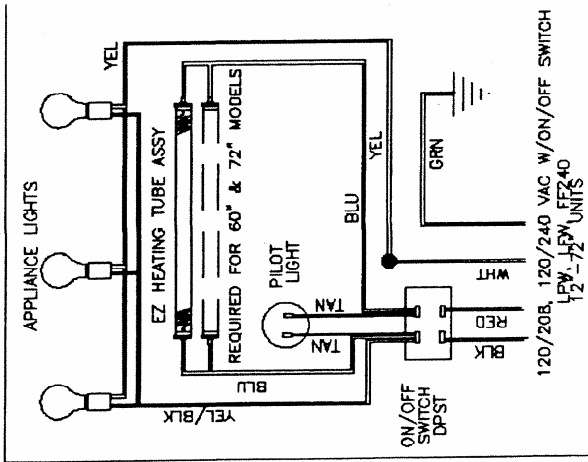


208V & 240V W/INFINITE CONTROLLER
ALL STRIP & PORTABLE WARMERS 12"-72"

EZ HEATING TUBE ASSY



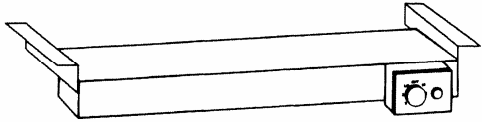
120 VAC W/INFINITE CONTROLLER
ALL STRIP & PORTABLE WARMERS 12"-72"



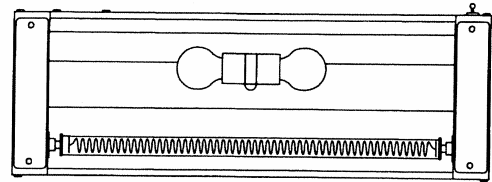
OVERHEAD FOOD WARMERS

EZFW-18X, 24X, 30X, 36X, 48X, 54X, 60X, 72X
EZNW-18X, 24X, 30X, 36X, 48X, 60X, 72X

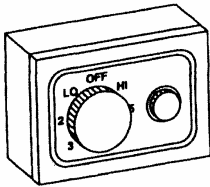
OPTIONS AND ACCESSORIES



Ceiling mount bracket also available in Slimline series.

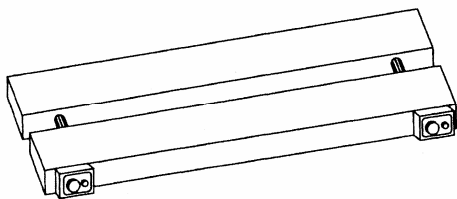


Bright Incandescent Lighting – Show off foods in their best light.

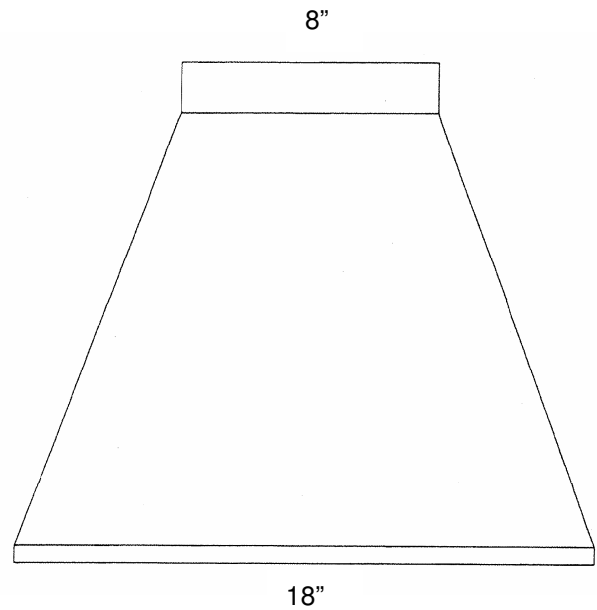


Infinitely Adjustable Heat Controls – “Dial-in” the perfect temperature for any food. Includes pilot light.

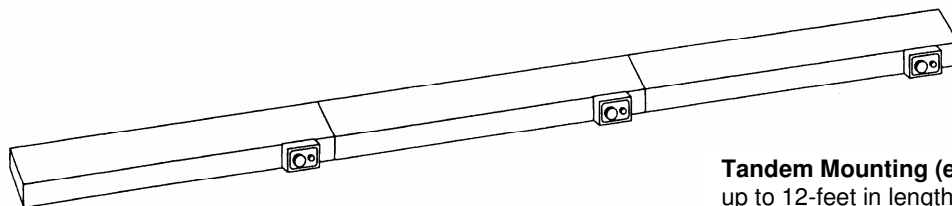
13”



Dual Mounting (side-to-side) – Overhead warming in any width. 4-inch spacing standard.



Extra wide heat pattern



Tandem Mounting (end-to-end) – Overhead warming up to 12-feet in length.

This page intentionally left blank.

This page intentionally left blank.

Merco Savory, LLC - Limited Warranty

Merco equipment is guaranteed to be free from quality problems in material and workmanship for a period of ninety (90) days on labor and one (1) year on parts (excluding appliance lamps and heat tubes) from installation or purchase date.

Savory equipment is guaranteed to be free from quality problems in material and workmanship for a period of one (1) year parts and labor from date of purchase, or eighteen (18) months from date of shipment from factory, whichever comes first.

Warranty beyond standard as follows:

Heat Tubes: One (1) year against burnout (not breakage) from date of purchase of equipment.

Hot Food Server: One (1) year labor, two (2) year parts.

Travel and Mileage

Savory equipment: Travel expenses limited to fifty (50) miles total.

Merco equipment: Labor warranty includes travel time not to exceed two (2) hours and/or mileage not to exceed one hundred (100) miles. Portable equipment – equipment weighing less than ninety (90) pounds must be delivered to the service agency at the owners expense.

Merco Savory, LLC obligation under this warranty shall be to repair or replace, at its option, any part or unit which proves to be non-conforming due to quality problems in material or workmanship during the warranty period. However, we make no warranty, express or implied, of cooking effect or of exact capacity as subjective judgements and product variations may alter evaluation of equipment performance. Warranty service must be provided by an authorized service agency. Shipping damage is not covered by the manufacturer's warranty.

This warranty is limited and supersedes all other warranties, express or implied. Merco Savory, LLC neither assumes nor authorizes any person to assume for Merco Savory, LLC, any other obligation or liability in connection with Merco or Savory equipment. Neither Merco Savory, LLC nor its employees or agents shall be held liable for any claims for personal injuries or consequential damage or loss, howsoever caused.



Merco Savory, LLC
1111 North Hadley Road
Fort Wayne, Indiana 46804
United States of America

Telephone: (260) 459-8200
Facsimile: (260) 436-0735
Service Hotline: (800) 678-9511

www.mercosavory.com