



IMPORTANT FOR FUTURE REFERENCE

Please complete this information and retain this manual for the life of the equipment:

Model #: _____

Serial #: _____

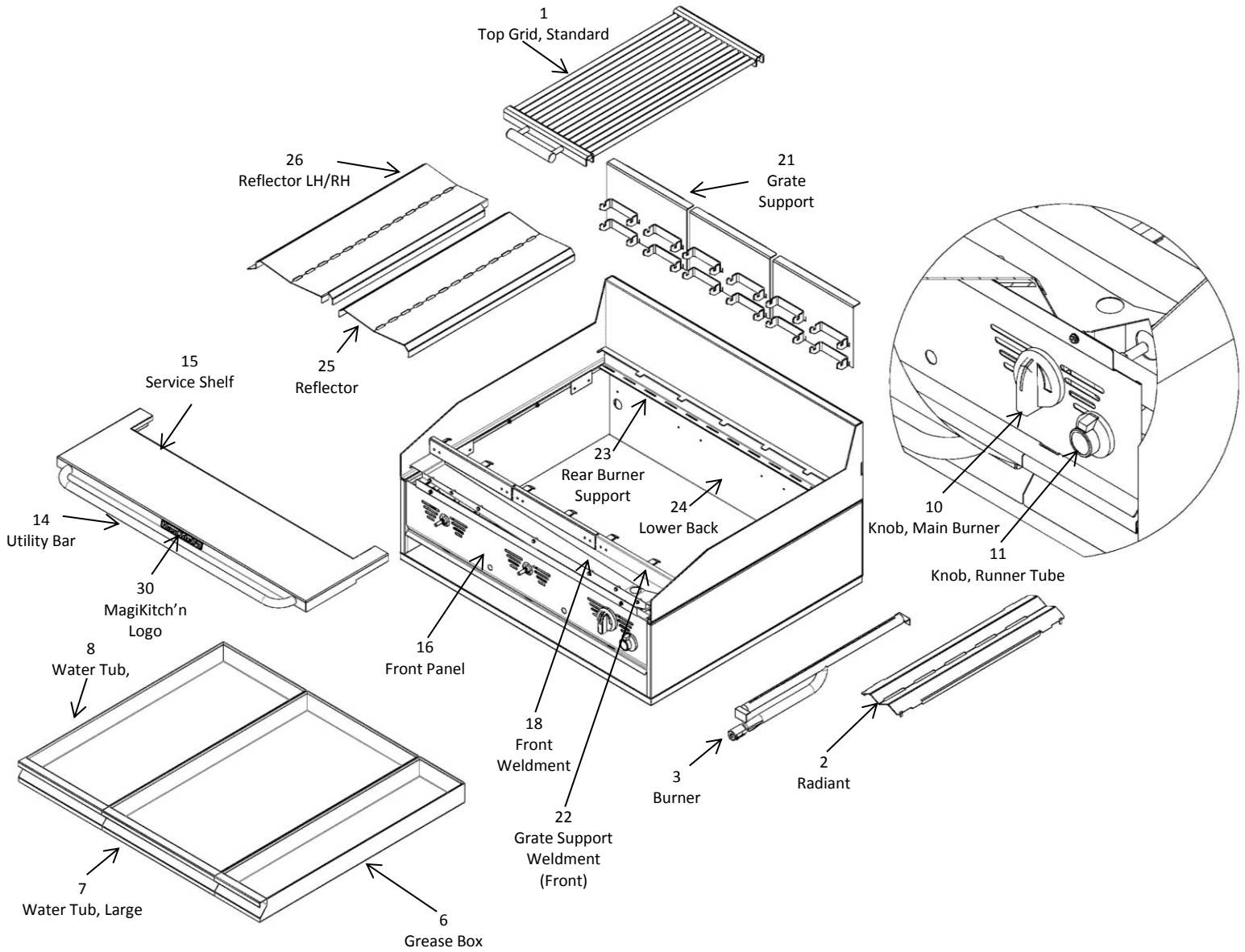
Date Purchased: _____

Exploded Parts Manual

FC: Focus Gas Charbroiler
May 2013



MagiKitch'n®





1. ACCESSORY/PARTS LIST FOR FOCUS SERIES MODELS

Not all parts are illustrated, nor are all parts listed. If you need a part that is not listed here, call MagiKitch'n for a quote. Always have your model and unit serial numbers available when phoning or ordering.

Table 1

Ref. No.	Description	Part Series Number
1	Top Grid/Cast Grid	601813xx/601814xx
2	Radiant	5425-15667xx
3	Burner	601809xx
4	Burner Retaining Clip (Not Shown)	4008-1037700
5	Runner Tube (Not Shown)	601811xx
6-8	Grease Box / Water Tub	5125-15666xx
9	Leg, 4" (Not Shown)	Table 4
10	Knob, Main Burner	3501-1032301
11	Knob, Runner Tube	3501-0983202
12	Scraper Grid/Cast Iron (Not Shown)	Table 4
13	Regulator Nat/LP (Not Shown)	2701-0028200/ 2701-0028300
14	Utility Bar	3610-10345xx
15	Service Shelf	5125-15716xx
16	Front Panel	5425-15711xx
17	Main Manifold Assembly (Not Shown)	601815xx

MagiKitch'n®

18	Front Weldment	5125-15691xx
19	Cabinet Back (Not Shown)	5425-15681xx
20	Back Stiffener (Not Shown)	5425-15682xx
21	Grate Hanger (Rear)	5125-15702xx
22	Grate Support (Front)	5125-15707xx
23	Rear Burner Support	5125-15688xx
24	Lower Back	5425-15680xx
25-26	Reflectors (Mid / (LH/RH))	5425-15668xx
27	Small Manifold	Figure 2
28	Radiant Pin (Not Shown)	3606-1184500
29	Assembly, Pilot Orifice	Figure 3
30	MagiKitch'n LOGO	3806-0063100
31	Plug, Hole (Not Shown)	600270xx

MagiKitch'n®

Small Manifold – P/N - 5225-15698xx

Table 2

Ref. No.	Description	Part Series Number
1	SMALL GAS MANIFOLD	601812xx
2	FITTING, 1-8 NPT X 3-8 -27 UNS	60139501
3-4	ORIFICE,EXTRA LONG	2908-13182xx
5	VALVE,GAS TURN ONLY	2802-1318100
6	WASHER, FLAT .375 SST	60022909
7	FITTING, COMPRESSION ELBOW BRASS .375 TU X .125FNPT	60086403
8	TU,FLEX W/O FTG 8" .375 OD (NOT SHOWN)	60119008

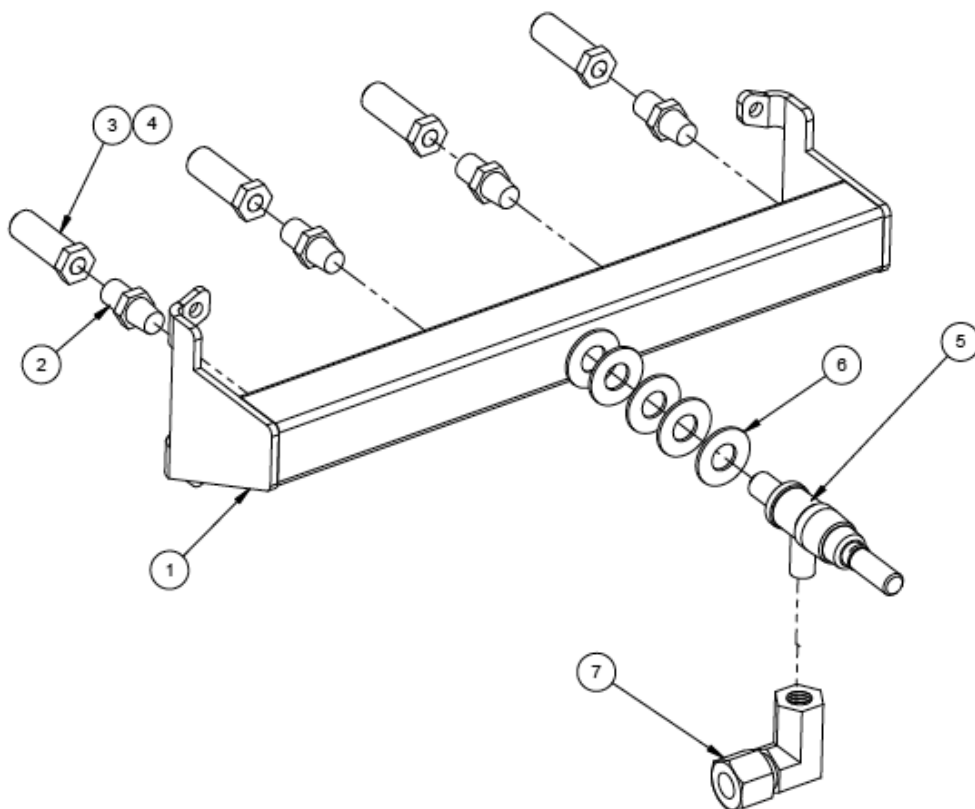


Figure 2 - Small Manifold

MagiKitch'n®

Table 3

Orifice Pilot Assembly

Ref. No.	Description	Part Series Number
1	Flex Tube 6"	60119010
2	Flex Tube 24" *	P9315-33
3	Flex Tube 16" **	P9315-35
4	Flex Tube 18" **	60119011
5	Brass Coupling	2908-1271800
6	Brass Elbow	P7037797
7	Brass Compression Coupling (Not Shown)	60154901
8-9	Orifice, Pilot	2908-09405xx

* Note: P9315-33 used on FC48 and FC60 on 24" manifold side.

** Note: P9315-35 and 60119011 are joined using 60154901 on FC60 and FC72.

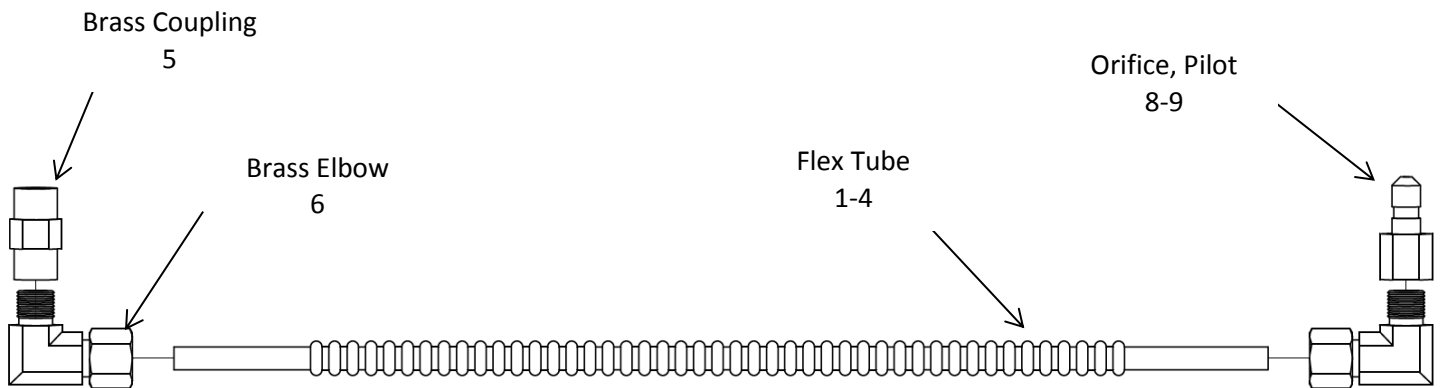


Figure 3 - Pilot Assembly



Accessories

Table 4

Description	Part Series Number
Legs (4") (Standard / Bullet)	601404xx / 7204-0817x00
Scraper (Grid / Cast Iron)	5006-00407xx
Stand	5225-15119xx
Channel Strip	5125-15394xx
Low Profile Knobs	7225-20003xx
Cutout Divider	5403-10843xx
Cutting Boards (24, 36, 48)	9802-0786x01
Cutting Boards (60 and 72)	9820-0785x01
Quick Disconnects (36" or 48")	B80031xx
Quick Disconnects (60" or 72")	3904-0644x00



In the event of problems with or questions about your order, please contact the MagiKitch'n factory at:

(603) 225-6684 World Wide
www.magikitchn.com

In the event of problems with or questions about your equipment, please contact the MagiKitch'n Authorized Service and Parts representative (ASAP) covering your area, or contact MagiKitch'n at the numbers listed to the left.

MAILING ADDRESS – P.O. BOX 501, CONCORD, NH 03302-0501
SHIPPING ADDRESS – 10 FERRY ST., CONCORD, NH 03301