



Manitowoc
Foodservice
Parts Manual

For more Parts Information:
<https://manitowocfsg.sysonline.com/Default.aspx>

TABLE OF CONTENTS

Manitowoc Foodservice [Updated: Sep. 30, 2013]

Manitowoc - Ice & Related

Parts Catalog

Ice Machine

A Series

A2200, AC1195

A2200 - All Components 1

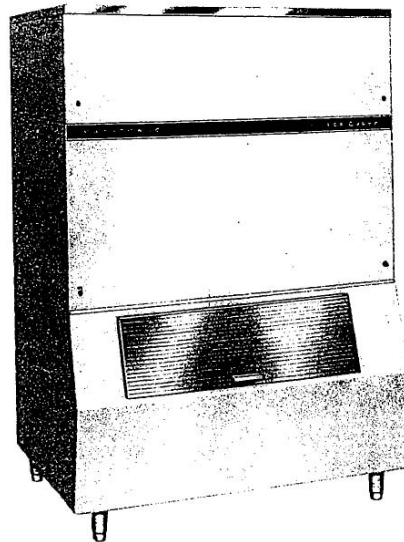
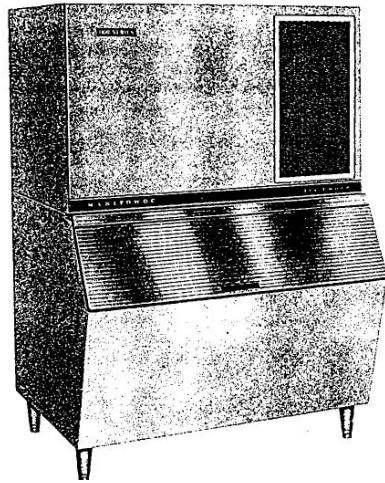
AC1195 - Remote Condenser Components 7

A2200, AC1195

A2200 - ALL COMPONENTS



**AD & AR 1100
& 2200 SERIES ICE CUBER
SERVICE MANUAL**




Manitowoc equipment works

A division of The Manitowoc Company, Inc.

500 South 16th Street, Manitowoc, Wisconsin 54220

80-0033-1

A2200, AC1195

A2200 - ALL COMPONENTS

#	PART #	DESCRIPTION	QTY	Note
		COMPRESSOR CONDENSER GROUP		
		Bristol Compressor		[1]
	2010143	Run Capacitor - 115V/60 Hz/1 Ph		
	8503643	Start Capacitor		[2]
		Start Relay		[1]
		Tecumseh Compressor -- Single Phase		[3]
		Start Relay		[1]
	8503143	Start Capacitor - 115V/60 Hz/1 Ph		[4]
		Run Capacitor		[1]
		Start Capacitor End Cap		[1]
		Capacitor Strap		[1]
	8503069	Mounting - Rubber Grommet		[4]
		Copelaweld Compressor		
	8503163	Start Capacitor		[5]
		Run Capacitor		[1]
	1502831	Start Relay		
		Compressor, 3 Phase		[1]
		3 Phase Contactor		[1]
		3 Phase Contactor with Auxiliary Switch		[6]
	8930279	Drier		[4]
	8372033	Water Regulator		[7]
		Condenser Water-cooled		[8]
		Condenser Water-cooled		[9]
	1200221	Receiver		[10]
	000008892	Receiver		[11]
		Receiver After SN 840761150		[1]
		Condenser		[12]
		Condenser Assembly		[13]
		Access Service Valve 2High and Low Side		[6]
		Fan Motor		[14]
		Fan Motor Bracket		[1]
	2401891	Fan Blade		
		Suction Valve Seal		[15]
		Discharge Valve Only		[1]
	1502781	Seal for Suction Service Valve		
	1373021	Service Valve		[16]
		CONTROL GROUP		
	2300849	Main Toggle Switch		[4]
		Manual Harvest Switch		[17]
	2300799	Damper Door Switch		[4]
		Thermo-disc		[18]
		Low Pressure Cut-in		[19]

A2200, AC1195

A2200 - ALL COMPONENTS

#	PART #	DESCRIPTION	QTY	Note
	2355081	High and Low Pressure Cut-out		[20]
	2355113	High Pressure Cut-out		[21]
		Expansion Valve with Sweat Fittings		[1]
		Paragon Timer		[22]
	2406071	15 Minute Timer		[23]
		Mounting Track, Solid State Timer		[1]
	2406239	Omnetics Timer SIN 23188 to 23687		[4]
		Time Delay Relay		[24]
		Solenoid Valve Complete		[25]
		Solenoid Valve Body Sporlan		[25]
		Solenoid Valve Coil Sporlan		[25]
		Solenoid Coil Only		[26]
	2404483	Alco Solenoid Valve Coil Only - 230V/50 Hz		[27]
		Fan Cycling Switch		[1]
		Control Panel Front Cover		[28]
		Control Panel Front Cover		[6]
	2410041	Single Phase Contactor		[29]
		Contactors with Quick Connect Terminals		[1]
		Terminal Board		[1]
		EVAPORATOR ASSEMBLY GROUP		
	6803019	Outside Evaporator Assembly		[30]
	6803029	Inside Evaporator Assembly		[31]
		Outside Evaporator Assembly		[32]
		Inside Evaporator Assembly		[32]
	6803119	Outside Evaporator Assembly		[33]
	6803129	Inside Evaporator Assembly		[33]
	151771	Evaporator Top Grid Extrusion		[4]
		Evaporator Bottom Grid Extrusion		[1]
	6260014	Evaporator Extrusion, Left Side		[4]
	6061614	Distribution Tube Support		[34]
	6260024	Evaporator Extrusion, Right Side		[4]
	113091	Top Extrusion Filler		[35]
		WATER CIRCUIT GROUP		
		Water Distribution Tube Assembly		[1]
		Water Supply Tube 1-3/8" OD		[36]
		Water Inlet Tube 1-3/8" OD		[37]
		90° PVC Elbow		[38]
		Water Sump Trough Assembly		[1]
		Sump Hold Down Clip		[1]
		Water Curtain		[1]
	1480279	Water Pump - 208-230V/50-60 Hz		[4]
		Mounting Bracket		[39]
		Water Pump Top Cover		[1]

A2200, AC1195

A2200 - ALL COMPONENTS

#	PART #	DESCRIPTION	QTY	Note
	8369049	Float Valve Assembly		[4]
		Float Valve Bracket		[1]
	1260033	Water Strainer		[4]
		Harvest Rack Assembly		[1]
	6239214	Harvest Rack Spacer		
	5000013	Thumbscrew - #8-32 x 0.375"		[4]
		Overflow Elbow		[1]
	301101	Water Inlet Assembly, 1/2" NPT		
	4420291	Vinyl Tube - 0.25" OD		[40]
	4420309	Nylon Insert		[41]
		Thumbscrew Distribution Tube End Plug		[1]
		ICE CHUTE GROUP		
		Center Ice Chute Assembly		[1]
		Left Hand and Right Hand Ice Chute Assembly		[42]
	6526324	Left Hand and Right Hand Ice Chute Assembly		[43]
		Left Hand and Right Hand Ice Chute Assembly		[44]
		Damper Door Assembly, Ice Chute		[1]
	5000013	Thumbscrew - #8-32 x 0.375"		[45]
		Ice Chute Holding Clip		[1]
		CABINET GROUP UP TO SN 12216		[46]
		CABINET GROUP STARTING WITH SN 12217		[46]
		REMOTE AR2290N, AD2292N, & AY2294N CUBER		[47]
		Head Pressure Control Valve		[1]
		Headmaster Relocation Package		[48]
		Receiver (16 lb) Use Up to SN AH5200		[1]
		Receiver After SN AH5200		[1]
		Low Pressure Cut-out		[1]
	2355113	High Pressure Cut-out		[2]
	2404121	Solenoid Valve Coil		[49]
	2404071	Solenoid Valve		[50]
		Solenoid Valve Assembly		[51]
		Solenoid Coil Only Sporlan MKC15		[52]
		Solenoid Coil Only Sporlan MKC25		[1]
	2404483	Alco Solenoid Valve Coil Only - 230V/50 Hz		[27]
		Thermo-disc		[1]
		Accumulator -- Replaced with HPR Kit		[1]
		50 CYCLE MODELS ONLY		[47]
		Compressor		[1]
		Components for Copeland Compressor:		
		Start Relay		[1]
		Run Capacitor		[1]
	8504223	Start Capacitor		[4]
		Components for Tecumseh Compressor:		

A2200, AC1195

A2200 - ALL COMPONENTS

#	PART #	DESCRIPTION	QTY	Note
		Start Relay		[1]
	8503143	Start Capacitor - 115V/60 Hz/1 Ph		[4]
		Run Capacitor		[1]
	1480279	Water Pump - 208-230V/50-60 Hz		[4]
	2412141	Fan Motor		
		STAINLESS STEEL PANELS		
		Lower Rear		[1]
		Upper Rear		[53]
		Upper Rear		[54]
		Upper Front		[1]
		Lower Front		[1]
		Lower Side		[55]
		Upper Right Hand Side		[1]
		Upper Left Hand Side		[1]
		Top Cover Panel		[1]

PART NOTES:

- [1] - No Longer Available
- [2] - Discontinued
- [3] - (AH751A)
- [4] - Refer to Cross Reference Guide
- [5] - Refer to Cross Reference Guide
Discontinued
- [6] - No Longer Available(Starting with SN 012217)
- [7] - (Water-cooled only -- Penn)Refer to Cross Reference Guide
Discontinued
- [8] - No Longer Available(Up to SN 003467) Edwards
- [9] - No Longer Available(Starting with SN 003467) Pack-less
- [10] - (Water-cooled units only)Refer to Cross Reference Guide
- [11] - (Air-cooled units only) Used Up to SN 012216
- [12] - No Longer Available(Air-cooled)
- [13] - No Longer Available(Starting with SN 003467)
- [14] - No Longer Available(Upper and lower)
- [15] - No Longer Available(Copeland and Tecumseh compressors)
- [16] - (Service) Used up to SN 012216Refer to Cross Reference Guide
- [17] - No Longer Available(Starting with SN 014322)
- [18] - No Longer Available(Used on standard models only)
- [19] - No Longer Available(Ranco)
- [20] - (Ranco dual) Use up to SN 012216
- [21] - (Water-cooled only)(Starting with SN 012217)
Discontinued
- [22] - No Longer Available(60 second) Used up to SN 006446
- [23] - (15 minute) Used up to SN 006446
- [24] - No Longer Available(70 second delay) (Starting with SN 006447)
- [25] - No Longer Available(Hot Gas)
- [26] - No Longer Available(Hot Gas) (Starting with SN AB0100)Sporlan

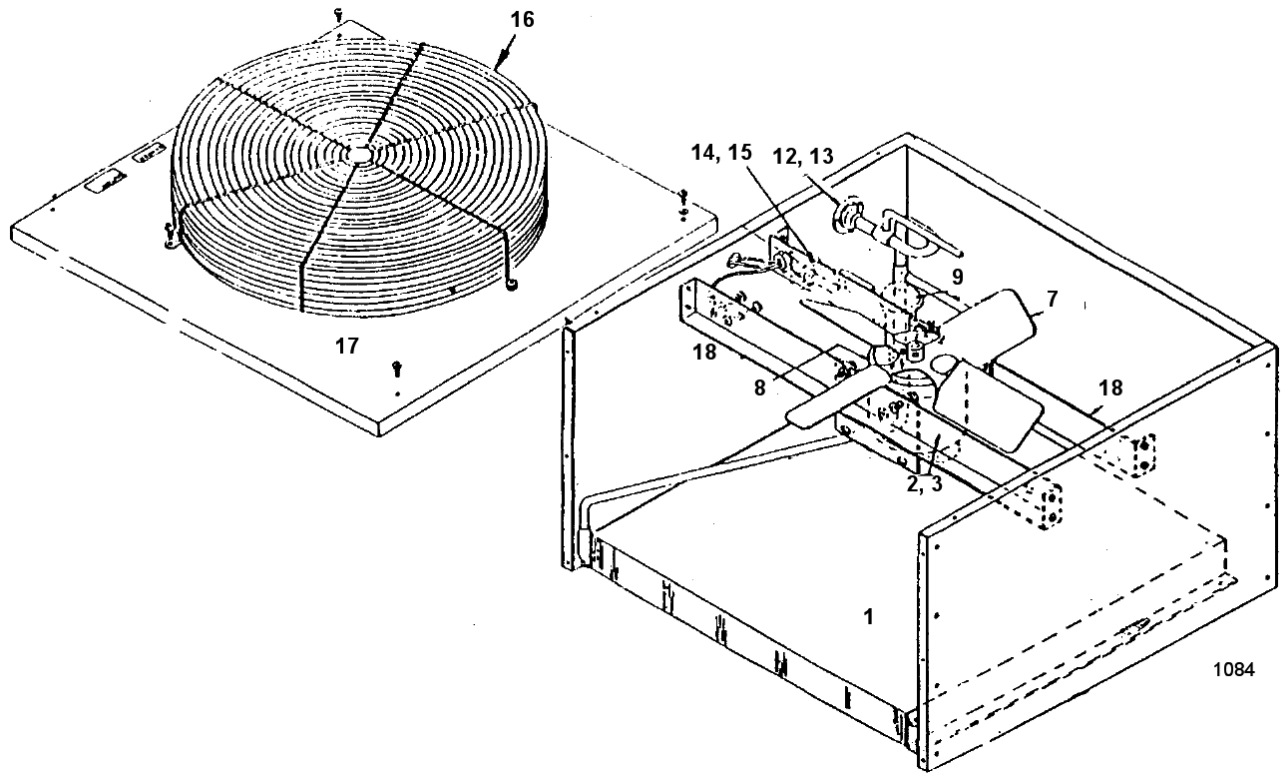
A2200, AC1195

A2200 - ALL COMPONENTS

#	PART #	DESCRIPTION	QTY	Note
PART NOTES:				
[27]		- (Alco)Refer to Cross Reference Guide		
[28]		- No Longer AvailableUsed up to SN 012216		
[29]		- (Starting with SN 012217)(Eyelet connection)		
[30]		- (Dice) (Right side tubing)Refer to Cross Reference Guide		
[31]		- (Dice) (Left side tubing)Refer to Cross Reference Guide		
[32]		- No Longer Available(Regular)		
[33]		- (Half dice)Refer to Cross Reference Guide		
[34]		- (White cycolac half-moon shape)		
[35]		- (White cycolac strip)		
[36]		- No Longer Available(From water pump to distribution tube)		
[37]		- No Longer Available(From 90° elbow to distribution tube)		
[38]		- No Longer Available(For water supply tubing to distribution)		
[39]		- (For water pump)No Longer Available		
[40]		- (1/4" OD polyethylene tube)		
[41]		- (Supply tubing float valve end)Refer to Cross Reference Guide		
[42]		- (Up to SN 12216)No Longer Available		
[43]		- (Starting with SN 12217)		
[44]		- (With bushing)No Longer Available		
[45]		- (Mounting ice chute to base)Refer to Cross Reference Guide		
[46]		- (No Parts Available)		
[47]		- Use the same parts as previously listed for standard 2200 with the above exceptions.		
[48]		- No Longer Available(2 packages are needed)		
[49]		- (Liquid pump down)(Up to SN AB0100) Sporlan		
[50]		- (Liquid pump down)(Up to SN AB0100)Refer to Cross Reference Guide		
[51]		- No Longer Available(Liquid pump down)(Starting with SN AB0100)		
[52]		- No Longer Available(Liquid pump down)(Starting with SN AB0100)		
[53]		- No Longer Available(Remote)		
[54]		- No Longer Available(Air and water)		
[55]		- No Longer Available(Right or left)		

A2200, AC1195

AC1195 - REMOTE CONDENSER COMPONENTS



A2200, AC1195

AC1195 - REMOTE CONDENSER COMPONENTS

#	PART #	DESCRIPTION	QTY	Note
1	8850629	Air Condenser		[1]
2	7629413	Fan Motor - 208-230V/50-60 Hz/1 Ph		[2]
3	7629413	Fan Motor - 208-230V/50-60 Hz/1 Ph		[2]
4	8503353	Run Capacitor		[3]
4		Fan Capacitor For Dual Bracket Fan Motor		[4]
5		Fan Capacitor For Single Bracket Fan Motor		[5]
6		Fan Blade For Single Bracket Fan Motor		[5]
7	2416113	Fan Blade		
8	2415053	Rain Slinger		
9	8368049	Headmaster Control		[6]
10		Toggle Switch		[7]
11		Toggle Switch After SN 82020001		[5]
12	8360353	Coupling - Male - 1-1/6-12		[1]
13	8360063	Coupling Mounting Flange for 1-1/16-12		
14	8360343	Coupling - Male - 5/8-18		[1]
15	8360053	Coupling Mounting Flange for 5/8-18		
16	3400643	Fan Guard		
17	6017751	Top Cover		[1]
18	6017681	Fan Motor Mounting Bracket		[1]
19	0700623	Female Coupling Kit		[8]
20		Valve Access Fitting Core		[5]
21		Headmaster Relocation Kit		[9]
		AC1195A REMOTE CONDENSER S/N 005522 TO 006715 ONLY		
		Fan Motor (2 per)		[5]
	2401891	Fan Blade		
		Fan Motor Grill & Bracket (2 per)		[5]

PART NOTES:

- [1] - Refer to Cross Reference Guide
- [2] - Refer to Cross Reference Guide if unit has a fan motor mounted on a single bracket, use replacement kit #7619843 for 60 Hz unit. This kit includes new fan motor, capacitor, blades, dual brackets and all necessary hardware for installation.
- [3] - (Emerson)
- [4] - No Longer Available(Magnatec)
- [5] - No Longer Available
- [6] - Refer to Cross Reference Guide(See item 21 below)
- [7] - No Longer Available(Up to SN 82020001)
- [8] - (Not shown)
- [9] - (Used for units originally built with headmaster in ice machine to relocate to condenser)