



***Manitowoc***  
Foodservice  
**Parts Manual**

For more Parts Information:  
<https://manitowocfsg.sysonline.com/Default.aspx>

# TABLE OF CONTENTS

Manitowoc Foodservice [Updated: Sep. 30, 2013]

Manitowoc - Ice & Related

Parts Catalog

Ice Machine

B Series

B0150

B0150 - Control Box Components ..... 1

B0150 - Evaporator Compartment - Common Components ..... 4

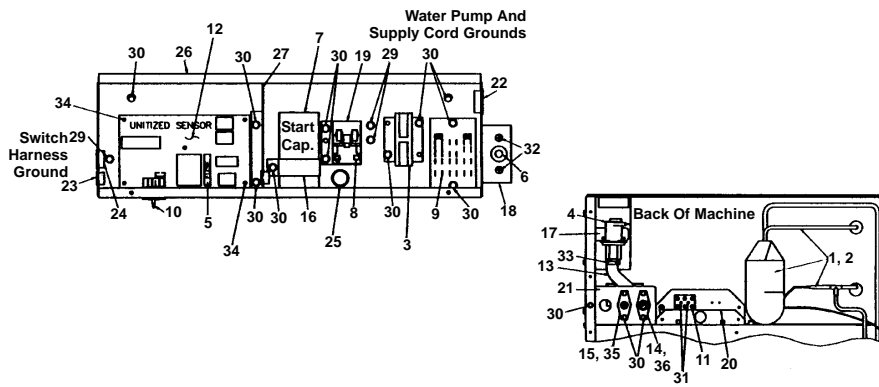
B0150 - Refrigeration Compartment - Common Components ..... 6

B0150 - Panels ..... 8

B0150 - Electrical Applications ..... 10

# B0150

## B0150 - CONTROL BOX COMPONENTS



# B0150

## B0150 - CONTROL BOX COMPONENTS

#	PART #	DESCRIPTION	QTY	Note
1		Capillary Tube Assembly, Air-cooled		[1]
2	7625953	Capillary Tube Assembly, Water-cooled		[2]
3	2006589	Contactator - 115V/60 Hz/1 Ph		
4	000001767	Water Dump Valve - 115V/60 Hz		
5	2511003	7 Amp Fuse - Mounted on Control Board		
5a	2511169	0.125 Amp 60 Hz Mini Fuse		[3]
6	2355369	High Pressure Cut-out Control		
7	8503713	Start Capacitor		
8	8503743	Start Relay		
9		Terminal Board With Wiring Harness		[1]
10	2031059	Toggle Switch With Wiring Harness Attached		
10a	2301343	Toggle Switch Only		
11		Terminal Block, 230V		[1]
12	7628003	Control Board		[4]
13		Vinyl Tube, Molded		[1]
14	1706021	Water Adapter, 1/2" NPT		
15	8706093	Female Wing Adapter - 0.375"		
16		Bracket, Capacitor		[1]
17	6260314	Dump Valve Mounting Bracket		
18		Bracket, High Pressure Control		[1]
19		Bracket, Relay Mounting		[1]
20		Bracket, Terminal Block, 230V		[1]
21		Bracket, Water Fittings		[1]
22	2500019	Bushing - 1.187"		
23	2500169	Bushing - 0.91" OD x 0.44" ID		
24	2502189	Bushing - 0.625"		
25	2501409	Bushing - 0.875"		
26		Control Box		[1]
27		Control Board Shield		[1]
28		Control Box Cover		[5]
29	5202109	Screw - #10-24 x 0.375"		
30	5202069	Screw - #10-24 x 0.50" HEX		
31	5121559	Screw - #6 x 0.75"		[2]
32	5121669	Screw - #8-32 x 0.50"		
33	5650709	Snap Clamp - 0.799"/0.899" ID		
34	4302253	Control Board Mounting Supports		
35	1360961	Male Connector		[6]
36	5650609	Snap Clamp - 1.0" ID		

### PART NOTES:

- [1] - No Longer Available
- [2] - Discontinued
- [3] - See Page 6 for 230/60 or 230/50 Applications

# B0150

## B0150 - CONTROL BOX COMPONENTS

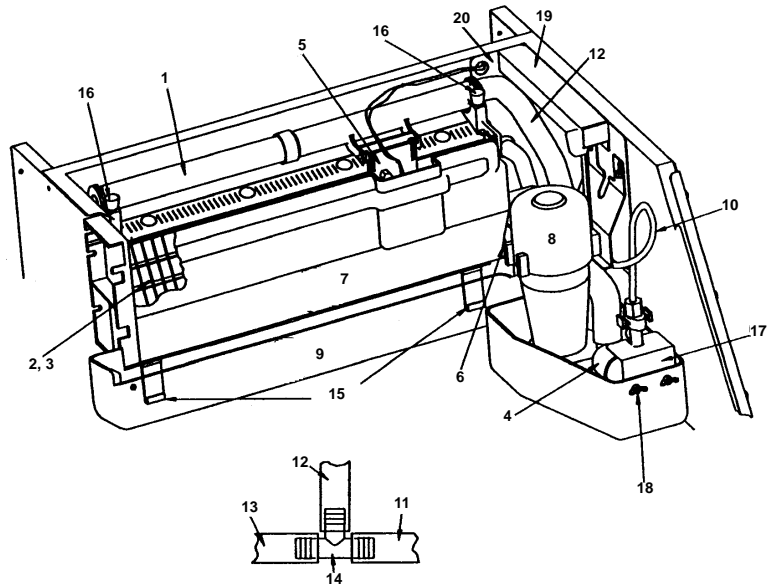
#	PART #	DESCRIPTION	QTY	Note
---	--------	-------------	-----	------

**PART NOTES:**

- [4] - (For use with all voltages)
- [5] - No Longer Available(Not shown)
- [6] - (Plastic)

# B0150

## B0150 - EVAPORATOR COMPARTMENT - COMMON COMPONENTS



# B0150

## B0150 - EVAPORATOR COMPARTMENT - COMMON COMPONENTS

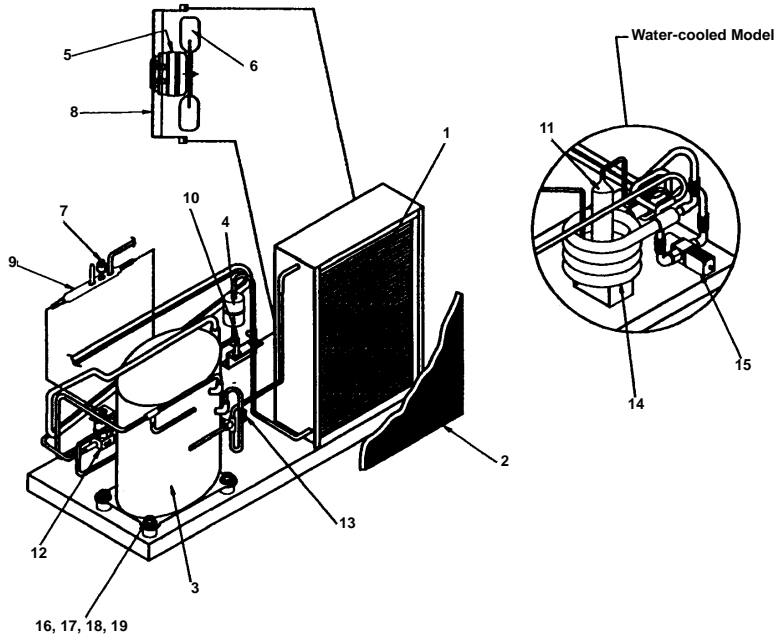
#	PART #	DESCRIPTION	QTY	Note
1	7624983	Water Distribution Tube - B/J/Q		
2		Evaporator, Regular Cube		[1]
3		Evaporator, Dice Cube		[1]
3a		Evaporator, Half Dice		[1]
4	8369049	Float Valve Assembly		
5	7627813	Ice Thickness Control Probe		
6	2301483	Magnetic Bin Switch		
7	6007511	Water Curtain		
7a	7627763	Water Curtain Pin Assembly		
7b	7628023	Water Curtain Magnet and Cap		
8	7623063	Water Pump - 115V/60 Hz		[2]
9		Water Trough		[1]
10	4420291	Vinyl Tube - 0.25" OD		
11	4420383	Clear Tubing - 0.625" ID		
12	4421043	Molded Discharge Tube		
13	4421013	Tubing - Vinyl 0.625" ID		
14	8391033	Barbed Tee		[3]
15	4408703	Clip Water Trough		[4]
15a		Bracket For Water Trough		[5]
16	5000013	Thumbscrew - #8-32 x 0.375"		
17	000000136	Float Valve Bracket		
18	5489139	Wing Nuts #8-32		
19		Channel, Pump Cord		[1]
20		Shield, Liner		[1]
21	7626213	Evaporator Top Molding and Gasket Assembly		[6]

### PART NOTES:

- [1] - No Longer Available
- [2] - See Page 6 for 230/60 or 230/50 Applications
- [3] - Discontinued
- [4] - (Plastic)
- [5] - No Longer Available(Metal)
- [6] - (Not shown)

# B0150

## B0150 - REFRIGERATION COMPARTMENT - COMMON COMPONENTS





# B0150

## B0150 - REFRIGERATION COMPARTMENT - COMMON COMPONENTS

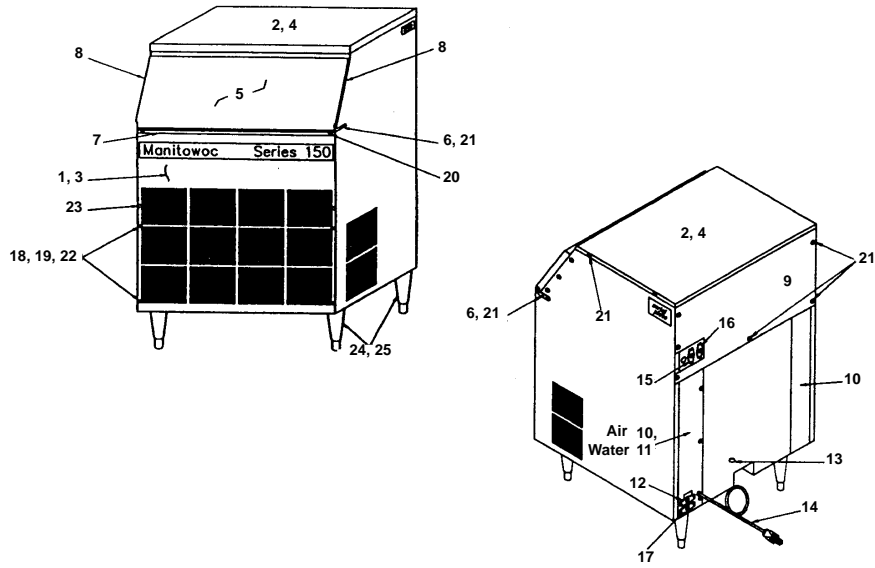
#	PART #	DESCRIPTION	QTY	Note
1		Air Condenser		[1]
2	4040093	Air EZK Filter		
3		Compressor, 115V		[2]
3a	8504793	Overload		[3]
4	8930259	Drier		
5	2412873	Fan Motor - 115V/60 Hz		[4]
6	2416243	Fan Blade		
7	2001263	Fan Cycling Control - 200-250 psig		[5]
8		Fan Motor Bracket		[1]
9	8310163	Manifold Strainer		
10	8373109	Process Valve		
11	000008892	Receiver		
12	7630001	Solenoid Valve with Electrical Coil - 115V/60 Hz		[6]
13	2351163	Thermistor		
14	8865227	Water Condenser		
15	8372103	Water Regulating Valve		
16	8503069	Mounting - Rubber Grommet		
17	8503949	Mounting - Sleeve		
18	5573099	Mounting - Flatwasher		
19	5430029	Nut		[7]

### PART NOTES:

- [1] - No Longer Available
- [2] - No Longer Available See Page 6 for 230/60 or 230/50 Applications
- [3] - (Not shown)
- [4] - See Page 6 for 230/60 or 230/50 Applications
- [5] - \pages from 200126\_09.jpg" width=150 height=306>
- [6] - (Danfoss) See Page 6 for 230/60 or 230/50 Applications
- [7] - Discontinued

# B0150

## B0150 - PANELS



# B0150

## B0150 - PANELS

#	PART #	DESCRIPTION	QTY	Note
		FAWN		
1		Front Panel Assembly		[1]
2		Top Cover		[1]
		STAINLESS STEEL		
3		Front Panel Assembly		[1]
4		Top Cover		[1]
		COMMON		
5	7624453	Bin Door, Black Plastic		
6	7624413	Hinges for Black Plastic Door		
7		Door Opening Trim		[1]
8		Trim, Liner Sides		[1]
9		Panel, Top Back		[1]
10		Cover, Channel		[1]
11		Cover, Channel, Water-cooled Units		[1]
12		Cover, Water Fittings		[1]
13	7623223	Drain Seal Replacement Kit		
14	2030673	6' Power Supply Cord - 115V		
15	8706093	Female Wing Adapter - 0.375"		
16	1706021	Water Adapter, 1/2" NPT		
17	8706103	Female Wing Adapter - 0.50"		
18	5026249	Mounting Screw - #8-32 x 0.50" PHIL		
19	5429109	Cage Nut to Mount Front Panel		
20		Screw, #8-15 x 0.50		[1]
21	5202069	Screw - #10-24 x 0.50" HEX		
22	5573389	Washer - Nylon 0.171" x 0.38"		
23	4300049	Rubber Bumper		[2]
24	3302494	Screw in Legs		
25	3302513	Legs - Stainless Steel Machine		[2]

### PART NOTES:

- [1] - No Longer Available
- [2] - Discontinued

**B0150**

**B0150 - ELECTRICAL APPLICATIONS**

# B0150

## B0150 - ELECTRICAL APPLICATIONS

#	PART #	DESCRIPTION	QTY	Note
		All parts are the same as 115V Model with the following exceptions:		
		230V/50 Hz		
		Compressor		[1]
	8503723	Start Capacitor - 208-230V/50-60 Hz/1 Ph		
		Start Relay		[1]
		Overload		[1]
	2511003	7 Amp Fuse - Mounted on Control Board		
	2511053	0.100 Amp 50 Hz Mini Fuse		[2]
	2412883	Fan Motor - 230V/50-60 Hz		[2]
	7626013	Water Pump - 230V/50-60 Hz		
	000001768	Water Dump Valve - 208-230V/50-60 Hz		
	7628783	Terminal Bock		
	2006599	Contactora - 230V/50-60 Hz/1 Ph		
	7630061	Solenoid Valve with Coil - 208-230V/50-60 Hz		[3]
		230V/60 Hz		
		Compressor		[1]
	8503723	Start Capacitor - 208-230V/50-60 Hz/1 Ph		
		Start Relay		[1]
		Overload		[1]
	2412883	Fan Motor - 230V/50-60 Hz		[2]
	2511003	7 Amp Fuse - Mounted on Control Board		
	2511163	Mini-fuse for Control Board, 0.125 Amp		
	7626013	Water Pump - 230V/50-60 Hz		
	000001768	Water Dump Valve - 208-230V/50-60 Hz		
	2006599	Contactora - 230V/50-60 Hz/1 Ph		
	7630061	Solenoid Valve with Coil - 208-230V/50-60 Hz		[3]

### PART NOTES:

- [1] - No Longer Available
- [2] - Discontinued
- [3] - (Danfoss)