



Manitowoc
Foodservice
Parts Manual

For more Parts Information:
<https://manitowocfsg.sysonline.com/Default.aspx>

TABLE OF CONTENTS

Manitowoc Foodservice [Updated: Sep. 30, 2013]

Manitowoc - Ice & Related

Parts Catalog

Ice Machine

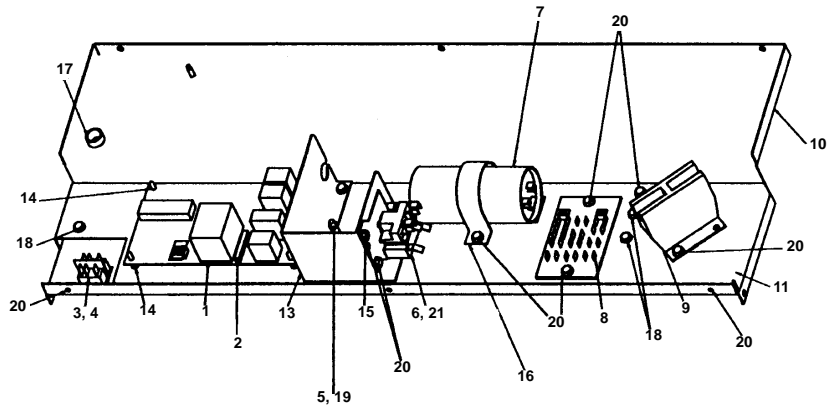
B Series

B0200

B0200 - Control Box Components	1
B0200 - Evaporator Compartment - Common Components	3
B0200 - Refrigeration Compartment - Common Components	5
B0200 - Refrigeration Compartment - Air-cooled Components	7
B0200 - Refrigeration Compartment - Water-cooled Components	9
B0200 - Panels	11
B0200 - Electrical Applications	13

B0200

B0200 - CONTROL BOX COMPONENTS



B0200

B0200 - CONTROL BOX COMPONENTS

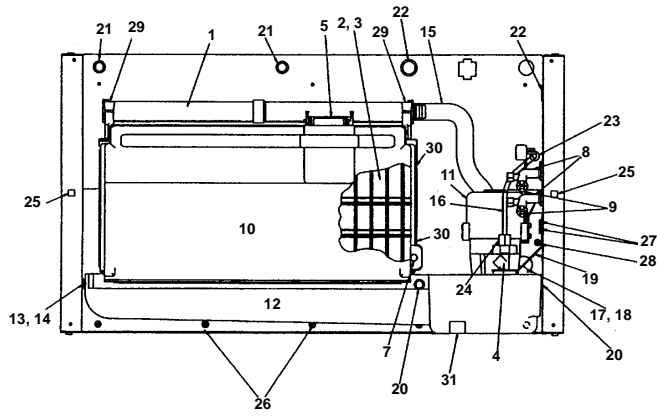
#	PART #	DESCRIPTION	QTY	Note
1	7628003	Control Board		[1]
2	2511003	7 Amp Fuse - Mounted on Control Board		
2a	2511169	0.125 Amp 60 Hz Mini Fuse		[2]
3	2301343	Toggle Switch Only		
4	2031059	Toggle Switch With Wiring Harness Attached		
5	2355369	High Pressure Cut-out Control		
6	8503743	Start Relay		
7	8503713	Start Capacitor		
8		Terminal Board With Wiring Harness		[3]
9	2006589	Contactator - 115V/60 Hz/1 Ph		[2]
10		Control Box Base		[3]
11		Control Box Panel		[3]
12		Control Box Cover		[4]
13		Shield for Control Board		[3]
14	4302253	Control Board Mounting Supports		
15		Bracket for Mounting Relay		[3]
16		Bracket for Capacitor		[3]
17	2500169	Bushing - 0.91" OD x 0.44" ID		
18	5202169	Screw - #10-24 x 0.50" Ground		
19	5121669	Screw - #8-32 x 0.50"		
20	5202069	Screw - #10-24 x 0.50" HEX		
21		Screw, #8-32 x 1/4"		[3]

PART NOTES:

- [1] - (For use with all voltages)
- [2] - See Page 8 for 230V Applications
- [3] - No Longer Available
- [4] - No Longer AvailableNot Shown

B0200

B0200 - EVAPORATOR COMPARTMENT - COMMON COMPONENTS



B0200

B0200 - EVAPORATOR COMPARTMENT - COMMON COMPONENTS

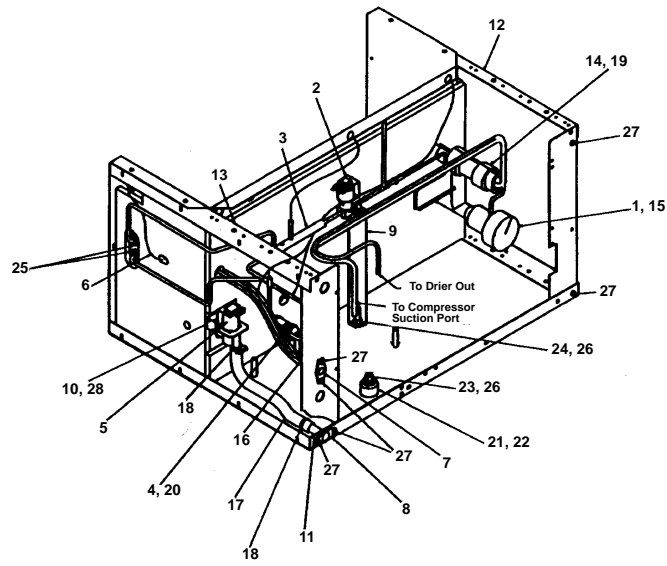
#	PART #	DESCRIPTION	QTY	Note
1	7624983	Water Distribution Tube - B/J/Q		
2	7625859	Evaporator - Regular Cube		
3	7625849	Evaporator - Dice Cube		
3a	7626589	Evaporator - Half Dice Cube		
4	8369049	Float Valve Assembly		
5	7627813	Ice Thickness Control Probe		
6		Ice Thickness Control Adjustment Screw		[1]
7	2301483	Magnetic Bin Switch		
8	8373109	Process Valve		
9		Stem Assembly only		[1]
10	4004783	Water Curtain		
10a	7627763	Water Curtain Pin Assembly		
10b	7628023	Water Curtain Magnet and Cap		
11	7623063	Water Pump - 115V/60 Hz		
12	7627483	Water Trough		
13	4302019	Water Trough Support Pin		
14	5429459	Water Trough Support Pin Nylon Hex Nut		
15	4420963	Molded Discharge Tube		[2]
16	4420291	Vinyl Tube - 0.25" OD		
17	4300573	Reducing Tee		
18	8390053	Union Connector		[3]
19	7621403	Bracket		
20	5012279	Thumbscrew - Push-in		
20a	5650853	Receptacle		
20b	5650863	Wing Nut		
21	2502189	Bushing - 0.625"		
22	2501409	Bushing - 0.875"		
23	2500119	Bushing for 0.25" Tube		
24	5650729	Compression Nut		
25	5429109	Cage Nut to Mount Front Panel		
26	5202079	Self Tapping Screw - 10-24 x 0.625"		[2]
27	5202069	Screw - #10-24 x 0.50" HEX		
28	5202059	Screw		[4]
29	5000013	Thumbscrew - #8-32 x 0.375"		
30	5202189	Screw - #10-24 x 0.75"		
31	7627043	Water Trough Support Clip		
32	7626213	Evaporator Top Molding and Gasket Assembly		[5]

PART NOTES:

- [1] - No Longer Available
- [2] - Discontinued
- [3] - (White nylon)
- [4] - (To mount dump valve)
- [5] - (Not shown)

B0200

B0200 - REFRIGERATION COMPARTMENT - COMMON COMPONENTS



B0200

B0200 - REFRIGERATION COMPARTMENT - COMMON COMPONENTS

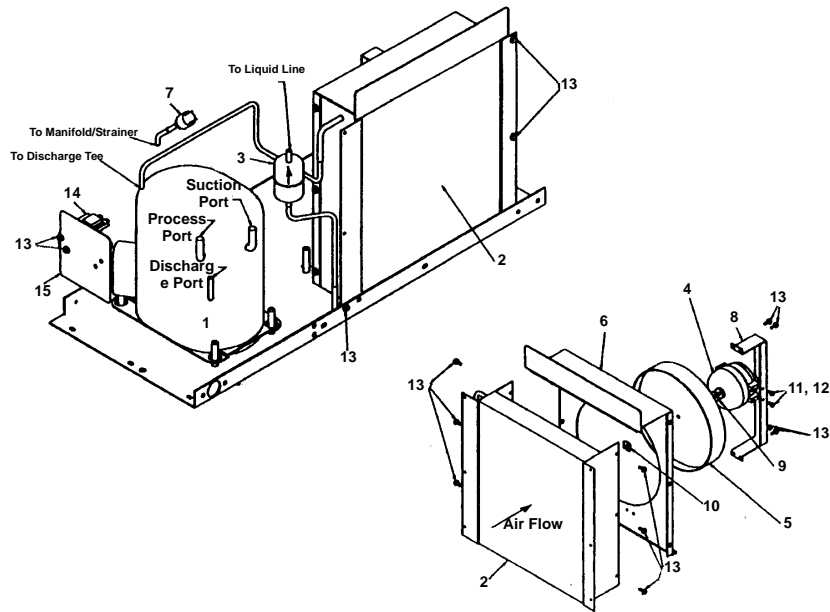
#	PART #	DESCRIPTION	QTY	Note
1	7625833	Expansion Valve		
2	7630011	Danfoss Solenoid Valve With Coil - 115V/60 Hz		[1]
3	8310163	Manifold Strainer		
4	2351163	Thermistor		
5	000001767	Water Dump Valve - 115V/60 Hz		[2]
6	2078103	Water Pump Electrical Wire Lead		
7	8706093	Female Wing Adapter - 0.375"		
8	1706021	Water Adapter, 1/2" NPT		
9		Bracket for Solenoid Support		[3]
10	6260314	Dump Valve Mounting Bracket		
11	110481	Water Drain Copper Tube Insert		
12		LH Corner Post Weldment		[3]
13		RH Corner Post Weldment		[3]
14	4080273	Expansion Valve Bulb Boot Neoprene		[4]
15	4080263	Expansion Valve Boot Neoprene		[4]
16	1360961	Male Connector		
17	4420383	Clear Tubing - 0.625" ID		
18	5650709	Snap Clamp - 0.799"/0.899" ID		
19	5650529	Clamp - Expansion Valve Bulb		
20	5650773	Worm Drive Clamp		
21	8503069	Mounting - Rubber Grommet		
22	8503949	Mounting - Sleeve		
23	5573099	Mounting - Flatwasher		
24	5545149	Lockwasher		
25	5475039	Locknut - 0.375" - 18 NPS		
26	5430029	Nut		[4]
27	5202069	Screw - #10-24 x 0.50" HEX		
28	5202059	Screw		

PART NOTES:

- [1] - (Danfoss)See Page 8 for 230V Applications
- [2] - See Page 8 for 230V Applications
- [3] - No Longer Available
- [4] - Discontinued

B0200

B0200 - REFRIGERATION COMPARTMENT - AIR-COOLED COMPONENTS



B0200

B0200 - REFRIGERATION COMPARTMENT - AIR-COOLED COMPONENTS

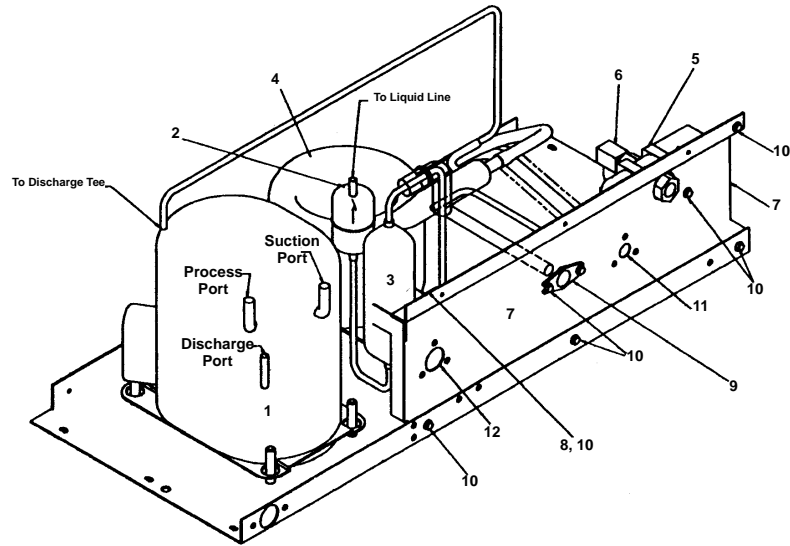
#	PART #	DESCRIPTION	QTY	Note
1		Compressor Assembly, 115V/60 Hz		[1]
1a	8504793	Overload		
2	8850853	Air Condenser		[2]
3	8930259	Drier		
4	2412873	Fan Motor - 115V/60 Hz		[3]
5	2416243	Fan Blade		
6		Fan Shroud		[1]
7	2001263	Fan Cycling Control - 200-250 psig		[4]
8		Bracket for Fan Motor		[1]
9		Fiber Washer		[1]
10	5475079	Speed Nut - 0.25" x 20		
11	5504269	Flatwasher #8		
12	5025599	Screw - #8-36 x 0.375"		
13	5202069	Screw - #10-24 x 0.50" HEX		
14	000001767	Water Dump Valve - 115V/60 Hz		
15	7000623	Dump Valve Shield		

PART NOTES:

- [1] - No Longer Available
- [2] - Discontinued
- [3] - See Page 8 for 230V Applications
- [4] - \pages from 200126_09.jpg" width=150 height=306>

B0200

B0200 - REFRIGERATION COMPARTMENT - WATER-COOLED COMPONENTS



Updated: 6/12

† Refer to Cross Reference Guide

B0200

B0200 - REFRIGERATION COMPARTMENT - WATER-COOLED COMPONENTS

#	PART #	DESCRIPTION	QTY	Note
1		Compressor Assembly, 115V/60 Hz		[1]
1a	8504793	Overload		
2	8930259	Drier		
3	000008892	Receiver		
4	8865313	Water-cooled Condenser		
5	8372069	Water Regulating Valve		
6	8305063	Water Coupling		
7		Coupling Mounting Panel		[2]
8	6000541	Receiver Strap		
9		Adapter, Condenser Drain		[2]
10	5202069	Screw - #10-24 x 0.50" HEX		
11	4302643	Plug - 0.625"		
12	4301923	Hole Plug for 1.0625" Hole		

PART NOTES:

- [1] - No Longer Available See Page 8 for 230V Applications
- [2] - No Longer Available

B0200

B0200 - PANELS

#	PART #	DESCRIPTION	QTY	Note
		COMMON		
1		Back Panel, Air-cooled		[1]
2		Back Panel, Water-cooled		[1]
3	6580419	Front Top Support		
4	7626863	Air Filter Bracket Kit		
5	4040123	Air Filter		[2]
6	5429109	Cage Nut to Mount Front Panel		
7		Accordion Panel Clip		[1]
8	3718199	O-ring		
8a	5573383	Washer		
9	5026689	Screw - 8-32 x 1.50"		
10	5202069	Screw - #10-24 x 0.50" HEX		
11	5202099	Screw - #10-24 x 0.50" PHIL		
12	5573389	Washer - Nylon 0.171" x 0.38"		
12a	9202509	Extruded Tape		
		FAWN		
13		Front Panel Assembly		[1]
14		Top Cover		[1]
15		LH Side Panel, Air-cooled		[1]
16		RH Side Panel, Air-cooled		[1]
17		RHLH Panel, Water-cooled		[1]
18		Air Baffle		[1]
		STAINLESS STEEL		
19		Front Panel Assembly		[1]
20		Top Cover		[1]
21	6009372	Side Panel LH, Air-cooled		[2]
22		RH Side Panel, Air-cooled		[1]
23		RH & LH Side Panel, Water-cooled		[1]
24	6009612	Air Baffle		[2]

PART NOTES:

- [1] - No Longer Available
- [2] - Discontinued

B0200

B0200 - ELECTRICAL APPLICATIONS

B0200

B0200 - ELECTRICAL APPLICATIONS

#	PART #	DESCRIPTION	QTY	Note
		All parts are the same as 115V Model with the following exceptions:		
		230V/50 Hz		
	2511003	7 Amp Fuse - Mounted on Control Board		
	2511053	0.100 Amp 50 Hz Mini Fuse		[1]
		Compressor		[2]
		Overload		[2]
		Start Relay		[2]
	8503723	Start Capacitor - 208-230V/50-60 Hz/1 Ph		
	2006599	Contactactor - 230V/50-60 Hz/1 Ph		
	000001768	Water Dump Valve - 208-230V/50-60 Hz		
	2412883	Fan Motor - 230V/50-60 Hz		[1]
	7626013	Water Pump - 230V/50-60 Hz		
		Terminal Block		[2]
	7630071	Danfoss Solenoid Valve With Coil - 208-230V/50-60 Hz		[3]
		230V/60 Hz		
	2511003	7 Amp Fuse - Mounted on Control Board		
	2511169	0.125 Amp 60 Hz Mini Fuse		
		Compressor		[2]
		Overload		[2]
		Start Relay		[2]
	8503723	Start Capacitor - 208-230V/50-60 Hz/1 Ph		
	2006599	Contactactor - 230V/50-60 Hz/1 Ph		
	000001768	Water Dump Valve - 208-230V/50-60 Hz		
	2412883	Fan Motor - 230V/50-60 Hz		[1]
	7626013	Water Pump - 230V/50-60 Hz		
	7630071	Danfoss Solenoid Valve With Coil - 208-230V/50-60 Hz		[3]

PART NOTES:

- [1] - Discontinued
- [2] - No Longer Available
- [3] - (Danfoss)