



Ice Machine Parts List for Series B0250 Models

BR0250A

BD0253W

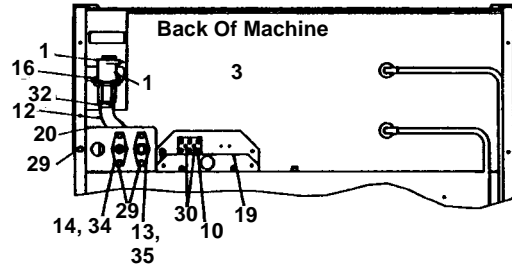
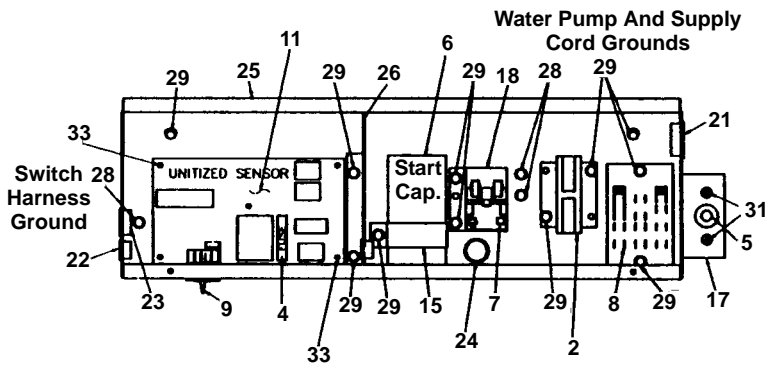
BR0251W

BY0254A

BD0252A

BY0255W

B0250 CONTROLS



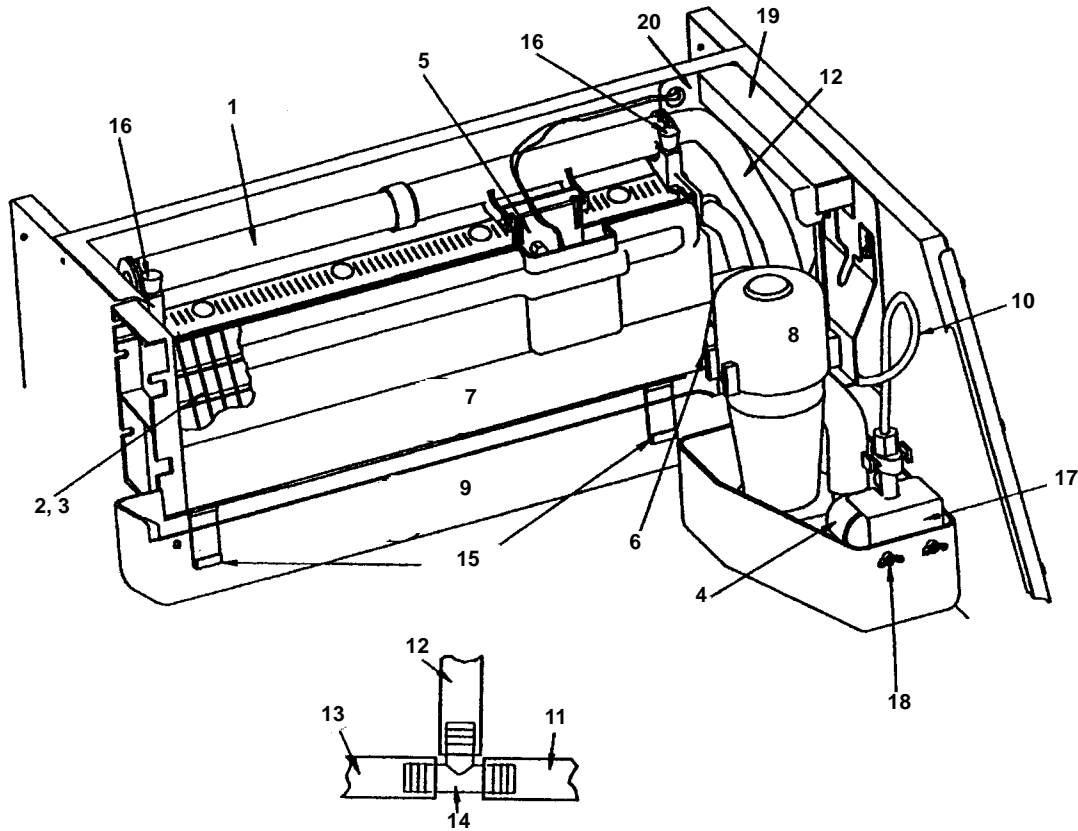
1361

DESCRIPTION

		PART NO.
1	Dump Valve, 115V	000001767
2	Contactors, 120V	† 2006589
3	Panel, Top Back	No Longer Available
4	Fuse for Control Board, 7 Amp	2511003
4a	Mini-fuse for Control Board, 0.125 Amp	† 2511169
5	High Pressure Cut-out	† 2355369
6	Start Capacitor	8503713
7	Start Relay	8503743
8	Terminal Board With Wiring Harness	No Longer Available
9	Toggle Switch With Wiring Harness	† 2031059
9a	Toggle Switch Only	2301343
10	Terminal Block, 230V	No Longer Available
11	Control Board (For use with all voltages)	† 7628003
12	Vinyl Tube, Molded	No Longer Available
13	Adapter, 1/2", Water Outlet	1706021
14	Adapter, Water Inlet	† 8706093
15	Bracket, Capacitor	No Longer Available
16	Bracket, Dump Valve	6260314
17	Bracket, High Pressure Control	No Longer Available
18	Bracket, Relay Mounting	No Longer Available
19	Bracket, Terminal Block, 230V	No Longer Available
20	Bracket, Water Fittings	No Longer Available
21	Bushing, 1.187"	† 2500019
22	Bushing, 0.625"	† 2500169
23	Bushing, 0.625"	2502183
24	Bushing, 0.875"	2501401
25	Control Box	No Longer Available
26	Control Board Shield	No Longer Available
27	Control Box Cover	No Longer Available
28	Screw, #10-24 x 1/2"	5201209
29	Screw, #10-24 x 1/2"	† 5202069
30	Screw, #6 x 3/4"	† 5121559
31	Screw, #8 x 3/4"	† 5121669
32	Snap Ring	5650703
33	Support	4302253
34	Union (Plastic)	1360961
35	Snap Ring	† 5650609

† Refer to Cross Reference Guide

B0250 EVAPORATOR



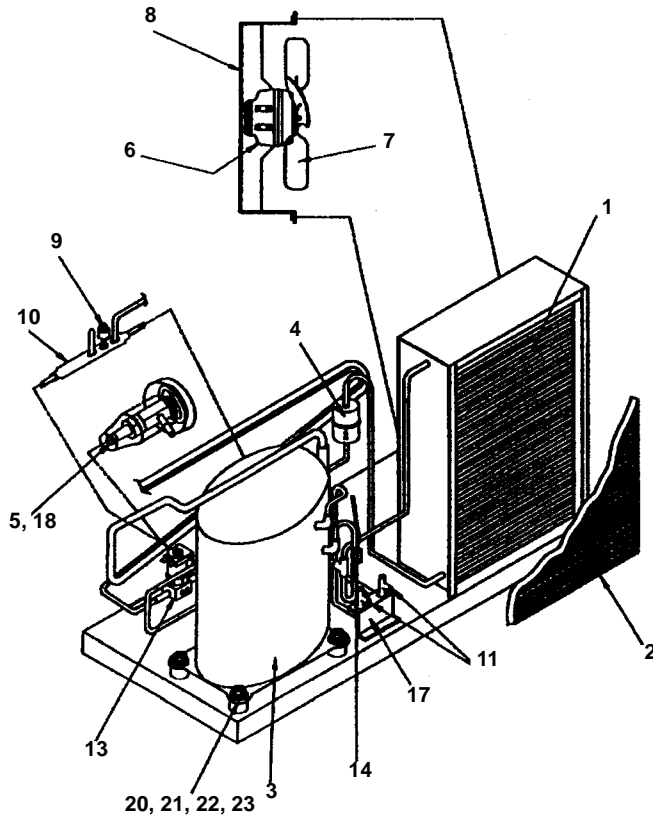
1362

DESCRIPTION

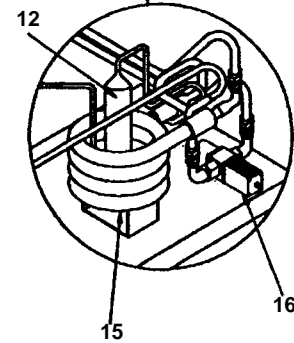
	PART NO.
1 Distribution Tube Assembly	† 7624983
2 Evaporator, Regular Cube	† 7625859
3 Evaporator, Dice Cube	† 7625849
3a Evaporator, Half Dice	† 7626589
4 Float Valve Assembly	† 8369049
5 Ice Thickness Control	† 7627813
6 Magnetic Bin Switch	† 2301483
7 Water Curtain	4004783
7a Water Curtain Hanger	7627763
7b Water Curtain Magnet And Clip	† 7628023
8 Water Pump	† 7623063
9 Water Trough	No Longer Available
10 Water Inlet Tubing	4420291
11 Vinyl Tube to Dump Valve	† 4420383
12 Molded Discharge Tube	4420963
13 Molded Reducer Elbow	† 4421013
14 Barbed Tee	8391033
15 Clip Water Trough (Plastic)	4408703
15a Bracket For Water Trough (Metal)	No Longer Available
16 Thumbscrew	† 5000013
17 Bracket for Float Valve	000000136
18 Wing Nuts	† 5489139
19 Channel, Pump Cord	No Longer Available
20 Shield, Liner	No Longer Available
21 Evaporator Gasket/Top Molding Assembly (Not shown)	7626213

† Refer to Cross Reference Guide

B0250 COMPRESSOR COMPARTMENT



Water-cooled Model



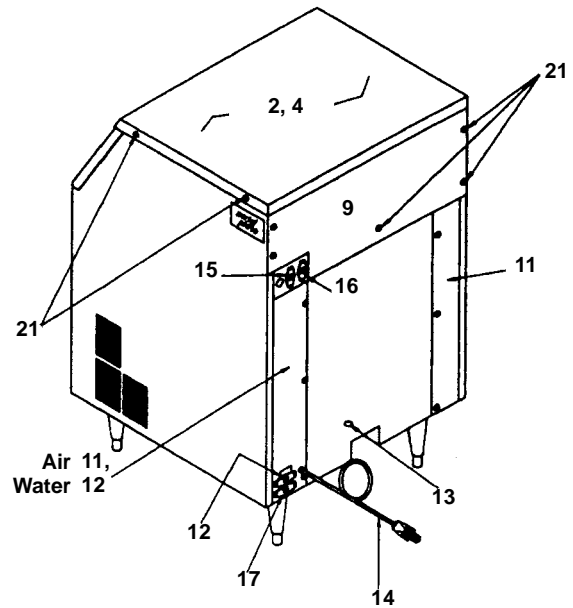
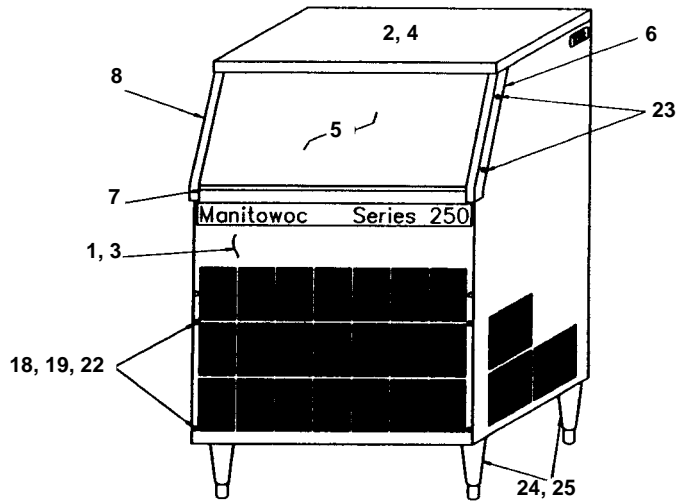
1363

DESCRIPTION

	PART NO.
1 Air Condenser.....	No Longer Available
2 Air EZK Filter	4040103
3 Compressor, 115V	No Longer Available
3a Compressor Overload.....	† 8504793
4 Drier	† 8930259
5 Expansion Valve.....	† 7625833
6 Fan Motor	† 2412813
7 Fan Blade	2416223
8 Fan Motor Bracket	6887814
9 Fan Cycling Control	† 2001263
10 Manifold Strainer.....	8310163
11 Process Valve.....	† 8373109
12 Receiver	00008892
13 Solenoid Valve 115V / 60 Hz (Danfoss)	† 7630011
14 Thermistor.....	2351163
15 Water Condenser	† 8865313
16 Water Regulating Valve	8372103
17 Bracket for Valve Mounting.....	6008191
18 Neoprene TXV Boot	4080263
19 Neoprene Bulb Boot	4080273
20 Rubber Grommet	† 8503069
21 Sleeve.....	† 8503949
22 Flatwasher	† 5573099
23 Hex Nut.....	† 5430029

† Refer to Cross Reference Guide

B0250 PANELS



1364

FAWN

	PART NO.
1 Front Panel Assembly	No Longer Available
2 Top Cover	No Longer Available

STAINLESS STEEL

3 Front Panel Assembly	7625823
4 Top Cover	No Longer Available

COMMON

5 Bin Door	4500103
6 RH Door Glide	4302553
7 Trim, Door Opening	No Longer Available
8 LH Door Glide	4302543
9 Top Back Panel, Air	No Longer Available
10 Back Panel	No Longer Available
11 Cover, Channel	No Longer Available
12 Cover, Water Fittings	No Longer Available
13 Bin Drain Seal	7623223
14 Power Cord	2030673
15 Water Inlet Adapter	† 8706093
16 Water Outlet Adapter	1706021
17 Water Condenser Adapter	8706103
18 Screw, #8-32 x 1/2" Phil.	† 5026249
19 Cagenut for Front Panel Screw	† 5429109
20 Screw, #8-15 x 0.50"	No Longer Available
21 Screw, #10-24 x 1/2"	† 5202069
22 Washer, Flat Nylon	† 5573389
23 Screw, #10-24 x 0.50"	† 5202099
24 Legs - for Fawn Machine	3302494
25 Legs - Stainless Steel Machine	3302513

† Refer to Cross Reference Guide

B0250 ELECTRICAL APPLICATIONS

All parts are the same as 115V Model with the following exceptions:

230V/60 Hz	PART NO.
Compressor	No Longer Available
Start Capacitor	8503723
Start Relay	No Longer Available
Overload	No Longer Available
Dump Valve, 208-230V	000001768
Solenoid Valve 208-230V/50-60 Hz (Danfoss)	† 7630071
Contactors	† 2006599
Fan Motor	† 2412823
Fuse for Control Board, 7 Amp	2511003
Mini-fuse for Control Board, 125 Amp	† 2511169
Terminal Block	No Longer Available
Water Pump	† 7626013
230V/50 Hz	
Compressor	No Longer Available
Start Capacitor	8503723
Start Relay	No Longer Available
Overload	No Longer Available
Dump Valve, 208-230V	000001768
Solenoid Valve 208-230V/50-60 Hz (Danfoss)	† 7630071
Contactors	† 2006599
Fan Motor	† 2412823
Water Pump	† 7626013
Hex Nipple 0.75 x 0.75	8700373
Hex Nipple 0.75 x 0.38	8700393
Fuse for Control Board, 7 Amp	2511003
Mini-fuse for Control Board, 0.1 Amp	2511053

† Refer to Cross Reference Guide